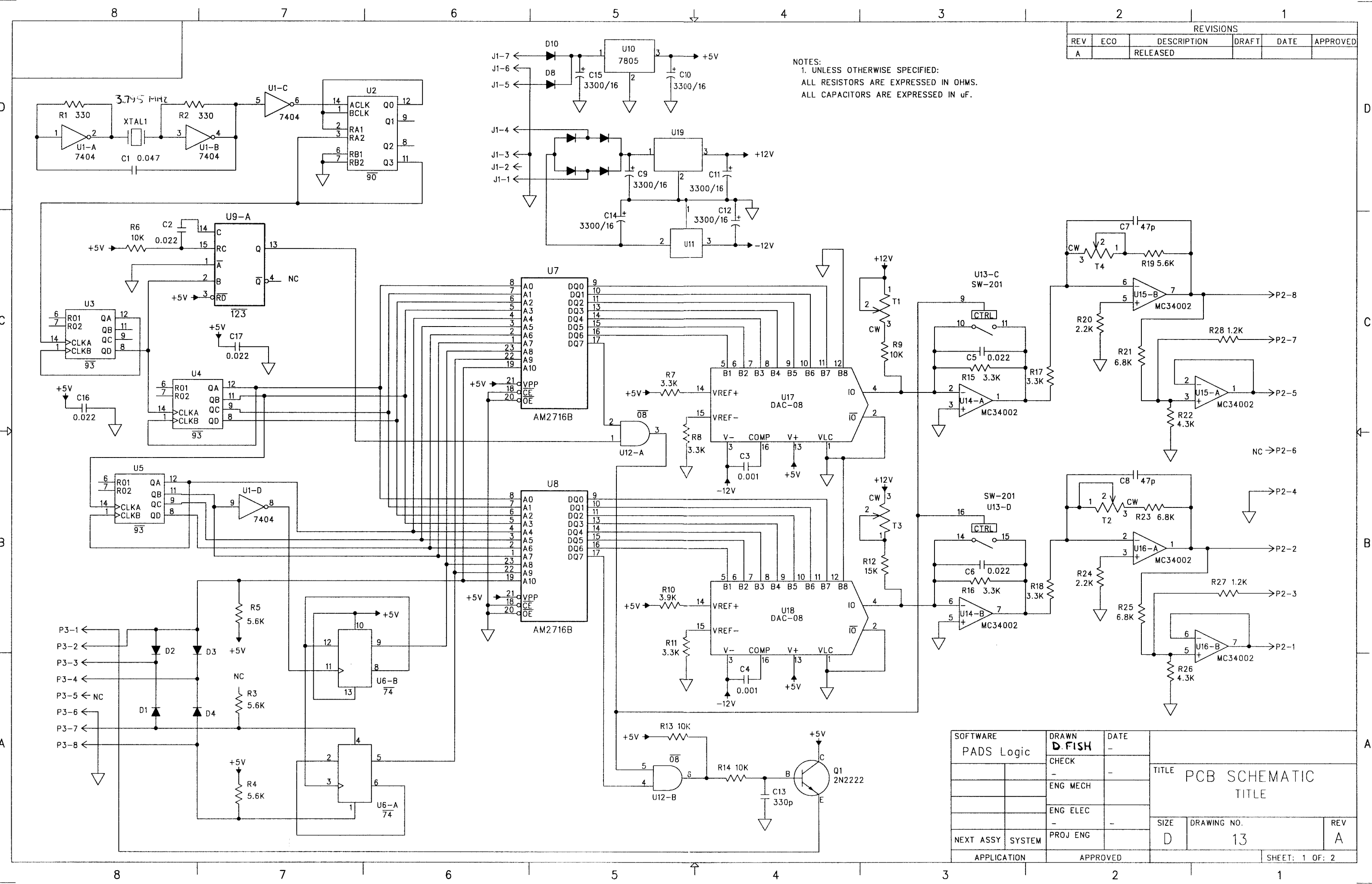
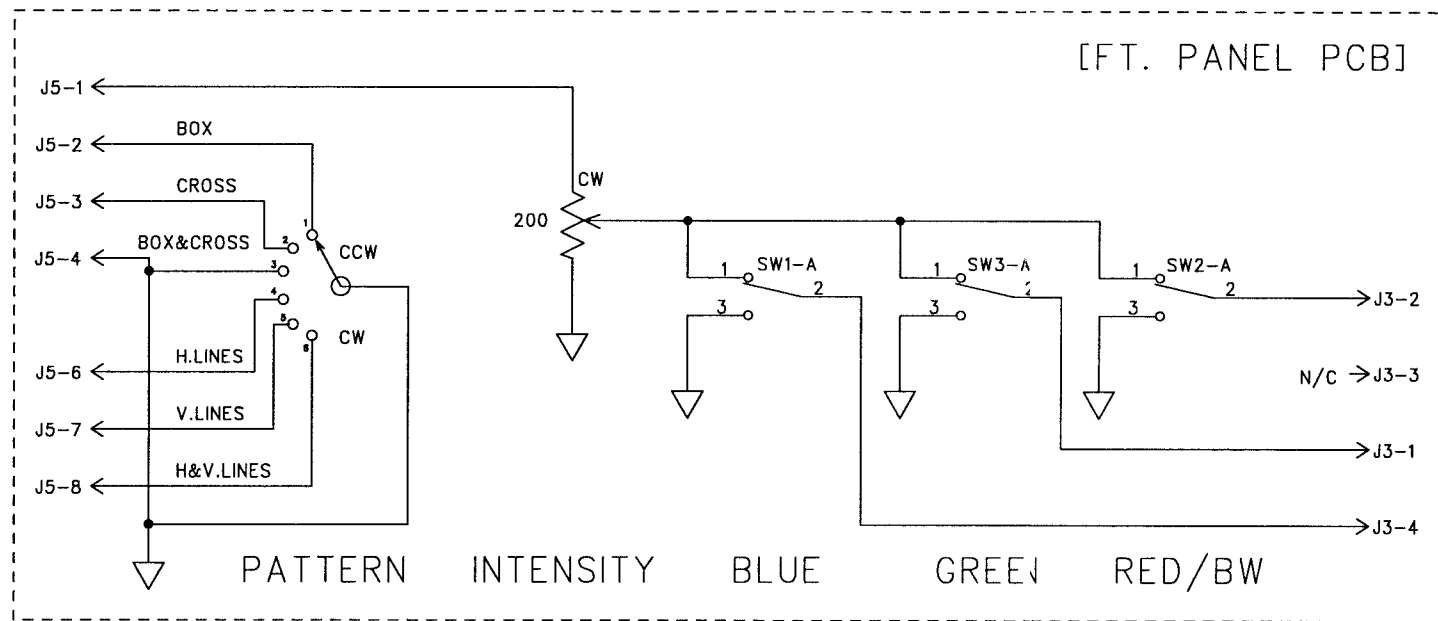
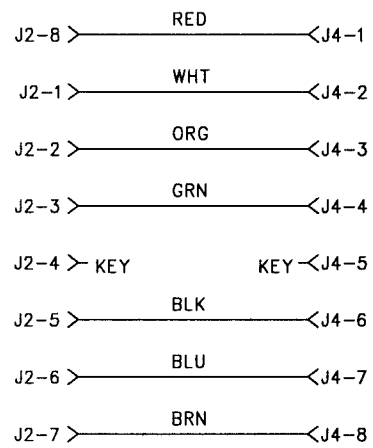
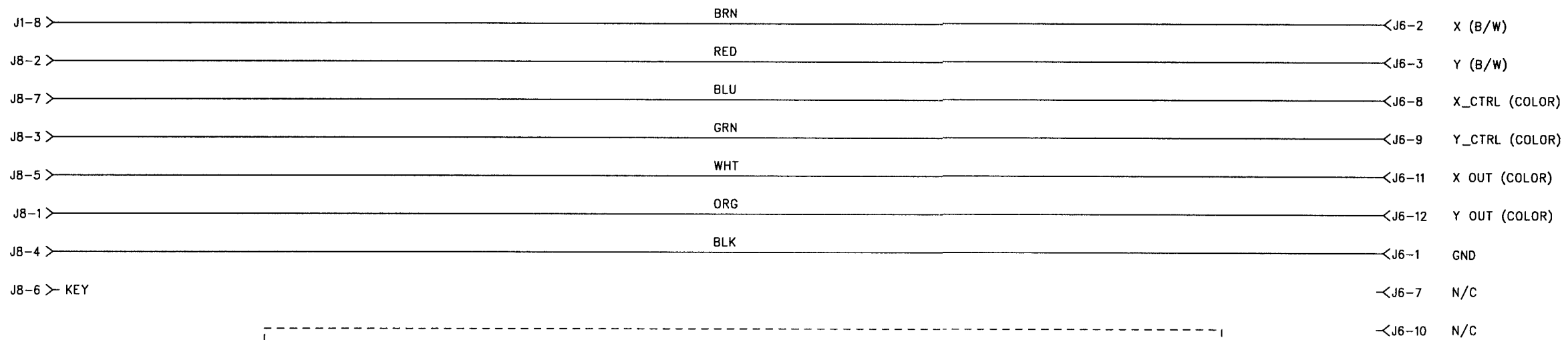
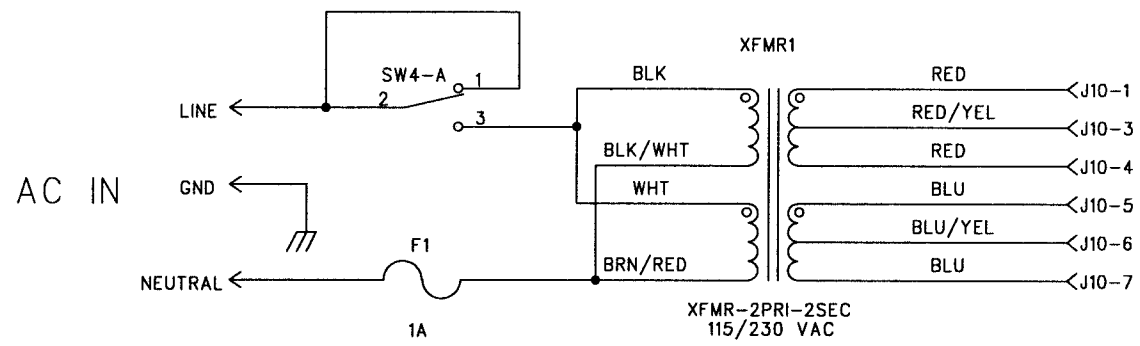


REVISIONS					
REV	ECO	DESCRIPTION	DRAFT	DATE	APPROVED
A		RELEASED			

NOTES:  
 1. UNLESS OTHERWISE SPECIFIED:  
 ALL RESISTORS ARE EXPRESSED IN OHMS.  
 ALL CAPACITORS ARE EXPRESSED IN uF.



SOFTWARE PADS Logic	DRAWN <b>D. FISH</b>	DATE -	TITLE <b>PCB SCHEMATIC</b> TITLE
	CHECK -		
	ENG MECH -		
	ENG ELEC -		
NEXT ASSY SYSTEM	PROJ ENG -		SIZE D
			DRAWING NO. 13
			REV A
APPLICATION	APPROVED		SHEET: 1 OF: 2



TITLE		
PCB SCHEMATIC, TITLE		
SIZE	DRAWING NO.	REV
D	13	A
SHEET: 2 OF 2		