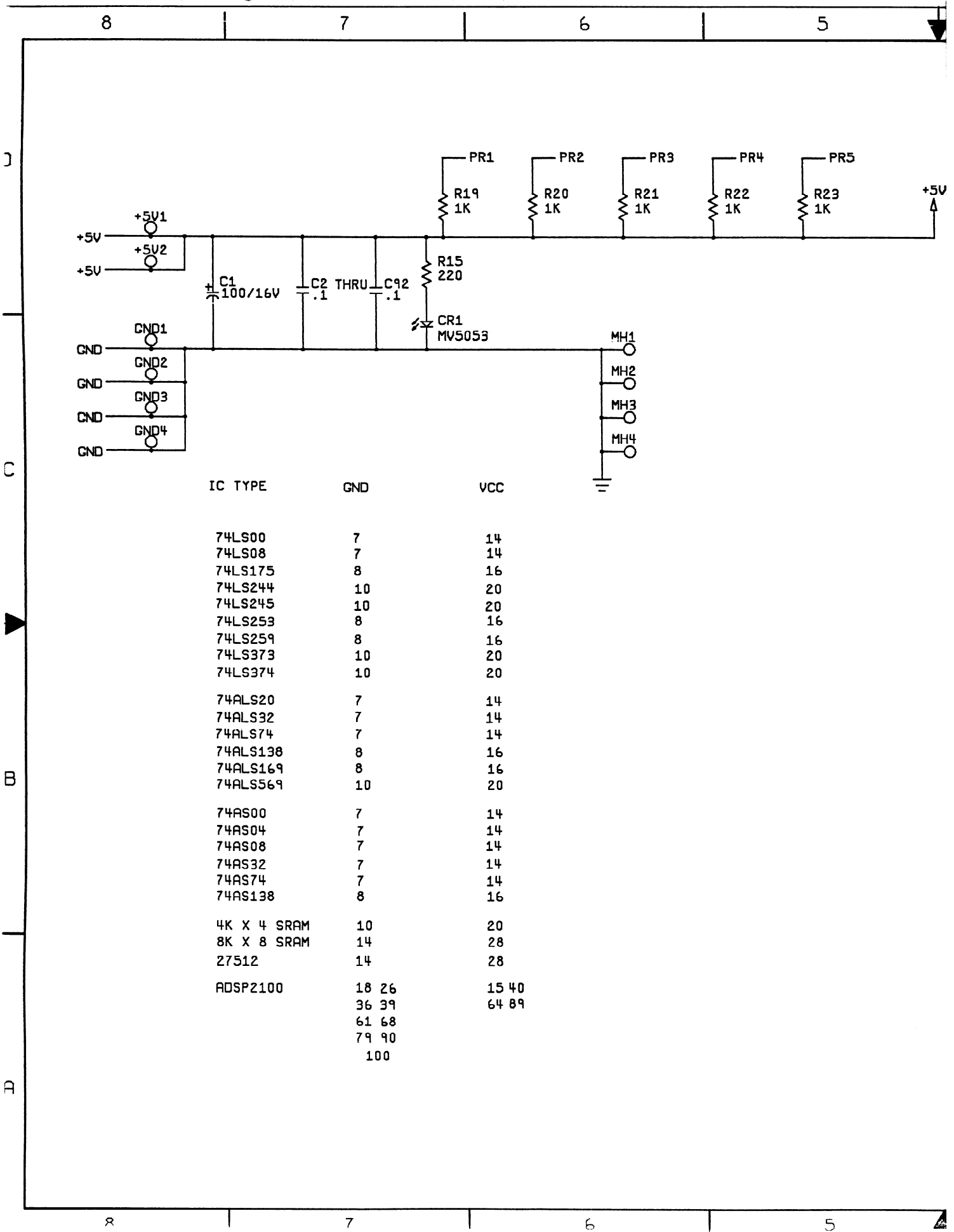
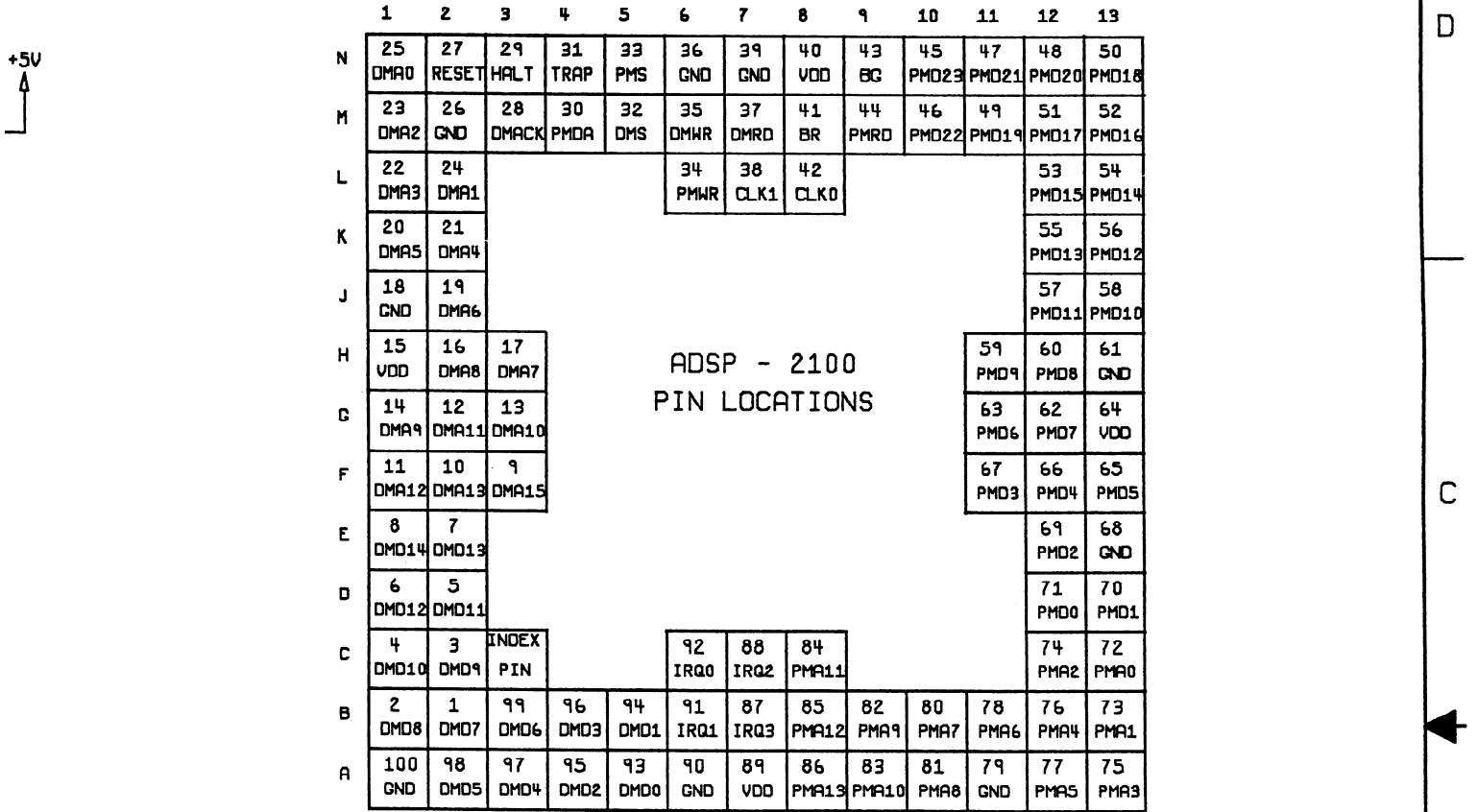


PROG

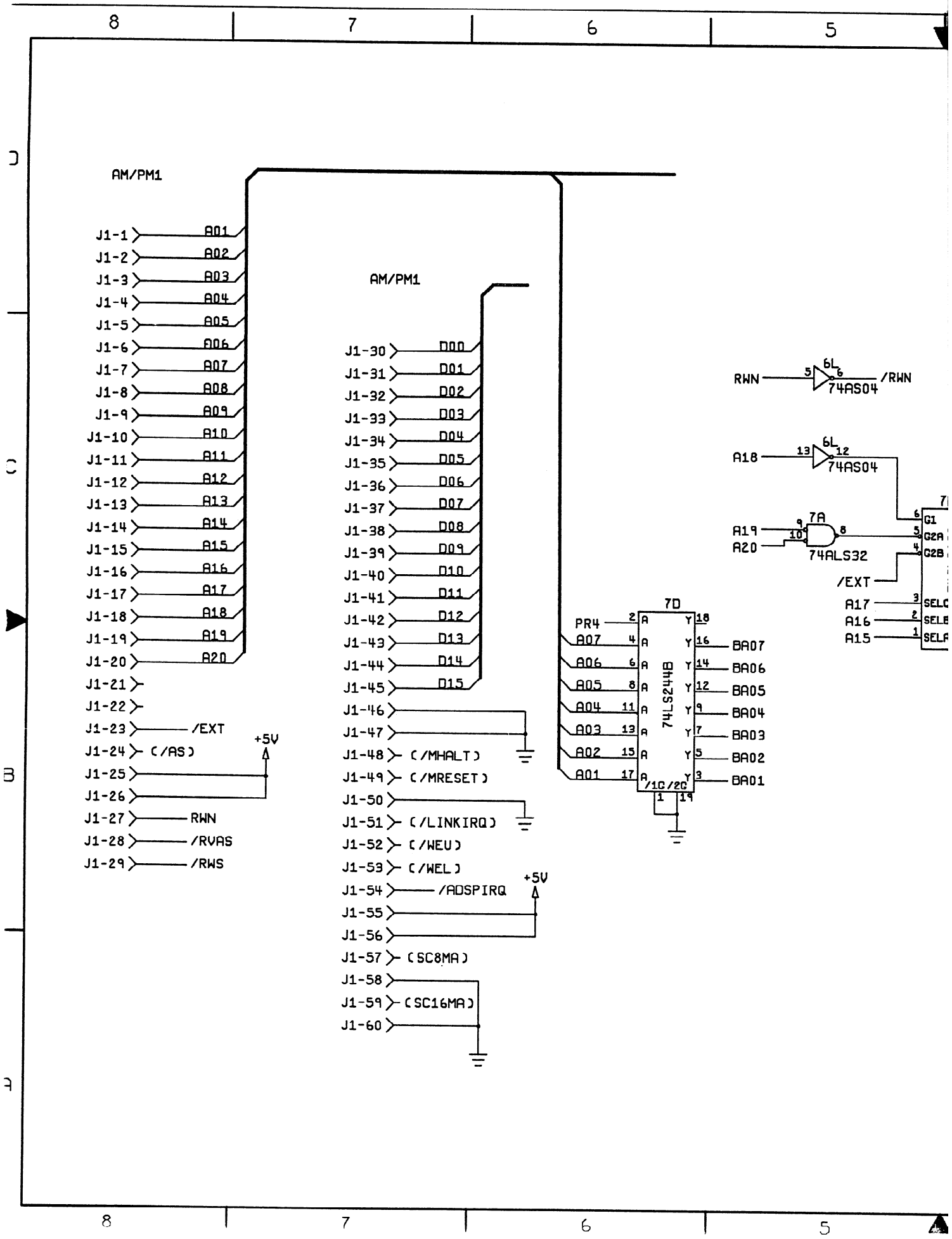


REVISIONS				
SYM	DESCRIPTION	DATE	INCORP	CHECK APPROVED
A	PRODUCTION RELEASE	7-18 1988	GRP	R.L. Jm R



BOTTOM VIEW  
(PINS UP)

<b>DO NOT SCALE DRAWING</b> UNLESS OTHERWISE SPECIFIED DIMENSIONS ARE IN INCHES TOLERANCES ON: ANGLES ± 1° .XX ± .01 .XXX ± .003		DRAWN BY: G POPKIN DATE: 7-18-88 CHECKED BY: [Signature] DATE: 8-2-88 ENGR, ELEC: [Signature] DATE: 8-2-88 PROJ ENGR: [Signature] DATE: 8-3-88	<b>ATARI</b> ATARI GAMES CORP. 675 SYCAMORE DRIVE MILPITAS, CA. 95035
A044421-21 DRIVING SIMULATOR NEXT ASSY FIRST USED ON	MATERIAL: SEE PL A044421-01 A044421-21	FINISH:	TITLE: <b>SCHEMATIC DRIVER ADSP</b>
NOTICE TO ALL PERSONS RECEIVING THIS DRAWING CONFIDENTIAL: REPRODUCTION FORBIDDEN WITHOUT THE SPECIFIC WRITTEN PERMISSION OF ATARI GAMES CORPORATION, MILPITAS, CA. THIS DRAWING IS ONLY CONDITIONALLY ISSUED, AND NEITHER RECEIPT NOR POSSESSION THEREOF CONFERES OR TRANSFERS ANY RIGHT OR LICENSE TO USE, THE SUBJECT MATTER OF THE DRAWING OR ANY DESIGN OR TECHNOLOGY SUPERSEDED BY THIS DRAWING. NO PART SHOULD BE REPRODUCED OR TRANSMITTED IN ANY FORM OR BY ANY MEANS, ELECTRONIC OR MECHANICAL, INCLUDING PHOTOCOPYING, RECORDING, OR BY ANY INFORMATION STORAGE AND RETRIEVAL SYSTEM, WITHOUT PERMISSION FROM THE CORPORATION. UNDER THE CORPORATION'S WRITTEN LICENSE, NO RIGHT IS GRANTED TO REPRODUCE THIS DRAWING OR THE SUBJECT MATTER THEREOF, UNLESS BY WRITTEN PERMISSION FROM THE CORPORATION.			SIZE: D DRAWING NO.: A044421 REV: A
SCALE: NONE			SHEET 1 OF 9



AM/PM1

- J1-1 > A01
- J1-2 > A02
- J1-3 > A03
- J1-4 > A04
- J1-5 > A05
- J1-6 > A06
- J1-7 > A07
- J1-8 > A08
- J1-9 > A09
- J1-10 > A10
- J1-11 > A11
- J1-12 > A12
- J1-13 > A13
- J1-14 > A14
- J1-15 > A15
- J1-16 > A16
- J1-17 > A17
- J1-18 > A18
- J1-19 > A19
- J1-20 > A20
- J1-21 >
- J1-22 >
- J1-23 > /EXT
- J1-24 > (/AS)
- J1-25 >
- J1-26 >
- J1-27 > RWN
- J1-28 > /RVAS
- J1-29 > /RWS

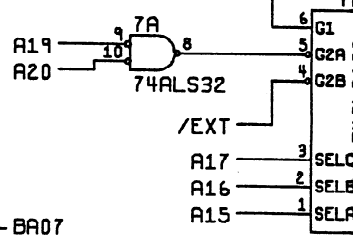
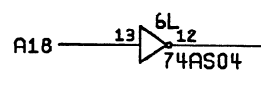
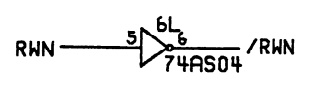
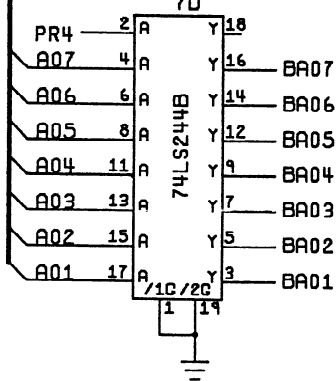
+5V

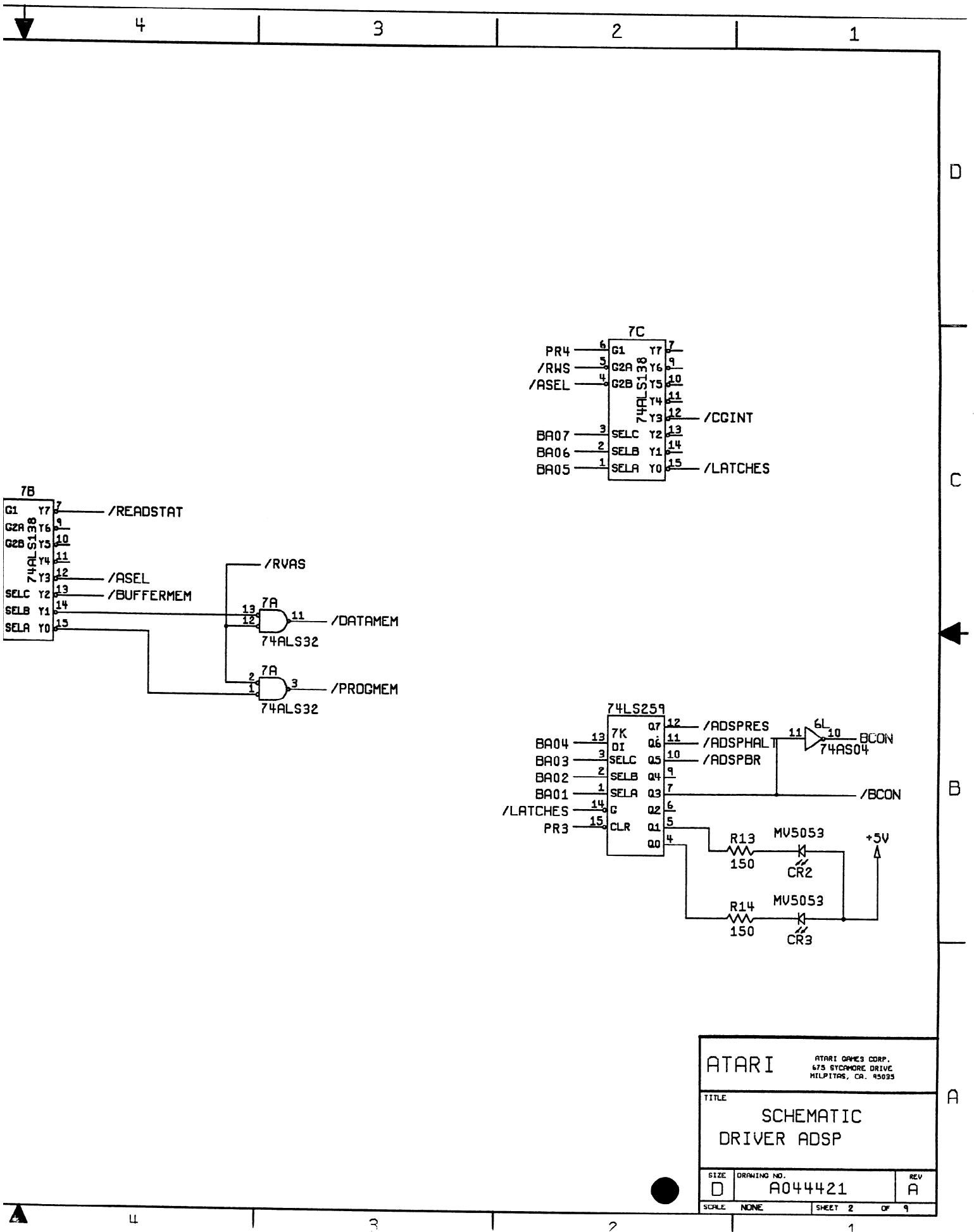
AM/PM1

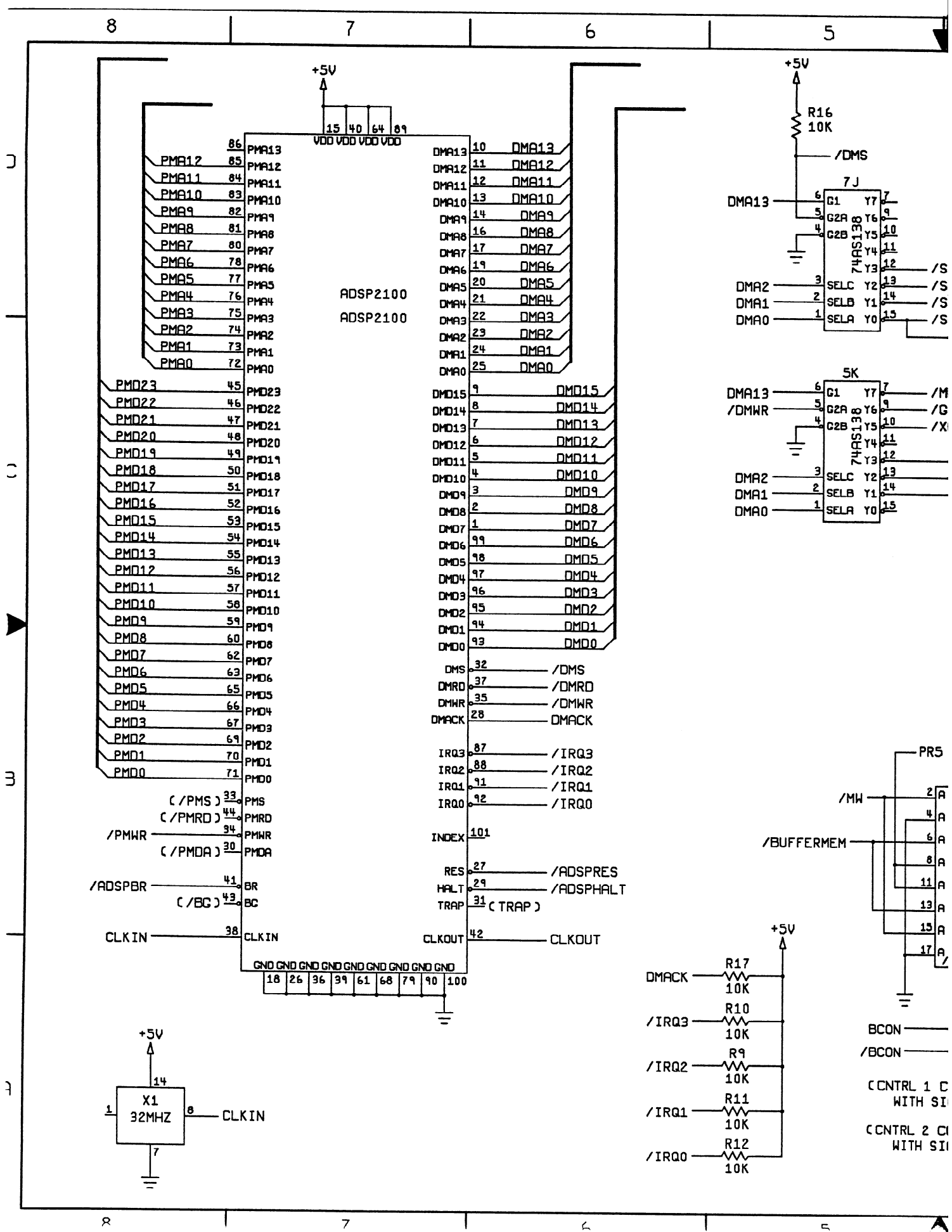
- J1-30 > D00
- J1-31 > D01
- J1-32 > D02
- J1-33 > D03
- J1-34 > D04
- J1-35 > D05
- J1-36 > D06
- J1-37 > D07
- J1-38 > D08
- J1-39 > D09
- J1-40 > D10
- J1-41 > D11
- J1-42 > D12
- J1-43 > D13
- J1-44 > D14
- J1-45 > D15
- J1-46 >
- J1-47 >
- J1-48 > (/MHALT)
- J1-49 > (/MRESET)
- J1-50 >
- J1-51 > (/LINKIRQ)
- J1-52 > (/WEU)
- J1-53 > (/WEL)
- J1-54 > /ADSPIRQ
- J1-55 >
- J1-56 >
- J1-57 > (SC8MA)
- J1-58 >
- J1-59 > (SC16MA)
- J1-60 >

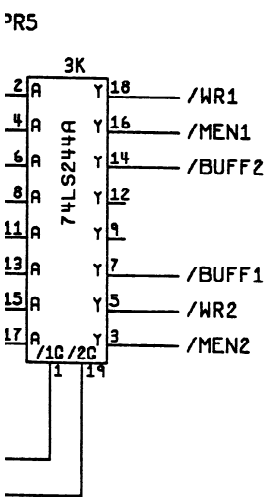
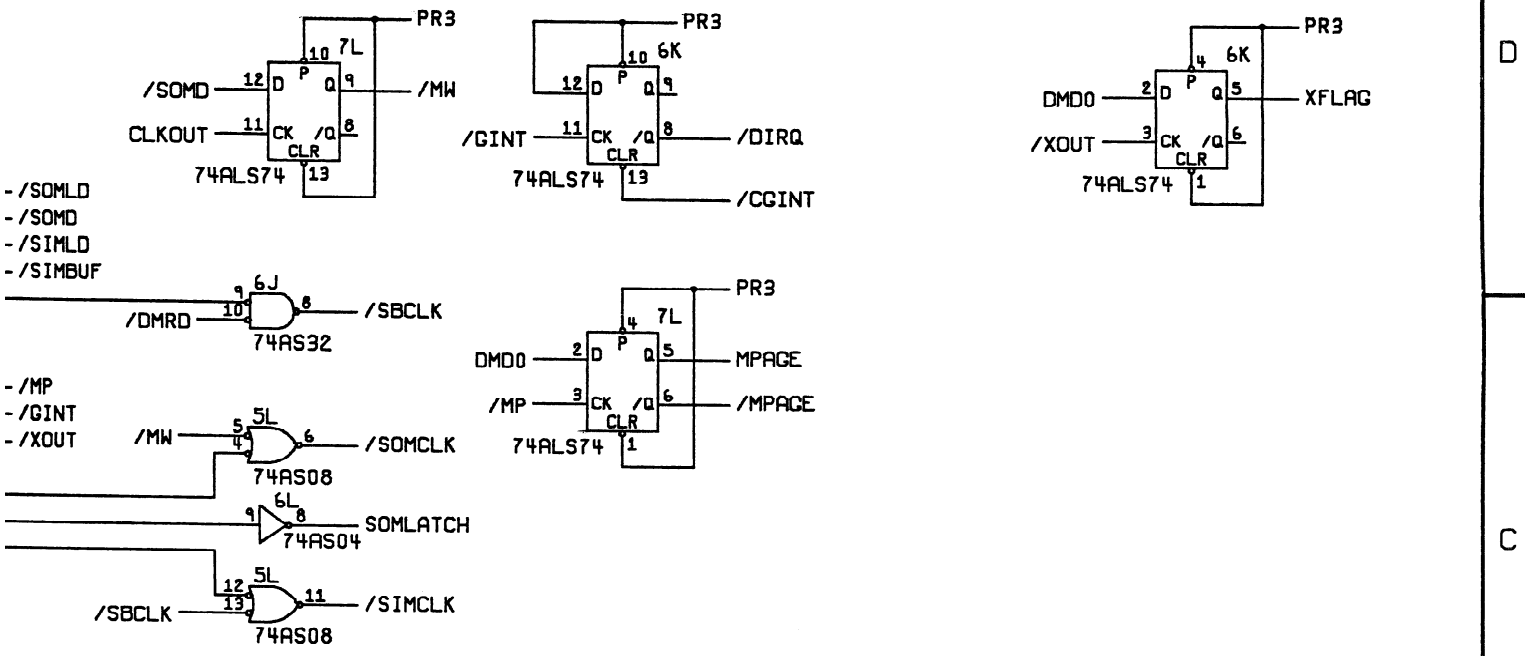
+5V

7D



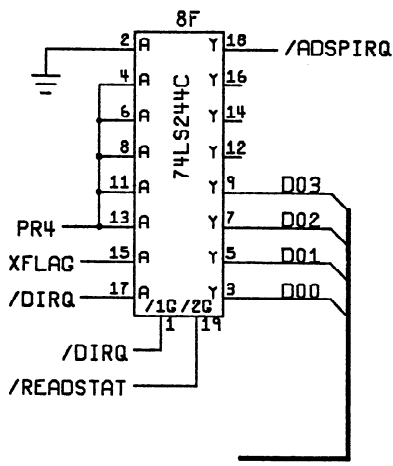






1 CONNECTED ONLY  
 (SIGS /WR1 /MEN1 AND /BUFF2)

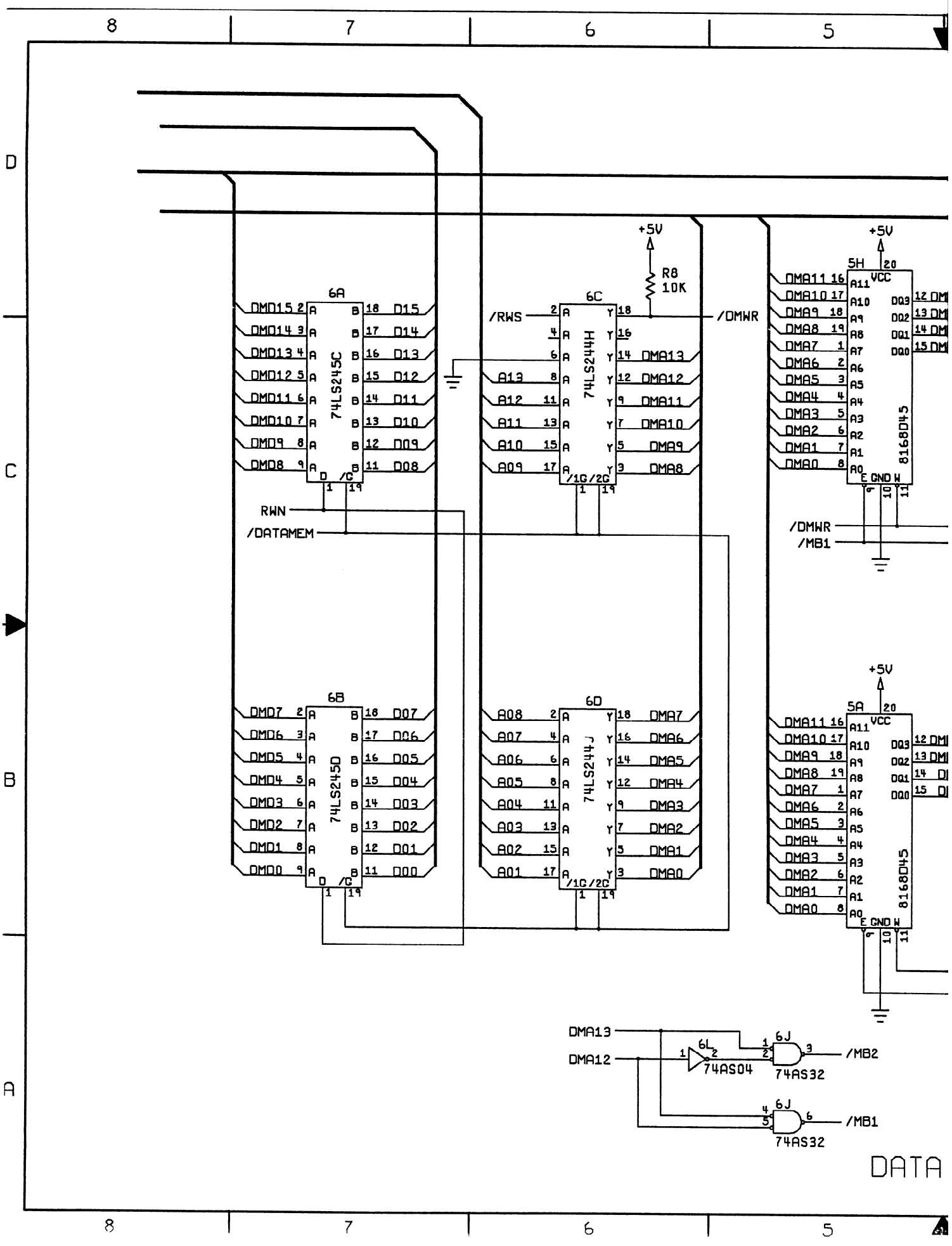
2 CONNECTED ONLY  
 (SIGS /WR2 /MEN2 AND /BUFF1)



(CONTROL 1 CONNECTED ONLY WITH SIGNAL /ADSPIRQ  
 (CONTROL 2 CONNECTED ONLY WITH SIGNALS D00 THRU D03)

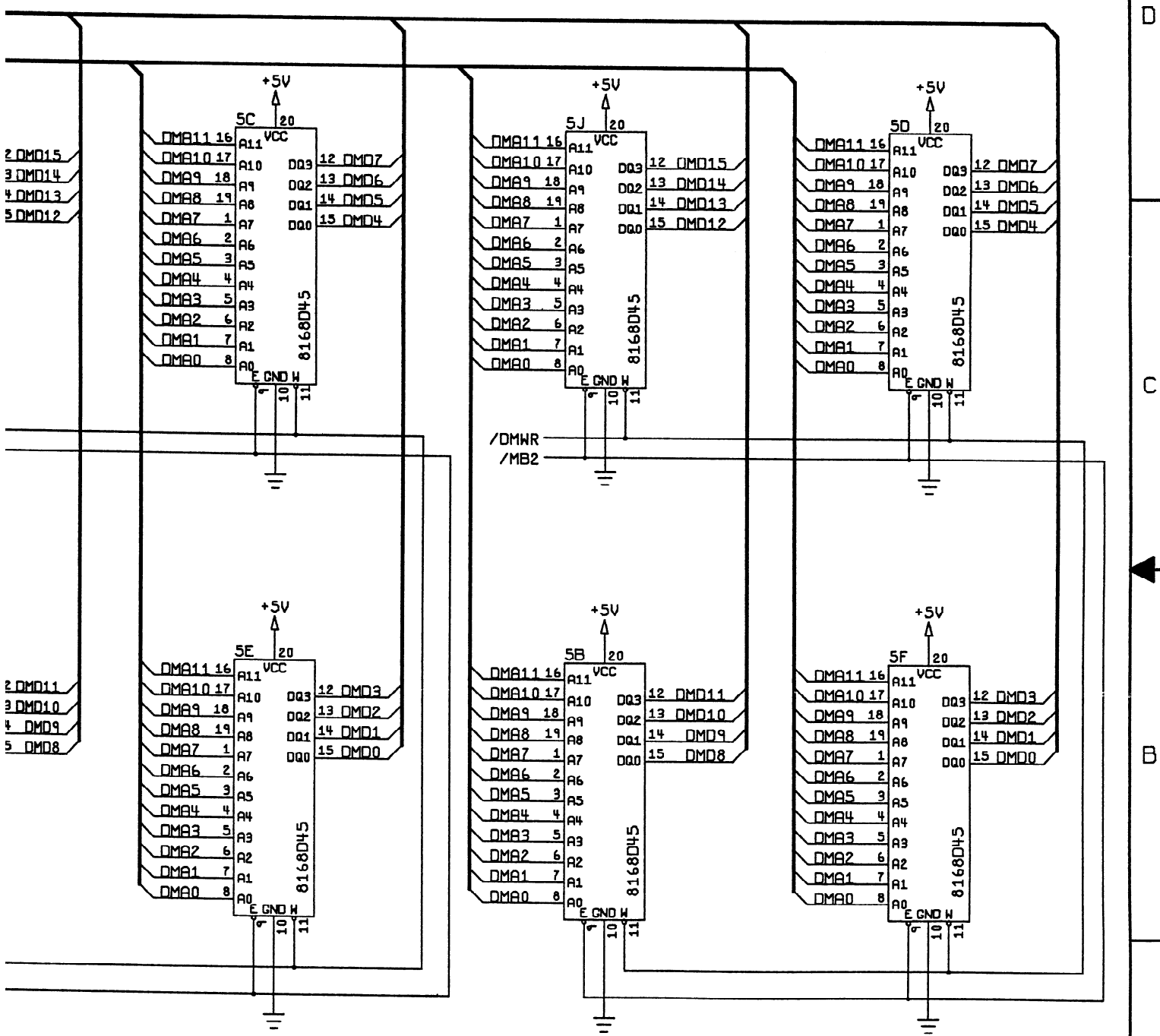
XTAL OSC

ATARI		ATARI GAMES CORP. 673 SYCAMORE DRIVE MILPITAS, CA. 95035	
TITLE			
SCHEMATIC DRIVER ADSP			
SIZE	DRAWING NO.	REV	
D	A044421	A	
SCALE	NONE	SHEET 3	OF 9



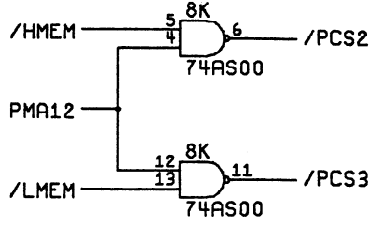
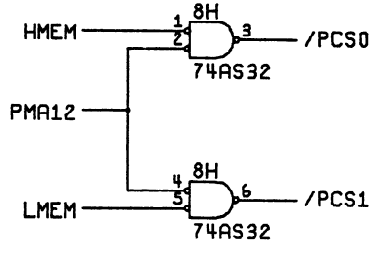
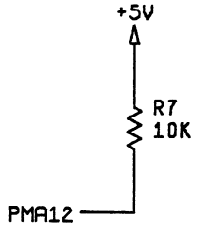
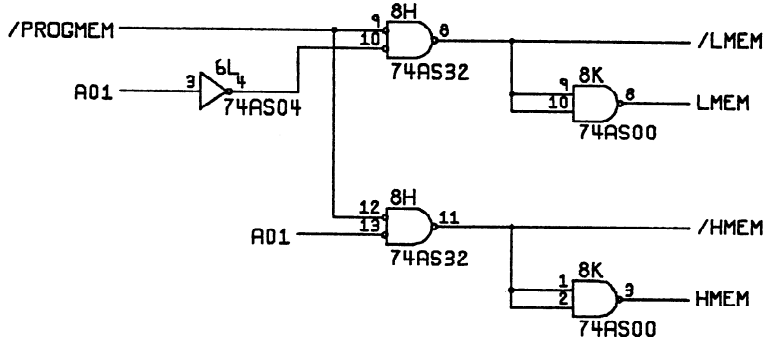
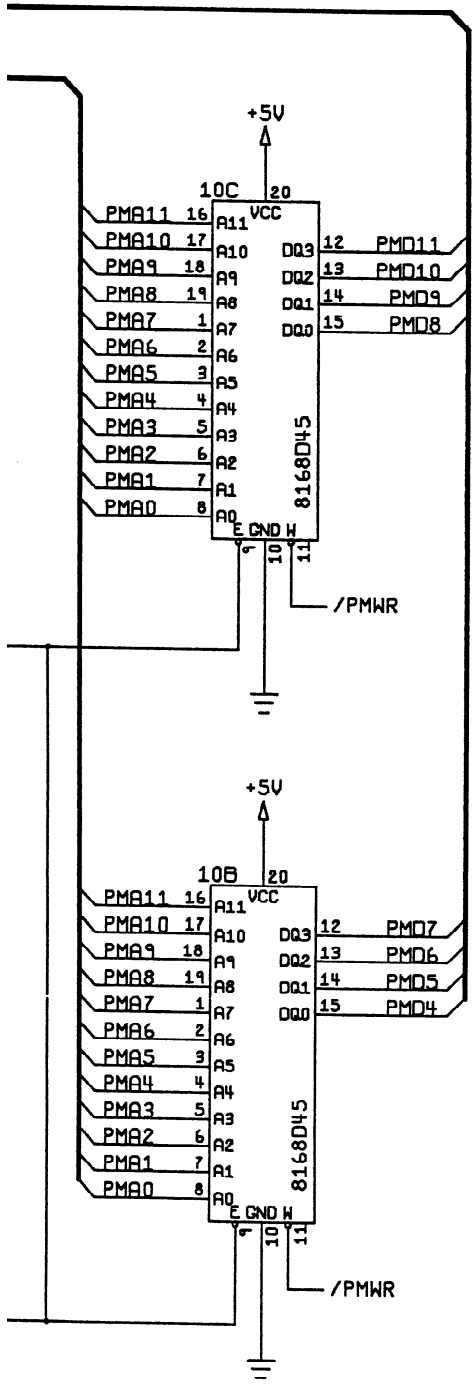
DATA





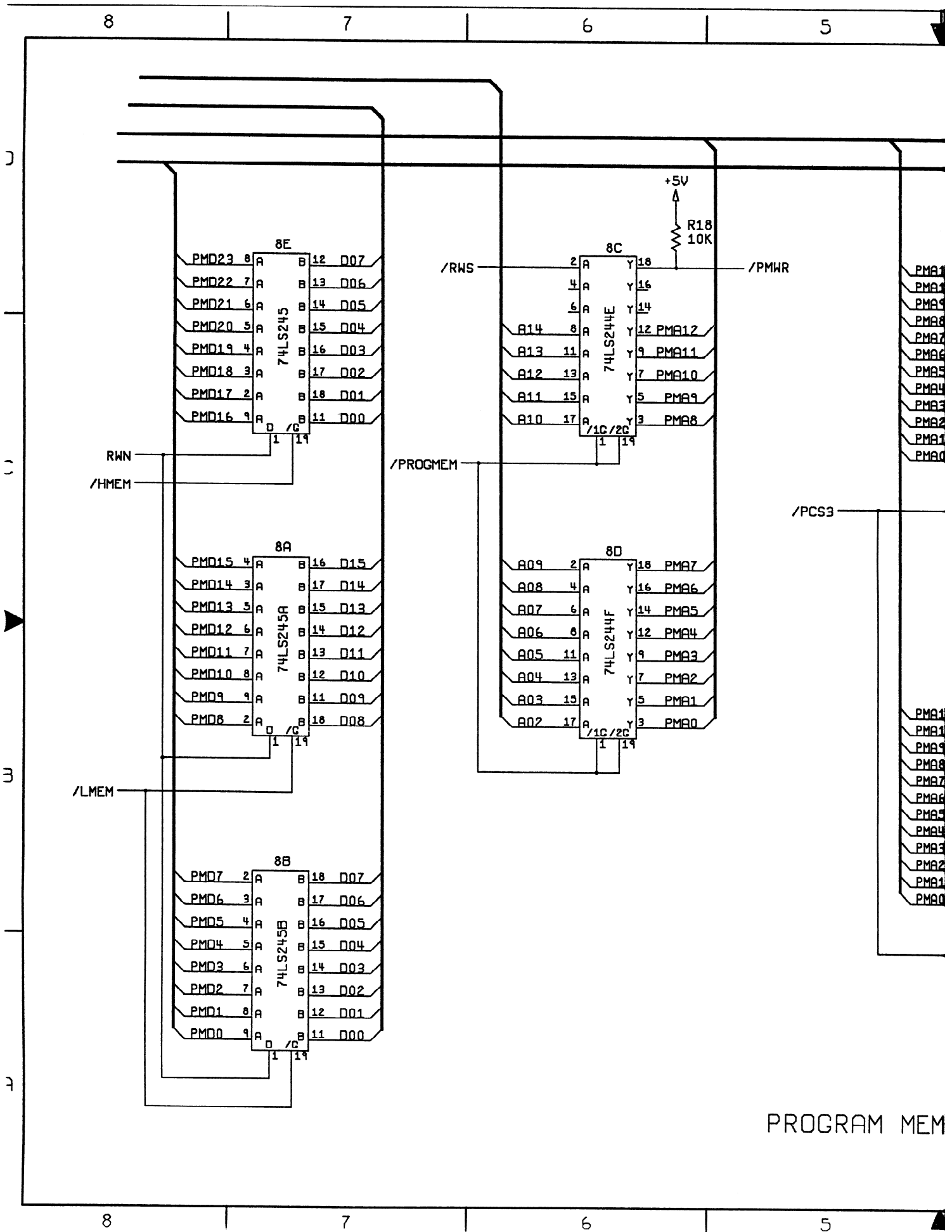
A MEMORY

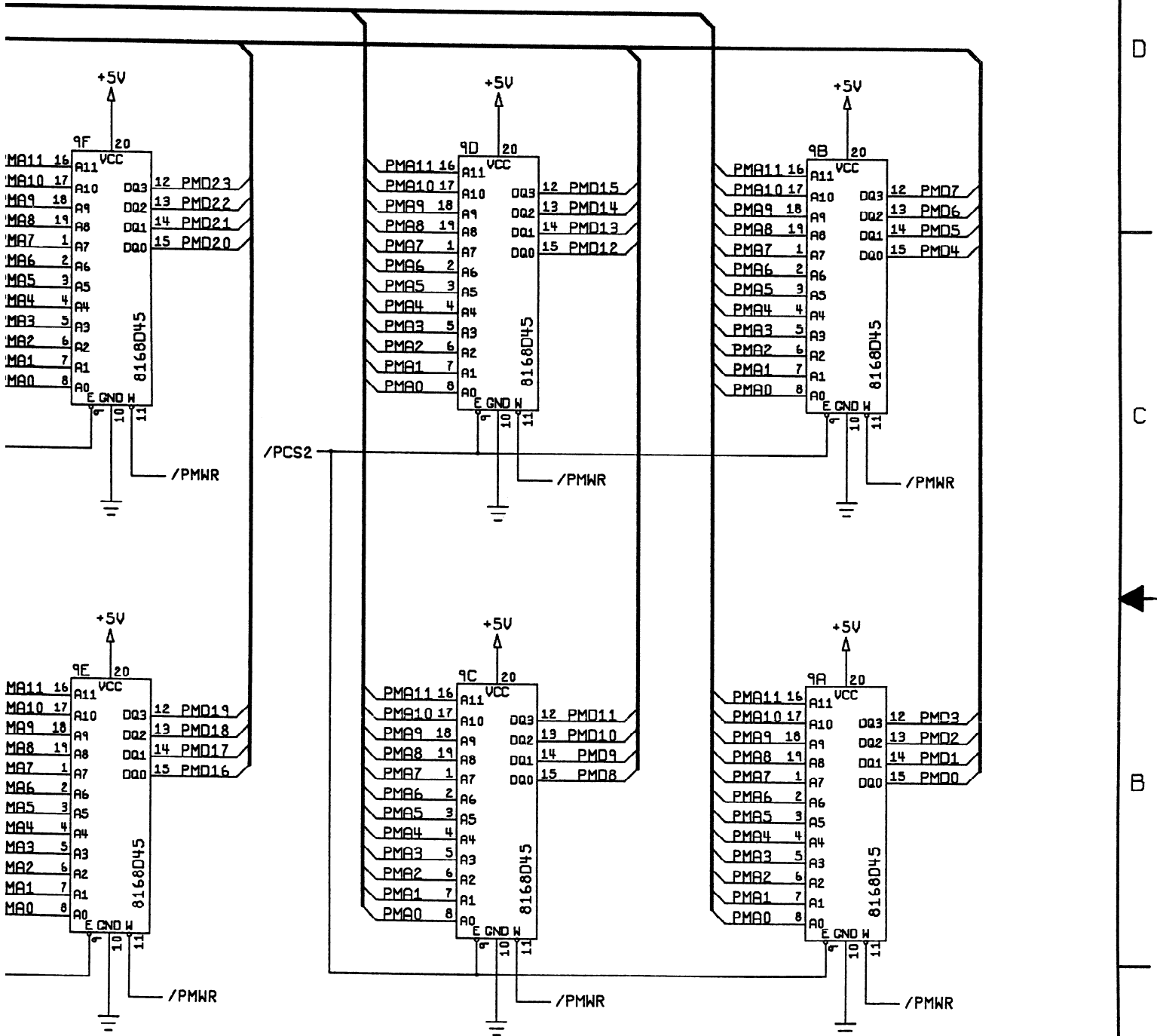
ATARI		ATARI GAMES CORP. 675 SYCAMORE DRIVE MILPITAS, CA. 95035	
TITLE			
SCHEMATIC DRIVER ADSP			
SIZE	DRAWING NO.	REV	
D	A044421	A	
SCALE	NONE	SHEET 4	OF 9



JGRAM MEMORY

ATARI		ATARI GAMES CORP. 675 STANFORD DRIVE MILPITAS, CA. 95035	
TITLE SCHEMATIC DRIVER ADSP			
SIZE D	DRAWING NO. A044421	REV A	
SCALE NONE	SHEET 5	OF 9	

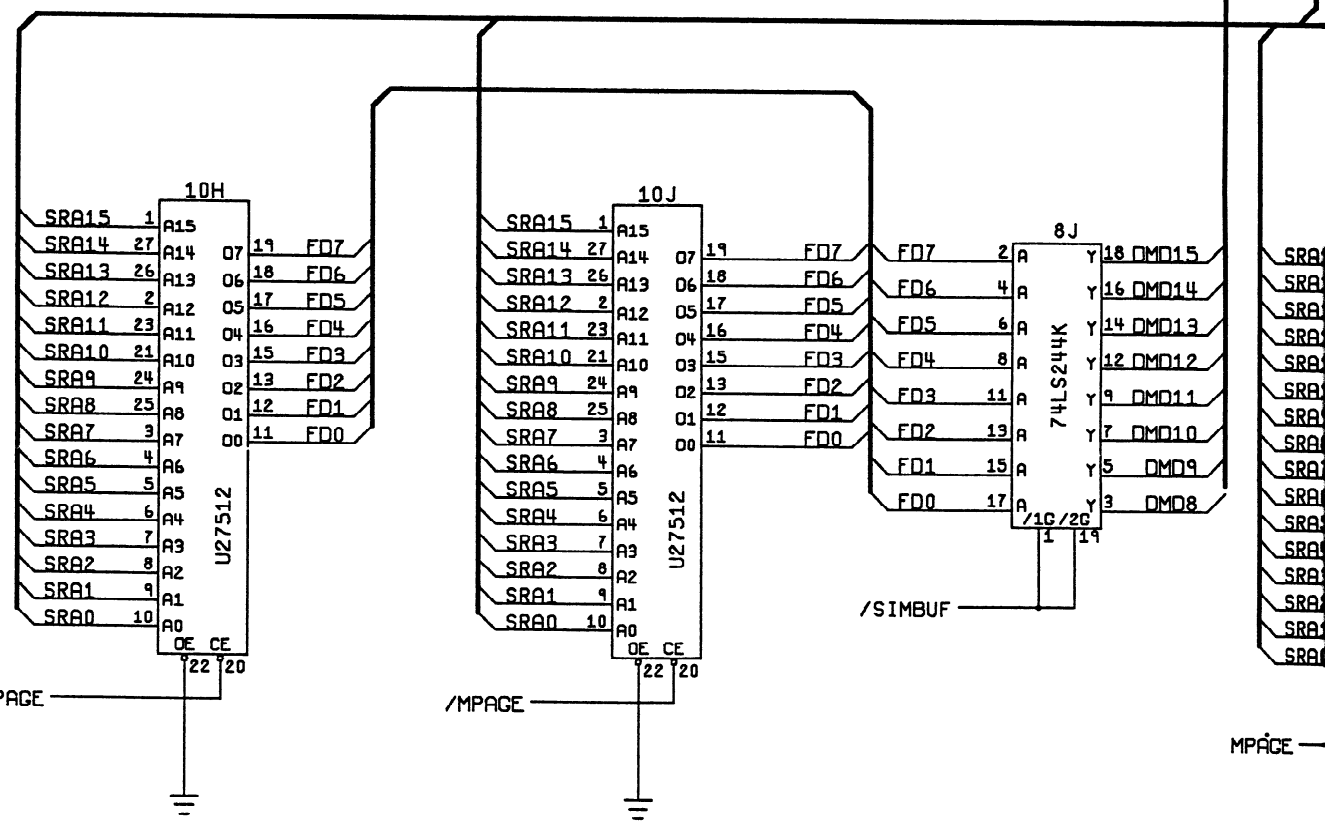
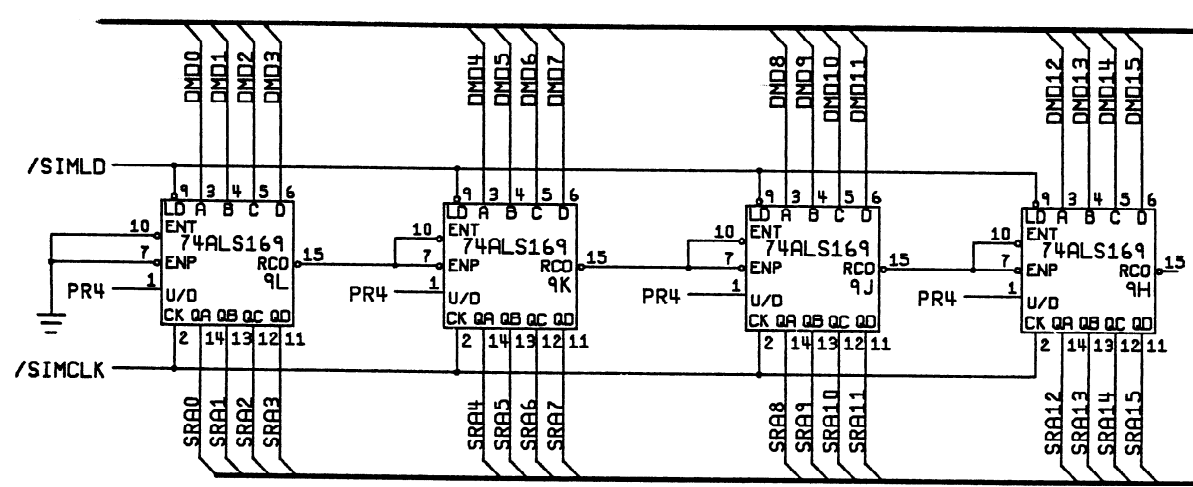




MEMORY /BUFFERS

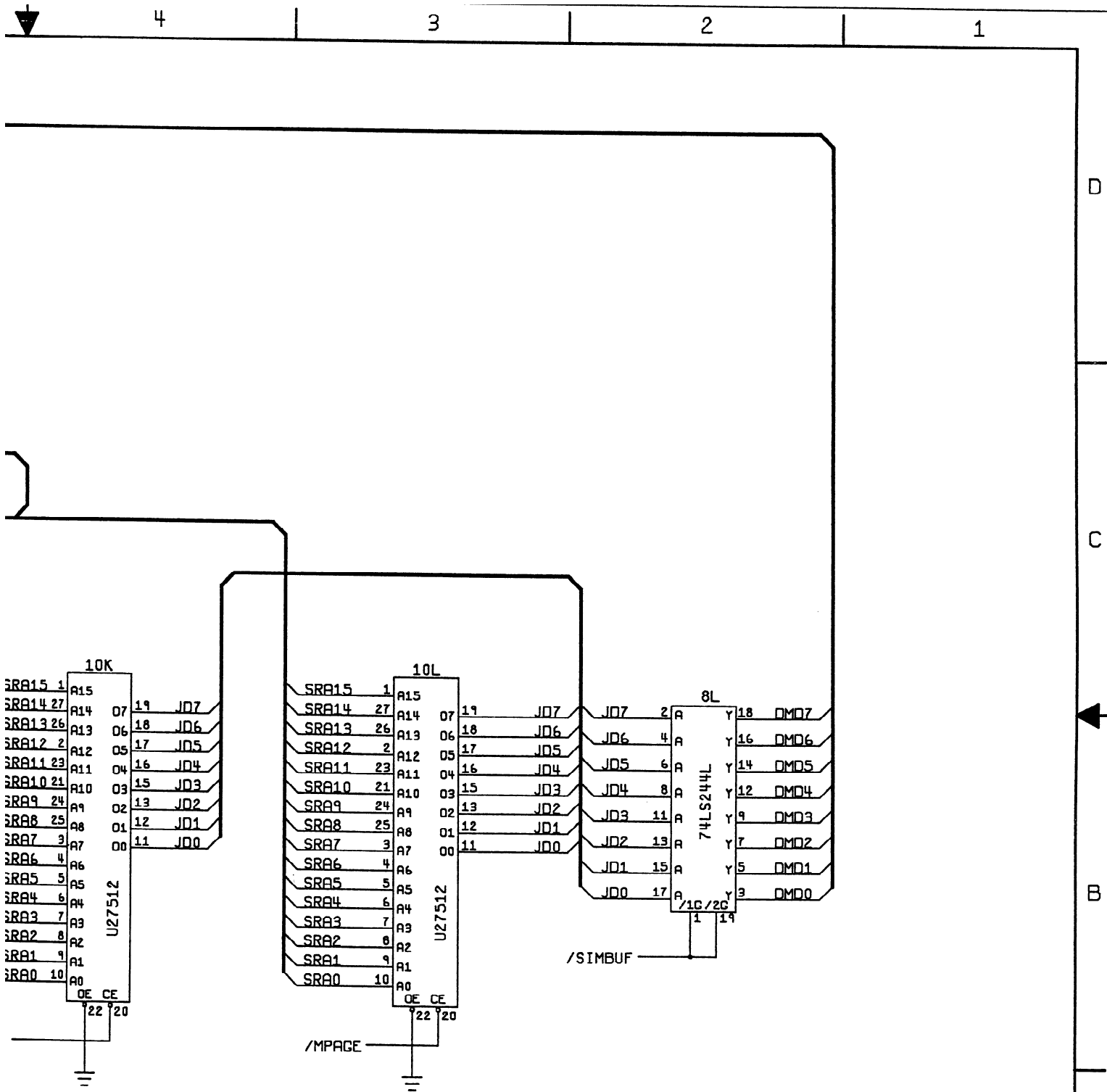
<b>ATARI</b>		ATARI GAMES CORP. 675 SYCAMORE DRIVE MILPITAS, CA. 95035
TITLE <b>SCHEMATIC DRIVER ADSP</b>		
SIZE	DRAWING NO.	REV
D	A044421	A
SCALE	SHEET	OF
NONE	6	9

8 7 6 5



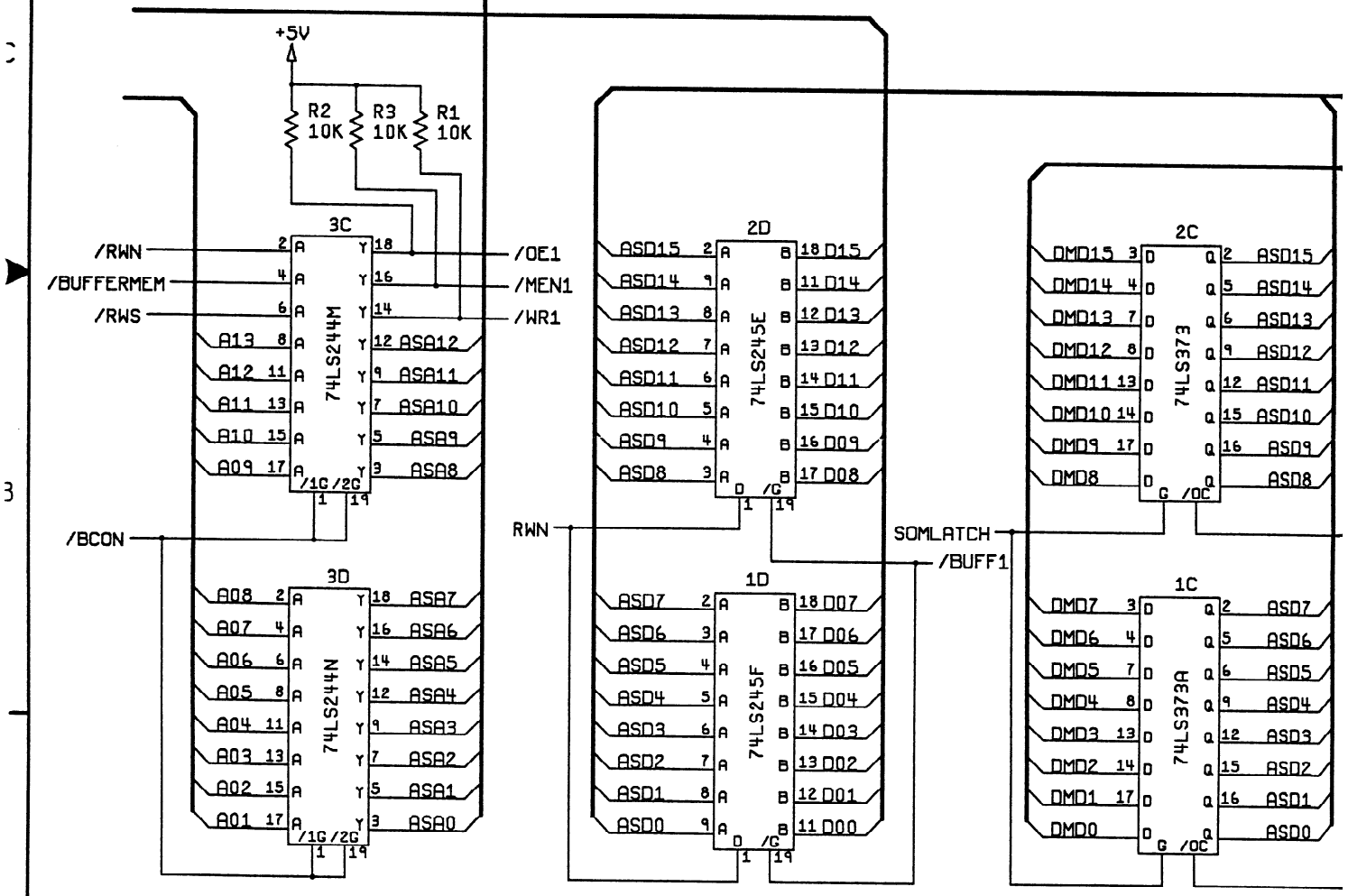
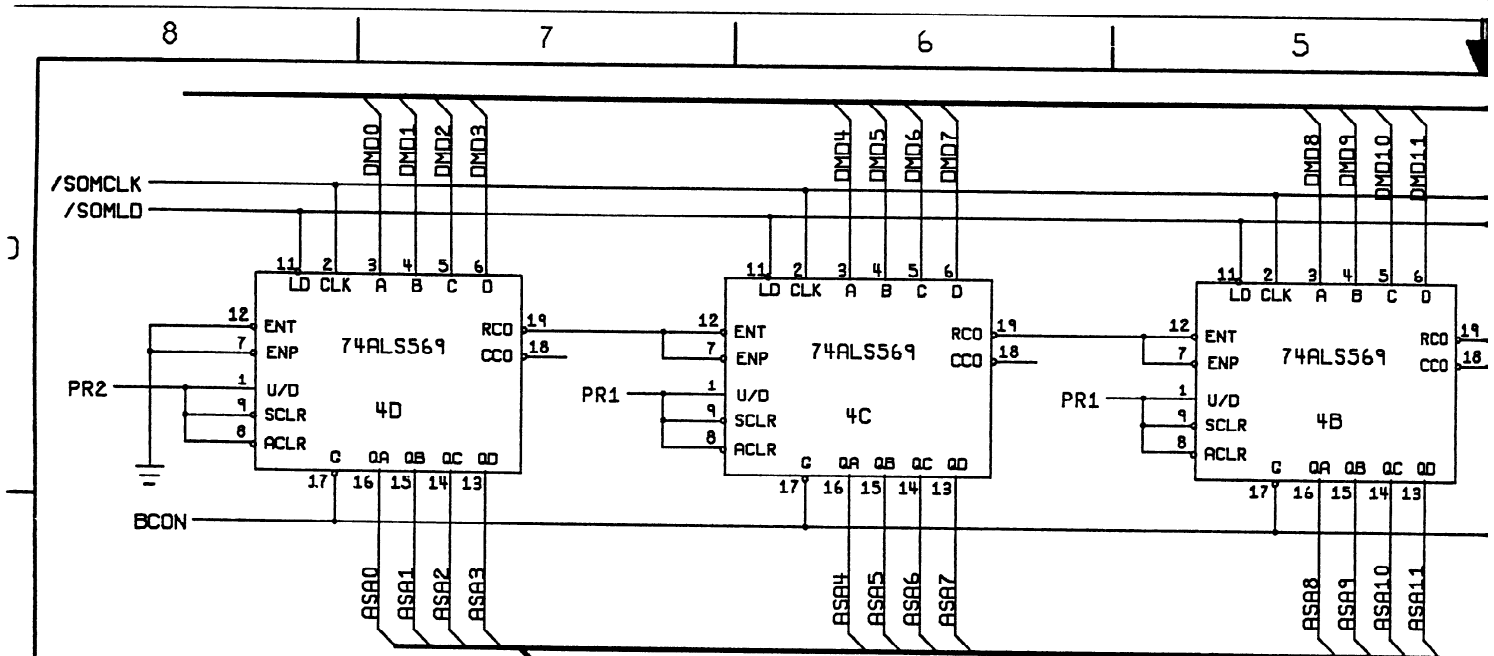
SEQUENTIAL

8 7 6 5

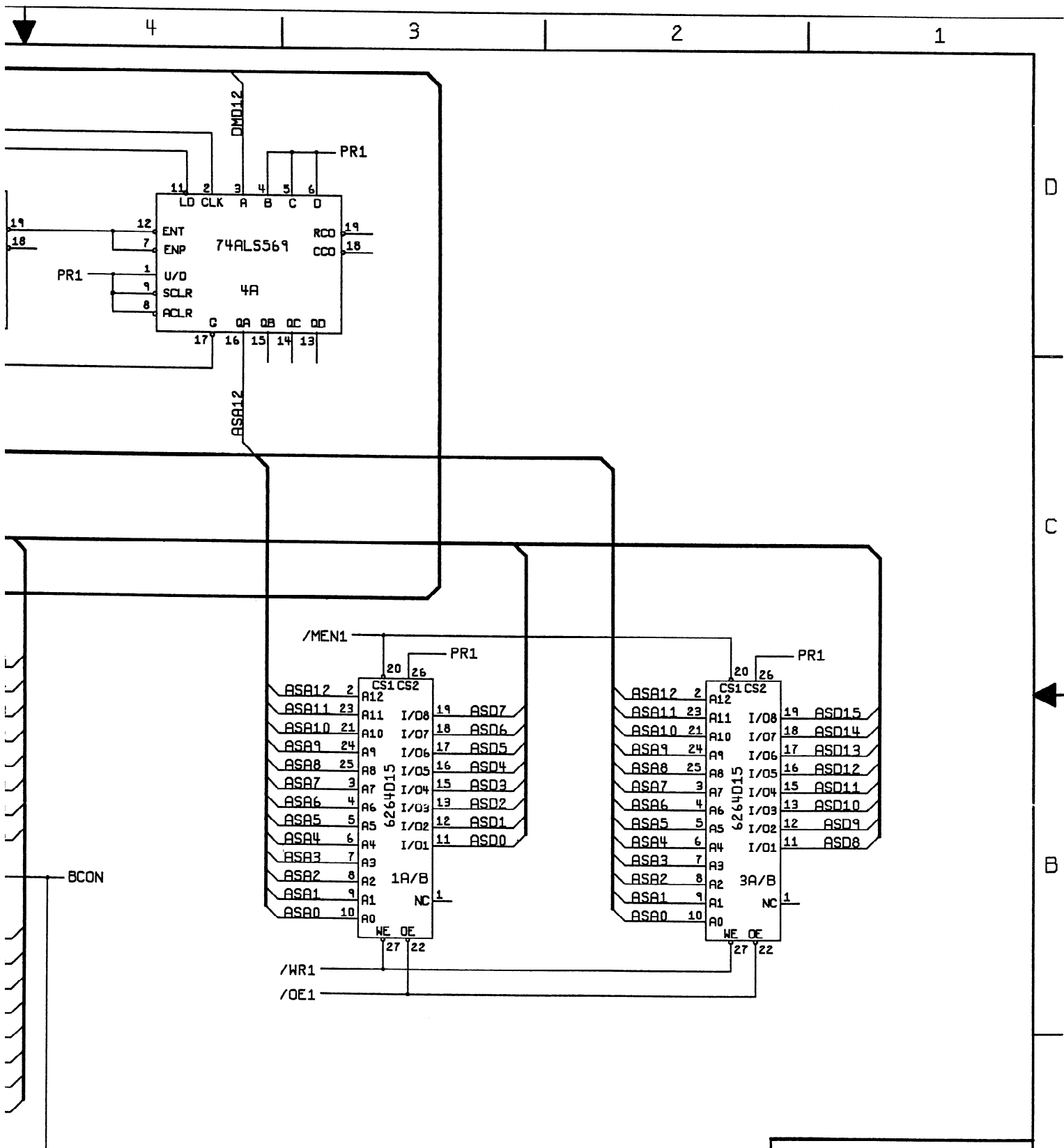


INPUT MEMORY

ATARI		ATARI GAMES CORP. 675 STANMORE DRIVE MILPITAS, CA. 95035	
TITLE			
SCHEMATIC DRIVER ADSP			
SIZE	DRAWING NO.	REV	
D	A044421	A	
SCALE	NONE	SHEET 7	OF 9



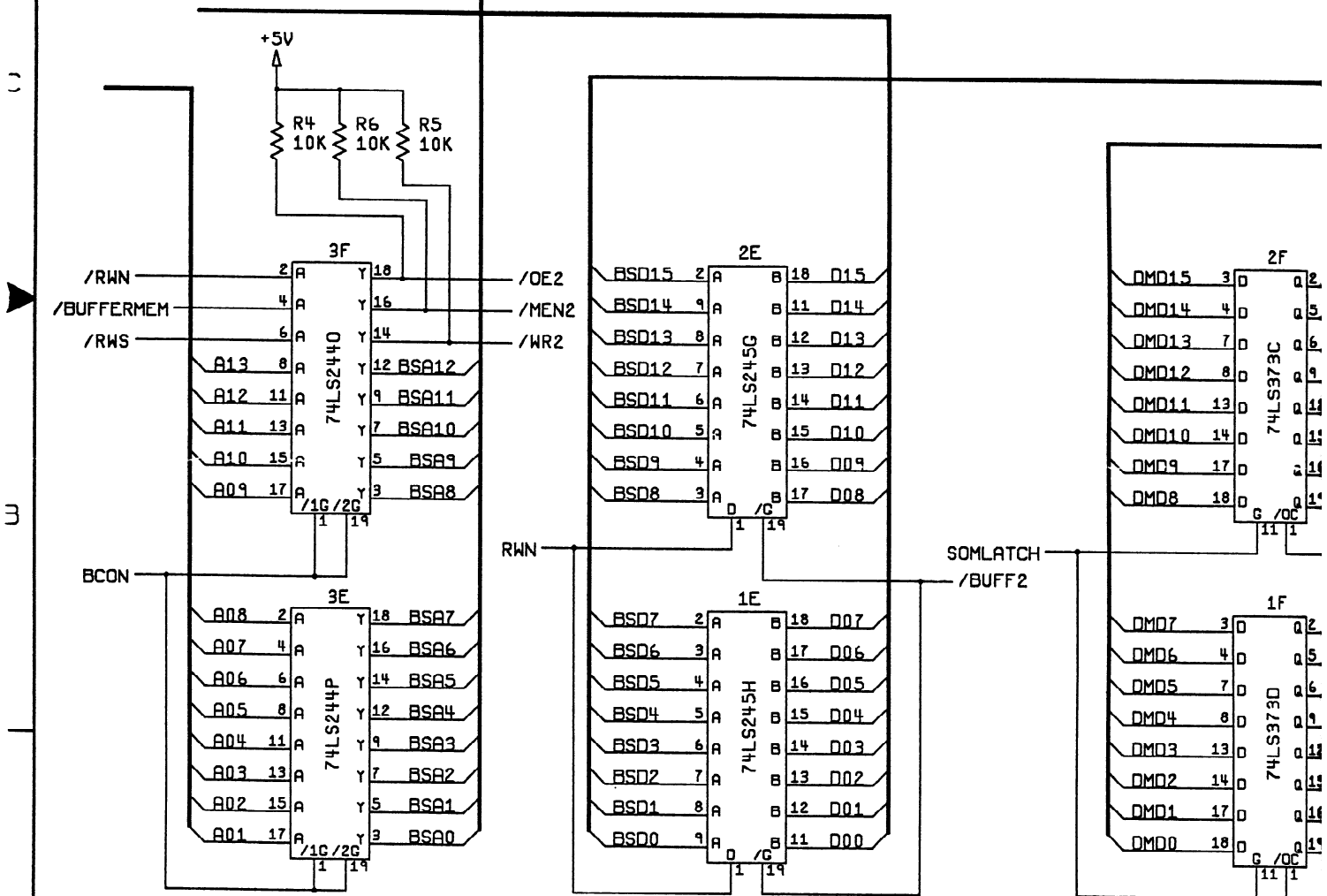
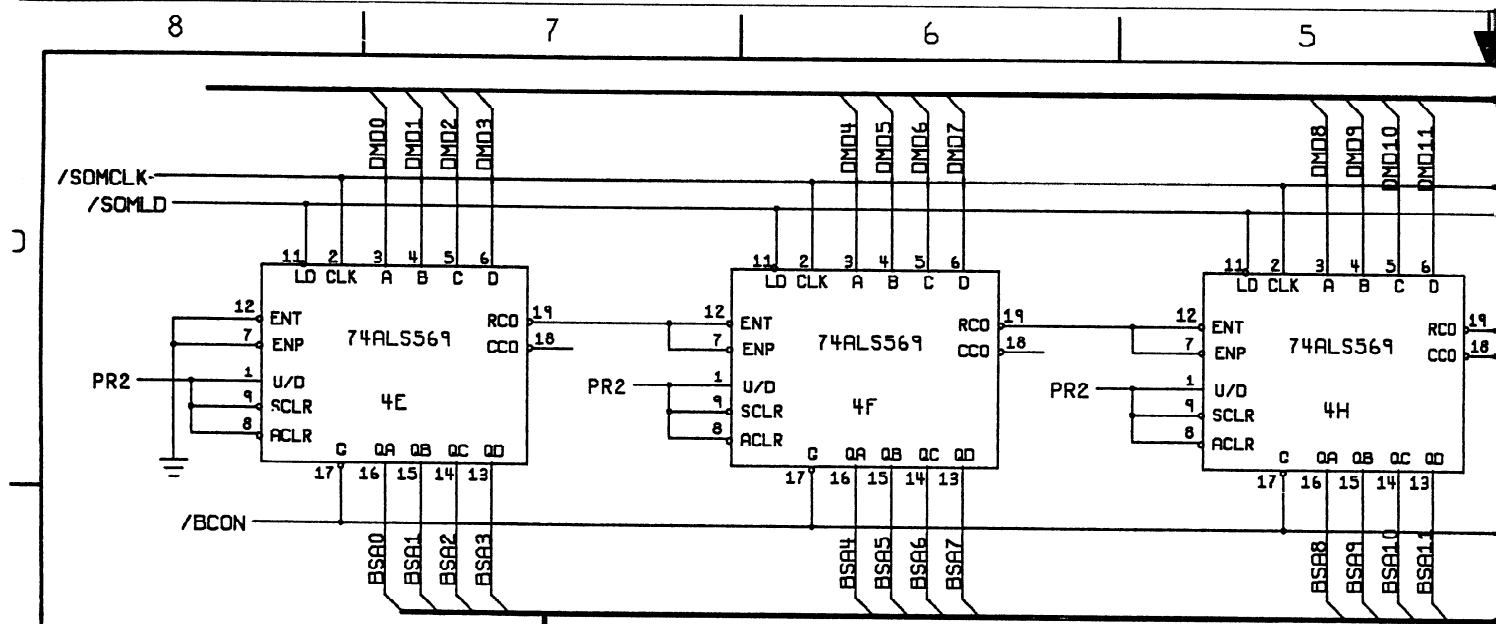
SEQUENTIAL OU



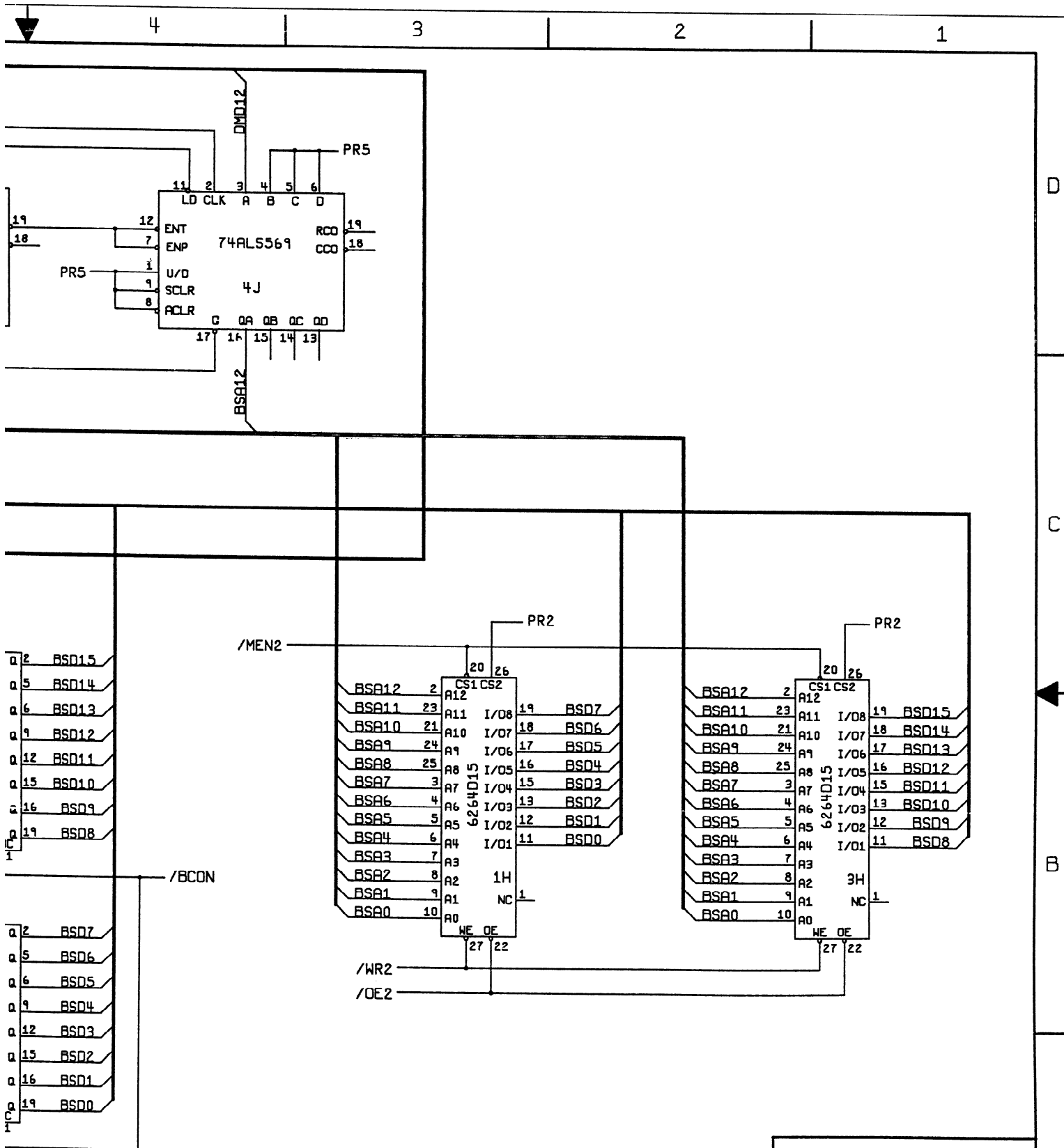
OUTPUT MEMORY #1

ATARI		ATARI GAMES CORP. 675 SYCAMORE DRIVE MILPITAS, CA. 95035	
TITLE			
SCHEMATIC DRIVER ADSP			
SIZE	DRAWING NO.	REV	
D	A044421	A	
SCALE	NONE	SHEET	8 OF 9





SEQUENTIAL OUTPUT



PUT MEMORY #2

ATARI		ATARI GAMES CORP. 675 SYCAMORE DRIVE MILPITAS, CA. 95035	
TITLE			
SCHEMATIC DRIVER ADSP			
SIZE	DRAWING NO.	REV	
D	A044421	A	
SCALE	NONE	SHEET 9	OF 9

REVISIONS					
SYM	DESCRIPTION	DATE	INCRP	CHECK	APPROVED
A	PRODUCTION REL	6-20-89	LSF		

37	42	45	48	51	54	57	60	63
DM07	DM010	DM013	DM019	DM010	DM08	DM06	DM03	DM08
41	44	47	50	53	56	59	62	
DM09	DM012	DM015	DM011	V00	GND	DM04	DM01	
40	43	46	49	52	55	58	61	
DM05	DM011	DM014	DM012	DM09	DM07	DM03	DM02	

38	37	36
GND	DM06	DM05
35	34	33
DM04	DM03	DM02
32	31	30
DM01	DM00	/IRQ0
29	28	27
/IRQ1	GND	V00
26	25	24
/IRQ2	/IRQ3	PM013
23	22	21
PM012	PM011	PM010
20	19	18
PM09	PM08	PM07
17	16	15
GND	PM06	PM05
14		
PM04		

65	64
/RES	GND
66	67
DM06	/HALT
68	67
PM09	TRAP
71	70
/PMS	/DMS
72	73
/PM08	/DM08
74	76
GND	CLKIN
77	76
GND	/DM00
78	79
V00	/BR
80	81
CKOUT	/BC
83	82
PM023	/PM00
84	85
PM022	PM021
86	87
PM020	PM019
88	88
	PM018

ADSP2100  
PQFP100

11	8	5	2	99	96	93	90
PM01	PM01	PM03	V00	GND	PM010	PM013	PM016
12	9	6	3	100	97	94	91
PM02	PM00	GND	PM05	PM07	PM09	PM012	PM015
13	10	7	4	1	98	95	92
PM03	PM00	PM02	PM04	PM06	PM08	PM011	PM014
							89
							PM017

BOTTOM VIEW  
(PINS UP)

A047047-01	DRIVING SIMULATOR
NEXT ASSY	FIRST USED ON

NOTICE TO ALL PERSONS RECEIVING THIS DRAWING  
CONFIDENTIAL: REPRODUCTION FORWARDED WITHOUT THE SPECIFIC WRITTEN PERMISSION OF ATARI GAMES CORPORATION, MILPITAS, CA. THIS DRAWING IS ONLY CONDITIONALLY LOANED. THE RECIPIENT ACCEPTS FOR PROTECTION THROUGH COPIES OR TRANSMISSION NOT BEING MADE, OR LENDING TO ANY OTHER PARTY OF THE DRAWING OR ANY DESIGN OR TECHNICAL INFORMATION THEREIN. THE RECIPIENT SHALL NOT REPRODUCE THIS DRAWING OR ANY PART THEREOF, COPY FOR REPRODUCTION BY ANY OTHER PERSON, OR MAKE ANY ATTEMPT TO REPRODUCE THIS DRAWING OR ANY PART THEREOF, WITHOUT THE WRITTEN PERMISSION OF ATARI GAMES CORPORATION. THE RECIPIENT SHALL BE RESPONSIBLE FOR THE PROTECTION OF THIS DRAWING AND SHALL NOT REPRODUCE OR TRANSMIT THIS DRAWING OR ANY PART THEREOF, WITHOUT THE WRITTEN PERMISSION OF ATARI GAMES CORPORATION.

DO NOT SCALE DRAWING	DRAWN BY L. FRITTS	DATE 6-20-89
UNLESS OTHERWISE SPECIFIED DIMENSIONS ARE IN INCHES	CHECKED BY	DATE
TOLERANCES ON:	ENGR, ELECT	DATE
ANGLES ± 1°	PROJ ENGR	DATE
.XX ± .01	PHG ENGR	DATE
.XXX ± .003		
MATERIAL:		
SEE PL		
A047047-01		
A047046-01		
FINISH:		

ATARI		ATARI GAMES CORP. 675 STONYMEAD DRIVE MILPITAS, CA. 95035	
TITLE SCHEMATIC ADSP II			
SIZE D	DRAWING NO. 047047-01	REV A	
SCALE NONE	SHEET 1	OF 1	