

# SN54284, SN54285, SN74284, SN74285 4-BIT BY 4-BIT PARALLEL BINARY MULTIPLIERS

SDLS096

MAY 1972 - REVISED MARCH 1988

- Fast Multiplication of Two Binary Numbers  
8-Bit Product in 40 ns Typical
- Expandable for N-Bit-by-n-Bit Applications:  
16-Bit Product in 70 ns Typical  
32-Bit Product in 103 ns Typical
- Fully Compatible with Most TTL Circuits
- Diode-Clamped Inputs Simplify System Design

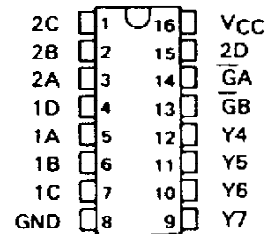
## description

These high-speed TTL circuits are designed to be used in high-performance parallel multiplication applications. When connected as shown in Figure A, these circuits perform the positive-logic multiplication of two 4-bit binary words. The eight-bit binary product is generated with typically only 40 nanoseconds delay.

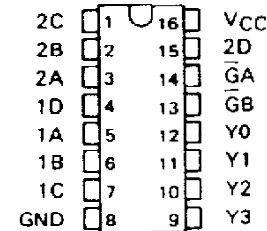
This basic four-by-four multiplier can be utilized as a fundamental building block for implementing larger multipliers. For example, the four-by-four building blocks can be connected as shown in Figure B to generate submultiple partial products. These results can then be summed in a Wallace tree, and, as illustrated, will produce a 16-bit product for the two eight-bit words typically in 70 nanoseconds. SN54H183/SN74H183 carry-save adders and SN54S181/SN74S181 arithmetic logic units with the SN54S182/SN74S182 look-ahead generator are used to achieve this high performance. The scheme is expandable for implementing  $N \times M$  bit multipliers.

The SN54284 and SN54285 are characterized for operation over the full military temperature range of  $-55^{\circ}\text{C}$  to  $125^{\circ}\text{C}$ ; the SN74284 and SN74285 are characterized for operation from  $0^{\circ}\text{C}$  to  $70^{\circ}\text{C}$ .

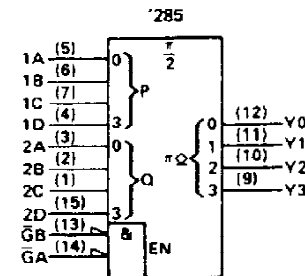
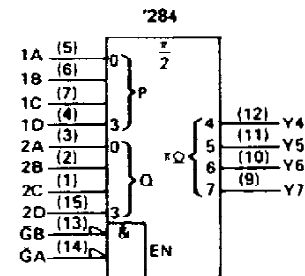
SN54284 . . . J OR W PACKAGE  
SN74284 . . . N PACKAGE  
(TOP VIEW)



SN54285 . . . J OR W PACKAGE  
SN74285 . . . N PACKAGE  
(TOP VIEW)



## logic symbols†



†These symbols are in accordance with ANSI/IEEE Std. 91-1984 and IEC Publication 617-12.

PRODUCTION DATA documents contain information current as of publication date. Products conform to specifications per the terms of Texas Instruments standard warranty. Production processing does not necessarily include testing of all parameters.

TEXAS  
INSTRUMENTS

POST OFFICE BOX 655 12 • DALLAS, TEXAS 75265

**SN54284, SN54285, SN74284, SN74285**  
**4-BIT BY 4-BIT PARALLEL BINARY MULTIPLIERS**

schematics

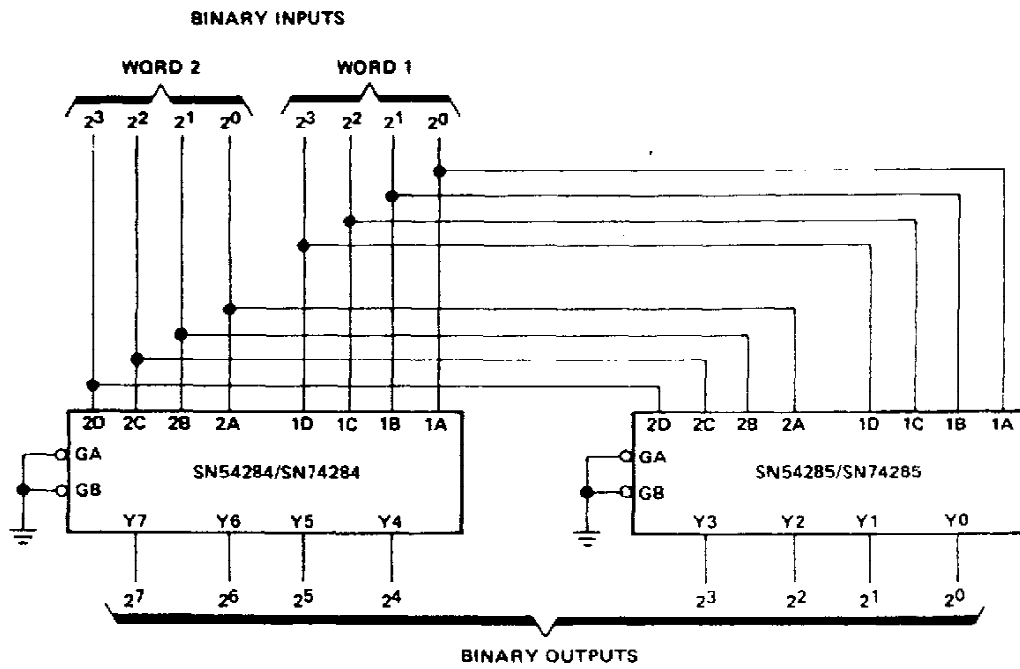
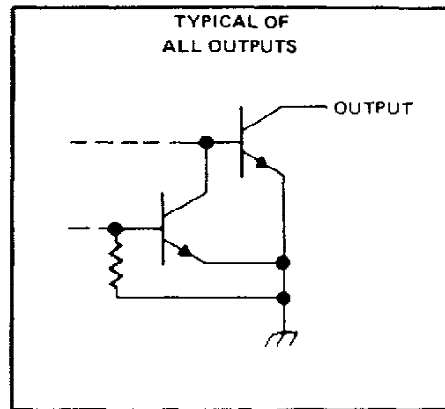
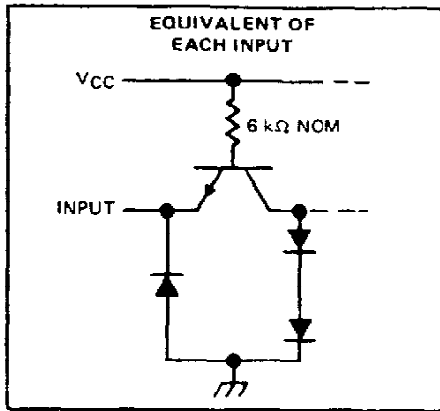
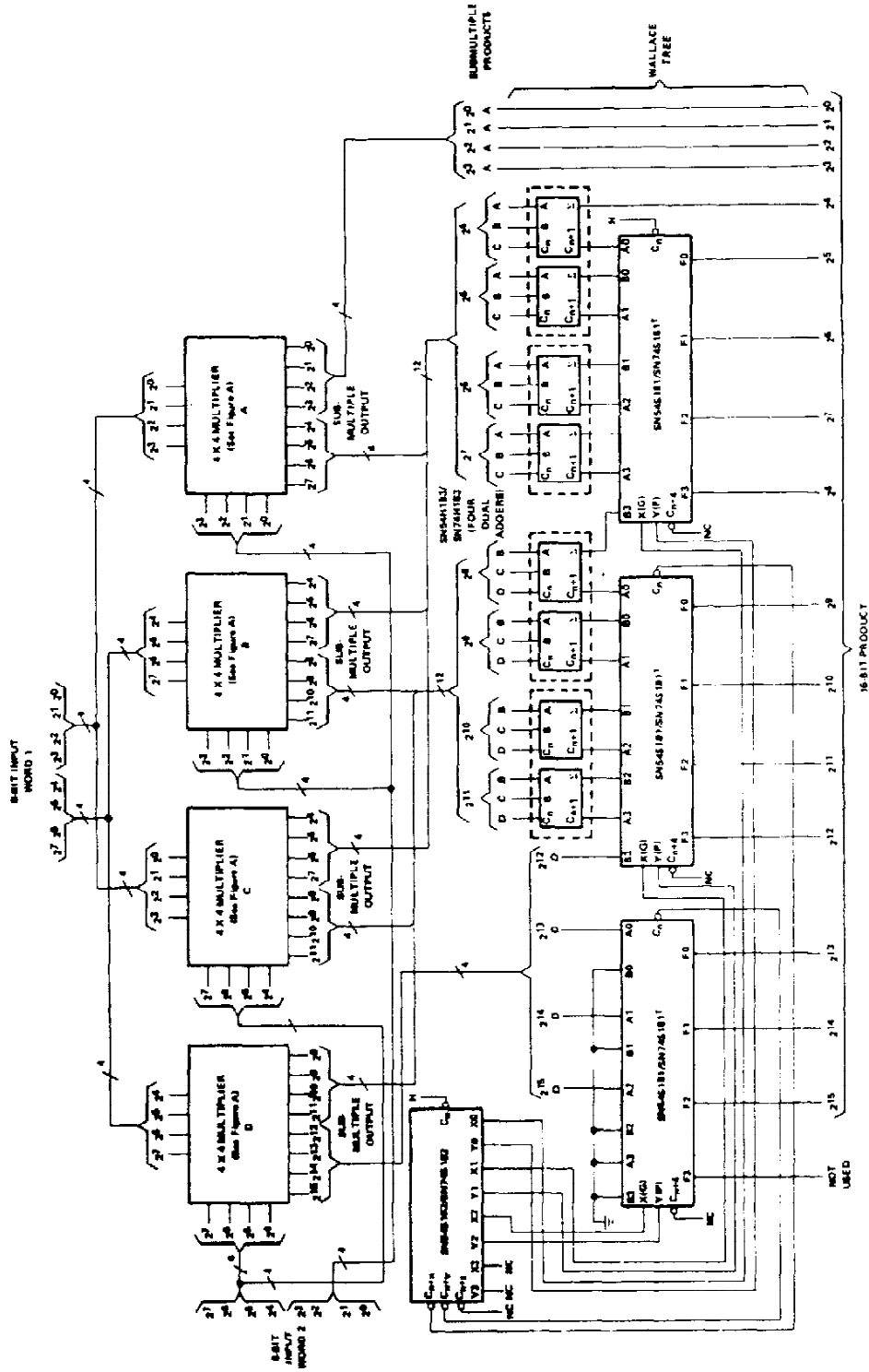


FIGURE A-4 X 4 MULTIPLIER

**TEXAS**  
**INSTRUMENTS**

POST OFFICE BOX 655012 • DALLAS, TEXAS 75265

**SN54284, SN54285, SN74284, SN74285**  
**4-BIT BY 4-BIT PARALLEL BINARY MULTIPLIERS**



**FIGURE B-8 X 8 MULTIPLIER**

Other terminals of the three SN54S181/SN74S181 ALU's are connected as follows: S3 = H, S2 = L, S1 = L, S0 = H, M = L, Output A = B is not used for this application.



## SN54284, SN54285, SN74284, SN74285 4-BIT BY 4-BIT PARALLEL BINARY MULTIPLIERS

absolute maximum ratings over operating free-air temperature range (unless otherwise noted)

Supply voltage, $V_{CC}$ (see Note 1)	7 V
Input voltage	5.5 V
Operating free-air temperature range: SN54' Circuits	-55°C to 125°C
SN74' Circuits	0°C to 70°C
Storage temperature range	-65°C to 150°C

NOTE 1: Voltage values are with respect to network ground terminal.

### recommended operating conditions

	SN54284 SN54285			SN74284 SN74285			UNIT
	MIN	NOM	MAX	MIN	NOM	MAX	
Supply voltage, $V_{CC}$	4.5	5	5.5	4.75	5	5.25	V
High-level output voltage, $V_{OH}$	5.5			5.5			V
Low-level output current, $I_{OL}$	16			16			mA
Operating free-air temperature, $T_A$	-55	125		0	70		°C

electrical characteristics over recommended operating free-air temperature range (unless otherwise noted)

PARAMETER	TEST CONDITIONS†	MIN	TYP‡	MAX	UNIT
$V_{IH}$ High-level input voltage		2			V
$V_{IL}$ Low-level input voltage		0.8			V
$V_I$ Input clamp voltage	$V_{CC} = \text{MIN.}$ , $I_I = -12 \text{ mA}$	-1.5			V
$I_{OH}$ High-level output current	$V_{CC} = \text{MIN.}$ , $V_{IH} = 2 \text{ V.}$ $V_{IL} = 0.8 \text{ V.}$ $V_{OH} = 5.5 \text{ V}$	40			$\mu\text{A}$
$V_{OL}$ Low-level output voltage	$V_{CC} = \text{MIN.}$ , $I_{OL} = 12 \text{ mA}$	0.4			V
	$V_{IH} = 2 \text{ V.}$ $V_{IL} = 0.8 \text{ V.}$ $I_{OL} = 16 \text{ mA}$	0.45			
$I_I$ Input current at maximum input voltage	$V_{CC} = \text{MAX.}$ , $V_I = 5.5 \text{ V}$	1			mA
$I_{IH}$ High-level input current	$V_{CC} = \text{MAX.}$ , $V_I = 2.4 \text{ V}$	40			$\mu\text{A}$
$I_{IL}$ Low-level input current	$V_{CC} = \text{MAX.}$ , $V_I = 0.4 \text{ V}$	-1			mA
$I_{CC}$ Supply current	$V_{CC} = \text{MAX.}$ , $T_A = 125^\circ\text{C.}$ See Note 2	99			mA
	$V_{CC} = \text{MAX.}$ , See Note 2	SN54284, SN54285 N package only	92	110	
		SN74284, SN74285	92	130	

†For conditions shown as MIN or MAX, use the appropriate value specified under recommended operating conditions for the applicable device type.

‡All typical values are at  $V_{CC} = 5 \text{ V.}$   $T_A = 25^\circ\text{C.}$

NOTE 2: With outputs open and both enable inputs grounded,  $I_{CC}$  is measured first by selecting an output product which contains three or more high-level bits, then by selecting an output product which contains four low-level bits.

### switching characteristics, $V_{CC} = 5 \text{ V.}$ $T_A = 25^\circ\text{C}$

PARAMETER	TEST CONDITIONS	MIN	TYP	MAX	UNIT
$t_{PLH}$ Propagation delay time, low-to-high-level output from enable	$C_L = 30 \text{ pF}$ to GND, $R_{L1} = 300 \Omega$ to $V_{CC.}$ $R_{L2} = 600 \Omega$ to GND, See Note 3	20		30	ns
$t_{PHL}$ Propagation delay time, high-to-low-level output from enable		20		30	
$t_{PLH}$ Propagation delay time, low-to-high-level output from word inputs		40		60	ns
$t_{PHL}$ Propagation delay time, high-to-low-level output from word inputs		40		60	

NOTE 3: Load circuits and voltage waveforms are shown in Section 1.

**TEXAS**  
**INSTRUMENTS**

DALLAS OFFICE: P.O. BOX 550112 • DALLAS, TEXAS 75255

## IMPORTANT NOTICE

Texas Instruments (TI) reserves the right to make changes to its products or to discontinue any semiconductor product or service without notice, and advises its customers to obtain the latest version of relevant information to verify, before placing orders, that the information being relied on is current.

TI warrants performance of its semiconductor products and related software to the specifications applicable at the time of sale in accordance with TI's standard warranty. Testing and other quality control techniques are utilized to the extent TI deems necessary to support this warranty. Specific testing of all parameters of each device is not necessarily performed, except those mandated by government requirements.

Certain applications using semiconductor products may involve potential risks of death, personal injury, or severe property or environmental damage ("Critical Applications").

TI SEMICONDUCTOR PRODUCTS ARE NOT DESIGNED, INTENDED, AUTHORIZED, OR WARRANTED TO BE SUITABLE FOR USE IN LIFE-SUPPORT APPLICATIONS, DEVICES OR SYSTEMS OR OTHER CRITICAL APPLICATIONS.

Inclusion of TI products in such applications is understood to be fully at the risk of the customer. Use of TI products in such applications requires the written approval of an appropriate TI officer. Questions concerning potential risk applications should be directed to TI through a local SC sales office.

In order to minimize risks associated with the customer's applications, adequate design and operating safeguards should be provided by the customer to minimize inherent or procedural hazards.

TI assumes no liability for applications assistance, customer product design, software performance, or infringement of patents or services described herein. Nor does TI warrant or represent that any license, either express or implied, is granted under any patent right, copyright, mask work right, or other intellectual property right of TI covering or relating to any combination, machine, or process in which such semiconductor products or services might be or are used.

## IMPORTANT NOTICE

Texas Instruments and its subsidiaries (TI) reserve the right to make changes to their products or to discontinue any product or service without notice, and advise customers to obtain the latest version of relevant information to verify, before placing orders, that information being relied on is current and complete. All products are sold subject to the terms and conditions of sale supplied at the time of order acknowledgement, including those pertaining to warranty, patent infringement, and limitation of liability.

TI warrants performance of its semiconductor products to the specifications applicable at the time of sale in accordance with TI's standard warranty. Testing and other quality control techniques are utilized to the extent TI deems necessary to support this warranty. Specific testing of all parameters of each device is not necessarily performed, except those mandated by government requirements.

CERTAIN APPLICATIONS USING SEMICONDUCTOR PRODUCTS MAY INVOLVE POTENTIAL RISKS OF DEATH, PERSONAL INJURY, OR SEVERE PROPERTY OR ENVIRONMENTAL DAMAGE ("CRITICAL APPLICATIONS"). TI SEMICONDUCTOR PRODUCTS ARE NOT DESIGNED, AUTHORIZED, OR WARRANTED TO BE SUITABLE FOR USE IN LIFE-SUPPORT DEVICES OR SYSTEMS OR OTHER CRITICAL APPLICATIONS. INCLUSION OF TI PRODUCTS IN SUCH APPLICATIONS IS UNDERSTOOD TO BE FULLY AT THE CUSTOMER'S RISK.

In order to minimize risks associated with the customer's applications, adequate design and operating safeguards must be provided by the customer to minimize inherent or procedural hazards.

TI assumes no liability for applications assistance or customer product design. TI does not warrant or represent that any license, either express or implied, is granted under any patent right, copyright, mask work right, or other intellectual property right of TI covering or relating to any combination, machine, or process in which such semiconductor products or services might be or are used. TI's publication of information regarding any third party's products or services does not constitute TI's approval, warranty or endorsement thereof.