

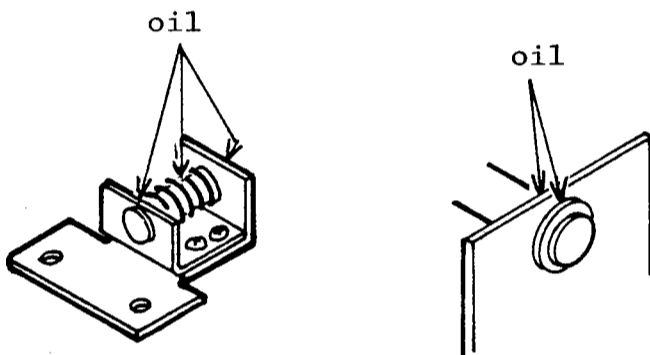
# CAUTIONS

1. Turn the power off before exchanging and removing the P.C.Board and connectors.
2. Do not touch IC, LSI and other electronic parts on P.C.Boards. Do not use a tester or the like on them.
3. P.C.Board to be stored or transported should be wrapped by a conductive pouch or aluminum foil.
4. P.C.Board should not be exposed direct to the sun.
5. When soldering, use soldering iron of which end is grounded.

# OILING

Add oil to the following part of the control box when control lever is not smooth in operation.

(Use sillicon grease "SILICOLUBE G-31L".)



# WIRING

(Control Box)

