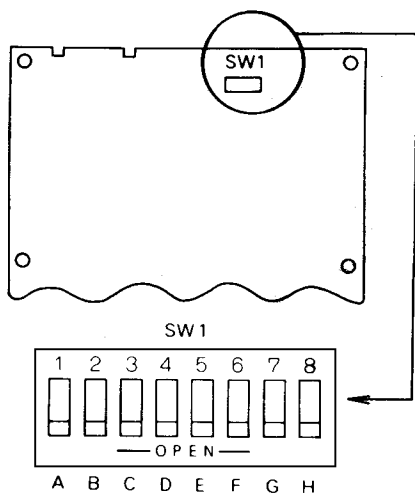


# ADJUSTMENTS

## 1. Number of Junior , Score Level, Coinage and Type.(CPU P.C.Board)

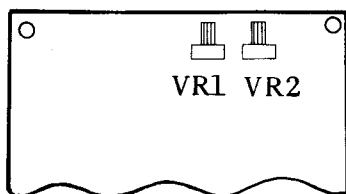


	A	B	C	D	E	F	G	H
<b>Number of Junior</b>								
3	OFF	OFF						
4	ON	OFF						
5	OFF	ON						
6	ON	ON						
<b>Score Level for extra Junior</b>								
10,000 points			OFF	OFF				
15,000 points			ON	OFF				
20,000 points			OFF	ON				
25,000 points			ON	ON				
<b>Coinage</b>								
1 coin /1 play					OFF	OFF	OFF	
1 coin /2 plays					OFF	ON	OFF	
1 coin /3 plays					OFF	OFF	ON	
1 coin /4 plays					OFF	ON	ON	
2 coins/1 play					ON	OFF	OFF	
3 coins/1 play					ON	ON	OFF	
4 coins/1 play					ON	OFF	ON	
5 coins/1 play					ON	ON	ON	
<b>Table / Upright</b>								
Table								OFF
Upright								ON

## 2. Screen (VIDEO P.C.Board)

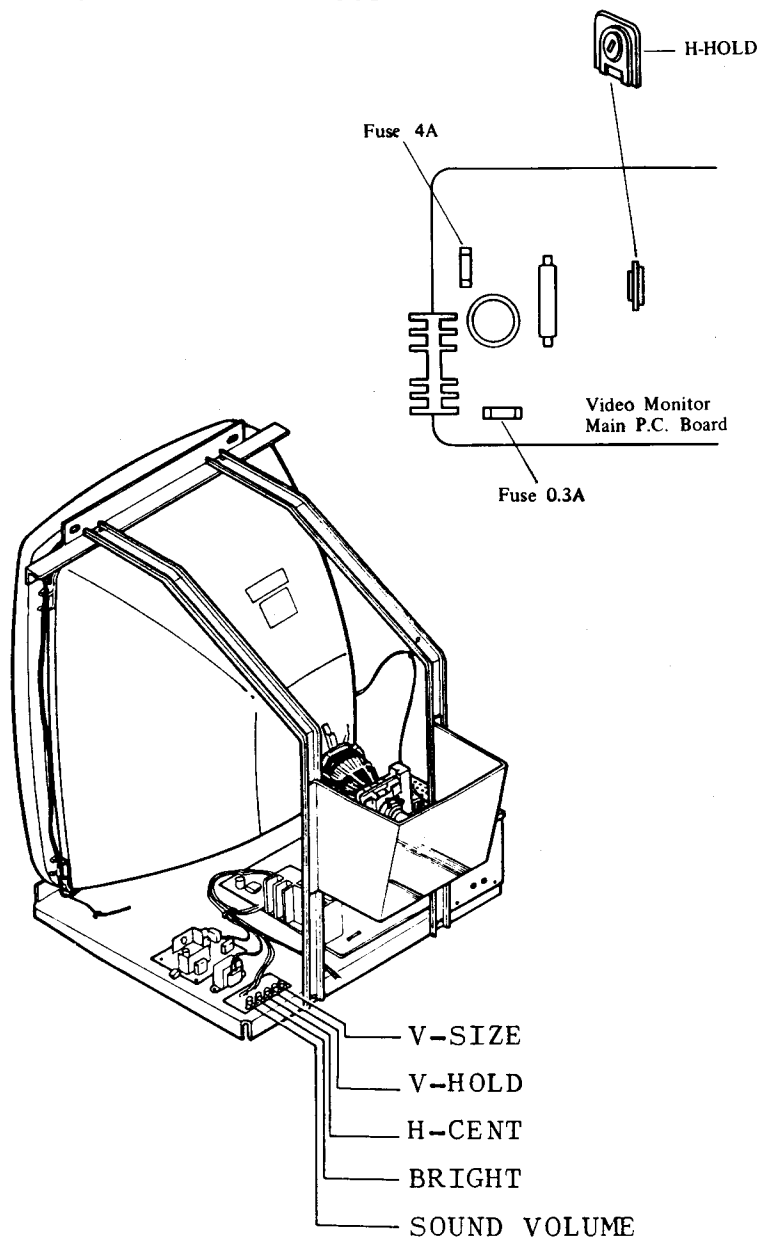
Semi-fixed resistors, VR1 and VR2 on VIDEO P.C.Board are used to adjust video monitor screen.

VIDEO P.C.Board



VR1	50KΩ 1/3W top type white knob	Turn right to move image downward.
VR2	50KΩ 1/3W top type white knob	Turn right to move image leftward

## 3. Video Monitor



Do not touch the inside of the video monitor in which many parts are supplied with high tension.

# CAUTIONS

- (1) Turn the power off before exchanging and removing the P.C.Board and connectors.
- (2) Do not touch IC, LSI and other electronic parts on P.C.Boards. Do not use a tester or the like on them.
- (3) P.C.Board to be stored or transported should be wrapped by a conductive pouch or aluminum foil.
- (4) P.C.Board should not be exposed direct to the sun.
- (5) When soldering, use soldering iron of which end is grounded.