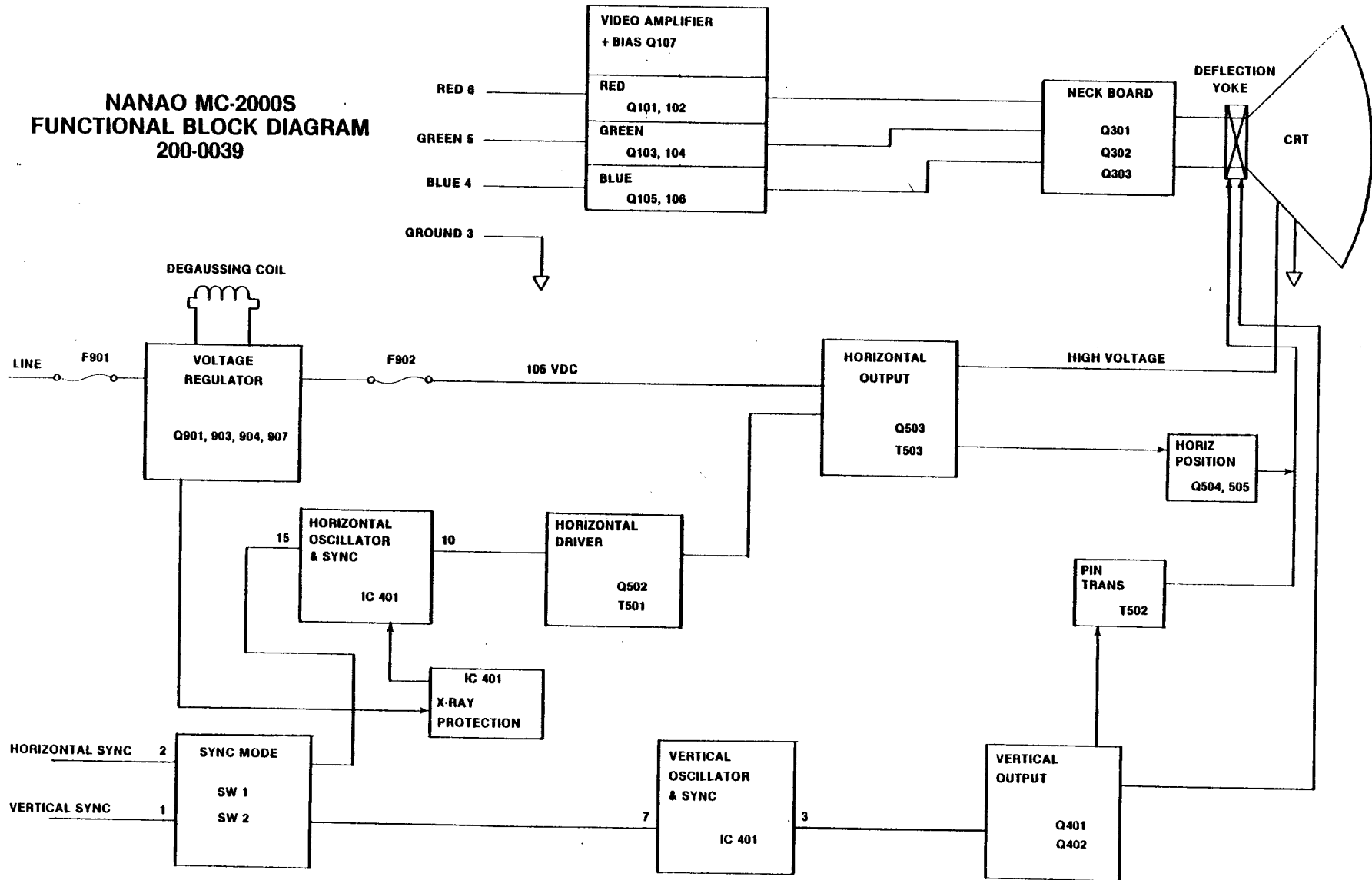
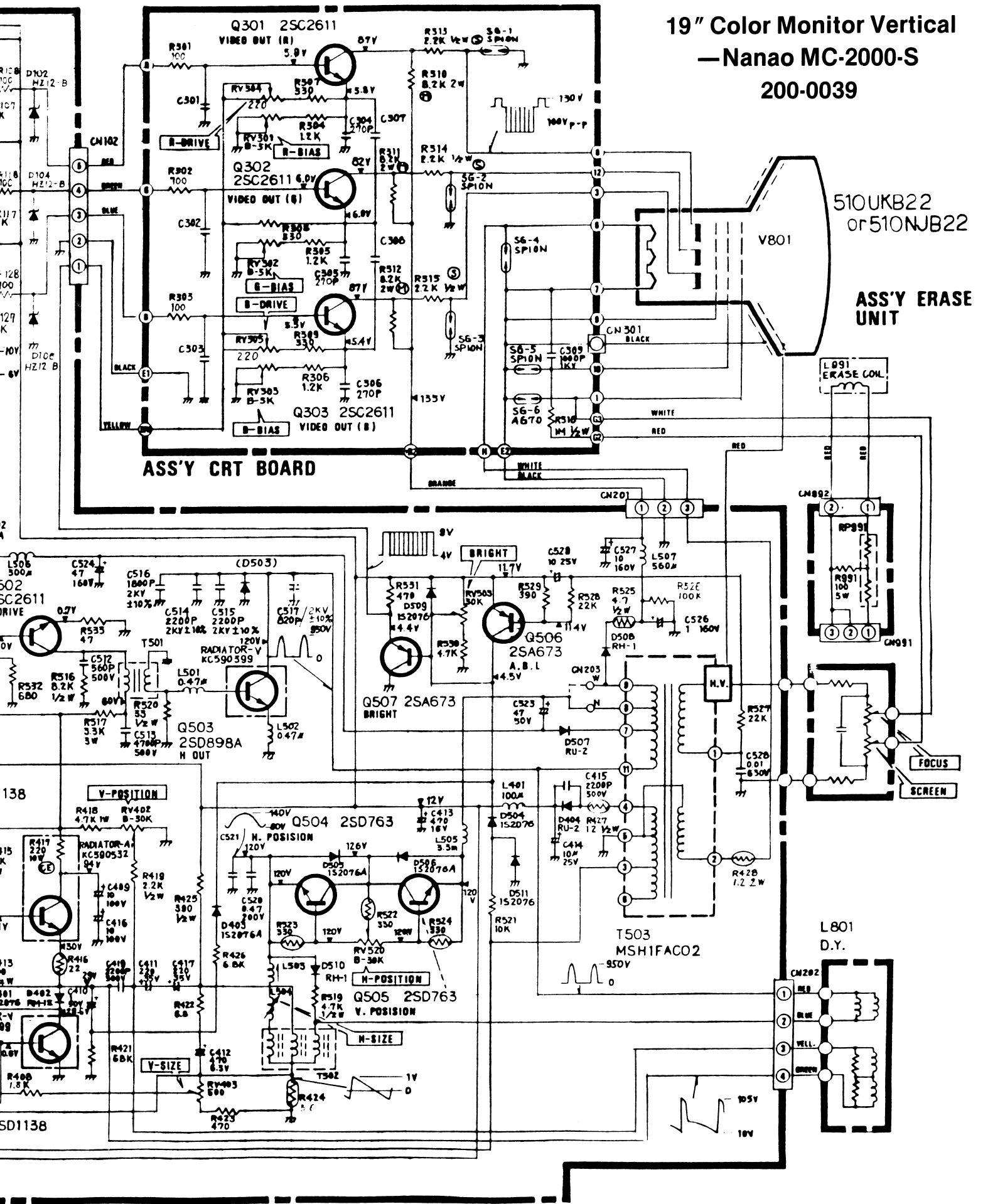


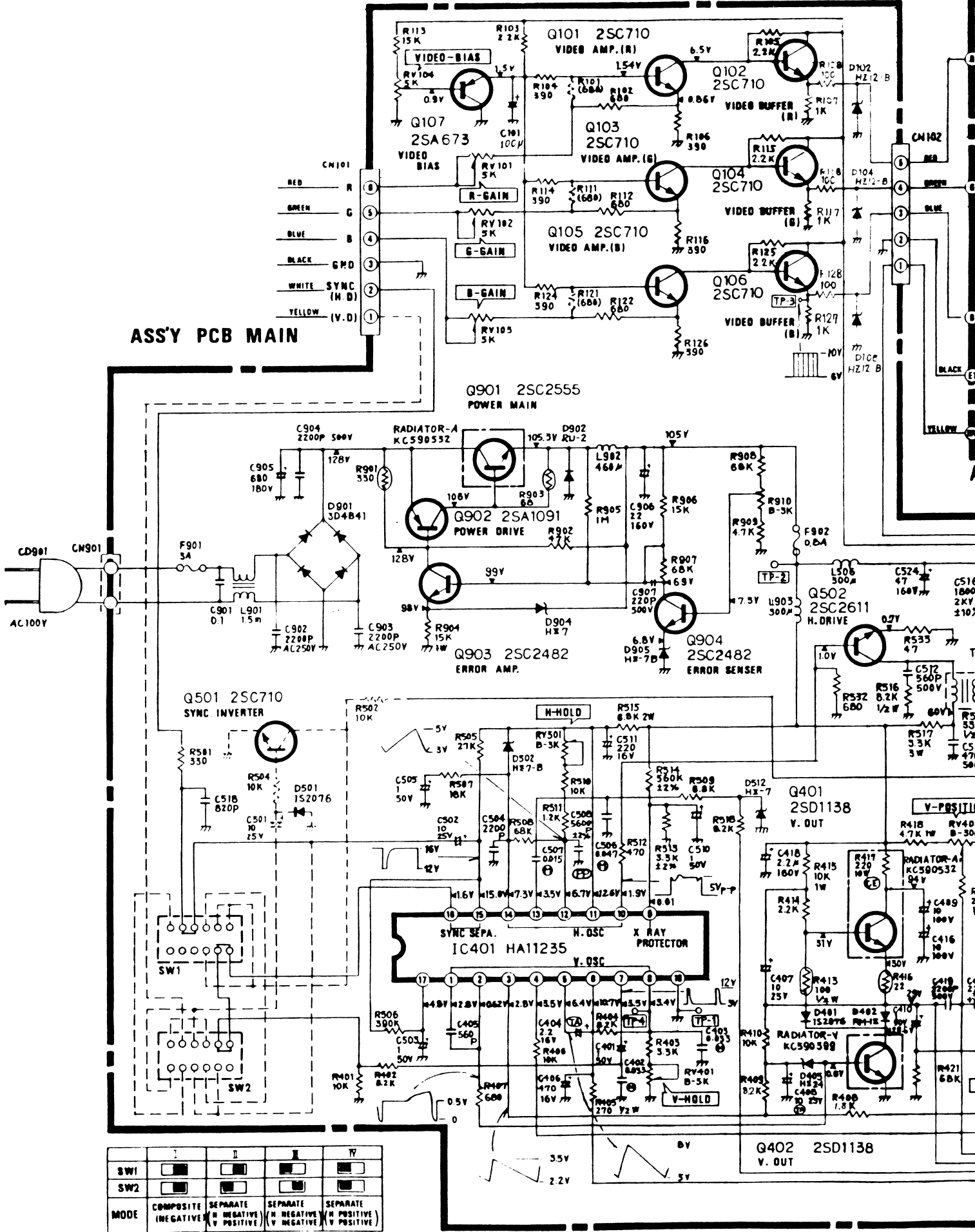
NANAO MC-2000S FUNCTIONAL BLOCK DIAGRAM 200-0039



19" Color Monitor Vertical
 —Nanao MC-200-S
 200-0039



ASSY PCB MAIN



	I	II	III	IV
SW1	<input type="checkbox"/>	<input type="checkbox"/>	<input type="checkbox"/>	<input type="checkbox"/>
SW2	<input type="checkbox"/>	<input type="checkbox"/>	<input type="checkbox"/>	<input type="checkbox"/>
MODE	COMPOSITE NEGATIVE	SEPARATE H NEGATIVE V POSITIVE	SEPARATE H NEGATIVE V NEGATIVE	SEPARATE H POSITIVE V POSITIVE