

SERVICE TIPS

FAST AID HOT LINE: 800-323-0666
EXCEPT ILLINOIS: 312-981-1000 Ext. 215
TELEX: 253290



- MANDATORY
- ON FAILURE ONLY
- FOR YOUR INFORMATION

83-9

ATTN: SERVICE MANAGERS

GAMES: QIX, SPACE DUNGEON, KRAM, ELECTRIC YOYO, ZOOKEEPER

SUBJECT: BATTERY POWER FOR THE CMOS RAMS ON THE VIDEO BOARD.

SOLUTION: WHEN THESE GAMES ARE POWERED DOWN, THERE STILL IS BATTERY TO THE CMOS RAM ON THE VIDEO BOARD (U85 AND U86). THE FOLLOWING IS THE RECOMMENDED PROCEDURE TO REMOVE POWER FROM THESE CMOS RAMS.

PARTS NEEDED: NONE

- PROCEDURE:
- 1) OPEN THE BACK DOOR AND PULL OUT THE POWER INTERLOCK SWITCH AND POWER THE GAME UP.
 - 2) REMOVE THE W1 JUMPER THAT IS LOCATED TO THE RIGHT OF THE BATTERY ON THE VIDEO BOARD.
 - 3) POWER THE GAME DOWN AND WAIT FOR A MINIMUM OF TWO MINUTES.

NOW THE POWER IS REMOVED FROM THE CMOS RAMS. ALL INFORMATION IN THESE RAMS IS LOST. NOW YOU MAY REPLACE THE CMOS RAMS WITHOUT DANGER OF RUINING THE NEW CHIPS.

NOTE:

IN ORDER FOR THESE RAMS TO FUNCTION PROPERLY, THEY MUST BE REPROGRAMED. TO ENABLE THIS, YOU MUST OPEN THE COIN DOOR AND ONLY PULL OUT THE BOTTOM INTERLOCK (THE TOP INTERLOCK MUST BE LEFT IN THE NEUTRAL POSITION). STEP THE ADV. TEST BUTTON, UNTIL THE ATTRACT MODE IS ON THE SCREEN.

TAITO AMERICA CORPORATION
1256 Estes Ave., Elk Grove Village, IL 60007

SERVICE TIPS

FAST AID HOT LINE: 800-323-0666
EXCEPT ILLINOIS: 312-981-1000 Ext. 215
TELEX: 253290



- MANDATORY
- ON FAILURE ONLY
- FOR YOUR INFORMATION

83-10

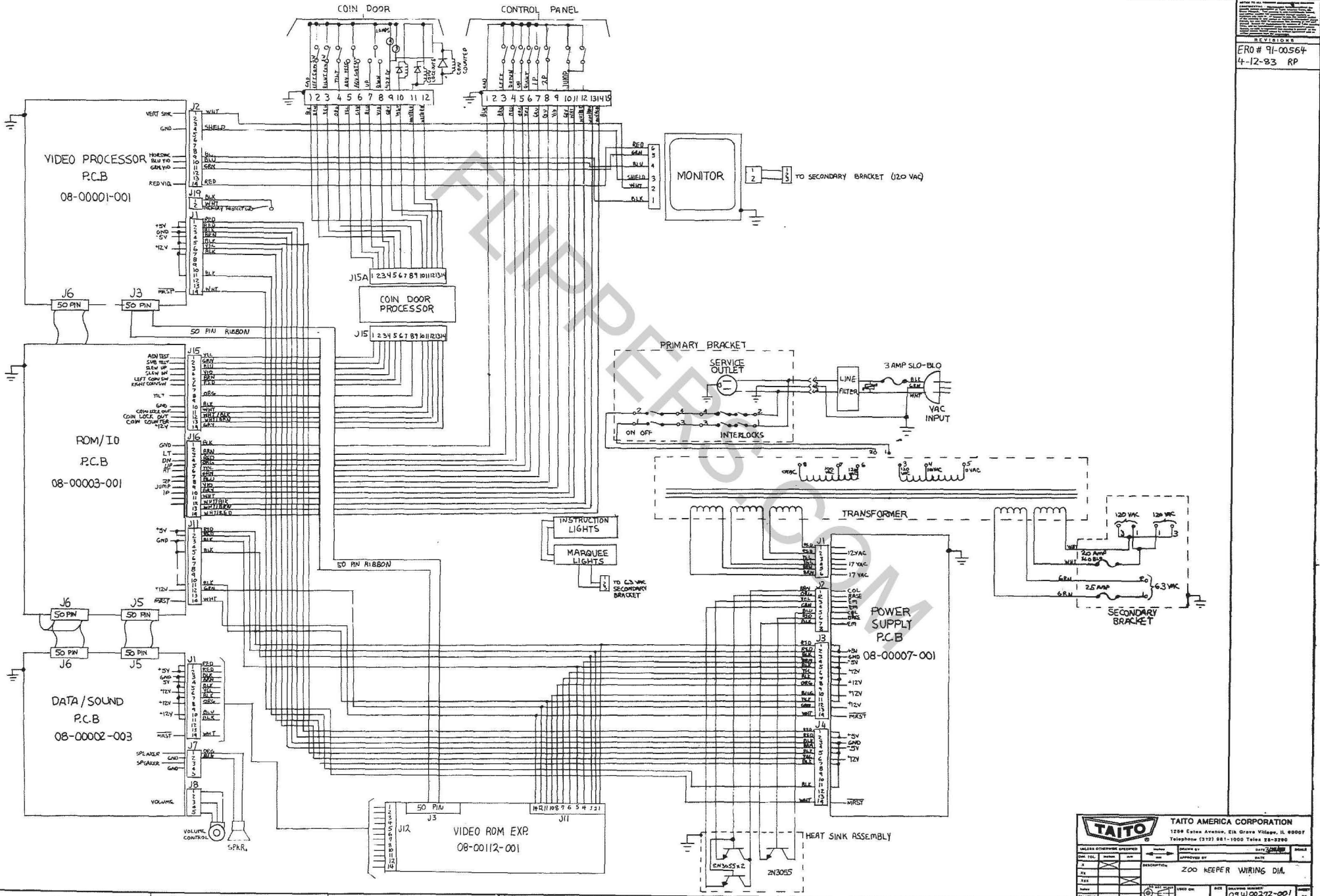
ATTN: SERVICE MANAGERS

GAME: ZOO KEEPER

SUBJECT: MANUAL CORRECTIONS

SOLUTION: THE FOLLOWING ARE CORRECTED WIRING DIAGRAM, POWER SUPPLY SCHEMATICS, "A" COIN DOOR PART LIST, AND "B" COIN DOOR PARTS LIST.

PARTS NEEDED: NONE



REVISED
 ERO # 91-00564
 4-12-83 RP

TAITO AMERICA CORPORATION
 1298 Estes Avenue, Elk Grove Village, IL 60007
 Telephone (312) 881-1000 Telex 28-8280

DATE	DESIGNED BY	DATE	APPROVED BY

ZOO KEEPER WIRING DIA.

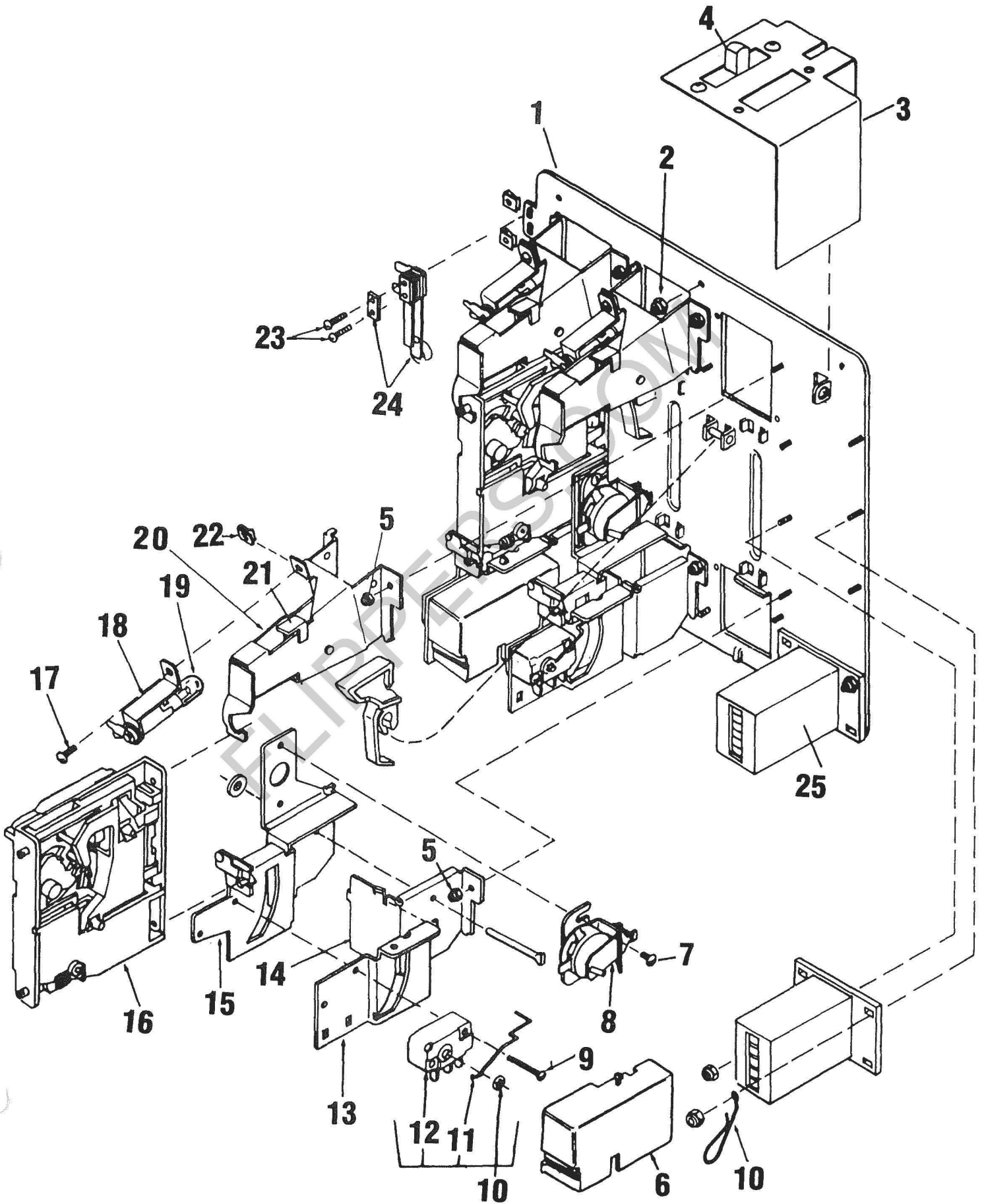
09W00272-001

COIN DOOR "A"

ITEM	TAITO PART NO.	DESCRIPTION	REFERENCE
1	07-00027-001	Inner Panel With Levers Sub Assembly	404429
2	54-03013-001	Nut #8-32	400-8
*	09-00017-001	Custom Harness Assembly (SHL Coin)	
*	09-00017-002	Custom Harness Assembly (Dual Coin)	
3	61B00113-001	Service Switch Bracket	
4	29-00022-001	Service Switch	
5	54-03011-001	Nut #4-40	
6	63-00014-001	Switch Cover	904762
7	51-02052-001	Screw #6-32 x ³ / ₁₆ SS ph	100-6-3
8	23-00001-001	C.R.E.M. Coil Assembly	404354
9	51-02052-001	Screw #6-32 x ³ / ₁₆ SS ph	100-4-12
10	59-00019-001	Retainer	900651
11	28-00029-001	Silver Switch Wire for U.S. 25¢	904710-1
12	29-00007-001	Switch	904845
13	61-00044-001	Coin Chute	904701
14	61-00045-001	Coin Return Box	904598
15	61-00025-001	Switch & C.R.E.M. Coil Bracket	404428
16	59-00018-001	25¢ Acceptor	5301-10
17	51-02051-006	Screw 4-40 x ³ / ₈ SS ph	110-4-6
18	27-00003-001	Miniature Bayonet Base Lamp	904717
*	26-00006-001	Lamp Socket	
19	27-00003-001	#47 Lamp (6.3 Volt)	904716
20	61-00048-001	Coin Inlet Chute	904418
21	61-00047-001	Right Half of Coin Inlet Chute	904594
22	54-00001-001	"U" Type Fastener	904712
23	51-02051-006	Screw 4-40 x ¹ / ₂ SS ph	116-4-8
24	29-00006-001	Slam Switch Assembly	904704
25	998325	Coin Meters	

*Item not shown on drawing.

COIN DOOR "A"

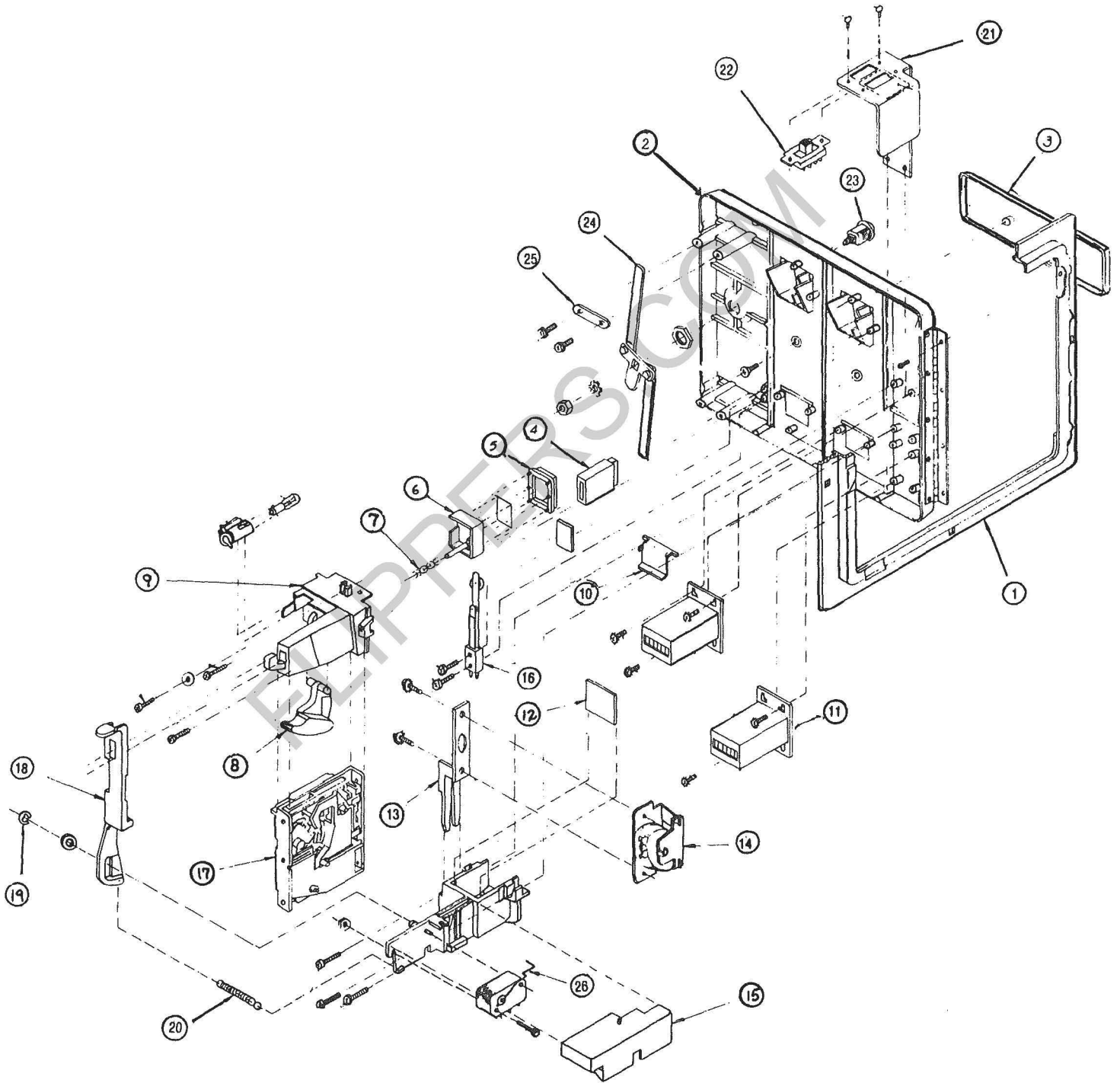


COIN DOOR "B"

ITEM	TAITO PART NO.	DESCRIPTION	REFERENCE
1	61-00270-001	Door Frame	15-8039
2	61-00271-001	Door	15-8038
3	61-00273-001	Taito Name Plate	15-8115
4	63-00124-001	Coin Entry Slot	15-8074
5	63-00125-001	Push Button Cover	15-8072
6	63-00126-001	Push Button	15-8071
7	58-00007-001	Compression Spring	30-7722
8	63-00127-001	Reject Lever	15-8084
9	61-00274-001	Coin Chute	15-8075
10	63-00128-001	Coin Return Door	15-8083
11	33-00002-001	Coin Counter 6 V.A.C.	31-4550
12	61-00276-001	Guard	15-8092
13	63-00129-001	Coil Bracket	15-8080
14	23-00003-001	Coil Assortment	15-8091
15	63-00130-001	Switch Cover	15-8043
16	29-00036-001	Slam Switch	15-1255
17	59-00055-001	Plastic 85° Coin Acceptor	31-4014
18	63-00131-001	Coin Acceptor Retainer	15-8086
19	59-00020-025	¼" "E" Ring	30-0731
20	58-00008-001	Extension Spring	30-7372
21	61-00277-001	Service Switch Bracket (Switchcraft No. 46311 Mar.)	15-8030
22	29-00037-001	Service Switch	23-1339
23	07-00242-001	Lock ⅝" Assembly	34-1855
24	07-00243-001	Lock Cam Assembly	55-2909
25	61-00278-001	Lock Cam Plate	55-2909
26	61-00279-001	Wire Form (Coin Switch)	23-1348
27*	09-00258-001	Door Cable Assembly	15-0868

*Item not shown on drawing.

COIN DOOR "B"



SERVICE TIPS

FAST AID HOT LINE: 800-323-0666
EXCEPT ILLINOIS: 312-981-1000 Ext. 215
TELEX: 253290



- MANDATORY
- ON FAILURE ONLY
- FOR YOUR INFORMATION

83-11

ATTN: SERVICE MANAGERS

GAME: ZOO KEEPER

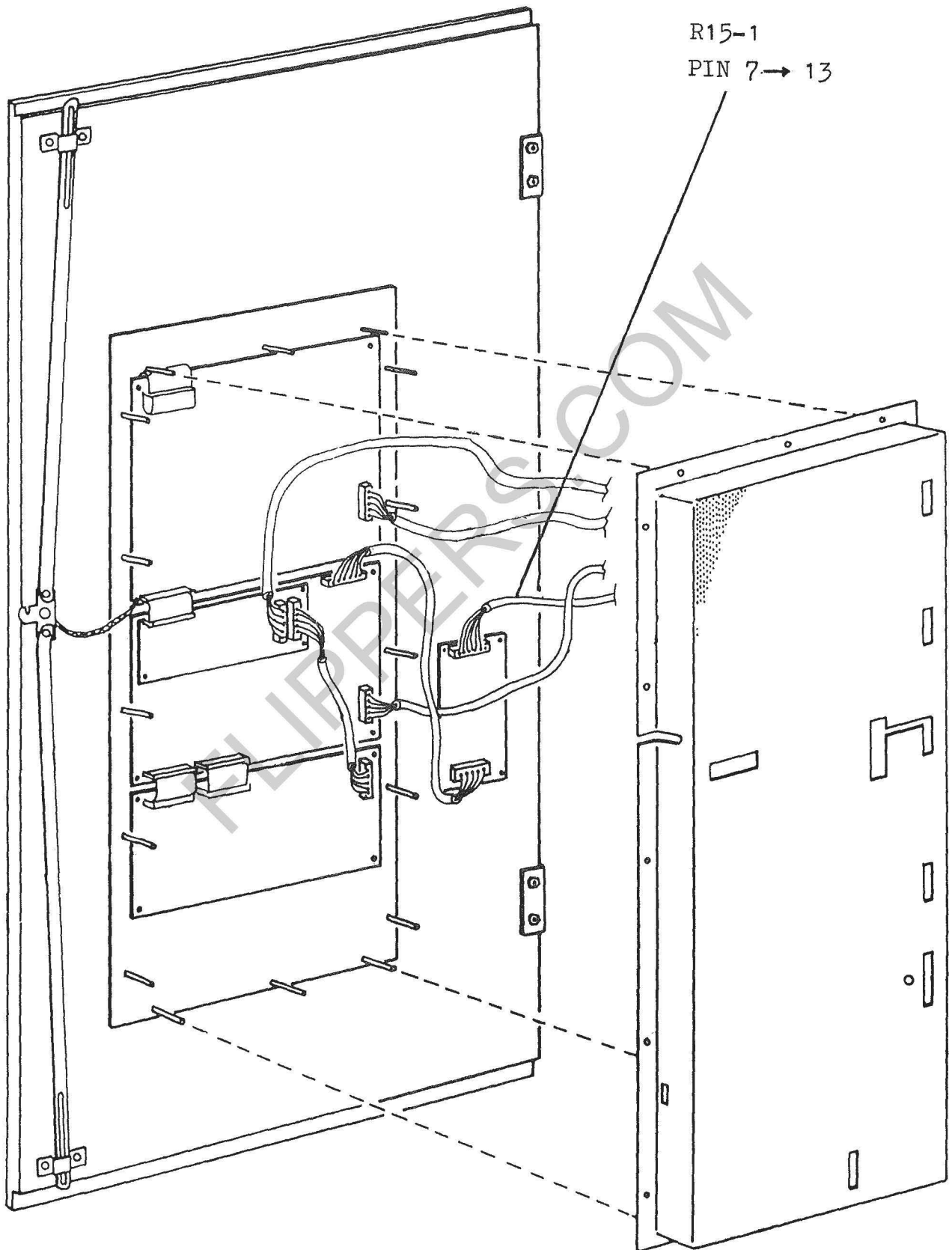
SUBJECT: ENABLING THE COIN COUNTER

SOLUTION: REWIRE COIN DOOR CABLE

PARTS NEEDED: NONE

PROCEDURE: TURN OFF GAME. OPEN BACK DOOR AND LOCATE COIN DOOR BOARD (SEE FIGURE 1). REMOVE THE TOP R15 CONNECTOR. TAKE OUT PIN 7 OF THE CONNECTOR AND PUT IT INTO PIN 13.

FIGURE 1



SERVICE TIPS

FAST AID HOT LINE: 800-323-0666
EXCEPT ILLINOIS: 312-981-1000 Ext. 215
TELEX: 253290



- MANDATORY
- ON FAILURE ONLY
- FOR INFORMATION ONLY

83-12

ATTN: SERVICE MANAGERS

GAME: ZOOKEEPER

SUBJECT: THE CORRECT CABLING OF THE ZOOKEEPER BOARD SYSTEM.

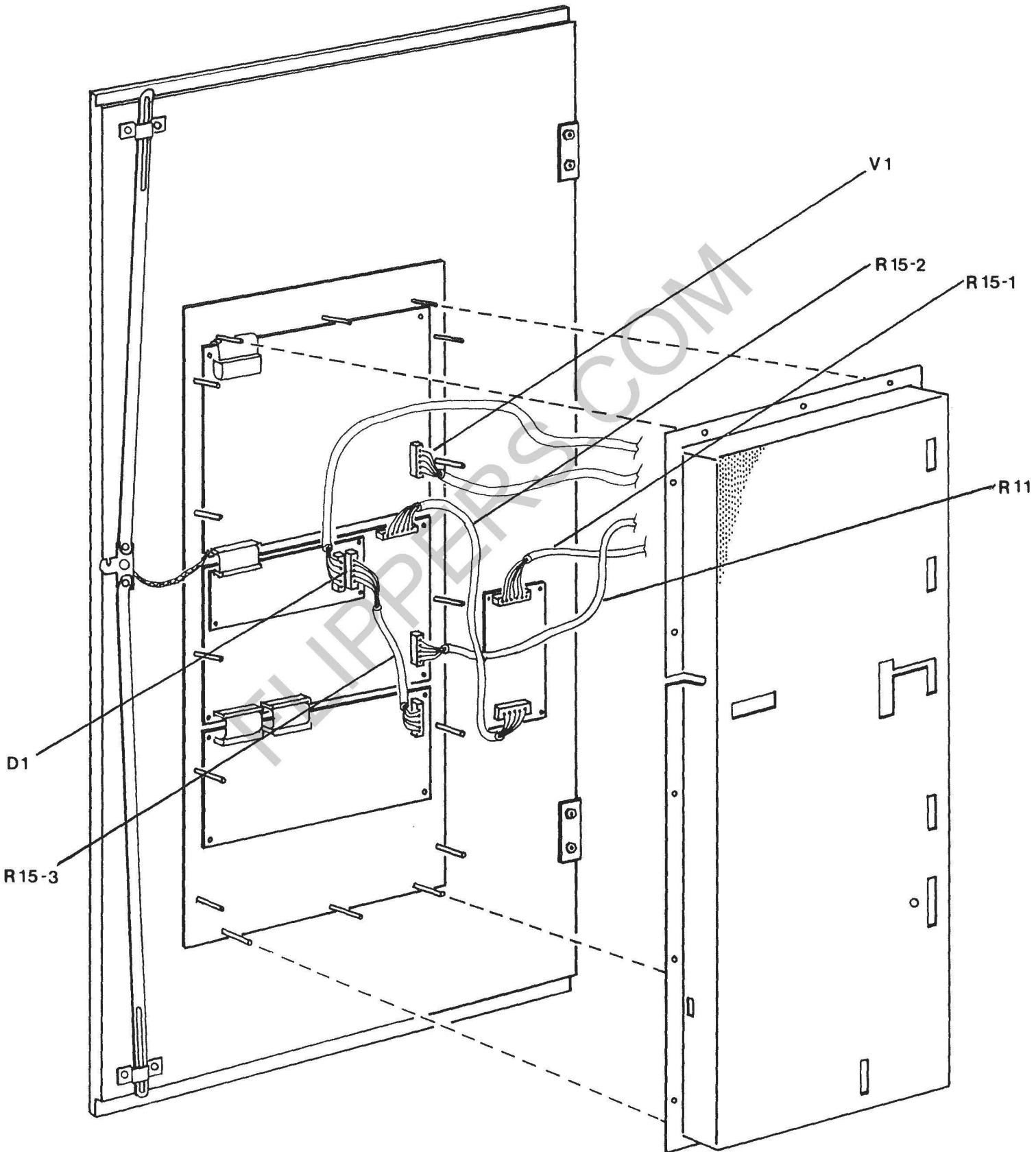
SOLUTION: THE FOLLOWING IS THE CORRECT WAY TO CONNECT THE
"R15" CABLES.

PARTS NEEDED: NONE

PROCEDURE: YOU WILL NOTICE THAT WHEN ALL THE CABLES ARE OFF THE BOARDS THERE WILL BE TWO CABLES THAT WILL BE LOOSE. BOTH OF THESE CABLES ARE MARKED "R15". THERE IS ANOTHER CABLE THAT IS LABELED "R15" ON THE MAIN HARNESS. THESE ARE THE CABLES WE WILL BE DISCUSSING.

THE "R15" ON THE MAIN HARNESS IS CONNECTED TO THE TOP CONNECTOR OF THE COIN DOOR PROCESSOR BOARD (REFER TO FIGURE 1 "R15"-1). ONE OF THE "R15" CABLES IS CONNECTED BETWEEN THE BOTTOM CONNECTOR OF THE COIN DOOR PROCESSOR AND THE "J15" CONNECTOR ON THE ROM I/O BOARD (FIGURE 1 "R15"-2). THE OTHER "R15" CONNECTOR GOES BETWEEN "J1" ON THE EXTENDED ROM BOARD AND "J1" ON THE DATA/SOUND BOARD (FIGURE 1 "R15"-3).

FIGURE 1



SERVICE TIPS

FAST AID HOT LINE: 800-323-0666
EXCEPT ILLINOIS: 312-981-1000 Ext. 215
TELEX: 253290



- MANDATORY
- ON FAILURE ONLY
- FOR YOUR INFORMATION

83-15

ATTN: SERVICE MANAGERS

GAME: ZOO KEEPER

SUBJECT: POWER CONNECTORS BEING PLUGED INTO J15 ON THE ROM I/O BOARD.

SOLUTION: REPLACE D11 AND U11 ON ROM I/O BOARD.

PARTS NEEDED: ONE 68A21 PART NUMBER 15-00004-001
ONE 1N4001 DIODE PART NUMBER 13-14001-001

PROCEDURE: WHEN ONE OF THE POWER CONNECTORS IS PLUGED INTO J15 ON THE ROM I/O BOARD, +12 VOLTS IS APPLIED TO D11 AND U11. IF YOU CHECK THE DIODE WITH A DIODE CHECKER, IT WILL PROBABLY CHECK LIKE A GOOD DIODE. REPLACE THE DIODE AND U11 ANYWAY.

TAITO AMERICA CORPORATION
1256 Estes Ave., Elk Grove Village, IL 60007

ROM/I/O P.C. ASSEMBLY COMPONENT LAYOUT

FIGURE 1

