

Telecommu
ONOP

TELEPOST

TPR741 APR 10 1231 EST

US MAILGRAM

(1228)(4-0230298100)PD 04/10/81 1229

ICS IPHNGZ CSP

3129811000 MGH TOWN ELK GROVE VILLAGE IL 181 04-10 1229P EST

Telecommunications
ONOP

JAMES WEATHERHEAD

CARE J E WEATHERHEAD DISTRIBUTING LTD

4318 DAWSON ST

MURNABY BC CAN V5C 4R6

APR 13 1980

Postes
Canada

ZARZON ZARZON ZARZON

Canada
Post



IT HAS BEEN BROUGHT TO OUR ATTENTION THAT SOME DISTRIBUTORS HAVE ABOVE UNIT IN THEIR SHOWROOM WITH CREDITS ON THE SCREEN AND THE GAME NOT IN THE APPROPRIATE ATTRACT MODE REPEAT NOT IN THE APPROPRIATE ATTRACT MODE. THIS ELIMINATES TO THE PROSPECTIVE BUYER THE TRUE ACTION AND PLAY APPEAL. RECOMMEND THAT ALL GAMES IN THE SHOWROOM BE IN THE ATTRACT MODE ONLY REPEAT IN THE ATTRACT MODE ONLY AND CAN BE COINED WHEN BEING DEMONSTRATED.

Telecommunications
ONOP

ZARZON WAS DESIGNED SPECIFICALLY TO CHALLENGE PLAYERS OF EVERY SKILL LEVEL NOT ONLY THE NOVICE. THEREFORE, ONE OF THE MOST IMPORTANT INGREDIENTS IS TO HAVE THE GAME IN THE ATTRACT MODE WHICH WILL INDICATE ALL OF THE GAME FEATURES AND SEQUENCES.

THE FACTORY HAS BEEN RECEIVING MANY CALLS FROM OPERATORS ALL OVER THE COUNTRY CONGRATULATING US ON MAKING AVAILABLE TO THEM A SKILLFUL SPACE GAME. KINDLY BE GUIDED ACCORDINGLY AND EXPECT TO RECEIVE YOUR COOPERATION AND SUBSEQUENT ORDER WHEN REQUESTED.

REGARDS

J H MITTEL, TRITO AMERICA CORPORATION

Telecommunications
ONOP
NNNN

TAITO AMERICA CORPORATION

1256 ESTES AVENUE • ELK GROVE VILLAGE, IL 60007
(312) 981-1000 • TELEX 253290 CABLE TAMCO ELK GROVE VILLAGE

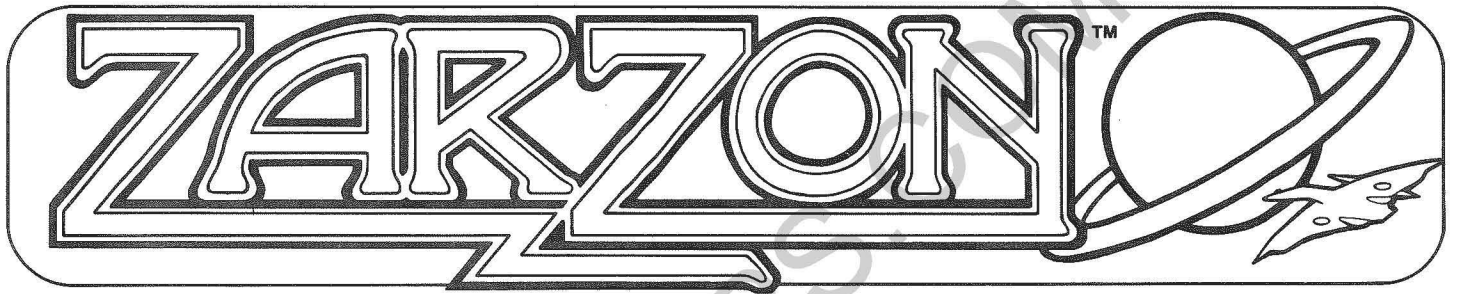
April 29, 1981

TO: ALL TAITO AMERICA CORPORATION DISTRIBUTORS

RE: ZARZON MANUALS

ENCLOSED YOU WILL FIND AMENDMENT PAGES FOR YOUR ZARZON
MANUALS. PLEASE KEEP TWO (2) FOR YOUR SERVICE DEPARTMENTS'
MANUALS AND DISTRIBUTE THE REMAINING (1 FOR EACH GAME YOU
HAVE RECEIVED) TO YOUR OPERATORS WHO HAVE PURCHASED ZARZONS.

TAITO AMERICA CORPORATION



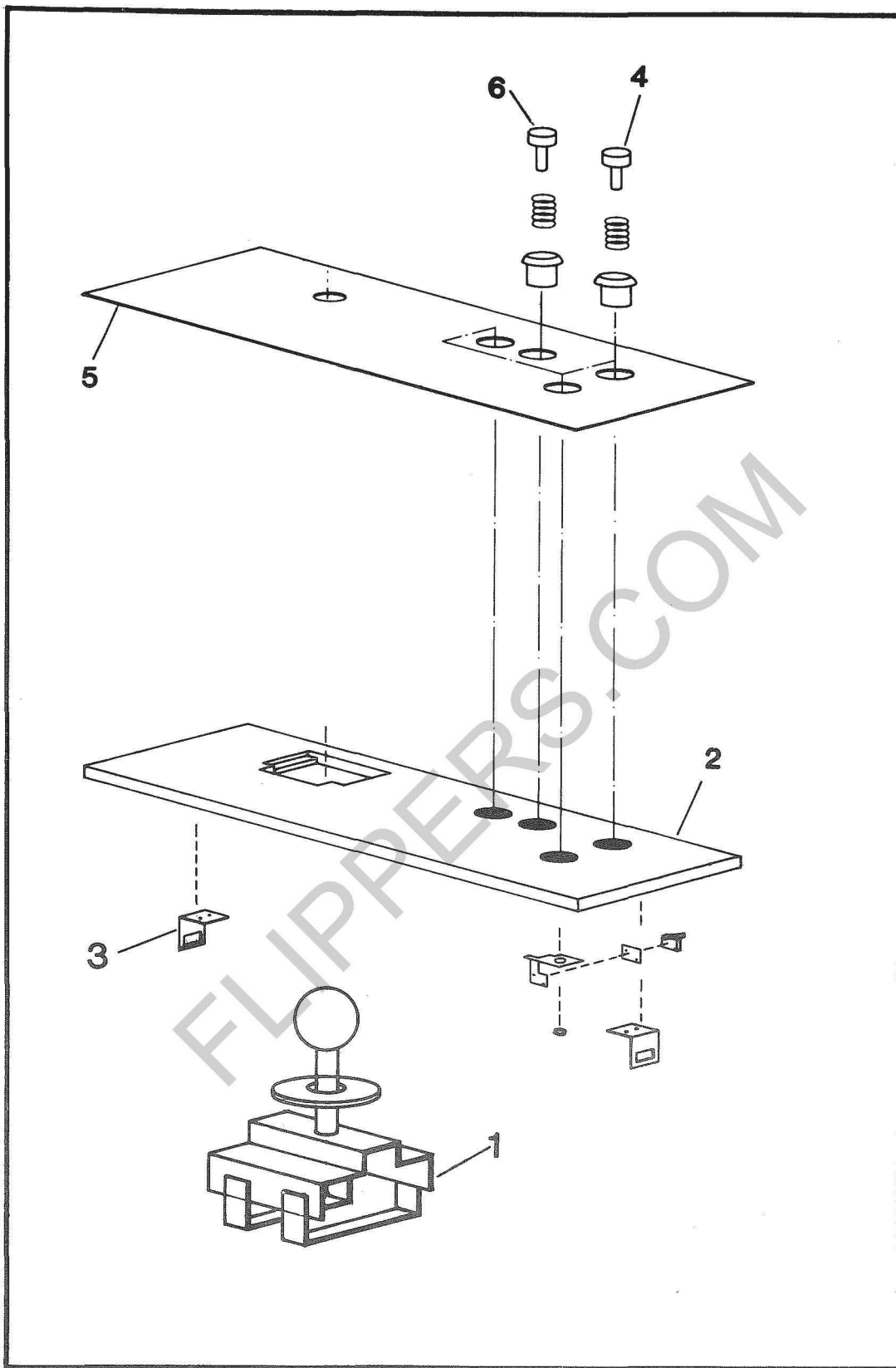
ELIPPERS

AMENDMENTS



CONTROL PANEL

FIGURE 4



11

| ITEM | TAITO PART NO. | DESCRIPTION | REFERENCE |
|------|----------------|------------------------------|-----------|
| 1 | 29-00011-001 | Joystick Assembly (2-way) | 850084 |
| 2 | 42-00063-001 | Control Panel Wood | |
| 3 | 61A00015-001 | Strike Hook | 390003 |
| 4 | 29-00009-0013 | Push Button Assembly (White) | BK00004 |
| 5 | 47B00008-001 | Dash Panel, Screened | |
| 6 | 29-00008-001 | Push Button Assy (Red) | BKO 00003 |

10

SERVICE TIPS

FAST AID HOT LINE: 800-323-0666
EXCEPT ILLINOIS: 312-981-1000 Ext. 215
TELEX: 253290



MANDATORY

81-6

ON FAILURE ONLY

FOR YOUR INFORMATION ONLY

ATTN: SERVICE MANAGER

GAME: ZARZON

SUBJECT: STATIC SOUND ON THE "GO TO SATURN" OR IT WILL STAY AT THE
LAST NOTE TO LONG

SOLUTION: RESISTOR CHANGE

PARTS NEEDED: ONE 33K OHM RESISTOR

DISPOSITION OF OLD PARTS: SCRAP

PROCEDURE: WITH THE G CONNECTOR FACING YOU, DISCONNECT THE RIGHT LEG OF R1 (SEE FIGURE 1). IF THAT FIXES THE PROBLEM, REPLACE IT WITH A 33 OHM RESISTOR. IF IT DOES NOT FIX THE PROBLEM, REPLACE IC17 (76477) CHIP.

SOME BOARDS HAVE A DIFFERENT NUMBERING SYSTEM, ON THOSE BOARDS IT WOULD BE R60 AND IC55. THEY WOULD BE AT THE SAME LOCATION.

FIGURE 1.

