



SERVICE
SERVICE
SERVICE

TIPS
TIPS
TIPS

TOLL-FREE NO. 800-323-0666

APR 2 1981

TO: All Tamco Distributors
ATTENTION: Service Manager
SUBJECT: Crazy Climber High Score Dip Switch Adjustment For Additional Climber.

Our present Crazy Climber Manual indicates that switch number 3 controls this feature, however, it is switch number 7 that controls this function.

The scoring settings for additional climbers can be made by adjusting dip switch number 7 as follows:

"Off" position: 30,000 points awards one (1) extra climber.

"On" position: 50,000 points awards one (1) extra climber.

Set switch number 3 to the off position.

Set switch numbers 7 and 8 to the on position for the free play mode.

Regards,

Rene Lopez/Service Manager

RL/el

SERVICE TIPS

FAST AID HOT LINE: 800-323-0666
EXCEPT ILLINOIS: 312-981-1000 Ext. 215
TELEX: 253290



- MANDATORY
- ON FAILURE ONLY
- FOR YOUR INFORMATION

81-4

ATTN: SERVICE MANAGERS

GAME: CRAZY CLIMBER

SUBJECT: MIRROR IMAGE OF VIDEO OR IMAGE UPSIDE DOWN

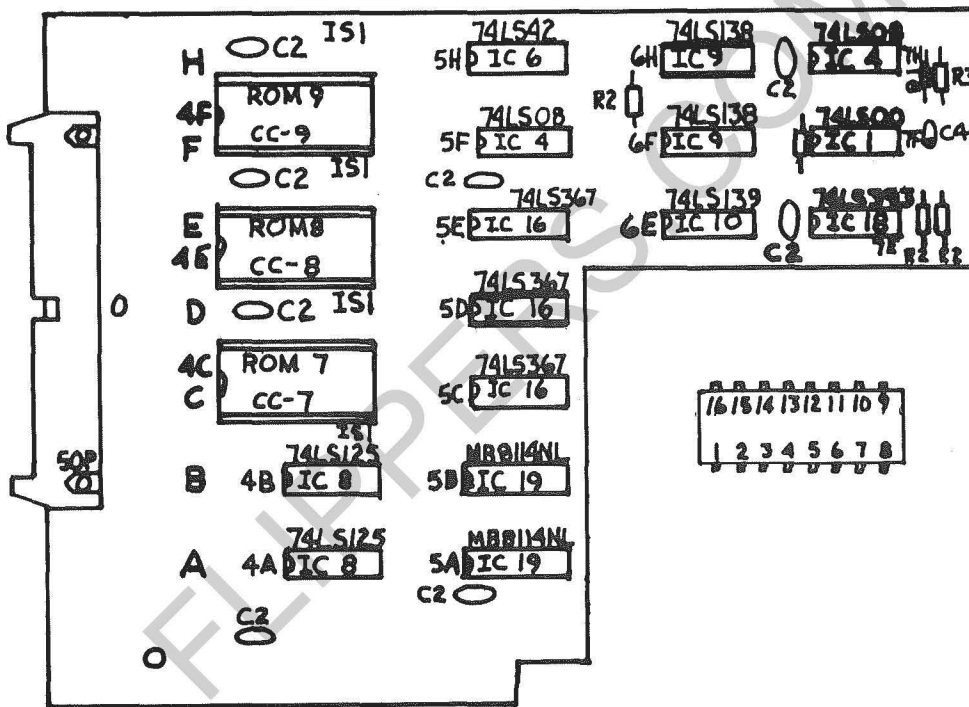
SOLUTION: ADD CAPACITOR AND CHANGE CHIP

PARTS NEEDED: ONE 0.1uf CAPACITOR
ONE 74LS138 CHIP

DISPOSITION OF PARTS: SCRAP

PROCEDURE: ADD 0.1uf CAPACITOR BETWEEN PIN 8 AND PIN 16 ON IC16 LOCATION 5D (REFER TO FIGURE 1) CAREFULLY CHANGE IC9 LOCATION 6H (REFER TO FIGURE 1).

FIGURE 1



TAITO AMERICA CORPORATION

1256 ESTES AVENUE • ELK GROVE VILLAGE, IL 60007
(312) 981-1000 • TELEX 253290 CABLE TAMCO ELK GROVE VILLAGE

May 29, 1981

Dear Distributor:

SUBJECT: CRAZY CLIMBER WITH JAPANESE SPEECH

Some Crazy Climber Cocktail Table games have Japanese speech.

To change them to English speech, four (4) ROMS must be changed. When ordering these ROMS through our Parts Department, Please request the Crazy Climber English Speech ROM kit. This kit includes four (4) ROMS and instructions for the conversion. The Japanese speech ROMS must be returned to us to insure full credit.

Also when ordering the English speech ROMS you must specify the manufacturer. The Parts Department will send the proper replacement ROMS from the same manufacturer. These ROMS cannot be substituted with ROMS from another manufacturer. It is important that you specify whether the ROMS are Fujitsu, Hitachi, or Texas Instrument when you order the English ROMS.

Your cooperation will assure prompt and correct response to your request for the English speech ROMS.

Thank you.

Sincerely,



Rene A. Lopez
Field Service Manager
TAITO AMERICA CORPORATION

RAL/ilc

TAITO CREDIT PCB.
"D"

POLARIS, STRATOVOX, CRAZY CLIMBER,
COLONY 7 ETC.

BOARD "D" HAS ONLY 1 SET OF
4 DIP SWITCHES.

FOR 50¢ PER PLAY, SET SWITCHES
AS FOLLOWS:

SW 1 - OFF

SW 2 - ON

SW 3 - OFF

SW 4 - OFF

For modifying older games an extra board
part # 800038 for \$31.26 (US.) is available