

Nov 10 1981

SEGA[®]/Gremlin[®]

SERVICE NOTE

EFFECT: ELIMINATOR

NUMBER: 001 (10-27-81)

An error in the ELIMINATOR Owner's Manual (Gremlin P/N 420-0603) has been found, and corrections to the schematics should be made as follows:

Drawing Number 700-0062; Sheet 8 Zone 1C & 2C, P4- pin assignments
(WAS) (IS)

Pin 5- BRN THRUST 1

Pin 5- RED FIRE 1

Pin 8- RED FIRE 1

Pin 8- BRN THRUST 1

Pin 11- WHT THRUST 2

Pin 11- VIO FIRE 2

Pin 12- VIO FIRE 2

Pin 12- WHT THRUST 2

Drawing Number 800-3168; Zone 4C & 4D

(WAS)

(IS)

Pin 5- BRN 17.00 [431.8]

Pin 5- RED 17.00 [431.8]

Pin 8- RED 17.00 [431.8]

Pin 8- BRN 17.00 [431.8]

Pin 11-WHT 6.00 [152.4]

Pin 11-VIO 5.00 [127]

Pin 12-VIO 5.00 [127]

Pin 12-WHT 6.00 [152.4]

P4

P4



SERVICE NOTE

EFFECT: ELIMINATOR

NUMBER: 002 11-11-81

Occasionally, multiplier problems (gate racing) resulting in a frozen display can be alleviated by modifying the X-Y Timing Board as follows: PCB # 170-0218, 800-0106 Assy, Rev. A

1. cut pin-1 of U14 as close to the PC Board as possible and lift the pin away from the board.
2. install a 2.25" jumper wire (AWG 30, 28, or 26) from pin-5 of U23 to pin-1 of U14 (on leg of the IC).

This rework will be incorporated on 170-0218 Rev. E.

FLIPPERS.COM

EFFECT: ELIMINATOR

NUMBER: 003 11-11-81

An error was found on page 46 of the Owners Manual (P/N 420-0603), the A.C. Junction Box Assy. Item 8 should read:

<u>ITEM NO.</u>	<u>PART NO.</u>	<u>QTY REQD.</u>	<u>DESCRIPTION</u>
8	514-0053	1	5 amp fuse, 250 V, Slow-Blow

It is possible that some ELIMINATOR games may have left the factory with fast-blow fuses in the "J-Box". These should be replaced with a slow-blow fuse, as above.

Also, 220 VAC installations (i.e. Europe) in addition to an input transformer strapping modification (input AC to pins 1 and 4), must change down to a 3 amp fuse, 250 V, Slow-Blow (P/N 514-0011).

DEC 15 1981

SEGA[®]/Gremlin[®]

SERVICE NOTE

EFFECT:ELIMINATOR

NUMBER:004 11-11-81

In response to a number of requests for a choice of coin mechanisms and a light for the coin mech, the following additions should be made to the Owners Manual (P/N 420-0603):

Schematics; add the enclosed (-01) wiring diagram to your manual.

Parts List; add the enclosed Top Assembly revised Parts List to your manual.

FLIPPERS.COM

ELIMINATOR

TOP ASSEMBLY

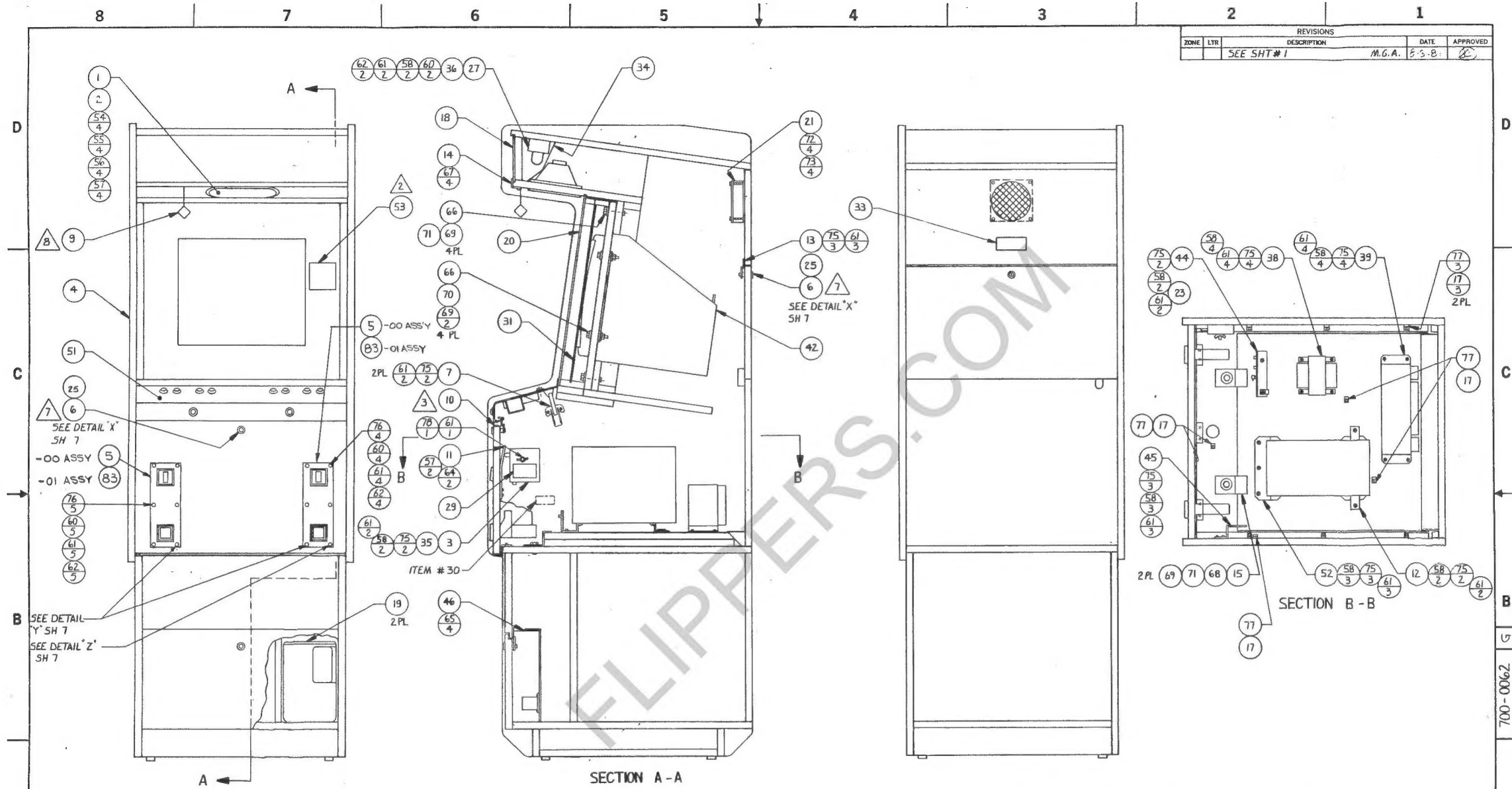
DRAWING NUMBER 700-0062

<u>ITEM NO.</u>	<u>PART NO.</u>	<u>QTY REQD.</u>	<u>DESCRIPTION</u>
1	130-0020	1	Speaker, Game 6 X 9, 10W
2	130-0002	1	Speaker, Cover 6 X 9
3	140-0021	1	Cover, J Box
4	140-0055	1	Cabinet, Universal Upright
5	220-0160	2	Coin Mech
6	220-0167	2	Lock, Coin Mech Door (& Back)
7	220-0178	2	Draw Catch
8	420-0656	1	Decal, Self-Test Instructions
9	420-0636	1	Tag, Extra Value
10	250-0038	1	Molding Strip
11	250-0048	1	Clip Switch
12	250-0458	1	Saddle, G-80 Cage
13	250-0481	1	Strike Plate
14	250-0492	1	Molding, Logo Panel
15	250-0497	2	Clamp, Component Board
16			
17	280-0345	11	Tie Wrap, Screw Mounted
18	253-0232	1	Logo, ELIMINATOR Panel
19	253-0222	2	Coin Recepticle
20	253-0228	1	Panel, Clear Monitor
21	800-0298	1	Assy, Cabinet #2 Fan
22	280-0005	30	Cable Tie
23	280-0324	2	Cable Clamp, Nylon
24	280-0327	8	Tie Wrap, Base
25	280-0360	2	Lock Washer Lock
26	280-0359	2	Crimp Sleeve, Elec.
27	390-0019	1	Lamp, Fluorecent
28	420-0028	1	Decal, S/N
29	420-0030	1	Decal, Caution 115VAC
30	420-0041	1	Decal, Small S/N
31	420-0642	1	Graphic, Interior ELIMINATOR, Univ.
32	420-0603	1	Manual, ELIMINATOR
33	420-0568	1	Decal, FCC
34	420-0624	1	Baffle, Light
68	282-0017-16	2	Bolt Hex Hd Mach # $\frac{1}{4}$ -20 X 1.0
69	284-0027-00	14	Washer (fender) Flat Lrg. O.D. # $\frac{1}{4}$
70	283-0007-00	4	Nut Hex, Self-locking Mach # $\frac{1}{4}$ -20
71	284-0037-00	10	Washer, Lck Split, Steel # $\frac{1}{4}$
72	281-0042-32	6	Scr Pn Hd Phl Type A/AB #6-18 X 2.0

<u>ITEM NO.</u>	<u>PART NO.</u>	<u>QTY REQD.</u>	<u>DESCRIPTION</u>
73	284-0002-00	4	Washer Flat, Std O.D. Steel #6
74			
75	281-0045-12	27	Scr Pn Phl S/M Type A/AB #10-12 X .750
76	284-0006-00	12	Washer, Flat #10 X .750
77	281-0074-12	11	Scr, Flat Hd Phl #8-15 X .75 82°
78	283-0015-00	1	Wing Mach #10-24
79	420-0671	1	Decal, ELIMINATOR Box
80	800-0314	1	Assy, Harness Power
81	800-0315	1	Assy, Harn C/M Lighting
82	800-0321	1	Assy, Harn Coin Mech Univ.
83	220-0194	*	Coin Mech w/ Lighting
	220-0195	*	Coin Mech w/ Lighting

*- A total of two (2) Coin Mechs of either P/N 220-0194 or P/N 220-0195.
ITEM NO.s 80-83 relate to -01 Assy, DRAWING NUMBER 700-0062

FLIPPERS.COM



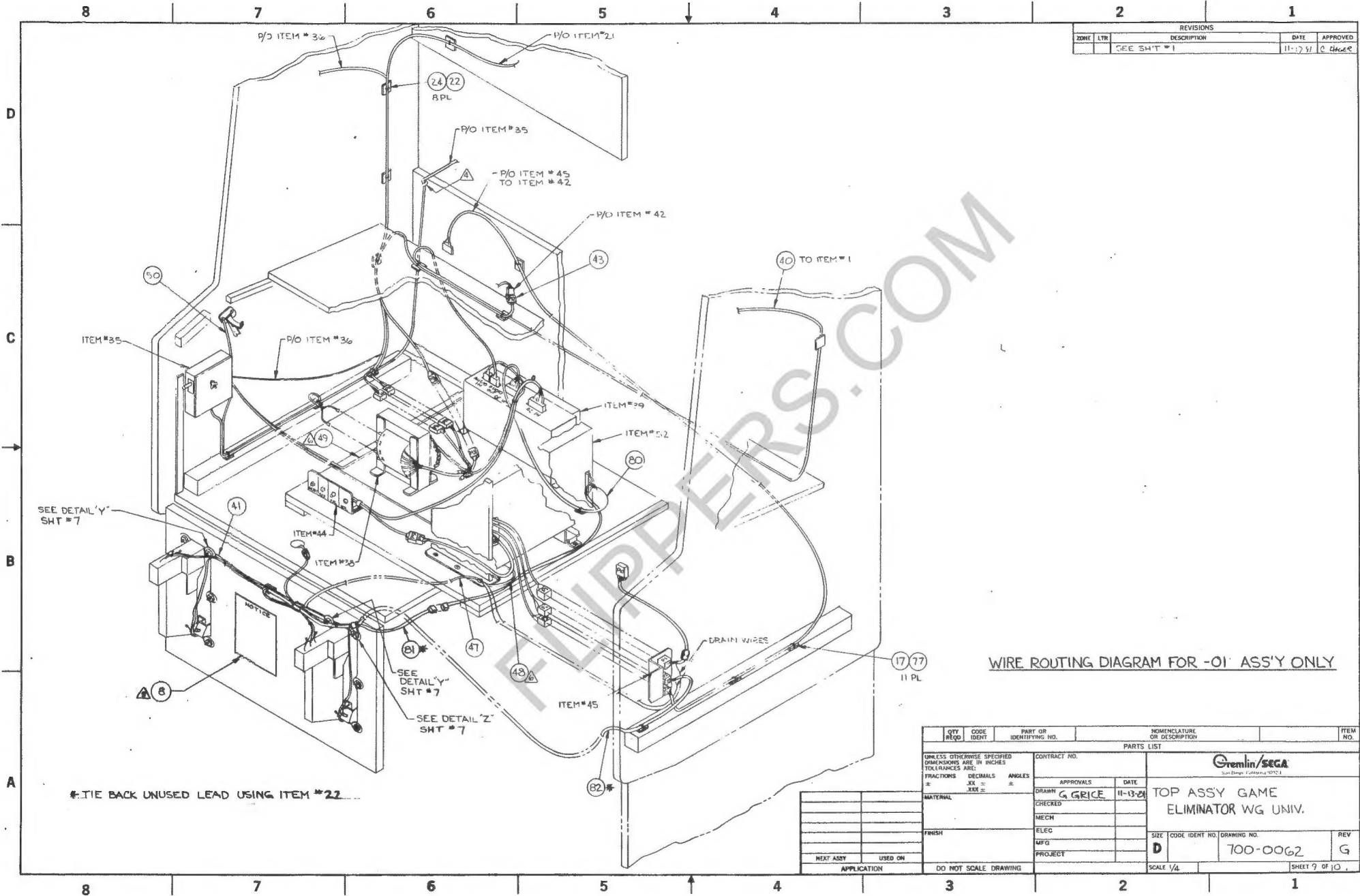
REVISIONS				
ZONE	LTR	DESCRIPTION	DATE	APPROVED
		SEE SHT # 1	M.G.A.	5-5-B

- ▲ STAPLE TO MOUNTING BOARD.
 5 ALL HARNESS ASSY TO BE SECURED EVERY 3 TO 4 INCHES USING ITEM #22 EXCEPT ITEM #40 AND POWER CORD.
 ▲ INSTALL RESTRAINT KNOT IN POWER CORD PRIOR TO EXIT FROM CABINET.
 ▲ STAPLE ITEM #10 TO COIN MECH DOOR USING 4-7/16 WIDE X 3/4 LG. 12 GA STAPLES.
 ▲ APPLY DECAL, ITEM 53, OVER EXISTING GAME INSTRUCTIONS.
 ▲ INSTALL ELEC CRIMP SLEEVE, ITEM 26, BEFORE SECURING COIN COUNTER ASSY, ITEM 46.

- ▲ APPLY DECAL, ITEM B, TO INSIDE OF COIN MECH DOOR BETWEEN TWO COIN MECHS, SO THAT IT CAN BE READ WHEN THE COIN MECH DOOR IS OPEN.
 ▲ EXTRA VALUE TAG, ITEM #9 TO BE ATTACHED TO ONE (1) SCREW, ON ITEM #14, MOLDING, PANEL LOGO.
 ▲ DISCARD WASHER AND TRIM WASHER THAT COMES WITH ITEM #6, LOCK, AND USE ITEM #25, LOCK, LOCK WASHER. PRONGS ON ITEM #25 MUST BE TOTALLY EMBEDDED INTO DOOR. JAM NUT TO BE TIGHTENED TO 15-20 FT.LB.

QTY REQD	CODE IDENT	PART OR IDENTIFYING NO.	NOMENCLATURE OR DESCRIPTION
PARTS LIST			
UNLESS OTHERWISE SPECIFIED DIMENSIONS ARE IN INCHES TOLERANCES ARE:		CONTRACT NO.	
±	XX ±	ANGLES	APPROVALS
±	XXX ±		DATE
MATERIAL		DRAWN SON DUONG	6-11-81
FINISH		CHECKED G. GEILE	6-16-81
NEXT ASSY		GRENIN INDUSTRIES, INC. SAN DIEGO, CALIFORNIA 92123	
USED ON		TOP ASSY GAME ELIMINATOR WG. UNIV.	
APPLICATION		SIZE	CODE IDENT NO. DRAWING NO.
DO NOT SCALE DRAWING		D	700-0062
		SCALE	REV
		NONE	G
		SHEET 6 OF 10	

700-0062



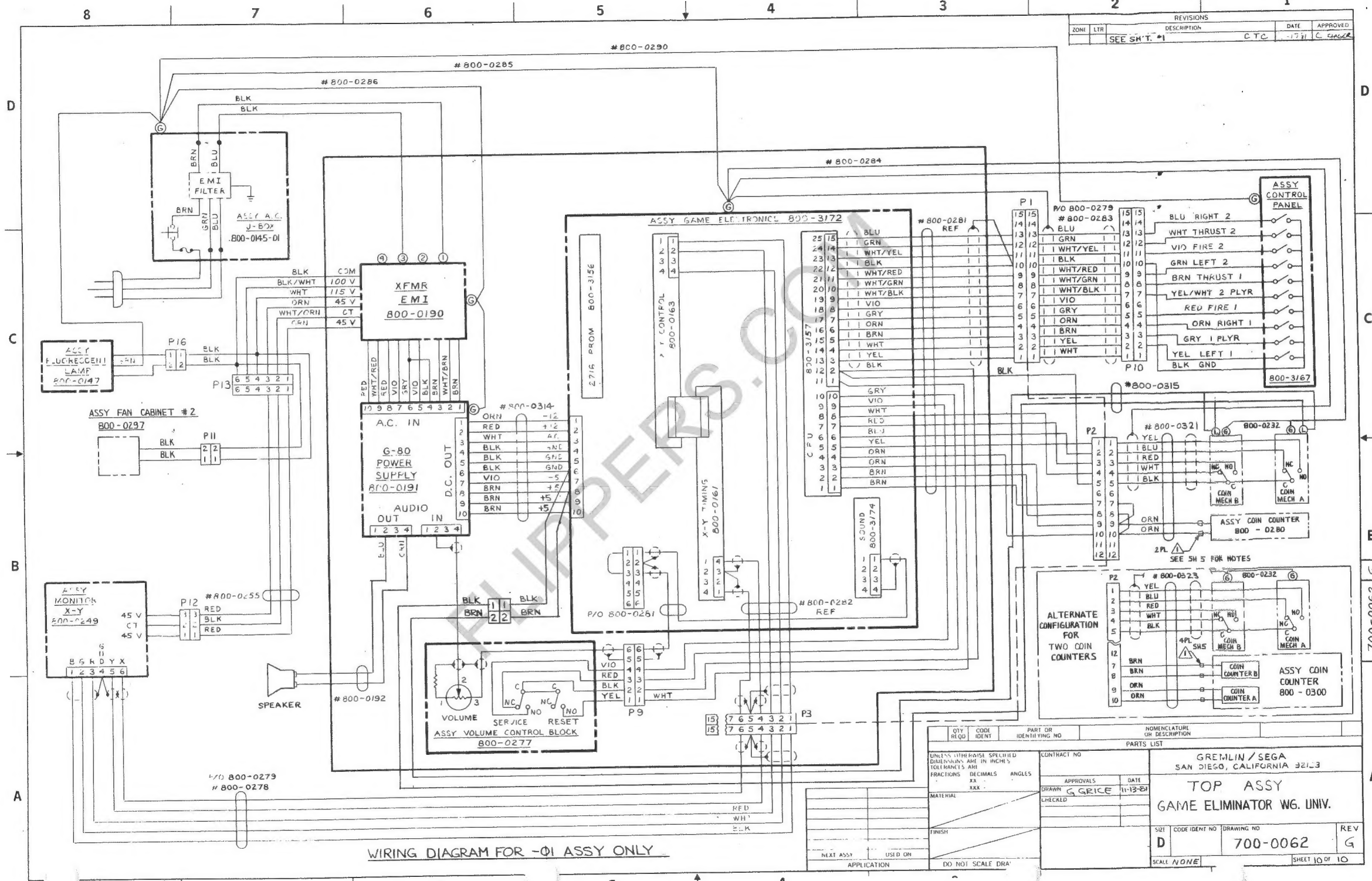
REVISIONS				
ZONE	LTR	DESCRIPTION	DATE	APPROVED
		SEE SHT #1	11-17-51	C. Grice

WIRE ROUTING DIAGRAM FOR -01' ASS'Y ONLY

QTY REQD	CODE IDENT	PART OR IDENTIFYING NO.	NOMENCLATURE OR DESCRIPTION	ITEM NO.
PARTS LIST				
UNLESS OTHERWISE SPECIFIED DIMENSIONS ARE IN INCHES TOLERANCES ARE:		CONTRACT NO.		
FRACTIONS	DECIMALS	ANGLES	APPROVALS	DATE
±	.XX	±	G. GRICE	11-13-51
MATERIAL	FINISH		 TOP ASSY GAME ELIMINATOR WG UNIV.	
USED ON	APPLICATION	DO NOT SCALE DRAWING	SIZE CODE IDENT NO. DRAWING NO. D 700-0062	REV G
			SCALE 1/4	SHEET 9 OF 10

700-0062 G

REVISIONS		DATE	APPROVED
ZONE	LTR	DESCRIPTION	
		SEE SH'T. #1	CTC



WIRING DIAGRAM FOR -01 ASSY ONLY

QTY	CODE	PART OR IDENTIFYING NO	NOMENCLATURE OR DESCRIPTION
			GREMLIN/SEGA SAN DIEGO, CALIFORNIA 92123
PARTS LIST			
UNLESS OTHERWISE SPECIFIED DIMENSIONS ARE IN INCHES FRACTIONS DECIMALS ANGLES XX .XXX .XXX		CONTRACT NO	APPROVALS DATE
MATERIAL		DRAWN G. GRICE 11-13-61	CHECKED
FINISH		SCALE NONE	
NEXT ASSY USED ON APPLICATION		DO NOT SCALE DRAWING	
SIZE	CODE IDENT NO	DRAWING NO	REV
D		700-0062	G
SHEET 10 OF 10			

JAN 15 1981

SEGA[®]/Gremlin[®]

SERVICE NOTE

EFFECT: ELIMINATOR

NUMBER: 005 12/16/81

A correction has been made to the ELIMINATOR Owner's Manual (P/N 420-0603) Drawing No. 700-0062-01, and to the ELIMINATOR Service Note 004, dated 11/11/81. Please correct your documentation to reflect the following:

	<u>ITEM</u>	<u>PART NO.</u>	<u>QTY REQD.</u>	<u>DESCRIPTION</u>
DELETE	21	800-0297	1	ASSY, FAN CABINET #2
ADD	21	260-0001	1	FAN, AXIAL COOLING, 110V
ADD	84	800-0322	1	ASSY, CORD FAN

FLIPPERS.COM

APR 16 1982



SERVICE NOTE

EFFECT: FOUR-PLAYER ELIMINATOR

NUMBER: 001 2/11/82

An error has been found in the FOUR-PLAYER ELIMINATOR Owner's Manual (P/N 420-0705), page 72, Top Assembly Drawing No. 700-0071, Zone 6-D. Please correct your schematic as indicated:

