

Installation Instructions

DUAL CHANNEL REMOTE VOLUME CONTROL ASSEMBLY

This control changes the 6-07438-01 125 Watt Stereo Amplifier into two separate monaural amplifiers, each with its own volume control. One phonograph can serve two separate areas with individual volume requirements.

	TERMINALS	WATTS PER SPEAKER
8 OHM SPEAKERS	E1 - E2	0.5
	E1 - E3	2
	E2 - E4	4.5
	E1 - E4	8
	E1 - E5	14
16 OHM SPEAKERS	E1 - E3	1
	E2 - E4	2.25
	E1 - E4	4
	E1 - E5	7
	E2 - E6	12
45 OHM WALL BOX SPEAKERS	E1 - E3	0.35
	E1 - E4	1.4 (NORMAL)
	E1 - E5	5
CONSTANT VOLTAGE SPEAKERS	A1 - A2	DETERMINED BY POWER SETTING AT EXTENSION SPEAKER

FIG 1

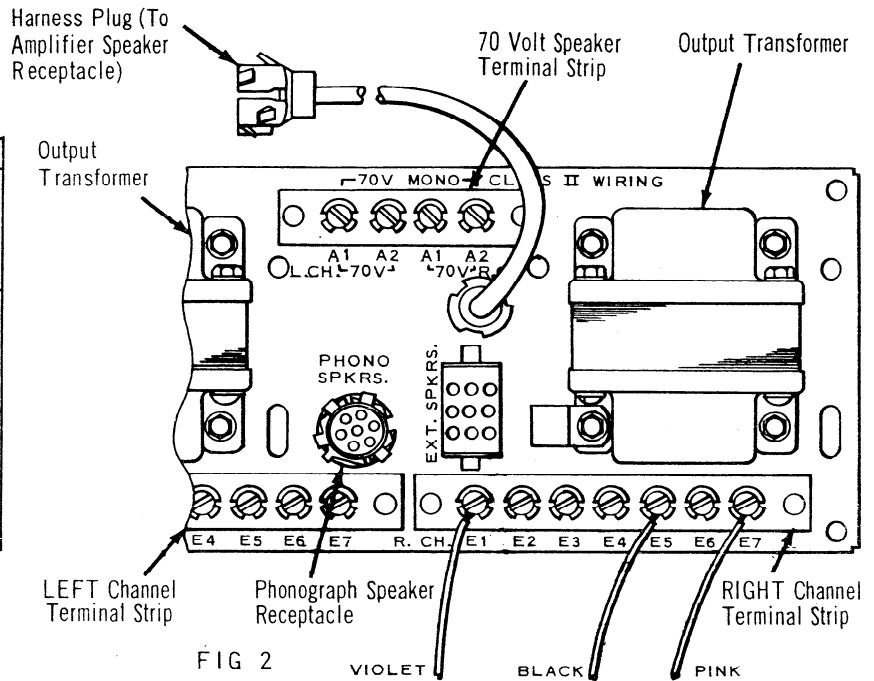


FIG 2

INSTALLATION INSTRUCTIONS:

1. Disconnect the violet, black and pink wires from the LEFT and RIGHT channel Output Transformer Ass'y,. Reconnect these wires to the RIGHT channel per FIG. 2. This connects the phono speakers to the RIGHT channel. The phono speakers will use 28 watts which leaves 34 watts for additional speakers that can be connected to the RIGHT channel. One knob of the volume control will control the volume of the RIGHT channel.
2. Connect the extension speakers to be controlled by the other knob of the volume control to the LEFT channel. A maximum speaker load of 63 watts can be connected. Use the chart in Fig. 1.
3. Slide the Mono-Stereo Switch on the Amplifier to the Mono position.
4. Install Remote Volume Control 3-06322-10 (with cable) or 3-06322-09 (less cable). Connect to the auxiliary equipment terminal strip in the phonograph as shown in Fig. 3. Be sure to move and install the jumper as shown. The outer knob on the volume control controls the RIGHT channel and the smaller inner knob controls the LEFT channel. Adjust the tone controls on each channel for optimum sound.

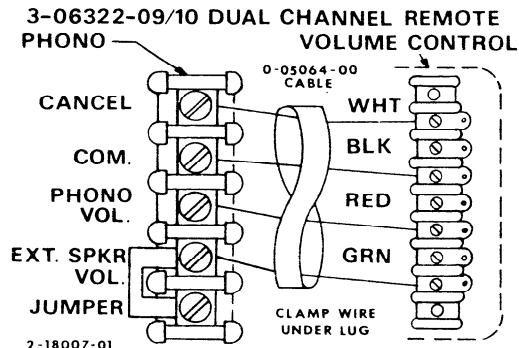


FIG 3



rowe international, inc.

1500 UNION AVE. S.E., GRAND RAPIDS, MICH. 49507, TEL. (616) 243-3633

2-18007-01

2-18008-01