

**ROCKOLA**

MODEL  
**476**

— and —

MODEL  
**484**

Stereo  
Phonographs  
160 Selections

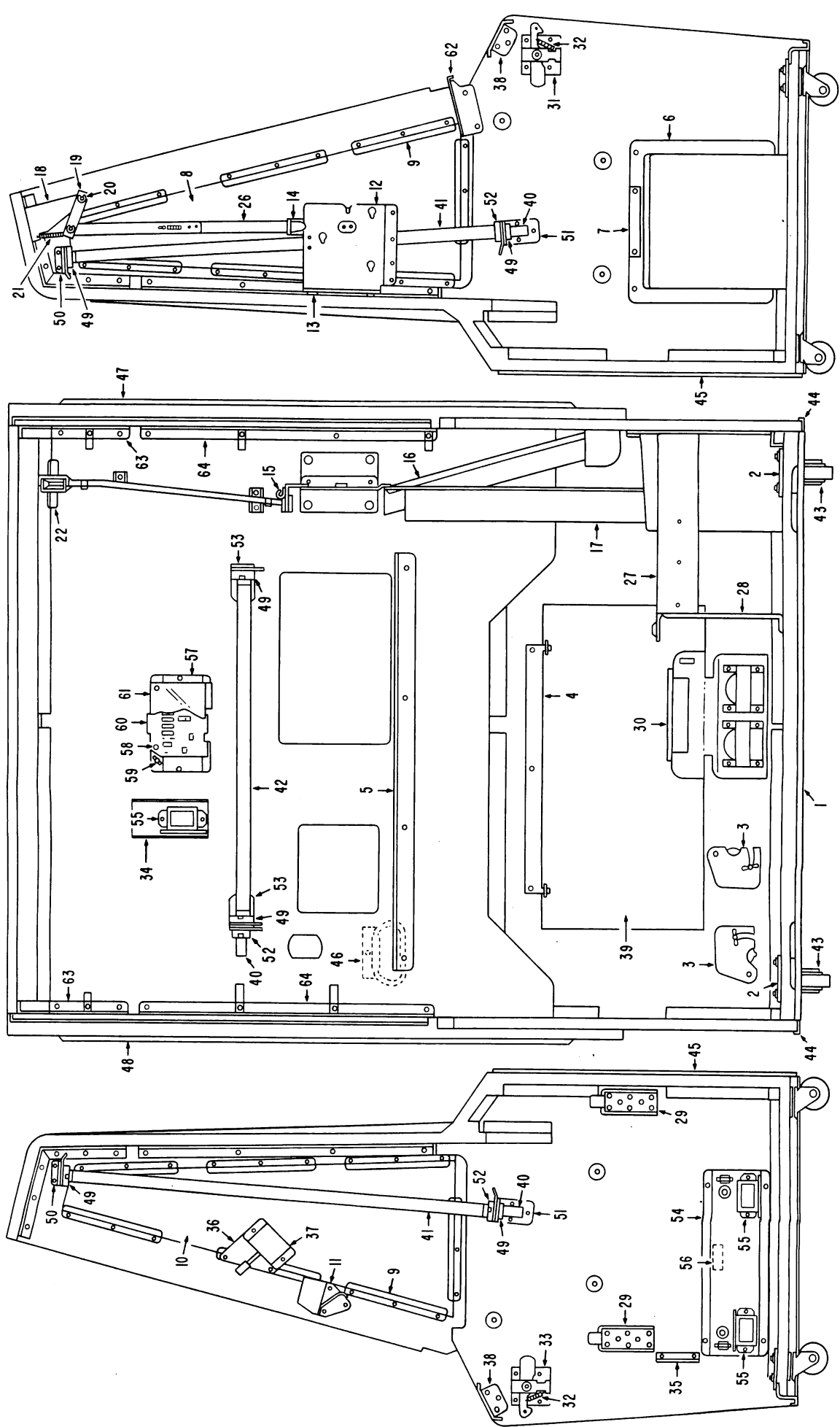
**DIGITAL  
MICROCOMPUTER  
SYSTEM**

**PARTS  
CATALOG**



## TABLE OF CONTENTS

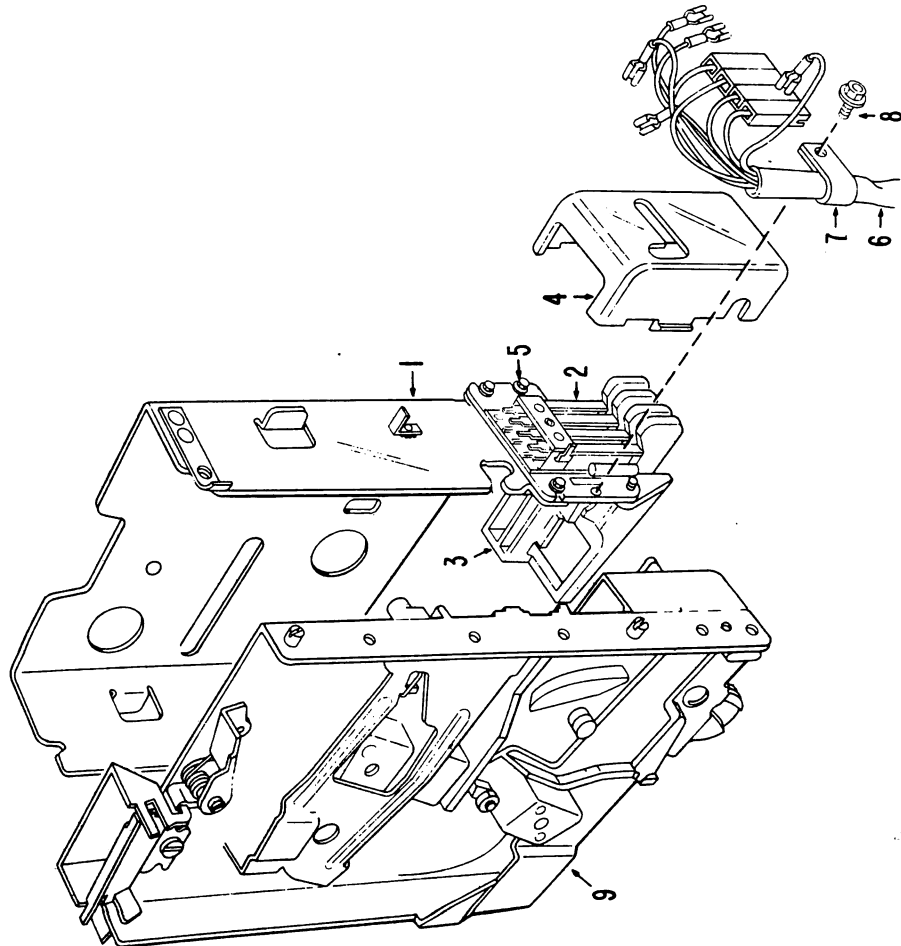
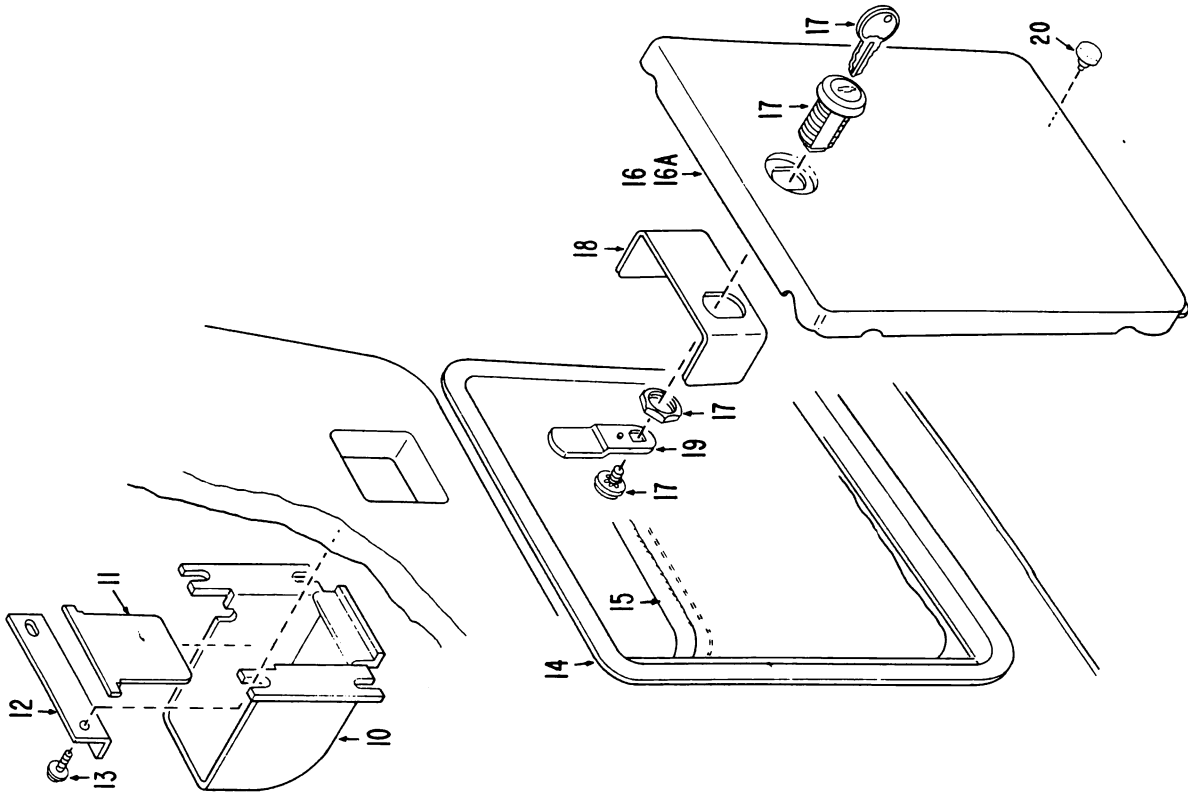
	PAGE
Cabinet Trim & Related Parts . . . . .	4-5
Rejector & Cash Box Housing Assembly . . . . .	6-7
Dome Assembly . . . . .	8-9
Card Holders Assemblies . . . . .	10
Module Assembly . . . . .	11
Front Door Assembly . . . . .	12
Audio Distribution Assembly . . . . .	13
Mechanism Assembly . . . . .	14 THRU 17
Tone Arm Assembly . . . . .	18-19
Turntable Assembly . . . . .	20-21
Gripper Housing Assembly . . . . .	22
Gripper & Magazine Motor Assemblies . . . . .	23-24
Flasher P.C. Board Assembly . . . . .	25
Keyboard P.C. Board . . . . .	26
Display P.C. Board Assembly . . . . .	27
Power Interface P.C. Board Assembly . . . . .	28-29
Logic P.C. Board Assembly (1st Version with Filter Boards) . . . . .	30-31
Logic Filter Board Assemblies . . . . .	32-33
Logic Filter Board Assembly (2nd Version without Filter Boards) . . . . .	33A-33B-33C
Pop Meter (Hit Tracker) P.C. Board Assembly . . . . .	34-35
Profit Setter (Credit Unit) P.C. Board Assembly . . . . .	36-38
Hit Tracker Plate & Cover . . . . .	39
Opto P.C. Board Assembly . . . . .	40
Battery P.C. Board Assembly . . . . .	41
Power Distribution Assembly . . . . .	42-43
Rectifier P.C. Board Assembly . . . . .	44-45
Regulator P.C. Board Assembly . . . . .	46-47
Amplifier Assembly . . . . .	48
Heat Sink & Driver P.C. Board Assembly . . . . .	49
Fuse P.C. Board Assembly . . . . .	50
Pre-Amp & AVC P.C. Board Assembly . . . . .	51
Tone Control P.C. Board Assembly . . . . .	52
Mute & Squelch P.C. Board Assembly . . . . .	52
Power Supply P.C. Board Assembly . . . . .	52
Amplifier P.C. Boards Parts List . . . . .	53-54



### CABINET AND RELATED PARTS

Item	Part No.	Description	Item	Part No.	Description	Item	Part No.	Description
1	53177-1	Door Mtg. Channel	26	53283-A	Connecting Link Assem.	48	53121-1	Cab. Side Casting L.H.
2	51712	Caster Backing Plate	27	53169	Mechanism Rail			(Bronze)
3	46956	Cable Cover	28	53168	Vertical Mech Support	49	46634	Flourescent Light Holder
4	52636-1	Back Door Lock Plate	29	52845	Mech Support Brkt.		49552	Light Socket Insulator
5	52869-1	Rest Angle	30	52465-A	Audio Dist. Assem.	50	53179	Light Mtg. Brkt. Upper
6	53149	Cash Box Housing	31	51476-A	Door Latch Assembly R.H.	51	53181	Light Mtg. Brkt. Lower
7	49043	Lock Strip Cash Box	32	34702	Spring	52	50607	Starter Socket Insul.
8	53581	Cab. Side Glass R.H.	33	51477-A	Door Latch Assembly L.H.		50751	Starter Socket
	53586	Display R.H.	34	47717-1	Ballast Insulator	53	53298	Light Bracket
	53234	Rubber Channel (Bottom Back Front)		47714-1	Heat Sink	54	53245-A	Ballast Mtg. Assem.
9	53193	Panel Glass Retainer		47716-1	Plate		52918	Ballast Mtg. Plate
10	53582	Cab. Side Glass L.H.	35	52702	Bracket		53250-A	Ballast Mtg. Assembly
	53587	Display L.H.	36	53192	Scan Switch Mtg. Brkt.			20W 50 HZ (Germany)
	53234	Rubber Channel (Bottom Back Front)	37	53071-A	Scan Switch Assembly			19W Ballast 12 OVAC/60 HZ (Canada & USA)
11	53364-A	Dome Stay Rest Brkt.	38	53178	Tie Bar	55	43055-2	20W Ballast 220/240 VAC (Germany)
12	53276-A	Reject Hsing. Mtg. Brkt.	39.	52686-3A	Back Door & Bumper		49256	Noise Suppression Cap.
13	53297	Mounting Grommet	40	V-438	25 Watt Starter	56	47563	Mounting Plate
14	53188	Link Guide Brkt.	41	42859	Flourescent Lamp (F28T8CW/4) Cool White	57	51947	P.C. Board Support (3/16)
15	ST-10402	1/2" Locking Clamp	42	53083	Flourescent Lamp (F24T8CW/4) Cool White	58	ST-10538	P.C. Board Support (7/8)
16	53122-A	Reject Coin Chute Assem.	43	ST-6030-2	Caster	59	ST-10647	Flasher P.C. Brd. Assem.
17	53126-A	Coin Chute - Lower Assem.	44	53172-1	Rub Strip (Bronze)	60	52370-A	Flasher P.C. Cover
18.	53182	Plunger Lever Mtg. Brkt.	45	53231-1	Bumper Strip (Bronze)	61	52701	Module Stop Brkt.
19	53184	Plunger Lever	46	49997-2A	Handle & Brkt. Assem.	62	53716	Top Corner Brace
20	53183	Plunger Lever Pin	47	53120-1	Cab. Side Casting R.H. (Bronze)	63	53171	Panel Retainer
21	V-4164	Return Spring				64	53196	
22	53282-2A	Coin Chute Assembly						





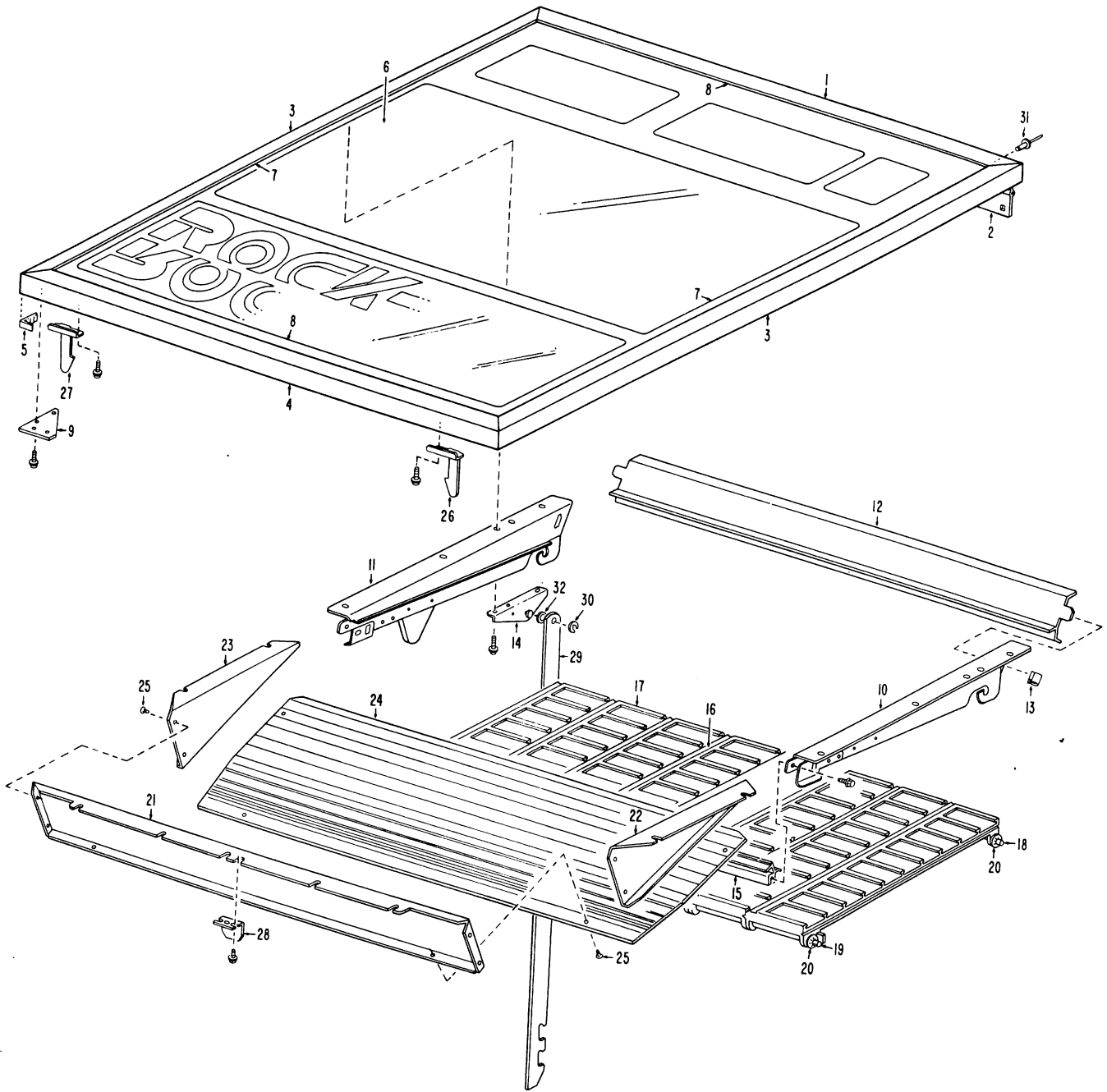
### SLUG REJECTOR HOUSING ASSEMBLY

Item	Part No.	Description
1	53076-A	Slug Rejector Housing Riveting Assembly
2	52530-A	Coin Switch Guide & Cover Assembly – 50¢
	52535-A	Coin Switch Guide & Cover Assembly – 25¢
	52540-A	Coin Switch Guide & Cover Assembly – Export
3	45460-1	Coin Guide (only)
4	45463-1	Coin Switch Cover (only)
5	ST-9733	4–40 1/4 Hex Flg. P.K. Swageform
6	53078-A	Coin Switch Cable Assembly U.S.A.
7	ST-3604	Black Nylon Clamp
8	ST-8258	6–32 3/8 Hex Flg.
9	53070	Slug Rejector \$1.00 U.S.A.

### CASH BOX HOUSING ASSEMBLY

10	53150	Coin Return Cup
11	49041	Coin Return Flap
12	53167	Coin Return Mounting Bracket
13	ST-8298-D	8 x 1/2 Hex Flg. Dulite
14	49060-2	Cash Door Frame (Bronze)
15	49062	Cash Bag
16A	51019-3A	Cash Door Assembly (Complete) Bronze
16	49061-3	Cash Box Door (only) Bronze
17	ST-10441	Lock With Keys
18	49058	Cash Box Lock Guard
19	50796	Cam Bolt – Cash Box
20	42393	Button Bumper



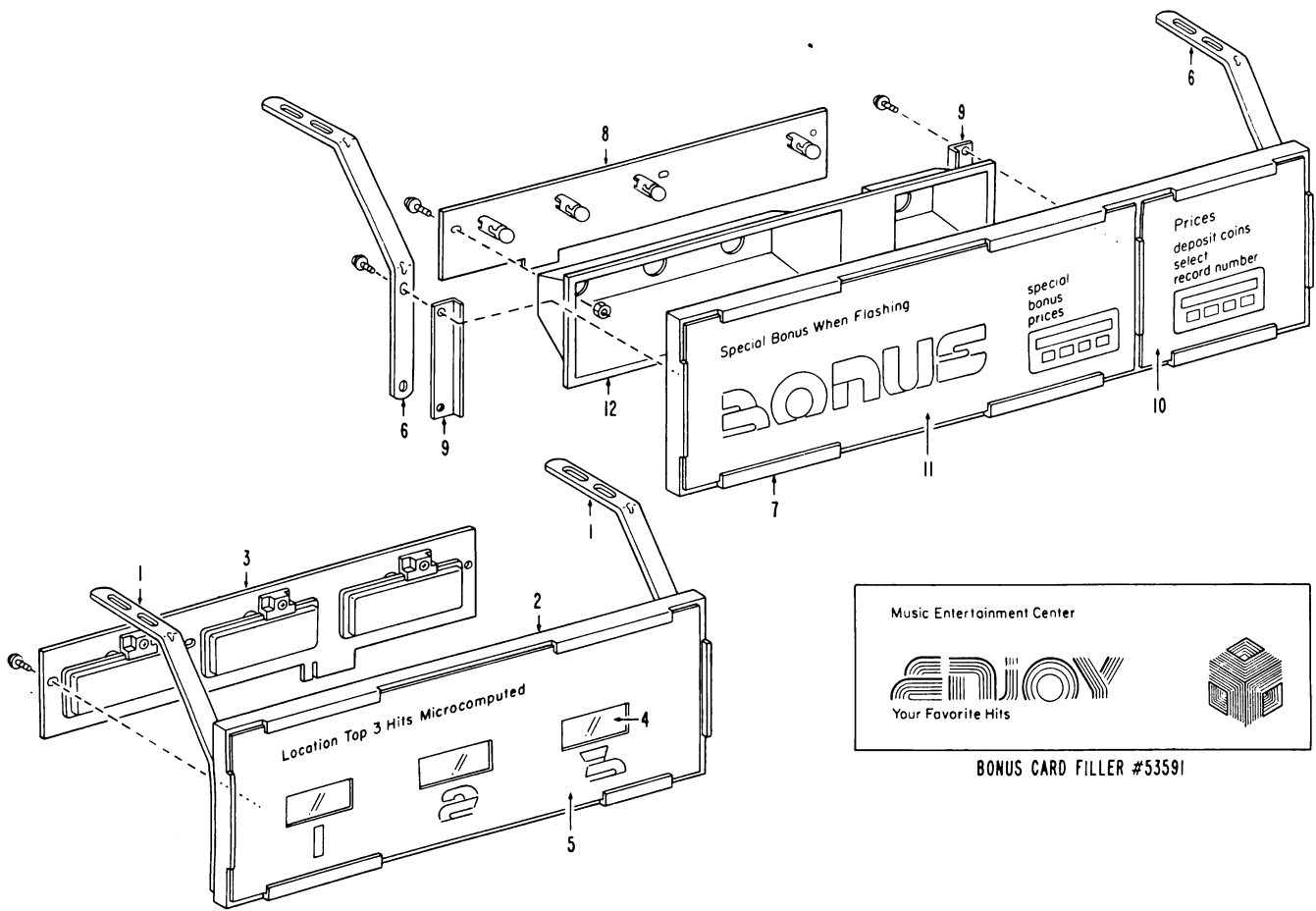




### DOME ASSEMBLY No. 53590-A

Item	Part No.	Description
1	53206	Dome Top Extrusion
2	53211-1	Dome Hinge (Bronze)
3	53208	Dome Extrusion – Side
4	53207	Dome Extrusion – Bottom
5	53269	Corner Brace – Dome
6	53583	Dome Glass
7	44949	Vinyl Channel – 32 1/4
8	44949	Vinyl Channel – 27 5/8
9	53228	Corner Bracket – Dome
10	53062-1A	Shroud R.H. Rivet Assembly
11	53063-1A	Shroud L.H. Rivet Assembly
12	53138	Shroud Top Extrusion (Blue)
13	ST-8760	Speed Clip
14	53064-2A	Dome Stay Pivot Brkt. Assembly
15	53218-1	Dome Extrusion – Center (Blue)
16	53371	Program Holder Number Strip
17	46998-4	Program Holder Only
18	52146	Program Tie Rod – Long
19	51812	Program Tie Rod
20	ST-9873	Push Nut
21	53224	Reflector – Bottom
22	53226	Reflector Side – R.H.
23	53227	Reflector Side – L.H.
24	53584	Display – Dome
25	ST-10705	Fastener
26	53203	Dome Latch – R.H.
27	53204	Dome Latch – L.H.
28	50821-1	Alignment Bracket
29	53362	Dome Stay
30	ST-16	Keeper
31	ST-4970	Pop Rivet (3/16 Dia.)
32	ST-4856	Spring Washer

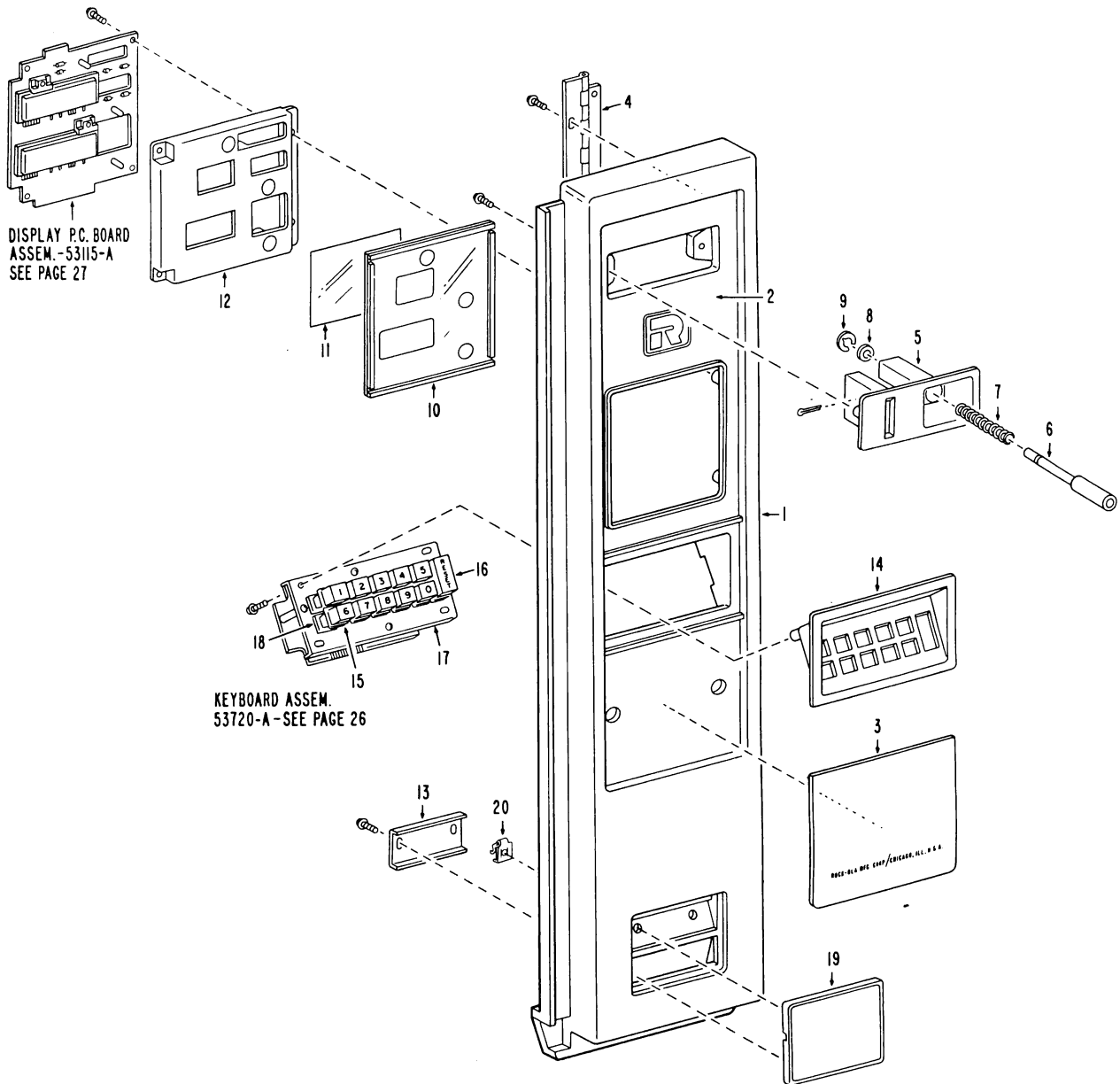




**CARD HOLDER SHORT ASSEMBLY No. 53573-A**

**CARD HOLDER LONG ASSEMBLY No. 53574-A**

Item	Part No.	Description	Item	Part No.	Description
1	53261	Card Holder Brkt.	7	53259	Card Holder – Long
2	53258	Card Holder – Short	8	52025-A	Bonus Pricing Brd. Assem.
3	52020-A	Location Top Brd. Assem.		46496-1	Light Socket Only
	52388	4 Digit Display Only		46739	#53 Light Bulb
	52307	Numeric Display Holder	9	53263	Housing Retainer
	ST-9848	Caplug Tapered #5 Red	10	53251-1	Pricing Card – Std.
4	53267	Blue Filter		53252-1	Pricing Card (German)
5	53242-1	Hit Card – Std.	11	53246-1	Bonus Card – Std.
	53243-1	Hit Card (German)		53247-1	Bonus Card (German)
6	53261	Card Holder Brkt.	12	52308	Bonus Play Housing

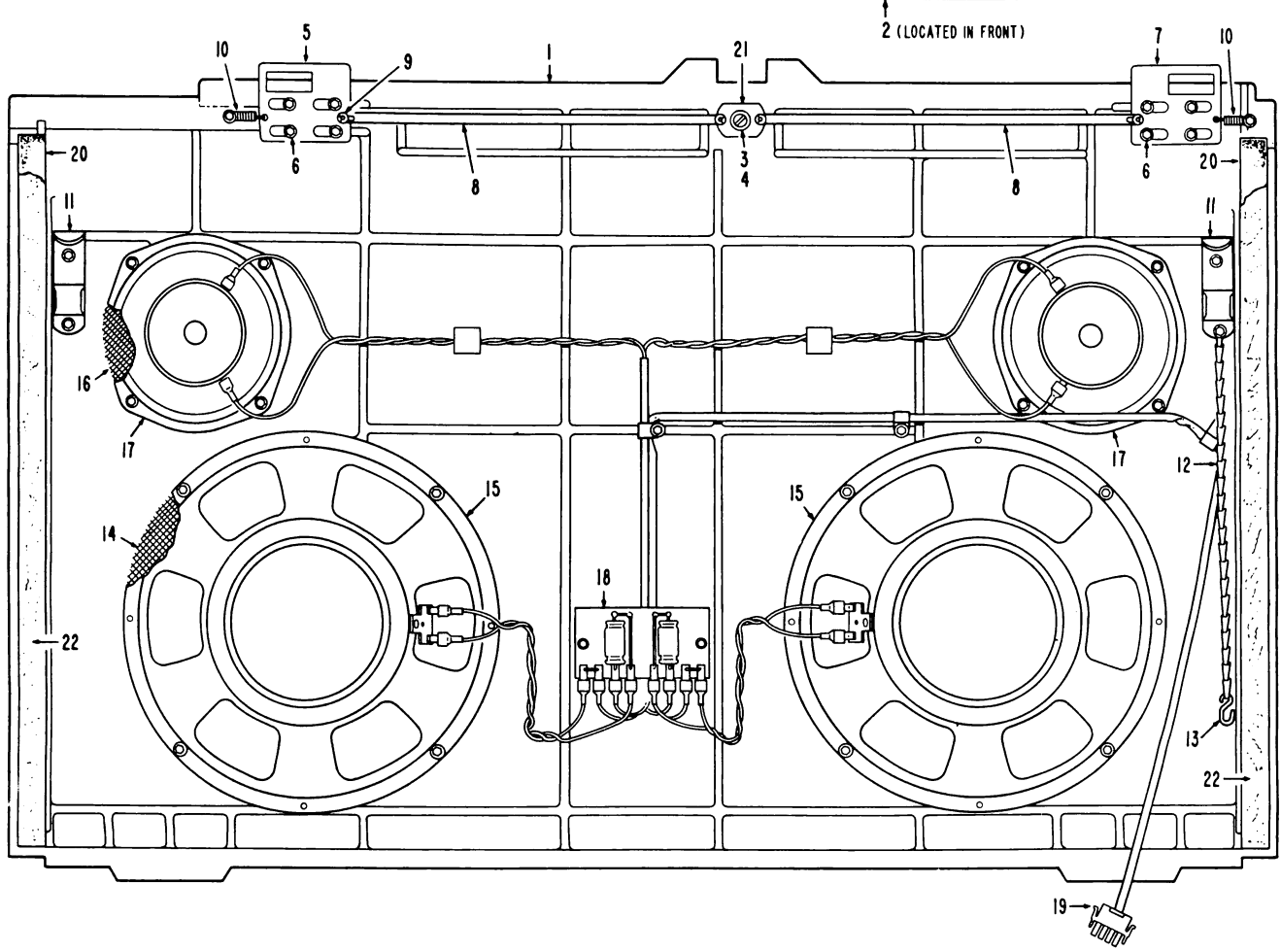


**MODULE ASSEMBLY No. 53595-A**

Item	Part No.	Description	Item	Part No.	Description
1	53130-1	Module Casting (Bronze)	12	53160	Signal Housing
2	53151-1	Module Insert - Upper	13	51801	Clamp Entry Cover
3	53152-1	Module Insert - Lower	14	53141-1	P.B. Casting
4	53214-1	Module Hinge (Bronze)	15	53146-1	Switch Button Set
5	53140-1	Coin Entry Casting (Bronze)	16	53147-1	Reset Button - Domestic
6	53275-1	Reject Button (Tan)		53148-1	Reset Button - German
7	43800-1	Reject Button Spring	17	53066-A	Mtg. Channel Rivet Assem.
8	46273	Rubber Washer	18	52252	Switch P.B.
9	ST-9827	Keeper	19	51698-2	Cover - Bill Entry
10	53686	Signal Window - Std.	20	ST-10078	Palnut Fastener
11	53266	Blue Filter			



ROCK-OLA 484



**FRONT DOOR ASSEMBLY No. 53585-A**

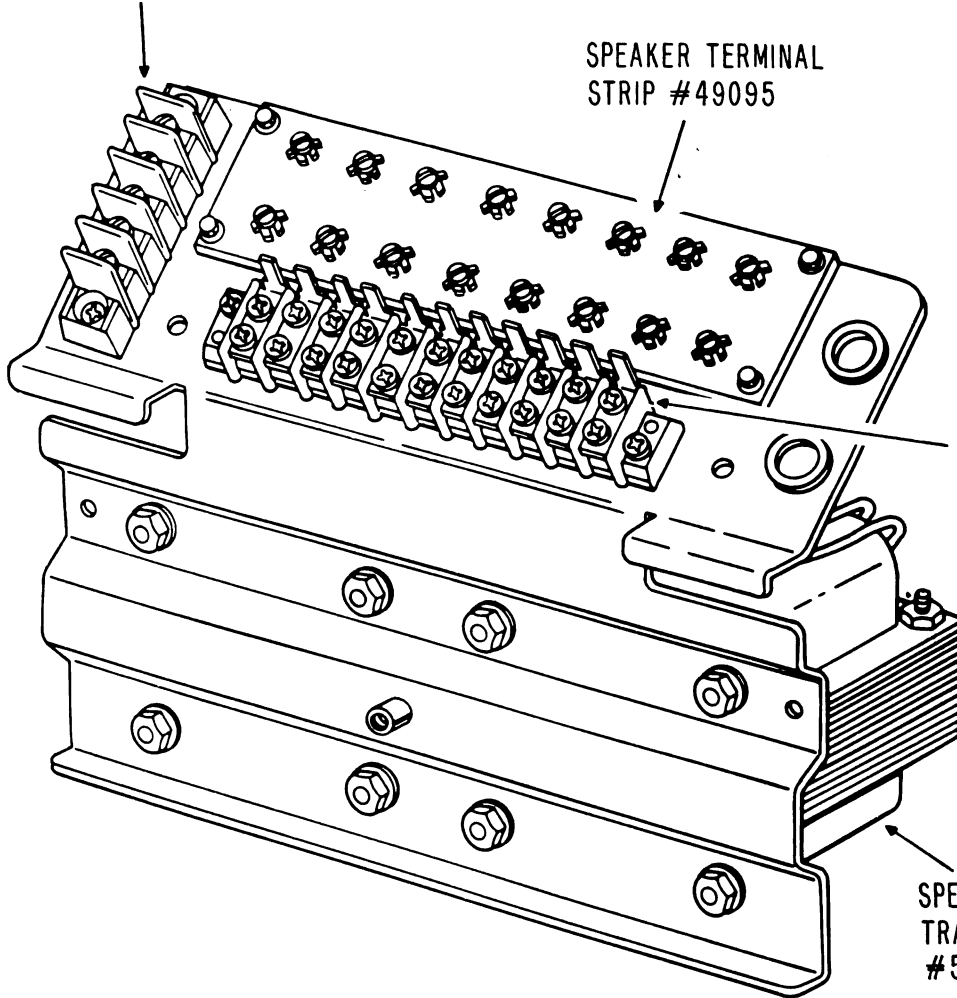
Item	Part No.	Description	Item	Part No.	Description
1	53125-1	Door Casting (Bronze)	12	ST-10457	Door Chain (12-3/8")
2	53260-1	Door Insert	13	19127	Hook Chain
3	ST-10700	Lock with Keys	14	51974	Speaker Scrim - 12"
	ST-10700K	Keys Only	15	51781	12" Speaker
4	ST-10701	Washer	16	51973	Speaker Scrim - 6"
5	53057-A	Door Latch R.H. Assem.	17	51502	6" Speaker
6	52837	Dome Latch Bushing	18	52890-1A	Spk. Crossover Term Brd.
7	53058-A	Door Latch L.H. Assem.		48844-1	8 Mfd. 35V RMS Non Pol Capacitor
8	53161	Door Lock Arm	19	ST-10590	4 Cir. MNL Pin Hsg.
9	ST-9263	"E" Ring	20	ST-10715	Rubber Cushion 25" (Bottom)
10	45474	Program Holder Spring	21	53056-A	Cam Bolt Rivet Assembly
11	51412	Door Latch Bracket	22	34102	Foam Cushion 25" (Top)

MOTORIZED REMOTE VOLUME CONTROL  
TERMINAL #49296

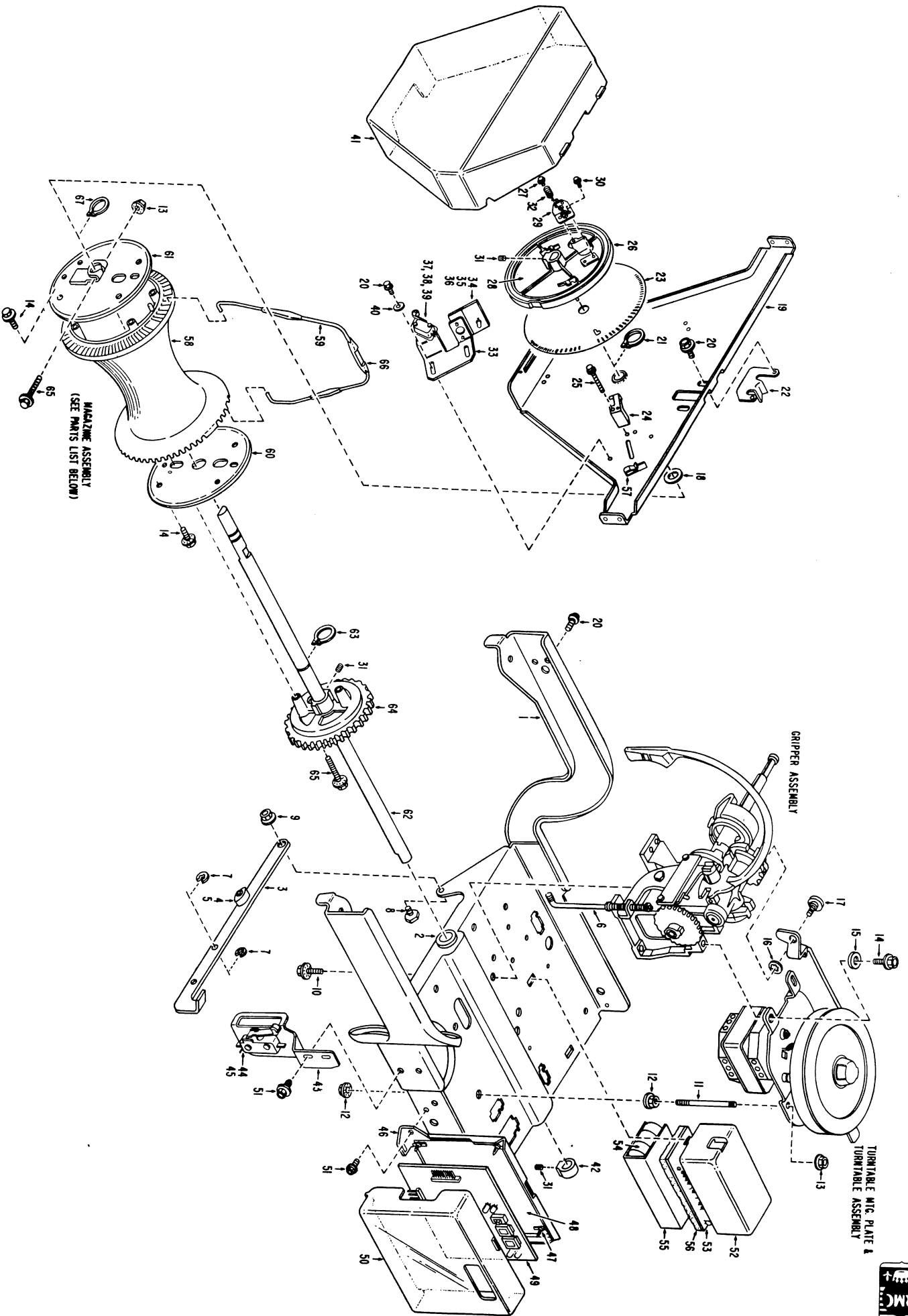
SPEAKER TERMINAL  
STRIP #49095

WALL BOX TERMINAL  
BLOCK #43780-1

SPEAKER OUTPUT  
TRANSFORMER R & L  
#52473



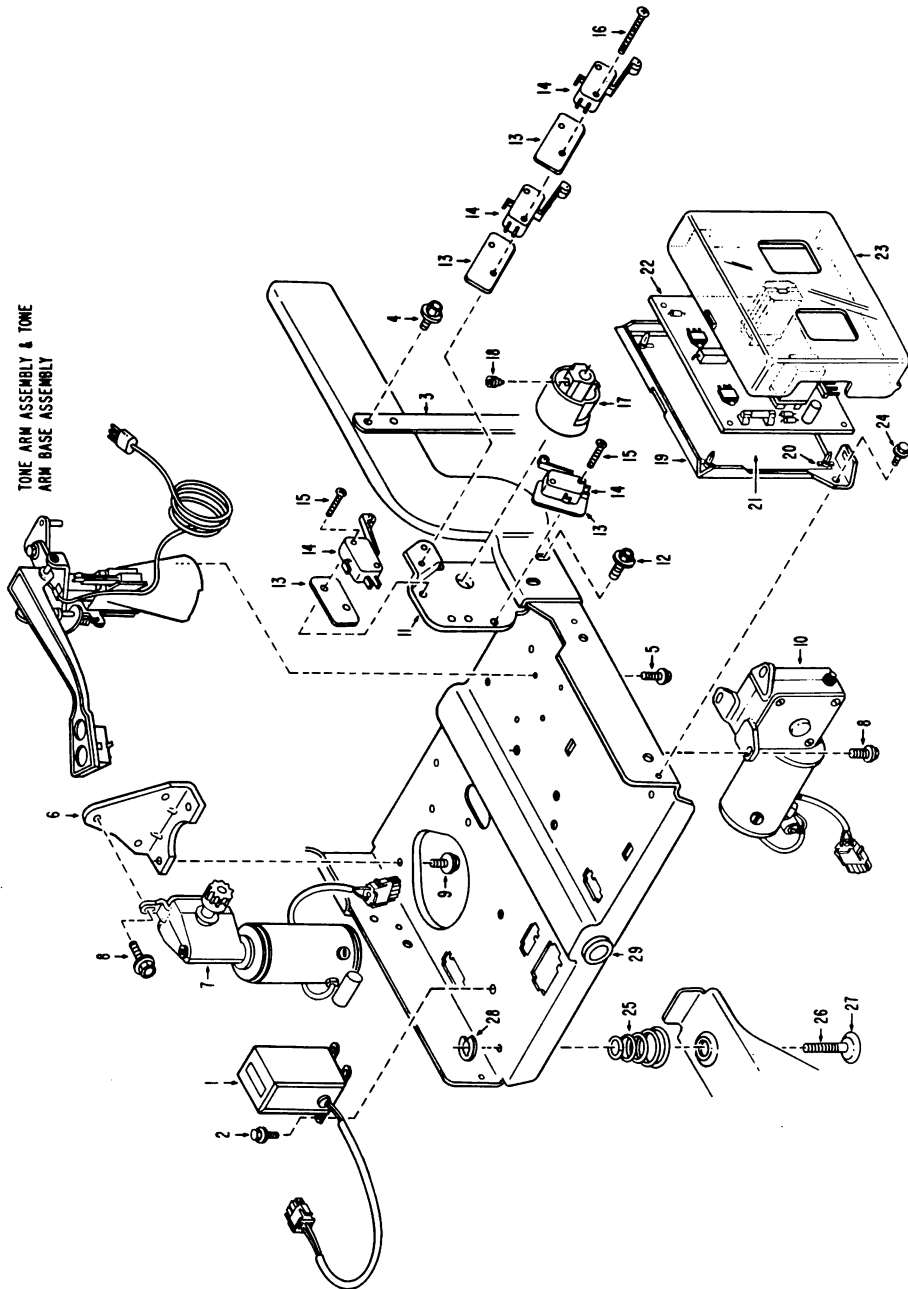
AUDIO DISTRIBUTION ASSEMBLY #52465-A



**MECHANISM ASSEMBLY 160 SELECTION No. 53200-A**

Item	Part No.	Description	Item	Part No.	Description	Item	Part No.	Description	
1	52475-A	Chassis Plate Weld Assembly	25	ST-2575	8-32 1¼ Hex Flg. Whiz Lock			<b>USED IN CONJUNCTION WITH</b>	
2	50308	Main Bearing	26	52171	Adjustment Disc		53550-A		Logic Filter P.C. Brd. No. 1
3	52478-A	Linkage-Gripper & Stud Rivet Assembly	27	ST-10437	8 x 5/8 Hex Flg. (Type B)		53555-A		Logic Filter P.C. Brd. No. 2
4	34317	Odd-Even Alternating Dog	28	52172	Adjustment Disc Holder				<b>ALTERNATE VERSION</b>
5	ST-9249	Truarc "E" Ring	29	52518-A	Nut Mounting Plate Assembly		53560-A		Logic P.C. Board Assembly (See page 33A - 33B & 33C)
6	52202	Connecting Rod-Gripper Linkage	30	ST-8295	8 x 5/16 Hex Flg. (Type B)	50	52176		Logic Board Cover
7	ST-9825	Keeper	31	ST-3509	1/4-20 x 5/16 Hex Socket Set Screw	51	ST-8269		8-32 x 3/8 Hex Flg. Swageform
8	34422-1	Hex Stud	32	37672	Tension Spring	52	52178		Battery Housing
9	ST-8722	10-32 Flg. Hex Whiz Lock Nut	33	52188	Module Mtg. Plate	53	52255-A		Battery Board Assembly
10	ST-2588	1/4-20 x 3/8 Hex Flg.	34	52250-A	Opto Board Assembly	54	52512-A		Battery Pack Assembly
11	36312-1	Turntable Mounting Stud	35	52197	Opto Board Insulator	55	52731		Battery Pack Insulator
12	ST-8723	1/4-20 Whiz Lock Nut	36	52766	Opto Light Shield	56	41352		Foam Cushion 1/4 x 1/2 x 4
13	ST-8722	10-32 Whiz Lock Nut	37	ST-6551	4-36 x 9/16 Phil Pan Hd. M.S.	57	ST-9819		Cable Clamp
14	ST-2578	10-32 x 3/8 Hex Flg. Whiz Lock	38	43494	Micro Switch Insulator				<b>MAGAZINE ASSEMBLY No. 52120-A</b>
15	ST-4864	.203 I.D. x 1/2 O.D. x 1/16 Flat Washer	39	43414	SPDT Enclosed Snap Switch	58	43030		
16	ST-4862	#10 Shakeproof Lock Washer	40	ST-4835	11/64 I.D. x 1/2 O.D. x .032 Flat Washer	59	43222-A	Separator Wire Assembly	
17	35813-1	Drive Bracket Screw	41	52174	End Plate Cover	60	43218-1	Cover - Magazine Wire	
18	52194	Washer .640 x 1 x .030	42	52193	Main Shaft Collar	61	43226-A	Cover & Bracket Welding Assembly	
19	52187	End Mounting Plate	43	52204	Odd-Even Switch Bracket	62	52192	Main Shaft	
20	ST-2566	8-32 x 1/4 Hex Flg. Whiz Lock	44	52389	A-B Snap Switch	63	ST-9194	Truarc Retaining Ring	
21	ST-9377	Retaining Ring	45	ST-4570	6-32 x 7/8 Phil Pan Hd. M.S.	64	52177	Drive Gear	
22	46378	Rest Bracket - Gripper Arm	46	52199	Board Mtg. Plate	65	ST-2586	10-32 x 1-1/2 Hex Flg. Whiz Lock	
23	52189	Encoder Disc	47	ST-10657	Circuit Board Support	66	47061	Magazine Label (Set)	
24	52173	Guide Block	48	52198	Power Board Insulator	67	ST-9377	Retaining Ring	
			49	52240-A	Logic P.C. Board Assembly				



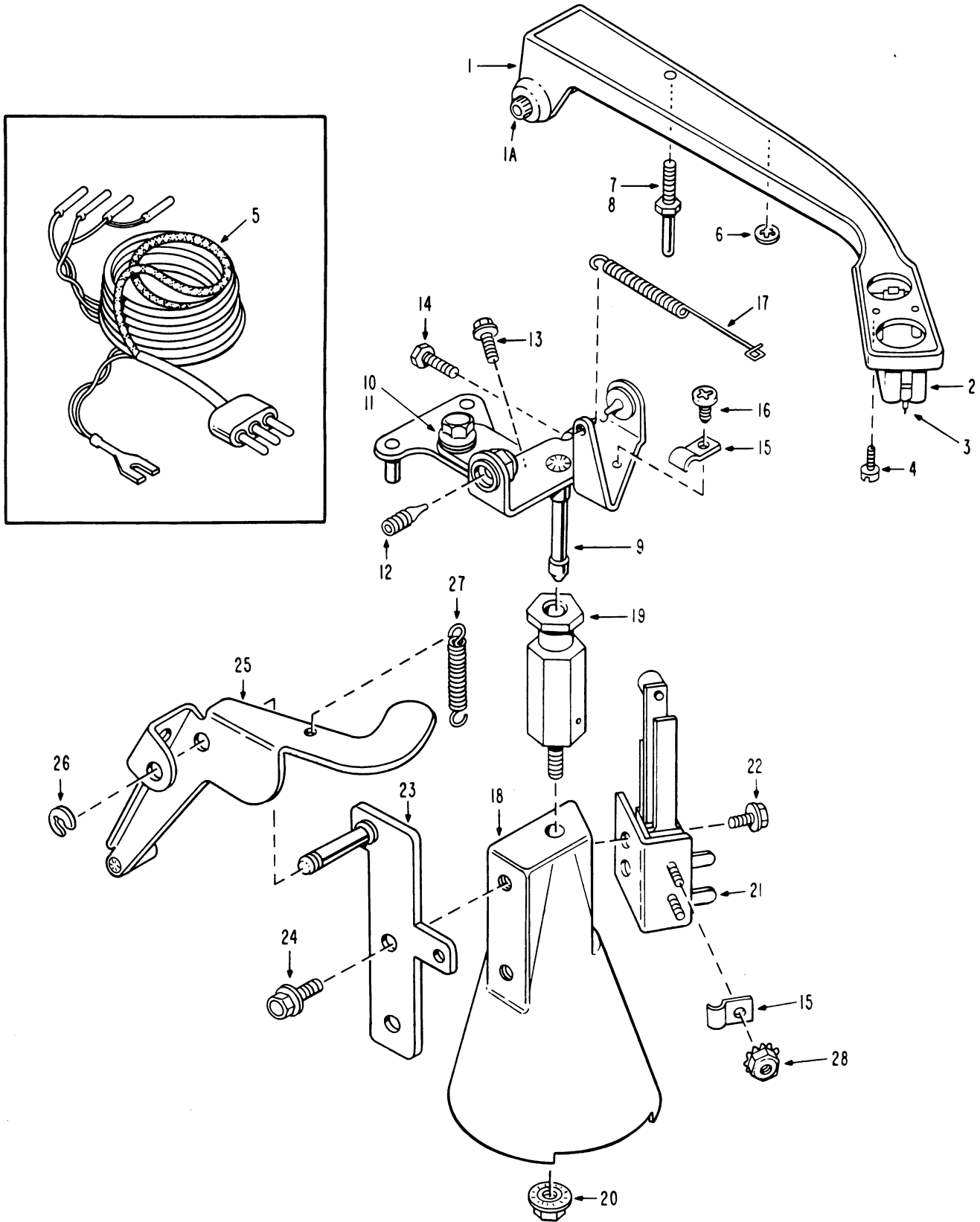


### MECHANISM ASSEMBLY — Continued

Item	Part No.	Description
1	46368-3	Electronic Counter Only
2	ST-8258	6-32 x 3/8 Hex Flg.
3	39120-3	Record Guard Steel Band
4	ST-2566	8-32 x 1/4 Hex Flg. Whiz Lock
5	ST-2569	8-32 x 1/2 Hex Flg. Whiz Lock
6	52206	Mounting Bracket — Gripper Motor
7	52498-1A	Gripper Motor Assembly — Compl — MAMCO Interchangeable with
	52499-A	Gripper Motor Assembly — Compl — RAE
8	ST-2589	1/4-20 x 1/2 Hex Flg. Whiz Lock
9	ST-2588	1/4-20 x 3/8 Hex Flg. Whiz Lock
10	52502-A	Magazine Motor Assembly — RAE
11	43492	Micro Switch Mounting Plate
12	ST-2578	10-32 x 3/8 Hex Flg. Whiz — Lock
13	43494	Micro Switch Insulator
14	43414	Spdt Enclosed Snap Switch
15	ST-6551	4-36 x 9/16 Phil Pan Hd. M.S.
16	ST-6552	4-36 x 1 Phil Pan Hd. M.S.
17	43493-1	Micro Safety Cam
18	ST-2253	10-32 x 1/4 Allen Hd Set Screw
19	52199	Board Mtg Plate
20	ST-10657	Circuit Board Support
21	52198	Power Board Insulator
22	52245-A	Power P.C. Board Assembly
23	52175	Power Board Cover
24	ST-8269	8-32 x 3/8 Hex Flg. Swageform
25	39680	Chassis Spring (Red)
26	34403-1	Spring Mtg. Bolt
27	34404	Mounting Bolt Washer
28	ST-9827	Keeper
29	50308	Main Bearing







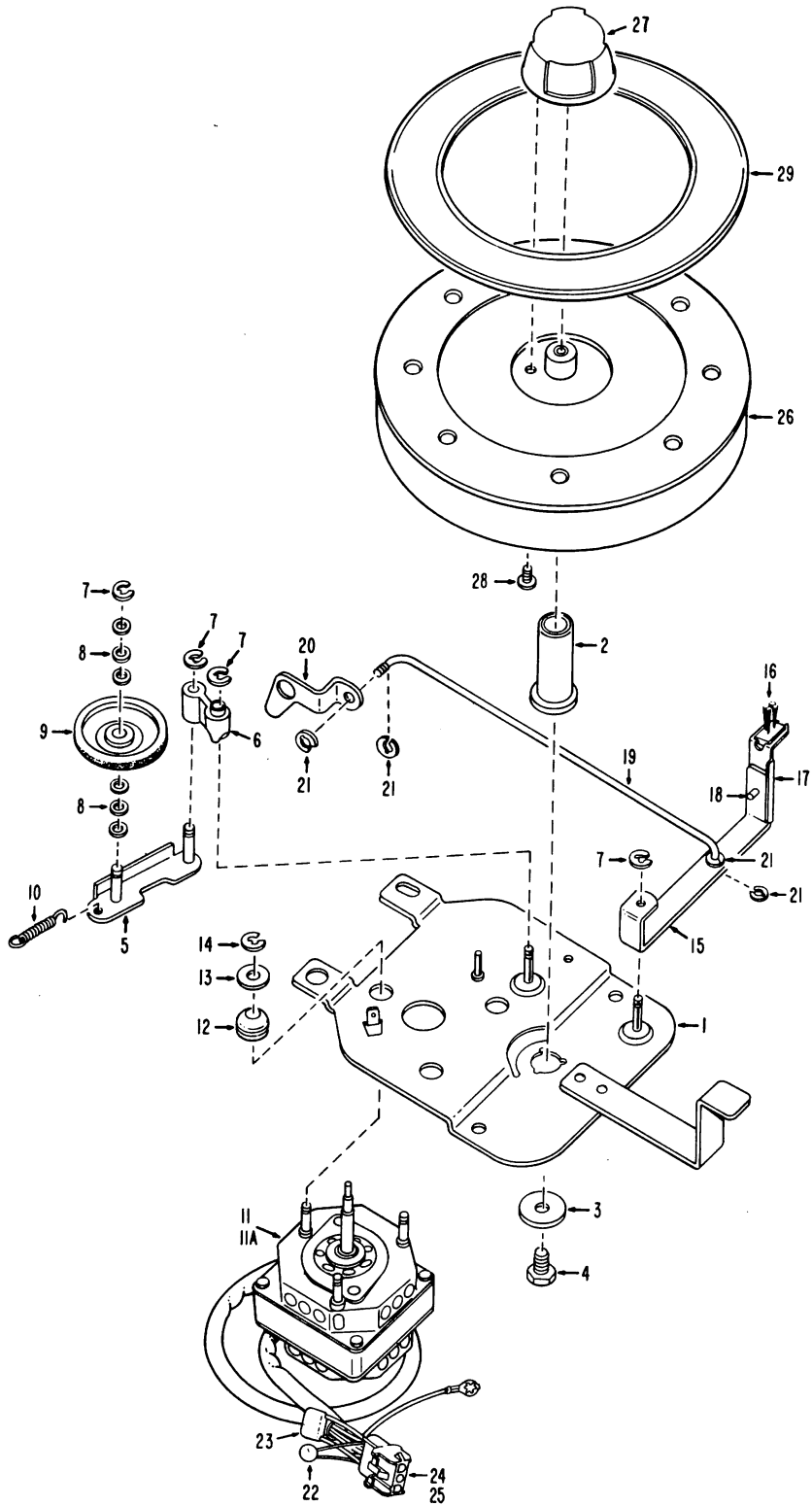


### TONE ARM ASSEMBLY — MAGNETIC No. 53190-A

Item	Part No.	Description
1	41611-A	Tone Arm & Pivot Shaft Assembly
1A	41435	Tone Arm Pivot Shaft
2	43467	M44MR Shure Pickup Cartridge (Special)
3	43469	Stylus
4	ST-6564	4-40 x 3/8 Phil. F.H.M.S.
5	53215-A	Dual Input Cable (Model 484 only)
	47178-1A	Dual Input Cable (Model 476 Console only)
6	ST-314	Shakeproof Lockwasher #3
7	41446	Tone Arm Rest Pin
8	ST-423	5-40 Hex Nut
9	41608-A	Pivot Bracket Riveting Assembly
10	ST-399	Flat Washer
11	ST-2576	10-32 x 1/4 Hex Flg. Whiz Lock
12	41433	Tone Arm Pivot Screw
13	ST-2547	5-40 x 3/8 Hex Flg. Whiz Lock
14	ST-2520	6-32 x 1/2 Hex Hd. M.S.
15	17011	Wire Clip
16	ST-4574	5-40 x 3/16 Phil P.H. M.S.
17	41758	Tone Arm Spring

### TONE ARM BASE ASSEMBLY No. 51890-A

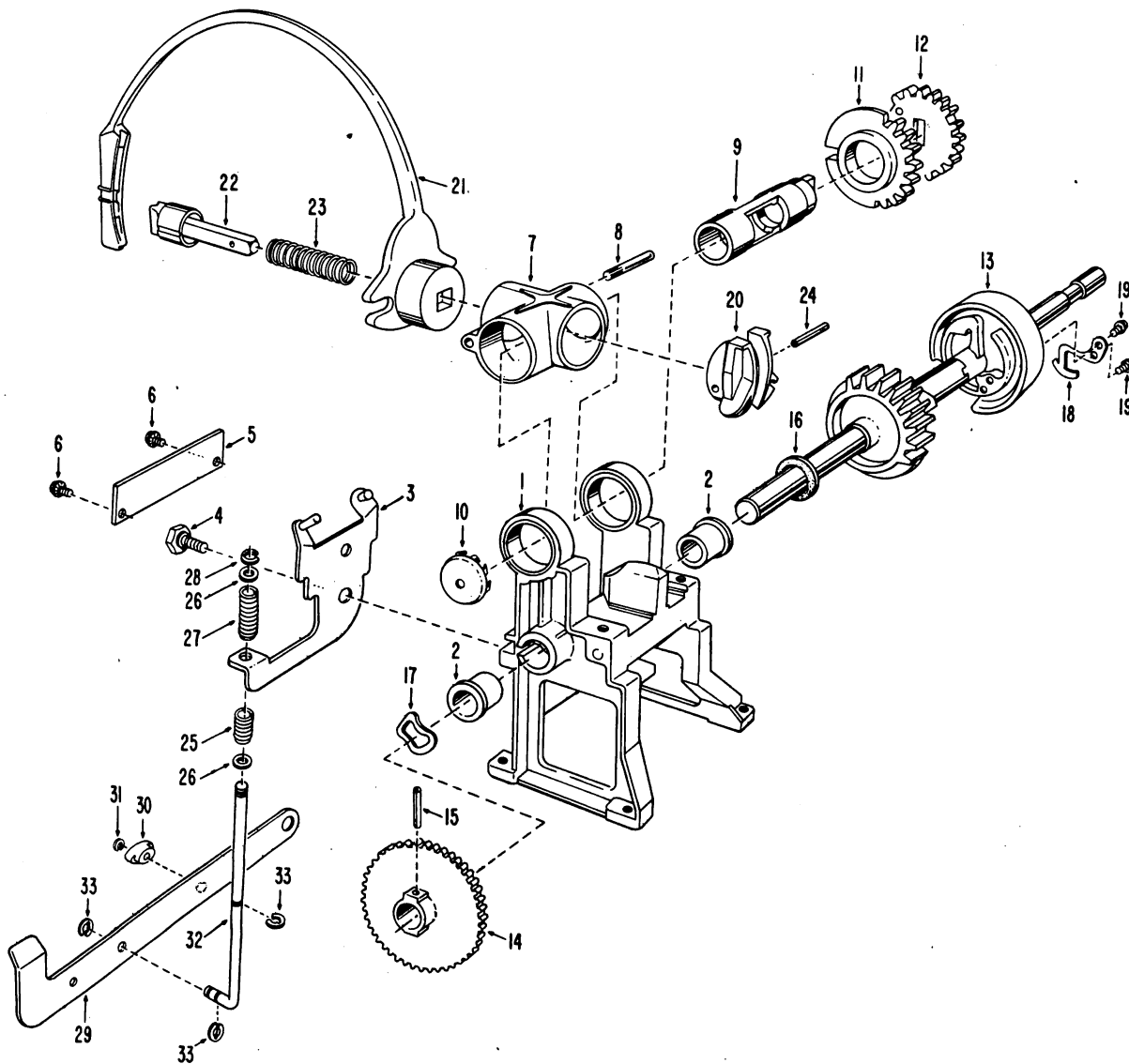
18	41366	Tone Arm Base
19	41612-A	Pivot Bushing & Ball Assembly
20	ST-8717	10-32 Hex Whiz Lock Nut
21	41649-2A	Tone Arm Switch & Bracket Assembly
22	ST-2555	6-32 x 1/4 Hex Flg. Whiz Lock
23	52159-A	Support Bracket & Stud Assembly
24	ST-2566	8-32 x 1/4 Hex Flg. Whiz Lock
25	41609-A	Lifter Lever & Cam Pin Assembly
26	ST-9825	Keeper
27	34444	Lifter Lever Spring
28	ST-3457	5-40 Keps Nut





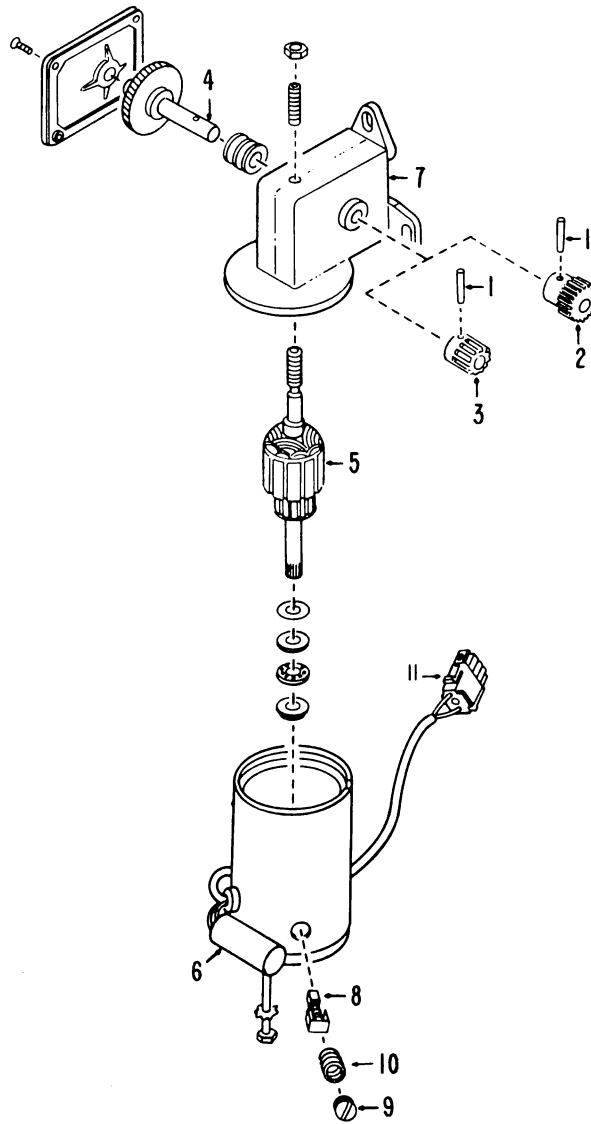
**45 R.P.M.—60HZ TURNTABLE MOUNTING PLATE ASSEMBLY NO. 52090-A**  
**45 R.P.M.—50HZ TURNTABLE MOUNTING PLATE ASSEMBLY NO. 52095-A**

Item	Part No.	Description
1	52232-A	Turntable Mounting Plate Riveting Assembly 45
2	46294	Turntable Bearing
3	ST-4808	.203 I.D. x 3/4 O.D. x .062 Flat Washer
4	46296	Turntable Shaft Bearing
5	52144-A	Idler Link Riveting Assembly
6	35830	Link Toggle
7	ST-9266	Truarc "E" Ring
8	36291	Fiber Washer
9	35831	Idler
10	35832	Idler Spring
11	52485-A	Turntable Motor Assembly 60HZ
11A	52555-A	Turntable Motor Assembly 50HZ
12	18849	Turntable Grommet
13	ST-4813	.203 I.D. x 1/2 O.D. x .032 Flat Washer
14	ST-9263	Truarc "E" Ring
15	52217	Brush Arm
16	17008	Brush
17	48489	Brush Holder
18	ST-8256	6-32 x 1/4 Hex. Flg.
19	52233	Drive Rod
20	36294-1	Drive Bracket
21	ST-9825	Keeper
22	53014	Metal Oxide Varistor 150V
23	52763	.1 MFD 125 V.A.C. Capacitor
24	ST-10496	Universal Pin
25	ST-10589	3 Circ. Universal Socket Housing
<b>45 R.P.M. TURNTABLE ASSEMBLY COMPLETE NO. 52100-A</b>		
26	52235-A	Turntable Assembly
27	52236	Record Hub — 45 R.P.M.
28	ST-8211	6 x 1/2 Phil. Pan Hd. (Type B)
29	52237	Turntable Mat



### GRIPPER ASSEMBLY NO. 52125-A

Item	Part No.	Description	Item	Part No.	Description
1	45421-1	Gripper Housing	18	17524	Tone Arm Cam Keeper Spring
2	45422	Gripper Housing Bearing	19	ST-2555	6-32 x 1/4 Hex Flg. Whiz Lock
3	52268-A	Brkt. Gripper Rev. Rivet Assem.	20	34323-7A	Cam-Gripper Reversing Assem.
4	34422-1	Hex Stud	21	34322-6A	Gripper Arm Assembly
5	34371	Reversing Brkt. Ret. Strip	22	34314-A	Inner Gripper Assembly
6	ST-2568	8-32 x 3/8 Hex Flg. Whiz Lock	23	39775	Spring - Gripper
7	34315-6	Gripper Spider	24	ST-534	Spirol Pin - Medium Duty
8	34421	Gripper Stop Pin	25	34864	Spring - Connecting Rod - Lower
9	34399	Trunnion Shaft	26	ST-4853	Flat Washer
10	34877	Trunnion Shaft Button	27	34447	Spring - Connecting Rod - Upper
11	34312-1	Gripper Turnover Gear	28	ST-9825	Keeper
12	36308-1A	Gripper Release Gear Assem.	29	52478-A	Linkage - Gripper & Stud Rivet Assem.
13	43359-1A	Gripper Shaft Assem.	30	34317	Odd-Even Alternating Dog
14	34310	Gripper Shaft Gear	31	ST-9249	"E" Ring
15	ST-534	Spirol Pin - Medium Duty	32	52202	Connecting Rod - Gripper Linkage
16	34929	Gripper Shaft Thrust Washer	33	ST-9825	Keeper
17	ST-4828	Spring Washer			

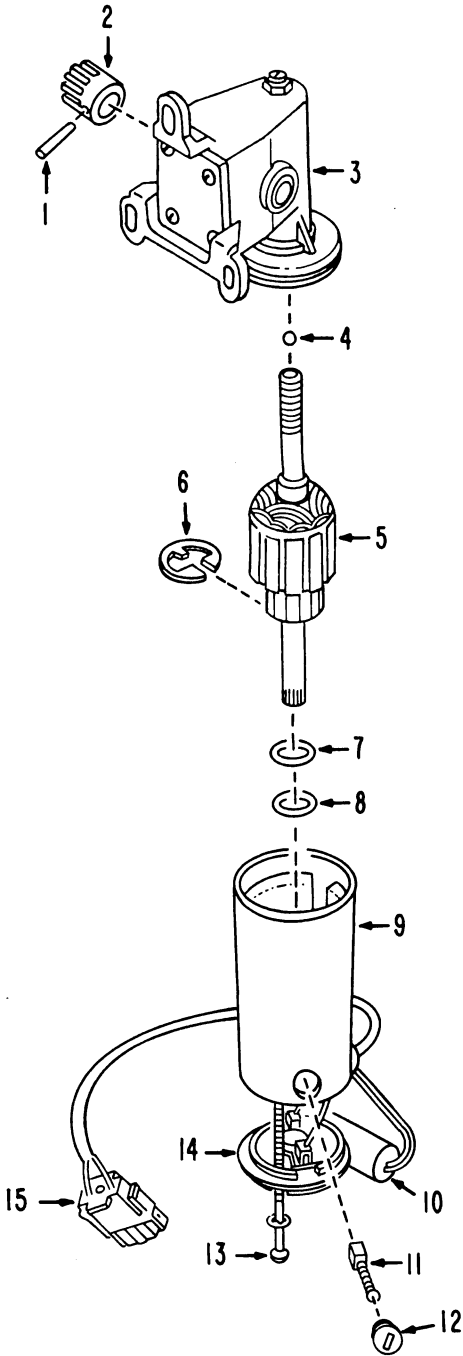


**(RAE) GRIPPER MOTOR No. 52499-A—COMPLETE**  
**(RAE) MAGAZINE MOTOR No. 52502-A—COMPLETE**

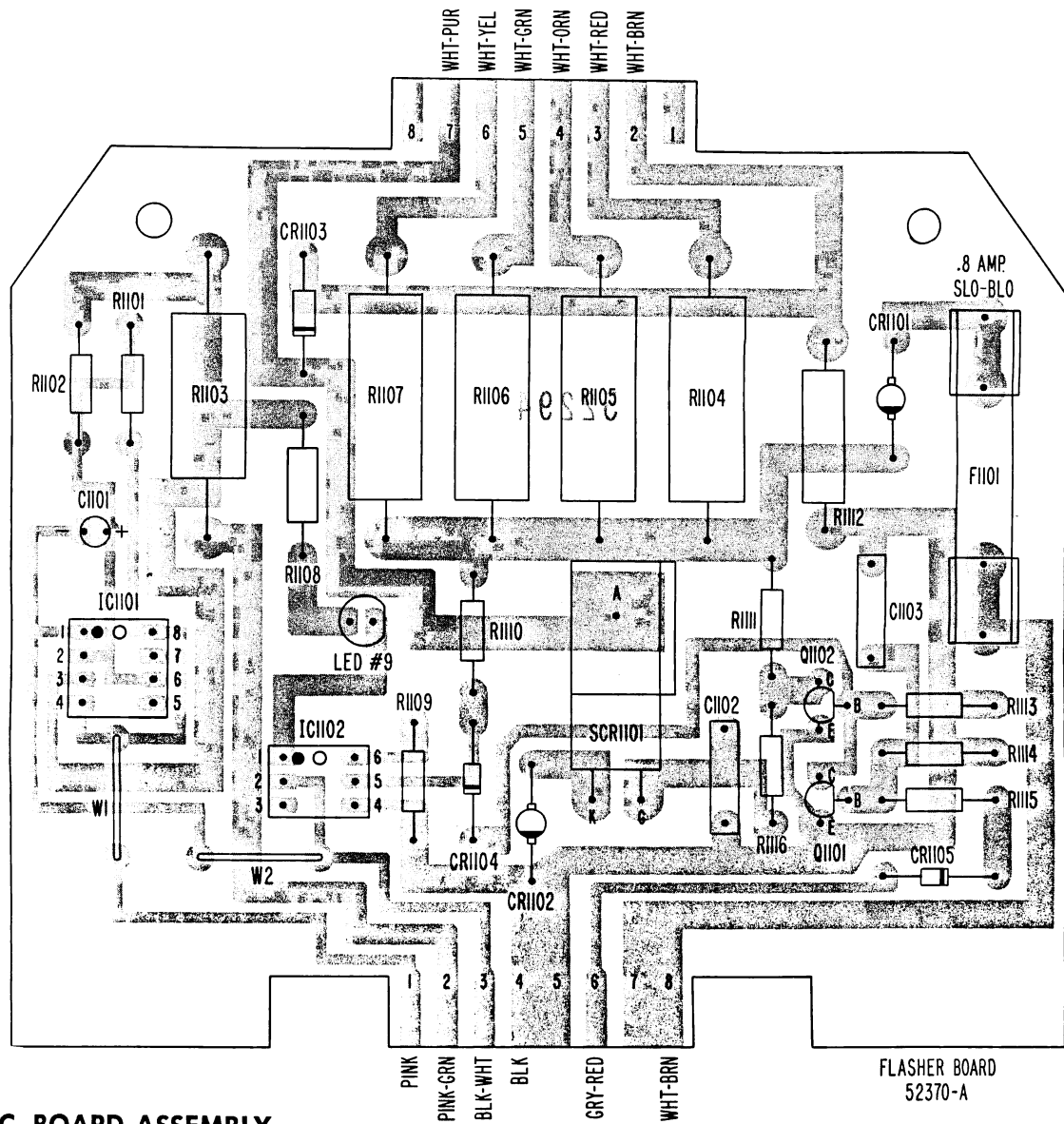
Item	Part No.	Description
1	ST-530	Spirol Pin — 1/8 Dia. x 3/4
2	34308	Magazine Drive Gear
3	34309	Gripper Motor Gear
4	52931	Gear & Shaft Assembly
5	52939	Armature Assembly
6	47563	Noise Suppression Capacitor
7	52934	Gearhead Housing Assembly
8	52944	Motor Brush
9	52942	Brush Cap
10	52945	Spring
11	ST-10586	3 Circ. Universal Pin Hsg.
	ST-10498	Universal Pin



**(MAMCO) GRIPPER MOTOR No. 52498-1A COMPLETE**  
 (Interchangeable With Gripper Motor No. 52499-A)



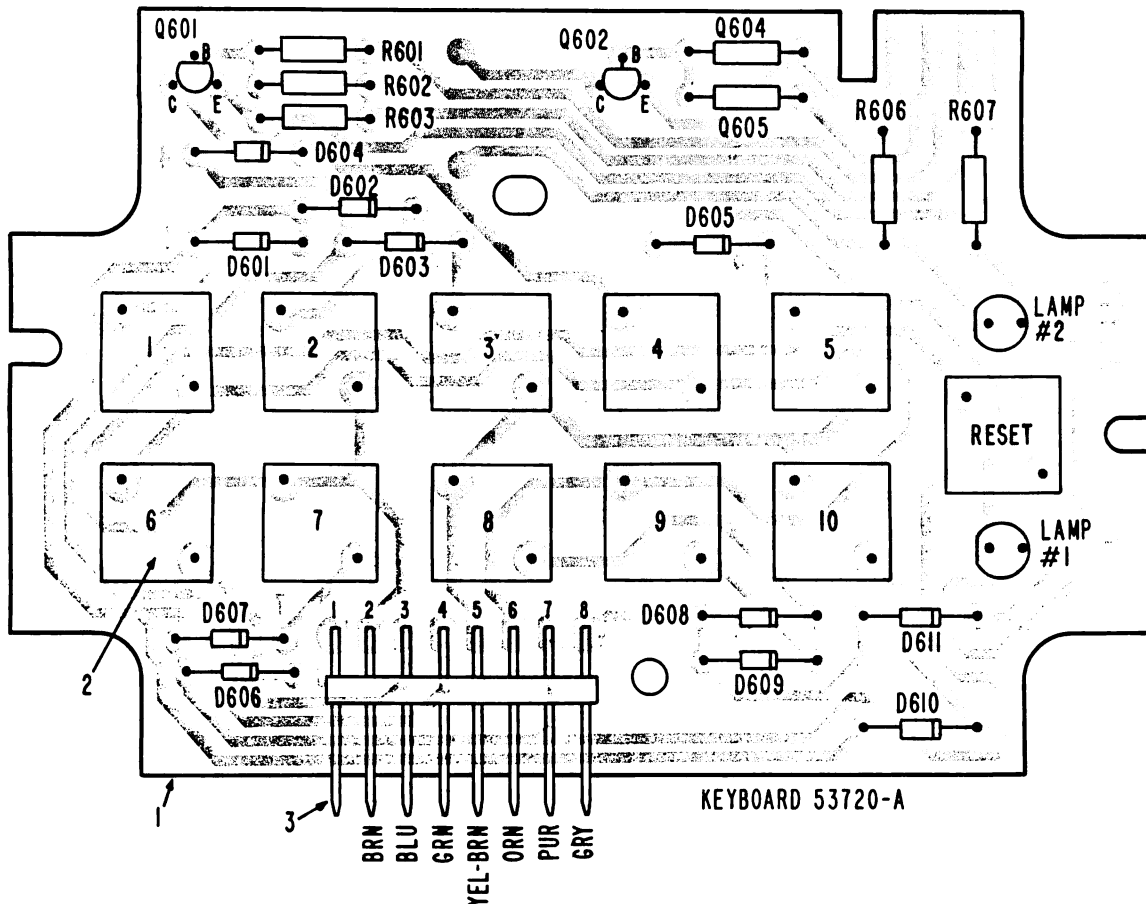
Item	Part No.	Description
1	ST-530	Spirol Pin – 1/8 Dia. x 3/4
2	34309	Gripper Motor Gear
3	53793	Gear Box Assembly (complete)
4	53794	Ball Bearing
5	53795	Armature Assembly
6	53796	Tru-Arc Keeper
7	53797	Trust Washer
8	53797	Trust Washer
9	53798	Tube Assembly
10	45763	Noise Suppression Capacitor
11	50361	Motor Brush
12	50362	Brush Cap
13	ST-10456	Thru Bolt
14	51073	Housing & Brush Holder Assembly
15	ST-10586	3 Ckt Universal Pin Hsg.
	ST-10498	Universal Pin



**FLASHER P.C. BOARD ASSEMBLY  
NO. 52370-A**

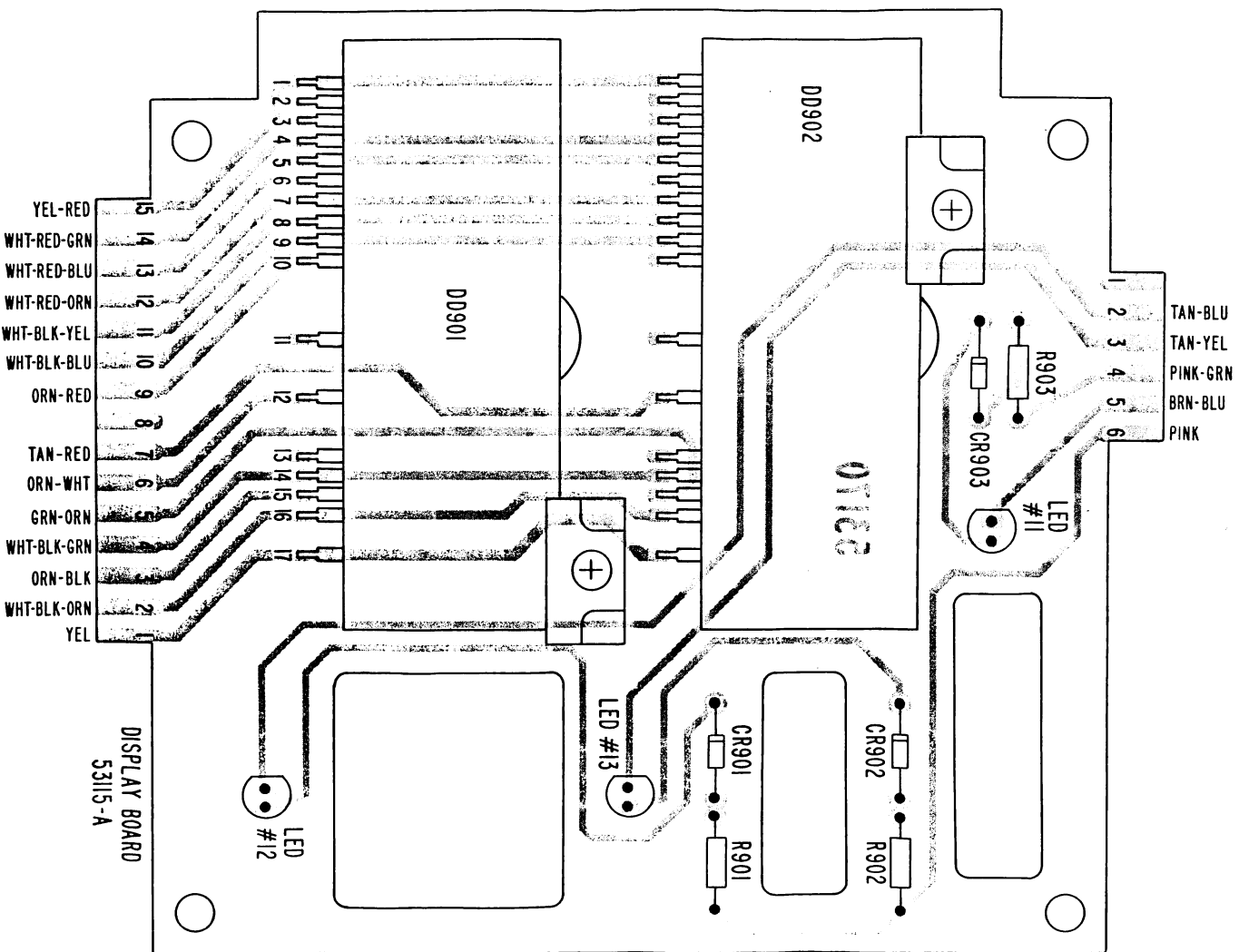
Item	Part No.	Description	Item	Part No.	Description
<b>RESISTORS</b>			<b>DIODES AND RECTIFIERS</b>		
R1101	52734	1 MEG OHM 1/4W 5%	CR1101 & CR1102	47972	Rectifier Glass 200 PRV 1.5A
R1102	50968	150K OHM 1/4W 5%	CR1103	46497	Rectifier 100 PRV 1A 1N4002
R1103	52742	47 OHM 2W 10%	CR1104 & CR1105	51498	Diode 1N4148
R1104 thru R1107	39706	39 OHM 3W 10%	SCR1101	47432	Silicon Control Rectifier
R1108	35632	220 OHM 1/2W 10%		49086	Heat Sink
R1109	50966	100K OHM 1/4W 5%		ST-10318	Mach. Screw #4-40 x 5/16
R1110 & R1111	51293	10K OHM 1/4W 5%		ST-10469	Hex Nut #4-40
R1112	31719	100 OHM 1W 10%	LED #9	51994	(1/4 Dia.) LED (Red)
R1113 thru R1115	51293	10K OHM 1/4W 5%	<b>INTEGRATED CIRCUITS</b>		
R1116	51564	1K OHM 1/4W 5%	IC1101	51991	555 Timer
<b>CAPACITORS</b>			IC1102	52504	Optoelectronic Coupler 4N26
C1101	49146	2.2 MFD 20% 25V	<b>FUSES</b>		
C1102 & C1103	47422	.047 MFD 20% 250V	F1101	ST-4323 51984	0.8 AMP Slo-Blo 250V P.C. Fuse Clip
<b>TRANSISTORS</b>					
Q1101 & Q1102	49415	(NPN) MPS-A06			





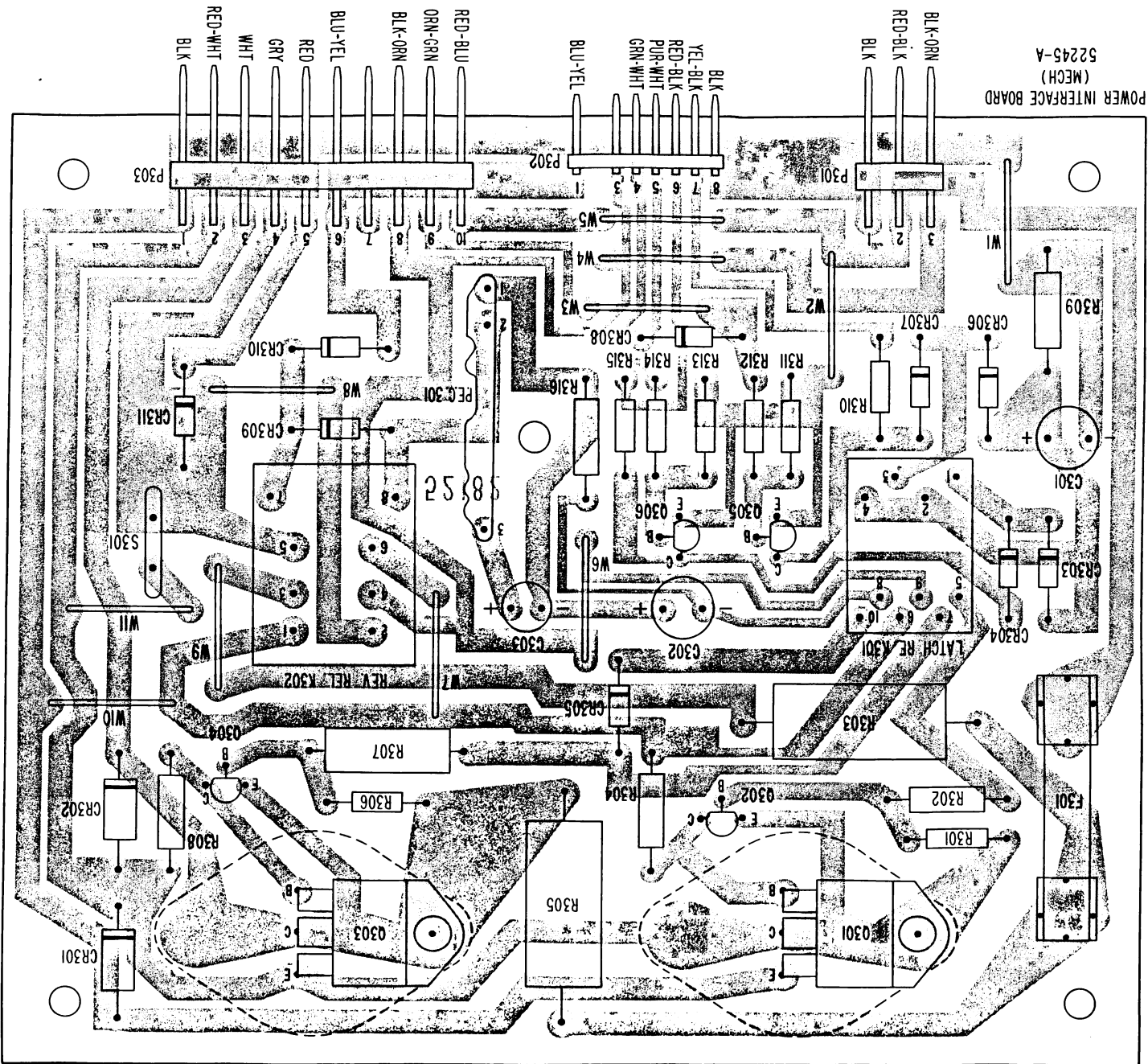
**KEYBOARD ASSEMBLY MODULE No. 53720-A**

Item	Part No.	Description	Item	Part No.	Description
<b>RESISTORS</b>			<b>TRANSISTORS</b>		
R601	51293	10K Ohm 1/4 Watt 5%	Q601	47831	Transistor MPS A56 (PNP)
R602	51293	10K Ohm 1/4 Watt 5%	Q602	49415	Transistor MPS A06 (NPN)
R603	52373	10 Ohm 1/4 Watt 5%	<b>MISCELLANEOUS</b>		
R604	51293	10K Ohm 1/4 Watt 5%	Lamp #1	53734	#34 Lamp
R605	51293	10K Ohm 1/4 Watt 5%	Lamp #2	53734	#34 Lamp
R606	49264	470 Ohm 1/4 Watt 5%	1	53715	Keyboard P.C. Board
R607	51289	100 Ohm 1/4 Watt 5%	2	52252	Switch — P.B.
<b>DIODES</b>			3	ST-10578	8 Ckt. Right Angle Post Connector
D601	51498	Diode IN4148			
thru					
D612	51498	Diode IN4148			



**DISPLAY P.C. BOARD ASSEMBLY MODULE No. 53115-A**

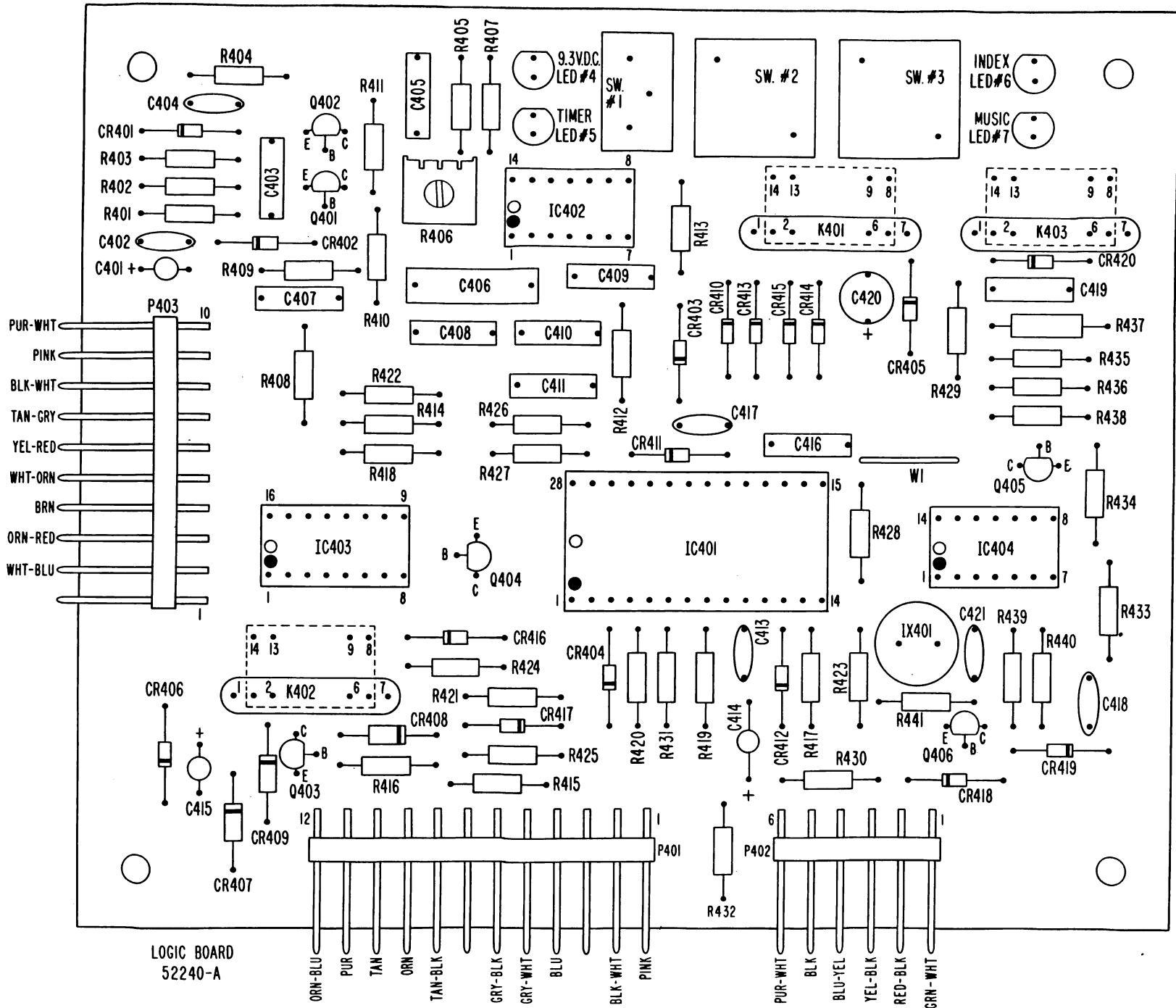
Item	Part No.	Description	Item	Part No.	Description
<b>RESISTORS</b>			<b>MISCELLANEOUS</b>		
R901			LED #11	52759	Hi-Intensity LED (Red)
R902	49264	470 Ohm 1/4W 5%	#12 & #13		
R903			<b>DIODES</b>		
CR901			DD901&R	52388	4 Digit Display
CR902			DD902	52677	Caplug - Tapered
CR903	51498	Diode 1N4148		52307	Numeric Display Holder
				ST-7248	Mach. Screw #4-40 x 1/2
				ST-10469	Hex Nut #4-40



**POWER P.C. BOARD ASSEMBLY NO. 52245-A**

Item	Part No.	Description	Item	Part No.	Description
<b>RESISTORS</b>			<b>DIODES AND RECTIFIERS</b>		
R301	51293	10K OHM 1/4W 5%	CR301 &		
R302	53008	100 OHM 1W 5% FP	CR302	52552	Transient Voltage Suppressor 51V
R303	43207	5 OHM 5W 10%	CR303	46497	Rectifier 100PRV 1A 1N4002
R304	53008	100 OHM 1W 5% FP	CR304	50714	Fast Recovery Diode 1N4934
R305	43207	5 OHM 5W 10%	CR305 &		
R306	51293	10K OHM 1/4W 5%	CR306	46497	Rectifier 100PRV 1A 1N4002
R307	35328	1.5K OHM 1W 5%	CR307	50714	Fast Recovery Diode 1N4934
R308	53008	100 OHM 1W 5% FP	CR308 &		
R309	53008	100 OHM 1W 5% FP	CR309	46497	Rectifier 100PRV 1A 1N4002
R310	51566	1.5 OHM 1/4W 5%	CR310	50714	Fast Recovery Diode 1N4934
R311	51293	10K OHM 1/4W 5%	CR311	46497	Rectifier 100PRV 1A 1N4002
R312	48043	4.7K OHM 1/4W 10%			
R313	51293	10K OHM 1/4W 5%			<b>RELAYS</b>
R314	51384	2.7K OHM 1/4W 5%	K301	52547	Latch Relay 24V
R315	51566	1.5K OHM 1/4W 5%		52548	Relay Socket - 10 Pin
R316	53008	100 OHM 1W 5% FP		47472	Relay Hold Down Spring
			K302	52321	24V - 2 PDT Relay
				52320	Relay Socket - 8 Pin
				52322	Relay Retainer Spring
<b>CAPACITORS</b>					<b>MISCELLANEOUS</b>
C301 &			F301	ST-10703	Fuse Slo-Blo 0.5A 250V
C302	52361	47 MFD +50-10% 50V		51984	P.C. Fuse Clip
C303	52558	22 MFD 10% 10V	PEC301	52356	P.E.C. Delay Circuit
			P301	ST-10612	3 Ckt. Right Angle Post Connector
			P302	ST-10594	7 Ckt. C.I.S. Right Angle Pin Header
			P303	ST-10593	10 Ckt. Right Angle Post Connector
			S301	52551	Metal Oxide Varistor
<b>TRANSISTORS</b>					
Q301	52549	Power (NPN) TIP 3055			
	ST-6577	Mach. Screw #4-40 x 1/4			
	ST-10469	Hex Nut #4-40			
Q302	47831	(PNP) MPS-A56			
Q303	52549	Power (NPN) TIP 3055			
	ST-6577	Mach. Screw #4-40 x 1/4			
	ST-10469	Hex Nut #4-40			
Q304 thru					
Q306	47831	(PNP) MPS-A56			



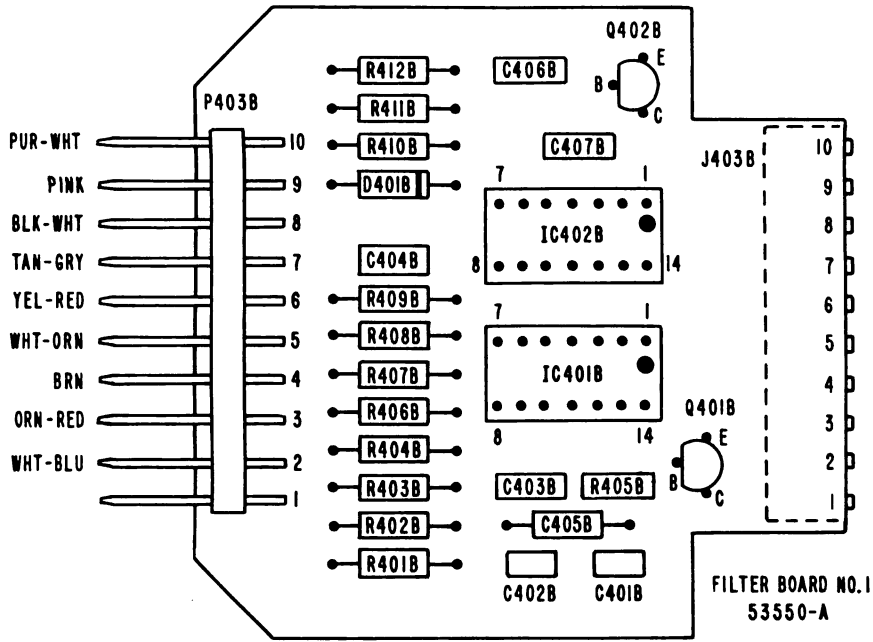


**LOGIC P.C. BOARD ASSEMBLY No. 52240-A**

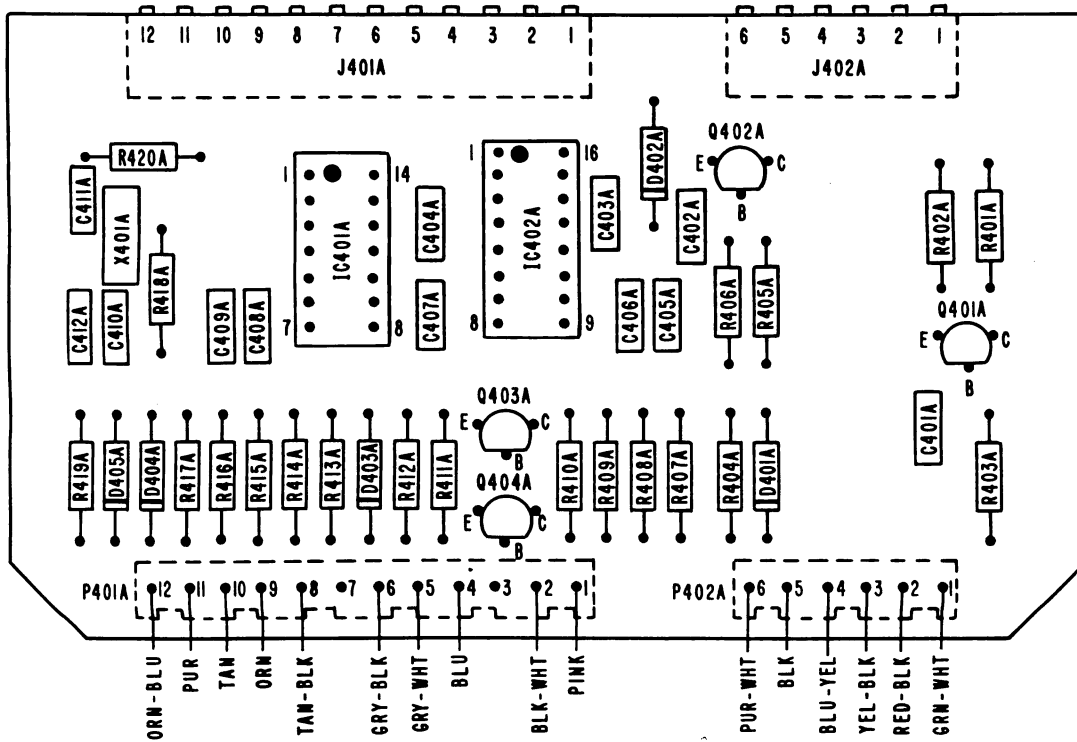
(1st Version With Filter Boards No. 53550-A & No. 53555-A — See Next Page For Parts Listing)



Item	Part No.	Description	Item	Part No.	Description
<b>RESISTORS</b>			C411	48941	.22 MFD 20% 100V
R401	51292	4.7K OHM 1/4W 5%	C412		Not Used
R402	51293	10K OHM 1/4W 5%	C413	45789	150 MMFD 10% 500V
R403	49268	33K OHM 1/4W 5%	C414	52359	1.0 MFD 10% 35V
R404	49264	470 OHM 1/4W 5%	C415	49146	2.2 MFD 20% 25V
R405	52358	2.2K OHM 1/4W 5%	C416	47421	.1 MFD 20% 250V
R406	52757	TRIM CONTROL 50K OHM	C417&		
R407	51294	47K OHM 1/4W 5%	C418	45790	.001 MFD 10% 500V
R408	52358	2.2K OHM 1/4W 5%	C419	47421	.1 MFD 20% 250V
R409	51291	22K OHM 1/4W 5%	C420	52736	33 MFD 10% 25V
R410	52733	62K OHM 1/4W 5%	C421	52735	20 MMFD 10% 100V
R411	51291	22K OHM 1/4W 5%	<b>TRANSISTORS</b>		
R412	49268	33K OHM 1/4W 5%	Q401 thru		
R413	52563	560 OHM 1/4W 5%	Q406	45747	(NPN) 2N4424
R414	52621	68K OHM 1/4W 5%	<b>DIODES AND RECTIFIERS</b>		
R415	51564	1K OHM 1/4W 5%	CR401 thru		
R416	51291	22K OHM 1/4W 5%	CR406	51498	DIODE 1N4148
R417	51293	10K OHM 1/4W 5%	CR407	46497	RECTIFIER 100PRV 1A 1N4002
R418	51291	22K OHM 1/4W 5%	CR408	52719	ZENER 1W 8.2V 5% 1N4738A
R419 &			CR409	46497	RECTIFIER 100PRV 1A 1N4002
R420	51293	10K OHM 1/4W 5%	CR410 thru		
R421	51292	4.7K OHM 1/4W 5%	CR420	51498	DIODE 1N4148
R422	51293	10K OHM 1/4W 5%	LED #4 thru		
R423	51294	47K OHM 1/4W 5%	LED #7	51994	(1/4 DIA) LED (RED)
R424	51293	10K OHM 1/4W 5%	<b>INTEGRATED CIRCUITS</b>		
R425	51292	4.7K OHM 1/4W 5%	IC401	51726	Mechanism Controller M/M5799NAX / N
R426	51293	10K OHM 1/4W 5%		52721	28 Contact Solder Dip Socket
R427	51291	22K OHM 1/4W 5%	IC402	52560	556 Dual Timer
R428	51292	4.7K OHM 1/4W 5%		52720	14 Contact Solder Dip Socket
R429	51293	10K OHM 1/4W 5%	IC403	52546	Tri-State Buffer-Hex MM80C97N
R430	51291	22K OHM 1/4W 5%		52724	16 Contact Solder Dip Socket
R431 &			IC404	51993	4069 Hex Inverter
R432	51293	10K OHM 1/4W 5%		52720	14 Contact Solder Dip Socket
R433	51291	22K OHM 1/4W 5%	<b>RELAYS AND SWITCHES</b>		
R434	52358	2.2K OHM 1/4W 5%	K401&		
R435 &			K402	52739	Reed Relay 12V
R436	51566	1.5K OHM 1/4W 5%	K403	52738	Reed Relay 24V
R437	46943	820 OHM 1/2W 5%	SW #1	52727	Miniature Slide Switch S.P.D.T.
R438	51293	10K OHM 1/4W 5%	SW #2	52725-06	Key Switch One Contact (Blue)
R439 &			SW #3	52725-02	Key Switch One Contact (Red)
R440	52734	1 MEG OHM 1/4W 5%	<b>MISCELLANEOUS</b>		
R441	49264	470 OHM 1/4W 5%	IX	52737	Resonator LX1
<b>CAPACITORS</b>			P401	ST-10607	12 Ckt. Right Angle Post Connector
C401	49146	2.2 MFD 20% 25V	P402	ST-10573	6 Ckt. Right Angle Post Connector
C402	45790	.001 MFD 10% 500V	P403	ST-10593	10 Ckt. Right Angle Post Connector
C403	48949	.027 MFD 10% 250V			
C404	50104	.0022 MFD 10% 250V			
C405	48941	.22 MFD 20% 100V			
C406	48951	.47 MFD 20% 100V			
C407 &					
C408	48947	.015 MFD 10% 250V			
C409	48949	.027 MFD 10% 250V			
C410	48947	.015 MFD 10% 250V			



FILTER BOARD NO.2  
53555-A

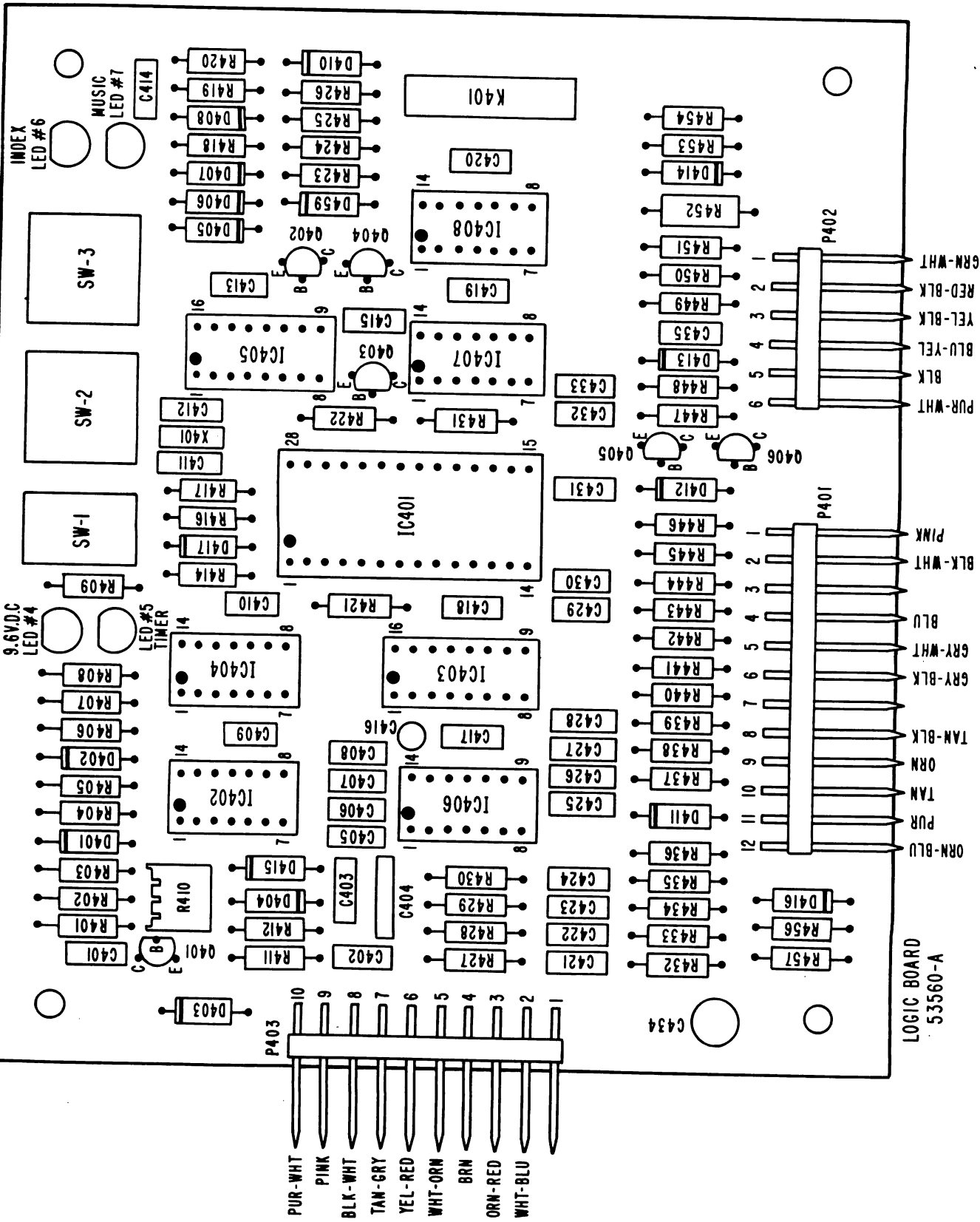




**LOGIC FILTER P.C. BOARD No. 1 — No. 53550-A**

Item	Part No.	Description	Item	Part No.	Description
<b>RESISTORS</b>			R407A	51292	4.7K Ohm
<i>Note: All resistors are 1/4 Watt 5% tolerance.</i>			R408A	51564	1K Ohm
R401B	51294	47K Ohm	R409A	51293	10K Ohm
R402B	51293	10K Ohm	R410A	51293	10K Ohm
R403B	51294	47K Ohm	R411A	51384	2.7K Ohm
R404B	51293	10K Ohm	R412A	51293	10K Ohm
R405B	51293	10K Ohm	R413A	49269	27K Ohm
R406B	51294	47K Ohm	R414A	51292	4.7K Ohm
R407B	51293	10K Ohm	R415A	51293	10K Ohm
R408B	51294	47K Ohm	R416A	51564	1K Ohm
R409B	51293	10K Ohm	R417A	51289	100 Ohm
R410B	51294	47K Ohm	R418A	52734	1 Meg Ohm
R411B	51293	10K Ohm	R419A	51564	1K Ohm
R412B	51293	10K Ohm	R420A	51293	10K Ohm
<b>CAPACITORS</b>			<b>CAPACITORS</b>		
C401B	53302	.01 Mfd 50 WVDC 10%	C401A	53302	.01 Mfd 50 WVDC 10%
C402B	53302	.01 Mfd 50 WVDC 10%	C402A	53302	.01 Mfd 50 WVDC 10%
C403B	53302	.01 Mfd 50 WVDC 10%	C403A	53299	.1 Mfd 50 WVDC 10%
C405B	53299	.1 Mfd 50 WVDC 10%	C404A	53299	.1 Mfd 50 WVDC 10%
C406B	53302	.01 Mfd 50 WVDC 10%	C405A	53302	.01 Mfd 50 WVDC 10%
C407B	53299	.1 Mfd 50 WVDC 10%	C406A	53302	.01 Mfd 50 WVDC 10%
<b>DIODES AND TRANSISTORS</b>			C407A	53302	.01 Mfd 50 WVDC 10%
D401B	46497	100 PRV 1 Amp (IN4002)	C408A	53302	.01 Mfd 50 WVDC 10%
Q401B	49415	Transistor MPS-A06 (NPN)	C409A	53302	.01 Mfd 50 WVDC 10%
Q402B	49415	Transistor MPS-A06 (NPN)	C410A	33762	470 Mmfd 1K Ceramic Disc 10%
<b>INTEGRATED CIRCUITS</b>			C411A	42297	100 Mmfd 1K WVDC 10%
IC401B	51993	4069 Hex Inverter	C412A	53302	.01 Mfd 50 WVDC 10%
IC402B	51993	4069 Hex Inverter	<b>DIODES AND TRANSISTORS</b>		
<b>MISCELLANEOUS</b>			D401A	51498	Diode (IN4148)
P403B	ST-10593	10 Cir Right Angle Post Connector	D402A	46497	100 PRV 1 Amp (IN4002)
J403B	ST-10724	10 Cir Receptacle	D403A	51498	Diode (IN4148)
<b>LOGIC FILTER P.C. BOARD No. 2 — No. 53555-A</b>			D404A	51498	Diode (IN4148)
<b>RESISTORS</b>			D405A	51498	Diode (IN4149)
<i>Note: All resistors are 1/4 Watt 5% tolerance.</i>			Q401A	49415	Transistor MPS-A06 (NPN)
R401A	49269	27K Ohm	Q402A	49415	Transistor MPS-A06 (NPN)
R402A	51293	10K Ohm	Q403A	49415	Transistor MPS-A06 (NPN)
R403A	51384	2.7K Ohm	Q404A	49415	Transistor MPS-A06 (NPN)
R404A	51294	47K Ohm	<b>INTEGRATED CIRCUITS AND RESONATOR</b>		
R405A	49269	27K Ohm	IC401A	51993	4069 Hex Inverter
R406A	51293	10K Ohm	IC402A	53357	4050 Hex Buffer
<b>MISCELLANEOUS</b>			X401A	53372	Resonator
P401A	ST-10654	12 Cir Post Connector	<b>MISCELLANEOUS</b>		
P402A	51632	6 Cir Post Connector	P401A	ST-10654	12 Cir Post Connector
J401A	ST-10714	12 Cir Receptacle	P402A	51632	6 Cir Post Connector
J402A	ST-10723	6 Cir Receptacle	J401A	ST-10714	12 Cir Receptacle
			J402A	ST-10723	6 Cir Receptacle





LOGIC BOARD  
53560-A

**LOGIC P.C. BOARD ASSEMBLY No. 53560-A**  
(2nd Version Without Filter Boards)

Item	Part No.	Description	Item	Part No.	Description	Item	Part No.	Description
<b>RESISTORS</b>						<b>CAPACITORS</b>		
Note: All resistors are 1/4 Watt 5% tolerance.								
R401	51292	4.7K Ohm	R430	51294	47K Ohm	C401	53301	.027 Mfd 50 WVDC 10%
R402	51293	10K Ohm	R431	51293	10K Ohm	C402	53302	.01 Mfd 50 WVDC 10%
R403	49268	33K Ohm	R432	51294	47K Ohm	C403	53302	.01 Mfd 50 WVDC 10%
R404	52358	2.2K Ohm	R433	51293	10K Ohm	C404	52799	.47 Mfd 100 WVDC 10%
R405	49268	33K Ohm	R434	51294	47K Ohm	C405	52399	.1 Mfd 50 WVDC 10%
R406	50966	100K Ohm	R435	51293	10K Ohm	C406	53302	.01 Mfd 50 WVDC 10%
R407	51293	10K Ohm	R436	51294	47K Ohm	C407	53301	.027 Mfd 50 WVDC 10%
R408	52563	560 Ohm	R437	51564	1K Ohm	C408	53299	.1 Mfd 50 WVDC 10%
R409	52563	560 Ohm	R438	51564	1K Ohm	C409	53299	.1 Mfd 50 WVDC 10%
R410	52757	50K Ohm Trim Control	R439	51293	10K Ohm	C410	53299	.1 Mfd 50 WVDC 10%
R411	52358	2.2K Ohm	R440	51294	47K Ohm	C411	53604	470 P.F. 50 WVDC 5%
R412	51291	22K Ohm	R441	51384	2.7K Ohm	C412	53327	100 Mmfd 63 WVDC 5%
R414	53593	470K Ohm	R442	51564	1K Ohm	C413	53299	.1 Mfd 40 WVDC 10%
R416	52734	1M Ohm	R443	51293	10K Ohm	C414	53299	.1 Mfd 50 WVDC 10%
R417	51293	10K Ohm	R444	51292	4.7K Ohm	C415	53302	.01 Mfd 50 WVDC 10%
R418	51564	1K Ohm	R445	51293	10K Ohm	C416	52359	1.0 Mfd 35 WVDC 10%
R419	50966	100K Ohm	R446	51293	10K Ohm	C417	53299	.1 Mfd 50 WVDC 10%
R420	51564	1K Ohm	R447	51293	10K Ohm	thru		
R421	51294	47K Ohm	R448	51293	10K Ohm	C420	53299	.1 Mfd 50 WVDC 10%
R422	51293	10K Ohm	R449	51566	1.5K Ohm	C421	53302	.01 Mfd 50 WVDC 10%
R423	51293	10K Ohm	R450	51566	1.5K Ohm	thru		
R424	51292	4.7K Ohm	R451	51384	2.7K Ohm	C424	53302	.01 Mfd 50 WVDC 10%
R425	51293	10K Ohm	R452	46943	820 Ohm	C425	53299	.1 Mfd 50 WVDC 10%
R426	51291	22K Ohm	R453	49267	56K Ohm	C426	53302	.01 Mfd 50 WVDC 10%
R427	51293	10K Ohm	R454	51564	1K Ohm	thru		
R428	51294	47K Ohm	R455	50966	100K Ohm	C430	53302	.01 Mfd 50 WVDC 10%
R429	51293	10K Ohm	R457	51294	47K Ohm	C431	53299	.1 Mfd 50 WVDC 10%
						C432	53302	.01 Mfd 50 WVDC 10%
						C433	53302	.01 Mfd 50 WVDC 10%
						C434	52362	100 Mfd 40 WVDC
						C435	53299	.1 Mfd 50 WVDC 10%

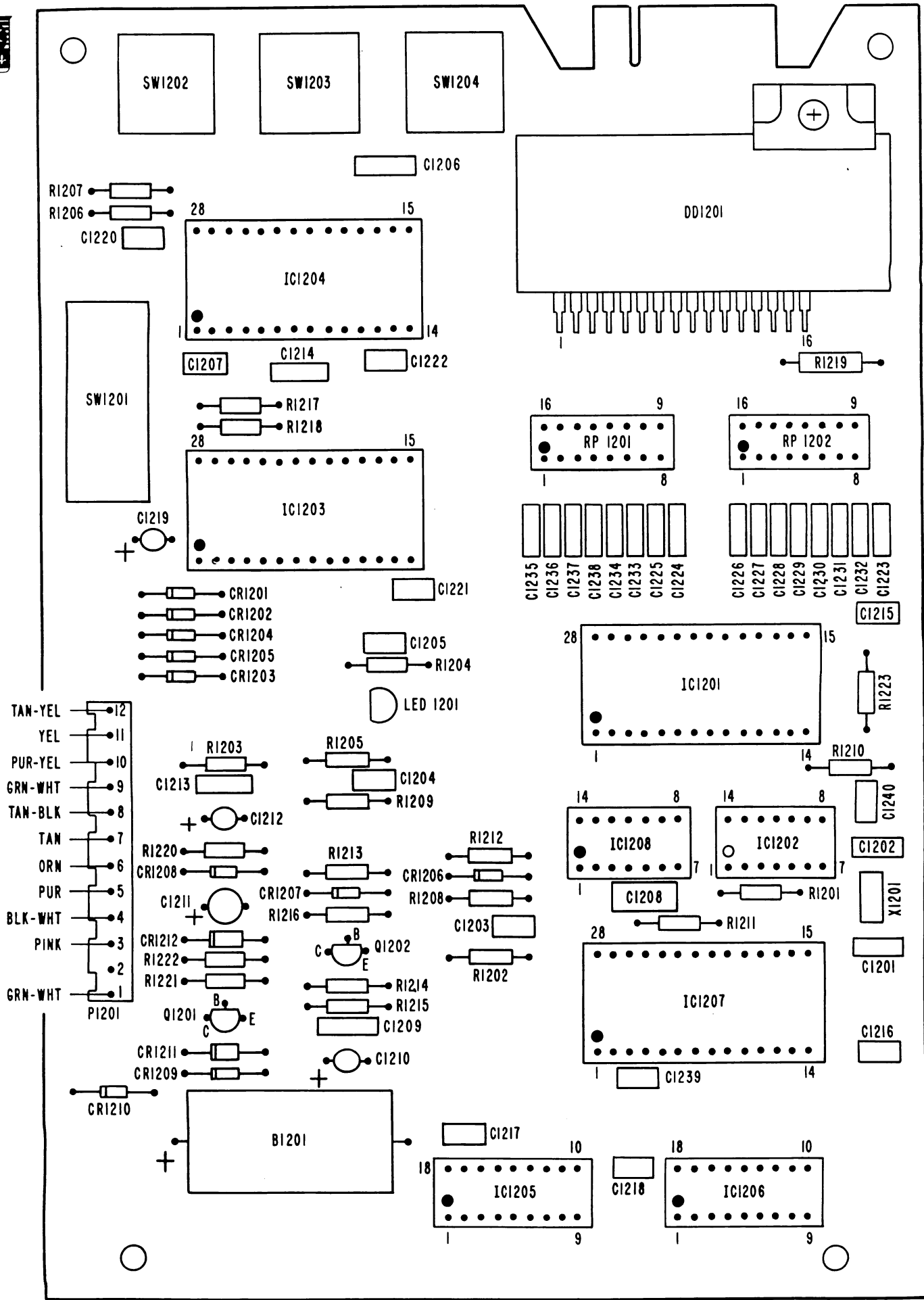
CONTINUED NEXT PAGE





## LOGIC P.C. BOARD ASSEMBLY No. 53560-A — Continued

Item	Part No.	Description	Item	Part No.	Description	Item	Part No.	Description
<b>DIODES AND RECTIFIERS</b>			<b>TRANSISTORS</b>			<b>RELAYS AND SWITCHES</b>		
D401	51498	Diode (1N4148)	Q401	49415	A06 (NPN)	K401	52738	Reed Relay 24V (31441241)
D402	51498	Diode (1N4148)	Q402	47831	A56 (PNP)	SW1	52727	Min. Slide Switch S.P.D.T.
D403	46497	Rect. 100 PRV 1A (1N4002)	Q403	49415	A06 (NPN)	SW2	52725-6	Key Switch — Blue
D404	51498	Diode (1N4148)	thru			SW3	52725-2	Key Switch — Red
thru			Q406	49415	A06 (NPN)			
D408	51498	Diode (1N4148)						
D410	53603	Zener Diode 7.5V 1W (1N4737A) 5%						
D411	46497	Rect. 100 PRV 1A (1N4002)	<b>INTEGRATED CIRCUITS</b>					
D412	46497	Rect. 100 PRV 1A (1N4002)	IC401	51726	Mech Controller (MM5799NAX)	X401	53372	Resonator
D413	51498	Diode (1N4148)	IC402	52560	Dual Timer	P401	ST-10607	12 Crt. Right Angle Post Connector
thru			IC403	52546	Tri-State Buffer-Hex	P402	ST-10573	6 Crt. Right Angle Post Connector
D417	51498	Diode (1N4148)	IC404	51993	4069 Hex Inverter	P403	ST-10593	10 Crt. Right Angle Post Connector
D459	51498	Diode (1N4148)	IC405	53357	Hex Buffer 4050			
LED #4	51994	1/4 Dia. Led — Red	IC406	53338	Hex Schmitt Trigger (74C14)			
thru			IC407	53602	Quad 2 Input AND Gate (4081)			
LED #7	51994	1/4 Dia. Led — Red	IC408	53601	Quad 2 Input NAND Gate (4011)			

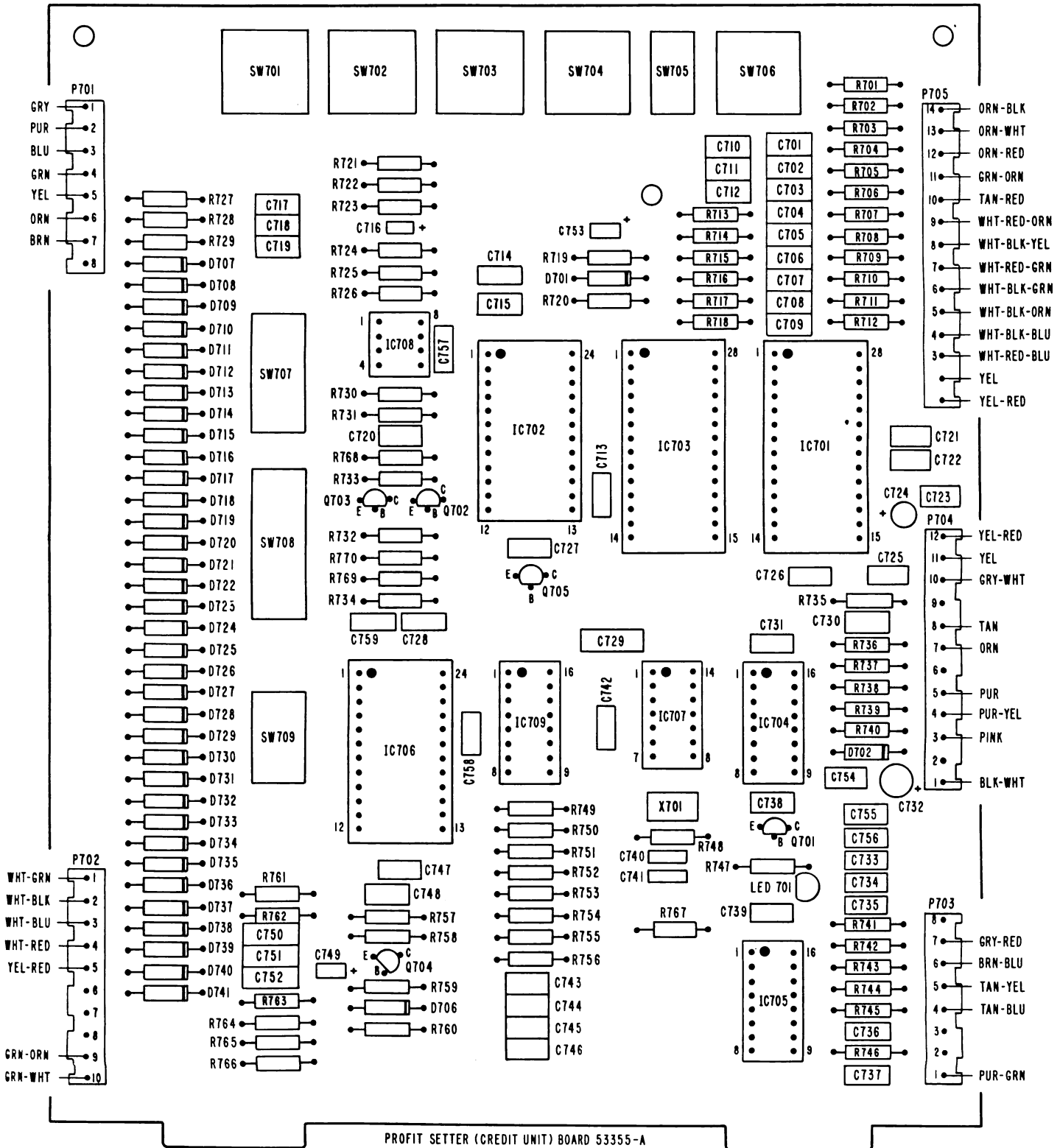


HIT TRACKER (POP METER) BOARD 53365-A



**HIT TRACKER P.C. BOARD ASSEMBLY No. 53365-A**  
(Popularity Meter)

Item	Part No.	Description	Item	Part No.	Description
<b>RESISTORS</b>					
Note: All resistors are 1/4 Watt 5% tolerance unless otherwise noted.					
R1201	52743	1M Ohm	C1222	53299	.1 Mfd 50 WVDC 10%
R1202	51564	1K Ohm	C1223	33762	470 Mmfd 1K V Ceramic Disc 10%
R1203	51564	1K Ohm	thru		
R1204	51293	10K Ohm	C1238	33762	470 Mmfd 1K V Ceramic Disc 10%
R1205	51564	1K Ohm	C1239	53299	.1 Mfd 50 WVDC 10%
R1206	51293	10K Ohm	C1240	53299	.1 Mfd 50 WVDC 10%
R1207	51293	10K Ohm	<b>DIODES AND TRANSISTORS</b>		
R1208	51294	47K Ohm	CR1201	51498	Diode (IN4148)
R1209	51294	47K Ohm	thru		
R1210	51564	1K Ohm	CR1210	51498	Diode (IN4148)
R1211	51293	10K Ohm	CR1211	52719	IN4735A 62 V 1W Zener Diode 5%
R1212	50966	100K Ohm	CR1212	46497	100 PRV 1Amp (IN4002)
R1213	51293	10K Ohm	Q1201	49415	Transistor MPS-A06 (NPN)
R1214	51291	22K Ohm	Q1202	49415	Transistor MPS-A06 (NPN)
R1215	51571	6.8K Ohm	<b>INTEGRATED CIRCUITS AND RESONATOR</b>		
R1216	51292	4.7K Ohm	IC1201	52133-1	Pop Meter Controller (MM5799NFT)
R1217	51293	10K Ohm	IC1202	51993	4069 Hex Inverter
R1218	51293	10K Ohm	IC1203	52524	Display Controller (MM57163)
R1219	53003	10 Ohm 1 Watt 5% F.P.	IC1204	52524	Display Controller (MM57163)
R1220	51292	4.7K Ohm	IC1205	52134	1024 x 1 CMOS RAM (HM 6518)
R1221	52358	2.2K Ohm	IC1206	52134	1024 x 1 CMOS RAM (HM 6518)
R1222	52563	560 Ohm	IC1207	52537	CMOS RAM Interface (MM5785N)
R1223	51293	10K Ohm	IC1208	53338	Hex Schmitt Trigger (74C14)
<b>CAPACITORS</b>					
C1201	53327	100 Mmfd NPO 63 V Ceramic 5%	X1201	53372	Resonator
C1202	53604	470 Mmfd 50 WVDC 5%	<b>MISCELLANEOUS</b>		
C1203	53302	.01 Mfd 50 WVDC 10%	SW1201	53336	Slide Switch DP3T Miniature
C1204	53302	.01 Mfd 50 WVDC 10%	SW1202	52725-6	Key Switch - Blue
C1205	53302	.01 Mfd 50 WVDC 10%	SW1203	52725-8	Key Switch - Gray
C1206	45790	.001 Mfd 500VDC Ceramic Disc 10%	SW1204	52725-2	Key Switch - Red
C1207	53299	.1 Mfd 50 WVDC 10%	DD1201	52556	5 Digit Vacuum Display
C1208	52799	.47 Mfd 100 WVDC 5%		52307	Numeric Display Holder
C1209	45790	.001 Mfd 500 VDC Ceramic Disc 10%		ST-7248	Mach Screw #4-40 x 1/2 Pan Hd
C1210	49416	2.2 Mfd 25 WVDC 20%		ST-10469	Hex Nut #4-40 Twin Serr
C1211	52561	10 Mfd 15V Tantalum 10%	B1201	52726	Litium Battery
C1212	49146	2.2 Mfd 25 WVDC 20%	P1201	ST-10654	12 Cir Post Connector
C1213	45790	.001 Mfd 500 VDC Ceramic Disc 10%	RP1201	53324	Resistor Pack 1K Ohm (8 Single)
C1214	45790	.001 Mfd 500 VDC Ceramic Disc 10%	RP1202	53324	Resistor Pack 1K Ohm (8 Single)
C1215	53299	.1 Mfd 50 WVDC 10%			
C1216	53299	.1 Mfd 50 WVDC 10%			
C1217	53299	.1 Mfd 50 WVDC 10%			
C1218	53299	.1 Mfd 50 WVDC 10%			
C1219	49146	2.2 Mfd 25 WVDC 20%			
C1220	53299	.1 Mfd 50 WVDC 10%			
C1221	53299	.1 Mfd 50 WVDC 10%			



PROFIT SETTER (CREDIT UNIT) P.C. BOARD ASSEMBLY No. 53355-A



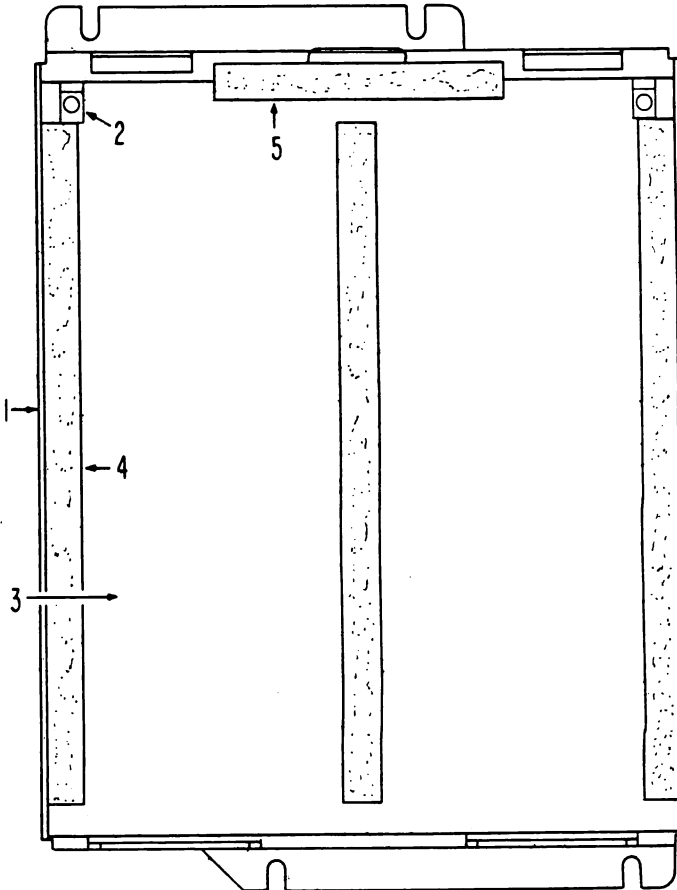
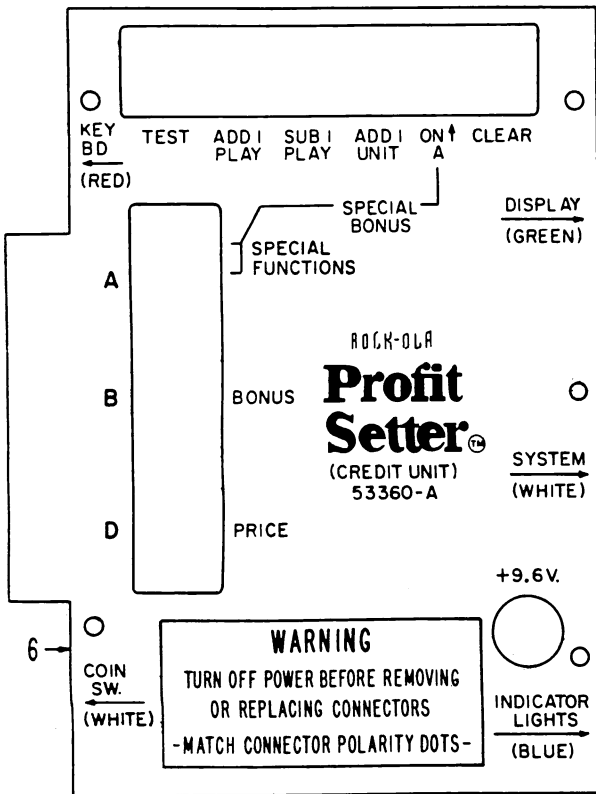
Item	Part No.	Description	Item	Part No.	Description
<b>RESISTORS</b>			<b>CAPACITORS</b>		
Note: All resistors are 1/4 watt 5% tolerance.			C701	33762	470 Mmfd 1000 WVDC 10%
R701	51564	1K Ohm	thru		
thru			C714	33762	470 Mmfd 1000 WVDC 10%
R712	51564	1K Ohm	C715	53302	.01 Mfd 50 WVDC 10%
R713	51293	10K Ohm	C716	53339	4.7 Mfd 16 WVDC 10%
R714	51293	10K Ohm	C717	53301	.027 Mfd 50 WVDC 10%
R715	51291	22K Ohm	C718	53301	.027 Mfd 50 WVDC 10%
thru			C719	53301	.027 Mfd 50 WVDC 10%
R718	51291	22K Ohm	C720	53337	.047 Mfd 50 WVDC 10%
R719	51294	47K Ohm	C721	53299	.1 Mfd 50 WVDC 10%
R720	51291	22K Ohm	C722	53299	.1 Mfd 50 WVDC 10%
R721	51564	1K Ohm	C723	53299	.1 Mfd 50 WVDC 10%
R722	51564	1K Ohm	C724	50647	4.7 Mfd 35 WVDC 20%
R723	51564	1K Ohm	C725	53299	.1 Mfd 50 WVDC 10%
R724	51293	10K Ohm	C726	53299	.1 Mfd 50 WVDC 10%
R725	52734	1 Meg Ohm	C727	53299	.1 Mfd 50 WVDC 10%
R726	51293	10K Ohm	C728	53302	.01 Mfd 50 WVDC 10%
R727	51564	1K Ohm	C729	45790	.001 Mfd 500 WVDC 10%
R728	51564	1K Ohm	C730	33762	470 Mmfd 1K V Ceramic Disc 10%
R729	51564	1K Ohm	C731	53299	.1 Mfd 50 WVDC 10%
R730	51292	4.7K Ohm	C732	50646	10 Mfd 25 WVDC 20%
R731	51293	10K Ohm	C733	53299	.1 Mfd 50 WVDC 10%
R732	51293	10K Ohm	thru		
R733	51294	47K Ohm	C737	53299	.1 Mfd 50 WVDC 10%
R734	52358	2.2K Ohm	C738	53302	.01 Mfd 50 WVDC 10%
R735	51564	1K Ohm	C739	53299	.1 Mfd 50 WVDC 10%
thru			C740	53327	100 Mmfd 63 WVDC 5%
R738	51564	1K Ohm	C741	53604	470 Mmfd 50 WVDC 5%
R739	51293	10K Ohm	C742	53299	.1 Mfd 50 WVDC 10%
R740	52563	560 Ohm	C743	33762	470 Mmfd 1K V Ceramic Disc 10%
R741	51293	10K Ohm	thru		
R742	51289	100 Ohm	C746	33762	470 Mmfd 1K V Ceramic Disc 10%
thru			C747	53299	.1 Mfd 50 WVDC 10%
R746	51289	100 Ohm	C748	53337	.047 Mfd 50 WVDC 10%
R747	51293	10K Ohm	C749	49146	2.2 Mfd 25 WVDC 20%
R748	52734	1 Meg Ohm	C750	53301	.027 Mfd 50 WVDC 10%
R749	49269	33K Ohm	C751	53301	.027 Mfd 50 WVDC 10%
thru			C752	53301	.027 Mfd 50 WVDC 10%
R752	49269	33K Ohm	C753	49146	2.2 Mfd 25 WVDC 20%
R753	51294	47K Ohm	C754	53302	.01 Mfd 50 WVDC 10%
thru			C755	53302	.01 Mfd 50 WVDC 10%
R756	51294	47K Ohm	C756	53302	.01 Mfd 50 WVDC 10%
R757	51291	22K Ohm	C757	53299	.1 Mfd 50 WVDC 10%
R758	51294	47K Ohm	C758	53299	.1 Mfd 50 WDC 10%
R759	51289	100 Ohm	C759	53302	.01 Mfd 50 WVDC 10%
R760	50968	150K Ohm			
R761	51564	1K Ohm	<b>DIODES AND TRANSISTORS</b>		
thru			D701	51498	Diode (IN4148)
R766	51564	1K Ohm	D702	46497	100 PRV 1 Amp Mini (IN4002)
R767	51293	10K Ohm	D703		
R768	51294	47K Ohm	thru	Not Used	
R769	51293	10K Ohm	D705		
R770	51291	22K Ohm			

MORE ON NEXT PAGE



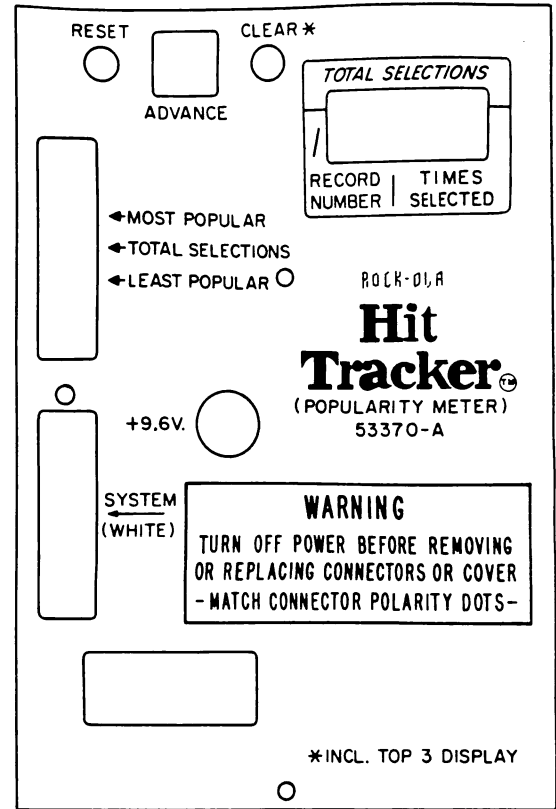
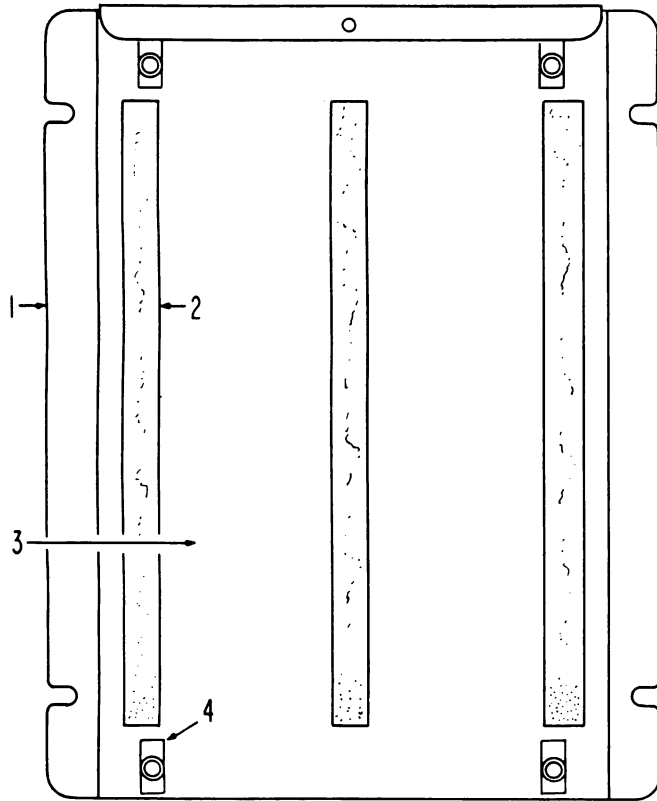
**PROFIT SETTER PARTS – Continued**

Item	Part No.	Description	Item	Part No.	Description
<b>DIODES AND TRANSISTORS</b>			IC709	53357	Hex Buffer (4050)
D706	51498	Diode (IN4148)	<b>SWITCHES</b>		
D707	51498	Diode (IN4148)	SW701	52725-6	Key Switch – Blue
thru			SW702	52725-9	Key Switch – White
D741	51498	Diode (IN4148)	SW703	52725	Key Switch – Black
Q701	49415	Transistor MPS-A06 (NPN)	SW704	52725-8	Key Switch – Gray
Q702	49415	Transistor MPS-A06 (NPN)	SW705	52727	Mini Slide Switch SPDT
Q703	49415	Transistor MPS-A06-(NPN)	SW706	52725-2	Key Switch – Red
Q704	48063	Transistor NPN 2N5307	SW707	51304	8 Station Dip Switch SPST
Q705	47831	Transistor MP5A56 (PNP)	SW708	52606	10 Station Dip Switch SPST
			SW709	51303	6 Station Dip Switch SPST
<b>INTEGRATED CIRCUITS</b>			<b>MISCELLANEOUS</b>		
IC701	52524	Display Controller (MM57163N)	P701	49275	8 Circuit Post Connector
IC702	52150	Credit ROM (MM5781NCY)	P702	49276	10 Circuit Post Connector
IC703	52151	Credit Controller (MM5782N)	P703	49275	8 Circuit Post Connector
IC704	52546	Tri-State Buffer-Hex (MM80C97N)	P704	ST-10654	12 Circuit Post Connector
IC705	52539	Shift Register (DS3654N)	P705	ST-10577	14 Circuit Post Connector
IC706	52544	Decoder (DS8664N)	LED701	51994	LED – Red
IC707	51993	4069 Hex Inverter	X701	53372	Resonator
IC708	53358	Programmable Timer (XR2242)			

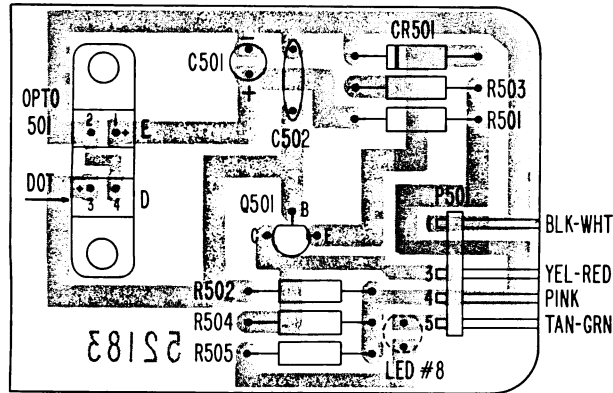


1	53544-A	Unit Mtg. Plate Riveting Assem.	4	50267	Rubber Cushion 7-3/8" Lg.
2	ST-10727	Circuit Board Support	5	47036	Foam Cushion 3-3/8" Lg.
3	53354	Credit Board Insulator	6	53352	Credit Unit Cover





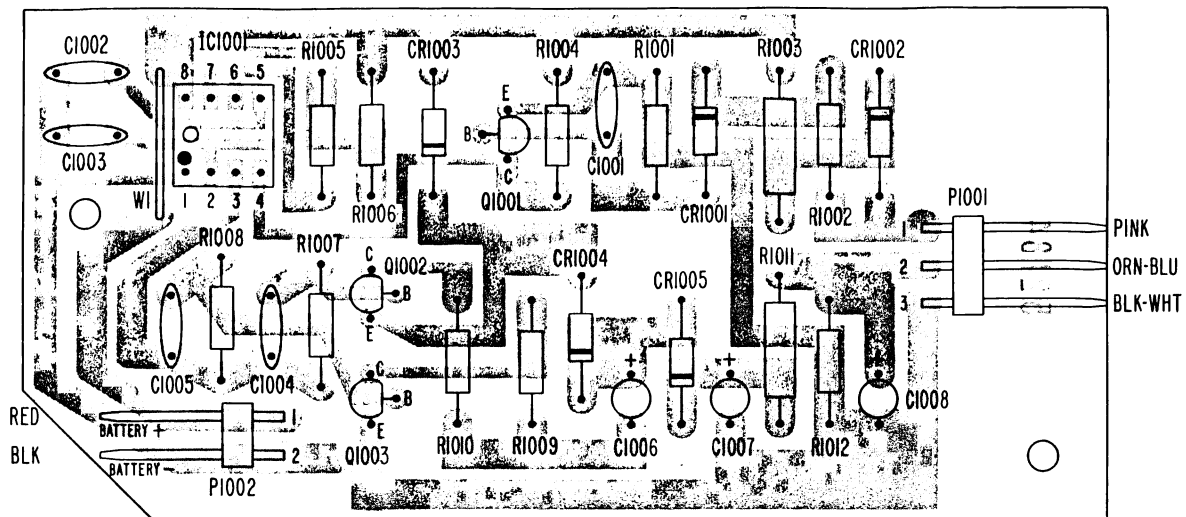
Item	Part No.	Description	Item	Part No.	Description
1	52427	Unit Mtg. Plate	4	ST-10657	Circuit Board Support
2	45816	Rubber Cushion 6-1/4"	5	52428-1	Pop Meter Cover
3	52608	Credit Board Insulator			



OPTO BOARD  
52250-A

**OPTO P.C. BOARD ASSEMBLY NO. 52250-A**

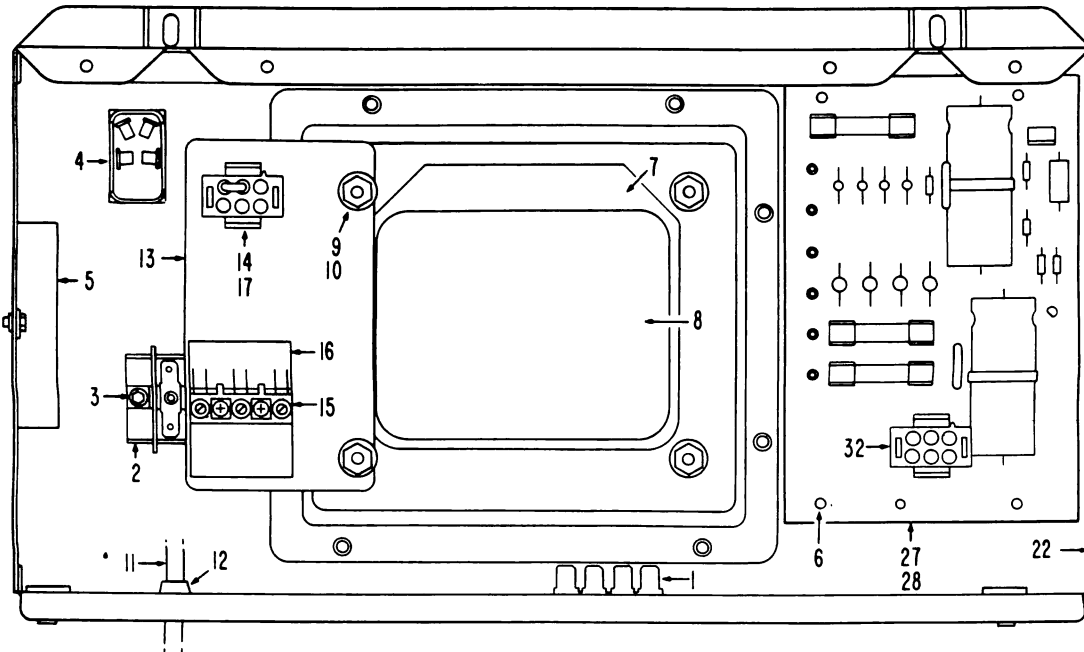
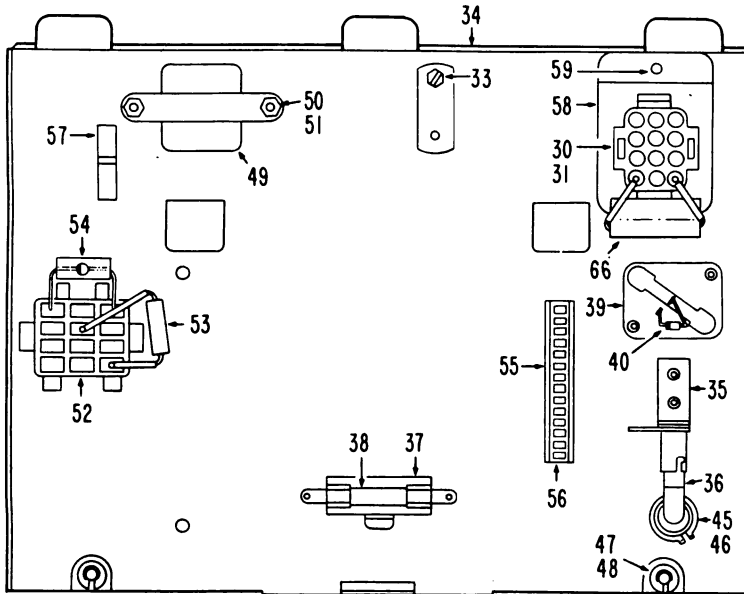
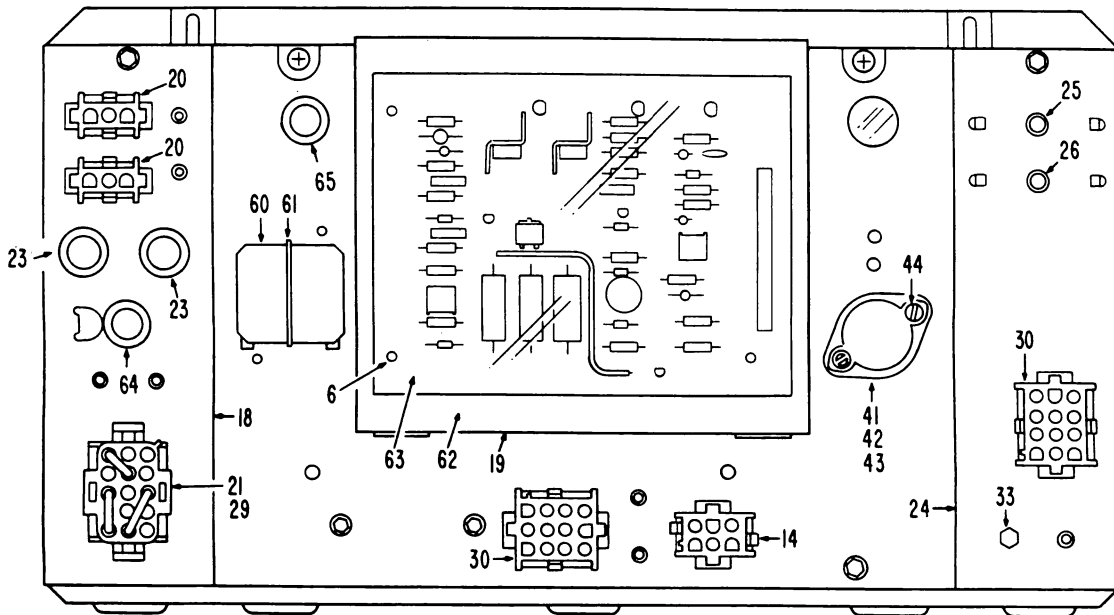
Item	Part No.	Description
<b>RESISTORS</b>		
R501	52377	390 OHM 1/4W 5%
R502	49269	27K OHM 1/4W 5%
R503	51293	10K OHM 1/4W 5%
R504	51292	4.7K OHM 1/4W 5%
R505	52563	560 OHM 1/4W 5%
<b>CAPACITORS</b>		
C501	52561	10 MFD 10% 15V
C502	33762	470 MMFD 10% 1000V
<b>DIODES AND TRANSISTORS</b>		
CR501	51498	Diode 1N4148
LED #8	51994	(1/4 Dia.) LED (Red)
Q501	45747	Transistor (NPN) 2N4424
<b>MISCELLANEOUS</b>		
OPTO 501	52562	Opto-Interruptor
P501	ST-10572	4 Ckt. CIS Right Angle Pin Header



**BATTERY P.C. BOARD ASSEMBLY NO. 52255-A**

Item	Part No.	Description	Item	Part No.	Description
<b>RESISTORS</b>			<b>TRANSISTORS</b>		
R1001	52358	2.2K OHM 1/4W 5%	Q1001	45747	(NPN) 2N4424
R1002	49264	470 OHM 1/4W 5%	Q1002	47831	(PNP) MPS-A56
R1003	53002	27 OHM 1W 5% FP	Q1003	45747	(NPN) 2N4424
R1004	51293	10K OHM 1/4W 5%			
R1005	52621	68K OHM 1/4W 5%	<b>DIODES AND RECTIFIERS</b>		
R1006	52358	2.2K OHM 1/4W 5%	CR1001	52719	Zener 1W, 8.2V 5% 1N4738A
R1007	47832	5.6K OHM 1/4W 10%	CR1002	46497	Rectifier 100 PRV 1A 1N4002
R1008	51293	10K OHM 1/4W 5%	CR1003 thru		
R1009 &			CR1005	50714	Fast Recovery Diode 1N4934
R1010	53001	4.7 OHM 1W 5% Fp	<b>INTEGRATED CIRCUITS</b>		
R1011	53003	10 OHM 1W 5% FP	IC1001	51991	555 Timer
R1012	51291	22K OHM 1/4W 5%	<b>MISCELLANEOUS</b>		
<b>CAPACITORS</b>			F1001	ST-10694	.5 Amp. 125 V Sub-Min Fuse
C1001 thru			P1001	ST-10612	3 Ckt. Right Angle Post Connector
C1005	45790	.001 MFD 10% 500V	P1002	ST-10630	2 Ckt. Right Angle Post Connector
C1006 thru					
C1008	52561	10 MFD 10% 15V			



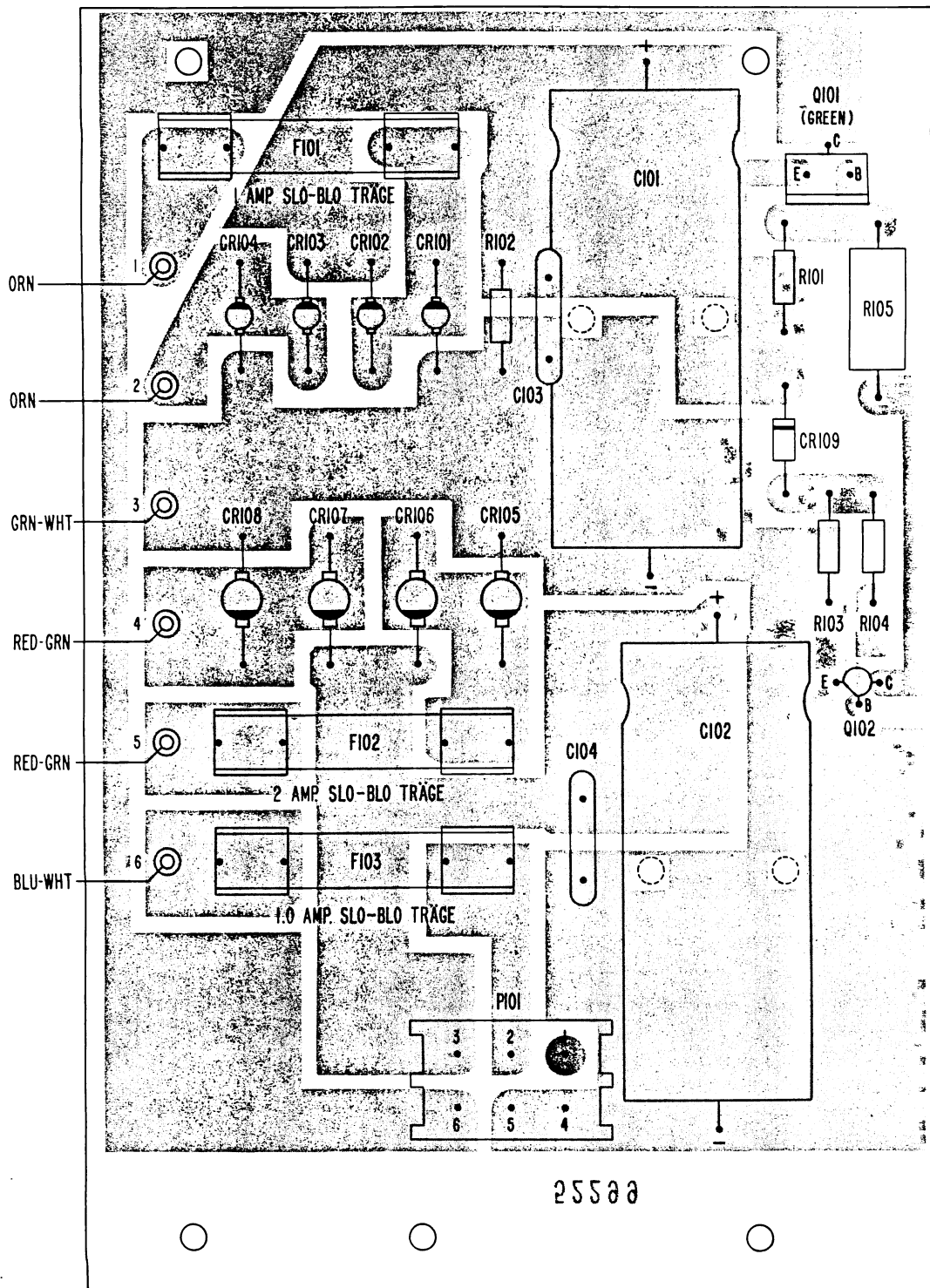


**POWER DISTRIBUTION ASSEMBLY**



**120 Volt 60HZ USA—52390-A, 120 Volt 60HZ Canada—52395-A  
 100 Volt 60HZ Japan—52400-A, 220 Volt 50HZ Germany—52405-A  
 220 Volt 50HZ Belgium—52405-A, 240 Volt 50HZ—England—52415-A  
 240 Volt 50HZ Australia—52410-A**

Item	Part No.	Description	Item	Part No.	Description
1	ST-10627	Ground Terminal Strip	29	52666-A	15 Circuit Universal Pin Hsg. Assy. (Wht)
2	49242	Terminal Block			U.S.A. - Canada - Japan
3	ST-2560	6-32 x 5/8 Hex Flg. Whiz Lock		52667-A	15 Circuit Universal Pin Hsg.
	ST-8715	6-32 Hex Whiz Lock Nut			Assem. (Blue) Germany-Belgium-
4	49313	DPST Toggle Switch			England-Australia
	49240	Rocker Switch - (Germany)	30	ST-10502	12 Circ. Universal Socket Hsg.
5	52714-A	4 Amp RFI Filter Assembly - Germany	31	ST-10503	12 Circ. Universal Pin Hsg.
6	ST-10538	Plastic Board Support	32	ST-10567	6 Circ. Universal Pin Hsg.
7	52434	Transformer Gasket	33	ST-10062	8-36 x 5/16 Hex Hd. M.S. (Green Hd)
8	52693-A	Power Transformer Assembly	34	52656-A	P.D. Front Panel Rivet Assem.
	52435	Power Transformer Only	35	52631	Light Socket
	52693-CA	Power Transformer Assy. - Canada	36	ST-10600	Type #1829 Lamp
	52435-C	Power Transformer Only - Canada	37	49307	Fuse Holder
9	ST-8722	10-32 Hex Flg. Whiz Lock Nut	38	ST-4323	8/10 Amp Slo-Blo Fuse
10	ST-9823	Tapered Caplug	39	52649	TO-3 Transistor Socket
11	52694-A	Line Cord Assembly - U.S.A.	40	46497	100 P.R.V. 1 Amp Rectifier
	51251	3 Conductor Cord Set - (German/Belgium)	41	48098	Insulator - Power Transistor
	47833	3 Conductor Cord - England	42	52529	Adjustable Regulator
	47862	3 Conductor Cord - Australia	43	52651	TO-3 Insulating Cover
12	ST-6904	Strain Relief	44	ST-10462	6 x 5/8 Pan Hd. (Type B) Sc.
	49241	Strain Relief - Germany	45	52652	Plastic Lens
13	52447	Socket Mtg. Plate	46	ST-10641	Retaining Ring
14	ST-10568	6 Circ. Universal Socket Housing	47	ST-8266	8-32 x 5/16 Pan Hd. Swageform
15	47827	3 Pole Input Terminal - Germany	48	ST-9263	Retaining Ring
16	19007	Input Terminal Insulator - Germany	49	52658-A	Display Transformer Assy.
17	52668-A	6 Circ. Universal Pin Hsg. Assem.		52474	Display Filament Transformer Only
		U.S.A. - Canada	50	ST-2556	6-32 x 5/16 Hex Flg. Whiz Lock
	52669-A	6 Circ. Universal Pin Hsg. Assem.	51	ST-3453	6-32 Hex Nut
		Germany - Belgium	52	49258	Relay Socket
	52670-A	6 Circ. Universal Pin Hsg. Assem.	53	46769	2 OHM 2 Watt Resistor
		Australia - England	54	47972	200 PRV 1.5 Amp Rectifier
	52671-A	6 Circ. Universal Pin Hsg. Assem.	55	ST-10628	14 Circ. Snap-In Header
		Japan	56	49292	14 Circ. Post Housing
18	52596-A	P.D. Fuse Plate Weld Assembly	57	ST-10296	Cable Fastener
		U.S.A. - Canada - Japan	58	52448	Socket Mtg. Bracket
	52596-GA	P.D. Fuse Plate Weld Assembly	59	ST-8267	8 x 1/4 Hex Flg. Swageform
		Germany-Belgium-England-Australia	60	49257	Relay 3 P.D.T. 24 VDC
19	52449	Front Panel Cover	61	49259	Relay Hold Down Spring
20	ST-10589	3 Circ. Universal Socket Hsg.-Wht.	62	52567	Insulator - Regulator Board
21	ST-10500	15 Circ. Universal Socket Hsg. (Wht)	63	52350-A	Regulator P.C. Board Assem.
		U.S.A. - Canada - Japan	64	49447	Fuse Holder - U.S.A.
	ST-10500-6	15 Circ. Universal Socket Hsg. (Blue)		ST-9631	5 Amp 250V Slo-Blo Fuse
		Germany-Belgium-England-Australia		49250	Shock-Safe Fuseholder - Germany
22	52691-A	P.D. Chassis Rivet Assy.		ST-3090	3 Amp 250V Slo-Blo Fuse - Germany
23	ST-9843	Tapered Caplug #5		52023 -A	Fuse Holder Assem. - Canada
24	52597-A	P.D. Circuit Breaker Plate Weld Assy.		49687	5 Amp Fuse,tron GMQ - Canada
25	52792	.93 Amp Circuit Breaker	65	49250	Shock-Safe Fuseholder
26	49260	3 Amp Circuit Breaker		ST-4330	1/4 Amp Slo-Blo Fuse
27	52408	Rectifier Board Insulator		53029 A	Fuseholder Assem. - Canada
28	52355-A	Rectifier P.C. Board Assembly		ST-10695	.25 Amp Slo-Blo GMQ Fuse - Canada
			66	52763	.1 MFD 125 VAC Capacitor



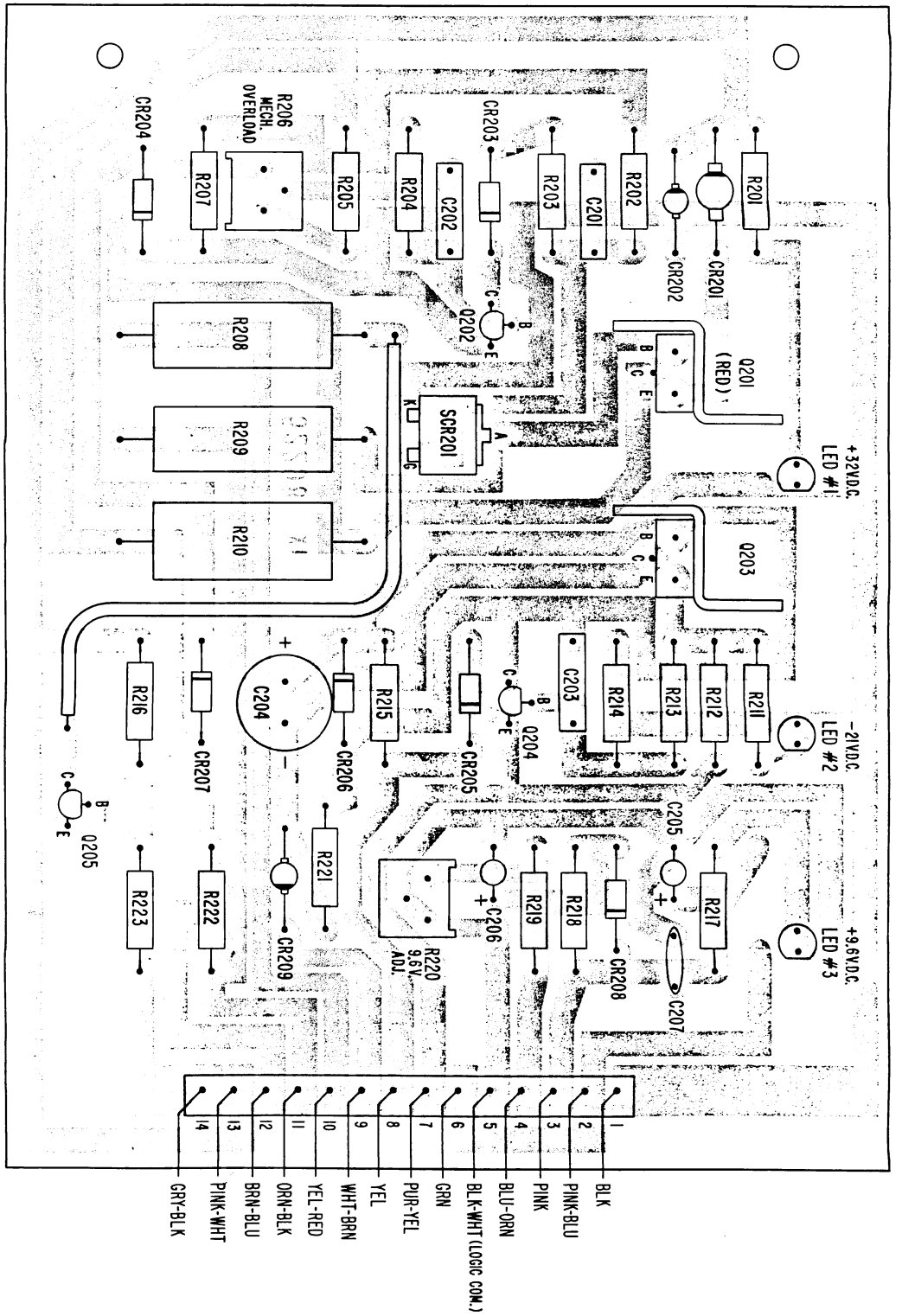
- PI01
- 1.
  - 2. BLU-WHT
  - 3. BRN-BLU
  - 4. PINK-BLU
  - 5. BLK-WHT
  - 6. BLK

RECTIFIER BOARD  
52355-A



### RECTIFIER P.C. BOARD ASSEMBLY NO. 52355-A

Item	Part No.	Description
<b>RESISTORS</b>		
R101 thru R103	51292	4.7K OHM 1/4W 5%
R104	51293	10K OHM 1/4W 5%
R105	35446	1K OHM 1W 5%
<b>CAPACITORS</b>		
C101	52653	2500 MFD +50-10% 35V
C102	45734	1200 MFD +50-10% 50V
C103 & C104	52889	.1 MFD 20% 100V
<b>TRANSISTORS</b>		
Q101	48932-2	PWR Tab (PNP) GRN
Q102	48063	Darlington (NPN) 2N5307
<b>DIODES AND RECTIFIERS</b>		
CR101 thru CR104	47972	Rectifier Glass 200 PRV 1.5A
CR105 thru CR108	48214	Rectifier Glass 200 PRV 3A
ZCR101 or CR109	52559	Zener 1W 11V 5% 1N4741A
<b>FUSES</b>		
F101	ST-4332	1 AMP Slo-Blo 250V
F102	ST-9600	2 AMP Slo-Blo 250V
F103	ST-4332 51984	1 AMP Slo-Blo 250V P.C. Fuse Clip
<b>MISCELLANEOUS</b>		
P101	ST-10585 44784-1	6 Ckt. Univ. Pin Header P.C. Pin .093 Dia.



REGULATOR BOARD  
52350-A





**REGULATOR P.C. BOARD ASSEMBLY NO. 52350-A**

Item	Part No.	Description	Item	Part No.	Description
<b>RESISTORS</b>			<b>TRANSISTORS</b>		
R201	31373	3.3K OHM 1/2W 10%	Q201	52592	Darlington (NPN) D44E2
R202 &				51631-2	Heat Sink
R203	16224	1K OHM 1/2W 10%		ST-10318	Mach. Screw #4-40 x 5/16
R204	31373	3.3K OHM 1/2W 10%		ST-9430	Washer, Fiber
R205	33472	100 OHM 1/2W 5%		ST-10469	Hex Nut #4-40
R206	52602	Trim Control 100 OHM	Q202	47831	(PNP) MPS-A56
R207	16226	4.7K OHM 1/2W 10%	Q203	52593	Darlington (PNP) TIP 115
R208 &				51631-2	Heat Sink
R209	47059	120 OHM 5W 10%		ST-10318	Mach. Screw #4-40 x 5/16
R210	43517	.56 OHM 5W 5%		ST-9430	Washer, Fiber
R211	18659	1.8K OHM 1/2W 5%		ST-10469	Hex Nut #4-40
R212	53011	15 OHM 1W 10% FP	Q204 &		
R213	16224	1K OHM 1/2W 10%	Q205	47831	(PNP) MPS-A56
R214	30579	15K OHM 1/2W 10%	<b>DIODES AND RECTIFIERS</b>		
R215	13182	2.7K OHM 1/2W 10%	CR201	48214	Rectifier Glass 200 PRV 3A
R216	35331	10K OHM 1/2W 5%	CR202	47972	Rectifier Glass 200 PRV 1.5A
R217	42908	750 OHM 1/2W 5%	CR203	48101	Zener 1W 5.6V 5% 1N4734A
R218	35696	270 OHM 1/2W 5%	CR204	46497	Rectifier 100 PRV 1A 1N4002
R219	46249	1.2K OHM 1/2W 5%	CR205	52601	Zener 1W 4.3V 5% 1N4731A
R220	52603	Trim Control 1K OHM	CR206	52594	Zener 1W 22V 5% 1N4748A
R221	16225	3.9K OHM 1/2W 10%	CR207 &		
R222	31373	3.3K OHM 1/2W 10%	CR208	46497	Rectifier 100 PRV 1A 1N4002
R223	13182	2.7K OHM 1/2W 10%	CR209	47972	Rectifier Glass 200 PRV 1.5A
<b>CAPACITORS</b>			SCR201	47433	Silicon Control Rectifier
C201	47422	.047 MFD 20% 250V	LED #1 thru		
C202 &			LED #3	52759	High-Intensity LED (Red)
C203	51989	.01 MFD 5% 250V	<b>MISCELLANEOUS</b>		
C204	52706	100 MFD +50-10% 50V		ST-10629	14 Circuit MODU Receptacle
C205	52736	33 MFD 10% 25V			
C206	49146	2.2 MFD 20% 25V			
C207	50104	.0022 MFD 10% 250V			





CHASSIS RIVET ASSEMBLY #52461-A

COVER #45536

J14

LAMP HOLDER #49318  
1829 LAMP #ST-10600

P7

J7

**STEREO AMPLIFIER**  
**No. 52280-A**

PARTS LIST ON  
PAGES 53 & 54

C72

C71

P15

J16

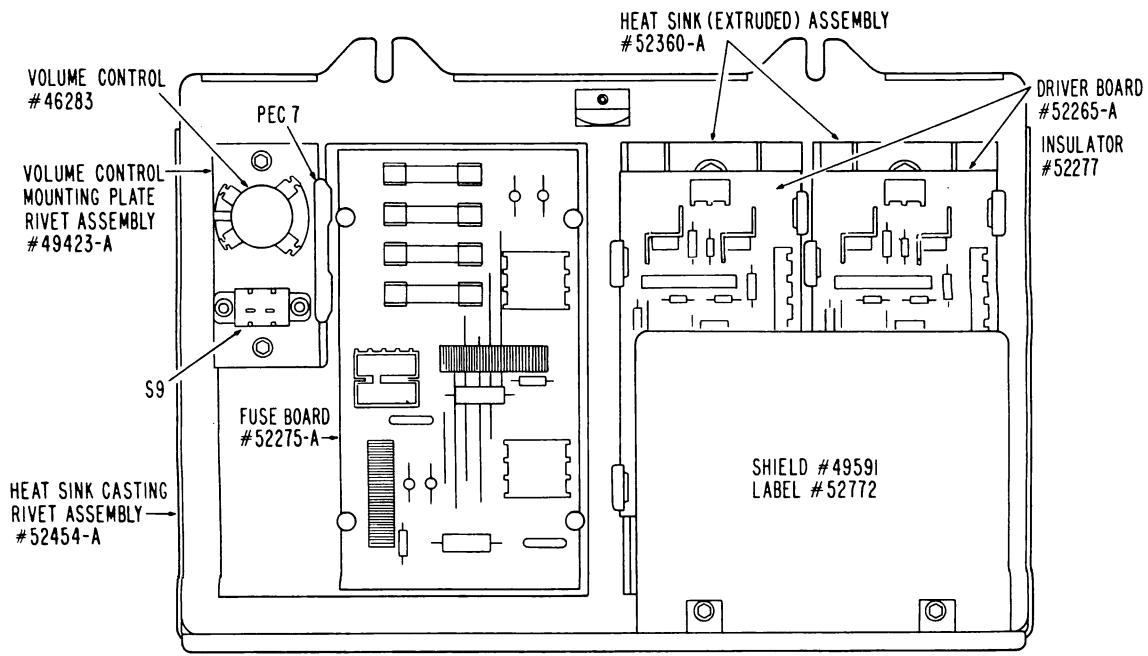
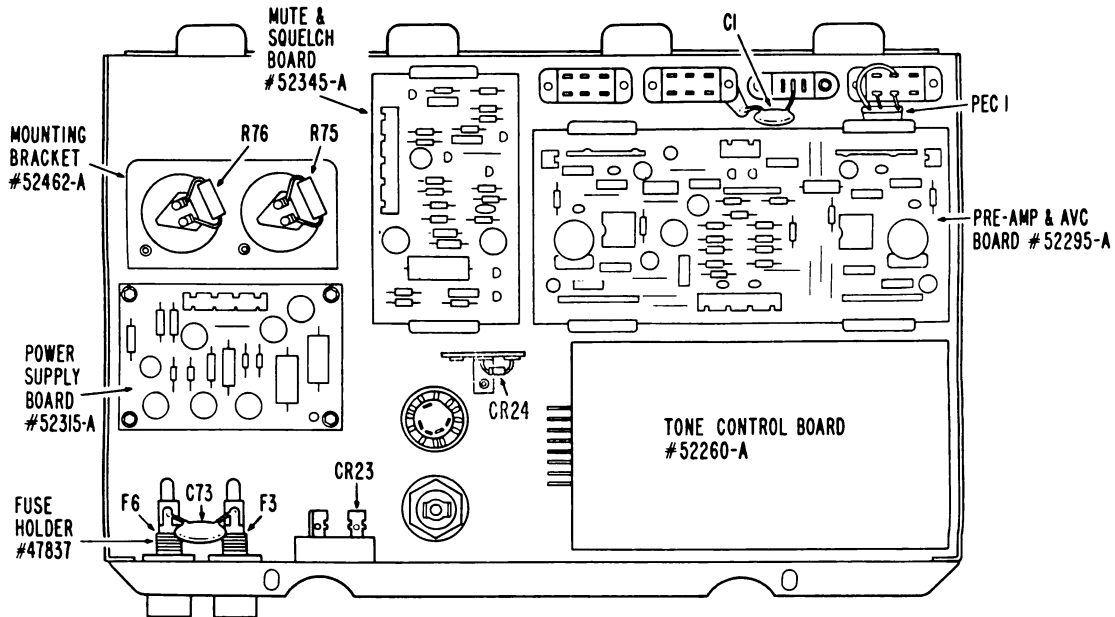
LOCK PLATE #49113

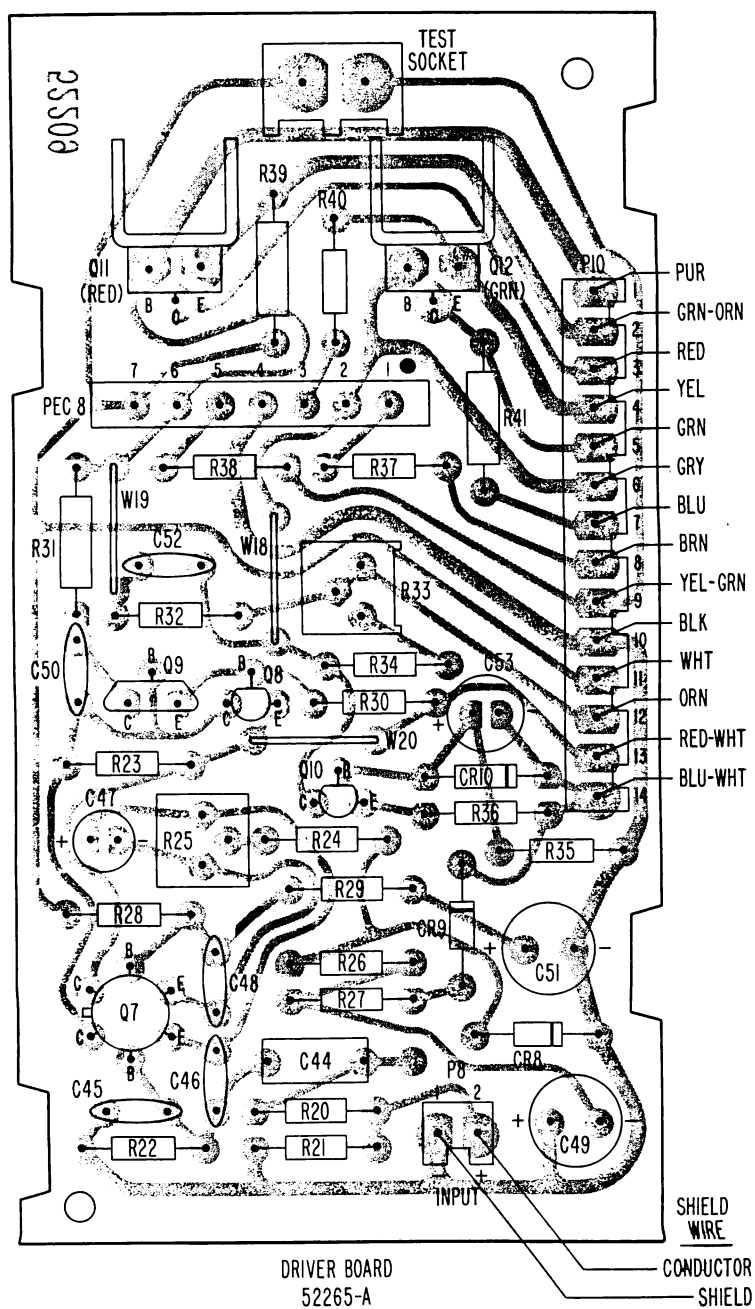
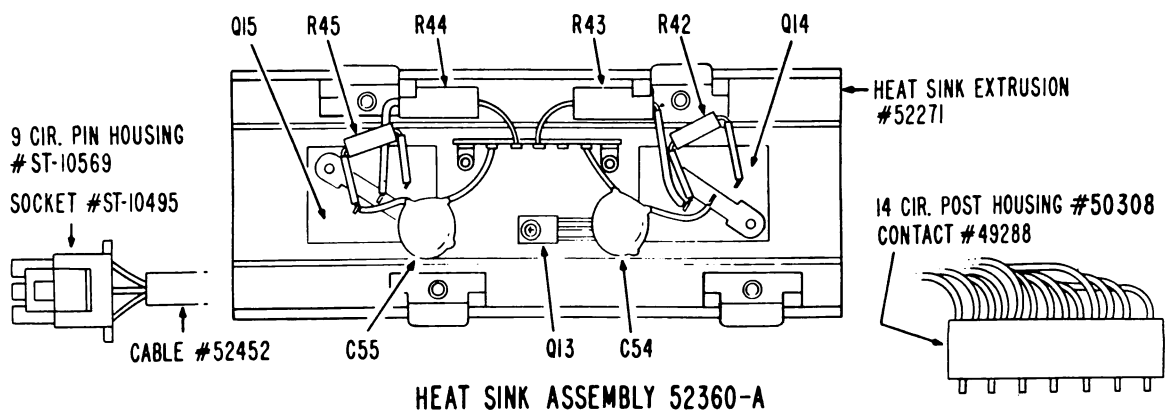
S3

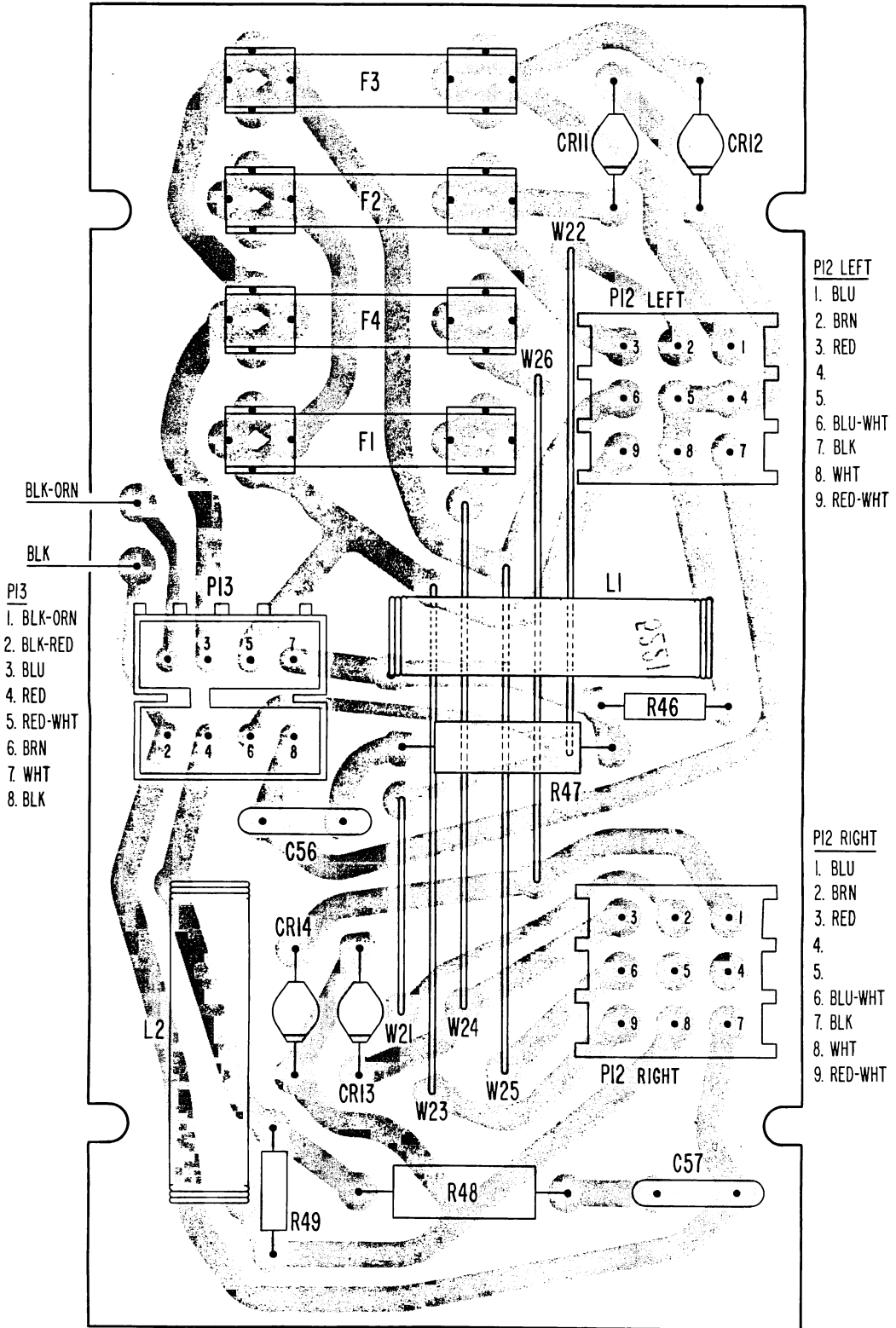
S1

J1

S2





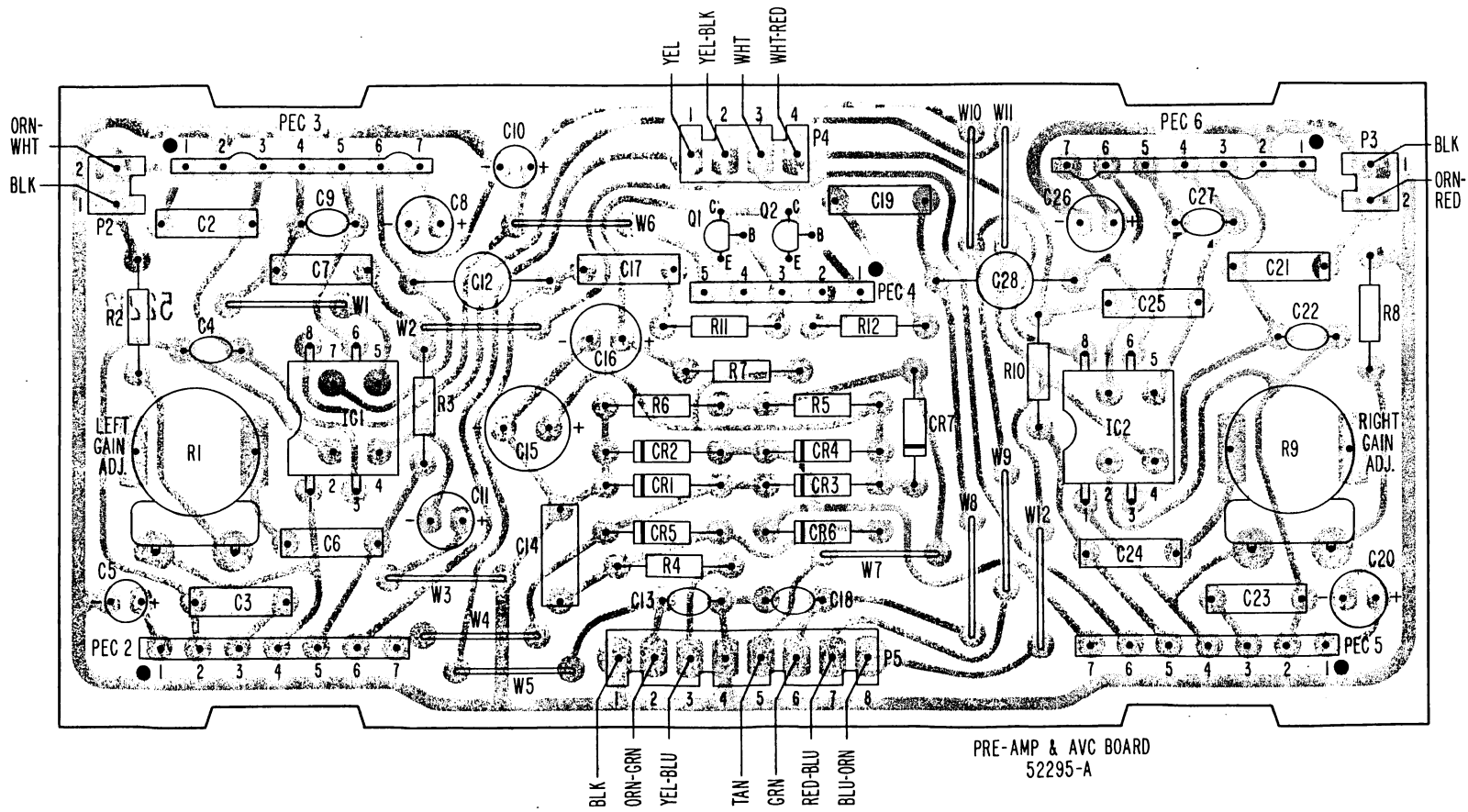


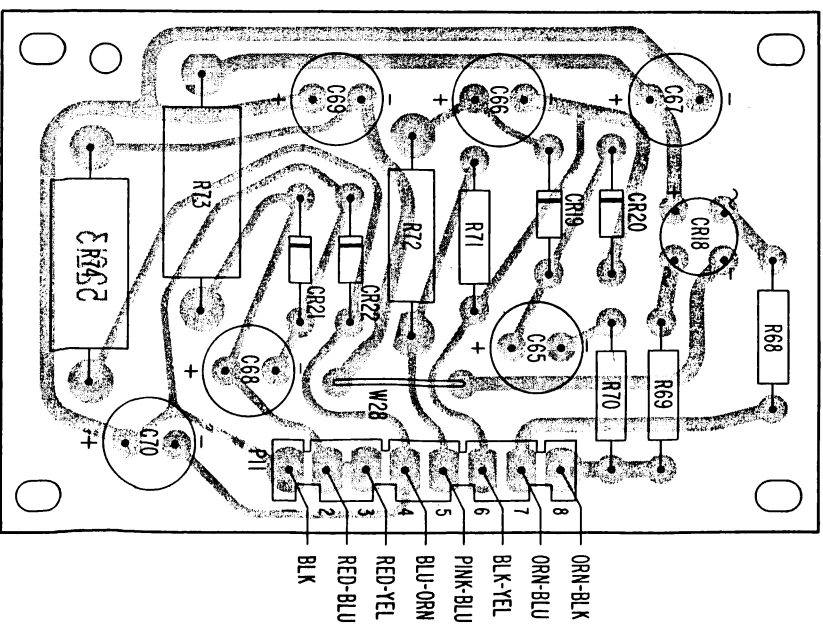
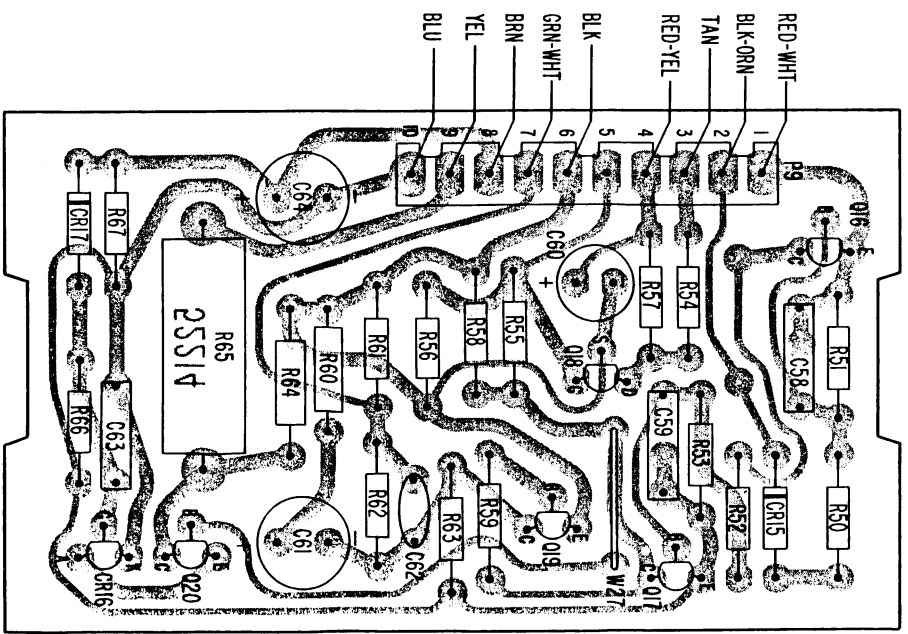
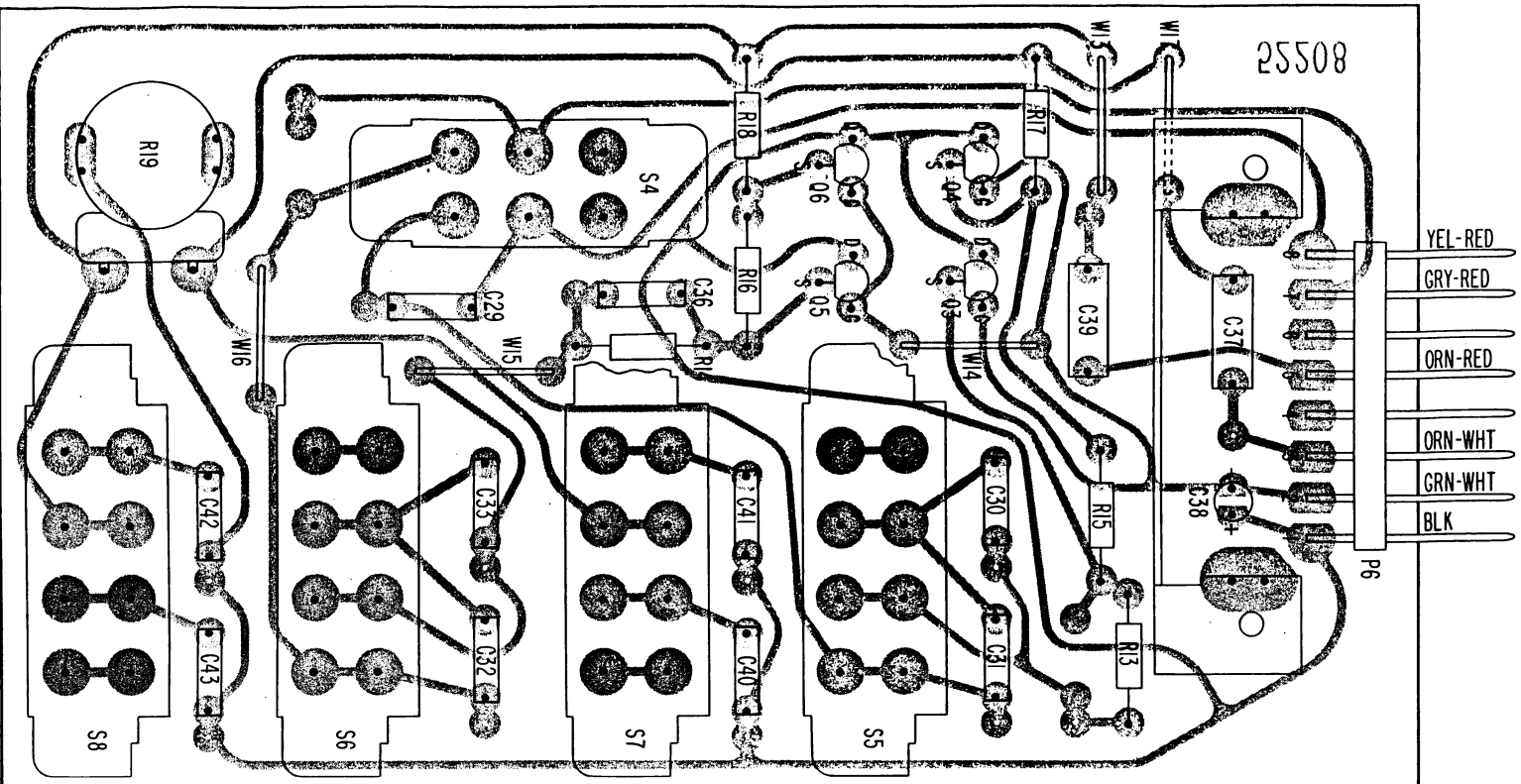
- PI3
1. BLK-ORN
  2. BLK-RED
  3. BLU
  4. RED
  5. RED-WHT
  6. BRN
  7. WHT
  8. BLK

- PI2 LEFT
1. BLU
  2. BRN
  3. RED
  - 4.
  - 5.
  6. BLU-WHT
  7. BLK
  8. WHT
  9. RED-WHT

- PI2 RIGHT
1. BLU
  2. BRN
  3. RED
  - 4.
  - 5.
  6. BLU-WHT
  7. BLK
  8. WHT
  9. RED-WHT

FUSE BOARD  
52275-A







# AMPLIFIER

Item	Part No.	Description	Item	Part No.	Description
<b>CAPACITORS</b>			C71 & C72	52352	3000 MFD -10 + 100% 50V
C1	52393	.05 MFD 20% 100V	C73	45319	.02 MFD 20% 1000V
C2	47421	.1 MFD 20% 250V	<b>RESISTORS</b>		
C3	52354	.012 MFD 5% 250V	R1	49272	1K OHM Min. P.C. Control - Green
C4	45789	150 MMFD 10% 500V	R2	49264	470 OHM 1/4W 5%
C5	50647	4.7 MFD 20% 35V	R3	50643	300K OHM 1/4W 5%
C6 & C7	52799	.47 MFD 5% 100V	R4	49269	27K OHM 1/4W 5%
C8	50646	10 MFD 20% 25V	R5	49266	560K OHM 1/4W 5%
C9	45789	150 MMFD 10% 500V	R6	48042	2.2K OHM 1/4W 10%
C10 & C11	50647	4.7 MFD 20% 35V	R7	49268	33K OHM 1/4W 5%
C12	49146	2.2 MFD 20% 35V	R8	49264	470 OHM 1/4W 5%
C13	33762	470 MMFD 10% 1000V	R9	49272	1K OHM Min. P.C. Control - Green
C14	48941	.22 MFD 20% 100V	R10	50643	300K OHM 1/4W 5%
C15	49271	220 MFD -0 + 100% 10V	R11 & R12	49267	56K OHM 1/4W 5%
C16	50684	22 MFD 20% 35V	R13 & R14	51291	22K OHM 1/4W 5%
C17	47421	.1 MFD 20% 250V	R15 & R16	52358	2.2K OHM 1/4W 5%
C18	33762	470 MMFD 10% 1000V	R17 & R18	51567	3.3K OHM 1/4W 5%
C19	47421	.1 MFD 20% 250V	R19	52366	100K OHM Min. P.C. Control - Blue
C20	50647	4.7 MFD 20% 35V	R20	48042	2.2K OHM 1/4W 10%
C21	47421	.1 MFD 20% 250V	R21	52514	82K OHM 1/4W 10%
C22	45789	150 MMFD 10% 500V	R22	52380	18K OHM 1/4W 5%
C23	52354	.012 MFD 5% 250V	R23	52378	680 OHM 1/4W 5%
C24 & C25	52799	.47 MFD 5% 100V	R24	51568	5.1K OHM 1/4W 5%
C26	50646	10 MFD 20% 25V	R25	52367	50 OHM Trim Control
C27	45789	150 MMFD 10% 500V	R26	48043	4.7K OHM 1/4W 10%
C28	49146	2.2 MFD 20% 35V	R27	53007	47 OHM 1W 10% FP
C29 thru			R28	52380	18K OHM 1/4W 5%
C33	48949	.027 MFD 10% 250V	R29	52513	240 OHM 1/4W 5%
C36	52353	.0047 MFD 10% 250V	R30	52373	10 OHM 1/4W 5%
C37	48951	.47 MFD 20% 100V	R31	53008	100 OHM 1W 5% FP
C38	52359	1 MFD 10% 35V	R32	52379	750 OHM 1/4W 5%
C39	48951	.47 MFD 20% 100V	R33	52368	200 OHM Trim Control
C40	52353	.0047 MFD 10% 250V	R34	52709	360 OHM 1/4W 5%
C41 & C42	52354	.012 MFD 5% 250V	R35	51291	22K OHM 1/4W 5%
C43	52353	.0047 MFD 10% 250V	R36	53039	120 OHM 1W 5% FP
C44	48951	.47 MFD 20% 100V	R37	51571	6.8K OHM 1/4W 5%
C45	33762	470 MMFD 10% 1000V	R38	53008	100 OHM 1W 5% FP
C46	44774	50 MMFD 10% 500V	R39	13182	2.7K OHM 1/2W 10%
C47	50646	10 MFD 20% 25V	R40	53008	100 OHM 1W 5% FP
C48	44774	50 MMFD 10% 500V	R41	13182	2.7K OHM 1/2W 10%
C49	52363	150 MFD 20% 40V	R42	31719	100 OHM 1W 10%
C50	45789	150 MMFD 10% 500V	R43 & R44	52383	0.33 OHM 5W 5%
C51	49278	22 MFD -0 + 100% 75V	R45	31719	100 OHM 1W 10%
C52	52369	.0056 MFD 10% 100V	R46	14234	22 OHM 1/2W 10%
C53	52364	150 MFD 20% 6.3V	R47 & R48	49298	22 OHM 2W 10%
C54 & C55	52382	.1 MFD 20% 100V	R49	14234	22 OHM 1/2W 10%
C56 & C57	52889	.1 MFD 20% 100V	R50	51293	10K OHM 1/4W 5%
C58 & C59	47422	.047 MFD 20% 250V	R51	51564	1K OHM 1/4W 5%
C60	50684	22 MFD 20% 35V	R52	51291	22K OHM 1/4W 5%
C61	52363	150 MFD 20% 40V	R53	51564	1K OHM 1/4W 5%
C62	33762	470 MMFD 10% 1000V	R54	52348	15K OHM 1/4W 5%
C63	47422	.047 MFD 20% 250V	R55	52351	120K OHM 1/4W 5%
C64	52361	47 MFD -10 +50% 50V	R56	52349	39K OHM 1/4W 5%
C65 & C66	49278	22 MFD -0 + 100% 75V			
C67 thru					
C70	52362	100 MFD -10 + 50% 40V			



# AMPLIFIER

Item	Part No.	Description	Item	Part No.	Description
R57	52347	9.1K OHM 1/4W 5%	CR15	51498	Diode 1N4148
R58 & R59	51293	10K OHM 1/4W 5%	CR16	51297	Rectifier 2N5062
R60	52344	330 OHM 1/4W 5%	CR17	48101	Zener 1W 5.6V 5% 1N4734A
R61	52349	39K OHM 1/4W 5%	CR18	52444	1 Amp Bridge Rectifier
R62	50966	100K OHM 1/4W 5%	CR19 &		
R63	51291	22K OHM 1/4W 5%	CR20	46497	Rectifier 100 PRV 1 Amp 1N4002
R64	18660	3.3K OHM 1/2W 5%	CR21 &		
R65	52343	120 OHM 2W 10%	CR22	46617	Zener 1W 15V 5% 1N4744A
R66	51567	3.3K OHM 1/4W 5%	CR23	52394	Bridge Rectifier 25 Amp
R67	50966	100K OHM 1/4W 5%	CR24	49497	Rectifier 100 PRV 1 Amp 1N4002
R68 thru			<b>INTEGRATED AND PACKAGED ELECTRICAL CIRCUITS</b>		
R70	53011	15 OHM 1W 10% F.P	IC1 & IC2	48934	Dual Integrated Circuit
R71	13888	10K OHM 1/2W 10%		49273	IC Socket - 8 Pin
R72	52988	270 OHM 2W 10%	PEC 1	50651	P.E.C. Scratch Filter
R73 & R74	52989	470 OHM 2W 10%	PEC 2	50648	P.E.C. Pre-Amp Circuit A
R75 & R76	47423	1.5K OHM 1W 10%	PEC 3	50649	P.E.C. Pre-Amp Circuit B
	46283	Volume Control 48K OHM 20%	PEC 4	48936	P.E.C. AVC Circuit
<b>TRANSISTORS</b>			PEC 5	50648	P.E.C. Pre-Amp Circuit A
Q1 & Q2	47831	(PNP) MPS-A56	PEC 6	50649	P.E.C. Pre-Amp Circuit B
Q3 thru			PEC 7	44715	P.E.C. Volume Control
Q6	52342	N - Channel Junction Fet	PEC 8	52357	P.E.C. Protection Circuit
Q7	52371	Differential Amplifier	<b>SWITCHES</b>		
Q8	47831	(PNP) MPS-A56	S1 thru		
Q9	52372	1 Watt (PNP)	S3	49302	Slide Switch D.P.D.T.
Q10	49415	(NPN) MPS-A06	S4	49281	PC Slide Switch D.P.D.T.
Q11	48929-2	Power Tab (NPN) Red	S5 thru		
	51631-2	Heat Sink	S8	49280	PC Slide Switch DP3T
	ST-10318	Screw Mach. #4-40 x 5/16	S9	44772	Momentary Push Switch
	ST-9430	Washer, Fiber	<b>MISCELLANEOUS</b>		
	ST-10469	Hex Nut #4-40	F1 thru		
Q12	48932-2	Power Tab (PNP) Green	F4	ST-4333	Fuse 3 Amp 250V Fast Acting
	51631-2	Heat Sink		51984	P.C. Fuse Clip
	ST-10318	Screw Mach. #4-40 x 5/16	F5 & F6	ST-10674	Fuse 5 Amp 125 V Slo-Blo
	ST-9430	Washer, Fiber	J1	44927	3 Pin Socket
	ST-10469	Hex Nut #4-40	J7	18634	6 Prong Min. Socket
Q13	52453	25W (NPN) Special	J14	V-7013	9 Circuit M-N-L Socket Housing
		(Modified Leads - Make from #52397)	J16	ST-10588	4 Circuit Universal M-N-L Socket Hsg.
Q14 & Q15	48931-2	Power (NPN) 2N3055C	L1 & L2	52386	Choke Coil 10 MHY
Q16	47831	(PNP) MPS-A56	P2 & P3	49274	2 Circuit Post Connector
Q17	49415	(NPN) MPS-A06	P4	ST-10574	4 Circuit Post Connector
Q18	52342	N - Channel Junction Fet	P5	49275	8 Circuit Post Connector
Q19	47831	(PNP) MPS-A56	P7	52384	6 Pin Plug & Cable (19'')
Q20	49415	(NPN) MPS-A06	P8	49274	2 Circuit Post Connector
<b>DIODES AND RECTIFIERS</b>			P9	49276	10 Circuit Post Connector
CR1 thru			P10	ST-10577	14 Circuit Post Connector
CR4	49141	A.V.C. Diode	P11	49275	8 Circuit Post Connector
CR5 & CR6	49140	Reference Diode	P12 LEFT &		
CR7	46497	Rectifier 100 PRV 1 Amp 1N4002	RIGHT	ST-10584	9 Circuit Universal Pin Header
CR8	51982	Zener 1W 10V 5% 1N4740A	P13	ST-10576	8 Circuit M-N-L P.C. Board Header
CR9	46497	Rectifier 100 PRV 1 Amp 1N4002	P15	ST-10568	6 Circuit Universal M-N-L Socket Hsg.
CR10	49140	Reference Diode			
CR11 thru					
CR14	47972	Rectifier Glass 200 PRV 1.5A			



## **PARTS ORDERING INFORMATION**

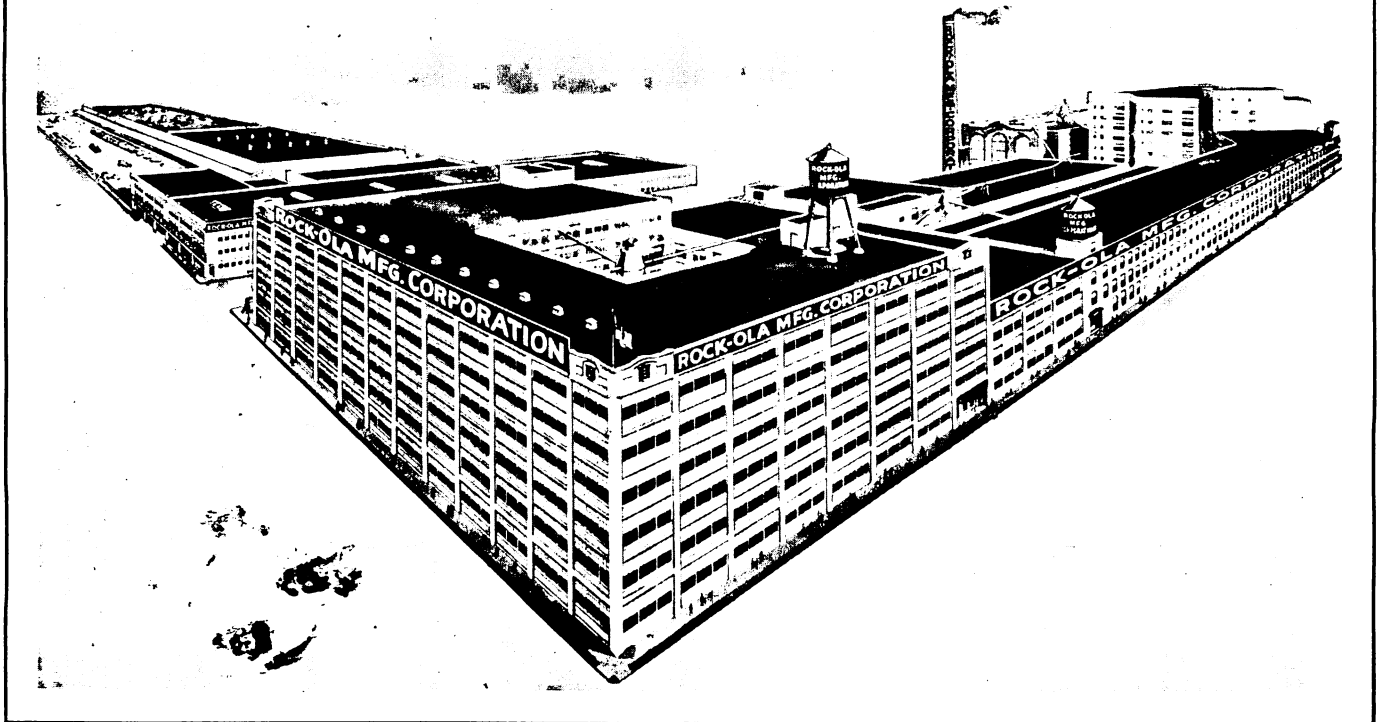
GENUINE ROCK-OLA PARTS ARE AVAILABLE ONLY FROM YOUR AUTHORIZED ROCK-OLA DISTRIBUTOR, WHOSE NAME AND ADDRESS MAY BE OBTAINED BY CONTACTING THE FACTORY SERVICE DEPARTMENT.

WHEN ORDERING ALWAYS INCLUDE: (1) PART NUMBER, (2) DESCRIPTION, (3) QUANTITY, (4) MODEL AND (5) SERIAL NUMBER OF THE PHONOGRAPH FOR WHICH THE PART IS INTENDED. ALL SERVICE ORDERS ORIGINATING OUTSIDE THE CONTINENTAL UNITED STATES AND CANADA SHOULD SPECIFY EXACT VOLTAGE AND HERTZ REQUIREMENTS.

ON OCCASION, ROCK-OLA WILL SUBSTITUTE PARTS IN ORDER TO PROVIDE BETTER SERVICE OR IMPROVED PARTS OF LATER DESIGN. SUBSTITUTIONS ARE NOTED IN THE CURRENT ROCK-OLA PARTS PRICE LIST.

## THE HOME OF QUALITY BUILT PRODUCTS FOR GREATER PROFITS

The Rock-Ola factory in Chicago is the largest factory of its kind in the world devoted to the production of Coin Operated Equipment. It consists of a ground area of three and one-half city blocks with 23 buildings and a floor area of more than one-half million square feet.



**ALWAYS INSIST ON GENUINE ROCK-OLA SERVICE PARTS**

 **ROCK-OLA**<sup>®</sup> *Manufacturing Corporation*

800 N. KEDZIE AVENUE, CHICAGO, ILLINOIS 60651

TELEPHONE: AREA CODE 312 638-7600