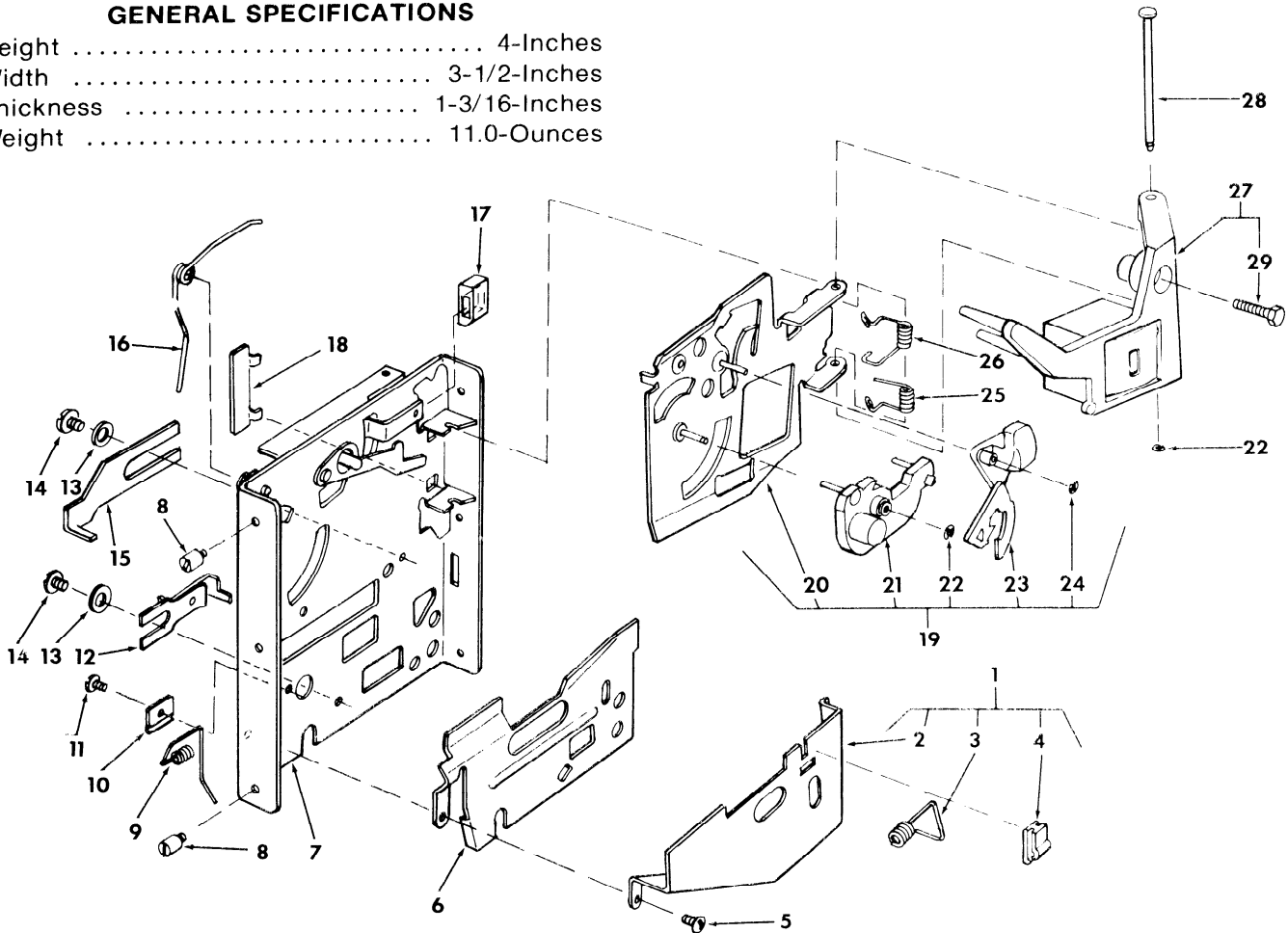




563-20 ACCEPTOR PARTS LIST

GENERAL SPECIFICATIONS

Height 4-Inches
 Width 3-1/2-Inches
 Thickness 1-3/16-Inches
 Weight 11.0-Ounces



Index No.	Part No.	Description	Index No.	Part No.	Description
1	404893	A.P.F. Return Coverplate Assembly	15	905151	Kicker
2	905080	Return Coverplate	16	950069-1	Gate Lever Spring
3	905718	String Breaker Wire	17	902934	Operating Lever Cam
4	905736	String Breaker Wire Bracket	18	905665	Gate Spring Latch
5	100-4-2	Screw	19	404502	Gate and Cradle Assembly
6	905079	Coverplate	20	404501	Gate and Pin Assembly
7	404508	Mainplate Assembly	21	404506	25¢ Cradle Assembly
8	901057	Mounting Stud	22	751S9X	Retaining Ring
9	904150	String Cutter Wire	23	905118	Undersize Lever
10	951056	Washer Catcher Bracket	24	751S6	Retaining Ring
11	110-4-3	Screw	25	901154	Lower Gate Spring
12	405007-3	Separator Assembly	26	901153	Upper Gate Spring
13	950030-1	Washer	27	404504	Magnet Bracket Assembly
14	110-6-2	Screw	28	951055	Gate Pivot Pin
			29	902796	Thickness Control Screw



COIN ACCEPTORS, INC.
 4946 DAGGETT AVE.
 ST. LOUIS, MISSOURI 63110
 800-325-2646
COIN ACCEPTORS, CANADA
 868 PROGRESS AVE.
 SCARBOROUGH (TORONTO), ONTARIO M1H 2X7
 416-438-6314

COINCO PUBLICATION NO. 906219 Rev. 1 3/83
 Printed in U.S.A