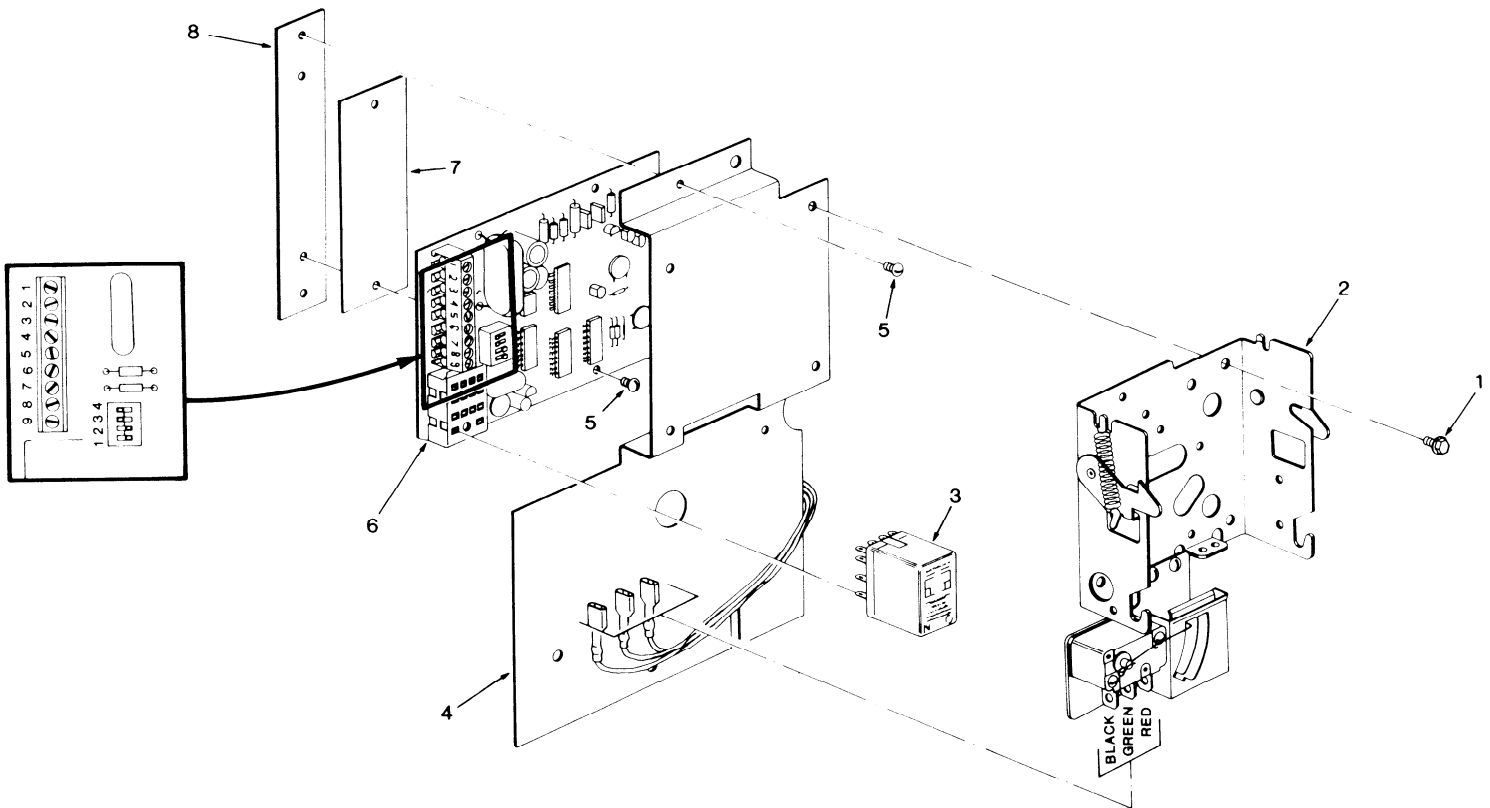


X33TA ELECTRONIC TIMER ACCUMULATOR

- **Electronic circuitry features:**
 - switch control adjustable timing
 - standard 30 sec. - 7½ minute at 30 second increments (higher time available on special order)
 - accumulate from 1 up to 15 coins
- **Circuit designed for 10 amp. 120 V.A.C. service (24 volt AC available on special order)**
- **Terminal block designed for non-terminated wires**
- **Quick release latch for easy coin mech removal**
- **Complete domestic, foreign and token coin mech systems**
- **Available with our new Coin Comparitor . . . Simply the Best!**
- **Optional features include**
 - coin blackout coil
 - counters
- **Designed for use with 3300 Coin Box or can be bought separately**



| DRWG. NO. | PART NO. | DESCRIPTION | QTY. |
|-----------|----------|---------------------------------------|------|
| 1 | 209-8-4 | 8-32 x ¼ Hex Hd. Thread Forming Screw | 2 |
| 2 | 1700-C1 | Channel & Switch Ass'y. | 1 |
| 3 | 3300-56 | Midtex DPDT 120 V.A.C. | 1 |
| 4 | 3300-52 | Mtg. Plate For Circuit Board | 1 |
| 5 | 104-4-4 | 4-40 x ¼ Phillip Pan Hd. Screw | 2 |
| 6 | 3300-55 | Electronic Timer Accumulator | 1 |
| 7 | 3300-54 | Circuit Board Insulator | 1 |
| 8 | 3300-53 | Circuit Board Mtg Brkt | 1 |