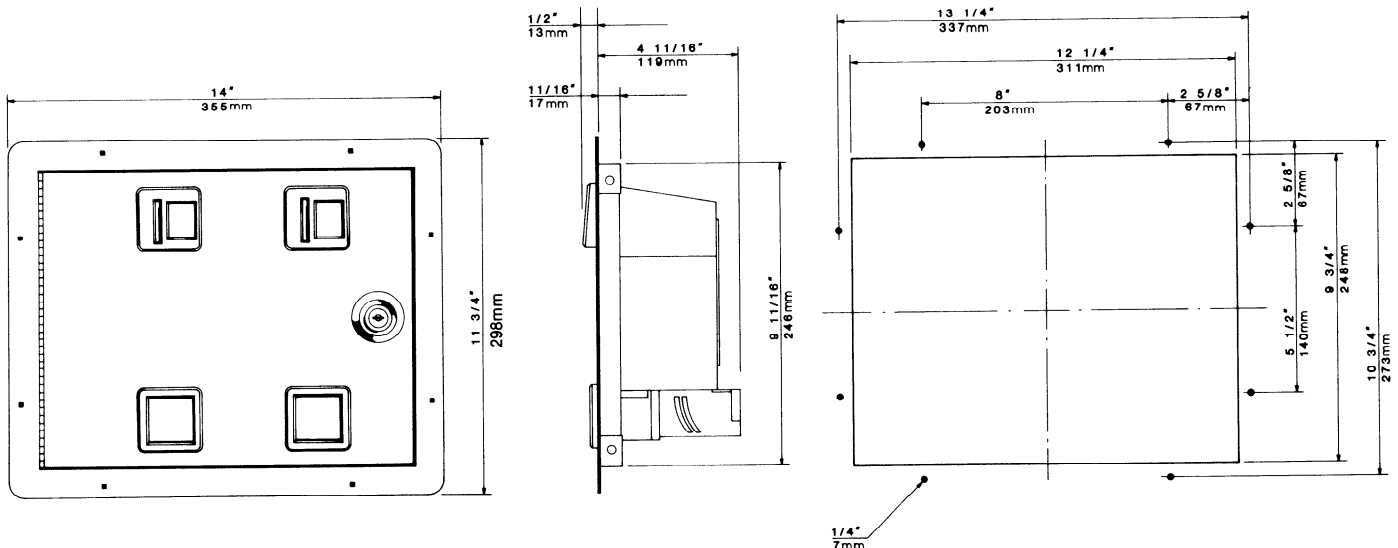
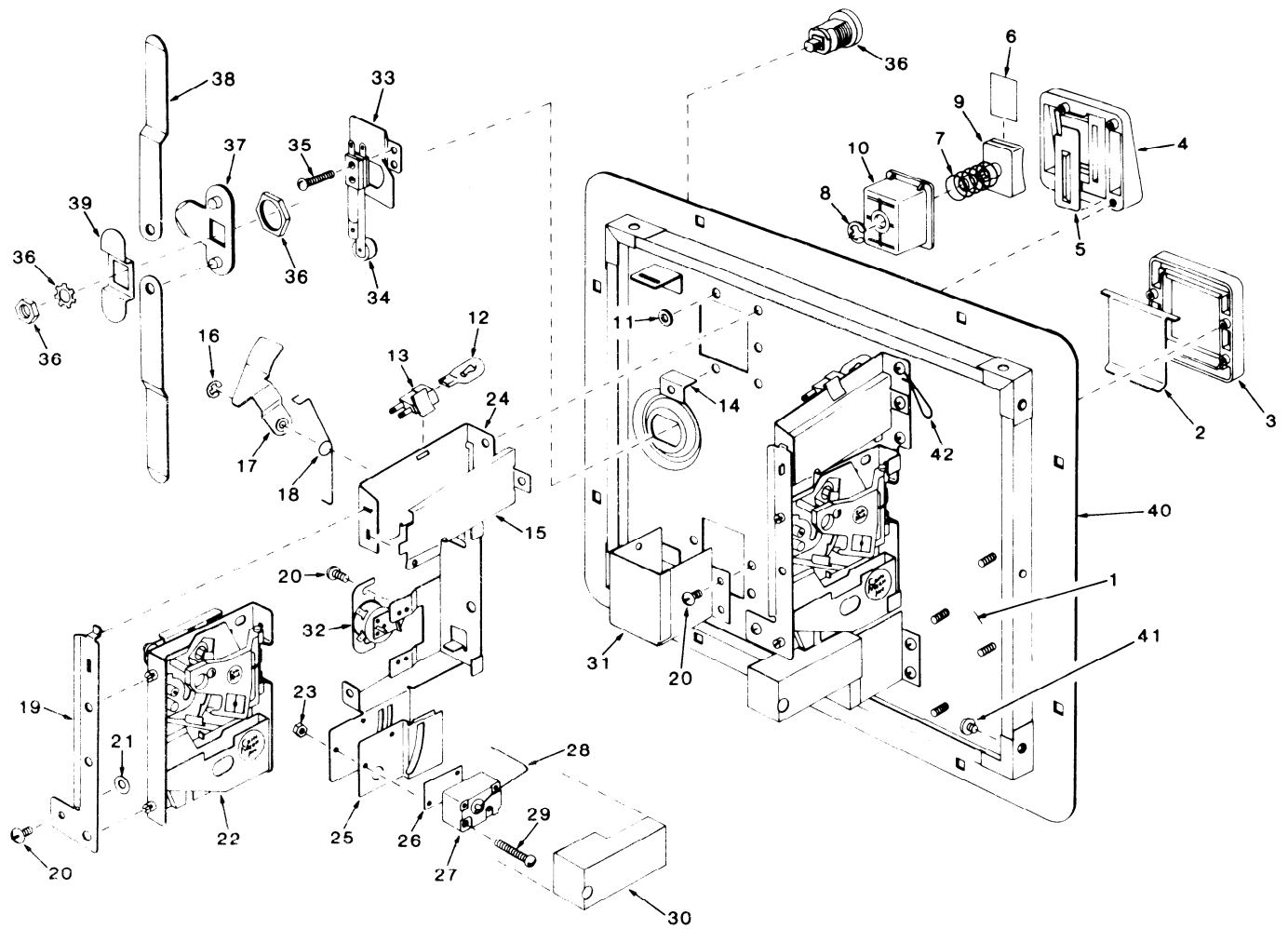


## 8800 LARGE DOOR



- Heavy duty, textured, all steel construction
- One piece frame with reinforced corners
- Embossed lock guard
- Steel coin return door for added switch security
- 3 point locking system
- Illuminated coin denomination reject button
- Complete domestic, foreign and token coin mechanism systems
- Coin block outs available
- Available soon with our new Coin Comparitor . . . Simply the Best





- A-7800-41** Items 6-10 Reject Button Ass'y.  
**7600-146-1** Items 19-21 Mech Retaining Brk't. Ass'y.  
**X8000-30C** Items 12, 13, 15-21 Mtg. Brk't. Sub Ass'y.  
**8800-010** Items 33-35 Slam Switch & Brk't. Ass'y.

| PART NO.    | NAME OF PART                 | QTY. | DRWG. NO. |
|-------------|------------------------------|------|-----------|
| BS-8802-201 | Large Door                   | 1    | 1         |
| BS-8000-12  | Coin Return Cup Door         | 2    | 2         |
| BS-8000-7   | Coin Return Cup Bezel        | 2    | 3         |
| BS-8000-6   | Coin Entry Casting           | 2    | 4         |
| 8000-8      | Coin Insert Plate            | 2    | 5         |
| 7800-6      | Denomination Insert          | 2    | 6         |
| 7800-37     | Rej. Button Return Spring    | 2    | 7         |
| 7300-105    | "C" Washer                   | 2    | 8         |
| A7800-49    | Rej. Button w/Insert Screw   | 2    | 9         |
| A7800-12    | Rej. Button Housing          | 2    | 10        |
| 8000-22     | Washer 3/8 O.D.              | 2    | 11        |
| 8000-24     | 14 V. Wedge Lamp             | 2    | 12        |
| 8000-23     | Wedge Lamp Socket            | 2    | 13        |
| 8000-14     | Housing Retaining Brkt.      | 2    | 14        |
| 8000-9      | Coin Entry Chute             | 2    | 15        |
| 3300-34     | "C" Washer                   | 2    | 16        |
| 8000-21     | Reject Lever Ass'y.          | 2    | 17        |
| 7800-14     | Torsion Spring               | 2    | 18        |
| 7600-141-1  | Mech Retaining Brkt.         | 2    | 19        |
| 216-6-4     | 6-32 x 1/4 Phillips Pan Head | 26   | 20        |
| 606-110-N   | Nylon Washer                 | 2    | 21        |

| PART NO.   | NAME OF PART                     | QTY. | DRWG. NO. |
|------------|----------------------------------|------|-----------|
| C130-1     | 25¢ Mech w/Cutter                | 2    | 22        |
| 404-4      | 4-40 Hex Nut                     | 4    | 23        |
| 8000-10    | Mech Mtg. Bracket "Staked"       | 2    | 24        |
| 8000-18    | Sw. Chute (Small)                | 2    | 25        |
| 7300-134   | Switch Insulator                 | 2    | 26        |
| 7300-100-1 | Blue Switch                      | 2    | 27        |
| 8000-19    | 5¢/25¢ Sw. Wire                  | 2    | 28        |
| 101-4-16   | 4-40 x 1" Rd. Hd. M. Screw       | 4    | 29        |
| 8000-28    | Switch Cover                     | 2    | 30        |
| 8000-13    | Coin Return Cup                  | 2    | 31        |
| 53-        | Crem Coil 9/32 Pin (Optional)    | 2    | 32        |
| 8800-9     | Slam Switch Bracket              | 1    | 33        |
| 7800-42    | Slam Switch w/Feit Dot           | 1    | 34        |
| 100-4-6    | 4-36 x 3/8 Rd. Hd. M. Screw      | 2    | 35        |
| 8800-24    | Dbt. Btd. Lock & Key w/Nuts      | 1    | 36        |
| 7700-25    | Lkg. Cam Ass'y. (.350 x .350)    | 1    | 37        |
| 7700-22-4  | Locking Bar                      | 2    | 38        |
| 7700-23    | Lkg. Bar Ret. Bkt. (.350 x .350) | 1    | 39        |
| BS-8800-5  | Large Frame                      | 1    | 40        |
| 108-6-5A   | 6/32 x 5/32 BHMS                 | 3    | 41        |
| 7800-7     | Key Hook                         | 1    | 42        |