



## Technical Bulletin

# 47x152

### INSTALLATION OF DBA-3/C8000 SERIES CHANGER ADAPTER KITS

Kit 48x800-24    \$ *BILL ONLY*

February 22, 1996

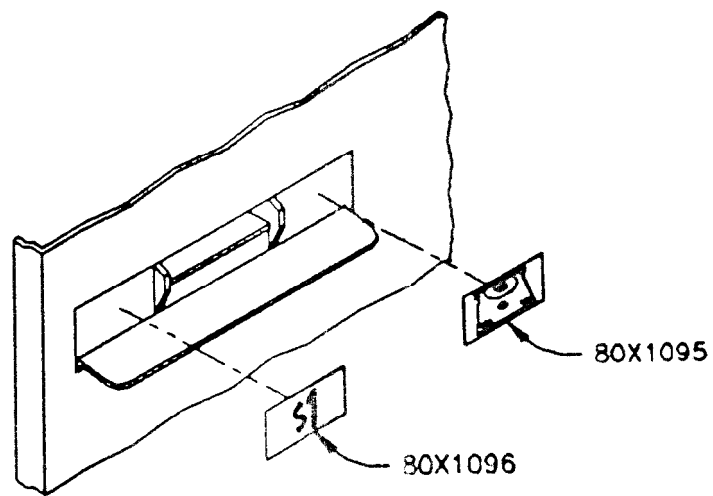
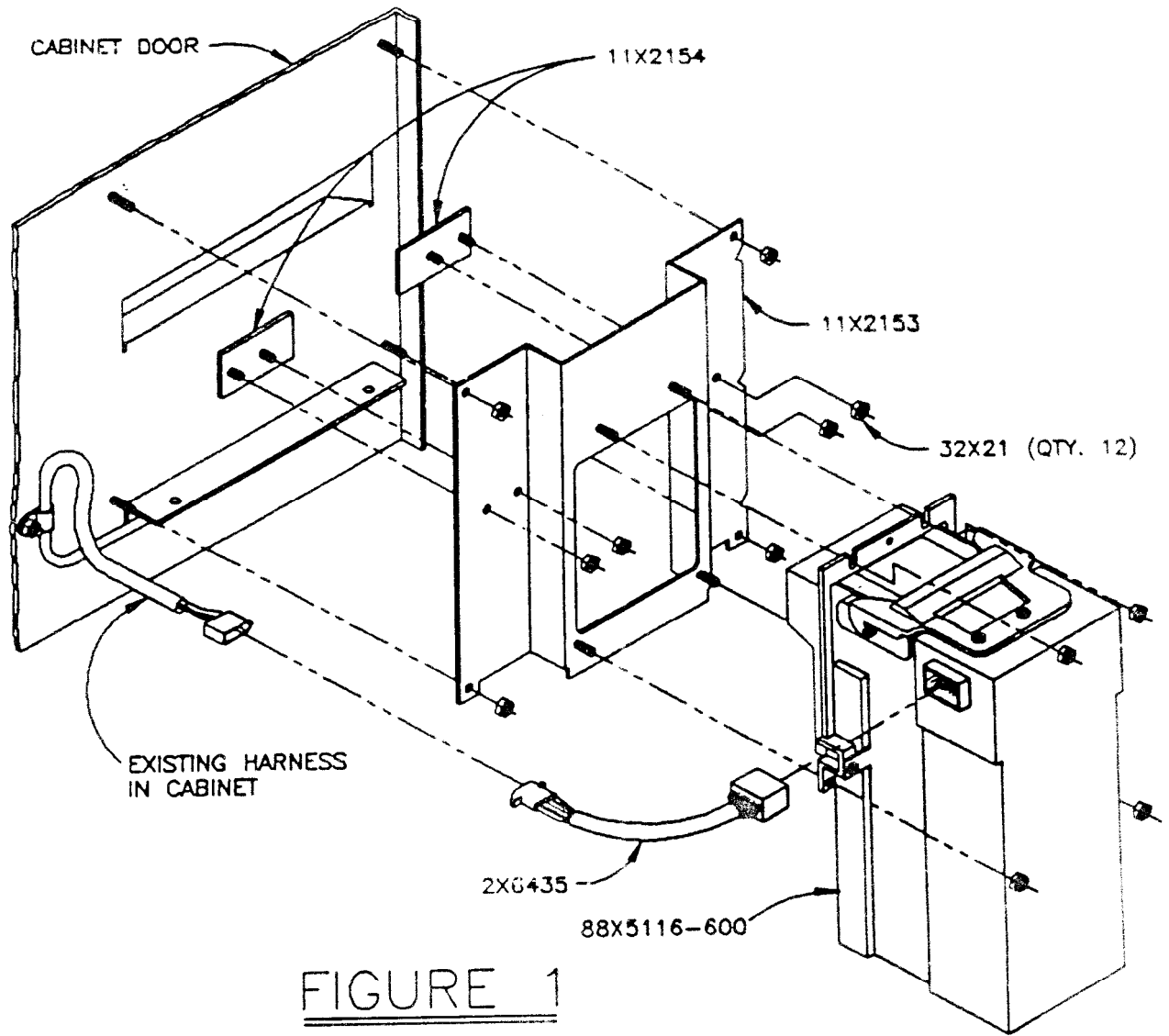
This bulletin describes the installation of a kit designed to convert C-8000 Series Changers from using a tray acceptor to using a DBA-3 down stack bill acceptor. It applies to C-8000, C-8020 and C-8090 changers only.

#### KIT CONTENTS:

(1)	88x5116-600	Bill Acceptor
(1)	2x6435	Adapter Harness
(1)	11x2153	Adapter Channel
(2)	11x2154	Filler Plates
(12)	32x21	#8-32 Keps Nuts
(1)	80x1095	Bill Insert Label
(1)	80x1096	\$1 Label

#### INSTRUCTIONS:

1. To remove tray acceptor
  - > Turn off or unplug changer
  - > Unplug bill acceptor (4-pin Molex)
  - > Remove (4) nuts and (4) acceptor mounting clips
  - > Remove elevator screws which vertically supported the tray acceptor from the angle on the door.
2. To install DBA-3 down stack bill acceptor
  - > Apply # 11x2153 adapter channel to tray acceptor mounting studs on door with (4) # 32x21 nuts (Fig. 1)
  - > Apply (2) # 11x2154 filler plates to adapter channel with (4) # 32x21 nuts. Make sure plates are oriented as shown in Fig. 1.
  - > Apply bill acceptor # 88x5116-600 to adapter channel with (4) #32x21 nuts (Fig. 1). Be sure you have the # 88x5116-600 acceptor as it alone has the necessary modifications for use with C-8000 series changers with 600 bill cash box capacity maximum.



- > Plug black (16) pin connector on # 2x6435 adapter harness into note acceptor and white (4) pin Molex into cabinet harness plug which went into the tray acceptor. (Fig. 1)
- > Apply # 80x1095 bill insert label to right side of acceptor entrance (Fig. 2).
- > Apply # 80x1096 \$1 label to left side of acceptor entrance (Fig. 2).
- > Turn on changer and test with \$1 bills.



34000 Vokes Drive  
Eastlake, Ohio 44095 (216) 946-3000  
440

47X152 REV. 2-22-96  
PAGE 3 OF 3

FAX: 440-946-9829

# Ardac DBA Adapter Kits for Ardac Changers

*It doesn't take a tool-man  
to install an Ardac  
Adapter Kit!*



## **Convert Your \$1 Ardac Changer to a \$1 & \$5 Changer . . . Quick and Easy!**

When you want \$1 & \$5 acceptance, a microprocessor-controlled acceptor, and a contemporary look for your old changer, an Ardac Adapter Kit is the quick and easy answer. It's easy to upgrade an Ardac Changer with an Ardac Adapter Kit. On location or in your shop, a few minutes with a few common hand tools, and you've installed your Ardac Adapter Kit. Each kit includes the hardware you'll need to secure the DBA and adapter bracket to

the original acceptor mounting lugs. The adapter wiring harness makes conversion a snap. Each Ardac Adapter Kit includes:

- **New DBA Note Acceptor**
- **2-Year Acceptor Warranty**
- **5-Year Acceptor Motor Warranty**
- **Sure Fit Adapter Bracket**
- **Simple Adapter Wiring Harness**
- **All Required Mounting Hardware**

*Whether changing a C-Series tray acceptor to a DBA, or upgrading from a \$1 only to a \$1 & \$5 acceptor, Ardac Adapter Kits make a great changer even better.*

**Ardac**  
Incorporated 

Contact your local distributor or call Ardac for information on C-Series Changers, DBA-Series Changers and Ardac Adapter Kits.

34000 Vokes Drive, Eastlake, Ohio 44095  
(216) 946-3000 Fax (216) 942-1835

## **Capital Vending Rolls Out Ardac 'C-8000' Upgrade**

LAUREL, Md. — New from Capital Vending, Inc. is an upgrade kit for Ardac "C-8000" series dollar bill changers. The kit enables operators to replace the old-style tray acceptor with a validator that's said to be more reliable, offer improved security and improve the acceptance rate for valid notes.

The kit is supplied with a mounting plate and an adapter harness, and can be installed without making any modifications to the changer. Versions are available for models "C-8005," "C-8025," "C-8050" and "C-8090."

According to Capital Vending, a typical conversion can be completed in 20 minutes; complete instructions and new decals are included.

Capital Vending offers a variety of kits and accessories. It's headquartered at 13581 Virginia Manor Rd., Laurel, Md. 20707-6515, tel. (301) 419-3189.