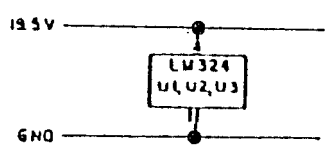
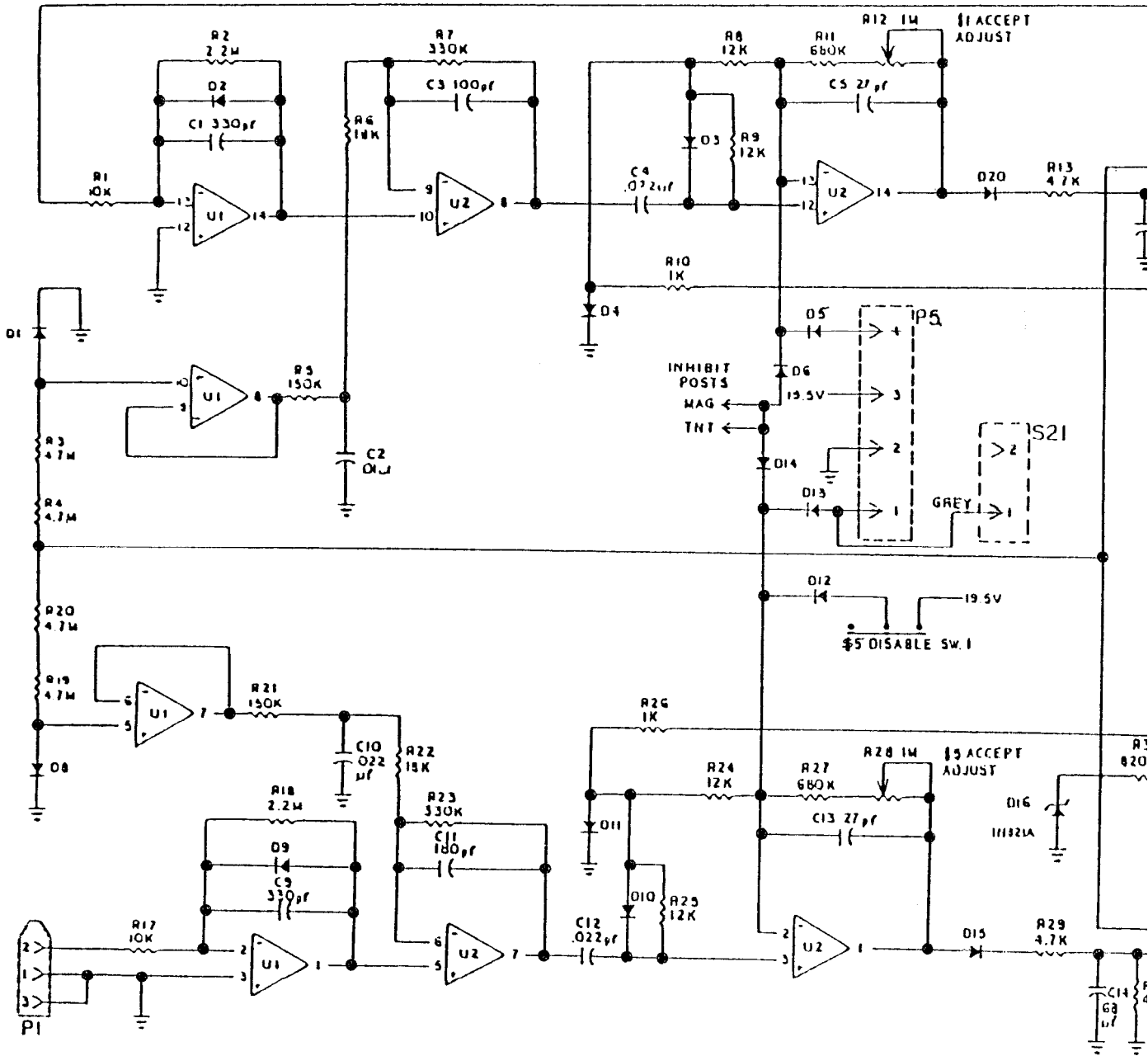


2 x 4297

Schematic

Sensing Module

\$1 & \$5 NOTE A

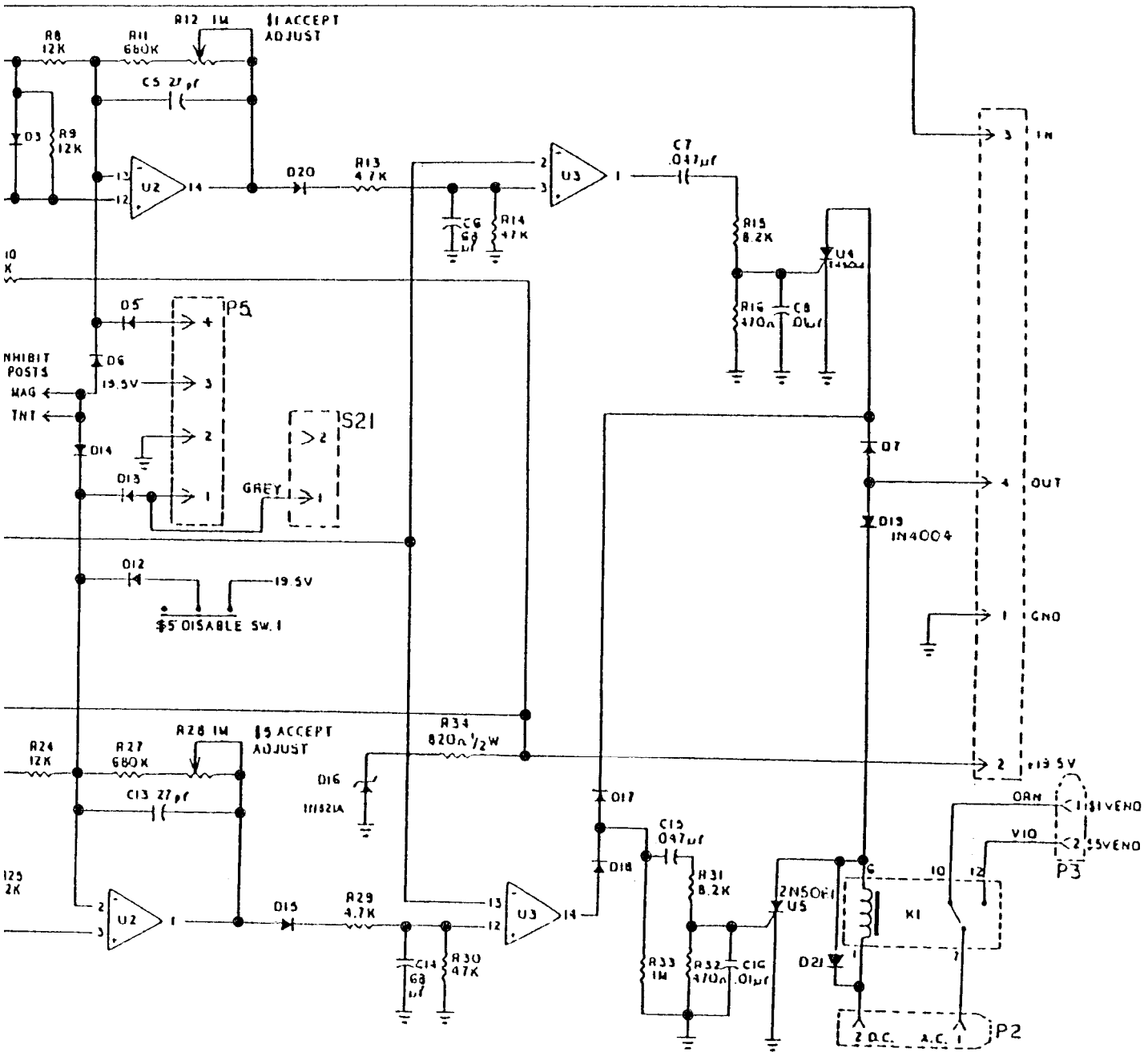


2 x 4 2 9 7

Schematic

Sensing Module

\$1 & \$5 NOTE ACCEPTOR



<u>ITEM NUMBER</u>	<u>PART NUMBER</u>	<u>DESCRIPTION</u>
K1	52x42	Relay
C11	53x72	Capacitor 180 pf
C4, C10, C12	53x19	Capacitor .022 uf
C2, C8, C16	53x21	Capacitor .01 uf
C6, C14	53x39	Capacitor 68 uf tantalum
C1, C9	53x49	Capacitor 330 pf
C7, C15	53x54	Capacitor .047 uf
C5, C13	53x75	Capacitor 27 pf
C3	53x65	Capacitor 100 pf
R34	54x38-821	Resistor 820 ½ W 5%
R12, R28	54x124	Potentiometer 1M
R10, R26	54x159-102	Resistor 1K ¼ W 5%
R1, R17	54x159-103	Resistor 10K ¼ W 5%
R33	54x159-105	Resistor 1M ¼ W 5%
R8, R9, R24, R25	54x159-123	Resistor 12K ¼ W 5%
R6, R22	54x159-183	Resistor 18K ¼ W 5%
R2, R18	54x159-225	Resistor 2.2M ¼ W 5%
R7, R23	54x159-334	Resistor 330K ¼ W 5%
R16, R32	54x159-471	Resistor 470 ¼ W 5%
R13, R29	54x159-472	Resistor 4.7K ¼ W 5%
R14, R30	54x159-473	Resistor 47K ¼ W 5%
R11, R27	54x159-684	Resistor 680K ¼ W 5%
R3, R4, R19, R20	54x159-475	Resistor 4.7M ¼ W 5%
R15, R31	54x159-822	Resistor 8.2K ¼ W 5%
R5, R21	54x159-154	Resistor 150K ¼ W 5%
D7, D12, D13, D14, D19	56x9	Diode, power 1N4004
U4, U5	56x52	SCR 2N5061

D1, D2, D3, D4, D5, D6, D8, D9, D10, D11, D15, D17, D18, D20, D21	56x53	Diode, signal 1N4148
D16	56x77	Diode, Zener 1N821A
U1, U2, U3	56x78	IC LM324
SW1	65x229	Slide Switch