



DRAWING SET



FOR SERVICE...
CALL US:

800-621-1253

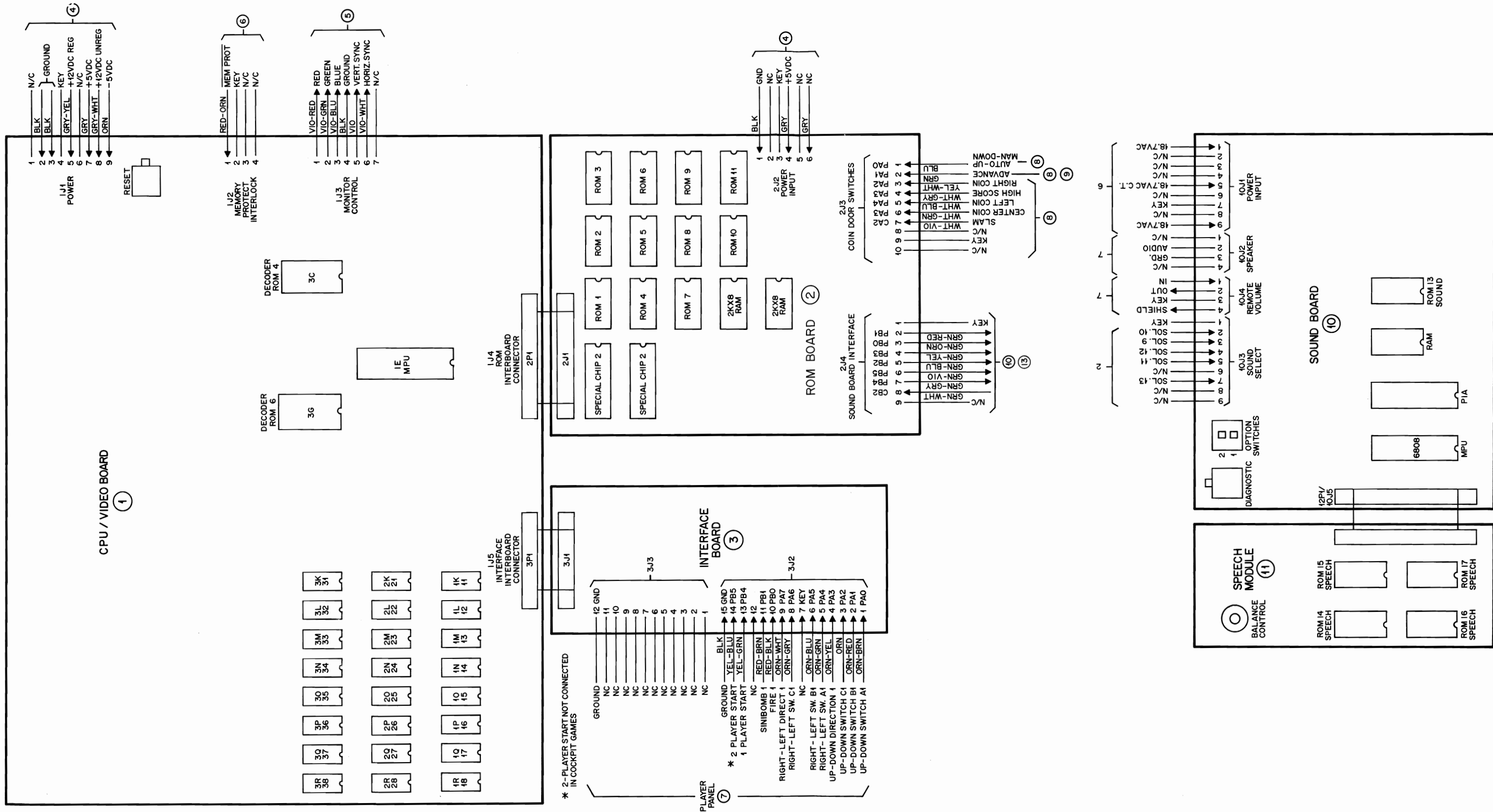
IN ILLINOIS CALL:
800-572-1324

Williams® 
ELECTRONICS, INC.

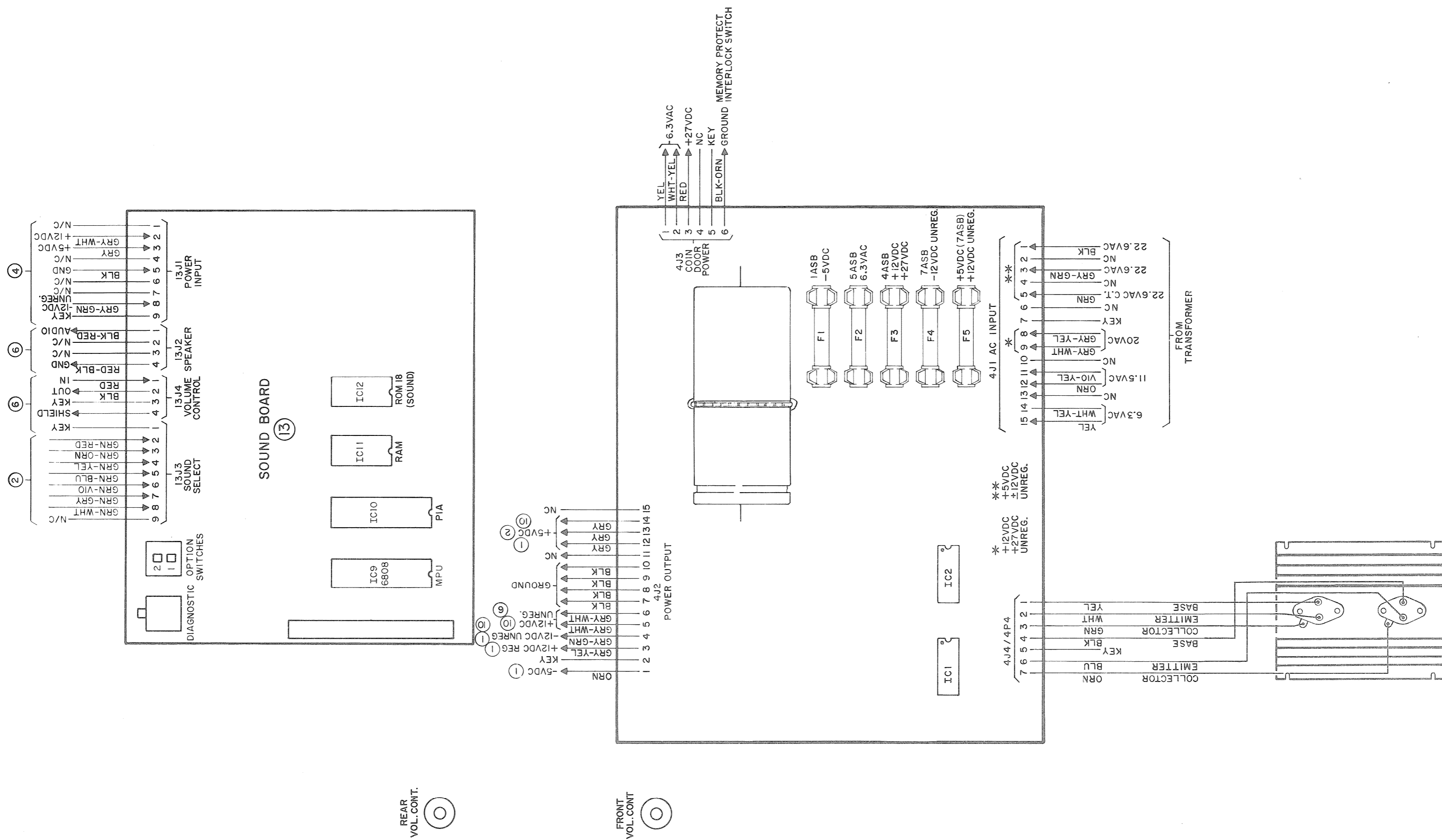
3401 N. California Ave.
Chicago, IL 60618
Cable Address: WILCOIN, CHICAGO
(312) 267-2240

CONTENTS

Interboard Wiring Diagram (upright)	1
Interboard Wiring Diagram (cockpit front)	2
Interboard Wiring Diagram (cockpit back)	3
CPU Board Assembly Drawing	4
CPU Board Logic Diagram (Sheet 1 of 2)	5
CPU Board Logic Diagram (Sheet 2 of 2)	6
Interface Board Assembly and Logic Diagram	7
ROM Board Assembly Drawing	8
ROM Board Logic Diagram	9
Power Supply Board Assembly Drawing	10
Power Supply Board Schematic Diagram	11
Power Wiring Diagram	12
Cabinet Wiring Diagram	13
D8224 Sound Board Assembly Drawing	14
D8224 Sound Board Schematic Drawing	15



Interboard Wiring Diagram (cockpit front)



REAR VOL. CONT. 

FRONT VOL. CONT. 

ITEM NO.	PART NO.	PART DESIGNATION	DESCRIPTION	REQ'D. NO.
74	5791-09497-00	IJ3	7 PIN HEADER 09-65-1071	1
75	5791-09021-00	IJ1	9 PIN HEADER 09-65-1091	1
76	5019-09669-00	SR1	RESISTOR, 1 K OHM 10 PIN SIP	1
77	5010-09534-00	W1, W2, W3	RESISTOR, C.F. 0 OHM 1/4 WATT	3
78	5340-09689-00	IC	5114 1K X 4 CMOS STATIC RAM	1
	5340-09667-00		6514 1K X 4 CMOS STATIC RAM	0
	5281-09489-00		74LS189 16 X 4 RAM	0
	5281-09483-00		7489 16 X 4 RAM	0
	5281-09716-00		74S189 16 X 4 RAM	0
	5281-09715-00		74LS289 16 X 4 RAM	2
	5281-09717-00		74S289 16 X 4 RAM	0
80	5641-09371-00	SW1	PUSH BUTTON SW. 5PST	0
	5641-09312-00		PUSH BUTTON SW. DDPD MOM.	1
81	16-8850-26		LABEL PCB ASSY I.D.	1
82				
83	5019-09786-00	SR2	SIP 4.7KΩ 5R 6 PIN 5% 125 W/R 70°C	1
84	5281-09856-00	1H, 3H, 4H	OCTAL LATCH 74LS373	3
85				
47	5010-09035-00	R64	RESISTOR, C.F. 47 K OHM 5% 1/4 W.	1
48	5551-09882-00	L3	COIL, 4.7 MH, 3A	1
49	5010-09001-00	R2, R21, R24	RESISTOR, C.F. 330 OHM 5% 1/4 W.	3
50	5010-09039-00	R56	RESISTOR, C.F. 10 OHM 5% 1/4 W.	1
51	5043-09491-00	C89, C93	CAPACITOR, AXIAL 22 PFD. 1K V. 10%	2
52	5043-09492-00	C85	CAPACITOR, AXIAL 100 PFD. 50 V. 10%	1
53	5040-09545-00	C84	CAPACITOR, AXIAL 22 MFD. 10 V. ±20%	1
54	5043-09065-00	C94 THRU C97	CAPACITOR, AXIAL 470 PFD. 50 V. XTR 20%	4
55	5043-09099-00	SEE NOTE #3	CAPACITOR, AXIAL 1 MFD. 50 V. ±20%	80
56	5040-09421-00	C81, C82, C83	CAPACITOR, RADIAL 100 MFD. 25 V. ±50-10%	3
57	5075-09059-00	ZR2	1N5990A 3.9 V. ZENER DIODE	1
58	5075-09018-00	ZR1	1N5996A 6.8 V. ZENER DIODE	1
59	5070-08919-00	D1, D2, D3, D4, D5, D6, D7, D8	1N4148 DIODE, SILICON	8
60	5070-09266-00	D9	1N5817 DIODE, SILICON	1
61	5160-08938-00	Q5, Q6, Q7, Q8, Q9, Q10, Q11, Q15	2N4401, TO-92 TRANSISTOR, NPN	8
62	5190-09016-00	Q1, Q2, Q3, Q4, Q12	2N4403, TO-92 TRANSISTOR, PNP	5
63	5520-09495-00	CR1	12 MHZ CRYSTAL	1
64	5043-09845-00	C98-C105	CAPACITOR, AXIAL 100 PFD 50V ±20%	8
65	5880-09022-00	B1, B2, B3	BATTERY ALKALINE 1.5 V. (AA)	3
66	5881-09021-00		BATTERY HOLDER #171	1
67	5700-09678-00		16-PIN IC SOCKET	0
68	5700-09006-00		16-PIN IC SOCKET	24
69	5700-09004-00		24-PIN IC SOCKET	2
70	5700-08985-00		40-PIN IC SOCKET	1
71	5791-09437-00	IJ5	20 PIN RIBBON CABLE HEADER	1
72	5791-09349-00	IJ4	40 PIN RIBBON CABLE HEADER	1
73	5791-09028-00	IJ2	4 PIN HEADER 09-65-1041	1

NOTES:

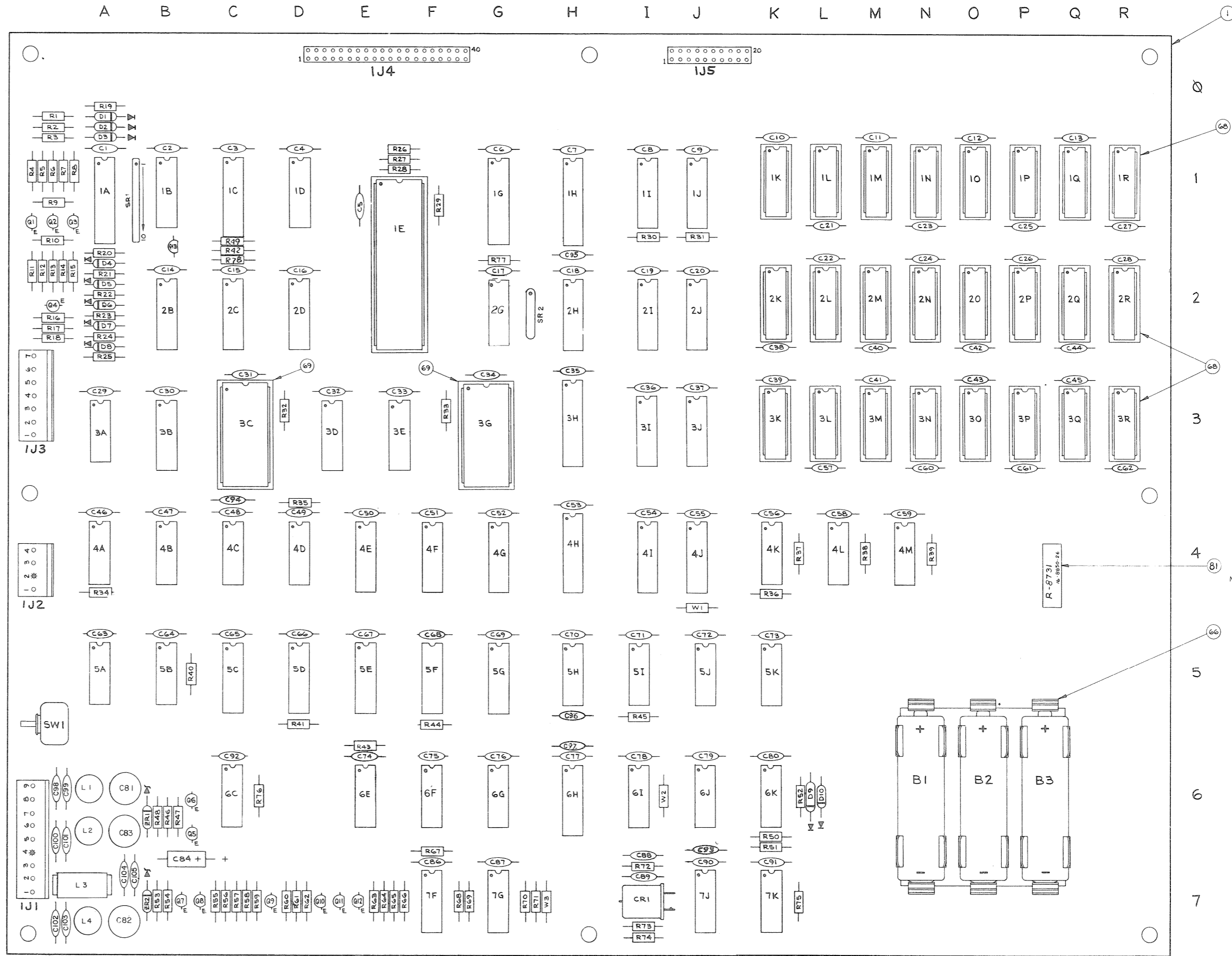
1. 411G: 1K, 1L, 1M, 1N, 1O, 1P, 1Q, 1R, 2K, 2L, 2M, 2N, 2O, 2P, 2Q, 2R, 3K, 3L, 3M, 3N, 3O, 3P, 3Q, 3R

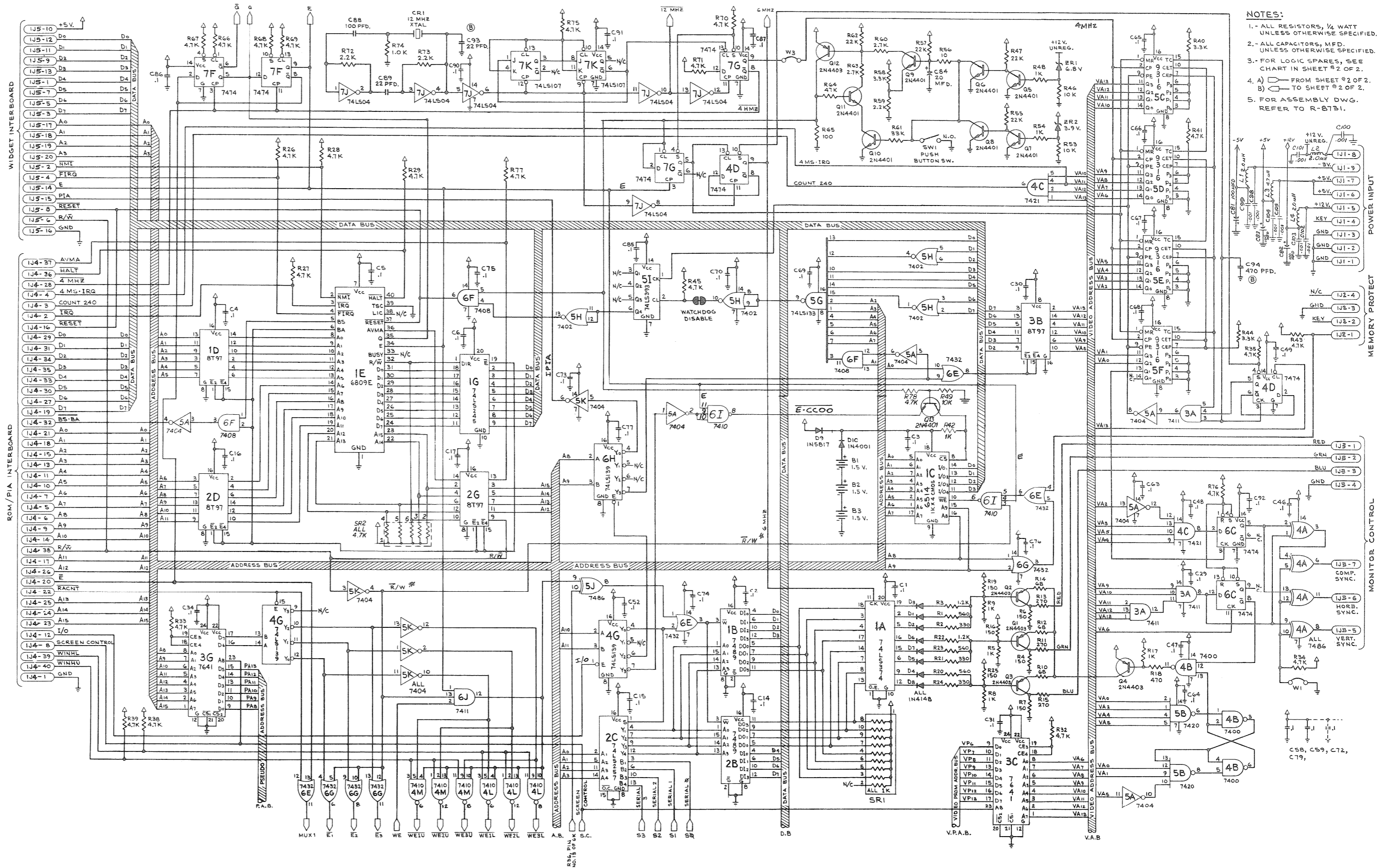
2. 4.7K Ω RESISTOR: R26, R27, R28, R29, R32, R33, R35, R36, R37, R38, R39, R41, R43, R45, R50, R51, R52, R66, R67, R68, R69, R70, R71, R75, R84, R76, R77, R78

3. 1 MFD. CAPACITORS: C1, C2, C3, C4, C5, C6, C7, C8, C9, C10, C11, C12, C13, C14, C15, C16, C17, C18, C19, C20, C21, C22, C23, C24, C25, C26, C27, C28, C29, C30, C31, C32, C33, C34, C35, C36, C37, C38, C39, C40, C41, C42, C43, C44, C45, C46, C47, C48, C49, C50, C51, C52, C53, C54, C55, C56, C57, C58, C59, C60, C61, C62, C63, C64, C65, C66, C67, C68, C69, C70, C71, C72, C73, C74, C75, C76, C77, C78, C79, C80, C86, C87, C90, C91, C92

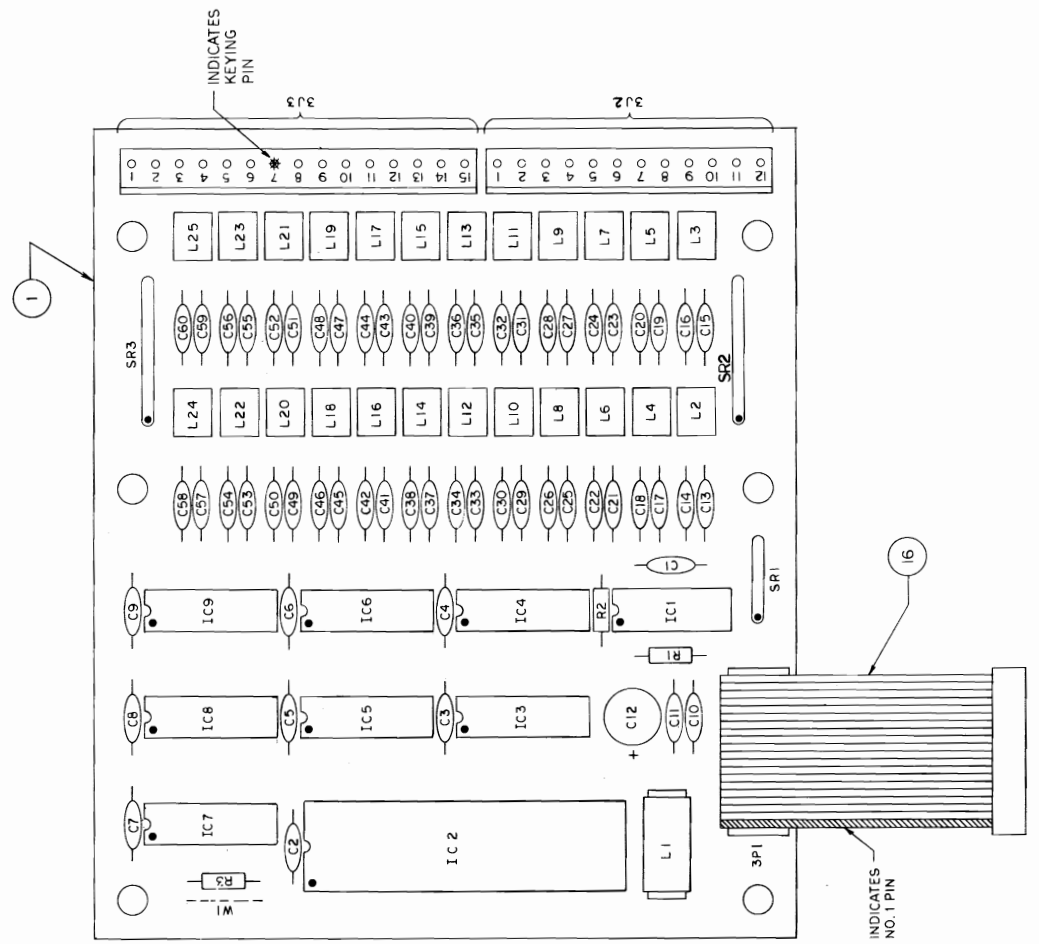
4. FOR SCHEMATIC REFER TO 16-8809

BILL OF MATERIAL				
ITEM NO.	PART NO.	PART DESIGNATION	DESCRIPTION	REQ'D. NO.
1	5170-09656-00		BARE P.C. BOARD REV. D	1
2	5280-09073-00	4B	7400 QUAD 2-INPUT NAND	1
3	5280-08948-00	5H	7402 QUAD 2-INPUT NOR	1
4	5281-09215-00	7J	74LS04 HEX. INVERTER	1
5	5280-09013-00	5A, 5K	7404 HEX. INVERTER	2
6	5280-08973-00	6F	7408 QUAD AND	1
7	5280-09011-00	4L, 4M, 6I	7410 TRIPLE 3-INPUT NAND	3
8	5280-09475-00	3A, 6J	7411 TRIPLE 3-INPUT AND	2
9	5280-09530-00	5B	7420 DUAL 4-INPUT NAND	1
10	5280-09476-00	4C	7421 DUAL 4-INPUT AND	1
11	5280-09477-00	6E, 6G	7432 QUAD 2-INPUT OR	2
12	5280-09478-00	4D, 4K, 6K, 6C, 7F, 7G	7474 DUAL D-TYPE FLIP-FLOP	6
13	5280-09479-00	4A, 5J	7486 QUAD 2-INPUT EX-OR	2
14	5281-09480-00	7K	74LS107 DUAL J-K FLIP-FLOP	1
15	5281-09532-00	5G	74LS133 13-INPUT NAND	1
16	5281-09246-00	4G, 6H	74LS139 DUAL 2 to 4 LINE DECODER	2
17	5280-09481-00	3D, 3E, 4E, 4F	74153 DUAL 4 to 1 DATA INVERT.	4
18	5280-09668-00	1I, 1J, 2I, 2J, 3I, 3J, 4I, 4J	74166 8-BIT SHIFT REGISTER	8
19				
20	5281-09308-00	1G	74LS245 OCTAL BUS TRANSCEIVER	1
21	5281-09485-00	2C, 2H	74LS257 QUAD DATA MULPX.	2
22	5370-08989-00	1D, 2D, 2G, 3B	8T97 HEX. TS BUFFER	0
	5281-09385-00		74LS367 HEX BUS DRIVER	4
23	5281-09486-00	1A,	74LS374 OCTAL D-TYPE FLIP-FLOP	1
24	A-5342-09281	3C	UNIVERSAL VERT. DECODER ROM 6	1
25	A-5342-09294	3G	UNIVERSAL HORIZ. DECODER ROM 4	1
26	5551-09898-00	L1, L2, L4	COIL, 20 MH, .5A	3
27	5281-09533-00	5I	74LS393 DUAL 4-BIT BIN. COUNTER	1
28	5340-09488-00	SEE NOTE #1	411G (450 ns ACCESS) 16K X 1 DYNAMIC RAM	24
29	5070-06258-00	D10	1N4001 DIODE	1
30	5280-09489-00	5C, 5D, 5E, 5F	9316 4-BIT BIN. COUNTER	4
31	5400-09490-00	1E	6809E MICROPROCESSOR	1
32	5010-09548-00	R10, R12, R14	RESISTOR, C.F. 68 OHM 2% 1/4 W.	3
33	5010-09036-00	R65	RESISTOR, C.F. 100 OHM 5% 1/4 W.	1
34	5010-09187-00	R4, R6, R7, R16, R19, R25	RESISTOR, C.F. 150 OHM 5% 1/4 W.	6
35	5010-09508-00	R11, R13, R15	RESISTOR, C.F. 270 OHM 2% 1/4 W.	3
36	5010-09416-00	R18	RESISTOR, C.F. 470 OHM 5% 1/4 W.	1
37	5010-08992-00	R1, R20, R23	RESISTOR, C.F. 560 OHM 5% 1/4 W.	3
38	5010-09358-00	R42, R59, R77, R48, R54, R74	RESISTOR, C.F. 1 K OHM 5% 1/4 W.	8
39	5010-09314-00	R3, R22	RESISTOR, C.F. 1.2 K OHM 5% 1/4 W.	2
40	5010-08998-00	R59, R72, R73	RESISTOR, C.F. 2.2 K OHM 5% 1/4 W.	3
41	5010-08997-00	R60, R63	RESISTOR, C.F. 2.7 K OHM 5% 1/4 W.	2
42	5010-08983-00	R30, R31, R40, R44, R58	RESISTOR, C.F. 3.3 K OHM 5% 1/4 W.	5
43	5010-08991-00	SEE NOTE #2	RESISTOR, C.F. 4.7 K OHM 5% 1/4 W.	1
44	5010-09034-00	R49, R46, R53	RESISTOR, C.F. 10 K OHM 5% 1/4 W.	3
45	5010-08774-00	R47, R55, R57, R62	RESISTOR, C.F. 22 K OHM 5% 1/4 W.	4
46	5010-09113-00	R61	RESISTOR, C.F. 33 K OHM 5% 1/4 W.	1



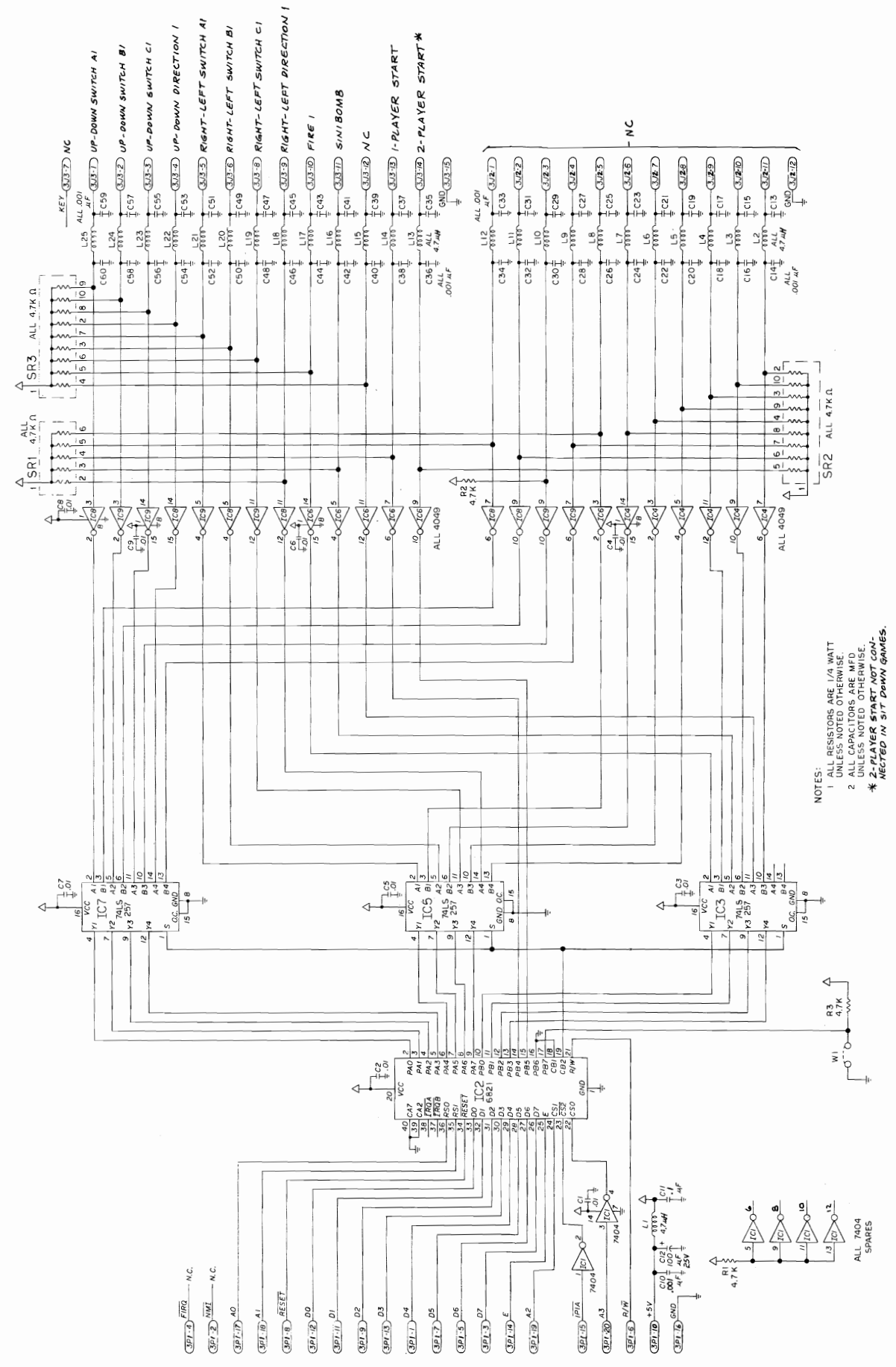


- NOTES:
1. - ALL RESISTORS, 1/4 WATT UNLESS OTHERWISE SPECIFIED.
 2. - ALL CAPACITORS, MFD. UNLESS OTHERWISE SPECIFIED.
 3. - FOR LOGIC SYMBOLS, SEE CHART IN SHEET #2 OF 2.
 4. A) FROM SHEET #2 OF 2. B) TO SHEET #2 OF 2.
 5. FOR ASSEMBLY DWG. REFER TO R-8731.



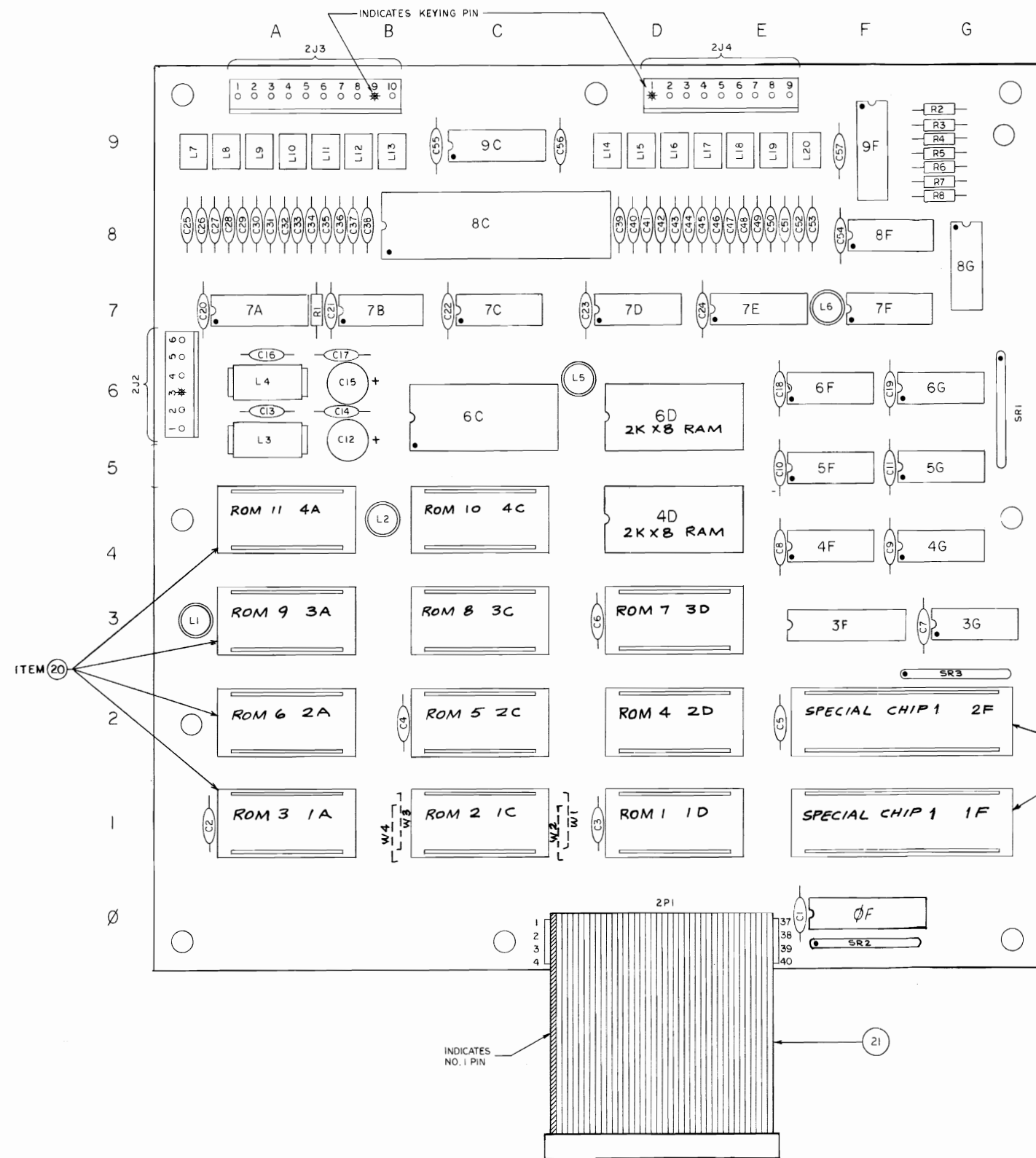
BILL OF MATERIAL

ITEM NO.	PART NO.	PART DESIGNATION	DESCRIPTION	NO. REQ'D
1	5712-09869-00		BARE P.C. BOARD	1
2	5250-09013-00	IC1	I.C., 7404 HEX INVERTER	1
3	5430-08972-00	IC2	I.C., MC6821 PIA	1
4	5281-09465-00	IC3, IC5, IC7	I.C., 74LS257	3
5	5310-08975-00	IC4, IC6, IC8, IC9	I.C., 4049 INV. HEX BUFFER	4
6	5010-08991-00	R1, R2, R3	RESISTOR, 4.7KΩ 1/4W 5%	3
7	5019-09786-00	SRI	SIP 4.7KΩ 5R 6-PIN 5% .125 W/R @ 70°C	1
8	5019-09362-00	SR2, SR3	SIP 4.7KΩ 9R 10-PIN 5% .125 W/R @ 70°C	2
9	5043-09645-00	C10, C13 THRU C60	CAP. AXIAL, 1000 pF, 50V	49
10	5043-08996-00	C11	CAPACITOR, AXIAL .1 μF 50V ± 20%	1
11	5040-09421-00	C12	CAPACITOR, RADIAL 100 μF 25V + 50 - 10%	1
12	5551-09822-00	L1	COIL, 47 μH 3A	1
13	5551-09825-00	L2 THRU L25	COIL, 4.7 μH 30 mA	24
14	5791-09043-00	3JZ	HEADER 12-PIN, 09-65-1121	1
15	5791-09074-00	3J3	HEADER 15-PIN, 09-65-1151	1
16	5795-09540-00	3P1	20 PIN RIBBON CABLE ASSY.	1
17	5043-08980-00	C1 THRU C9	CAP. AXIAL, CERAMIC, .01 MFD. 50V + 80 - 20%	9
18	5010-09534-00	W1	RESISTOR, C.F. 0Ω	0



NOTES:
 1 ALL RESISTORS ARE 1/4 WATT UNLESS NOTED OTHERWISE
 2 ALL CAPACITORS ARE MFD UNLESS NOTED OTHERWISE
 * 2-PLAYER START NOT CONNECTED IN 5/1 DOWN GAMES.

C-8783 Interface Board Assembly and Logic Diagram



GAME NAME	SINISTAR
ASSEM NO.	D-9179-3004
ID	A-5343-10128-A/B
IC	A-5343-10129-A/B
1A	A-5343-10130-A/B
2D	A-5343-10131-A/B
2C	A-5343-10132-A/B
2A	A-5343-10133-A/B
3D	A-5343-10134-A/B
3C	A-5343-10135-A/B
3A	A-5343-10136-A/B
4C	A-5343-10137-A/B
4A	A-5343-10138-A/B

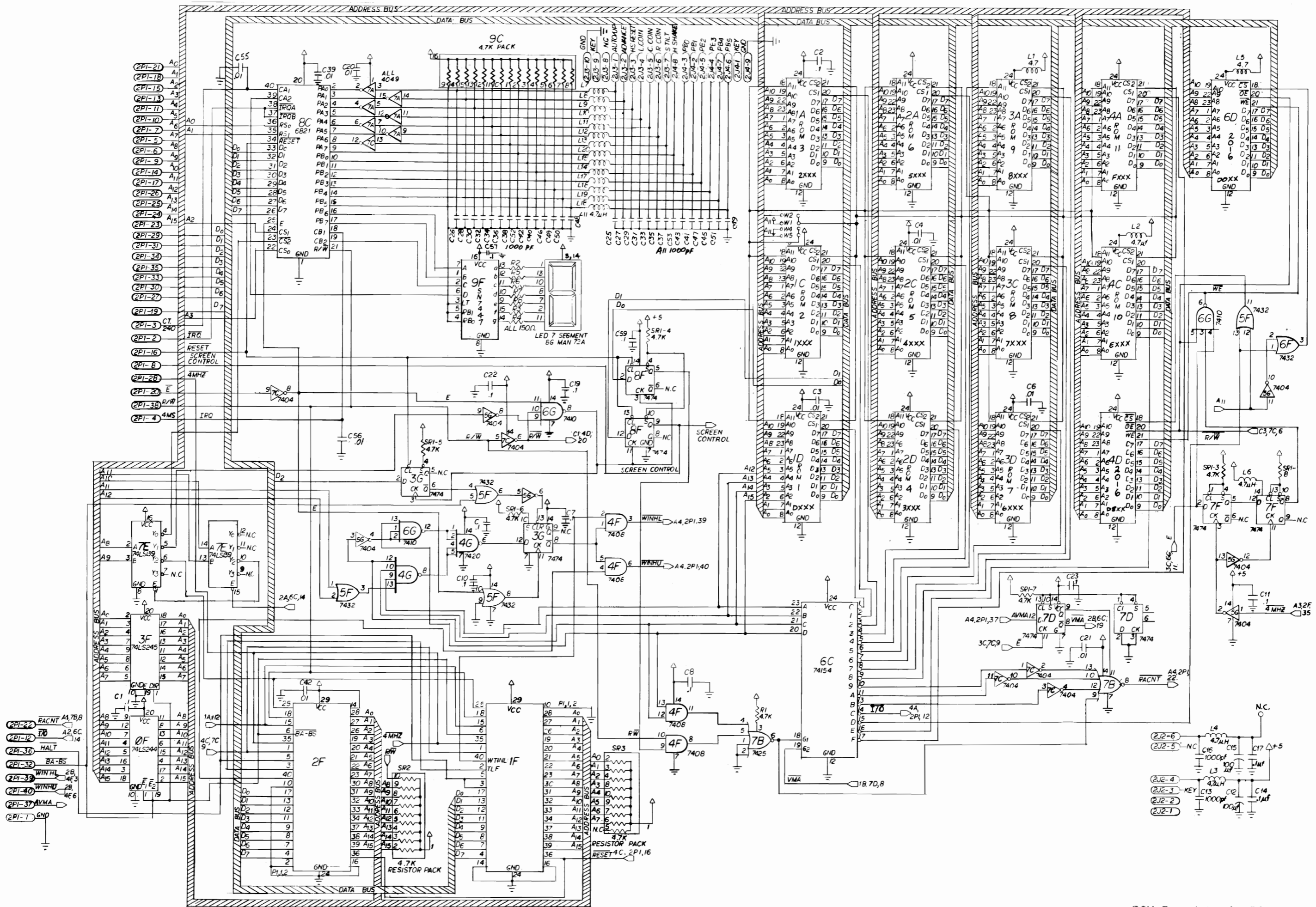
NOTE:
FOR TYPE "A" ROMS (2532) USE W-2,
W-4. FOR TYPE "B" ROMS (2732) USE
W-1, W-3.

D-9176 BILL OF MATERIALS

ITEM NO.	PART NO.	PART DESIGNATION	DESCRIPTION	NO. REQ'D
1	5771-09859-00		BARE P.C. BOARD	1
2	5280-09407-00	9F	7447BCD TO 7 SEG LED DISPLAY	1
3	5280-09478-00	3G,7D,7F,8F	7474 DUAL-D TYPE FLIP-FLOP	4
4	5281-09246-00	7E	74LS139 DUAL 2 TO 4 LINE DECODER	1
5	5280-09530-00	4G	7420 DUAL 4-INPUT NAND	1
6	5280-09011-00	6G	7410 TRIPLE 3 INPUT NAND	1
7	5280-09013-00	5G,7C	7404 HEX INVERTERS	1
8	5280-09551-00	7B	DUAL 4 INPUT 7425 NOR GATE WITH	1
9	5280-09010-00	6C	74154 4 TO 16 LINE DEC./DEMULT	1
10	5430-08972-00	8C	MC 6821 PIA	1
11	5019-09239-00	9C	4.7K 15 RES 16 PIN DIP PACK	1
12	5010-09187-00	R2 THRU R8	RESISTOR CF 150 OHM 5% 1/4W	7
13	5280-09477-00	5F,6F	7432, QUAD 2 INPUT OR	2
14	5010-08991-00	R1	RESISTOR CF 4.7K OHM 5% 1/4W	1
15	5671-09411-00	8G	MAN 72A 7SEG LED DISPLAY	1
16	5043-08980-00	C1-C11, C13-C16, C20-C24, C24-30	CAP CERAMIC .01 MFD. 50V + 80 -20%	23
17	5040-09421-00	C12, C15	CAP ELEC 100 MFD. 25V RAD + 50% -10%	1
18	5043-08996-00	C14, C17	CAP. CERAMIC, 1 MFD. 50V ± 20%	2
19	5043-09845-00	C25 - C53	CAP CERAMIC 1000 PFD. 50V AXIAL +/- 20%	29
20	5700-09004-00		24 PIN SOCKET	11
21	5795-09611-00	2P1	40 PIN RIBBON CABLE ASSY 5"	1
22	5791-09038-00	2J2	6 PIN MALE CONN 09-65-1061	1
23	5791-09444-00	2J3	10 PIN MALE CONN 09-65-1101	1
24	5791-09027-00	2J4	9 PIN MALE CONN 09-65-1091	1
25	5310-08975-00	7A	4049 INVERTING HEX BUF	1
26	5551-09825-00	L7 THRU L20	COIL, 4.7µH 30MA	14
27				
28	5551-09822-00	L3, L4	COIL, 4.7µH 3AMP	2
29	5551-09848-00	L1, L2, L5, L6	COIL, 2.0µH (RADIAL), 5A	4
30	5280-08973-00	4F	7408 QUAD 2 INPUT AND	1
31	5700-08985-00		40PIN IC SOCKET	2
32	5281-09867-00	ØF	IC 74LS244 OCTAL BUS TRANSCEIVER	1
33	5019-09362-00	SR1, SR2, SR3	SIP 4.7K Ω 9 RES 10-PIN	3
34	5281-09308-00	3F	IC 74LS245 OCTAL BUS/LINE DR/LINE RCVR	1
35	5340-09878-00	6D, 4D	RAM 2016 2K X 8	2

D-9179 BILL OF MATERIALS

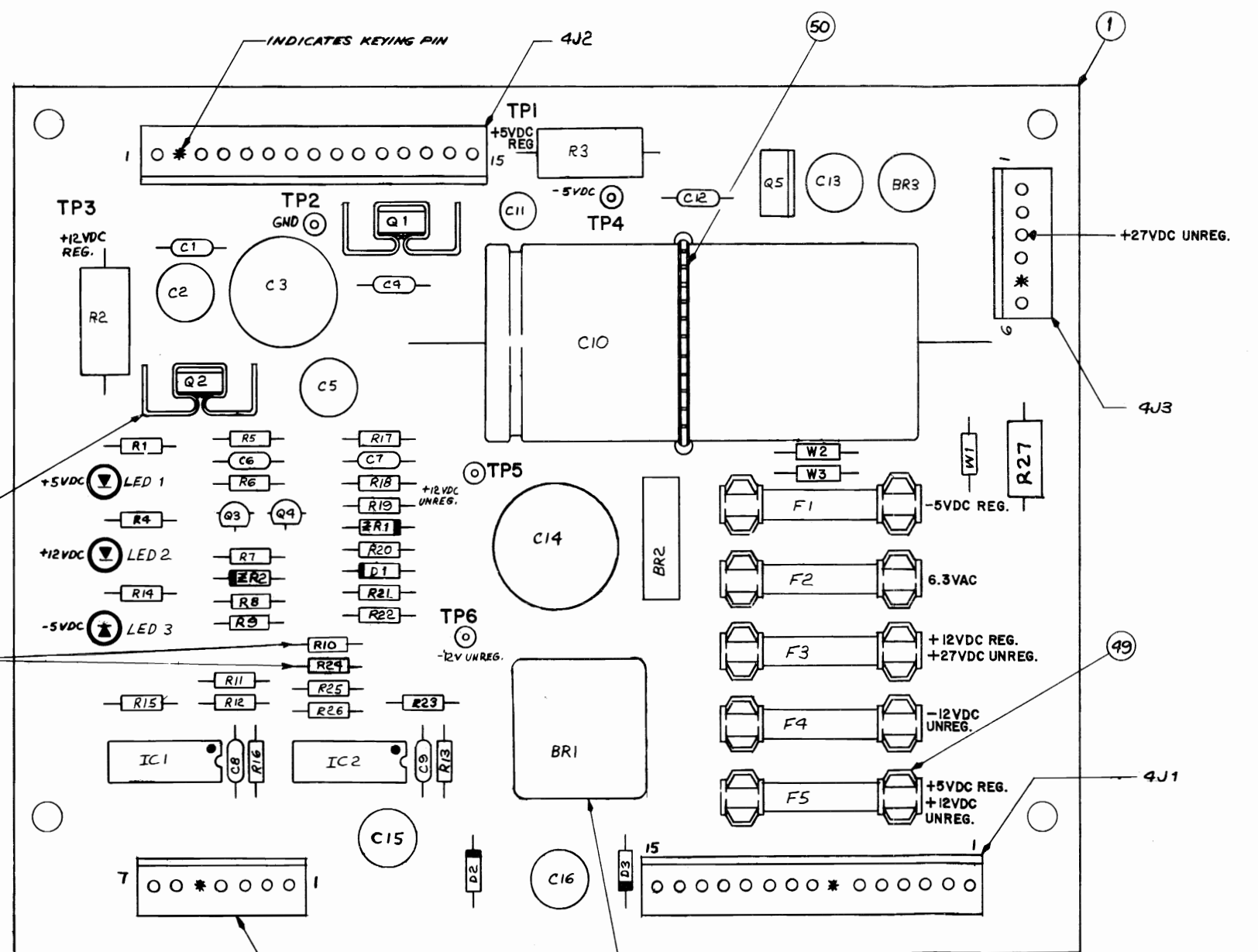
1	D-9176		ROM/PIA BD SUB-ASSEMBLY	1
2	SEE CHART	1A THRU 4C	GAME ROM	11
3	5010-09534-00	W1 THRU W4	RESISTOR C.F. 0 OHM 1/4 WATT	SEE NOTE
4	A-5410-09911	1F, 2F	SPECIAL CHIP 2	2



ROM Board Logic Diagram

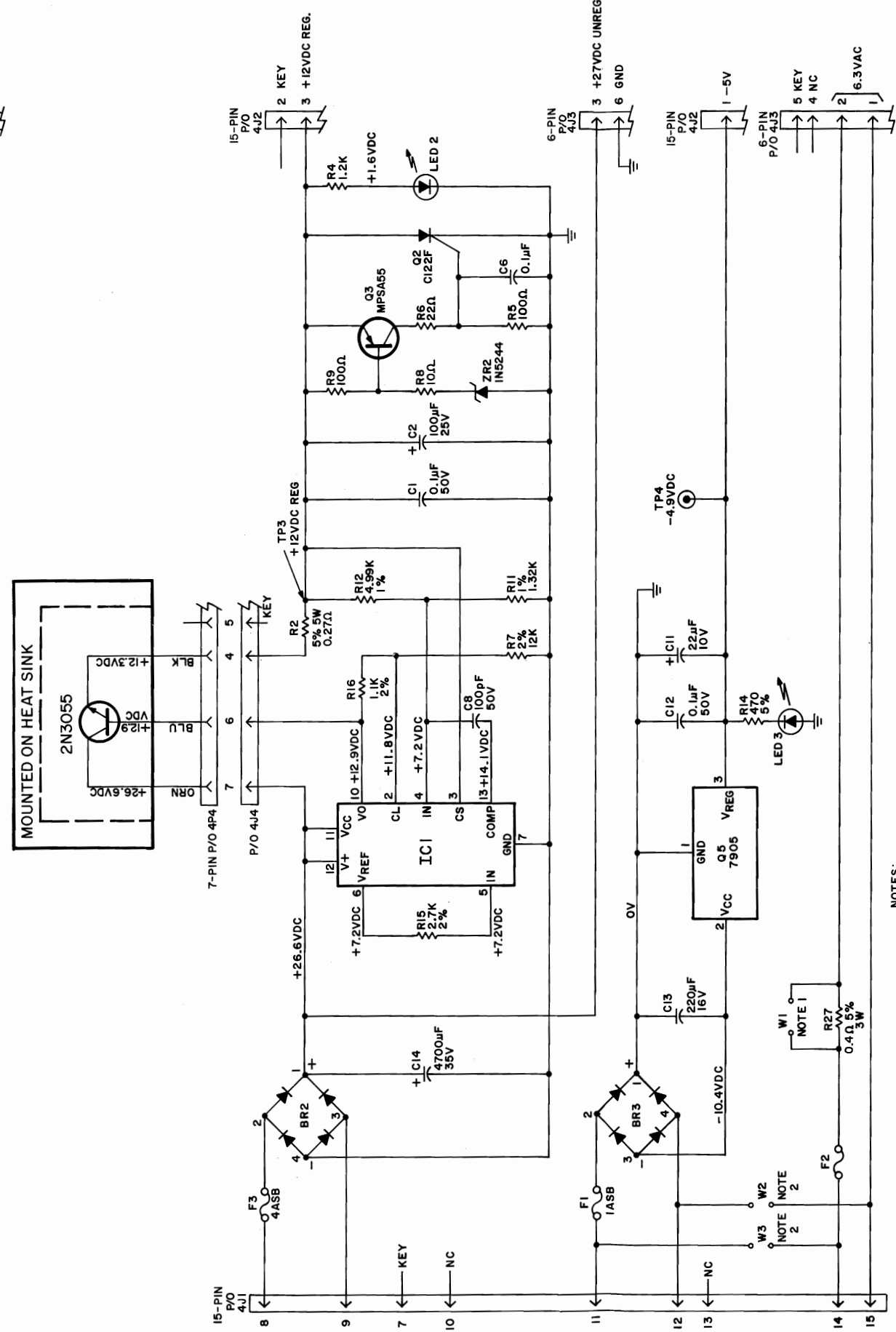
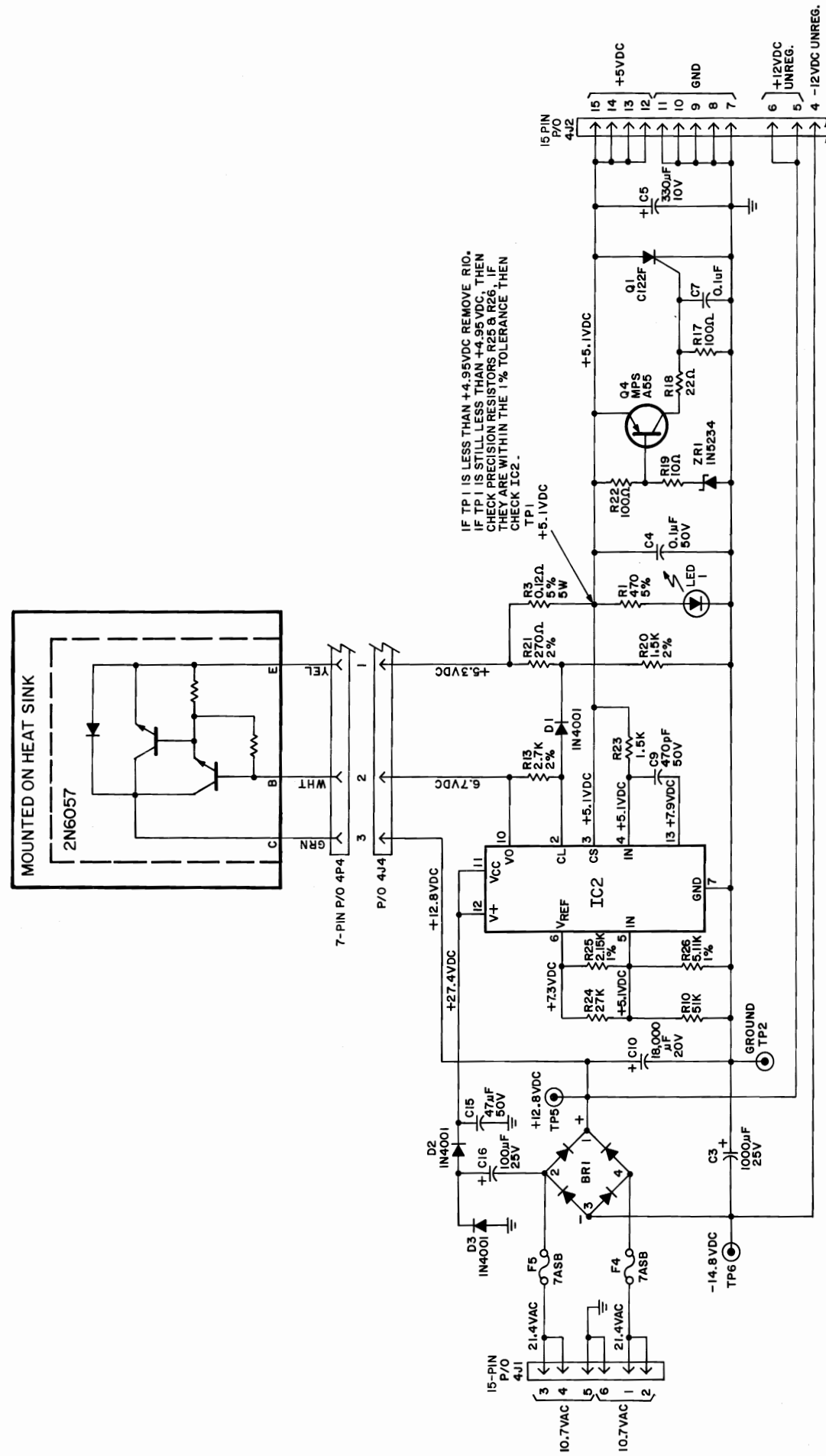
BILL OF MATERIAL

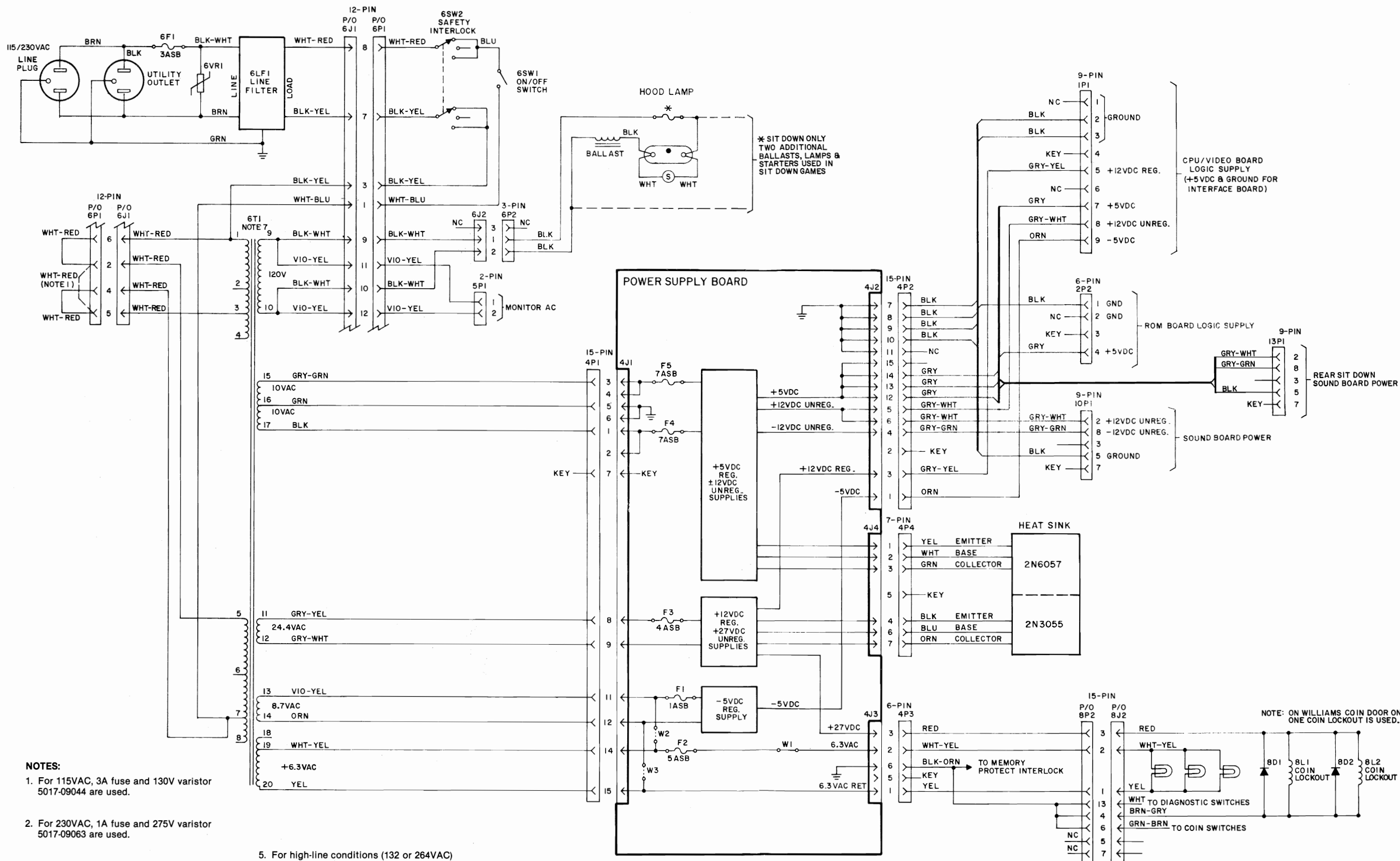
ITEM NO.	PART NO.	PART DESIGNATION	DESCRIPTION	REQ'D NO.
1	5773-09679-00		BARE P.C. BOARD	1
2	5010-09085-00	R23	RESISTOR, 1.5K 5%, 1/4W	1
3	5010-09491-00	R13, R15	RESISTOR, 2.7K 2%, 1/4W	2
4	5010-09508-00	R21	RESISTOR, 870Ω 2%, 1/4W	1
5	5010-09428-00	R20	RESISTOR, 1.5K 2%, 1/4W	1
6	5010-09509-00	R16	RESISTOR, 1.1K 2%, 1/4W	1
7	5010-09510-00	R7	RESISTOR, 12K 2%, 1/4W	1
8	5010-09319-00	R4	RESISTOR, 1.2K 5%, 1/4W	1
9	5010-09416-00	R1, R14	RESISTOR, 470Ω 5%, 1/4W	2
10	5013-09542-00	R11	RESISTOR, 7.32K 1%, 1/4W	1
11	5013-09427-00	R12	RESISTOR, 4.99K 1%, 1/4W	1
12	5013-09426-00	R25	RESISTOR, 2.15K 1%, 1/4W	1
13	5012-09429-00	R3	RESISTOR, .12Ω 5%, 5W	1
14	5012-09512-00	R2	RESISTOR, .27Ω 5%, 5W	1
15	5012-09037-00	R27	RESISTOR, 0.4Ω 5%, 3W	1
16	5013-09665-00	R26	RESISTOR, 5.11K 1%, 1/4W	1
17	5010-09434-00	R6, R18	RESISTOR, C.F. 22Ω ±5%, 1/4W	2
18	5010-09036-00	R5, R9, R17, R22	RESISTOR, C.F. 100Ω ±5%, 1/4W	4
19	5010-09039-00	R8, R19	RESISTOR, C.F. 10Ω ±5%, 1/4W	2
20	5010-09534-00	W1	RESISTOR, 0Ω	1
21	5043-08996-00	C6, C7	CAPACITOR, 0.1μF CERAMIC +80% -20% 50V	2
22	5040-09421-00	C2, C16	CAPACITOR, 100MFD, 25V RADIAL +50% -10%	2
23	5040-09422-00	C15	CAPACITOR, 47MFD, 50V RADIAL +50% -10%	1
24	5040-09420-00	C3	CAPACITOR, 1000MFD, 25V RADIAL +75% -10%	1
25	5040-09419-00	C10	CAPACITOR, 18,000MFD 20V AXIAL +75% -10%	1
26	5040-09423-00	C5	CAPACITOR, 330MFD 10V RADIAL +50% -10%	1
27	5040-09504-00	C14	CAPACITOR 4700MFD 35V RADIAL +50% -10%	1
28	5043-09446-00	C1, C4 & C12	CAPACITOR .1MFD, 50V AXIAL ±5V -20 +80%	3
29	5043-08065-00	C9	CAPACITOR 470PFD 50V AXIAL XTR ±10%	1
30	5043-09492-00	C8	CAPACITOR 100PFD 50V AXIAL 52L ±5%	1
31	5040-09506-00	C13	CAPACITOR 220MFD 16V RADIAL +50% -10%	1
32	5040-09493-00	C11	CAPACITOR 22MFD 10V RADIAL +50% -10%	1
33	5070-06258-00	D1, D2 & D3	DIODE, 1N4001	3
34	5075-09406-00	ZR1	ZENER 1N5234 ±5% (6.2V)	1
35	5075-09662-00	ZR2	ZENER 1N5244 ±5% (14V)	1
36	5190-09430-00	Q3, Q4	TRANSISTOR, MPS A55	2
37	5130-09661-00	Q1, Q2	SCR 8 AMP, 100V	2
38	5250-09515-00	Q5	VOLTAGE REGULATOR, 7905	1
39	5460-09424-00	IC1, IC2	VOLTAGE REGULATOR, 723	2
40	5100-09899-00	BR1	BRIDGE RECTIFIER, 35 AMP, 200V	1
41	5100-09513-00	BR2	BRIDGE RECTIFIER, 4.0A, 50V	1
42	5100-09514-00	BR3	BRIDGE RECTIFIER, 1.0A, 50V	1
43	5671-09019-00	LED1, LED2, LED3	LED, RED	3
44	5824-09298-00	TP1 - TP6	TERMINAL #1502-1 (TEST POINT)	4



NOTES:
 1. REMOVE R24 IF +5VDC IS GREATER THEM 5.25 VDC, REMOVE R10 IF +5VDC IS LESS THAN 4.75 VDC.
 2. BR1 MUST BE MOUNTED 1/8" ABOVE SURFACE OF BOARD.
 3. FOR SCHEMATIC REFER TO 16-8811.

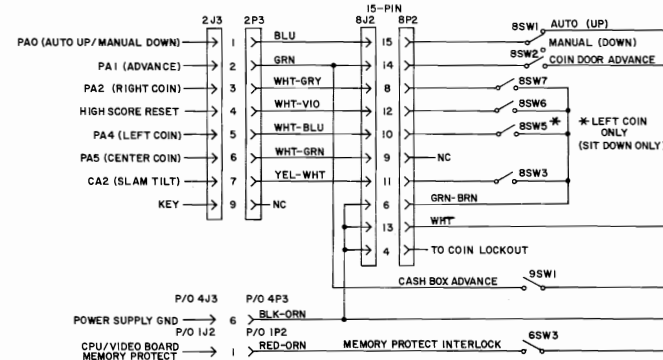
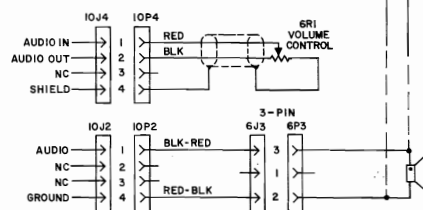
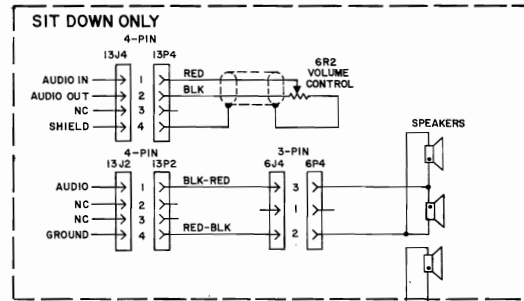
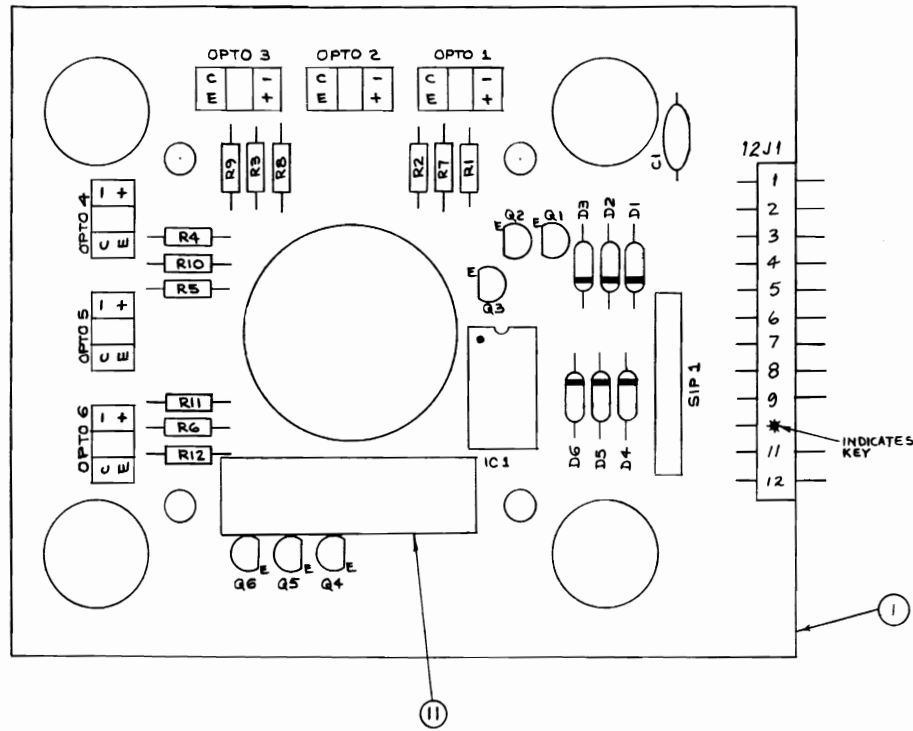
45	5731-09432-00	F4 & F5	FUSE, TA, S.B.	2
46	5731-06314-00	F3	FUSE, 9A, S.B., 250V	1
47	5731-06569-00	F1	FUSE, 1A, S.B. 250V	1
48	5731-09651-00	F2	FUSE, 3A, S.B. 250V	1
49	5732-09178-00		FUSEHOLDER,	10
50	03-7520		TIE WRAP	1
51	5791-09074-00	4J1 & 4J2	HEADER, 15 PIN 09-65-151	2
52	5791-09092-00	4J3	HEADER, 6 PIN 09-65-1061	1
53	5791-09497-00	4J4	HEADER, 7 PIN 09-65-1071	1
54	5705-09663-00		HEAT SINK	2
	5706-09689-00		HEAT SINK	0
55	5010-09682-00	R10	RESISTOR C.F. 51K ±5% 1/4W	1
56	5010-09324-00	R24	RESISTOR, C.F. 27K, ±5% 1/4W	1
ITEM NO.	PART NO.	PART DESIGNATION	DESCRIPTION	REQ'D NO.



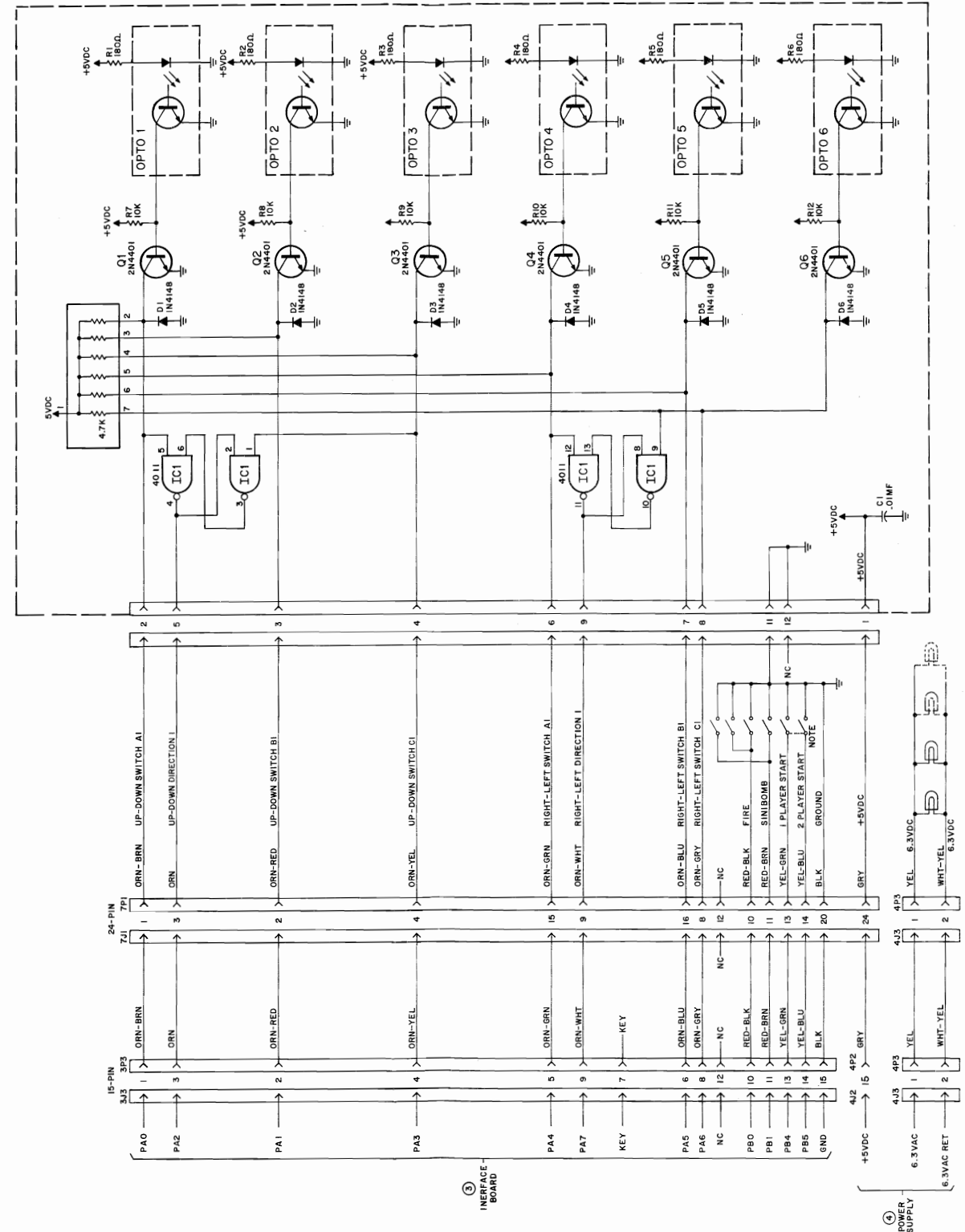


NOTES:

1. For 115VAC, 3A fuse and 130V varistor 5017-09044 are used.
2. For 230VAC, 1A fuse and 275V varistor 5017-09063 are used.
3. Jumper wires on 6P1 shown with solid lines are connected for 115VAC operation. Only the one shown with a dashed line is connected for 230VAC operation.
4. For low-line conditions (103.5 or 207VAC) move WHT-RED wire from 6T1-3 to 6T1-2 and move WHT-RED and WHT-BLU wires from 6T1-7 to 6T1-6.
5. For high-line conditions (132 or 264VAC) move WHT-RED wire from 6T1-3 to 6T1-4 and move WHT-RED and WHT-BLU wires from 6T1-7 to 6T1-8.
6. Secondary voltages shown (±3%) are with 115/230VAC input.
7. Transformer Part No. 55610-09658-00.



BILL OF MATERIAL				
ITEM NO.	PART NUMBER	PART DESIGNATION	DESCRIPTION	QTY. REQD
1	5772-10068-00		BARE P.C. BOARD	1
2	3490-09827-00	OPTO 1 THRU OPTO 6	OPTO INTER MODULE SWITCH	6
3	5310-09155-00	IC 1	I.C., 4011B CMOS QUAD 2-INP NAND GATE	1
4	5019-09362-00	SIP 1	10PIN, 4.7K, SIP	1
5	5010-09768-00	R1 THRU R6	RESISTOR, 180Ω, 1/4W	6
6	5160-08938-00	Q1 THRU Q6	TRANSISTOR, 2N4401 NPN	6
7	5070-08919-00	D1 THRU D6	DIODE, IN 4148	6
8	5791-10142-00	12J1	12 PH 2420 09-75-1121	1
9	5010-09034-00	R7 THRU R12	RESISTOR, 10KΩ, 1/4 W.	6
10	5043-08980-00	C1	CAP, AXIAL, CERAMIC, .01MFD 50V+80-20%	1
11	16-8850-59		LABEL-PCB ASSY ID	1



BILL OF MATERIAL

ITEM NO.	PART NO.	PART DESIGNATION	DESCRIPTION	REQ'D. NO.
1	01-2 01-146-6		BARE P.C. BOARD REV F	1
2	5370-09156-00	IC1	TDA 2002 V AUDIO AMPLIFIER	1
3	5280-09012-00	IC2	7442 BCD-DEC DECODER	1
4	5280-09073-00	IC3	7400 QUAD 2 INPUT NAND	1
5	5280-08973	IC4	7408 QUAD 2 INP. AND GATE	1
6	5310-09153-00	IC5	4050 BUFFER	1
7	5310-09154-00	IC6	4068 8 INPUT NAND GATE	1
8	5310-08971-00	IC7	4069 HEX INVERTER	1
9	5250-09157-00	IC8	7805 5 VOLT REG. W/TO 220 CASE	1
10	5430-08972-00	IC10	6821 P.I.A.	1
11	5340-09003-00	IC11	6810 RAM	1
12	5371-09152-00	IC13	1408 D/A CONVERTER	1
13	5160-08938-00	Q2, Q3, Q4	2N4401 NPN TRANSISTOR	3
14				
15	5075-09018-00	ZR1	1N5996A 6.8V ZENER DIODE	1
16				
17	5100-09357-00)	BR1	MDA 200/3N253	1
	5100-09158-00)		BRIDGE RECTIFIER	0
18	5520-09020-00	Y1	3.58 MHz CRYSTAL	1
19	5010-08991-00	R1,R18,R19,R21,R22, R27,R30,R31, R32	RESISTOR, FC, 4.7K OHM, 5% 1/4 WATT	9
20	5010-09036-00	R2 thru R10	RESISTOR, FC, 100 OHM, 5% 1/4W	9
21	5010-09358-00	R12,R15,R28,R36,R38	RESISTOR, FC, 1K OHM, 5% 1/4W	5
22	5010-09181-00	R14	RESISTOR, FC, 1 OHM, 10% 1/2 WATT	1
23	5010-09161-00	R16	RESISTOR, FC, 2.2 OHM, 5% 1/4 WATT	1
24	5010-09361-00	R17	RESISTOR, FC, 220 OHM, 5% 1/2 WATT	1
25				
26	5010-08983-00	R23, R24, R26	RESISTOR, FC, 3.3K OHM, 5% 1/4 WATT	3
27	5010-09179-00	R25	RESISTOR, FC, 3.3M OHM, 5% 1/4 WATT	1
28	5010-09035-00	R29	RESISTOR, FC, 47K OHM, 5% 1/4 WATT	1
29	5010-09034-00	R33, R35, R37	RESISTOR, FC, 10K OHM, 5% 1/4 WATT	3
30	5010-09039-00	R34	RESISTOR, FC, 10 OHM, 5% 1/4 WATT	1
31	5043-08980-00	C1, C16 thru C23, C31	CAPACITOR, CER. .01 MFD. 50V. +80%, -20%	10
32	5043-09065-00	C2 thru C10	CAPACITOR, CER. 470 PFD. 50V. +20%	9
33	5043-09345-00	C11	CAPACITOR, CER. .001 MFD. +20% 100V.	1
34	5040-09365-00	C12, C30, C36	CAPACITOR, ELECT. 1 MFD. 63V. -10 +50%	3
35	5043-08996-00	C13, C24, C35	CAPACITOR, CER. .1 MFD. 50V. +20%	3
36	5040-09165-00	C14	CAPACITOR, ELECT. 1,000 MFD. 16V. +20%	1
37	5040-09164-00	C15	CAPACITOR, ELECT. 470 MFD. 10V. +20%	1
38	5040-08986-00	C25	CAPACITOR, ELECT. 100 MFD. 10V. +20%	1
39	5040-08893-00	C26	CAPACITOR, ELECT. 1,000 MFD. 25V. +20%	1
40	5040-09376-00	C27	CAPACITOR, ELECT. 4700 MFD. 16V. +20%	1
41	5043-09180-00	C28	CAPACITOR, CER. 47 PFD. 1K V. +20%	1
42	5040-09343-00)	C29	CAPACITOR, ELECT. 10 MFD. 20V	1
43	5043-09169-00	C32, C33	CAPACITOR, CER. DISC, 27 PFD. 1KV. +10%	2
44	5041-09163-00	C34	CAPACITOR, TANTALUM 2.2 MFD. 15V. +20%	1
45	5041-09031-00	C37	CAPACITOR, TANTALUM 1 MFD. 25V. +20%	1
46	5641-09658-00)	SW1	MOMENTARY SWITCH SPDT	1
47	5645-09330-00	DS1	2 STD, DIP SWITCH	1
48	5731-06314-00	F1, F2	4 AMP SLOW BLOW FUSE	2
49	5732-09178-00		FUSEHOLDER	4
50	5705-09172-00		HEAT SINK THERMALLOY #6072B	1
51	5705-09173-00		HEAT SINK THERMALLOY #6071B	1
52	5705-09199-00		HEAT SINK THERMALLOY #6030	1
53	5700-09004-00		24 PIN SOCKET	1
54	5700-08985-00		40 PIN SOCKET	1
55	5791-09027-00	10J1, 10J3	9 PIN MALE CONNECTOR 09-65-1091	2
56	5791-09028-00	10J2, 10J4	4 PIN MALE CONNECTOR 09-65-1041	2
57				
58	4006-01003-06		6-32x3/8" P-PH-S	3
59	4406-01117-00		6-32 HEX NUT	3
60	5010-09534-00		0 OHM RESISTOR	A/R
61	5824-09248-00	TP1 THR TP4	TERMINAL #1502-1	4
62	5010-09363-00	R11	RESISTOR, FC, 5.6K OHM 5% 1/4 WATT	1
63				
64	5019-09362-00	SR1	RESISTOR, 4.7K OHM 10 PIN SIP	1
65	03-7520-1		TIE WRAP	1
66	4703-00007-00		#6 EXT. LOCKWASHER	3
67	20-9229		THERMAL COMPOUND	.01

NOTES:

1. USE THERMAL COMPOUND BETWEEN IC1 AND IC8, AND HEAT SINKS.

2. CAUTION: AVOID STATIC DISCHARGE DAMAGE TO MOS LOGIC.

3. SYMBOLS SHOWN ON COMPONENTS ARE FOR REFERENCE ONLY.

DO NOT SCREEN OR STAMP.

4. OBSERVE INDEX MARK OF ALL INTEGRATED CIRCUITS;

DIODES D1, D2, AND ZR1;

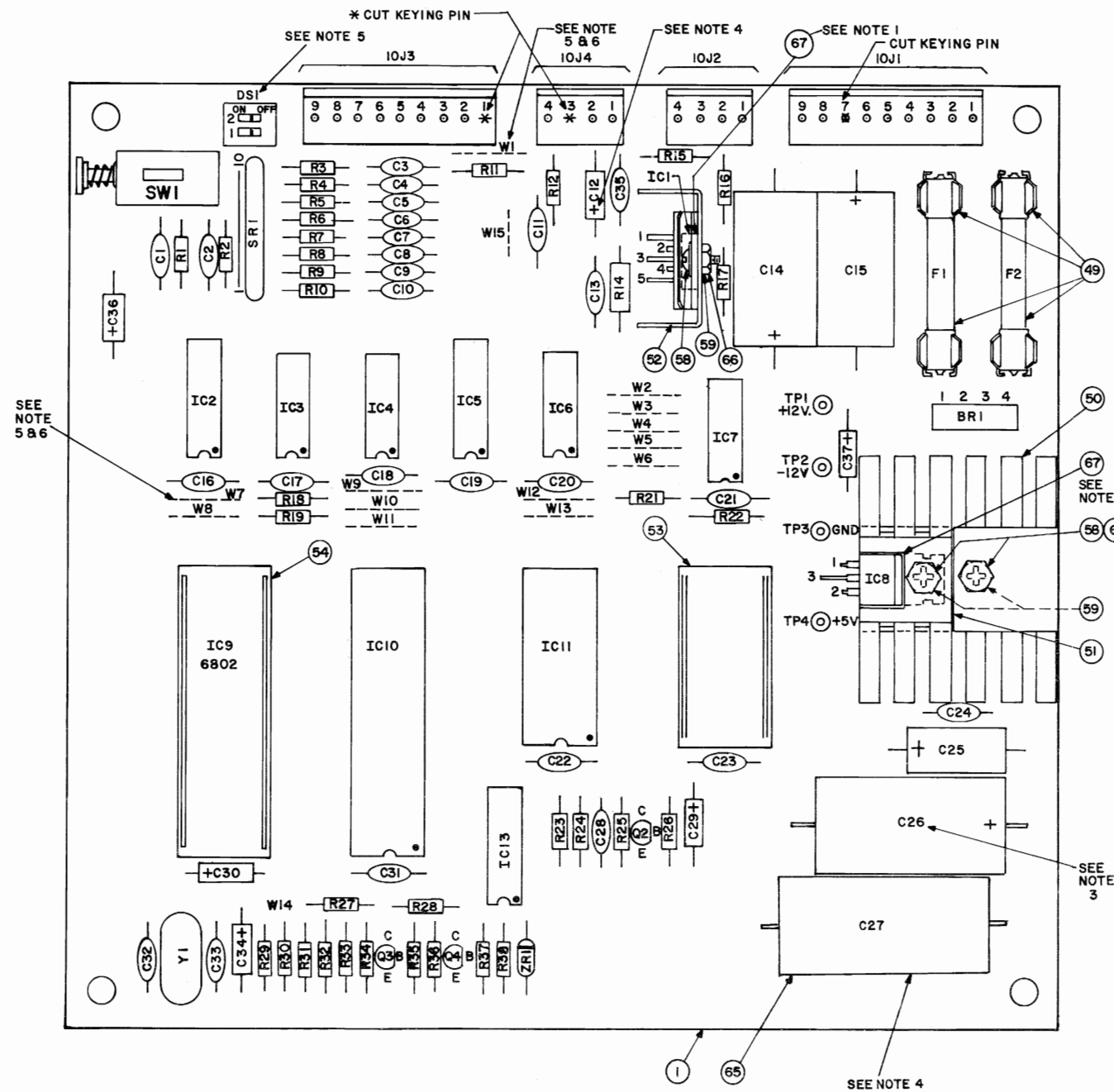
CAPACITORS C12, C14, C15, C25, C26, C27;

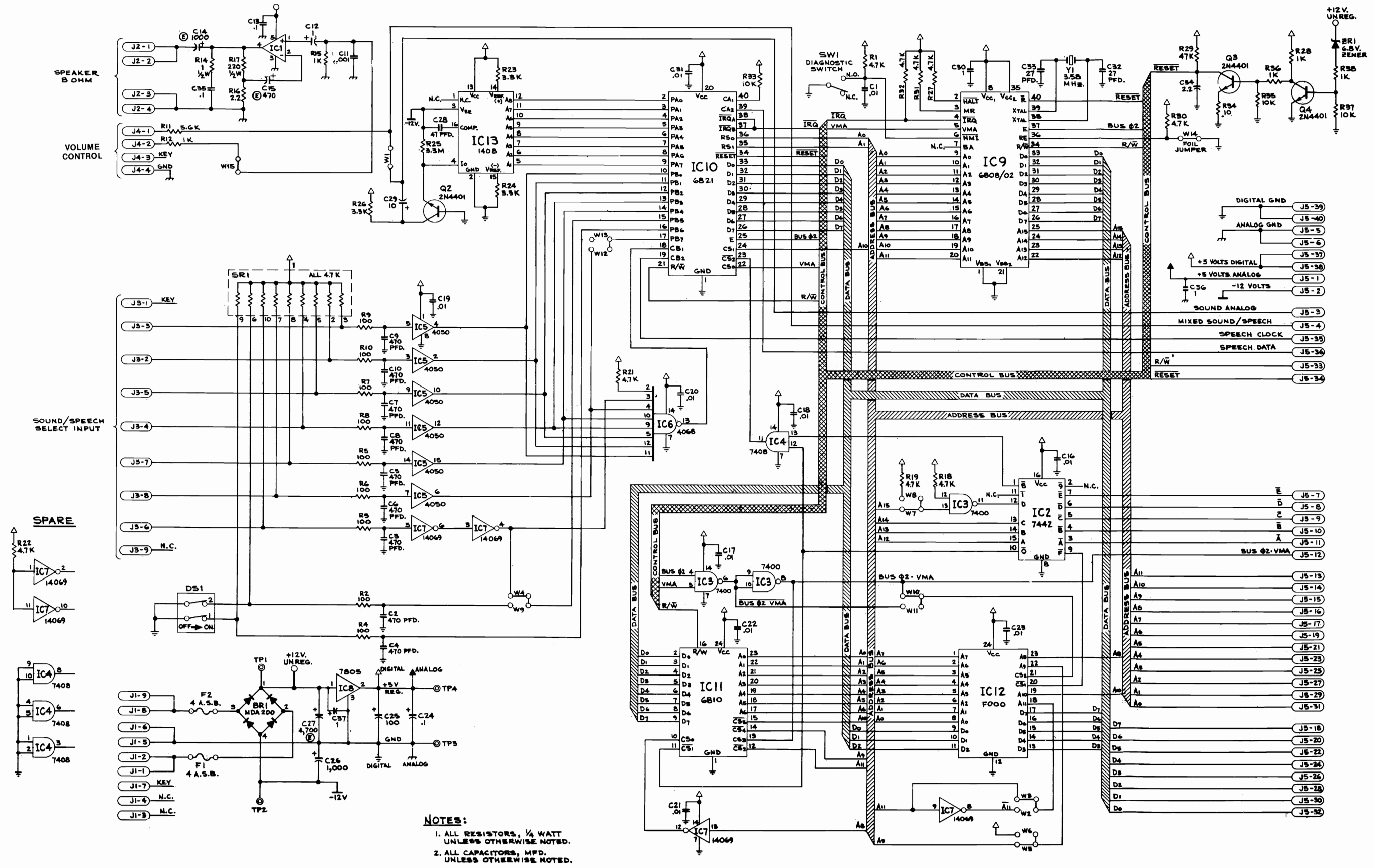
CONNECTORS 10J1, 10J2, 10J4, 10J3, 10J5;

POSITION OF TRANSISTORS Q1, Q2, Q3, Q4.

5. JUMPERS

W3) W2)
W4) W5)
W5) IN W9) OUT
W10) W11)
W12)
W13)





NOTES:
 1. ALL RESISTORS, 1/4 WATT UNLESS OTHERWISE NOTED.
 2. ALL CAPACITORS, MFD. UNLESS OTHERWISE NOTED.

