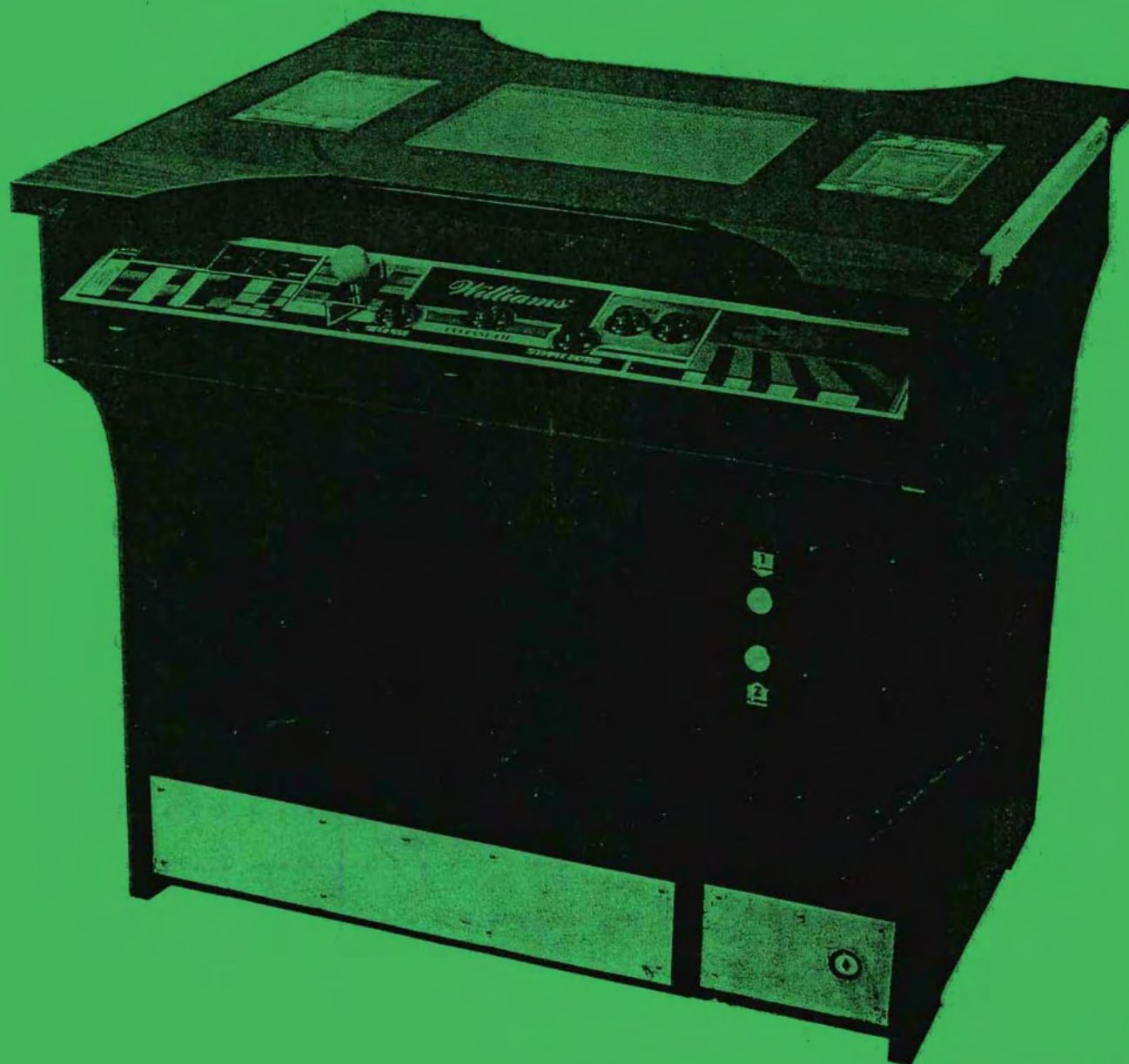


Williams[®]

16P-3001T-101
May, 1981

DEFENDER



For service call TOLL-FREE:
800-621-4765
In Illinois call
800-972-7898

Williams[®] 
ELECTRONICS, INC.

3401 N. California Ave., Chicago, IL 60618
Cable Address: WILCOIN, CHICAGO
(312) 267-2240

SPECIAL NOTES

CPU/Video Board

Model R8570 equipped with two decoder ROMs, must be used.

Interface Board

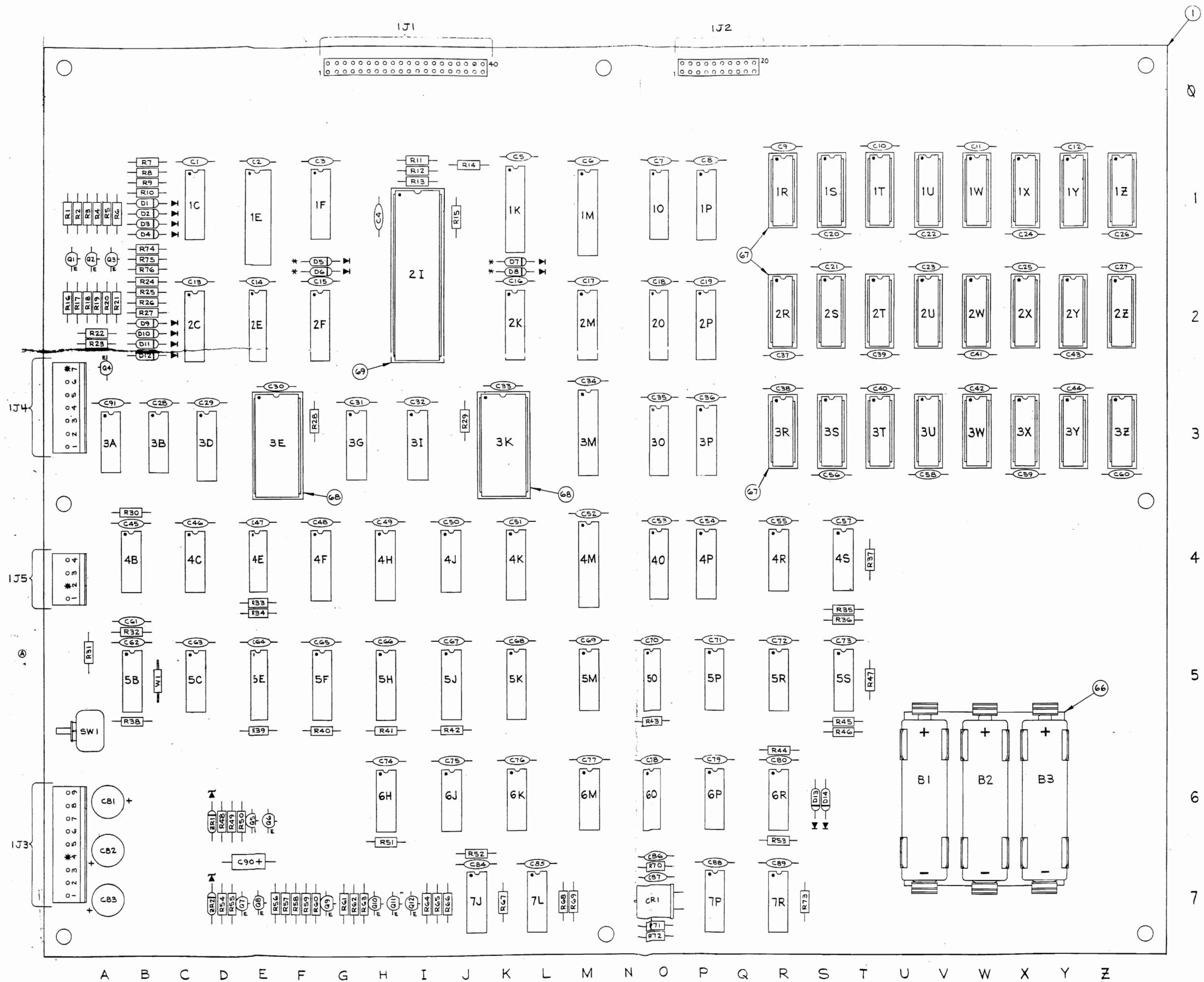
Jumper W1 must be removed and jumper W2 must be connected.

ROM Board

Must be equipped with red-labeled ROMs.

CONTENTS

Interboard Wiring Diagram	3
R8570 CPU/Video Board Assembly Drawing	4
R8570 CPU/Video Board Logic Diagram (1 of 2)	5
R8570 CPU/Video Board Logic Diagram (2 of 2)	6
C8573 Interface Board Assembly and Logic Diagram	7
D8572 ROM Board Assembly Drawing	8
D8572 ROM Board Logic Diagram	9
D8359 Power Supply Board Assembly Drawing	10
D8359 Power Supply Board Schematic Diagram	11
Power Wiring Diagram	12
D8608 Power Panel Assembly Drawing	13
D8224 Sound Board Assembly Drawing	14
D8224 Sound Board Logic Diagram	15
Cabinet Wiring Diagram	16

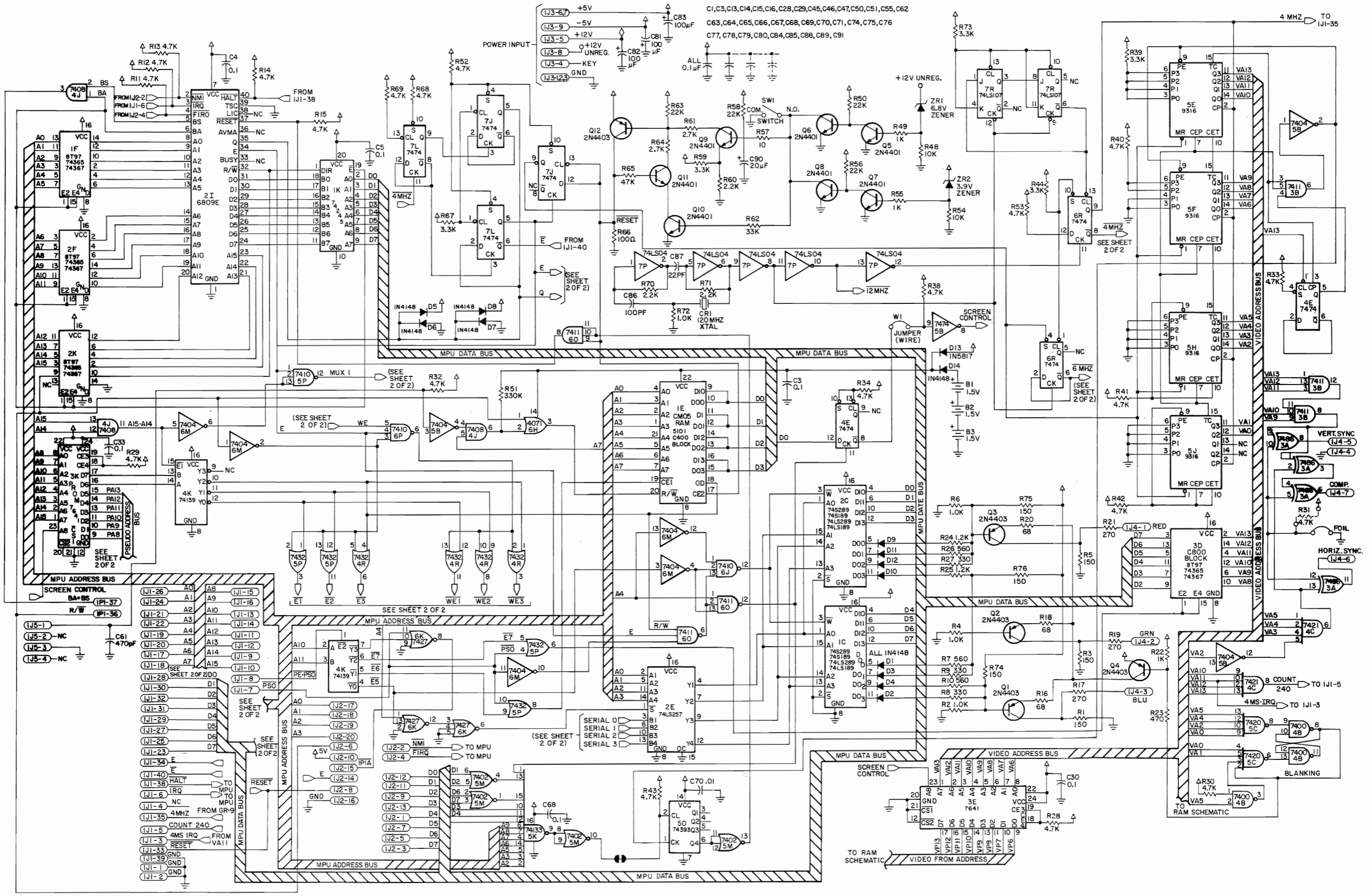


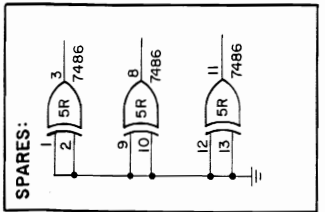
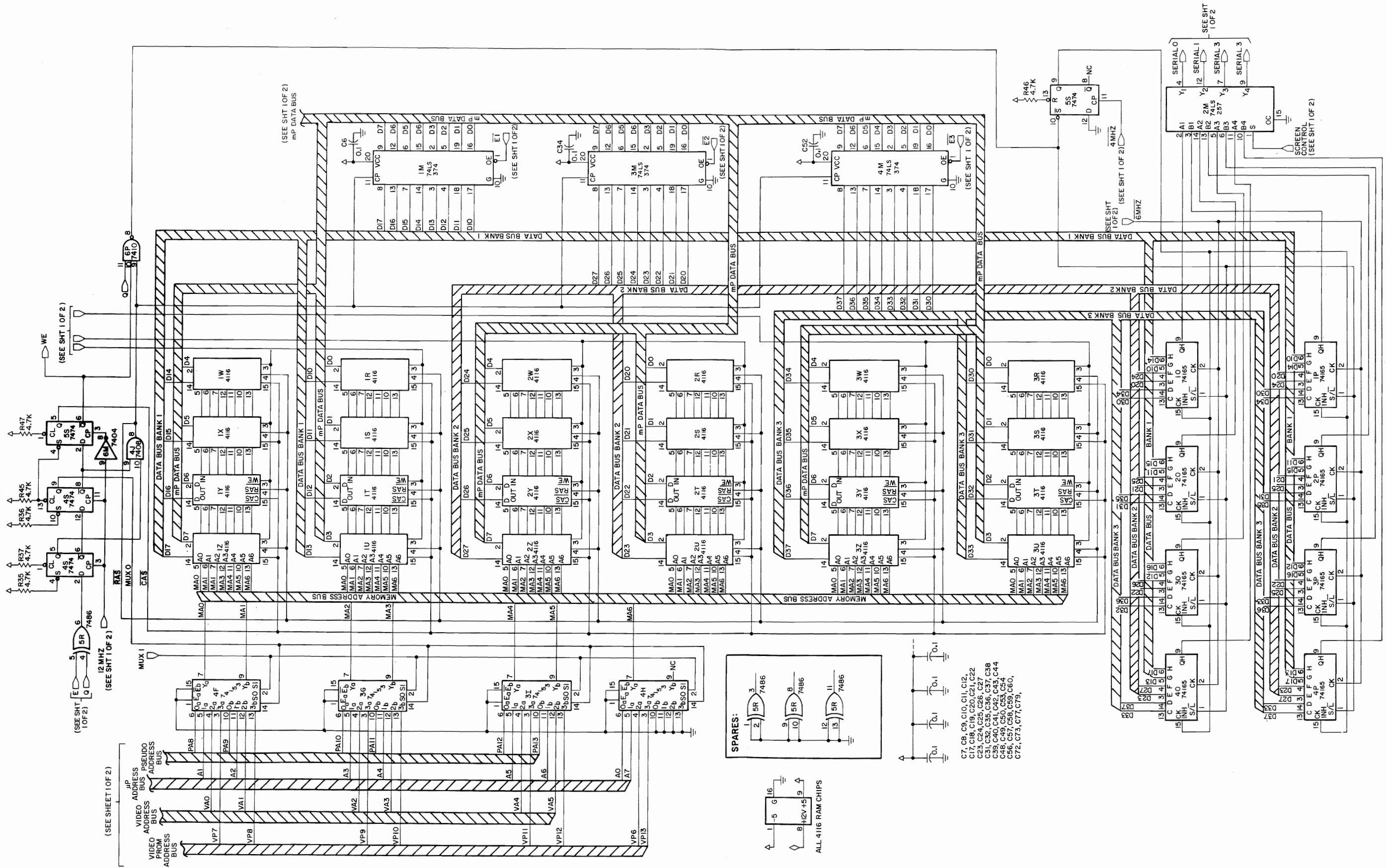
NOTES:

- 4116: 1R, 1S, 1T, 1U, 1V, 1X, 1Y, 1Z, 2R, 2S, 2T, 2U, 2V, 2X, 2Y, 2Z, 3R, 3S, 3T, 3U, 3V, 3X, 3Y, 3Z
- 417E RESISTOR:
R11, R12, R13, R14, R15, R20, R29, R30, R31, R32, R33, R34, R35, R36, R37, R38, R40, R41, R42, R43, R45, R46, R47, R50, R53, R56, R59
- 1 MFD. CAPACITOR:
C1, C2, C3, C4, C5, C6, C7, C8, C9, C10, C11, C12, C13, C14, C15, C16, C17, C18, C19, C20, C21, C22, C23, C24, C25, C26, C27, C28, C29, C30, C31, C32, C33, C34, C35, C36, C37, C38, C39, C40, C41, C42, C43, C44, C45, C46, C47, C48, C49, C50, C51, C52, C53, C54, C55, C56, C57, C58, C59, C60, C61, C62, C64, C65, C66, C67, C68, C69, C70, C71, C72, C73, C74, C75, C76, C77, C78, C79, C80, C84, C85, C86, C89, C91

- 41418 DIODE:
D1, D2, D3, D4, D5, D6, D7, D8, D9, D10, D11, D12, D14
- * THESE COMPONENTS ARE NOT USED IN THIS GAME - DEFENDER.

BILL OF MATERIAL				
ITEM NO.	PART NO.	PART DESIGNATION	DESCRIPTION	REQD. NO.
76	5010-09508-00	R17, R19, R21	RESISTOR, C.F., 270 OHM 2% 1/4 W.	3
77	5010-09534-00	W1	RESISTOR, C.F., 0 OHM	1
1	5170-09416-00	—	BARE P.C. BOARD	1
2	5280-09073-00	4B	7400 QUAD 2-INPUT NAND	1
3	5280-09748-00	5M	7402 QUAD 2-INPUT NOR	1
4	5281-09215-00	7P	74LS04 HEX. INVERTER	1
5	5280-09018-00	5B, 6M	7404 HEX. INVERTER	2
6	5280-08975-00	4J	7408 QUAD AND	1
7	5280-09011-00	6J, 6P	7410 TRIPLE 3-INPUT NAND	2
8	5280-09475-00	3B, 6O	7411 TRIPLE 3-INPUT AND	2
9	5280-09530-00	5C	7420 DUAL 4-INPUT NAND	1
10	5280-09476-00	4C	7421 DUAL 4-INPUT AND	1
11	5280-09477-00	4R, 5P	7432 QUAD 2-INPUT OR	2
12	5280-09478-00	4E, 6R, 7J, 7L	7474 DUAL D-TYPE FLIP-FLOP	4
13	5280-09479-00	3A, 5R	7486 QUAD 2-INPUT EX-OR	2
14	5281-09480-00	7R	74LS107 DUAL J-K FLIP-FLOP	1
15	5281-09532-00	5K	74LS133 13-INPUT NAND	1
16	5281-09546-00	4K	74LS139 DUAL 2 to 4 LINE DECODER	1
17	5280-09481-00	3G, 3I, 4F, 4H	74153 DUAL 4 to 1 DATA INVERT	4
18	5280-09482-00	10, 20, 30, 40, 1P, 3P, 3S, 4P	74165 8-BIT SHIFT REGISTER	2
19	5281-09483-00	1C, 2C	74LS09 or 74LS109 or 74LS289 16x4 RAM	1
20	5281-09484-00	1K	74LS245 OCTAL BUS TRANSCEIVER	1
21	5281-09485-00	2E, 2M	74LS257 QUAD DATA MUX	2
22	5281-09533-00	1F, 2F, 2K, 3O	74LS245 OCTAL BUS TRANSCEIVER	4
23	5281-09486-00	1M, 3M, 4M	74LS374 8-BIT D-TYPE FLIP-FLOP	3
24	5281-09487-00	4S, 5S	74LS374 DUAL D-TYPE FLIP-FLOP	2
25	5281-09534-00	5O	74LS393 DUAL 4-BIT BIN. COUNTER	1
26	5282-09015-00	3E, 3K	7641 512 x 8 PROM	2
27	5310-09217-00	4H	4071 CMOS QUAD 2-INPUT NOR	1
28	5340-09488-00	SEE NOTE #1	4116 (450 ns ACCESS) 16K X1 DYNAMIC RAM	24
29	5340-09017-00	1E	5101 256 x 4 CMOS RAM	1
30	5280-09489-00	5E, 5F, 5H, 5J	9316 4-BIT BIN. COUNTER	4
31	5400-09490-00	2I	6809E MICROPROCESSOR	1
32	5280-09547-00	6K	7417 TRIPLE 3-INPUT POS-NOR GATE	1
33	5010-09548-00	R16, R18, R20	RESISTOR, C.F., 68 OHM 2% 1/4 W.	3
34	5010-09082-00	R66	RESISTOR, C.F., 100 OHM 5% 1/4 W.	1
35	5010-09181-00	R1, R3, R5, R7, R7S, R76	RESISTOR, C.F., 150 OHM 5% 1/4 W.	6
36	5010-09416-00	R23	RESISTOR, C.F., 470 OHM 5% 1/4 W.	1
37	5010-09092-00	R7, R10, R24	RESISTOR, C.F., 560 OHM 5% 1/4 W.	3
38	5010-09358-00	R1, R4, R6, R12, R49, R55, R72	RESISTOR, C.F., 1K OHM 5% 1/4 W.	7
39	5010-09314-00	R24, R29	RESISTOR, C.F., 1.2K OHM 5% 1/4 W.	2
40	5010-08998-00	R60, R70, R71	RESISTOR, C.F., 2.2K OHM 5% 1/4 W.	3
41	5010-08997-00	R61, R64	RESISTOR, C.F., 2.2K OHM 5% 1/4 W.	2
42	5010-08983-00	R39, R42, R89, R67, R78	RESISTOR, C.F., 3.3K OHM 5% 1/4 W.	5
43	5010-08991-00	SEE NOTE #2	RESISTOR, C.F., 4.7K OHM 5% 1/4 W.	27
44	5010-09034-00	R48, R54	RESISTOR, C.F., 10K OHM 5% 1/4 W.	2
45	5010-08774-00	R50, R54, R58, R65	RESISTOR, C.F., 22K OHM 5% 1/4 W.	4
46	5010-09118-00	R42	RESISTOR, C.F., 33K OHM 5% 1/4 W.	1
47	5010-09359-00	R65	RESISTOR, C.F., 47K OHM 5% 1/4 W.	1
48	5010-09442-00	R51	RESISTOR, C.F., 330K OHM 5% 1/4 W.	1
49	5010-09001-00	R8, R9, R37	RESISTOR, C.F., 330 OHM 5% 1/4 W.	3
50	5010-09033-00	R57	RESISTOR, C.F., 10 OHM 5% 1/4 W.	1
51	5043-09491-00	C87	CAPACITOR, AXIAL 22 PFD. 1K V. 20%	1
52	5043-09492-00	C86	CAPACITOR, AXIAL 100 PFD. 50 V. 10%	1
53	5040-09545-00	C90	CAPACITOR, AXIAL 22 MFD. 10 V. 20%	1
54	5043-09063-00	C61	CAPACITOR, AXIAL 470 PFD. 50 V. XTR	1
55	5043-08996-00	SEE NOTE #3	CAPACITOR, AXIAL .1 MFD. 50 V. 20%	84
56	5040-09421-00	C81, C82, C83	CAPACITOR, RADIAL 100 MFD. 25 V. 10-10%	3
57	5075-09059-00	ER2	1N5990A 3.3 V. ZENER DIODE	1
58	5075-09018-00	ER1	1N5990A 4.7 V. ZENER DIODE	1
59	5070-08919-00	SEE NOTE #4	1N4148 DIODE, SILICON	13
60	5070-09264-00	D13	1N5817 DIODE, SILICON	1
61	5160-08936-00	Q5, Q6, Q7, Q8, Q9, Q10, Q11	2N4401, TO-92 TRANSISTOR, NPN	7
62	5190-09016-00	Q1, Q2, Q3, Q4, Q12	2N4403, TO-92 TRANSISTOR, PNP	5
63	5220-09495-00	CRI	12 MHR CRYSTAL	1
64	5641-09871-00	SW1	PUSH BUTTON SW. PBT (MOMENTARY ON)	1
65	5880-09022-00	B1, B2, B3	BATTERY ALKALINE 1.5 V. (AA)	3
66	5881-09021-00	—	BATTERY HOLDER *171	1
67	5900-09002-00	—	16-PIN IC SOCKET	24
68	5900-09004-00	—	24-PIN IC SOCKET	2
69	5900-08985-00	—	40-PIN IC SOCKET	1
70	5791-09437-00	IP4	20 PIN RIBBON CABLE HEADER	1
71	5791-09449-00	IP1	40 PIN RIBBON CABLE HEADER	1
72	—	—	—	—
73	5791-09028-00	IP5	4 PIN HEADER 09-65-1041	1
74	5791-09497-00	IP2	7 PIN HEADER 09-65-1071	1
75	5791-09499-00	IP3	9 PIN HEADER 09-65-1091	1

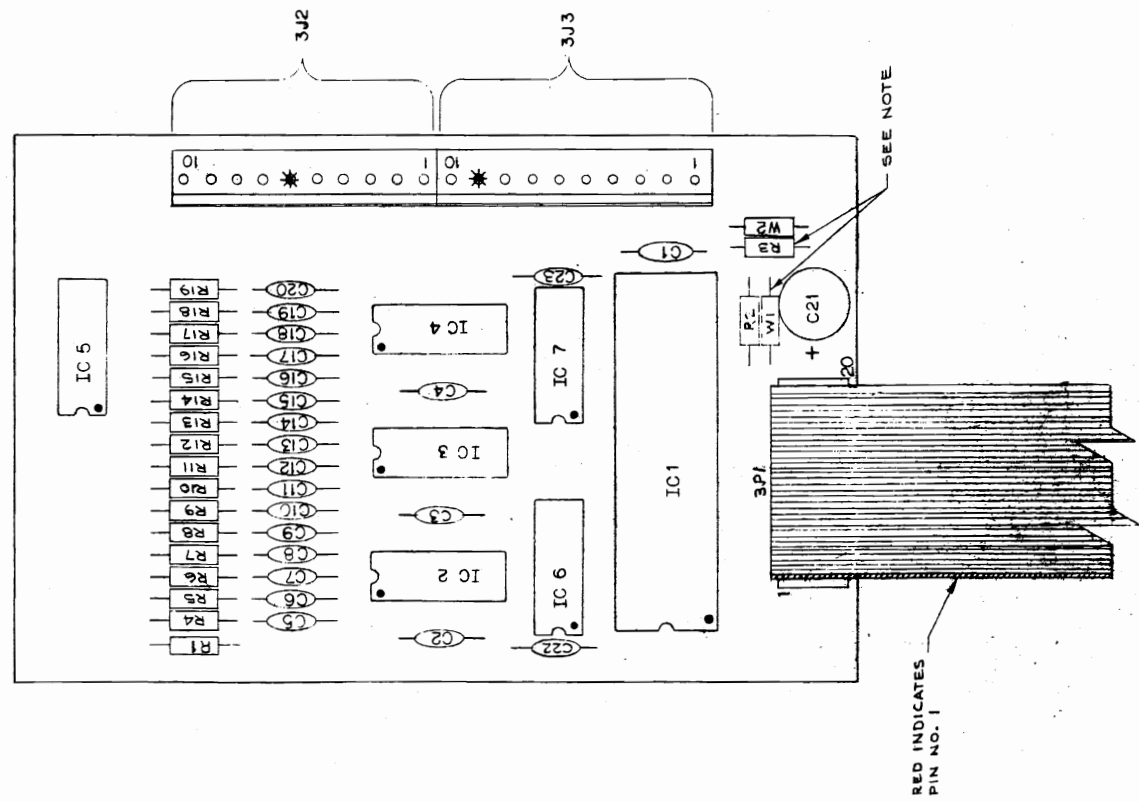




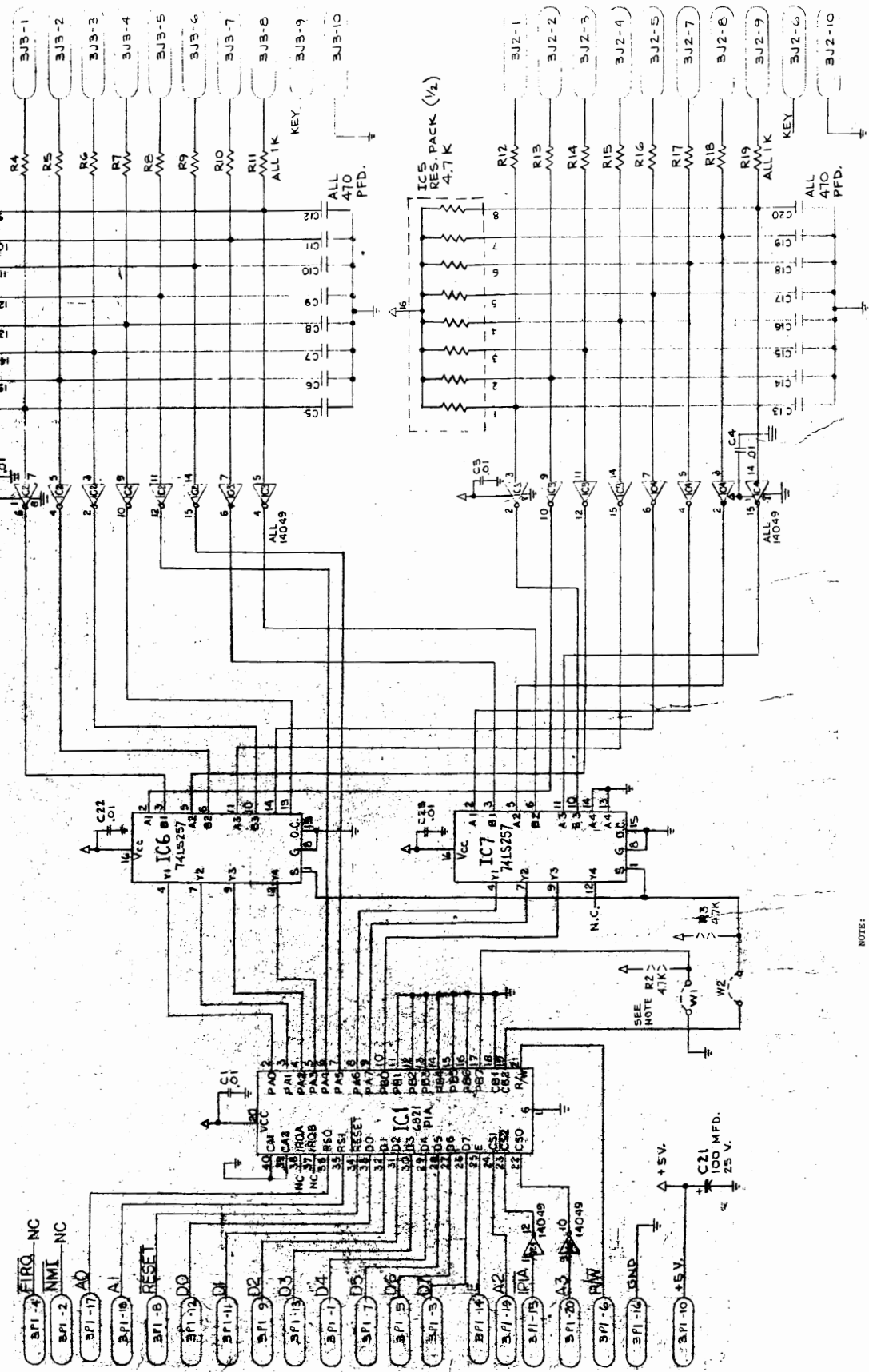
C7, C8, C9, C10, C11, C12,
 C17, C18, C19, C20, C21, C22
 C23, C24, C25, C26, C27
 C31, C32, C33, C36, C37, C38
 C39, C40, C41, C42, C43, C44
 C48, C49, C50, C53, C54
 C55, C57, C58, C59, C60,
 C72, C73, C77, C79,

R8570 CPU/Video Board Logic Diagram (Sheet 2 of 2)

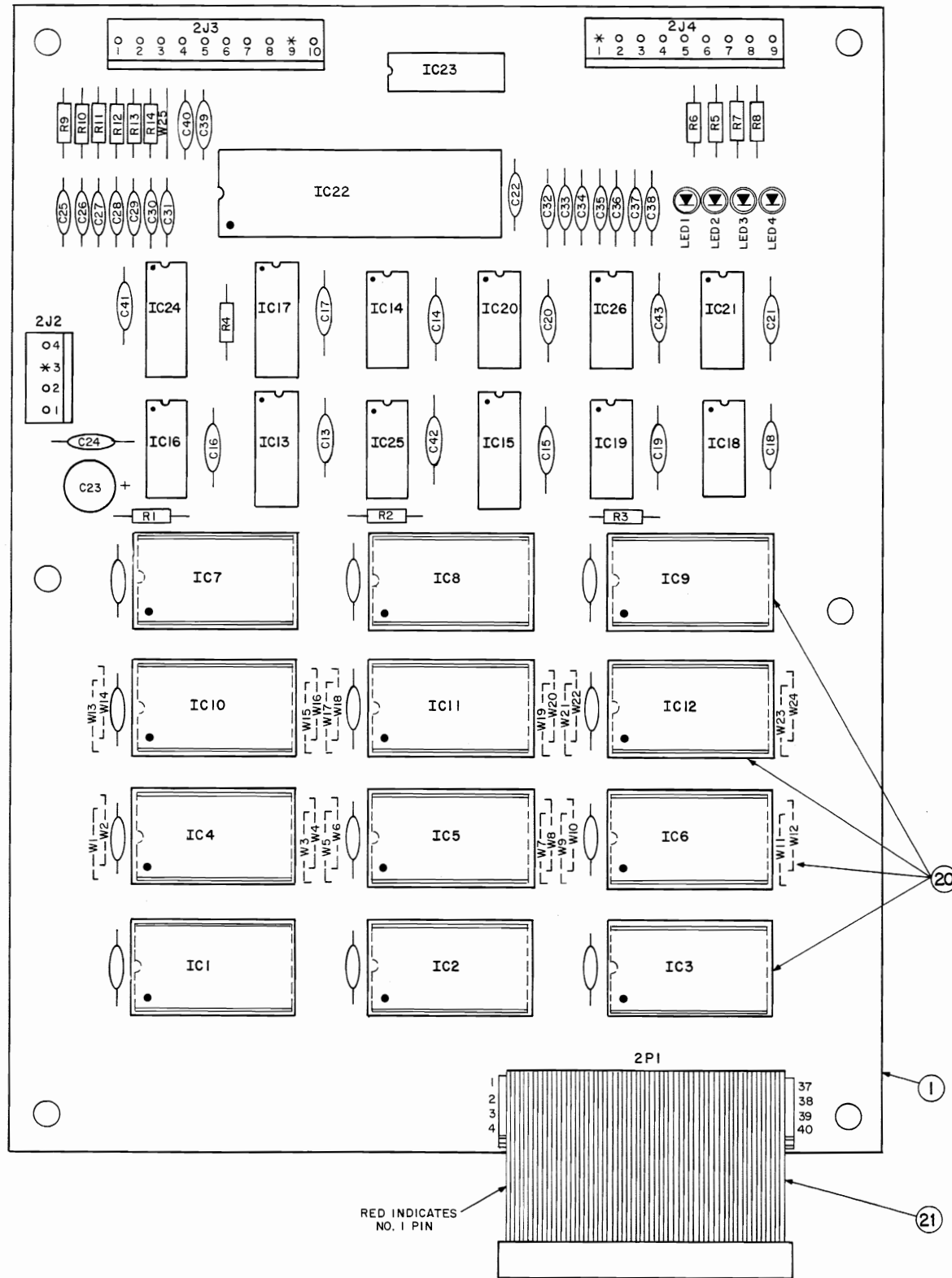
BILL OF MATERIALS				
ITEM NO.	PART NO.	PART DESIGNATION	DESCRIPTION	NO. REQ'D
1	0714-00	BARE P.C. BOARD		1
2	0810-00	IC2, IC3, IC4	4049 CMOS HEX INVERTER	3
3	5019-00	IC5	47K/2 15 RES 16PIN DIP PACK	1
4	5145-00	IC6, IC7	74LS257 8-BIT DATA MULTIPLEXER	2
5	5010-00	R1, R2, R3	RESISTOR, 1/4 WATT	3
6	5010-00	R4 THRU R19	RESISTOR, 1/4 WATT	16
7	5048-00	C5 THRU C20	CAPACITOR, CERAMIC DISC, 470 PFD, 50 V, X1R	16
8	5048-00	C21	CAPACITOR, CERAMIC DISC, 100 MFD, 50 VOLT, 50% TOL, 10% MED.	1
9	5048-00	C4, C22, C23	CAPACITOR, CERAMIC DISC, .01 MFD, 50 V, ±10-20%	6
10	0914-00	3J1, 3J3	10 PIN HEADER 09-65-1101	2
11	5193-	3P1	20 PIN RIBBON CABLE Assy	1
12	5430-	IC1	6821 PIA	1
13	08254-00	W1, W2	0 Ω RESISTOR	2



NOTE:
FOR COCKTAIL TABLE GAMES, W2 MUST BE CONNECTED AND W1 MUST BE REMOVED.
FOR UPRIGHT GAMES, W1 MUST BE CONNECTED WITH RED-LABELLED RING, W2 MAY BE CONNECTED OR REMOVED. WITH LABELS OF OTHER COLORS, W2 MUST BE REMOVED.

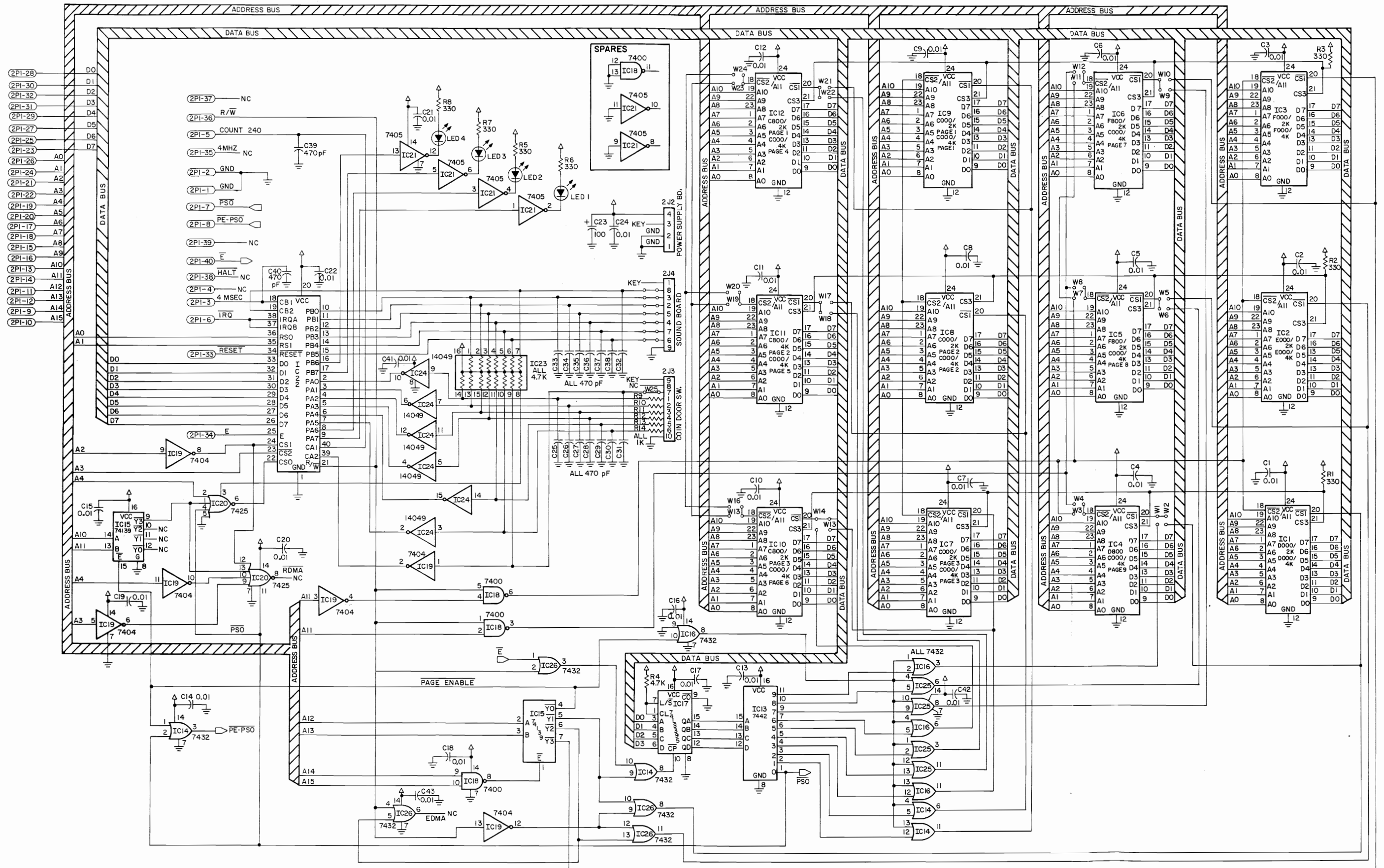


NOTE:
FOR COCKTAIL TABLE GAMES, W2 MUST BE CONNECTED AND W1 MUST BE REMOVED.
FOR UPRIGHT GAMES, W1 MUST BE CONNECTED WITH RED-LABELLED RING, W2 MAY BE CONNECTED OR REMOVED. WITH LABELS OF OTHER COLORS, W2 MUST BE REMOVED.

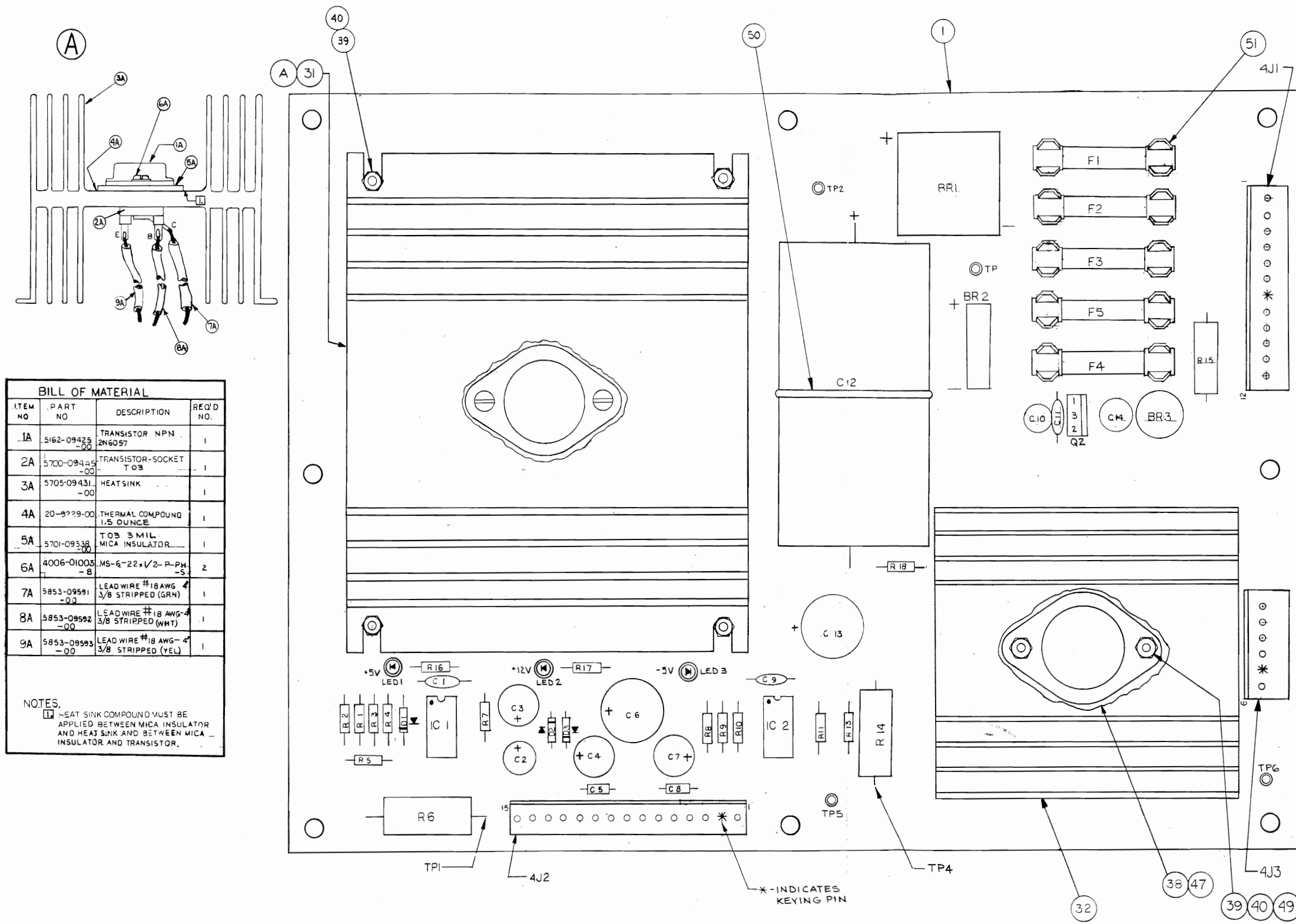


BILL OF MATERIALS				
ITEM	PART NO.	PART DESIGNATION	DESCRIPTION	REQ'D NO
1	5771-09615-00		BARE P.C. BOARD	1
2	5280-09012-00	IC13	7442 BCD DECODER	1
3	5280-09477-00	IC4,IC16,IC25,IC26	7432 QUAD 2-INPUT OR GATE	4
4	5281-09246-00	IC15	74LS139 DUAL 2 TO 4 LINE DECODER	1
5	5281-09501-00	IC17	74LS395 4-BIT UNIVERSAL SHIFT REG.	1
6	5280-09073-00	IC18	7400 QUAD 2 INPUT NAND	1
7	5280-09013-00	IC19	7404 HEX. INVERTERS	1
8	5280-09551-00	IC20	7425 DUAL 4 INPUT NOR GATES WITH STROBE	1
9	5280-08949-00	IC21	7405 HEX INVERTERS WITH OPEN-COLLECTOR OUTPUTS.	1
10	5430-08972-00	IC22	MC6821 PIA	1
11	5019-09239-00	IC23	4.7K 15 RES. 16 PIN DIP PACK	1
12	5671-09019-00	LED 1 THRU LED 4	LED RED	4
13	5010-09001-00	R1 THRU R3 R5 THRU R8	RESISTOR, FC, 330OHM 5% 1/4 W	7
14	5010-08991-00	R4	RESISTOR, FC, 4.7KOHM 5% 1/4 W	1
15				
16	5043-08980-00	C1 THRU C15, C18 THRU C22, C41-C43	CAP. CERAMIC 0.01 MFD. 50V	24
17	5040-09421-00	C23	CAP. ELECT., 100MFD. 25V	1
18	5043-08996-00	C24	CAP. CERAMIC 0.1 MFD	1
19	5043-09065-00	C17, C25 THRU C28	CAP. CERAMIC, 470 PFD. 50V AXIAL	17
20	5700-09004-00		24 PIN IC SOCKET	12
21	5795-09611-00	2P1	40 PIN RIBBON CABLE ASS'Y. 5"	1
22	5791-09028-00	2J2	4 PIN MALE CONNECTOR 09-65-1041	1
23	5791-09444-00	2J3	10 PIN MALE CONNECTOR 09-65-1101	1
24	5791-09027-00	2J4	9 PIN MALE CONNECTOR 09-65-1091	1
25	5310-08975-00	IC24	4049 INVERTING HEX. BUFFER	1
26	5010-09358-00	R9 THRU R14	RESISTOR, FC, 1K OHM 5% 1/4 W	6
27	5010-09534-00	W1 THRU W25	RESISTOR, FC, 0 OHM	AS REQ'D
28	SEE CHART	IC1 THRU IC12 SEE CHART	SEE CHART	AS REQ'D

GAME NAME	"DEFENDER" RED LABEL				
ASSEM. NO.	D-8572-3001				
IC1	A-5343-09636				
IC2	A-5343-09637				
IC3	A-5343-09638				
IC4	A-5343-09639				
IC5	NOT USED				
IC6	A-5343-09640				
IC7	A-5343-09641				
IC8	A-5343-09642				
IC9	A-5343-09643				
IC10	A-5343-09644				
IC11	A-5343-09645				
IC12	A-5343-09646				
JUMPERS	W2, W4, W6, W7, W9, W11, W13, W16, W17, W20, W21, W24				



D8572 ROM Board Logic Diagram



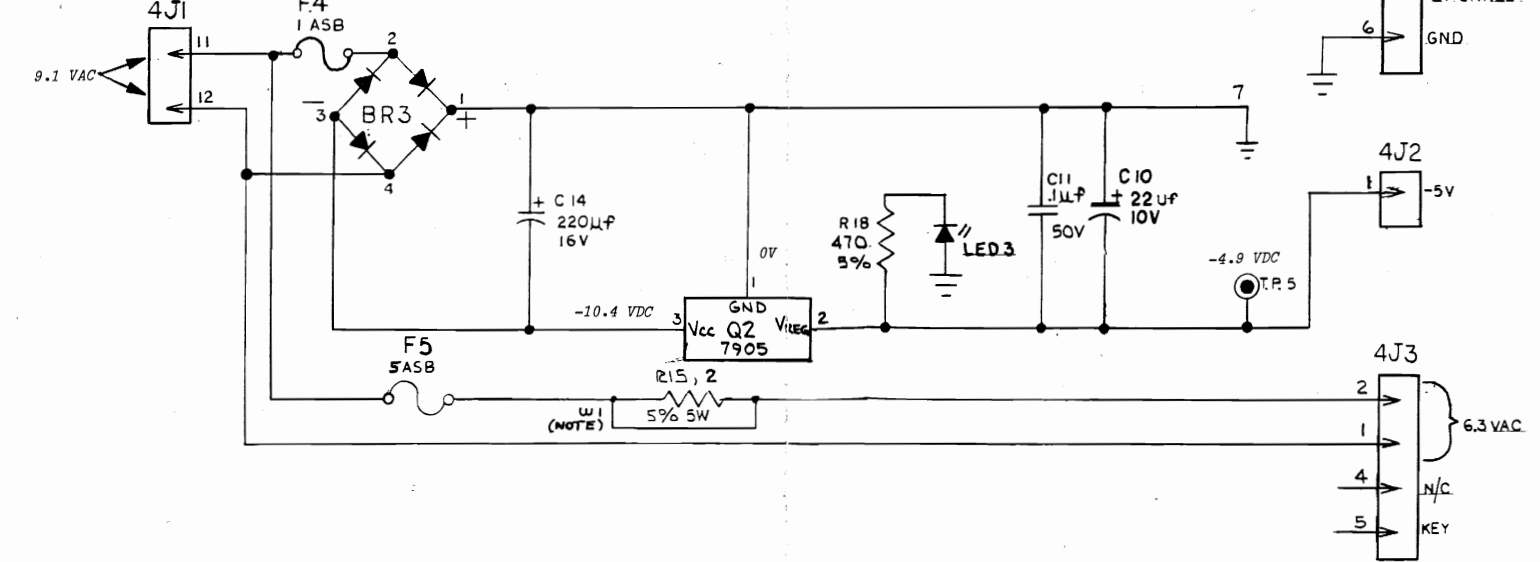
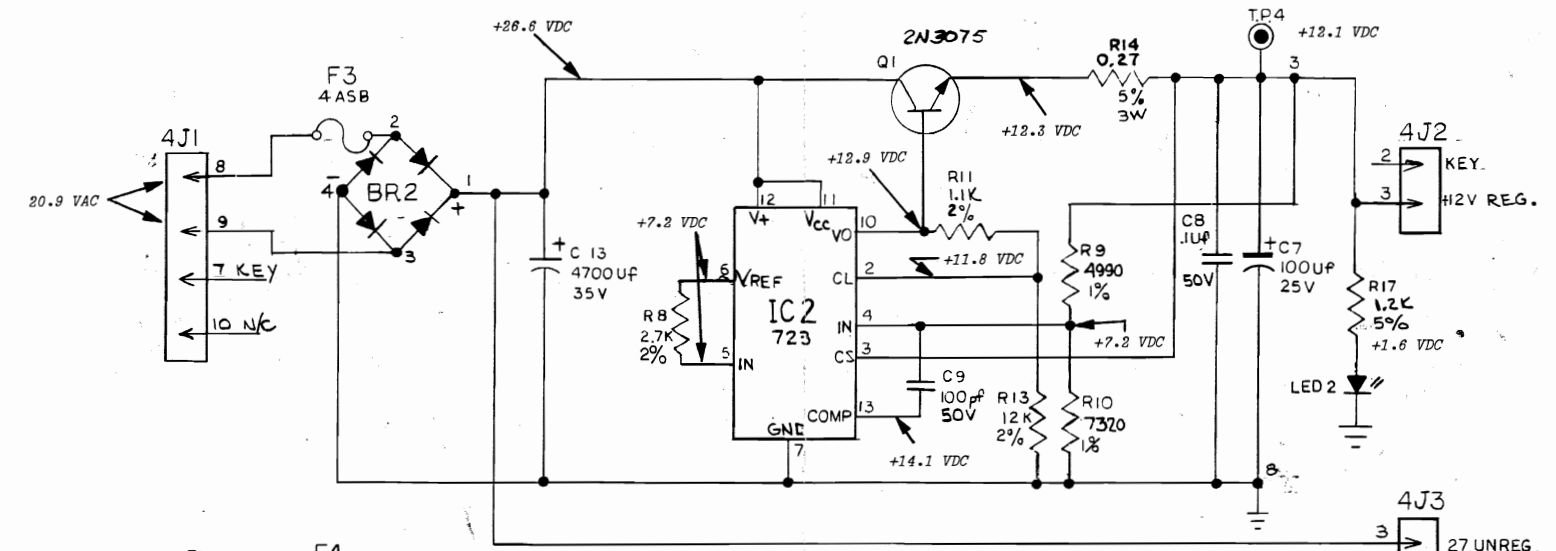
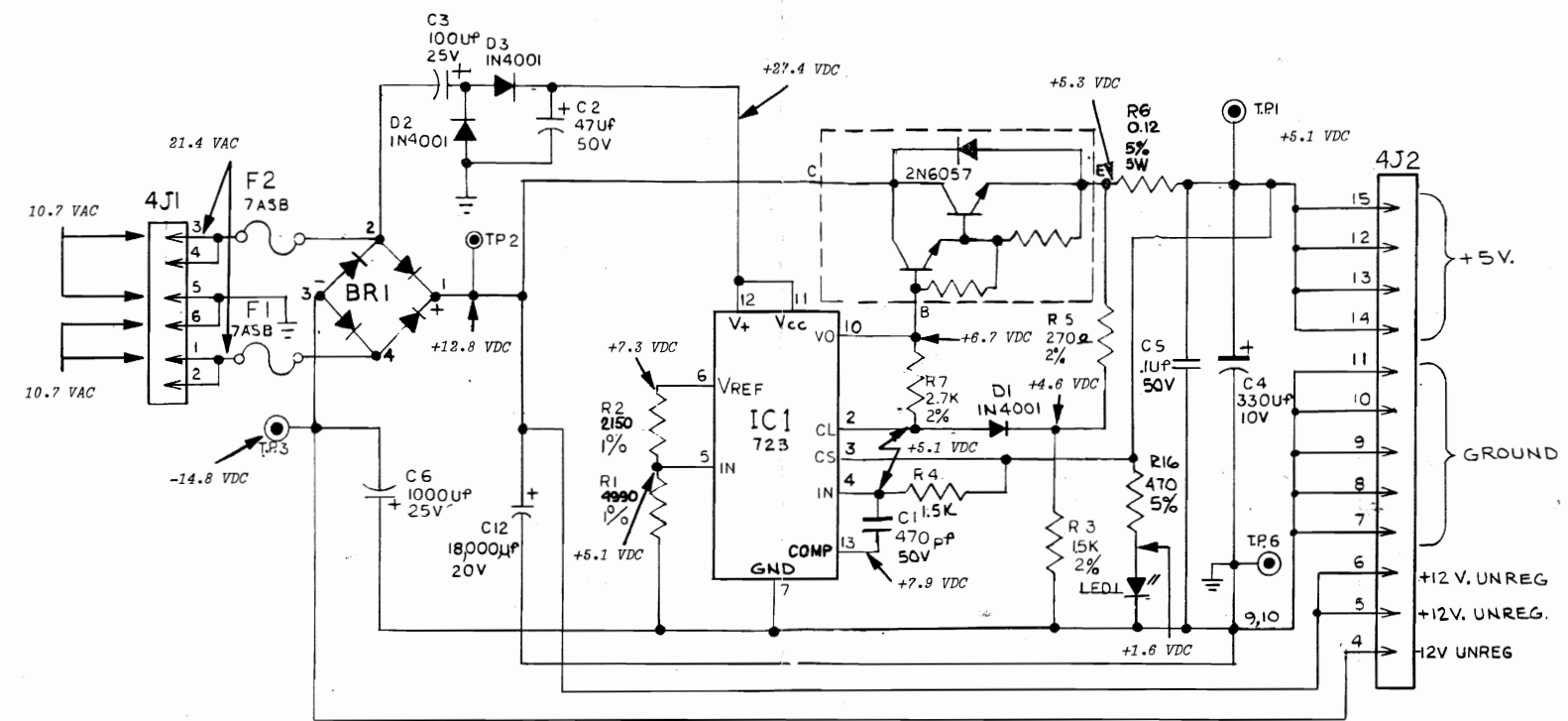
BILL OF MATERIAL

ITEM NO.	PART NO.	DESCRIPTION	REQ'D NO.
1A	5162-09425-00	TRANSISTOR NPN 2N6057	1
2A	5700-09445-00	TRANSISTOR-SOCKET TO3	1
3A	5705-09431-00	HEAT SINK	1
4A	20-9729-00	THERMAL COMPOUND 1.5 OUNCE	1
5A	5701-09338-00	TO3 3 MIL MICA INSULATOR	1
6A	4006-01003-B	MS-6-22x1/2-P-PH	2
7A	5853-09591-00	LEAD WIRE #18 AWG 4/3/8 STRIPPED (GRN)	1
8A	5853-09592-00	LEAD WIRE #18 AWG 4/3/8 STRIPPED (WHT)	1
9A	5853-09593-00	LEAD WIRE #18 AWG 4/3/8 STRIPPED (YEL)	1

NOTES:
 1. HEAT SINK COMPOUND MUST BE APPLIED BETWEEN MICA INSULATOR AND HEAT SINK AND BETWEEN MICA INSULATOR AND TRANSISTOR.

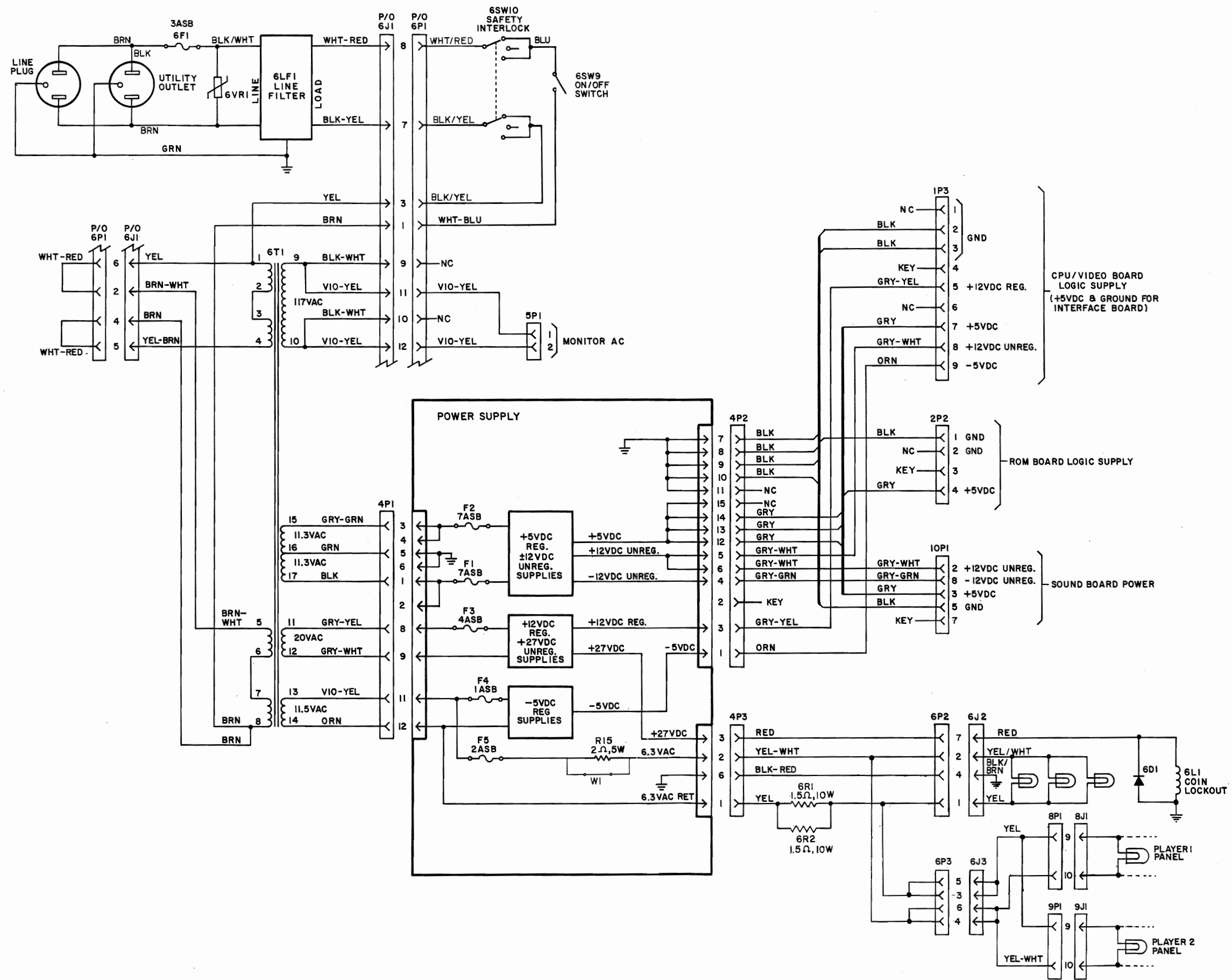
BILL OF MATERIAL

ITEM NO.	PART NO.	PART DESIGNATION	DESCRIPTION	REQ'D NO.
1	5173-09414-00	P.C. BOARD	BARE P.C. BOARD	1
2	5010-09085-00	R4	RESISTOR, 1.5K 5%, 1/4W	1
3	5010-09541-00	R8, R7	RESISTOR, 2.7K 2%, 1/4W	2
4	5010-09508-00	R5	RESISTOR, 270 2%, 1/4W	1
5	5010-09428-00	R3	RESISTOR, 1.5K 2%, 1/4W	1
6	5010-09509-00	R11	RESISTOR, 1.1K 2%, 1/4W	1
7	5010-09510-00	R13	RESISTOR, 12K 2%, 1/4W	1
8	5013-09542-00	R10	RESISTOR, 32K 1%, 1/4W	1
9	5013-09427-00	R1 & R9	RESISTOR 499K 1%, 1/4W	2
10	5013-09426-00	R2	RESISTOR 2.15K 1%, 1/4W	1
11	5012-09429-00	R6	RESISTOR 12.0, 5%, 5W	1
12	5012-09512-00	R14	RESISTOR 27 5%, 5W	1
13	5040-09421-00	C3 & C7	CAPACITOR, 100 MFD, 25V, RADIAL +50% -10%	2
14	5040-09422-00	C2	CAPACITOR, 47 MFD, 50V, RADIAL +50% -10%	1
15	5040-09420-00	C6	CAPACITOR, 1000 MFD, 25V, RADIAL +50% -10%	1
16	5040-09419-00	C12	CAPACITOR, 8,000 MFD, 20V, RADIAL +50% -10%	1
17	5040-09423-00	C4	CAPACITOR, 330 MFD, 10V, RADIAL +50% -10%	1
18	5040-09504-00	C13	CAPACITOR, 4700 MFD, 35V, RADIAL +50% -10%	1
19	5043-09996-00	C5, C8, C11	CAPACITOR, 1 MFD, 50V, AXIAL 25U ±20%	3
20	5043-09065-00	C1	CAPACITOR, 470 PFD, 50V, AXIAL X7R ±10%	1
21	5043-09492-00	C9	CAPACITOR, 100 PFD 50V, AXIAL 52L ±5%	1
22	5040-09506-00	C14	CAPACITOR, 220 MFD, 16V, RADIAL +50% -10%	1
23	5040-09493-00	C10	CAPACITOR, 22 MFD, 10V, RADIAL +50% -10%	1
24	5070-06258-00	D1, D2, D3	DIODE, IN4001	3
25	5100-09418-00	BR1	BRIDGE RECTIFIER, 35AMP 100V	1
26	5100-09513-00	BR2	DIODE BRIDGE, 4.0A, 50V	1
27	5100-09514-00	BR3	DIODE BRIDGE 1.0A, 50V	1
28	5731-09432-00	F1, F2	FUSE, 7A 5B	2
29	5731-06314-00	F3	FUSE, 4A, 5B, 250 V.	1
30	5731-06569-00	F4	FUSE, 1A, 5B	1
31	8-8416-00		HEAT SINK ASSEMBLY (SEE A)	1
32	5705-09543-00		HEAT SINK	1
33	5791-09074-00	4J2	HEADER, 15 PIN, 09-65-1151	1
34	5791-09043-00	4J1	HEADER, 12 PIN, 09-65-1121	1
35	5250-09515-00	Q2	VOLTAGE REGULATOR 7905	1
36	5460-09424-00	IC1, IC2	VOLTAGE REGULATOR 783	2
37	5824-09248-00	TP2, TP3, TP5, TP6	TERMINAL #1502-1 (TEST POST)	4
38	20-9729-00		THERMAL COMPOUND .02 OUNCE	AR
39	4005-01051-07		5-40x1/16 RH, MECH. SCREW	6
40	4405-01112-00		5-40 HEX NUT	6
41	5161-09552-00	Q1	2N3055 TRANSISTOR NPN	1
42	5731-09651-00	F5	FUSE, 5A, 5B	1
43	5791-09038-00	4J3	HEADER, 6 PIN, 09-65-1061	1
44	5012-09544-00	R15	RESISTOR, 2.0, 5%, 5W	1
45	5010-09416-00	R16, R18	RESISTOR, 470, 5%, 1/4W	2
46	5010-09314-00	R17	RESISTOR, 1.2K, 5%, 1/4W	1
47	5701-09538-00		INSULATOR, MICA, 3mil	1
48	5671-09019-00	LED1, LED2, LED3	LED, RED	3
49	03-7598		INSULATOR, NYLON	2
50	03-7520		TIE WRAP	1
51	5732-09178-00		FUSE HOLDER	10



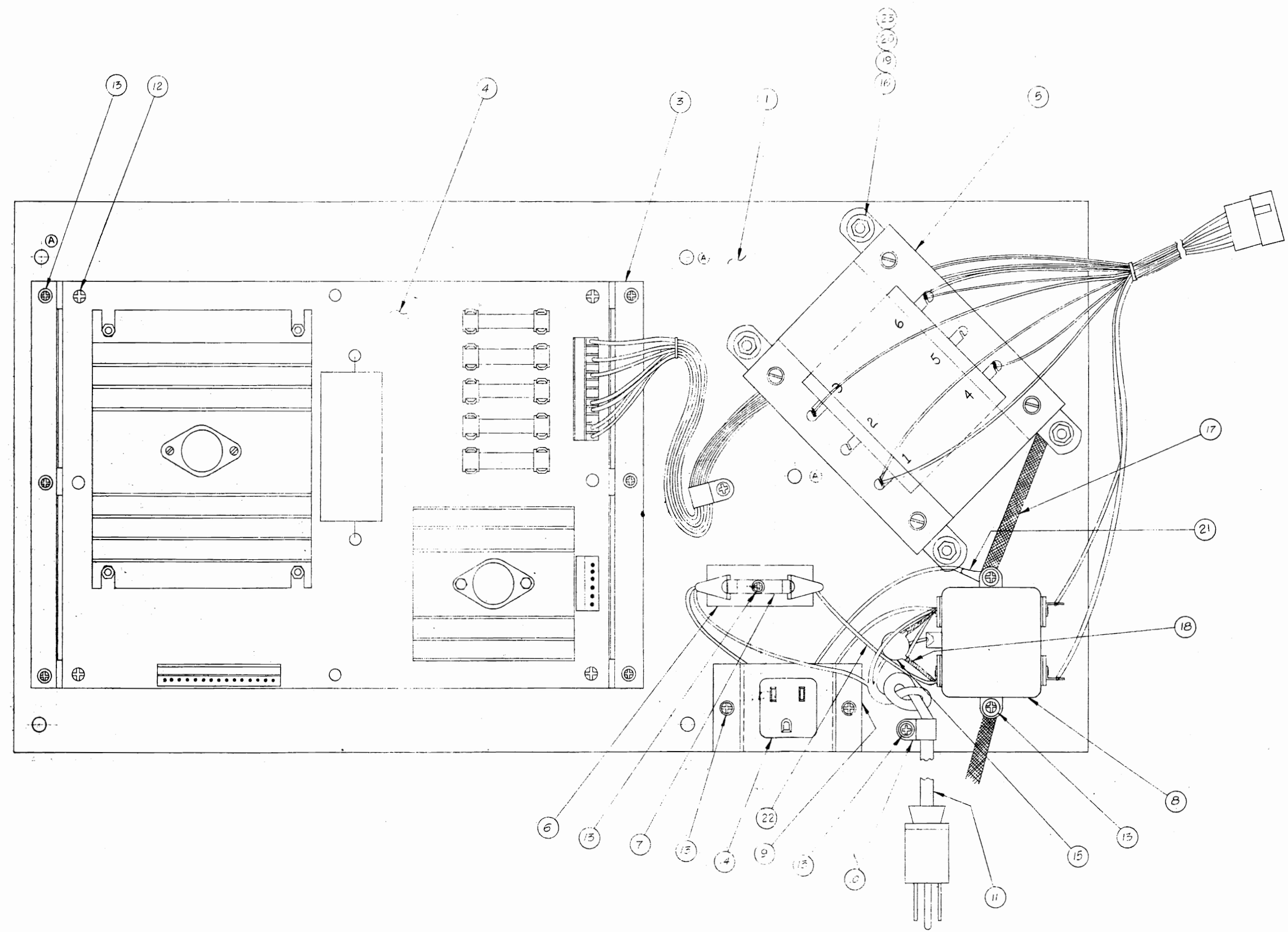
NOTE:
W1 CONNECTED ONLY FOR COCKTAIL
APPLICATIONS.

D8359 Power Supply Board
Schematic Diagram



Power Wiring Diagram

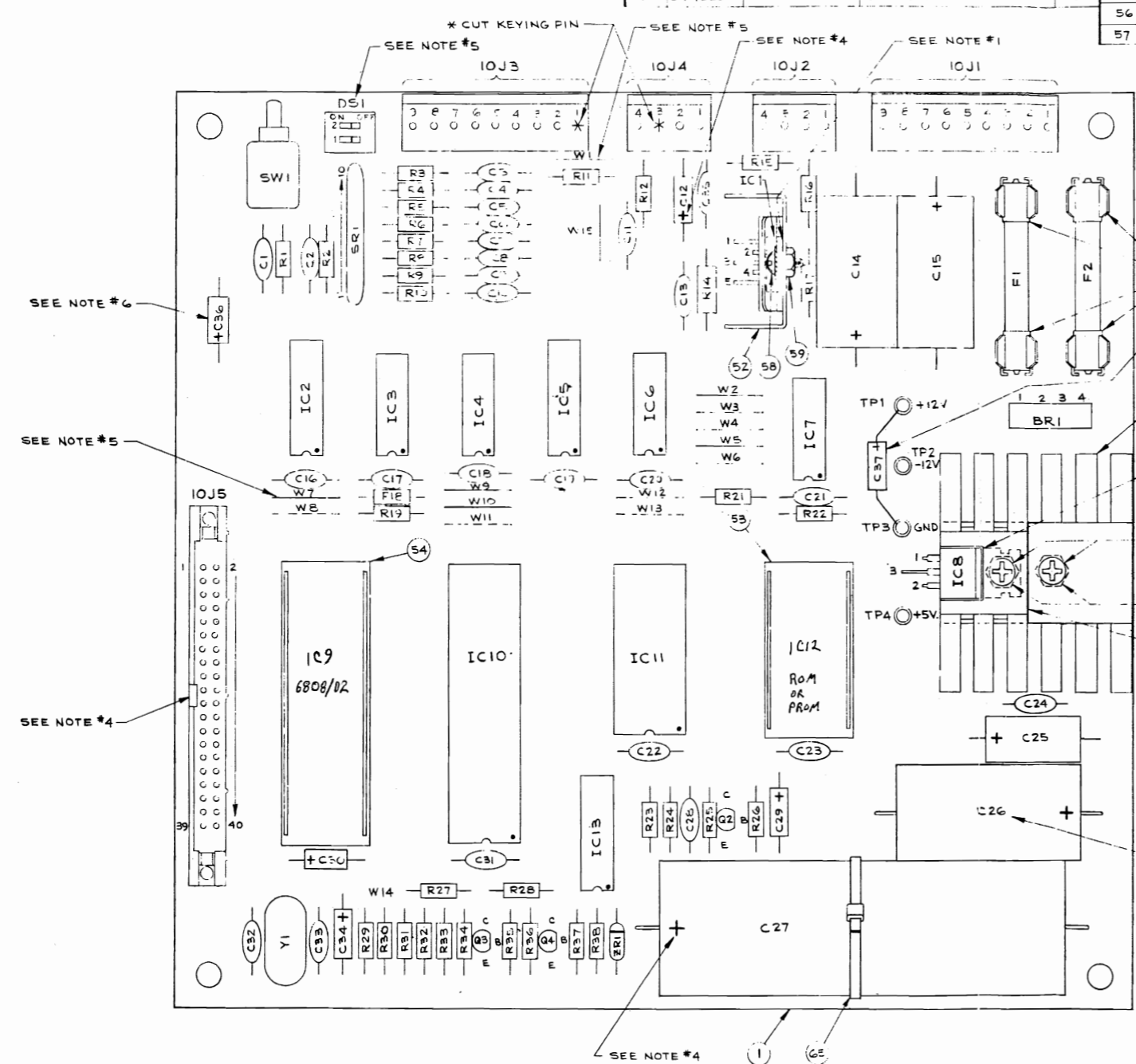
BILL OF MATERIAL			
ITEM	PART NO.	DESCRIPTION	QTY.
1	11-595	POWER SUPPLY MTS. BD	1
2			
3	01-7002	POWER SUPPLY SUPPORT BRKT	2
4	D-8352	POWER SUPPLY BOARD	1
5	C-8623	VIDEO TRANSFORMER ASS'Y	1
6	B-6428-1	FUSE MOUNT ASS'Y.	1
7	5731-08633-00	LINE FUSE 3AMP 115V	1
8	5732-08895-00	LINE FILTER 5A	1
9	01-6948	OUTLET MTS BRACKET	1
10	03-6048-6	CABLE CLAMP-3/8	2
11	SEE NOTE #2	LINE CORD	1
12	4008-0018-04	MS# 2-32 X 1/2 P-RH	4
13	1109-0003-08	MS# 2-32 X 1/2 P-RWH-A	12
14	5851-0238-00	WIRE SNAP-IN OUTLET	1
15	SEE NOTE #1	VARIATOR	1
16	440-0141-00	NUT 10-24 HEX	4
17	20-9007-2	6 INCH BRAIDED GROUND WIRE	1
18	20-9256	1 INCH SLEEVING INSULATION	2
19	4701-00004-00	#10 SPLIT WASHER	4
20	4700-00060-00	13/16 D. 1/2 D.D. 16 GA. FLAT WASHER	4
21	5825-06523-00	TERMINAL LUGS	1
22	5852-04875-00	BLACK 18 AWG TUMER WIRE-25L	1
23	4310-0141-00	# 0-24 CARRIAGE BOLT X 1/4"	4



NOTES:
 1. FOR 115V A.C. 130V. VARIATOR # 5017-09044 IS USED.
 FOR 230V. A.C. A 275V. VARIATOR # 5017-09063 IS USED.
 2. LINE CORD PART NO.
 5850-08728-00 U.S. DOM
 5850-06206-00 12 FT. EUROPE
 5850-08737-00 AUS.
 5850-08743-00 U.S.L.A.
 5850-09123-00 12 FT. FRANCE
 5850-09131-00 ANG 18-12 JAPAN

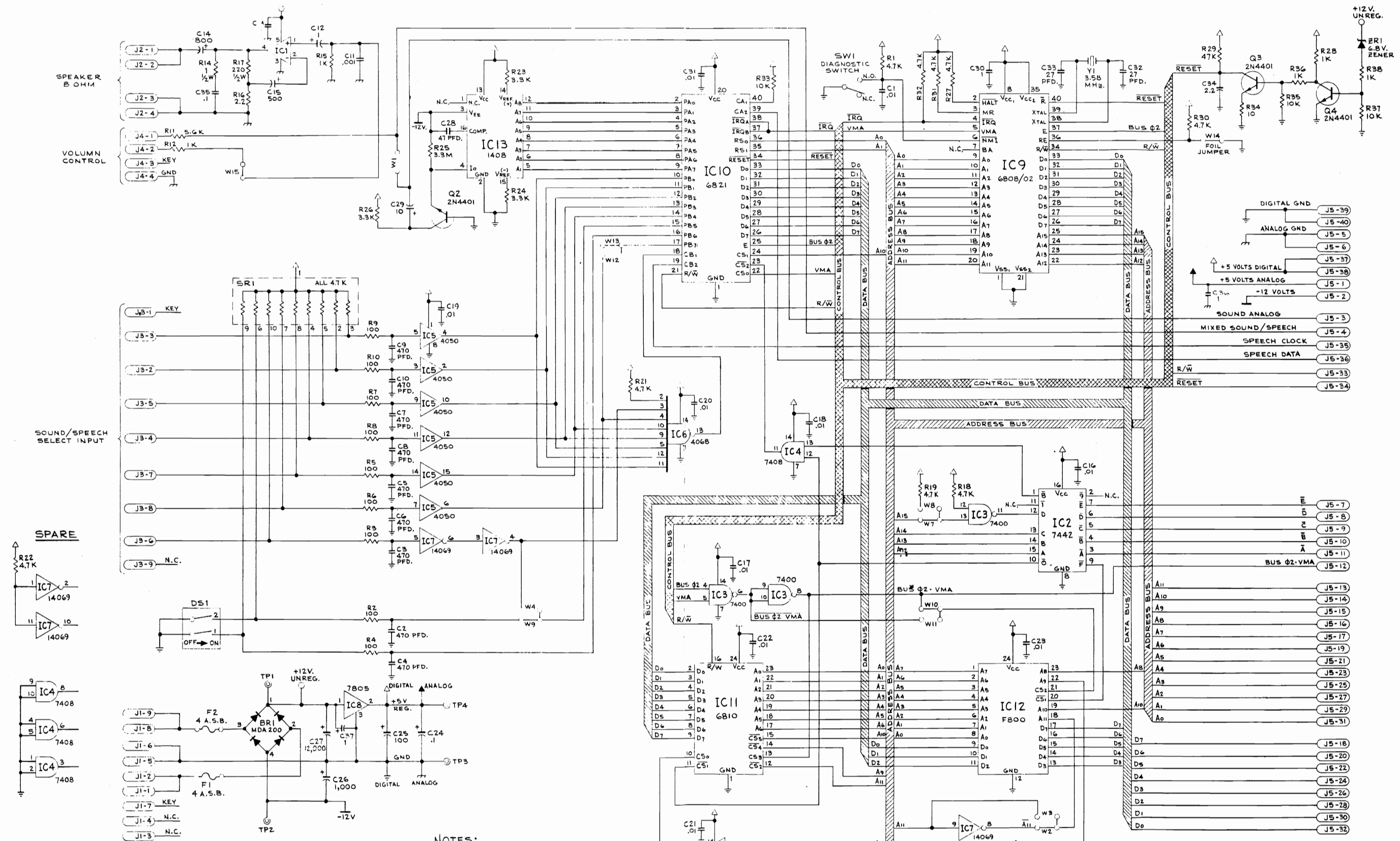
ITEM NO.	PART NO.	PART DESIGNATION	DESCRIPTION	REQ'D. NO.	ITEM NO.	PART NO.	PART DESIGNATION	DESCRIPTION	REQ'D. NO.
58			6-32 x 3/8" BINDER HEAD SCREW	3	48	5A-6314	F1, F2	4 AMP SLOW BLOW FUSE	2
59			6-32 HEX NUT	3	49	5A-9178		FUSEHOLDER	4
60		W1, W2, W6, W7, W9, W10, W15	WIRE JUMPER 22 GAUGE WIRE WITH INSULATION	7	50	5A-9172		HEAT SINK THERMALLOY #6072B	1
61	PA-924B	TP1 THR TPA	TERMINAL #1502-1	4	51	5A-9173		HEAT SINK THERMALLOY #6071B	1
62	5A-9363	R11	RESISTOR, FC, 15.6 K OHM 5% 1/4 WATT	1	52	5A-9199		HEAT SINK THERMALLOY #6030	1
64	5A-9362	SRI	RESISTOR, 4.7 K OHM 10 PIN SIP	1	53	5A-9004		24 PIN SOCKET	1
65	3A-7520-1		TIE WRAP	1	54	5A-8985		40 PIN SOCKET	1
					55	5A-9027	10J1, 10J3	9, PIN MALE CONNECTOR	2
					56	5A-9028	10J2, 10J4	4 PIN MALE CONNECTOR	2
					57	5A-9349	10J5	40 PIN RIBBON HEADER	1

BILL OF MATERIAL				
ITEM NO.	PART NO.	PART DESIGNATION	DESCRIPTION	REQ'D. NO.
1	1C-2001-146-3		BARE P.C. BOARD	1
2	5A-9156	IC1	TDA2002 V AUDIO AMPLIFIER	1
3	5A-9012	IC2	7442 BCD-DEC DECODER	1
4	5A-9073	IC3	7400 QUAD 2 INPUT NAND	1
5	5A-8973	IC4	7408 QUAD 2 INP. AND GATE	1
6	5A-9153	IC5	4050 BUFFER	1
7	5A-9154	IC6	4068 8 INPUT NAND GATE	1
8	5A-8971	IC7	14069 HEX INVERTER	1
9	5A-9157	IC8	7805 5 VOLT REG. W/TC220 CASE	1
10	5A-8972	IC10	6821 P.I.A.	1
11	5A-9003	IC11	6810 RAM	1
12	5A-9152	IC13	1408 D/A CONVERTER	1
13	5C-893B	Q2, Q3, Q4	2N4401 NPN TRANSISTOR	3
14				
15	5A-9018	ZR1	1N5996 6.8V. ZENER DIODE	1
16				
17	5A-9158 OR 5A-9357	BR1	MDA 200/3N253 BRIDGE RECTIFIER	1
18	5A-9020	Y1	3.58 MHz CRYSTAL	1
19	5B-8991	R1, R18, R19, R21, R22, R27, R30, R31, R32	RESISTOR, FC, 4.7K OHM 5% 1/4 WATT	9
20	5B-9036	R2 THRU R10	RESISTOR, FC, 100 OHM 10% 1/4 WATT	9
21	5A-8984	R12, R15, R28, R36, R38	RESISTOR, FC, 1K OHM 10% 1/4 WATT	5
22	5A-9181	R14	RESISTOR, FC, 1 OHM 10% 1/2 WATT	1
23	5A-9161	R16	RESISTOR, FC, 2.2 OHM 10% 1/4 WATT	1
24	5A-9361	R17	RESISTOR, FC, 220 OHM 10% 1/2 WATT	1
25				
26	5B-8983	R23, R24, R26	RESISTOR, FC, 3.3K OHM 10% 1/4 WATT	3
27	5A-9179	R25	RESISTOR, FC, 3.3M OHM 10% 1/4 WATT	1
28	5A-9359	R29	RESISTOR, FC, 47K OHM 5% 1/4 WATT	1
29	5B-8817	R33, R35, R37	RESISTOR, FC, 10K OHM 10% 1/4 WATT	3
30	5B-9039	R34	RESISTOR, FC, 10 OHM 10% 1/4 WATT	1
31	5A-8980	C1, C16 THRU C23, C31	CAPACITOR, CERAMIC, .01 MFD. 50 V. ±20%	11
32	5A-9065	C2 THRU C10	CAPACITOR, CERAMIC, 470 PFD. 50 V. ±20%	9
33	5A-9345	C11	CAPACITOR, CERAMIC, .001 MFD. 20% 100 V.	1
34	5A-9365	C12, C30, C36	CAPACITOR, ELECTROLYTIC 1 MFD. 6.3 V. 10% ±50%	3
35	5A-8996	C13, C24, C35	CAPACITOR, CERAMIC, .1 MFD. 50 V. ±20%	3
36	5A-9165 OR 5A-9165-1	C14	CAPACITOR, ELECTROLYTIC, 500 MFD. 16 V. OR 1,000 MFD. 15 V. ±20%	1
37	5A-9164 OR 5A-9164-1	C15	CAPACITOR, ELECTROLYTIC, 500 MFD. 15 V. OR 470 MFD. 25 V. ±20%	1
38	5A-8986	C25	CAPACITOR, ELECTROLYTIC, 100 MFD. 10 V. ±20%	1
39	5A-8893	C26	CAPACITOR, ELECTROLYTIC, 1,000 MFD. 25 V. ±20%	1
40	5A-9046	C27	CAPACITOR, ELECTROLYTIC, 12,000 MFD. 16 V. ±20%	1
41	5A-9180	C28	CAPACITOR, CERAMIC, 47 PFD. 1K V. ±20%	1
42	5A-9343	C29	CAPACITOR, ELECTROLYTIC, 10 MFD. 25 V. LOW LEAK 120%	1
43	5A-9169	C32, C33	CAPACITOR, CERAMIC DISC, 27 PFD. 1K V. ±10%	2
44	5A-9163	C34	CAPACITOR, TANTALUM, 2.2 MFD. 15 V. ±20%	1
45	5A-9031	C37	CAPACITOR, TANTALUM, 1 MFD. 25 V. ±20%	1
46	5A-9024	SW1	MOMENTARY SWITCH 5PDT	1
47	5A-9330	DS1	2 STD. DIP SWITCH	1



- NOTES:**
- USE THERMAL COMPOUND BETWEEN IC'S AND HEAT SINK.
 - CAUTION: AVOID STATIC DISCHARGE DAMAGE TO MOS LOGIC.
 - SYMBOLS SHOWN ON COMPONENTS ARE FOR REFERENCE ONLY. DO NOT SCREEN OR STAMP.
 - OBSERVE INDEX MARK OF ALL INTEGRATED CIRCUITS, DIODES DI, D2, AND ZR1.
 - CAPACITORS C12, C14, C15, C25, C24, C27.
 - CONNECTORS 10J1, 10J2, 10J3, 10J4, 10J5.
 - POSITION OF TRANSISTORS Q1, Q2, Q3, Q4.
 - DS1 - 1 SELECTS SOUNDS/NOTES
 - 2 SELECTS SPEECH/NO SPEECH (W9/W4)
 - W1 - SPEECH MODULE STATUS
 - IN - SPEECH MODULE NOT ATTACHLD
 - OUT - SPEECH MODULE ATTACHED
 - W14 - MPU INTERNAL RAM ENABLE
 - W7 & W8 - MEMORY MAP CONTROL
 - W12 & W13 - PB7 STATUS CONTROL (W13 NEVER USED)
 - W4 & W9 - PB5 STATUS CONTROL
 6. SOLDERED ON TOP OF BOARD
 - INSTALL THESE JUMPERS FOR FOLLOWING GAMES:
 W15, W6, W12, W4, W1, W3, W6, W11 FOR:
 WORLD CUP
 DISCO FEVER
 CONTACT
 POKER/NO
 PHOENIX
 ARISTOCRAT SHUFFLE
 POMPILI SHUFFLE
 KING TUT SHUFFLE
 TAURUS SHUFFLE
 SOUND ROM 1
 - W15, W8, W12, W4, W1, W2, W5, W10, FOR:
 FLASH
 STELLAR WARS
 TRI ZONK
 TIME WARP
 SOUND ROM 1
 5A-9198
 - W7, W15, W9, W1, (SEE NOTE #5) W2, W5, W10 FOR:
 GORGAR; SOUND ROM 2 - 5A-9196
 - IC 12 SELECTION STRAPPING:
 (2K x 8) (1K x 8) (512 x 8)
 W2 W3 W3
 W5 IN W3 IN W5 IN
 W6 W6 W6

UNLESS OTHERWISE SPECIFIED		WILLIAMS ELECTRONICS, INC.	
FRACTIONAL	21/64"	HEADQUARTERS OF THE BUSINESS GROUP	
DECIMAL	±.0005"	3401 N. CALIFORNIA - CHICAGO, ILL. 60618	
HOLE DIA.	±.005 - .0005"	NAME	
ANGULAR	±.1/2°	SOUND BOARD SUB-ASSEM	
CONCENTRICITIES	±.1/8" DIA.	MATERIAL	
SCREW THREADS	CLASS 2	HEAT TREATMENT	
DATE	9-23-79	SCALE	2:1
APP'D.	RGA	DATE	9-23-79
SCALE	2:1	DATE	9-23-79
D-822B			



NOTES:
 1. ALL RESISTORS, 1/4 WATT UNLESS OTHERWISE NOTED.
 2. ALL CAPACITORS, MFD. UNLESS OTHERWISE NOTED.

