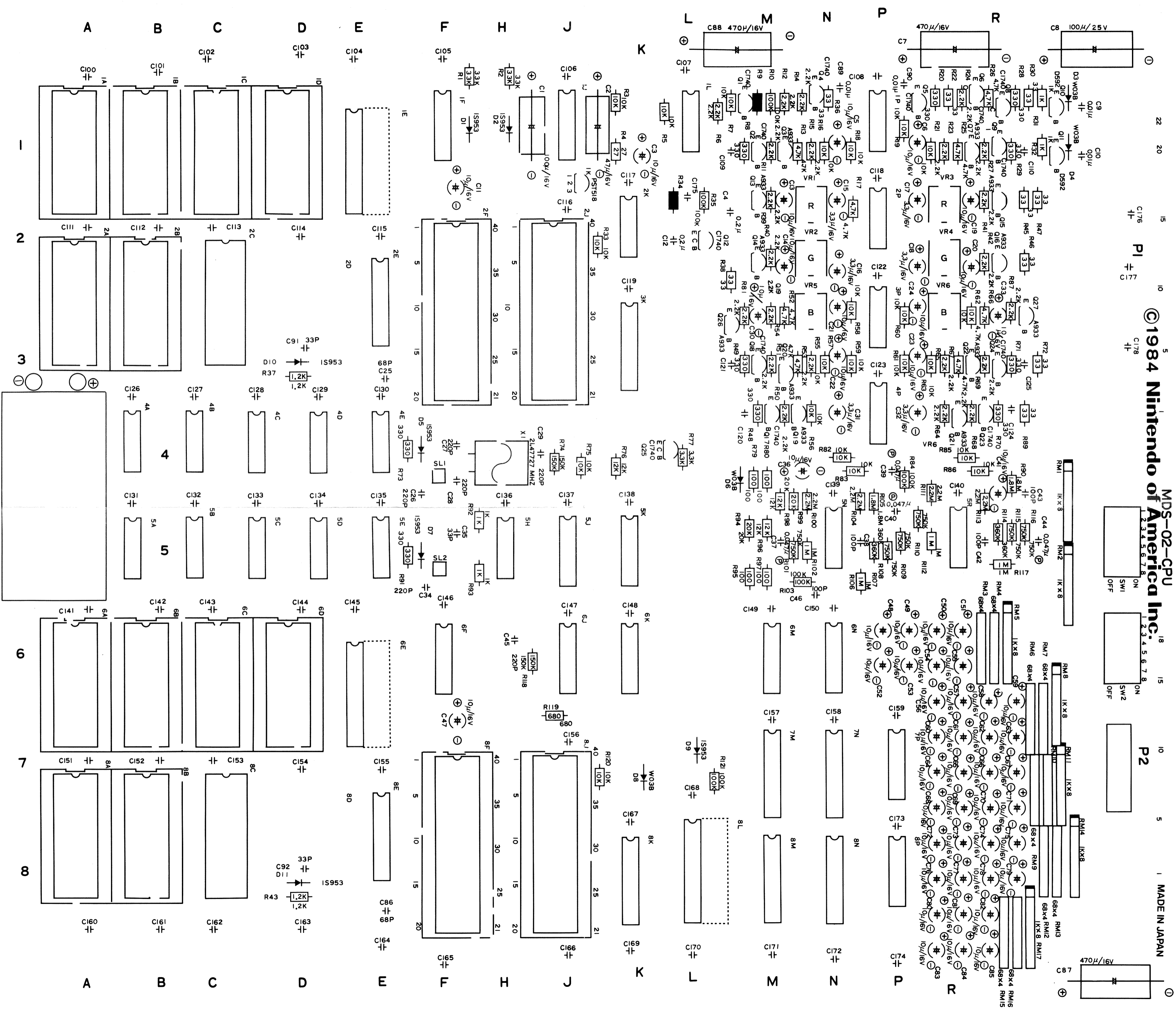
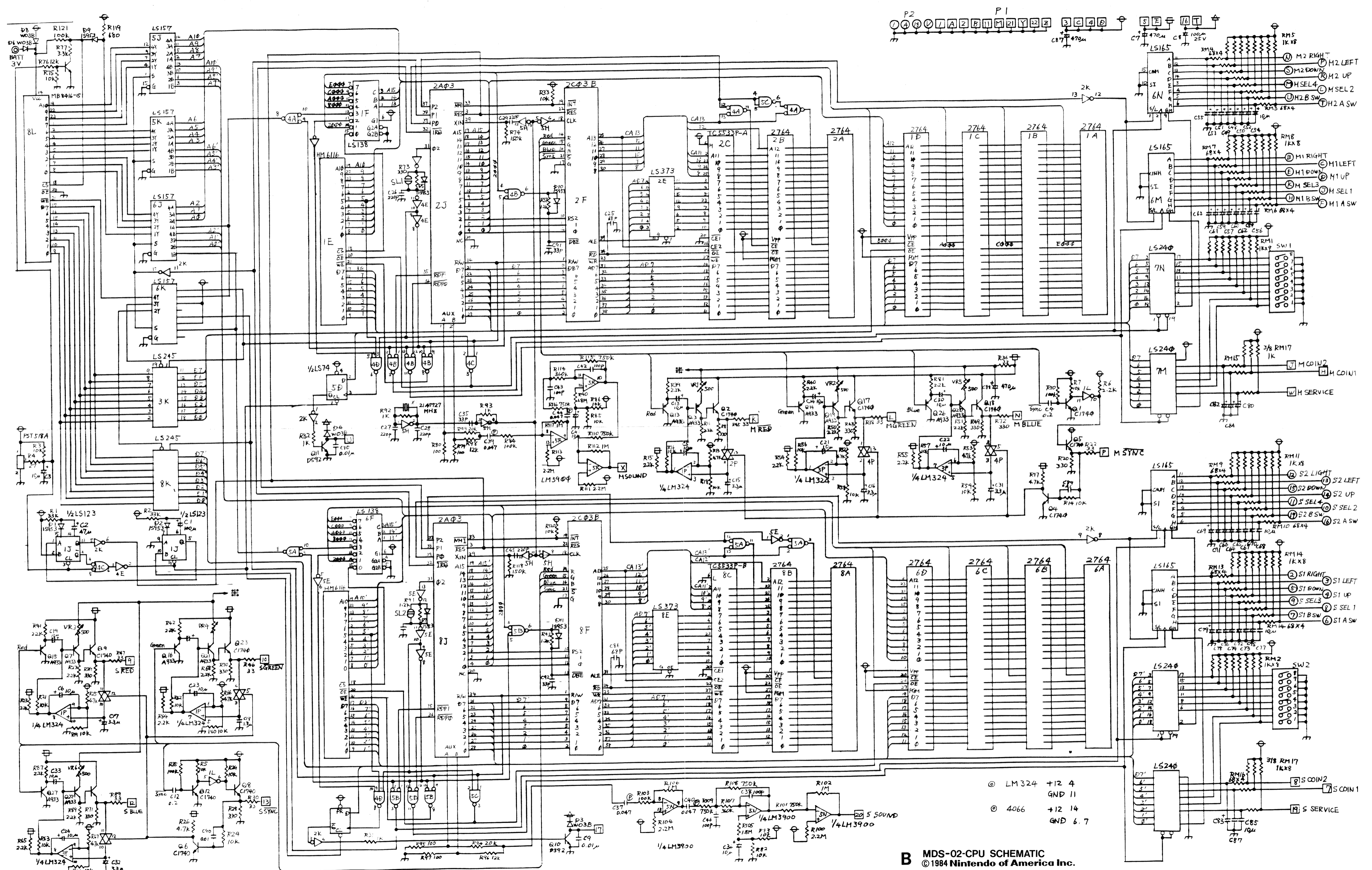


©1984 Nintendo of America Inc.

MDS-02-CPU

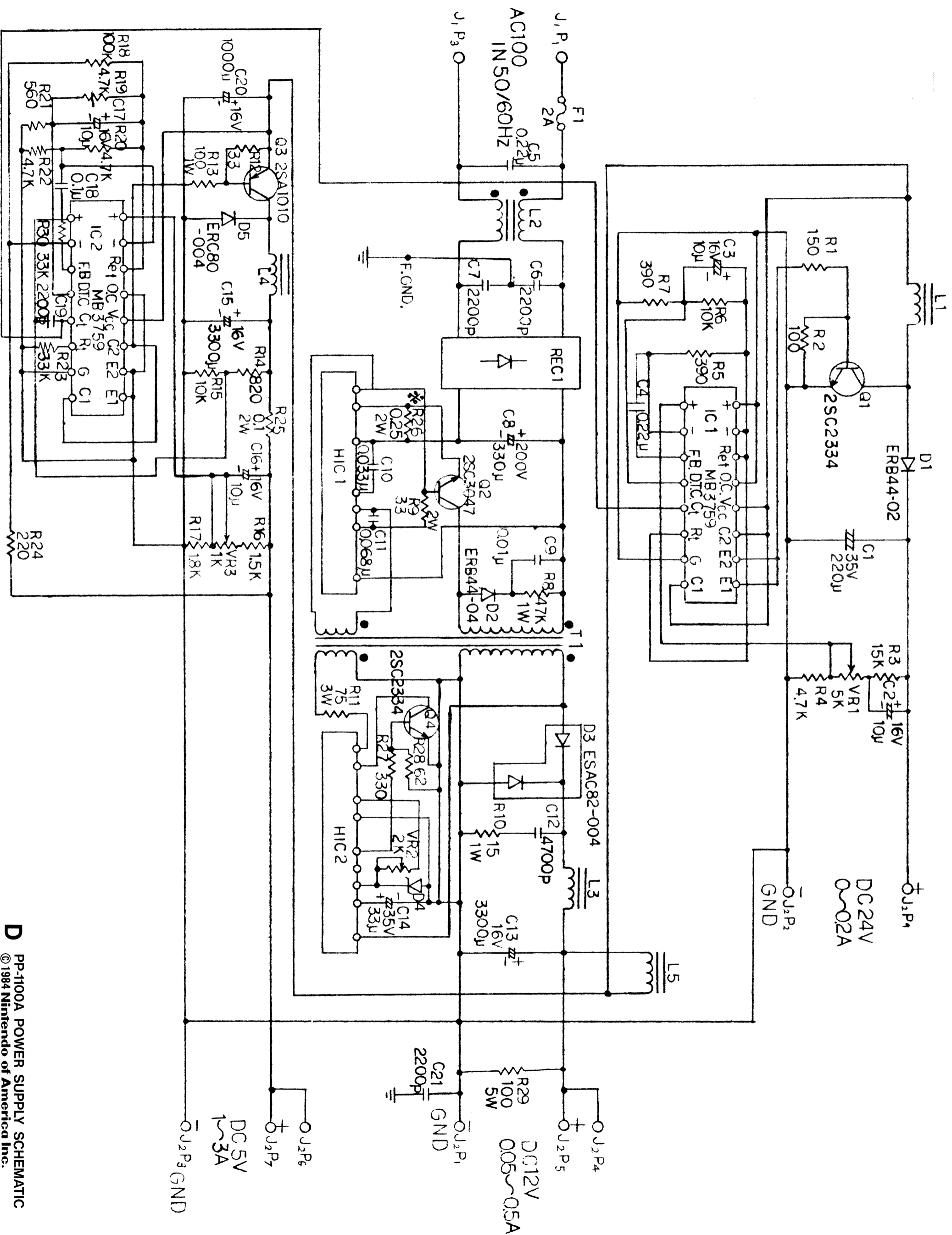
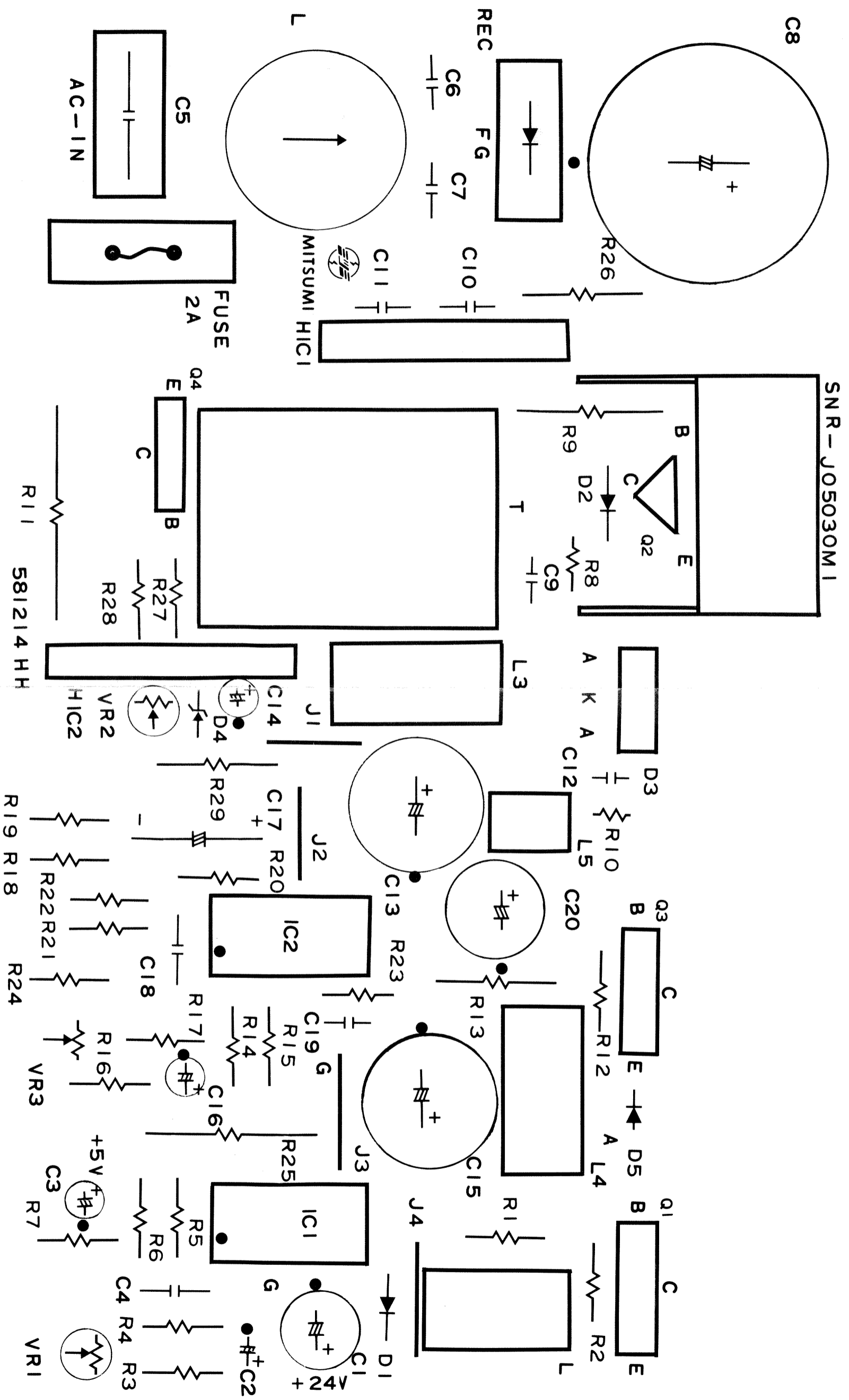
MADE IN JAPAN

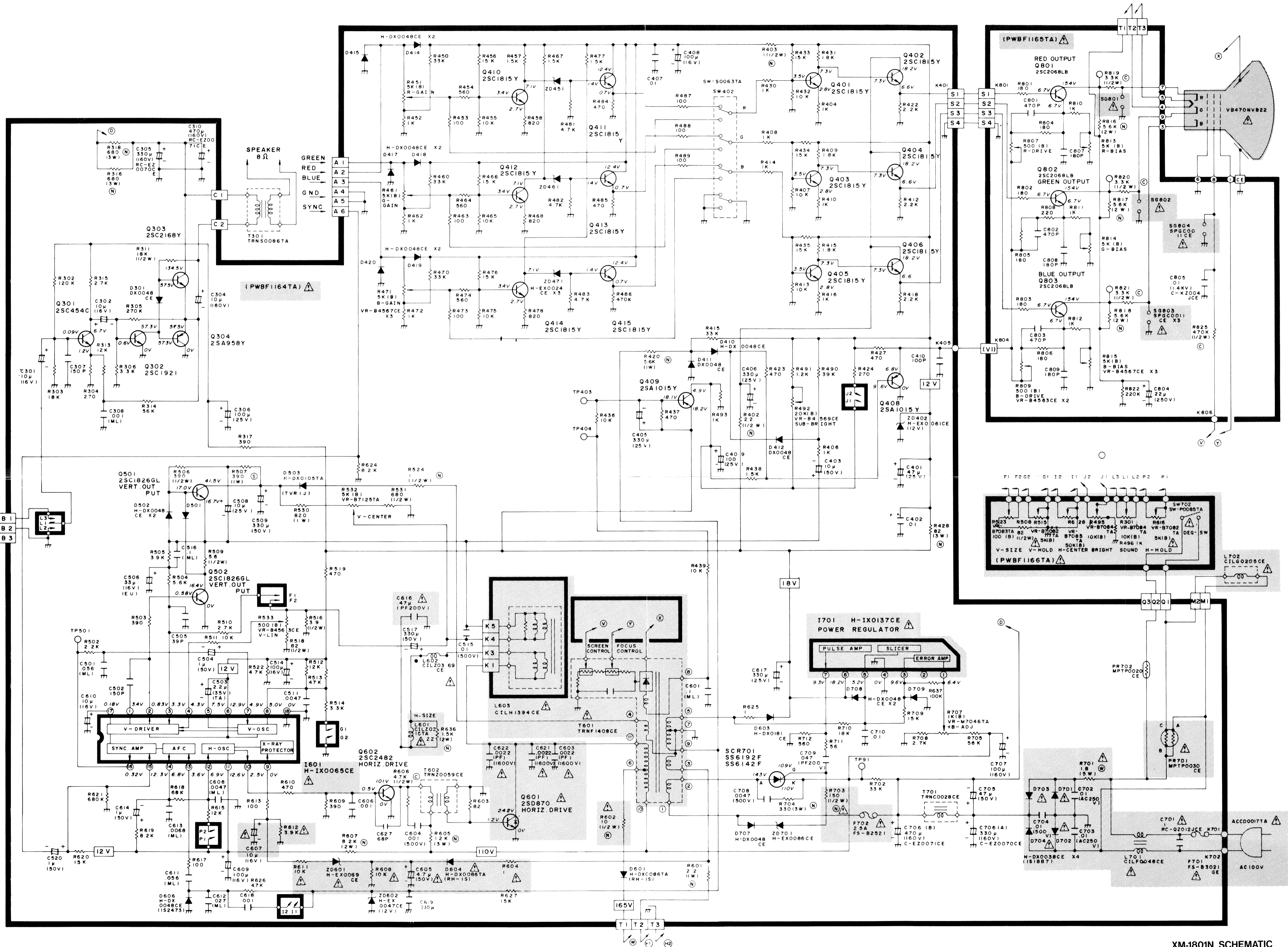




- ⊙ LM324 +12 4
GND 11
- ⊙ 4066 +12 14
GND 6 7

B MDS-02-CPU SCHEMATIC
© 1984 Nintendo of America Inc.





XM-1801N SCHEMATIC
© 1984 Nintendo of America Inc.