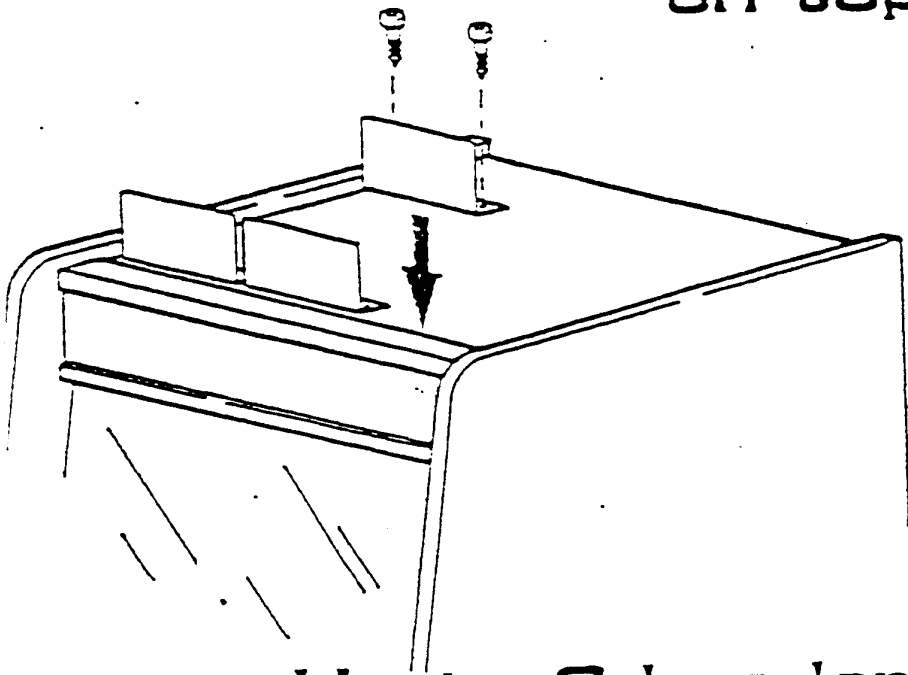


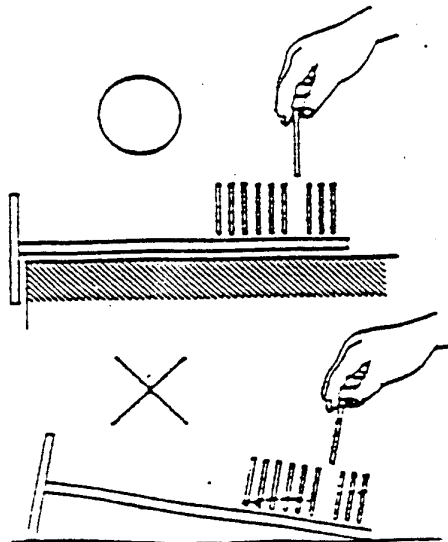
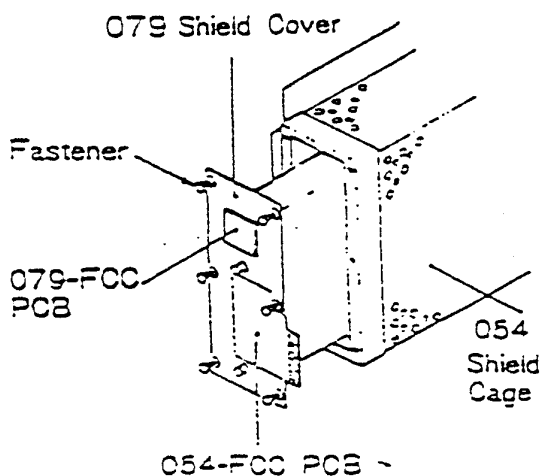
Install NEW headers as shown on top of cabinet



Up to 3 headers can be used

Game PCB Removal and ROM PCB Exchange

- Make sure the Power On/Off Switch is "Off" position!!
- Open the Back Door.
- Before removing Game PCB or exchanging ROM PCB, discharge your static electricity by touching Shield Cage with your hand.
- Remove the 56-pin edge connector from the right side of the 054-FCC PCB on the 079 Shield Cover Ass'y.
- Pull out 6 Fasteners located on perimeter of the 079 Shield Cover. See Fig. 15.
- Remove the Game PCB from the Shield Cage by carefully sliding it straight out of the wooden slots in the Shield Cage.



Note : Lay PCB flat on table with 079 Shield Cover hanging off table as shown.