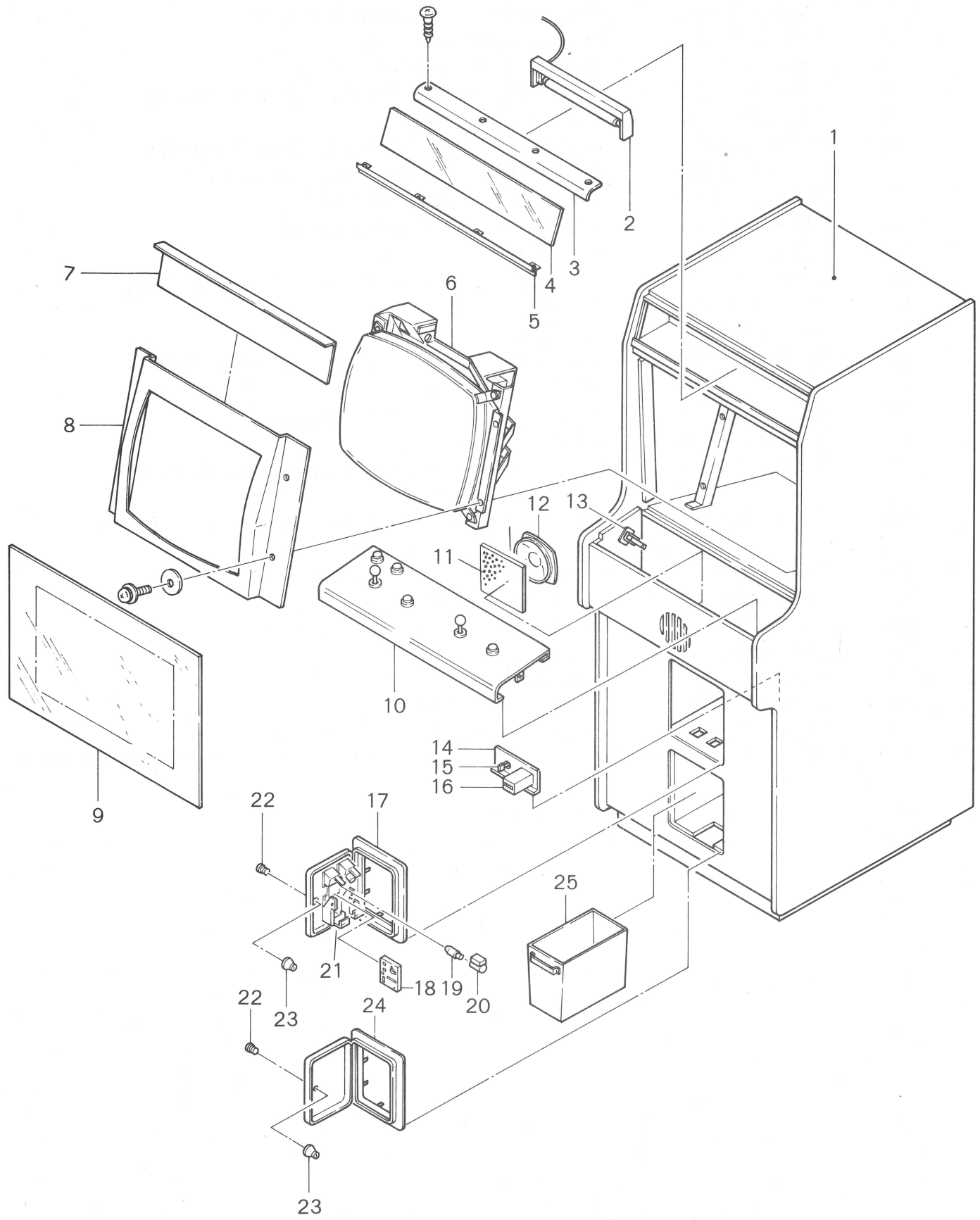


Name and Location of each part and Parts List

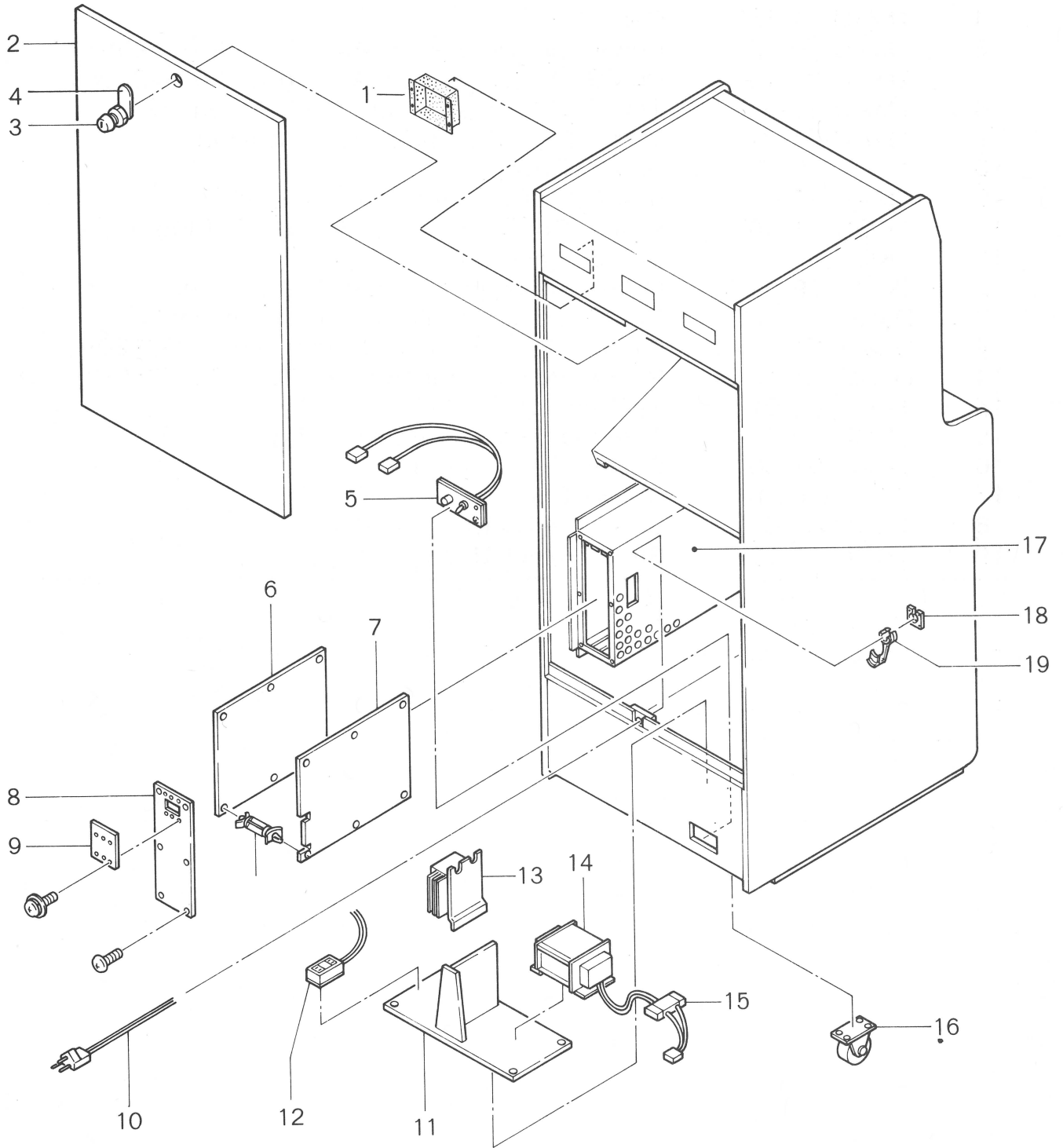


Front View of Game Cabinet

PARTS LIST: TMA1-UP Game Cabinet Assembly

ITEM	PART No.	DESCRIPTION
1	TMAU-13-03	Body (Wooden Game Cabinet)
2	TKGU-01-29	Fluorescent Lamp Assy.
3	TMAU-11-26	Name Plate Retainer 668L
4	TMAU-12-12	TMA-US Display Panel (Name Plate)
5	TMAU-11-11	Center Trim 668L
6	TPPU-20-00 or TKGU-20-00	Video Monitor [32 Type] 20-EZV (R-C) Video Monitor [31 Type] 20-EZV (R-B)
7	TMAU-13-12	Blind Cardboard (337W)
8	TMAU-13-11	044 Black Cardboard Bezel
9	TMAU-12-13	TMA-US Front Screen
10	TMAU-12-11	TMA-US Operation Panel (Panel Only)
11	TKGU-01-49	Speaker Grill
12	TKGU-01-43	Speaker
13	TKGU-01-31	Operation Panel Clamp A (2 Required)
14	TMAU-11-20	CS Plate 120W
15	TKGU-01-33	Service Switch (with Button)
16	TKGU-01-11	Game Counter
17	TMAU-14-17	Service Door ADD-S2: Order By Currency
18	TMA-14-18	Coin Selector: Order By Currency
19	TMAU-34-17	Lamp BA-9S 6.3V 0.15A
20	TMAU-34-16	Lamp Socket BA-9S
21	TMAU-34-19	Micro-switch ADD D2MC-5F1
22	TMAU-14-12	Door Lock
23	TMAU-11-14	Cam B31R
24	TMAU-14-11	Cash Door ADD
25	TMAU-11-27	Cash Box ADD

PARTS LIST TMA-1-UP

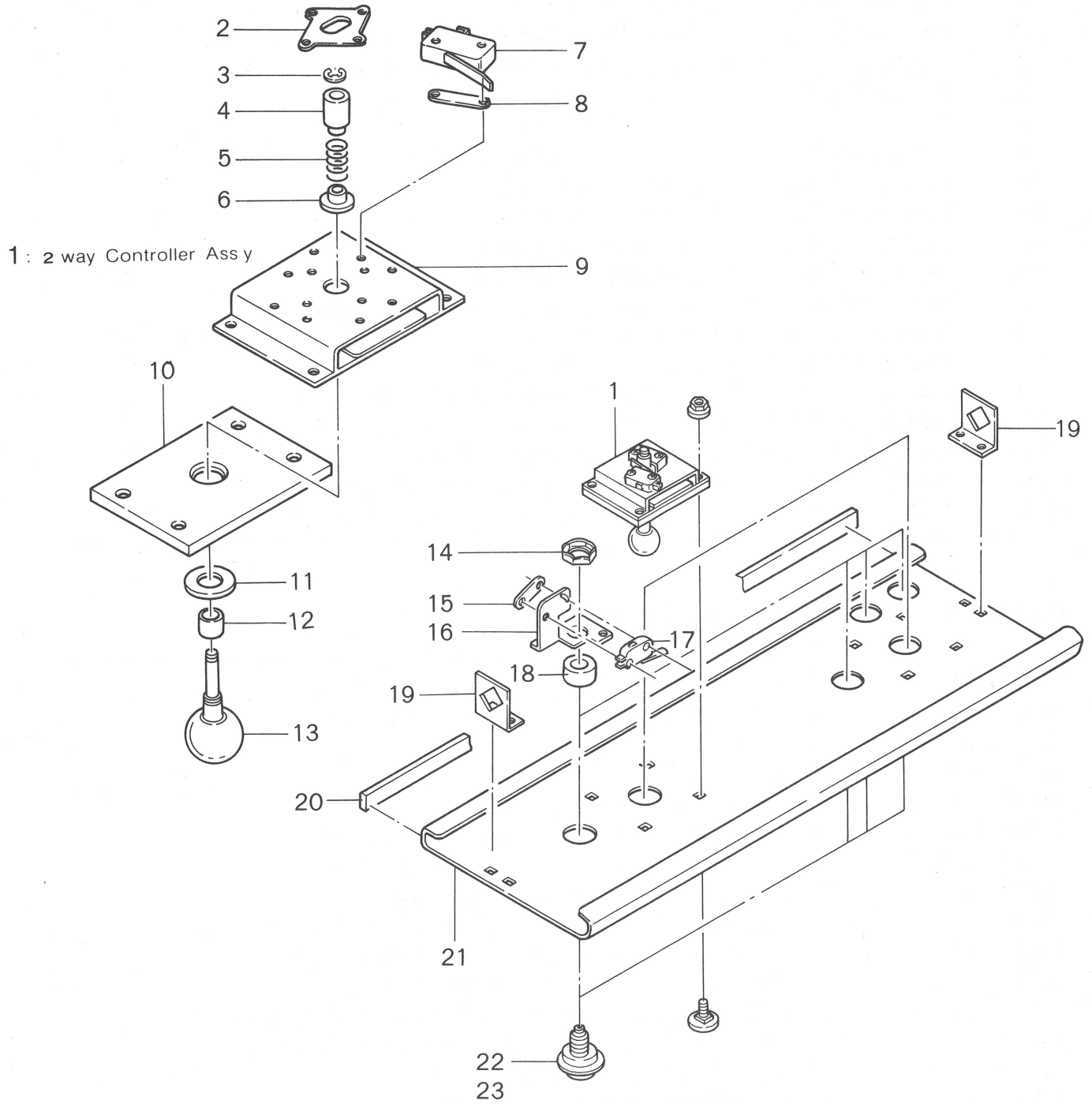


Rear View of Game Cabinet

PARTS LIST: TMA1-UP Game Cabinet Assembly

ITEM	PART No.	DESCRIPTION
1	TKGU-01-61	Vent Grill
2	TMAU-13-15	Rear Panel
3	TMAU-14-14	Lock K6510
4	TMAU-11-15	Cam A
5	TMAU-30-12	Power On/Off Switch Assy. (For 90~120V)
	TMAU-30-13	Power On/Off Switch Assy. (For 200~240V)
6	TMAU-22-01	TMA1-VIDEO Complete PCB Assembly
7	TMAU-21-01	TMA1-CPU Complete PCB Assembly
8	TPPU-01-01-11	Shield Cover
9	TMAU-23-01	044-FCC Complete PCB Assembly
10	TKGU-01-08	Power Cord: Order By Voltage & Plug Type
11	TKGU-01-01-02	Transformer Base
12	TKGU-09-01-02	Outlet Through Isolation Transformer
13	DJRU-18-01	PP-7B-Complete Power Supply Assembly
14	DJRU-19-01-01	PT-821B Power Transformer (For 90~120V)
14	DJRU-09-01-01	PT-8A Power Transformer (For 200~240V)
15	TKGU-09-01-03	Terminal Block 6-Position Type
15	TKGU-19-01-03	Terminal Block 4-Position Type
16	TKGU-01-30	Caster (2 Required)
17	TPPU-01-01-10	Shield Cage
18	TKGU-01-65	Strain Relief Bushing Plate
19	TKGU-01-10	Strain Relief Bushing

PARTS LIST TMA-1-UP



Operation Panel Assembly

PARTS LIST: TMA1-UP Operation Panel Assembly

ITEM	PART No.	DESCRIPTION
1	TMAU-14-16	Complete 2 way Controller Assy.
2	TMAU-11-17	2 way Guide Plate
3	TKGU-23-23	E Ring 4
4	TKGU-23-21	Switch Collar
5	TKGU-23-22	Lever Spring
6	TKGU-23-20	Spring Stopper
7	TKGU-23-13	Micro-switch VL12L (Bent) (2 Required)
8	TKGU-23-17	Switch Spacer (2 Required)
9	TKGU-23-16	Bearing Bracket
10	TMAU-12-15	Lever Plate
11	TMAU-12-14	Control Knob Plate 28D
12	TMAU-12-16	Controller Knob Collar 8L
13	TMAU-11-18	Knob with Shaft 80.5L
14	TKGU-23-34	Pal Nut (4 Required)
15	TKGU-23-26	Nut Plate (4 Required)
16	TKGU-23-12	Switch Button Bracket (4 Required)
17	TMAU-34-18	Micro-switch VL12L (Straight) (4 Required)
18	TMAU-12-18	Collar 34×28×15H
19	TMAU-11-19	Operation Panel Fastener B 38W
20	TMAU-12-17	Black Sponge 2×10×660L
21	TMAU-12-11	TMA-US Operation Panel
22	TKGU-23-31	Blue Button Assy. (For 1P, 2P)
23	TKGU-23-32	Orange Button Assy. (For Jump)

PARTS LIST: TMA1-UP Wiring Harness

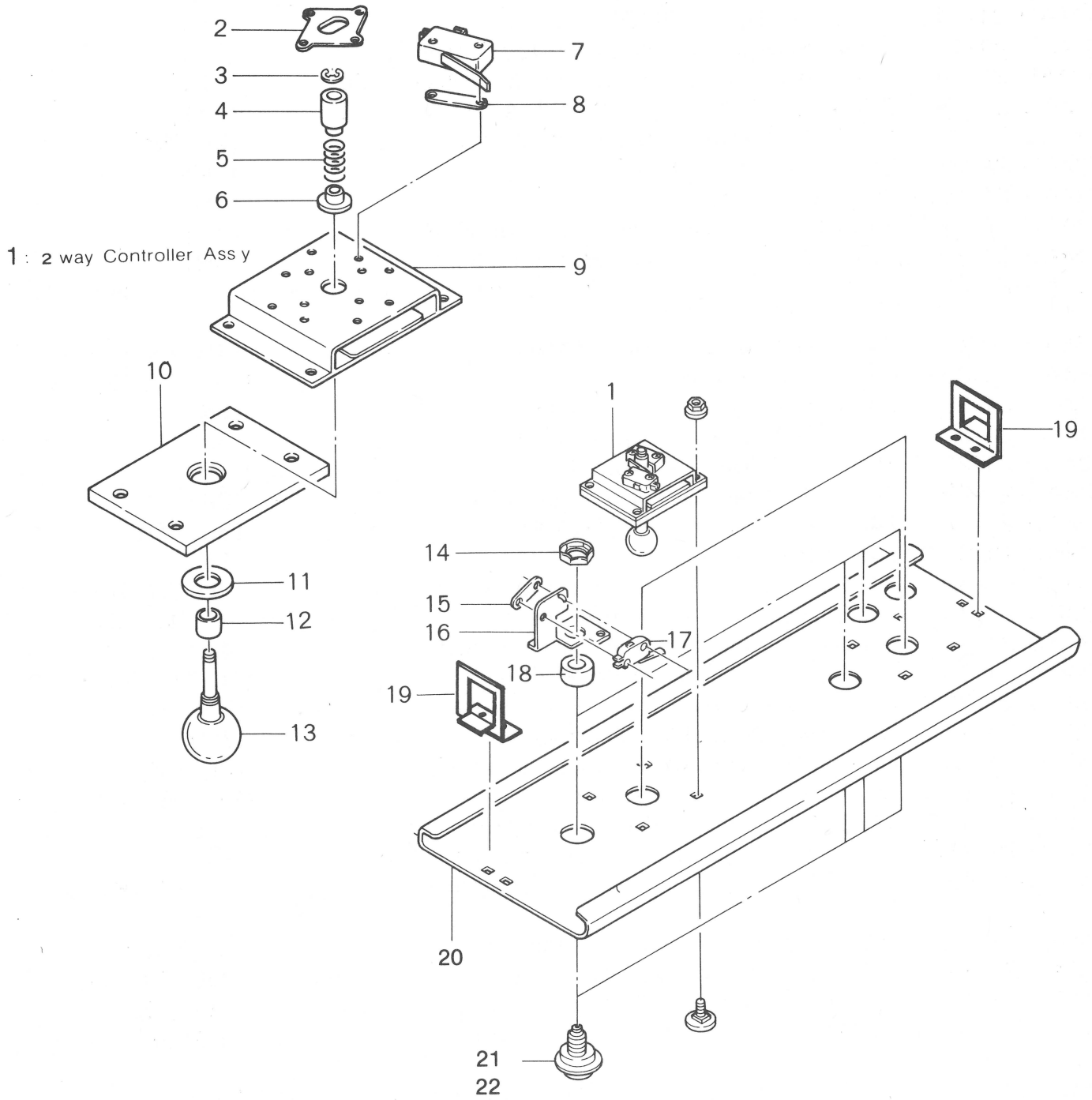
PART No.	DESCRIPTION	See Fig. 16
TMAU-41-16	UP 44P-044 Edge Connecting Harness	
TMAU-41-15	44P 044-FCC PCB Harness	
TPPU-93-02	2P-400 Audio Harness (400mm)	
TPPU-93-07	6P-600 Video Harness (600mm)	
TMAU-41-12	3P-500 Game Counter Harness (500mm)	
TMAU-41-13	4P-800 Service Switch Harness (800mm)	
TMAU-41-14	4P-600 WL Coin Harness (600mm)	
TKGU-13-06	2P Speaker TV Harness [2P-370] (370mm)	
TKGU-13-17	2P Speaker Harness [2P-860] (860mm)	
DJRT-89-08	9P-030 Power Harness (9P-9P Connector)	
DJRT-89-09	12P-030 Power Harness (10P-12P Connector)	
TMAU-41-11	UP 221 Type 15P Operation Panel Harness	
DJRU-13-12	50P Flat Cable [50P-40]	
TPPU-93-11	10P-130 Power Harness (130mm)	

TMA-1 Nintendo-Pak Parts List

Item	Part #	Name Of Part	Remarks
1	TMAU-21-00	TMA1 Complete P.C. Board Set	
2	TMAU-21-01	TMA1 CPU Complete P.C. Board Assembly	
3	TMAU-22-01	TMA1 Video Complete P.C. Board Assembly	
4	TMAU-23-01	044 FCC P.C. Board	
5	TMAK-12-12	TMA Name Plate 600W	
6	TMAK-12-13	TMA Front Screen 600W	
7	TKGU-01-53	Front Screen Frame	
8	TMAU-12-23	TMA Side Decal	
9	DJRU-19-01	Power Transformer Unit	
10	TKGU-18-01	Power Supply Unit (PP-7B)	
11	DJRU-19-01-01	PT-821B Power Transformer Only	
12	TPPU-01-01-10	Shield Cage	
13	TPPU-01-01-11	Shield Cover	
14	TPPU-01-50	Monitor Mtg. Bracket (Left)	
15	TPPU-01-51	Monitor Mtg. Bracket (Right)	
16	TPPU-01-52	Monitor Support Bar	
17	TPPU-01-67	Black Cardboard Bezel	
18	TMAU-41-15	44P044-FCC PCB Harness	
19	TMAK-41-01	C-UP44P-044 Edge Connecting Main Harness	For Only TKG/DJR Replacement
20	TMAU-41-16	UP44P-044 Edge Connecting Harness	For Only TPP Replacement
21	DJR-89-08	9P-030 Power Harness	For Only TPP Replacement
22	DJR-89-09	12P-030 Power Harness	For Only TPP Replacement

Item	Part #	Name Of Part	Remarks
1	TMAK-14-16	Complete 2-Way Control Assy.	
2	TMAU-11-17	2-Way Guide Plate	
3	TKGU-23-23	E. Ring 4	
4	TKGU-23-21	Switch Collar	
5	TKGU-23-22	Lever Spring	
6	TKGU-23-20	Spring Stopper	
7	TKGU-23-13	Micro Switch VL12L (Bent)	
8	TKGU-23-17	Switch Spacer	
9	TKGU-23-16	Bearing Bracket	
10	TMAU-12-15	Lever Plate	
11	TMAU-12-14	Control Knob Plate 28D	
12	TMAU-12-16	Control Knob Collar 8L	
13	TMAU-11-18	Knob With Shaft (Replaces TKGU-01-41 Knob and TKGU23-19 Shaft)	
14	TKGU-23-34	Pal Nut	
15	TKGU-23-26	Nut Plate	
16	TKGU-23-12	Switch Button Bracket	
17	TMAU-34-18	Micro Switch VL12L (Straight)	
18	TMAU-12-18	Collar 34 x 28 x 15H	
19	TMAK-11-19	Operation Assy. Fastener	
20	TMAK-12-11	Operation Panel	
21	TKGU-23-31	Blue Button Assy	
22	TKGU-23-32	Orange Button Assy	

MARIO BROS. OPERATION PANEL ASSEMBLY PARTS (UPRIGHT)



Operation Panel Assembly

PARTS LIST: TMAI-CPU PCB Assembly

No.	DESCRIPTION (Reference Designations and Locations)
TMAU-21-01	TMA1-CPU Complete PCB Assembly
TMAU-21-11	Z80A Microprocessor (5E)
TMAU-21-12	Z80ADMA DMA Controller (5D)
TMAU-21-13	3191 (8039) Microprocessor (5L)
TMAU-21-14	2732 4K byte EPROM 350ns (6K)
TMAU-21-15	2764 8K byte EPROM 450ns TMA1-C-7D (7D)
TMAU-21-16	2764 8K byte EPROM 450ns TMA1-C-7E (7E)
TMAU-21-17	2764 8K byte EPROM 450ns TMA1-C-7F (7F)
TMAU-21-18	6116 16K byte C-MOS RAM 200ns (7A, 7B)
TMAU-21-19	LM3900 Audio Amplifier (3M)
TMAU-21-20	4020B C-MOS Buffer (3H)
TMAU-21-21	TBP28S42N 512×8bit Bipolar ROM (4P)
TMAU-21-22	TBP18S030 32×8bit Bipolar ROM (5B)
TMAU-21-23	74HC374 C-MOS Octal 3 State D-Type Flip Flop (3K)
TMAU-21-24	74LS00 Quad 2-Input NAND (4H, 7K)
TMAU-21-25	74LS04 Hex Inverter (1H, 3E, 4J, 7L)
TMAU-21-26	74LS08 Quad 2-Input AND (2K)
TMAU-21-27	74LS11 Triple 3-Input AND (3J)
TMAU-21-28	74LS27 Triple 3-Input NOR (2B)
TMAU-21-29	74LS32 Quad D Type Flip-Flop (2A)
TMAU-21-30	74LS74 Dual D Type Flip-Flop (3D, 4D)
TMAU-21-31	74LS86 Quad 2-Input EXOR (1K)
TMAU-21-32	74LS123 Dual Re-triggerable Single Shot (2H, 2D, 4L)
TMAU-21-33	74LS138 3 To 8 Demultiplexer (3A, 3B, 3C, 4B, 4C)
TMAU-21-34	74LS139 Dual 2 To 4 Line Decoder (4A)
TMAU-21-35	74LS240 Octal Inverted Buffer (1L, 1M, 1N)
TMAU-21-36	74LS244 Octal 3 State Bus Buffer (5H, 6H)
TMAU-21-37	74LS245 Octal Bus Transceiver (7H)
TMAU-21-38	74LS259 8-bit Addressable Latches (2L, 7M)
TMAU-21-39	74LS367 Hex Bus Driver (6A, 6B, 6C)
TMAU-21-40	74LS373 Octal 3-State D-Latches (6J)
TMAU-21-41	74LS374 Octal 3-State D-Type Flip Flop (7J)
TMAU-21-42	74LS629 Voltage Control Oscillators (1J, 2J, 4K)
TMAU-21-43	2SD592 Silicon PNP Transistor (Q2, Q3)
TMAU-21-44	2SC828 Silicon NPN Transistor (Q8, Q5, Q6, Q1, Q4)
TMAU-21-45	2SA564 Silicon PNP Transistor (Q7, Q9)
TMAU-21-46	2SC1815 Silicon NPN Transistor (Q10)
TMAU-21-47	LS953 Diode (D2, D5, D6, D8, D7, D9, D10)
TMAU-21-48	WO3B Diode (D1, D3, D4, D11)
TMAU-21-49	68 Ohm 1/4W ±5% Resistor (R10, R29, R30, R31)
TMAU-21-50	100 Ohm 1/4W ±5% Resistor (R55, R57, R53)
TMAU-21-51	150 Ohm 1/4W ±5% Resistor (R62)

No.	DESCRIPTION (Reference Designations and Locations)		
TMAU-21-52	200	Ohm 1/4W $\pm 5\%$ Resistor	(R11)
TMAU-21-53	220	Ohm 1/4W $\pm 5\%$ Resistor	(R44, R47, R50)
TMAU-21-54	330	Ohm 1/4W $\pm 5\%$ Resistor	(R13, R8, R9, R26, R27, R28)
TMAU-21-55	470	Ohm 1/4W $\pm 5\%$ Resistor	(R46, R48, R51, R54, R56)
TMAU-21-56	510	Ohm 1/4W $\pm 5\%$ Resistor	(R59)
TMAU-21-57	560	Ohm 1/4W $\pm 5\%$ Resistor	(R32, R33)
TMAU-21-58	680	Ohm 1/4W $\pm 5\%$ Resistor	(R4, R58)
TMAU-21-59	1K	Ohm 1/4W $\pm 5\%$ Resistor	(R22, R24, R45, R49, R52, R63, R66)
TMAU-21-60	2K	Ohm 1/4W $\pm 5\%$ Resistor	(R12)
TMAU-21-61	2.2K	Ohm 1/4W $\pm 5\%$ Resistor	(R2)
TMAU-21-62	3.3K	Ohm 1/4W $\pm 5\%$ Resistor	(R3)
TMAU-21-63	4.7K	Ohm 1/4W $\pm 5\%$ Resistor	(R6, R7)
TMAU-21-64	10K	Ohm 1/4W $\pm 5\%$ Resistor	(R1, R23, R25, R60, R65, R67, R68, R69)
TMAU-21-65	12K	Ohm 1/4W $\pm 5\%$ Resistor	(R14)
TMAU-21-66	20K	Ohm 1/4W $\pm 5\%$ Resistor	(R64, R17, R18)
TMAU-21-67	22K	Ohm 1/4W $\pm 5\%$ Resistor	(R19, R20, R40)
TMAU-21-68	33K	Ohm 1/4W $\pm 5\%$ Resistor	(R16, R15)
TMAU-21-69	43K	Ohm 1/4W $\pm 5\%$ Resistor	(R42)
TMAU-21-70	47K	Ohm 1/4W $\pm 5\%$ Resistor	(R61)
TMAU-21-71	100K	Ohm 1/4W $\pm 5\%$ Resistor	(R43, R5, R41)
TMAU-21-72	360K	Ohm 1/4W $\pm 5\%$ Resistor	(R38)
TMAU-21-73	750K	Ohm 1/4W $\pm 5\%$ Resistor	(R37, R39)
TMAU-21-74	1M	Ohm 1/4W $\pm 5\%$ Resistor	(R35)
TMAU-21-75	1.8M	Ohm 1/4W $\pm 5\%$ Resistor	(R36, R21)
TMAU-21-76	2M	Ohm 1/4W $\pm 5\%$ Resistor	(R34)
TMAU-21-77	Octal 1K	Ohm Series Resistor Array	(RM3, RM6)
TMAU-21-78	Octal 4.7K	Ohm Series Resistor Array	(RM7)
TMAU-21-79	Hex 68	Ohm Series Resistor Array	(RM1, RM2, RM4, RM5)
TMAU-21-80	Rader Matrix	10K Ohm \times 20K Ohm	(MXR1)
TMAU-21-81	30PF	50V Ceramic-Disc Capacitor	(C45, C46)
TMAU-21-82	0.01 μ F	50V Ceramic-Disc Capacitor	(C7, C8, C12, C60~C91)
TMAU-21-83	100P	50V Styrol Capacitor	(C18, C30)
TMAU-21-84	0.0039 μ F	50V Film Capacitor	(C6)
TMAU-21-85	0.0047 μ F	50V Film Capacitor	(C39)
TMAU-21-86	0.0068 μ F	50V Film Capacitor	(C16)
TMAU-21-87	0.022 μ F	50V Film Capacitor	(C17, C40, C31)
TMAU-21-88	0.039 μ F	50V Film Capacitor	(C5)
TMAU-21-89	0.1 μ F	50V Film Capacitor	(C28)
TMAU-21-90	1 μ F	50V Al. Electrolytic Radial Capacitor	(C32, C29)
TMAU-21-91	3.3 μ F	50V Al. Electrolytic Radial Capacitor	(C43, C44)
TMAU-21-92	10 μ F	50V Al. Electrolytic Radial Capacitor	(C9, C10, C19~C27) (C33~C37)

No.	DESCRIPTION (Reference Designations and Locations)
TMAU-21-93	47 μ F 16V Al. Electrolytic Axial Capacitor (C13)
TMAU-21-94	100 μ F 16V Al. Electrolytic Axial Capacitor (C11, C38)
TMAU-21-95	470 μ F 16V Al. Electrolytic Axial Capacitor (C2, C54~C56)
TMAU-21-96	1 μ F 10V Tantalum Radial Capacitor (C50)
TMAU-21-97	4.7 μ F 10V Tantalum Radial Capacitor (C4, C14, C15, C41)
TMAU-21-98	10 μ F 10V Tantalum Radial Capacitor (C1, C3)
TMAU-21-99	8.00MHz Crystal (X1)
TMAU-21-100	11.00MHz Crystal (X2)
TMAU-21-101	NC5892-01 MINI BUS BAR
TMAU-21-102	NC2158-07 MINI BUS BAR
TMAU-21-103	16Pin Dip IC Socket (5B)
TMAU-21-104	20Pin Dip IC Socket (4P)
TMAU-21-105	24Pin Dip IC Socket (6K)
TMAU-21-106	28Pin Dip IC Socket (7D, 7E, 7F)
TMAU-21-107	40Pin Dip IC Socket (5E, 5L)
TMAU-21-108	8-Station Single-Throw DIP Bit Switch (SW1)
TMAU-21-109	50Pin Flat Cable Header (P1)
TMAU-21-110	10Pin Connector Receptacle (P2)
TMAU-21-111	Battery Case TYPE32-4 UM3 \times 2)
TMAU-21-112	Philips Head Machine Screw (With Spring Washer M2.6 \times 8)
TMAU-21-113	Flat Washer M2.6
TMAU-21-114	Nut Plate M2.6 Beaded Wire Tie
TMAU-21-115	T314 Ferrite Beads (FC1~FC9)
TMAU-21-116	Dry Battery UM-3

PARTS LIST : TMA1-VIDEO PCB Assembly

No.	DESCRIPTION (Reference Designations and Locations)
TMAU-22-01	TMA1-VIDEO Complete PCB Assembly
TMAU-22-11	2732 4K byte EPROM 250ns TMA-C-3F (3F)
TMAU-22-12	2732 4K byte EPROM 250ns TMA-C-3J (3J)
TMAU-22-13	2732 4K byte EPROM 250ns TMA-C-7M (7M)
TMAU-22-14	2732 4K byte EPROM 250ns TMA-C-7N (7N)
TMAU-22-15	2732 4K byte EPROM 250ns TMA-C-7P (7P)
TMAU-22-16	2732 4K byte EPROM 250ns TMA-C-7S (7S)
TMAU-22-17	2732 4K byte EPROM 250ns TMA-C-7T (7T)
TMAU-22-18	2732 4K byte EPROM 250ns TMA-C-7U (7U)

No.	DESCRIPTION (Reference Designations)	
TMAU-22-19	2114 1K×4 bit RAM	200ns (3D, 3E)
TMAU-22-20	2148 1K×4 bit RAM	55ns (8B, 8C)
TMAU-22-21	93419 64×9 bit Bipolar RAM	70ns (8E)
TMAU-22-22	7074 256×4 bit ECL RAM	10ns (3P, 3R)
TMAU-22-23	10124 Quadruple TTL-TO-ECL Translators	(4P, 4R, 5P, 5R)
TMAU-22-24	10125 Quadruple ECL-TO-TTL Translators	(3S, 3T)
TMAU-22-25	74S04 Shottky Hex Inverter	(2U)
TMAU-22-26	74S32 Shottky Quad 2-Input OR	(3U)
TMAU-22-27	74S74 Shottky Dual D-Type Flip-Flop	(2T)
TMAU-21-24	74LS00 Quad 2-Input NAND	(2M, 5H)
TMAU-22-28	74LS02 Quad 2-Input NOR	(1K, 5E, 5U)
TMAU-21-25	74LS04 Hex Inverter	(1R, 4E)
TMAU-21-26	74LS08 Quad 2-Input AND	(8A)
TMAU-22-29	74LS10 Triple 3-Input NAND	(5L)
TMAU-22-30	74LS20 Dual 4-Input NAND	(4H, 5F, 6P)
TMAU-21-28	74LS27 Triple 3-Input NOR	(6S)
TMAU-22-31	74LS30 8-Input NAND	(4J)
TMAU-21-29	74LS32 Quad D-Type Flip-Flop	(4L)
TMAU-21-30	74LS74 Dual D-Type Flip-Flop	(1L, 1M, 4F)
TMAU-21-31	74LS86 Quad 2-Input EXOR	(1B, 1D, 2D, 3A, 3B, 3C) (4N, 5N, 6H, 6N, 7H)
TMAU-22-32	74LS109 Dual J-K Flip-Flop	(3M)
TMAU-21-32	74LS123 Dual Retriggerable Single Shot	(1F, 1H)
TMAU-21-34	74LS139 Dual 2-TO-4 Line Decocler	(4K)
TMAU-22-33	74LS157 Quad 2-To-1 Line Data Selector	(2K, 4B, 4C, 4D, 4S, 4U, 5, 5S5T, 6C, 6D, 7B, 8M, 8N)
TMAU-22-34	74LS161 Synchronous 4 bit Counter	(1C, 1S, 1T, 2S, 5J, 5K, 5C, 5D, 1A)
TMAU-22-35	74LS163 Synchronous Presettable 4 bit Counter With Clear	(4M, 5M)
TMAU-22-36	74LS174 Hex D-Type Flip-Flop	(6T, 6U)
TMAU-22-37	74LS175 Quad D-Type Flip-Flop	(3K, 6J, 7J)
TMAU-21-35	74LS240 Octal Inverted Buffer	(8H)
TMAU-21-37	74LS245 Octal Bus Transceiver	(2F, 7C)
TMAU-22-38	74LS273 Octal D-Type Flip-Flop	(6M, 7D, 8D, 8JJ)
TMAU-22-39	74LS283 4 bit Full Adder	(6E, 6F, 6K, 6L, 7E, 7F, 7K, 7L)
TMAU-22-40	74LS299 8 bit Shift Register	(2H, 2J, 8N, 8P, 8R, 8S, 8T, 8U)
TMAU-21-39	74LS367 Hex Bus Driver	(1P, 2P)
TMAU-21-40	74LS373 Octal 3-State D-Latches	(4T, 8K)
TMAU-22-41	74LS377 Octal D-Type Flip-Flop	(1E, 6R)
TMAU-22-42	0 Ohm 1/4W ±5% Resistor	(R10)
TMAU-21-50	100 Ohm 1/4W ±5% Resistor	(R5)
TMAU-22-43	390 Ohm 1/4W ±5% Resistor	(R7)
TMAU-21-56	510 Ohm 1/4W ±5% Resistor	(R6, R14)
TMAU-21-59	1K Ohm 1/4W ±5% Resistor	(R13, R11)
TMAU-21-61	2.2K Ohm 1/4W ±5% Resistor	(R8, R9)
TMAU-21-63	4.7K Ohm 1/4W ±5% Resistor	(R2, R4)

No.	DESCRIPTION (Reference Designations and Locations)	
TMAU-21-67	22K Ohm 1/4W $\pm 5\%$ Resistor	(R1)
TMAU-22-44	27K Ohm 1/4W $\pm 5\%$ Resistor	(R3)
TMAU-21-77	Octal 1K Ohm Series Resistor Array	(RM4)
TMAU-22-45	Octal 510 Ohm Series Resistor Array	(RM1, RM2, RM3, RM5)
TMAU-22-46	51PF 50V Ceramic-Disc Capacitor	(C5, C8)
TMAU-22-47	68PF 50V Ceramic-Disc Capacitor	(C19, C11)
TMAU-22-48	150PF 50V Ceramic-Disc Capacitor	(C10)
TMAU-22-49	220PF 50V Ceramic-Disc Capacitor	(C15, C1)
TMAU-22-50	330PF 50V Ceramic-Disc Capacitor	(C9)
TMAU-21-82	0.01 μ F 50V Ceramic-Disc Capacitor	(C20~C51)
TMAU-22-51	1000PF 50V Styrol Capacitor	(C2)
TMAU-21-87	0.022 μ F 50V Film Capacitor	(C4)
TMAU-21-89	0.1 μ F 50V Film Capacitor	(C3)
TMAU-21-95	470 μ F 16V Al. Electrolytic Axial Capacitor	(C7, C13, C16)
TMAU-22-52	24.00MHz Crystal	(X1)
TMAU-22-53	NC5854-00 MINI BUS BAR	
TMAU-22-54	NC5870-03 MINI BUS BAR	
TMAU-22-55	NC5872-08 MINI BUS BAR	
TMAU-21-105	24Pin DIP IC Socket	(3F, 3J, 7M, 7N, 7P, 7S, 7T, 7U)
TMAU-21-109	50Pin Flat Cable Header	(P1)
TMAU-21-110	10Pin Connector Receptacle	(P2)
TMAU-22-56	30K Ohm VR	(VR1, VR2)
TMAU-22-57	GP-7 Ferrite Beads	(FC1~FC16)

PARTS LIST : TMA1-FCC PCB Assembly

No.	DESCRIPTION (Reference Designations and Locations)	
TMAU-23-01	TMA1-FCC Complete PCB Assembly	
TMAU-23-11	26Pin Straight Connector	
TMAU-23-12	0.1 μ F 12V Ceramic Disc-Capacitor	
TMAU-21-82	0.01 μ F 50V Ceramic Disc-Capacitor	
TMAU-23-13	0.001 μ F 50V Ceramic Disc-Capacitor	
TMAU-22-57	GP-7 Ferrite Beads	

PARTS LIST : PP-7B Power Supply Assembly

No.	DESCRIPTION (Reference Designations and Locations)	
DJR-18-01	(PP7B) Power P.C Board Complete Set	
DJR-18-02	2SC2555 Silicon NPN Transistor	(TR1)
DJR-18-03	2SA817 Silicon PNP Transistor	(TR2, TR4)
DJR-18-04	2SC2535 Silicon NPN Transistor	(TR3)
DJR-18-05	2SA1015 Silicon PNP Transistor	(TR5)
DJR-18-06	CTV-2S Fast Recovery Center Tap Diode	(D4)
DJR-18-07	CTB33S Schottky Diode	(D5, D9)

No.	DESCRIPTION (Reference Designations and Locations)
DJR-18-08	S4VB40 4A/400VW Silicon Rectifier Diode (BR)
DJR-18-09	1B4B41 Silicon Rectifier Diode (BR2)
DJR-18-10	3D-1001 Hybrid IC (IC1, IC2)
DJR-18-11	7824 3 Terminal Regulator (IC3)
DJR-18-12	7812 3 Terminal Regulator (IC4)
DJR-18-13	5P4M Thyristors (SCR)
DJR-18-14	03P05M Thyristors (SCR2)
DJR-18-15	1S954 Diode (D1, D6, D10, D11)
DJR-18-16	10DF-4 Diode (D2, D3, D7, D8)
DJR-18-17	PC614 Photo Coupler (IC5)
DJR-18-18	05Z 5.6V Zener Diode (ZD1)
DJR-18-19	05Z 5.1L Zener Diode (ZD2)
DJR-18-20	05Z5.6Z Zener Diode (05Z)
DJR-18-21	470P/2KV DE070B471K2K Ceramic Capacitor (C1, C2, C9)
DJR-18-22	0.1 μ F/50V Ceramic Capacitor (C29)
DJR-18-23	0.047 μ F/630VW Film Capacitor MDD2J473M (C3, C4, C5)
DJR-18-24	0.01 μ F/50V Film Capacitor (C8, C17)
DJR-18-25	1000PF/50V Film Capacitor (C14, C26)
DJR-18-26	1000 μ F/50V Al. Electrolytic Capacitor (C10)
DJR-18-27	47 μ F/35V Al. Electrolytic Capacitor (C11, C13)
DJR-18-28	47 μ F/16V Al. Electrolytic Capacitor (C12, C18, C19, C20, C30, C31, C32, C36, C37, C38)
DJR-18-29	3300 μ F/10V Al. Electrolytic Capacitor (C27, C28, C15, C16)
DJR-18-30	100 μ F/25V Al. Electrolytic Capacitor (C23, C33)
DJR-18-31	10 μ F/16V Al. Electrolytic Capacitor (C22, C24, C25, C34, C35)
DJR-18-32	330 μ F/200V Al. Electrolytic Capacitor (C6, C7)
DJR-18-33	1000 μ F/25V Al. Electrolytic Capacitor (C21)
DJR-18-34	20 Ohm 2W Resistor (Coil Winding) (R1)
DJR-18-35	1K Ohm 1/4W \pm 5% Resistor (R2, R12, R14, R15, R18, R22)
DJR-18-36	51 Ohm 1/4W \pm 5% \pm 5% Resistor (R3, R4, R11, R15, R17, R19, R21, R23)
DJR-18-37	12 Ohm 1/2W \pm 5% Resistor (R5, R8, R20, R24, R6, R26)
DJR-18-38	470 Ohm 1/4W \pm 5% Resistor (R10)
DJR-18-39	22 Ohm 1/2W \pm 5% Resistor (R13)
DJR-18-40	20K Ohm 1/2W \pm 5% Resistor (R16, R25)
DJR-18-41	100 Ohm 1/2W \pm 5% Resistor (R27)
DJR-18-42	20 Ohm 5W Resistor (R9)
DJR-18-43	510 Ohm 3W Resistor (Metal Oxide) (R7)
DJR-18-44	50K Ohm GF06P Variable Resistor (VR2, VR4)
DJR-18-45	2K Ohm GF06P Variable Resistor (VR1, VR3)
DJR-18-46	5m Ohm Shunt Resistor (SH1, SH2)
DJR-18-47	SC-02 SC Coil (L1)
DJR-18-48	100mH 5A SF Coil (L4, L5)
DJR-18-49	800mH 2A SF Coil (L2, L3)
DJR-18-50	3D-0097 EC-35 Type Oscillator Trans (T1)
DJR-18-51	3D-0097 EI-35 Type Oscillator Trans (T2)
DJR-18-52	3D-1000 EE-16 Type Oscillator Trans (T3, T4)
DJR-18-53	4A-125V Fuse FGMB4A-125V NR Type (F)

NOTES

