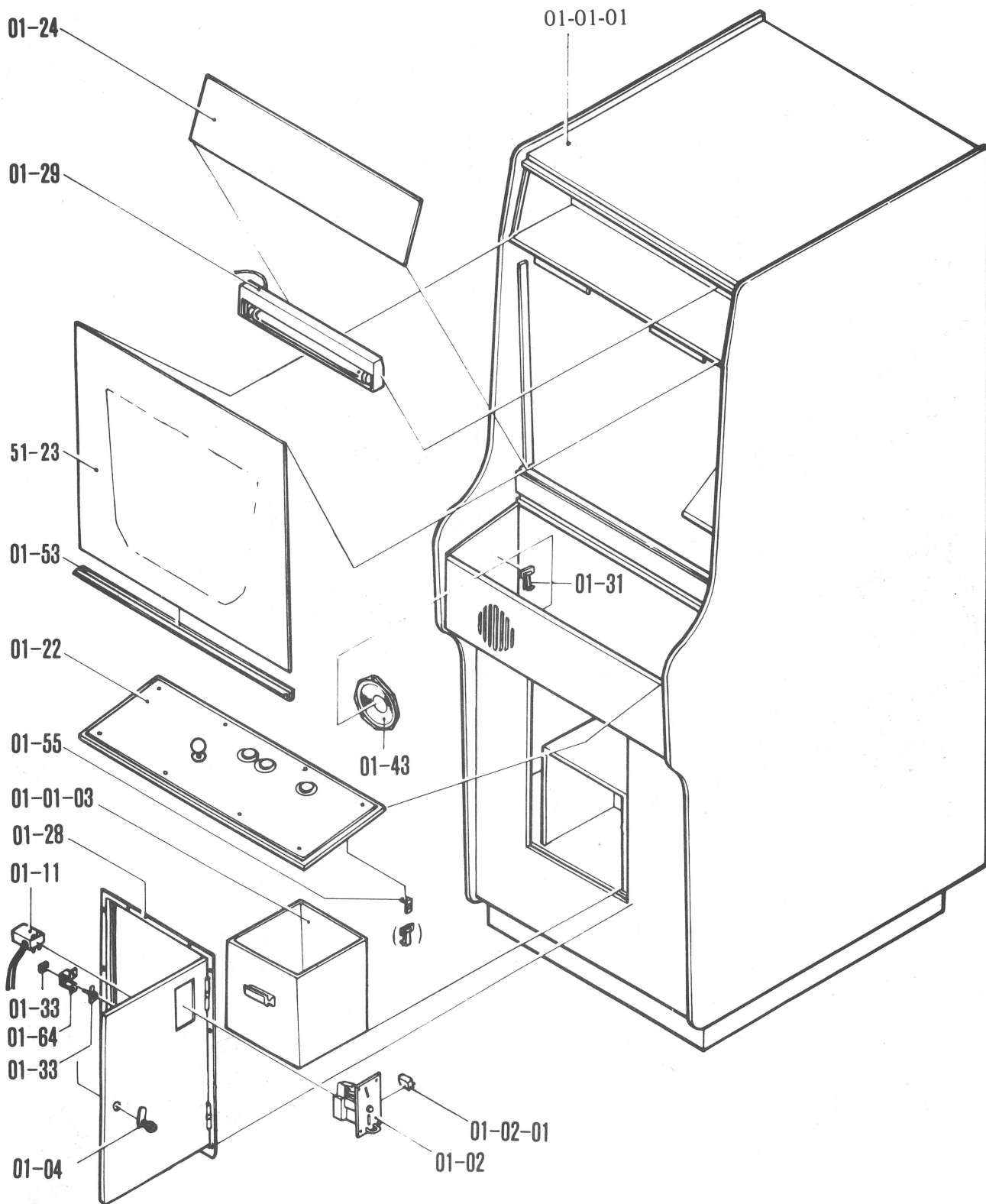
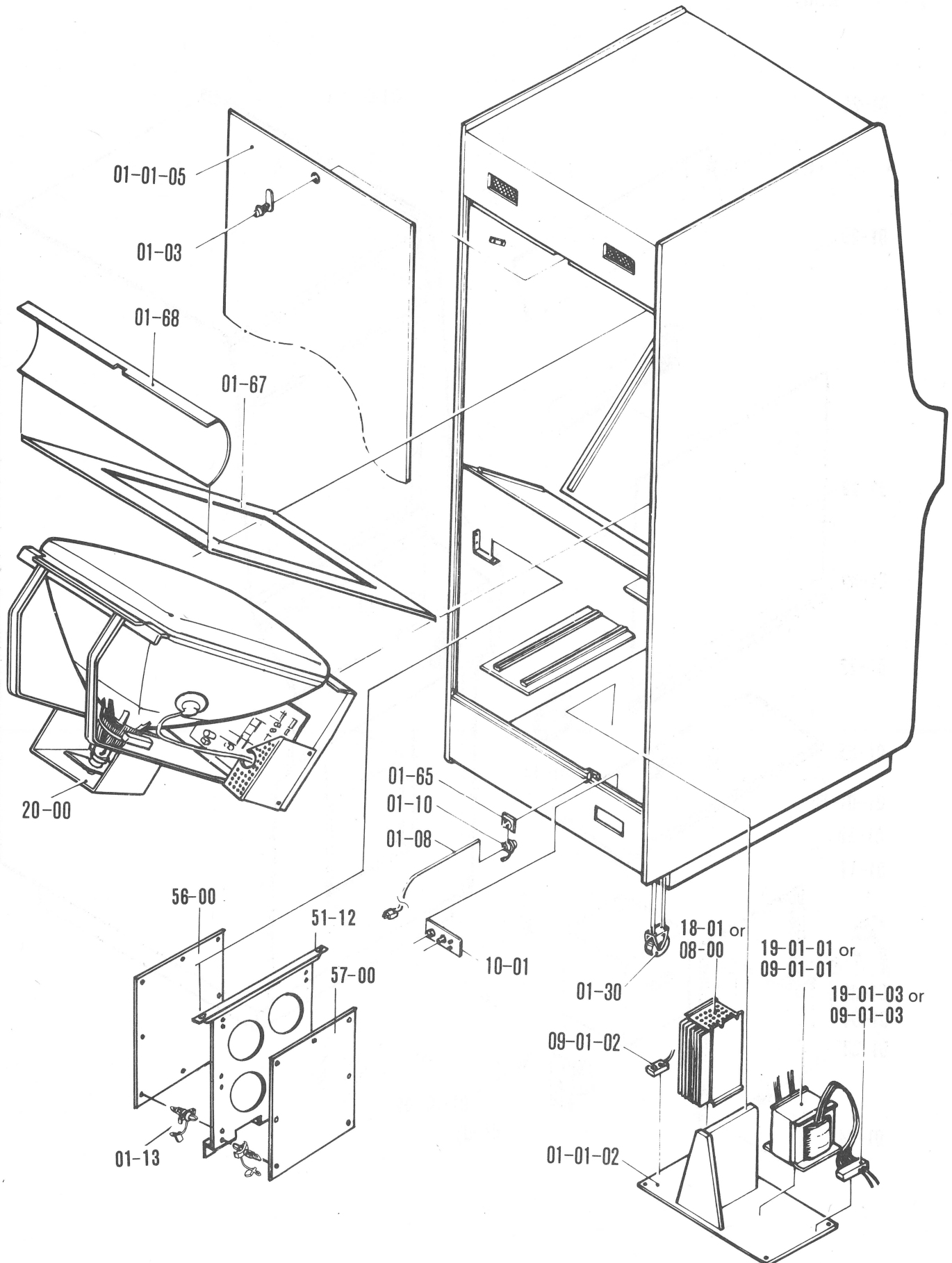
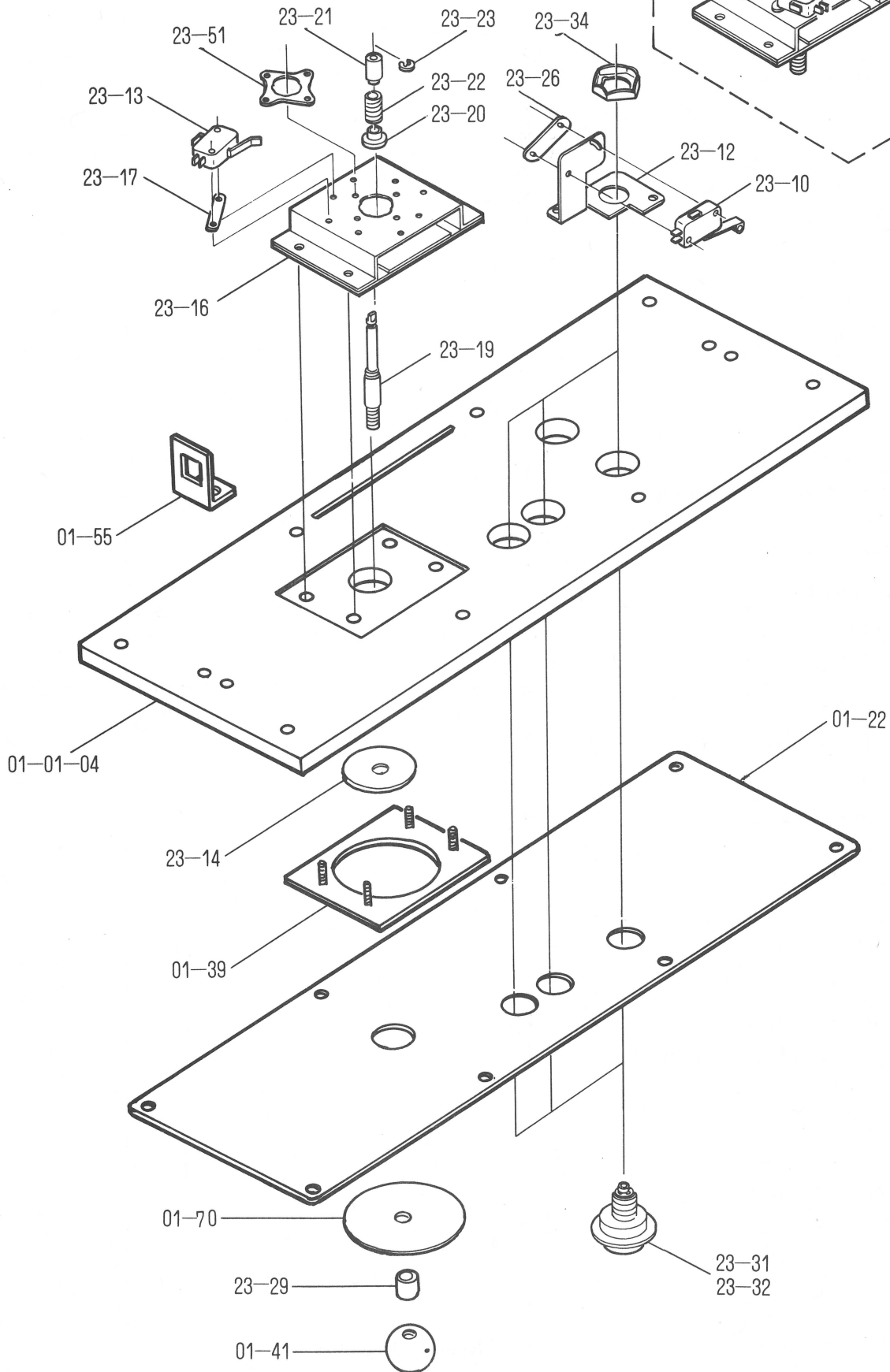


Body





Operation Panel Assembly



PARTS LIST
TKG4-Body

No.	Name of Parts	Q'ty	Remarks
TKGU-01-01-01	Body	1	
TKGU-01-01-02	Transformer Base	1	
TKGU-01-01-03	Cash Box	1	
TKGU-01-01-04	Control Lever Ass'y Base	1	
TKGU-01-01-05	Back Door	1	
TKGU-01-02	Coin Selector	1	T
TKGU-01-02-01	Coin Switch	1	T
TKGU-01-03	Back Door Lock	1	
TKGU-01-04	Front Door Lock	1	
TKGU-01-08	Power Cord	1	
TKGU-01-10	Strain Relief Bushing	1	T
TKGU-01-11	Game Counter	1	T
TKGU-51-12	TKG4 P.C.Board Mounting Bracket	1	
TKGU-01-13	P.C.Board Support	16	
TKGU-01-22	Operation Panel	1	
TKGU-51-23	Front Screen	1	
TKGU-01-24	Name Plate	1	
TKGU-01-28	Front Door Ass'y	1	
TKGU-01-29	Fluorescent Lamp Ass'y	1	
TKGU-01-30	Caster	2	
TKGU-01-31	Operation Panel Ass'y Fastener (A)	2	
TKGU-01-33	Service Switch	1	T
TKGU-01-39	Control Lever Ass'y Mounting Plate	1	
TKGU-01-41	Control Lever Knob	1	
TKGU-01-43	Speaker	1	
TKGU-01-53	Front Screen Frame (Lower)	1	
TKGU-01-55	Operation Panel Ass'y Fastener (B)	2	
TKGU-01-64	Service Switch Bracket	1	
TKGU-01-65	Strain Relief Bushing Plate	1	
TKGU-01-67	Blind Cardboard (Large)	1	
TKGU-01-68	Blind Cardboard (Small)	1	
TKGU-01-70	Control Knob Plate	1	
TKGU-56-00	VIDEO P.C.Board	1	(TKG4-11-VIDEO)
TKGU-57-00	CPU P.C.Board	1	(TKG4-11-CPU)
TKGU-08-00	(PP-7A) Power P.C.Board	1	T

No.	Name of Parts	Q'ty	Remarks
TKGU-18-01	(PP-7B) Power P.C.Board	1	T
TKGU-09-01-01	(PT-8A) Power Transformer	1	
TKGU-19-01-01	(PT-821B) Power Transformer	1	
TKGU-09-01-02	2P Table Tap	1	
TKGU-09-01-03	Terminal Block	1	(Sexipolar)
TKGU-19-01-03	Terminal Block	1	(Quadrupolar)
TKGU-10-01	Power Switch Ass'y	1	
TKGU-13-01	10P CLK Harness Connector	1	T
TKGU-13-02	2P Counter Harness Connector	1	
TKGU-13-03	9P CPU Harness Connector	1	T
TKGU-13-04	3P Coin Harness Connector	1	
TKGU-13-05	5P Service Harness Connector	1	
TKGU-13-06	2P Speaker TV Harness Connector	1	
TKGU-13-07	4P-750 Audio Harness Connector	1	T
TKGU-13-10	9P Main Switch Harness Connector	1	
TKGU-13-11	17P Junction Harness Connector	1	
TKGU-13-12	50P Flat Cable	2	T
TKGU-13-17	2P Speaker Harness Connector	1	
TKGU-13-28	3P Junction Harness Connector	1	
TKGU-13-29	4P Main Switch Harness Connector	1	
TKGU-13-31	6P-1000 Video Harness Connector	1	
TKGU-20-00	Video Monitor	1	(20-5F)
TKGU-23-10	Micro Switch	3	
TKGU-23-12	Switch Button Bracket	3	
TKGU-23-13	Control Switch	4	T
TKGU-23-14	Blind Plate	1	T
TKGU-23-16	Bearing Bracket	1	T
TKGU-23-17	Switch Spacer	4	T
TKGU-23-19	Schaft	1	T
TKGU-23-20	Spring Stopper	1	T
TKGU-23-21	Switch Collar	1	T
TKGU-23-22	Lever Spring	1	T
TKGU-23-23	E Ring 4	1	T
TKGU-23-26	Nut Plate	3	
TKGU-23-29	Control Knob Collar	1	T
TKGU-23-31	Switch Button Ass'y (Blue)	2	
TKGU-23-32	Switch Button Ass'y (Orange)	1	
TKGU-23-34	Pal Nut	3	

No.	Name of Parts	Q'ty	Remarks	
TKGU-23-50	4 Way Control Lever Ass'y	1	T	
TKGU-23-51	4 Way Guide Plate	1	T	

No.	Name of Parts	Q'ty	Remarks
TKG-56-00	VIDEO P.C.Board	1	Complete Set (TKG4-11-VIDEO)
TKG-56-01	IC SN74LS00	2	Quadruple 2 - Input Positive NAND Gates
TKG-56-02	IC SN74LS02	3	Quadruple 2 - Input Positive Nor Gates
TKG-56-03	IC SN74LS04	6	Hex Inverters
TKG-56-04	IC SN74LS08	1	Quadruple 2 - Input AND Gate
TKG-56-05	IC SN74LS10	1	Tri 3 Input NAND Gate
TKG-56-06	IC SN74LS20	4	Dual 4 - Input Positive NAND Gate
TKG-56-07	IC SN74LS30	1	8 - Input Positive NAND Gate
TKG-56-08	IC SN74LS32	1	Quadruple 2 - Input Positive or Gate
TKG-56-09	IC SN74LS74	4	Dual D-Type Edge-Triggered Flip-Flop w/Set and Reset
TKG-56-10	IC SN74LS86	7	Quadruple 2 - Input Executive OR Gate
TKG-56-11	IC SN74LS109	1	Dual J-K Positive Edge-Triggered Flip-Flops with Preset and Clear
TKG-56-12	IC SN74LS123	2	Dual Retriggerable Single Shot
TKG-56-13	IC SN74LS139	1	Dual 2- to 4-Line Decoder/Demultiplexer
TKG-56-14	IC SN74LS157	14	Quadruple 2-Line to 1-Line Data
TKG-56-15	IC SN74LS161	4	Synchronous Presettable 4-Bit Binary Counter w/Direct Reset
TKG-56-16	IC SN74LS163	2	4-Bit Binary Counter with Synchronous clear
TKG-56-17	IC SN74LS174	1	Hex D-Type Flip-Flop w/Reset RAM
TKG-56-18	IC SN74LS175	2	Quadruple D-Type Flip-Flop w/Reset
TKG-56-19	IC SN74LS245	2	Octal 3-State Bus Transceivers
TKG-56-20	IC SN74LS273	4	Octal D-FFS
TKG-56-21	IC SN74LS283	8	4 Bit Binary Full Adder
TKG-56-22	IC SN74LS299	6	8 Bit Bidirectional Universal Shift/Storage
TKG-56-23	IC SN74LS367	2	Hex Bus Driver w/3 State Output
TKG-56-24	IC SN74LS373	2	Octal 3-State D-Latches
TKG-56-25	IC SN74LS377	1	Octal D-Type Flip-Flops
TKG-56-26	IC SN74S161	3	Schotkey 4-Bit Binary Counter with Direct Clear
TKG-56-27	IC MB10105	1	Triple 2-3-2- Input OR/NOR Gates
TKG-56-28	IC MB10116	1	Triple Line Receivers
TKG-56-29	IC MB10124	4	Quadruple TTL-to-ECL Translators
TKG-56-30	IC MB10125	3	Quadruple ECL-to-TTL Translators

No.	Name of Parts	Q'ty	Remarks
TKG-56-31	IC MB10136	1	Universal Hexadecimal Counter
TKG-56-32	IC 2716	6	2048 x 8 Bit EP-ROM
TKG-56-33	IC MB7074	2	ECL-RAM (MBM10422) with Radiator Fin
TKG-56-34	IC MB93419	1	64 x 9 Bipolar RAM
TKG-56-35	IC MB8114	2	1024 x 4-Bit Static MOS RAM
TKG-56-36	IC MB8148L55	2	1024 x 4-Bit Static RAM
TKG-56-37	IC 24S10	1	256 x 4-Bit Bipolar P-ROM
TKG-56-38	Resistor Array	4	RNSA-09P-551J 8-device 510 Ω
TKG-56-39	Resistor Array	1	RNSA-09P-102J 8-device 1k Ω
TKG-56-40	Variable Resistor	2	50k Ω 1/3W
TKG-56-41	Resistor (Carbon)	2	10k Ω 1/4W \pm 5%
TKG-56-42	Resistor (Carbon)	12	510 Ω 1/4W \pm 5%
TKG-56-43	Resistor (Carbon)	2	15k Ω 1/4W \pm 5%
TKG-56-44	Resistor (Carbon)	2	2.2k Ω 1/4W \pm 5%
TKG-56-45	Resistor (Carbon)	2	4.7k Ω 1/4W \pm 5%
TKG-56-46	Resistor (Carbon)	1	22k Ω 1/4W \pm 5%
TKG-56-47	Resistor (Carbon)	1	27k Ω 1/4W \pm 5%
TKG-56-48	Resistor (Carbon)	23	1k Ω 1/4W \pm 5%
TKG-56-49	Electrolytic Capacitor	2	220 μ F 16V
TKG-56-50	Electrolytic Capacitor	2	1 μ F 50V
TKG-56-51	Ceramic Capacitor	1	47pF 50V
TKG-56-52	Ceramic Capacitor	128	0.01 μ F 50V
TKG-56-53	Ceramic Capacitor	1	33pF 50V
TKG-56-54	Ceramic Capacitor	2	10pF 50V
TKG-56-55	Ceramic Capacitor	1	220pF 50V
TKG-56-56	Ceramic Capacitor	1	68pF 50V
TKG-56-57	Polyester Film Capacitor	1	1000pF 50V (102kz)
TKG-56-58	Polyester Film Capacitor	1	0.1 μ F 50V
TKG-56-59	Polyester Film Capacitor	1	0.022 μ F 50V
TKG-56-60	Transistor	2	2SC1215-R/S/T
TKG-56-61	Crystal Oscillator	1	61.44MHz (HC-18U)

CPU P.C.Board

No.	Name of Parts	Q'ty	Remarks
TKG-57-00	CPU P.C.Board	1	Complete Set (TKG4-11-CPU)
TKG-57-01	IC SN74LS00	2	Quadruple 2 - Input Positive NAND Gates
TKG-57-02	IC SN74LS02	2	Quadruple 2 - Input Positive NOR Gate
TKG-57-03	IC SN74LS04	5	Hex Inverters
TKG-57-04	IC SN74LS05	1	Hex Inverter Open Collector
TKG-57-05	IC SN74LS08	1	Quadruple 2 - Input AND Gates
TKG-57-06	IC SN74LS32	1	Quadruple 2 - Input Positive OR Gate
TKG-57-07	IC SN74LS74	2	Dual D-Type Edge-Triggered Flip-Flop w/Set and Reset
TKG-57-08	IC SN74LS75	2	Quadruple Bistable Latch
TKG-57-09	IC SN74LS86	1	Quadruple 2 - Input Exclusive OR Gate
TKG-57-10	IC SN74LS123	1	Dual Retriggerable Single Shot
TKG-57-11	IC SN74LS125	1	Quadruple 3 State Bus Buffers
TKG-57-12	IC SN74LS132	1	Quadruple 2 - Input NAND Schmit Triggers
TKG-57-13	IC SN74LS138	6	3- to 8-Line Decoder/Demultiplexer
TKG-57-14	IC SN74LS139	1	Dual 2- to 4-Line Decoder/Demultiplexer
TKG-57-15	IC SN74LS161	1	Synchronous Presettable 4-Bit Binary Counter w/Direct Reset
TKG-57-16	IC SN74LS164	3	8-Bit Serial-In Parallel-Out Shift Register
TKG-57-17	IC SN74LS174	2	Hex D-Type Flip-Flop w/Reset RAM
TKG-57-18	IC SN74LS175	1	Quadruple D-Type Flip-Flop w/Reset
TKG-57-19	IC SN74LS240	4	Octal Buffer/Line Driver/Line Receiver w/3-State
TKG-57-20	IC SN74LS245	1	Octal 3-State Bus Transceivers
TKG-57-21	IC SN74LS259	2	8-Bit Addressable Latches
TKG-57-22	IC SN74LS367	6	Hex Bus Driver W/3 State Output
TKG-57-23	IC SN74LS373	2	Octal 3-State D-latches
TKG-57-24	IC MB8114	6	1024 x 4-Bit Static MOS RAM
TKG-57-25	IC 2532	4	4096 x 8-Bit EP ROM
TKG-57-26	IC Z80A	1	8-Bit Microprocessor
TKG-57-27	IC 24S10	2	Bipolar ROM 256 x 4-Bit
TKG-57-28	IC 8257-5	1	DMA Controller
TKG-57-29	IC 2716	2	2048 x 8-Bit EP ROM
TKG-57-30	IC MB8884	1	8-Bit Microprocessor

No.	Name of Parts	Q'ty	Remarks
TKG-57-31	IC MB3614	1	Lower Power Quadruple Operational Amplifiers
TKG-57-32	IC NE556	1	Dual Timer
TKG-57-33	IC DAC08CQ	1	8-Bit Digital-to-Analog Converter
TKG-57-34	IC CD4049UB	1	Hex Buffer/Converter (Inverting)
TKG-57-35	Transistor	7	2SC1815
TKG-57-36	Transistor	1	2SC1384-R
TKG-57-37	Transistor	4	2SC828-P/Q
TKG-57-38	Transistor	2	2SA564-P/Q/R
TKG-57-39	Diode	9	ISS53
TKG-57-40	Diode	4	IS953
TKG-57-41	Diode	1	W03B
TKG-57-42	Dip Switch	1	B-8A
TKG-57-43	Aluminium Electrolytic Capacitor	2	470 μ F 16V
TKG-57-44	Electrolytic Capacitor	1	220 μ F 25V
TKG-57-45	Electrolytic Capacitor	2	33 μ F 16V
TKG-57-46	Electrolytic Capacitor	6	1 μ F 50V
TKG-57-47	Electrolytic Capacitor	2	4.7 μ F 25V
TKG-57-48	Electrolytic Capacitor	4	3.3 μ F 50V
TKG-57-49	Electrolytic Capacitor	15	10 μ F 16V
TKG-57-50	Electrolytic Capacitor	2	100 μ F 16V
TKG-57-51	Electrolytic Capacitor	1	47 μ F 25V
TKG-57-53	Ceramic Capacitor	3	0.068 μ F 25V
TKG-57-54	Ceramic Capacitor	86	0.01 μ F 50V
TKG-57-55	Ceramic Capacitor	1	0.022 μ F 25V
TKG-57-56	Ceramic Capacitor	2	22pF 50V
TKG-57-57	Ceramic Capacitor	1	0.001 μ F 25V
TKG-57-58	Ceramic Capacitor	1	0.1 μ F 50V
TKG-57-59	Polyester Film Capacitor	2	0.047 μ F 50V
TKG-57-60	Polyester Film Capacitor	1	0.033 μ F 50V
TKG-57-61	Tantalum Capacitor	3	10 μ F 16V
TKG-57-62	Variable Resistor	1	10k Ω 1/5W (RVA0911V-306-7B103)
TKG-57-63	Series Resistor Array	3	1k Ω PNSA-09P-102J
TKG-57-64	Parallel Resistor Array	6	68 Ω PNSB-08P-680J
TKG-57-65	Series Resistor Array	1	4.7k Ω PNSB-09P-472J
TKG-57-66	Resistor (Carbon)	6	47k Ω 1/4W \pm 5%
TKG-57-67	Resistor (Carbon)	2	5.1k Ω 1/4W \pm 5%
TKG-57-68	Resistor (Carbon)	3	2k Ω 1/4W \pm 5%

No.	Name of Parts	Q'ty	Remarks
TKG -57-69	Resistor (Carbon)	1	750Ω 1/4W ±5%
TKG -57-70	Resistor (Carbon)	8	4.7kΩ 1/4W ±5%
TKG -57-71	Resistor (Carbon)	14	10kΩ 1/4W ±5%
TKG -57-72	Resistor (Carbon)	3	100kΩ 1/4W ±5%
TKG -57-73	Resistor (Carbon)	2	43kΩ 1/4W ±5%
TKG -57-74	Resistor (Carbon)	16	1kΩ 1/4W ±5%
TKG -57-75	Resistor (Carbon)	5	5.6kΩ 1/4W ±5%
TKG -57-76	Resistor (Carbon)	1	120Ω 1/4W ±5%
TKG -57-77	Resistor (Carbon)	2	150Ω 1/4W ±5%
TKG -57-78	Resistor (Carbon)	1	18kΩ 1/4W ±5%
TKG -57-79	Resistor (Carbon)	1	3.3MΩ 1/4W ±5%
TKG -57-80	Resistor (Carbon)	2	27kΩ 1/4W ±5%
TKG -57-81	Resistor (Carbon)	2	1.2kΩ 1/4W ±5%
TKG -57-82	Resistor (Carbon)	1	12kΩ 1/4W ±5%
TKG -57-83	Resistor (Carbon)	1	4.3kΩ 1/4W ±5%
TKG -57-84	Resistor (Carbon)	5	68Ω 1/4W ±5%
TKG -57-85	Resistor (Carbon)	7	330Ω 1/4W ±5%
TKG -57-86	Resistor (Carbon)	2	33kΩ 1/4W ±5%
TKG -57-87	Resistor (Carbon)	4	220Ω 1/4W ±5%
TKG -57-88	Resistor (Carbon)	5	470Ω 1/4W ±5%
TKG -57-89	Resistor (Carbon)	1	680Ω 1/4W ±5%
TKG -57-90	Resistor (Carbon)	3	100Ω 1/4W ±5%
TKG -57-91	Resistor (Carbon)	1	200Ω 1/4W ±5%
TKG -57-92	Crystal Oscillator	1	HC-18U-182 (6.000MHz)

NOTES

