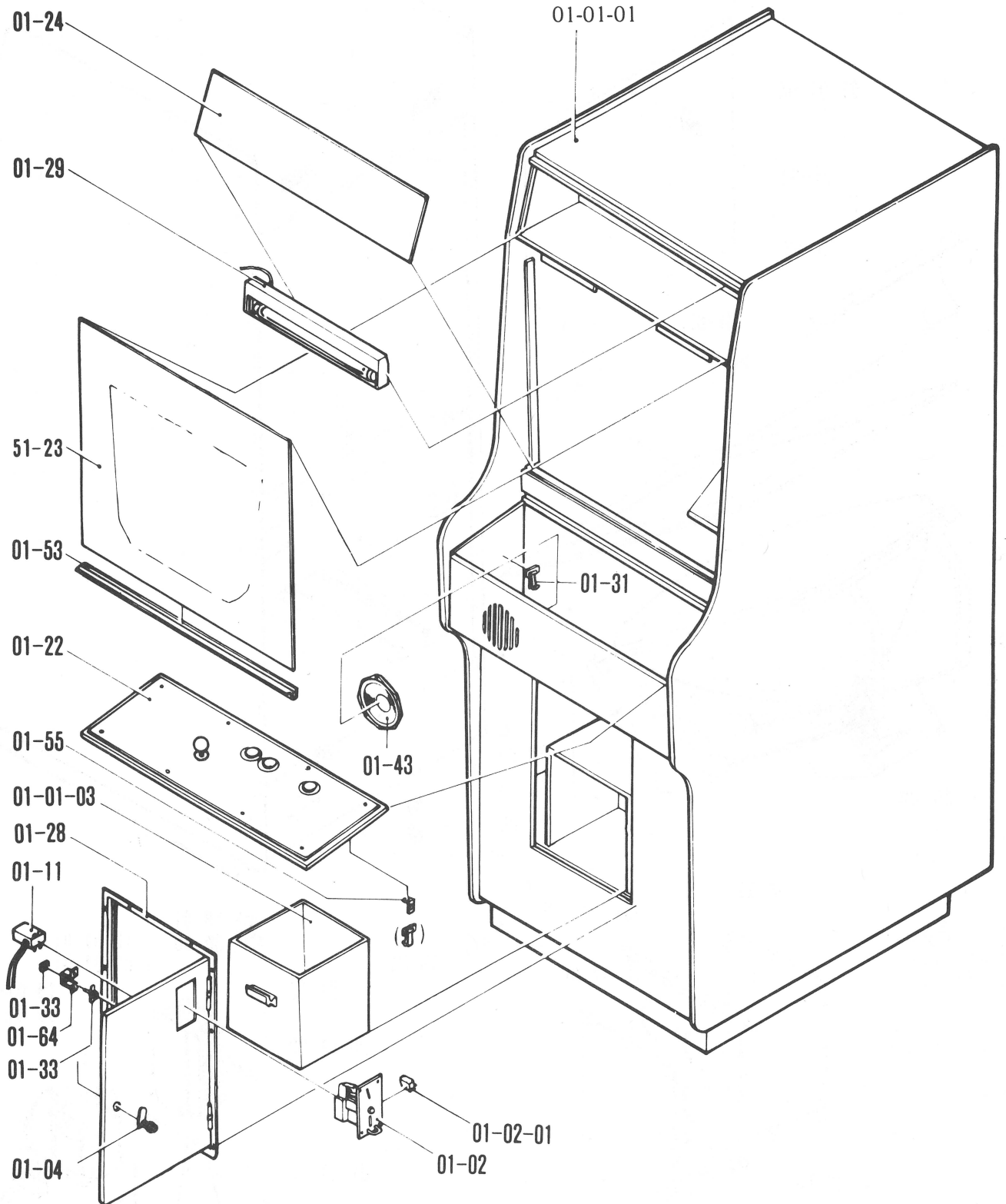
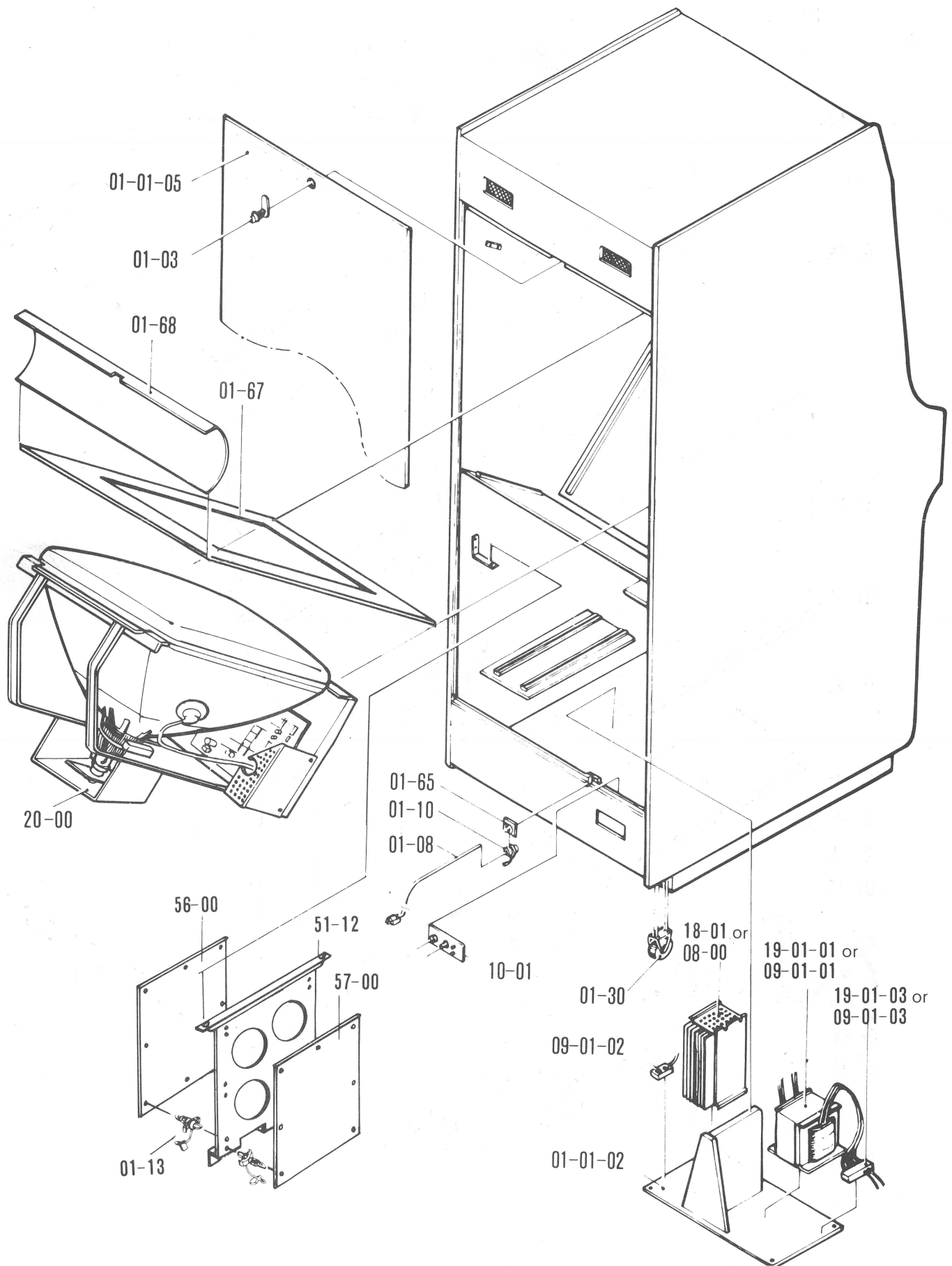


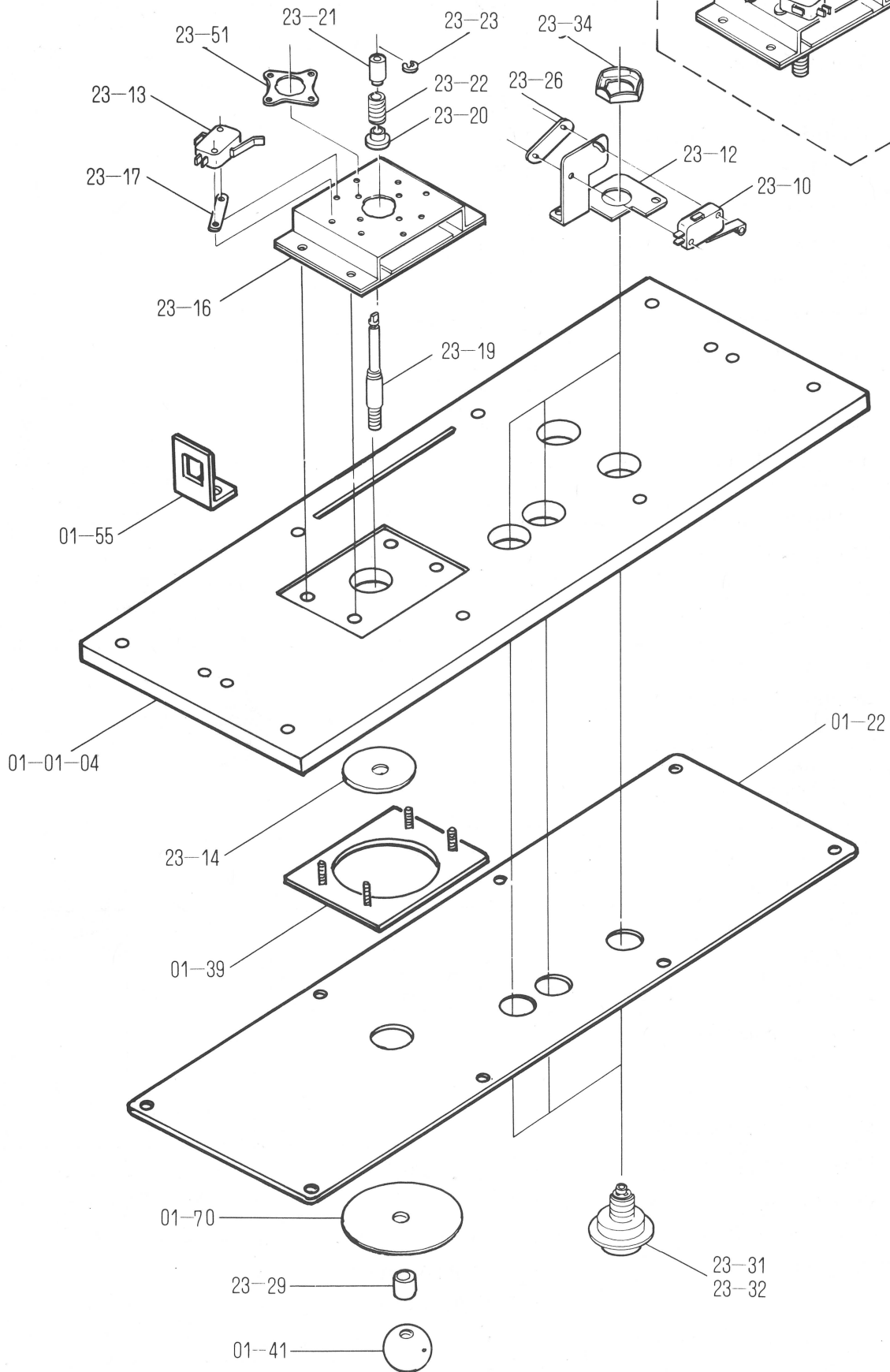
Body





Operation Panel Assembly

23-50 4 Way Control Lever A'ssy



## DJR-Body

No.	Name of Parts	Q'ty	Remarks
DJRU-01-01-01	Body	1	
DJRU-01-01-02	Transformer Base	1	
DJRU-01-01-03	Cash Box	1	
DJRU-01-01-04	Control Lever Ass'y Base	1	
DJRU-01-01-05	Back Door	1	
DJRU-01-02	Coin Selector	1	T
DJRU-01-02-01	Coin Switch	1	T
DJRU-01-03	Back Door Lock	1	
DJRU-01-04	Front Door Lock	1	
DJRU-01-08	Power Cord	1	
DJRU-01-10	Strain Relief Bushing	1	T
DJRU-01-11	Game Counter	1	T
DJRU-51-12	TKG4 P.C.Board Mounting Bracket	1	
DJRU-01-13	P.C.Board Support	16	
DJRU-01-22	Operation Panel	1	
DJRU-51-23	Front Screen	1	
DJRU-01-24	Name Plate	1	
DJRU-01-28	Front Door Ass'y	1	
DJRU-01-29	Fluorescent Lamp Ass'y	1	
DJRU-01-30	Caster	2	
DJRU-01-31	Operation Panel Ass'y Fastener (A)	2	
DJRU-01-33	Service Switch	1	T
DJRU-01-39	Control Lever Ass'y Mounting Plate	1	
DJRU-01-41	Control Lever Knob	1	
DJRU-01-43	Speaker	1	
DJRU-01-53	Front Screen Frame (Lower)	1	
DJRU-01-55	Operation Panel Ass'y Fastener (B)	2	
DJRU-01-64	Service Switch Bracket	1	
DJRU-01-65	Strain Relief Bushing Plate	1	
DJRU-01-67	Blind Cardboard (Large)	1	
DJRU-01-68	Blind Cardboard (Small)	1	
DJRU-01-70	Control Knob Plate	1	
DJRU-56-00	VIDEO P.C.Board	1	(DJR1-VIDEO)
DJRU-57-00	CPU P.C.Board	1	(DJR1-CPU)
DJRU-08-00	(PP-7A) Power P.C.Board	1	T
DJRU-18-01	(PP-7B) Power P.C.Board	1	T

No.	Name of Parts	Q'ty	Remarks
DJRU-09-01-01	(PT-8A) Power Transformer	1	
DJRU-19-01-01	(PT-821B) Power Transformer	1	
DJRU-09-01-02	2P Table Tap	1	
DJRU-09-01-03	Terminal Block	1	(Sexipolar)
DJRU-19-01-03	Terminal Block	1	(Quadrupolar)
DJRU-10-01	Power Switch Ass'y	1	
DJRU-13-01	10P CLK Harness Connector	1	T
DJRU-13-02	2P Counter Harness Connector	1	
DJRU-13-03	9P CPU Harness Connector	1	T
DJRU-13-04	3P Coin Harness Connector	1	
DJRU-13-05	5P Service Harness Connector	1	
DJRU-13-06	2P Speaker TV Harness Connector	1	
DJRU-13-07	4P-750 Audio Harness Connector	1	T
DJRU-13-10	9P Main Switch Harness Connector	1	
DJRU-13-11	17P Junction Harness Connector	1	
DJRU-13-12	50P Flat Cable	2	T
DJRU-13-17	2P Speaker Harness Connector	1	
DJRU-13-28	3P Junction Harness Connector	1	
DJRU-13-29	4P Main Switch Harness Connector	1	
DJRU-13-31	6P-1000 Video Harness Connector	1	
DJRU-20-00	Video Monitor	1	(20-5F)
DJRU-23-10	Micro Switch	3	
DJRU-23-12	Switch Button Bracket	3	
DJRU-23-13	Control Switch	4	T
DJRU-23-14	Blind Plate	1	T
DJRU-23-16	Bearing Bracket	1	T
DJRU-23-17	Switch Spacer	4	T
DJRU-23-19	Schaft	1	T
DJRU-23-20	Spring Stopper	1	T
DJRU-23-21	Switch Collar	1	T
DJRU-23-22	Lever Spring	1	T
DJRU-23-23	E Ring 4	1	T
DJRU-23-26	Nut Plate	3	
DJRU-23-29	Control Knob Collar	1	T
DJRU-23-31	Switch Button Ass'y (Blue)	2	
DJRU-23-32	Switch Button Ass'y (Orange)	1	
DJRU-23-34	Pal Nut	3	
DJRU-23-50	4 Way Control Lever Ass'y	1	T
DJRU-23-51	4 Way Guide Plate	1	T

7-6 DONKEY KONG JUNIOR  
VIDEO P.C. Board

No.	Name of Parts	Q'ty	Remarks
DJR-56-00	VIDEO P.C.Board	1	Complete Set (TKG4-11-VIDEO)
DJR-56-01	IC SN74LS00	2	Quadruple 2-Input Positive NAND Gates
DJR-56-02	IC SN 74LS02	3	Quadruple 2-Input Positive Nor Gates
DJR-56-03	IC SN74LS04	6	Hex Inverters
DJR-56-04	IC SN74LS08	1	Quadruple 2-Input AND Gate
DJR-56-05	IC SN74LS10	1	Tri 3 Input NAND Gate
DJR-56-06	IC SN74LS20	4	Dual 4-Input Positive NAND Gate
DJR-56-07	IC SN74LS30	1	8-Input Positive NAND Gate
DJR-56-08	IC SN74LS32	1	Quadruple 2-Input Positive or Gate
DJR-56-09	IC SN74LS74	4	Dual D-Type Edge-Triggered Flip-Flop w/Set and Reset
DJR-56-10	IC SN74LS86	7	Quadruple 2-Input Executive OR Gate
DJR-56-11	IC SN74LS109	1	Dual J-K Positive Edge-Triggered Flip-Flops with Preset and Clear
DJR-56-12	IC SN74LS123	2	Dual Retriggerable Single Shot
DJR-56-13	IC SN74LS139	1	Dual 2-to 4-Line Decoder/Demultiplexer
DJR-56-14	IC SN74LS157	14	Quadruple 2-Line to 1-Line Data
DJR-56-15	IC SN74LS161	4	Synchronous Presettable 4-Bit Binary Counter w/Direct Reset
DJR-56-16	IC SN74LS163	2	4-Bit Binary Counter with Synchronous clear
DJR-56-17	IC SN74LS174	1	Hex D-Type Flip-Flop w/Reset RAM
DJR-56-18	IC SN74LS175	2	Quadruple D-Type Flip-Flop w/Reset
DJR-56-19	IC-SN74LS245	2	Octal 3-State Bus Transceivers
DJR-56-20	IC SN74LS273	4	Octal D-FFS
DJR-56-21	IC SN74LS283	8	4 Bit Binary Full Adder
DJR-56-22	IC SN74LS299	6	8 Bit Bidirectional Universal Shift/Storage
DJR-56-23	IC SN74LS367	2	Hex Bus Driver w/3 State Output
DJR-56-24	IC SN74LS373	2	Octal 3-State D-Latches
DJR-56-25	IC SN74LS377	1	Octal D-Type Flip-Flops
DJR-56-26	IC SN74S161	3	Schotkey 4-Bit Binary Counter with Direct Clear
DJR-56-27	IC MB10105	1	Triple 2-3-2-Input OR/NOR Gates
DJR-56-28	IC MB10116	1	Triple Line Receivers
DJR-56-29	IC MB10124	4	Quadruple TTL-to-ECL Translators
DJR-56-30	IC MB10125	3	Quadruple ECL-to-TTL Translators
DJR-56-31	IC MB10136	1	Universal Hexadecimal Counter
DJR-56-32	IC 2716	4	2048 x 8 Bit EP-ROM
DJR-56-33	IC MB7074	2	ECL-RAM (MBM10422) with Radiator Fin

No.	Name of Parts	Q'ty	Remarks
DJR-56-34	IC 2732	2	4096 x 8 Bit EP-ROM
DJR-56-35	IC MB93419	1	64 x 9 Bipolar RAM
DJR-56-36	IC MB8114	2	1024 x 4-Bit Static MOS RAM
DJR-56-37	IC MB8148L55	2	1024 x 4-Bit Static RAM
DJR-56-38	IC 24S10	1	256 x 4-Bit Bipolar P-ROM
DJR-56-39	Resistor Array	4	RNSA-09P-551J 8-device 510 $\Omega$
DJR-56-40	Resistor Array	1	RNSA-09P-102J 8-device 1k $\Omega$
DJR-56-41	Variable Resistor	2	50k $\Omega$ 1/3W
DJR-56-42	Resistor (Carbon)	2	10k $\Omega$ 1/4W $\pm$ 5%
DJR-56-43	Resistor (Carbon)	12	510 $\Omega$ 1/4W $\pm$ 5%
DJR-56-44	Resistor (Carbon)	2	15k $\Omega$ 1/4W $\pm$ 5%
DJR-56-45	Resistor (Carbon)	4	2.2k $\Omega$ 1/4W $\pm$ 5%
DJR-56-46	Resistor (Carbon)	2	4.7k $\Omega$ 1/4W $\pm$ 5%
DJR-56-47	Resistor (Carbon)	1	22k $\Omega$ 1/4W $\pm$ 5%
DJR-56-48	Resistor (Carbon)	1	27k $\Omega$ 1/4W $\pm$ 5%
DJR-56-49	Resistor (Carbon)	24	1k $\Omega$ 1/4W $\pm$ 5%
DJR-56-50	Electrolytic Capacitor	2	220 $\mu$ F 16V
DJR-56-51	Electrolytic Capacitor	2	1 $\mu$ F 50V
DJR-56-52	Ceramic Capacitor	1	47pF 50V
DJR-56-53	Ceramic Capacitor	128	0.01 $\mu$ F 50V
DJR-56-54	Ceramic Capacitor	1	33pF 50V
DJR-56-55	Ceramic Capacitor	2	10pF 50V
DJR-56-56	Ceramic Capacitor	4	220pF 50V
DJR-56-57	Ceramic Capacitor	2	68pF 50V
DJR-56-58	Ceramic Capacitor	1	330pF 50V
DJR-56-60	Polyester Film Capacitor	1	1000pF 50V (102kz)
DJR-56-61	Polyester Film Capacitor	1	0.1 $\mu$ F 50V
DJR-56-62	Polyester Film Capacitor	1	0.022 $\mu$ F 50V
DJR-56-63	Transistor	2	2SC1215-R/S/T
DJR-56-64	Crystal Oscillator	1	61.44MHz (HC-18U)

No.	CPU P.C. Board Name of Parts	Q'ty	Remarks
DJR-57-00	CPU P.C.Board	1	Complete Set (TKG4-11-CPU)
DJR-57-01	IC SN74LS00	2	Quadruple 2-Input Positive NAND Gates
DJR-57-02	IC SN74LS02	2	Quadruple 2-Input Positive NOR Gate
DJR-57-03	IC SN74LS04	6	Hex Inverters
DJR-57-04	IC SN74LS08	1	Quadruple 2-Input AND Gates
DJR-57-05	IC SN74LS32	1	Quadruple 2-Input Positive OR Gate
DJR-57-06	IC SN74LS74	2	Dual D-Type Edge-Triggered Flip-Flop w/Set and Reset
DJR-57-07	IC SN74LS86	1	Quadruple 2-Input Exclusive OR Gate
DJR-57-08	IC SN74LS123	4	Dual Retriggerable Single Shot
DJR-57-09	IC SN74LS125	1	Quadruple 3 State Bus Buffers
DJR-57-10	IC SN74LS132	1	Quadruple 2-Input NAND Schmit Triggers
DJR-57-11	IC SN74LS138	5	3-to-8-Line Decoder/Demultiplexer
DJR-57-12	IC SN74LS139	1	Dual 2-to-4-Line Decoder/Demultiplexer
DJR-57-13	IC SN74LS157	1	2-to-1-Line Data Selectors/Multiplexers
DJR-57-14	IC SN74LS164	2	8-Bit Serial-In Parallel-Out Shift Register
DJR-57-15	IC SN74LS174	3	Hex D-Type Flip-Flop
DJR-57-17	IC SN74LS240	4	Octal Buffer/Line Driver/Line Receiver w/3-State
DJR-57-18	IC SN74LS245	1	Octal 3-State Bus Transceivers
DJR-57-19	IC SN74LS259	3	8-Bit Addressable Latches
DJR-57-20	IC SN74LS367	6	Hex Bus Driver w/3 State Output
DJR-57-21	IC SN74LS373	3	Octal 3-State D-latches
DJR-57-22	IC SN74LS629	3	Voltage Control Oscillators
DJR-57-23	IC MB8114	6	1024 x 4-Bit Static MOS RAM
DJR-57-24	IC 2764	3	8192 x 8-Bit EP ROM
DJR-57-25	IC Z80A	1	8-Bit Microprocessor
DJR-57-26	IC 24S10	2	Bipolar ROM 256 x 4-Bit
DJR-57-27	IC 8257-5	1	DMA Controller
DJR-57-28	IC 2732	1	4096 x 8-Bit EP ROM
DJR-57-29	IC MB8884	1	8-Bit Microprocessor
DJR-57-30	IC MB3614	1	Lower Power Quadruple Operational Amplifiers
DJR-57-31	IC 3192	1	Custom
DJR-57-32	IC DAC08CQ	1	8-Bit Digital-to-Analog Converter
DJR-57-33	IC CD4020B	1	14-Stage Binary Ripple Counter



No.	Name of Parts	Q'ty	Remarks
DJR-57-34	Transistor	4	2SC1815
DJR-57-35	Transistor	1	2SC1384-R
DJR-57-36	Transistor	4	2SC828-P/Q
DJR-57-37	Transistor	2	2SA564-P/Q/R
DJR-57-38	Diode	10	IS953
DJR-57-39	Diode	1	W03B
DJR-57-40	Dip Switch	1	B-8A
DJR-57-41	Aluminium Electrolytic Capacitor	2	470 $\mu$ F 16V
DJR-57-42	Electrolytic Capacitor	1	220 $\mu$ F 16V
DJR-57-43	Electrolytic Capacitor	1	33 $\mu$ F 16V
DJR-57-44	Electrolytic Capacitor	3	1 $\mu$ F 50V
DJR-57-45	Electrolytic Capacitor	1	4.7 $\mu$ F 50V
DJR-57-46	Electrolytic Capacitor	2	3.3 $\mu$ F 50V
DJR-57-47	Electrolytic Capacitor	15	10 $\mu$ F 16V
DJR-57-48	Electrolytic Capacitor	2	100 $\mu$ F 16V
DJR-57-49	Electrolytic Capacitor	3	47 $\mu$ F 16V
DJR-57-50	Ceramic Capacitor	3	0.068 $\mu$ F 25V
DJR-57-51	Ceramic Capacitor	82	0.01 $\mu$ F 50V
DJR-57-52	Ceramic Capacitor	1	0.022 $\mu$ F 25V
DJR-57-53	Ceramic Capacitor	2	22pF 50V
DJR-57-54	Ceramic Capacitor	2	0.47 $\mu$ F 50V
DJR-57-56	Polyester Film Capacitor	1	0.01 $\mu$ F 50V
DJR-57-57	Polyester Film Capacitor	1	0.22 $\mu$ F 50V
DJR-57-58	Polyester Film Capacitor	1	0.022 $\mu$ F 50V
DJR-57-59	Polyester Film Capacitor	1	0.0047 $\mu$ F 50V
DJR-57-60	Polyester Film Capacitor	2	0.12 $\mu$ F 50V
DJR-57-61	Polyester Film Capacitor	1	0.056 $\mu$ F 50V
DJR-57-62	Tantalum Capacitor	3	10 $\mu$ F 16V
DJR-57-63	Tantalum Capacitor	1	4.7 $\mu$ F 16V
DJR-57-64	Tantalum Capacitor	2	22 $\mu$ F 16V
DJR-57-65	Series Resistor Array	3	1k $\Omega$ PNSA-09P-102J
DJR-57-66	Parallel Resistor Array	6	68 $\Omega$ PNSB-08P-680J
DJR-57-67	Series Resistor Array	1	4.7k $\Omega$ PNSB-09P-472J
DJR-57-68	Resistor (Carbon)	6	47k $\Omega$ 1/4W $\pm$ 5%
DJR-57-69	Resistor (Carbon)	1	2k $\Omega$ 1/4W $\pm$ 5%
DJR-57-70	Resistor (Carbon)	6	4.7k $\Omega$ 1/4W $\pm$ 5%
DJR-57-71	Resistor (Carbon)	9	10k $\Omega$ 1/4W $\pm$ 5%
DJR-57-72	Resistor (Carbon)	7	100k $\Omega$ 1/4W $\pm$ 5%
DJR-57-73	Resistor (Carbon)	15	1k $\Omega$ 1/4W $\pm$ 5%
DJR-57-74	Resistor (Carbon)	2	5.6k $\Omega$ 1/4W $\pm$ 5%

No.	Name of Parts	Q'ty	Remarks
DJR-57-75	Resistor (Carbon)	1	120Ω 1/4W ±5%
DJR-57-76	Resistor (Carbon)	1	150Ω 1/4W ±5%
DJR-57-77	Resistor (Carbon)	2	20KΩ 1/4W ±5%
DJR-57-78	Resistor (Carbon)	1	150KΩ 1/4W ±5%
DJR-57-79	Resistor (Carbon)	1	30KΩ 1/4W ±5%
DJR-57-80	Resistor (Carbon)	1	43KΩ 1/4W ±5%
DJR-57-81	Resistor (Carbon)	1	13KΩ 1/4W ±5%
DJR-57-83	Resistor (Carbon)	5	68Ω 1/4W ±5%
DJR-57-84	Resistor (Carbon)	7	330Ω 1/4W ±5%
DJR-57-85	Resistor (Carbon)	2	33kΩ 1/4W ±5%
DJR-57-86	Resistor (Carbon)	4	220Ω 1/4W ±5%
DJR-57-87	Resistor (Carbon)	5	470Ω 1/4W ±5%
DJR-57-88	Resistor (Carbon)	1	680Ω 1/4W ±5%
DJR-57-89	Resistor (Carbon)	4	100Ω 1/4W ±5%
DJR-57-90	Resistor (Carbon)	1	200Ω 1/4W ±5%
DJR-57-91	Crystal Oscillator	1	HC-18U-182 (6.000MHz)

No.	Name of Parts	Q'ty	Remarks
DJR-18-01	(PP-7B) Power P.C.Board	1	Complete Set
DJR-18-02	Transistor	1	2SC2555
DJR-18-03	Transistor	2	2SA817
DJR-18-04	Transistor	1	2SC2535
DJR-18-05	Transistor	1	2SA1015
DJR-18-06	Fast Recovery Center Tap Diode	1	CTU-2S
DJR-18-07	Shot Key Diode	2	CTB33S
DJR-18-08	Silicon Rectifier Diode	1	S4VB40 4A 400VW
DJR-18-09	Silicon Rectifier Diode	1	1B4B41
DJR-18-10	Hybrid IC	2	3D-1001
DJR-18-11	3 Terminals Regulators	1	7824
DJR-18-12	3 Terminals Regulators	1	7812
DJR-18-13	Thyristors	1	5P4M
DJR-18-14	Thyristors	1	03P05M
DJR-18-15	Diode	4	1S954
DJR-18-16	Diode	4	10DF-4
DJR-18-17	Photo Coupler	1	PC614
DJR-18-18	Zener Diode	1	05Z5.6U
DJR-18-19	Zener Diode	1	05Z5.1L
DJR-18-20	Zener Diode	1	05Z5.6Z
DJR-18-21	Ceramic Capacitor	3	DE0707B471K2K 470pF2KV
DJR-18-22	Ceramic Capacitor	1	0.1MF 50V
DJR-18-23	Film Capacitor	3	MDD2J473M 0.047MF 630VW
DJR-18-24	Film Capacitor	2	0.01MF 50V
DJR-18-25	Film Capacitor	2	1000pF 50V
DJR-18-26	Aluminum Electrolytic Capacitor	1	1000MF 50V
DJR-18-27	Aluminum Electrolytic Capacitor	2	47MF 35V
DJR-18-28	Aluminum Electrolytic Capacitor	7	47MF 16V
DJR-18-29	Aluminum Electrolytic Capacitor	4	3300MF 10V
DJR-18-30	Aluminum Electrolytic Capacitor	2	100MF 25V
DJR-18-31	Aluminum Electrolytic Capacitor	5	10MF 16V
DJR-18-32	Aluminum Electrolytic Capacitor	2	330MF 200V
DJR-18-33	Aluminum Electrolytic Capacitor	1	1000MF 25V
DJR-18-34	Resistor (Coil Winding)	1	20 OHM 2W
DJR-18-35	Resistor (Carbon)	5	1K OHM ¼W±5%
DJR-18-36	Resistor (Carbon)	8	51 OHM ¼W±5%
DJR-18-37	Resistor (Carbon)	6	12 OHM ½W±5%
DJR-18-38	Resistor (Carbon)	1	470 OHM ¼W±5%
DJR-18-39	Resistor (Carbon)	1	22 OHM ½W±5%
DJR-18-40	Resistor (Carbon)	2	20K OHM ½W±5%

No.	Name of Parts	Q'ty	Remarks
DJR-18-41	Resistor (Carbon)	1	100 OHM ½W
DJR-18-42	Resistor (Cement)	1	20 OHM 5W
DJR-18-43	Resistor (Metal Oxide)	1	510 OHM 3W
DJR-18-44	Variable Resistor	2	50K OHM GF06P
DJR-18-45	Variable Resistor	2	2K OHM GF06P
DJR-18-46	Shunt Resistor	2	5m OHM
DJR-18-47	SC Coil	1	SC-02
DJR-18-48	SF Coil	2	100MH 5A
DJR-18-49	SF Coil	2	800MH 2A
DJR-18-50	Oscillator Transformer	1	EC-35 Type 3D-0097
DJR-18-51	Oscillator Transformer	1	EI-30 Type 3D-0097
DJR-18-52	Oscillator Transformer	2	EE-16 Type 3D-1000
DJR-18-53	Fuse Element	1	FGMB 4A 125V NR Type

NOTES

