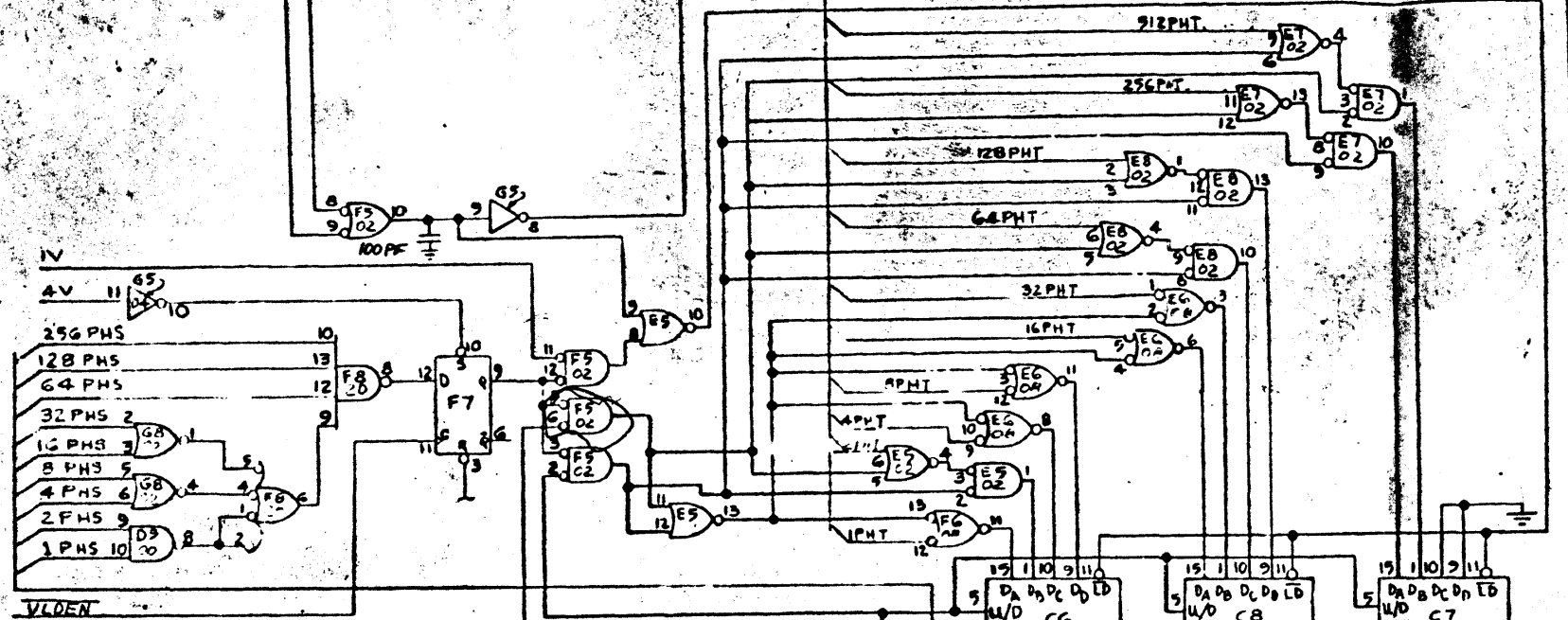
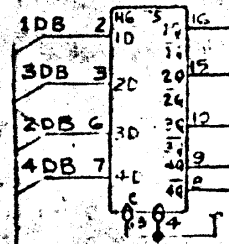
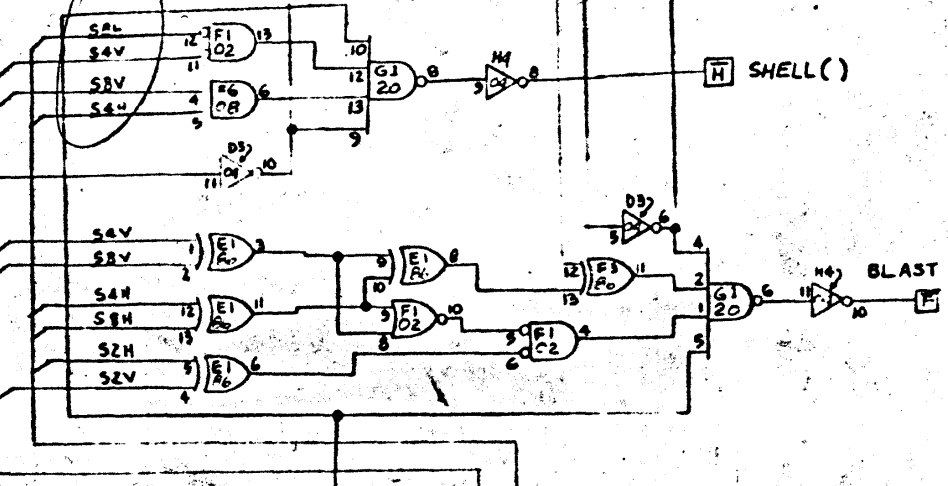


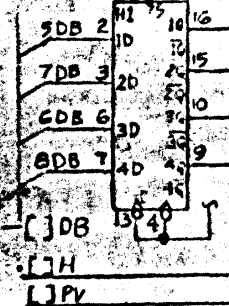
EXPL() FLASH [ ] PHT



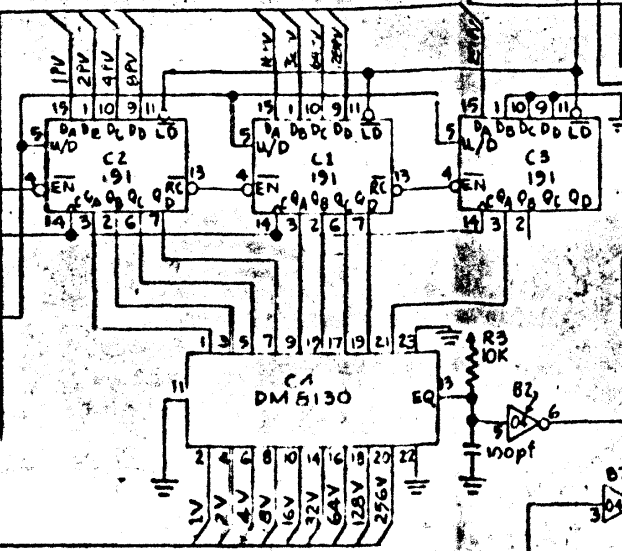
Sket  
bender



COUNT INIT  
FIRE()  
BHB  
RES DIS



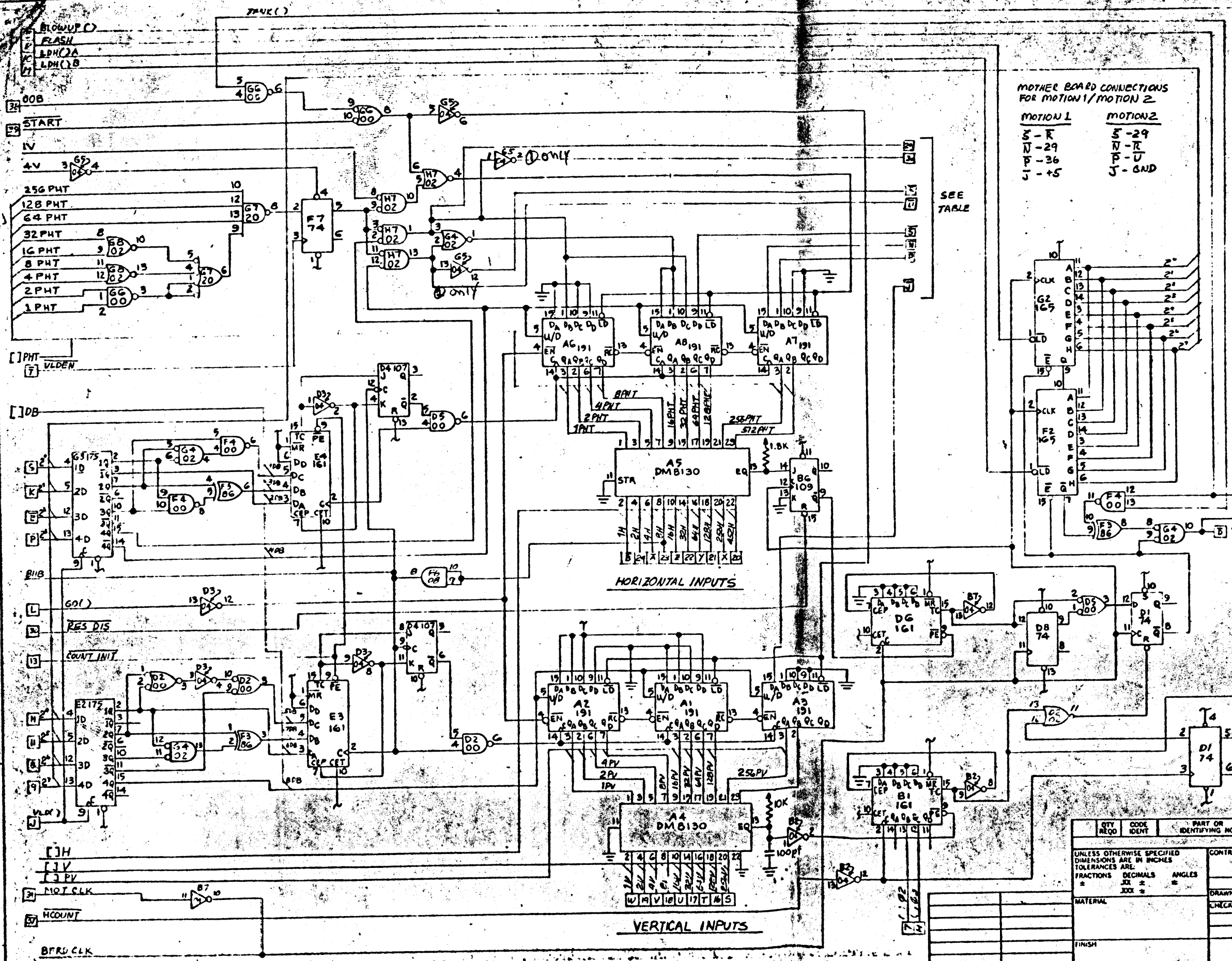
C3V  
HCOUNT  
BFRP CLK



UNLESS OTHERWISE SPECIFIED  
DIMENSIONS ARE IN INCHES  
TOLERANCES ARE  
FRACTIONS DECIMALS ANGLES  
\* 2X \* 3X

MATERIAL

REVISIONS			
REV	DATE	DESCRIPTION	APPROVED



MOTHER BOARD CONNECTIONS FOR MOTION 1/MOTION 2

MOTION 1	MOTION 2
S - R	S - 29
N - 29	N - R
P - 36	P - U
L - +5	J - GND

**SYMBOLS**

T INDICATES PULLUP TO +5 THRU 1K RES.

( ) = 1 FOR BOARD ONE  
2 FOR BOARD TWO

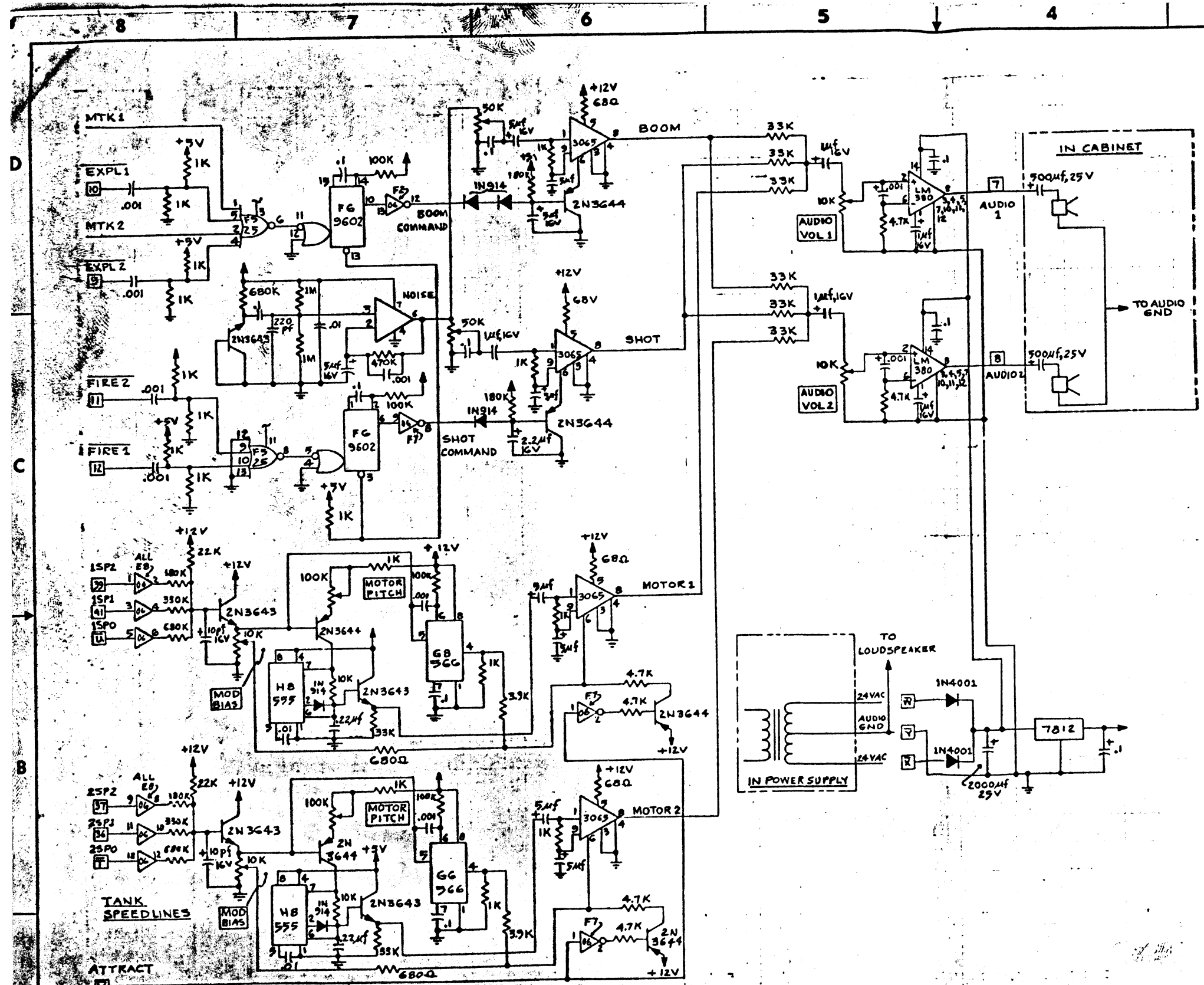
[ ] = ALL SIGNALS OF SIMILAR NAME

QTY REQD	CODE IDENT	PART OR IDENTIFYING NO.	NOMENCLATURE OR DESCRIPTION

UNLESS OTHERWISE SPECIFIED DIMENSIONS ARE IN INCHES TOLERANCES ARE: FRACTIONS DECIMALS ANGLES ± .005 ± .001 ± .005		CONTRACT NO.	FUN GAMES OAKLAND CALIF
MATERIAL		APPROVALS	DATE 10-3-15
FINISH		CHECKED	
SIZE	CODE IDENT NO.	DRAWING NO.	
D		101	
SCALE			SHEET 1 OF 2

REVISIONS			
ZONE	LTR	DESCRIPTION	DATE



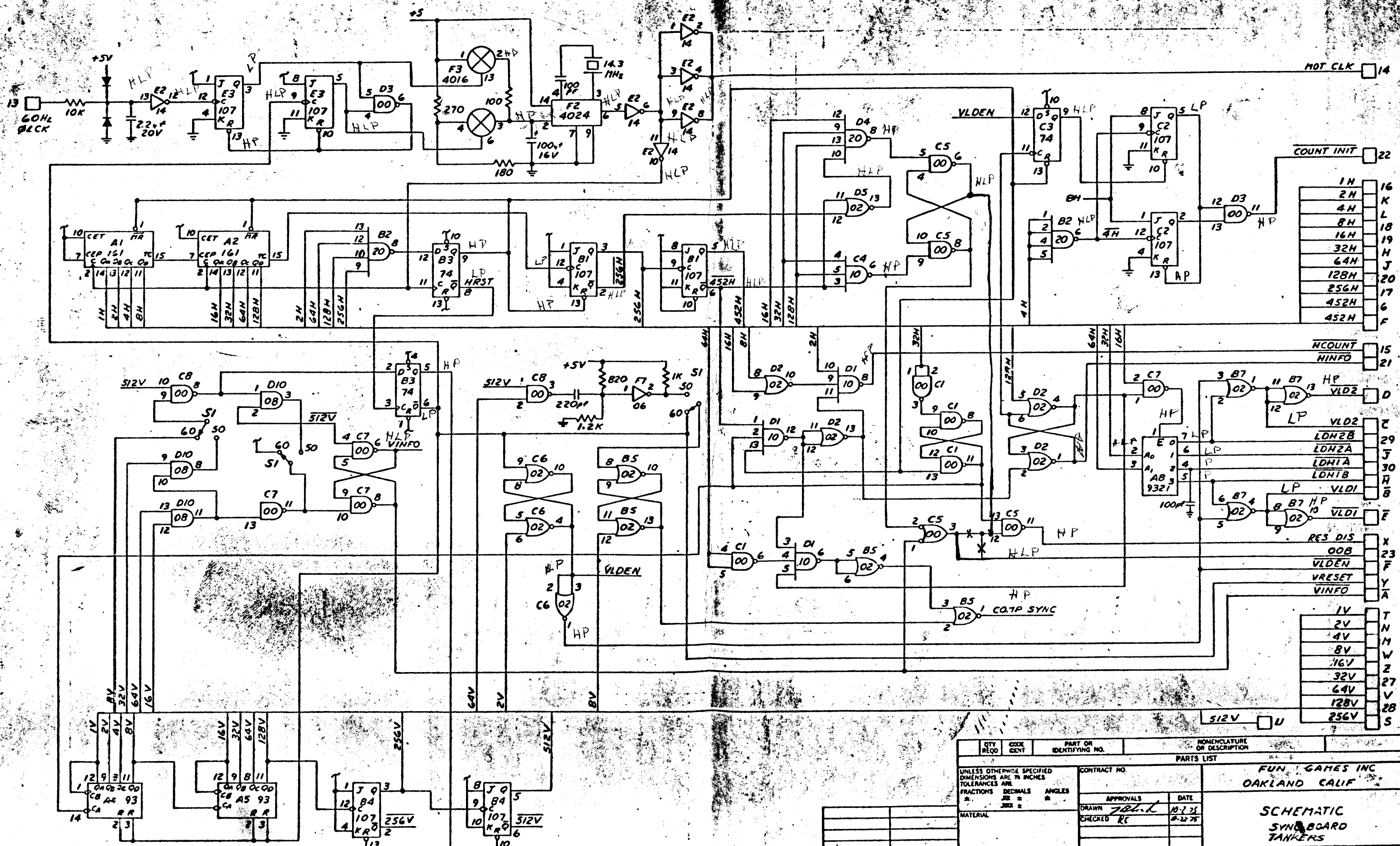
QTY REQD	CODE IDENT	PART OR IDENTIFYING NO.	NOMENCLATURE OR DESCRIPTION
PARTS LIST			
UNLESS OTHERWISE SPECIFIED DIMENSIONS ARE IN INCHES TOLERANCES ARE:		CONTRACT NO.	
FRACTIONS ±	DECIMALS ±	ANGLES ±	FUN GAMES OAKLAND CALIF
MATERIAL		APPROVALS	DATE
FINISH		CHECKED	
NEXT ASSY		DRAWN <i>TS</i> 10-7-15	
USED ON		CHECKED	
APPLICATION		SCALE	

SIZE	CODE IDENT NO.	DRAWING NO.
D		102
SCALE		SHEET 1 OF 3



ZONE LTR		REVISIONS	DATE	APPROVED

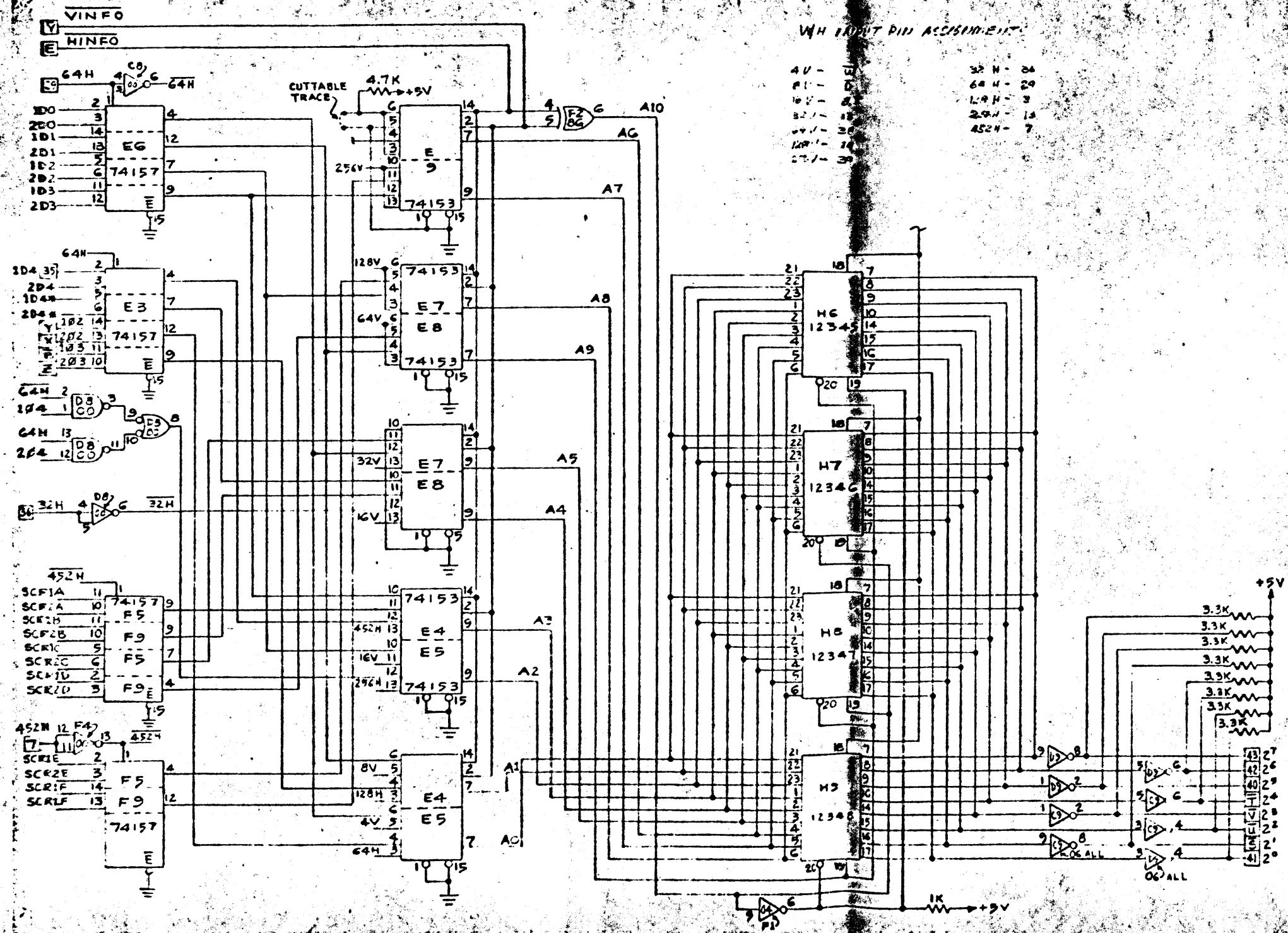


QTY REQD	CODE IDENT	PART OR IDENTIFYING NO.	NOMENCLATURE OR DESCRIPTION
PARTS LIST			
UNLESS OTHERWISE SPECIFIED DIMENSIONS ARE IN INCHES TOLERANCES ARE FRACTIONS DECIMALS ANGLES		CONTRACT NO.	
MATERIAL		APPROVALS DATE	
FINISH		DRAWN 781.1 10-2-75	
NEXT ASSY USED ON		CHECKED RC 10-2-75	
APPLICATION		DO NOT SCALE DRAWING	
		FUN GAMES INC OAKLAND CALIF	
		SCHEMATIC SYN BOARD TANKERS	
SIZE D		CODE IDENT NO. DRAWING NO. 102	
		SCALE SHEET 3 OF 3	





REVISIONS		
ZONE	LTR	DATE



QTY	REQD	CODE	IDENT	PART OR IDENTIFYING NO.	NOMENCLATURE OR DESCRIPTION
UNLESS OTHERWISE SPECIFIED DIMENSIONS ARE IN INCHES TOLERANCES ARE FRACTIONS DECIMALS ANGLES ± .01 ± .005 ± .002					
MATERIAL				CONTRACT NO.	APPROVALS
FINISH				CHECKED	DATE
NEXT ASSY				USED ON	
APPLICATION				DO NOT SCALE DRAWING	

PARTS LIST		
FULL GAME'S OAKLAND CANIF		
SCHEMATIC HEAVY BOARD TANKER		
SIZE	CODE IDENT NO	DRAWING NO.
D		104
SCALE		SHEET OF