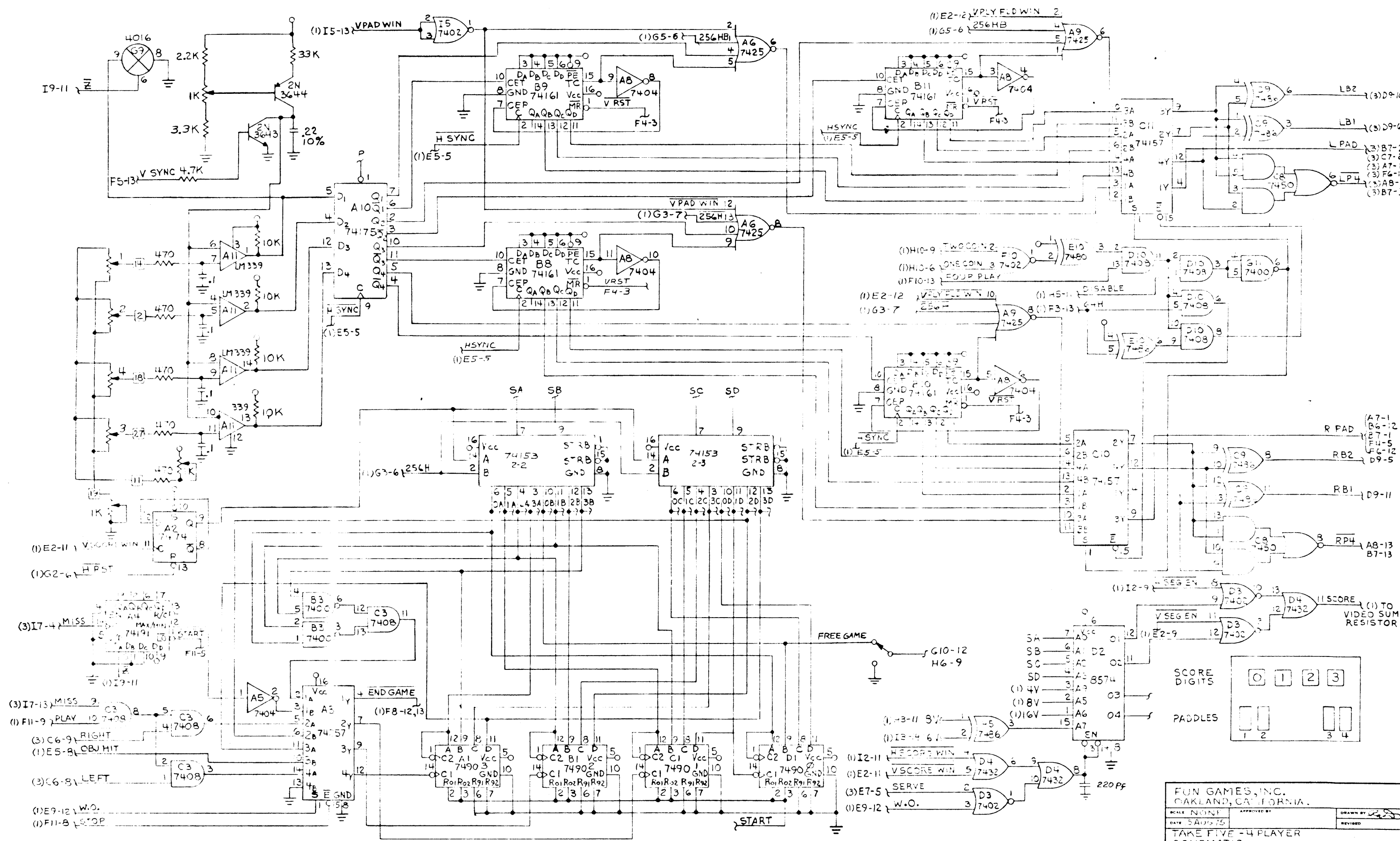


NOTES:  
 ? INDICATES DIRECT CONNECTION TO +5V  
 P INDICATES CONNECTION TO +5V THRU 1K RESISTOR  
 ( ) SHEET OF DRAWING WHERE ORIGINATES/USED-OMITTED IF ON SAME SHEET  
 [ ] FOR 50/60 HZ, SEE SUPPLEMENT D.A.G.

**FUN GAMES, INC.**  
 OAKLAND, CALIFORNIA

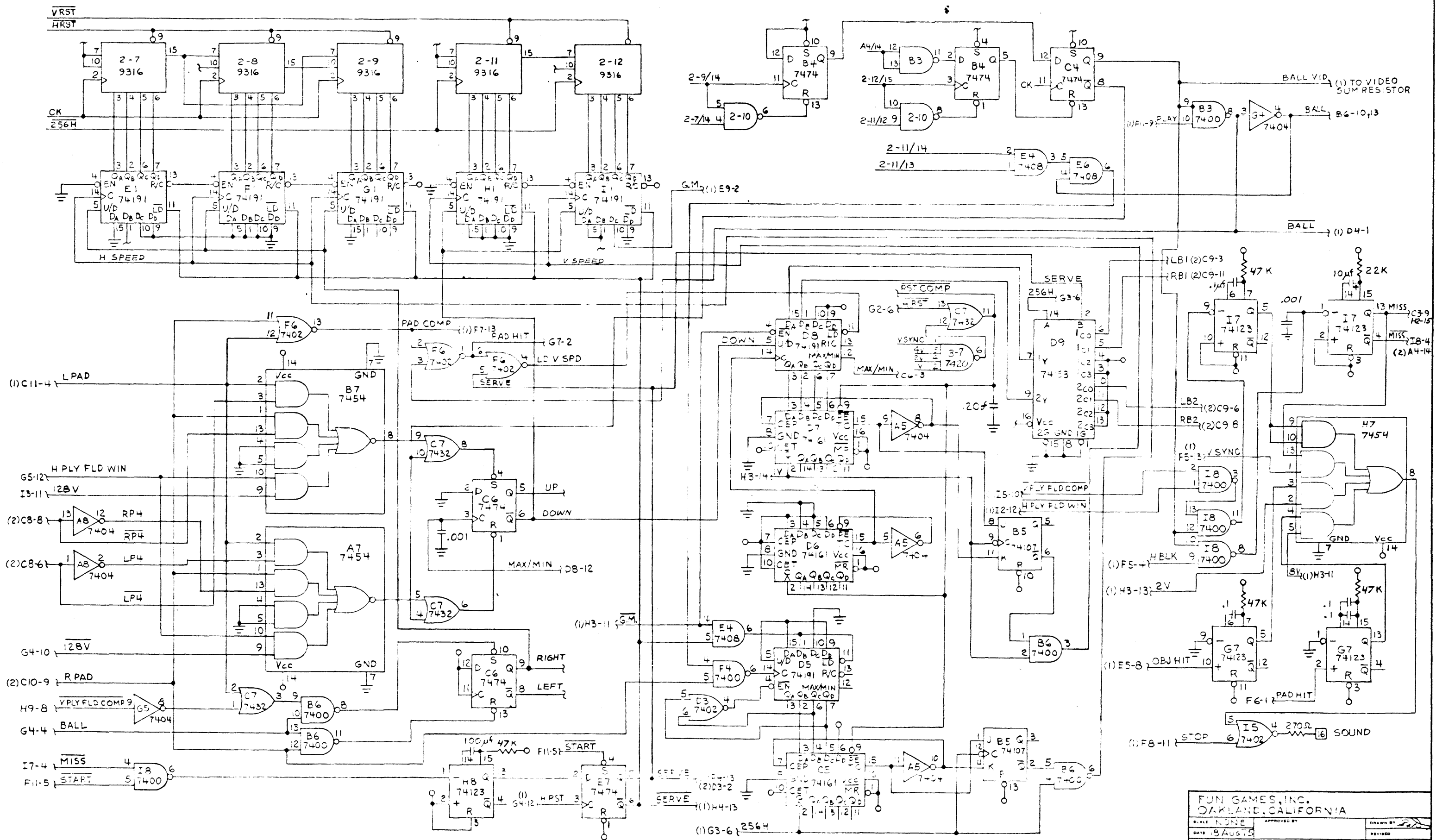
SCALE: NONE	APPROVED BY:	DRAWN BY:
DATE: 10/20/75		REVISED:
TAKE FIVE - FOUR PLAYER SCHEMATIC		
SHEET 1 OF 3		REV E

F3-13	32H	1	A	ME
F3-12	64H	2	B	H4
F3-11	128H	3	C	H4
G3-6	256H	4	D	74200
I3-12	6+V	10	F	
I3-11	128V	11	G	



FUN GAMES, INC.  
 OAKLAND, CALIFORNIA.

SCALE: NONE	APPROVED BY:	DRAWN BY:
DATE: 5/15/75	REVISION:	
TAKE FIVE - 4 PLAYER SCHEMATIC		
SHEET 2 OF 3	REV E	DRAWING NUMBER:



FUN GAMES, INC.  
 OAKLAND, CALIFORNIA  
 SCALE: NONE  
 DATE: 8 AUG 75  
 TAKE FIVE - 4 PLAYER  
 SCHEMATIC  
 SHEET 3 OF 3  
 REV E  
 DRAWING NUMBER