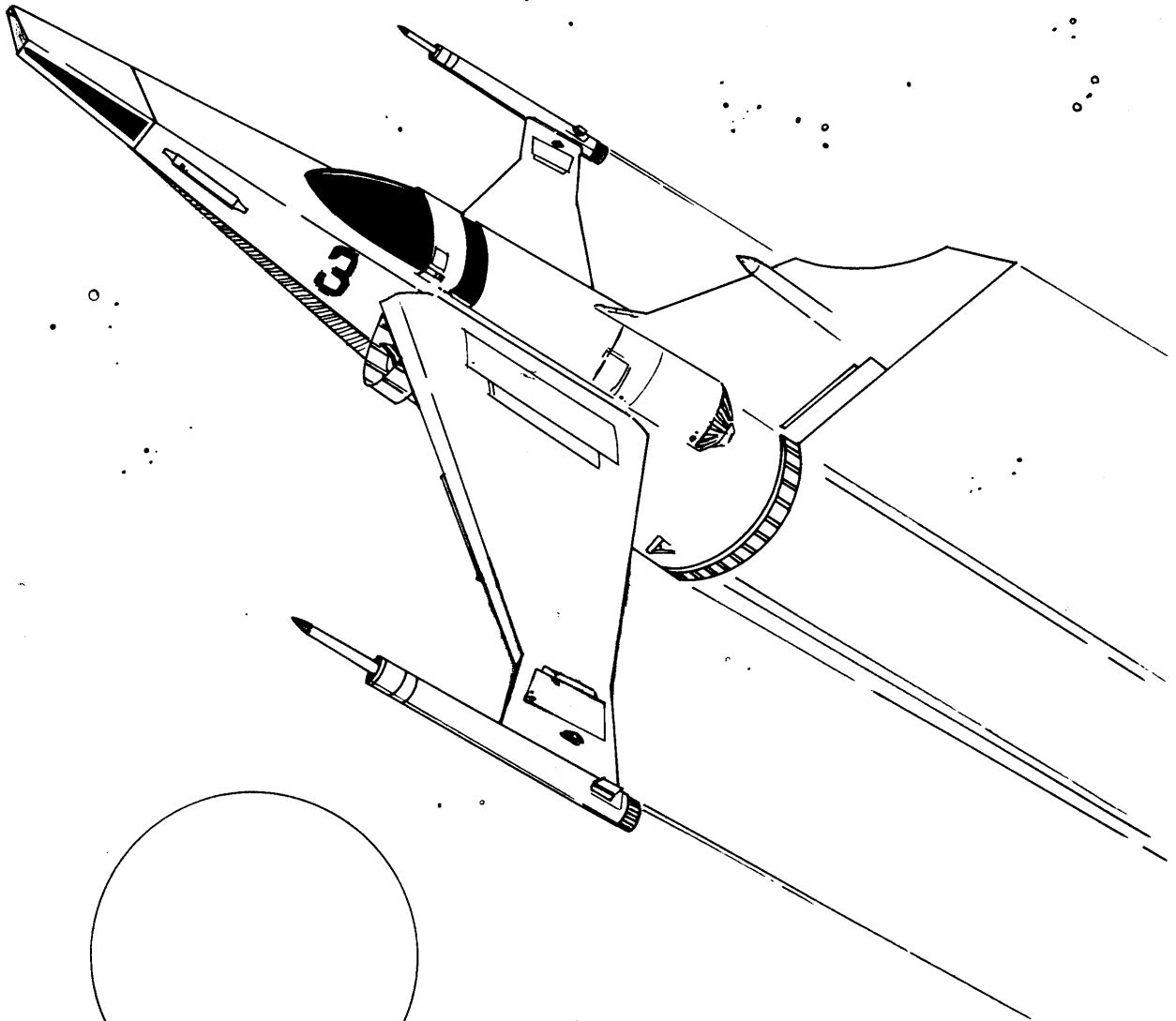


# **STAR FIRE<sup>TM</sup>**

## **OPERATOR'S MANUAL**



APRIL 1979



© 1979 EXIDY inc.

# CONTENTS

<b>I. GENERAL DESCRIPTION</b>	<b>1</b>
<b>II. INSTALLATION AND MOVING</b>	<b>1</b>
<b>III. NORMAL OPERATION</b>	
A. Screen Display, Attract Mode	3
B. Screen Display, Play Mode	3
C. Screen Display, Test Mode	4
D. Audio	4
E. Player Controls	4
F. Awards and Bonuses	4
<b>IV. OPERATOR ADJUSTMENTS</b>	
A. Selectable Options	5
B. Diagnostic Tests	6
C. Power Supply Adjustment	7
<b>V. MECHANICAL DISASSEMBLY</b>	
A. To Remove the Monitor	9
B. To Remove the Control Unit	10
C. To Remove the PC Boards	10
D. To Remove the Power Supply	10
E. To Remove the Logo Panel Lamp	11
<b>VI. TECHNICAL INFORMATION</b>	
A. Player Controls, Mechanical Description	11
B. Player Controls, Adjustment	12
C. Color Monitor Adjustment, General	14
D. Color Monitor Adjustment, PHOTOTEK	14
E. Color Monitor Adjustment, TEKNIKA	14
F. Main RAM Test, Full Version	17
G. Troubleshooting Table	17
H. Wiring Harness Diagram	19
I. Wiring Harness Pinouts	20
J. Selected Parts List	21
K. Schematics	30

## ILLUSTRATIONS

Figure 1.	U-Bracket Placement	1
Figure 2.	Connecting the Modules	2
Figure 3.	Screen Display, Score Table	3
Figure 4.	Screen Display, Target Lock-On	4
Figure 5.	8-Position DIP Switch	5
Figure 6.	Shorting Resistor R3	6
Figure 7.	Power Supply	7
Figure 8.	Rear of Video Module, Back Door Open	8
Figure 9.	PC Board Connectors and Adjustments	9
Figure 10.	Harness Connector Offset	10
Figure 11.	LUMILINE Lamp Fixtures	11
Figure 12.	Control Unit	12
Figure 13.	Screen Display, Control Setup Test	13
Figure 14.	PHOTOTEK Monitor, Adjustments	15
Figure 15.	TEKNIKA Monitor, Adjustments	16

## I. GENERAL DESCRIPTION

Exidy STARFIRE is a single player game which simulates combat between space-going fighters. The player can control the speed and direction of his fighter and attack enemy fighters with his lasers; the enemy fighters shoot fireballs at the player. The object of play is to accumulate points by destroying enemy fighters. A player can buy extra playtime during play and continue the game he is playing, as long as he has any time left; he earns bonus playtime each time he exceeds a bonus score. The game keeps track of 20 high scores — one score for each number of coins accumulated. The initials of high scoring players are displayed during the game's attract mode.

The operator selects coinage, time of play, number of plays at start, and score for bonus (if any). Six built-in self tests help the operator and service technician maintain and adjust the game, and diagnose circuit board problems.

## II. INSTALLATION AND MOVING (SEE FIGURE 2)

Exidy STARFIRE has two units:

- The video module (contains the monitor, player controls, and PC boards).
- The passenger module (contains the coin door and passenger seat).

Before installing the game, open the back door of the video module and visually check the PC boards and the monitor. Also check the wiring harness and make sure all the plugs are connected. To install the game, follow these steps:

- Step 1 — Move both modules to the installation site. Determine where the game will be placed and which direction it will face; put the video module in its location.
- Step 2 — The interconnect cable is taped to the platform at the bottom front of the video module. Carefully untape this cable and check it for breaks, bent pins, etc.
- Step 3 — Move the passenger module near the video module, and facing it. Push the interconnect cable through the hole at the bottom front of the passenger module. Open the coin door, reach inside, and connect the cable to the harness inside the passenger module.
- Step 4 — Power-up the game; the monitor should come on and the game should go into attract mode.

### NOTE

To get the game into attract mode, rather than one of the test modes, you may have to adjust the mode switch (switch 8 on the DIP switch); see Section IV, Operator Adjustments. Switch 8 *must* be OFF to play the game.

- Step 5 — Remove the two U-brackets from the cash box (in the passenger module). Remove the pins from the hinges at the top of the video module. Hook the U-brackets into the slots at the bottom of the video module. The open end of each bracket must face up, and the bent lip must be on the outside (facing the passenger module). Pull the brackets as far toward you as they will go.
- Step 6 — Push the passenger module almost up against the video module, lining up the slots at the bottom with the U-brackets. Take all the slack out of the interconnect cable, by pulling in the excess through the coin door. Now tilt the passenger module back on its rear feet, to raise the slots over the lips of the U-brackets. Push the passenger module forward, and lower its front end onto the U-brackets.
- Step 7 — Adjust the four leveler feet on the bottom of the passenger module, to line up the hinges at the top of the passenger module with the hinges on the video module. When the hinges are in line, tap the hinge pins in place with a hammer.

STARFIRE is now assembled. Do not try to move the game as one unit; if the U-brackets slip out while moving, you may damage the hinges. Instead, we recommend you separate the two modules, move them separately, and reconnect them at the new location.

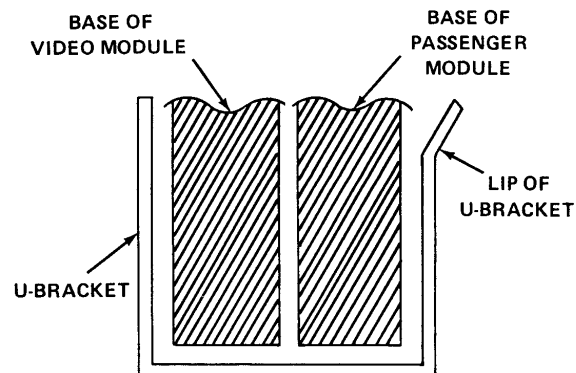


FIGURE 1. U-BRACKET PLACEMENT



- 1. VIDEO MODULE
- 2. HINGE
- 3. ILLUMINATED LOGO PANEL
- 4. PASSENGER MODULE
- 5. COIN DOOR
- 6. POSITION OF U-BRACKET
- 7. INTERCONNECT CABLE

FIGURE 2. CONNECTING THE MODULES

### III. NORMAL OPERATION

**A. Screen Display, Attract Mode.** — During attract, the screen cycles through a five-stage display:

- Stage 1 — The message:  
EXIDY EXCITEMENT  
Brings you . . .
- Stage 2 — The message:  
STARFIRE
- Stage 3 — The score table (see Figure 3).
- Stage 4 — The message:  
Deposit Coin
- Stage 5 — Enemy fighters moving on screen.

**B. Screen Display, Play Mode** — The screen shows a crosshair gunsight at the center of a background of stars; enemy ships move across this background. The background moves as the player works the controls, but the crosshairs always stay at the center of the screen.

The bottom of the screen has several indicators and a message panel. A thrust indicator shows the player's speed and forward-reverse direction, and a long range scan indicator shows the presence and direction of any enemy ships off the main screen. Other indicators show the player's current score and fuel level. The message panel tells whether the player has hit an enemy ship or been hit himself, whether his laser is ready to fire, etc.

Enemy fighters move in all directions on the screen, getting larger or smaller as they move toward or away from the player. Bonus Exidy pirate ships move from left to right across the screen, and always stay the same size. The fighters and pirate ships come in three colors: blue, green, and gold (actually orange). Blue fighters are worth 10 points, green fighters 20 points, and gold fighters 40 points; all bonus Exidy pirate ships are worth 50 points.

When a target (an enemy fighter or bonus Exidy pirate ship) comes near the crosshairs, two gauge scales appear — one from the right side and one from the bottom of



FIGURE 3. SCREEN DISPLAY, SCORE TABLE

the screen (see Figure 4). At the same time, a warning beep sounds. If the player maneuvers the target into the crosshairs, it is locked-on — the enemy is frozen in the crosshairs for several seconds, and the player can easily destroy it with his laser. When the player locks onto the enemy, a second warning beep sounds, a "LOCKED!" message appears on the message panel, and the target flashes in the crosshairs.

Press the laser fire button, and four simulated laser beams converge on the center crosshairs from the corners of the screen. If the lasers hit a target, it explodes. Enemy fighters can shoot fireballs at the player; if a fireball hits, the screen flashes and the player is penalized by being reset to blue targets.

**C. Screen Display, Test Modes** — See Section IV Operator Adjustments.

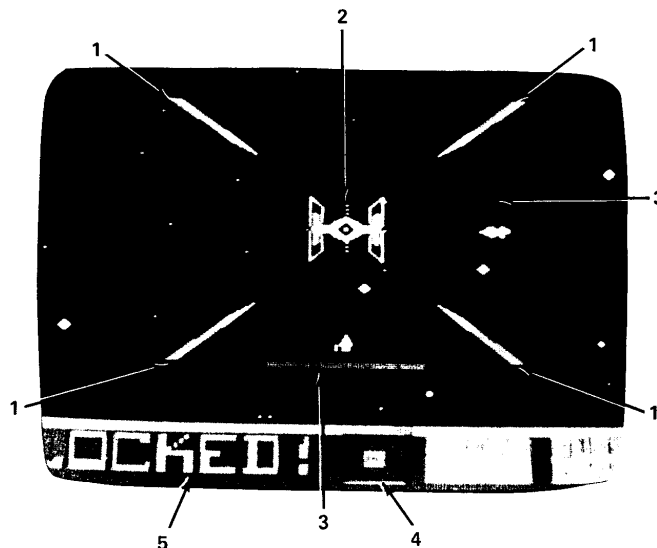
**D. Audio** — STARFIRE produces a wide variety of sound effects. An **ENGINE RUMBLE** sounds throughout the play, and an **EXPLOSION** sounds whenever an enemy explodes or the player is hit by enemy fire. There is a **LASER** sound whenever the player pushes the laser fire button, and a **HISS** whenever an enemy fighter fires at the player.

There are four different kinds of **WARNING BEEP**. These warn the player when he is almost locked onto a target, when he is actually locked on, when a target is just off the edge of the screen, and when the laser overheats.

These sounds are heard only during the play mode. There is only one operator adjustment for the sound effects — the volume control (see Section IV, Operator Adjustments).

**E. Player Controls** — STARFIRE has three player controls: a **steering yoke**, a **thrust control**, and a **laser fire button**. To steer right or left across the screen, turn the steering yoke like an automobile steering wheel; to move down or up, move the yoke in or out. Slide the thrust control T-handle up or down to move forward or back. The laser fire button is on the left handgrip of the steering yoke.

**F. Awards and Bonuses** — The operator can set the bonus score to 300, 500, or 700 points, or can turn off the bonus feature (see Section IV, Operator Adjustments). If the bonus has been set, a player has one chance of a bonus for each 300 fuel units he buys. If he tops the bonus score during any 300 unit period, the game awards him a bonus of 150 fuel units. This bonus fuel is added



- 1. LASER BEAM
- 2. TARGET FIGHTER
- 3. GAUGE SCALE
- 4. LONG-RANGE SCAN
- 5. MESSAGE PANEL

FIGURE 4. SCREEN DISPLAY, TARGET LOCK-ON

after the fuel indicator reaches zero. The player can only get one bonus for each 300 fuel units he buys.

The coin accumulator keeps track of the coins a player has spent. STARFIRE maintains twenty high scores: one for players who have only inserted one coin, a second for two-coin players, and so on. Players who spend more than twenty coins are lumped together in the twenty-coin score.

When a player finishes playing, STARFIRE counts the coins he has spent and compares his point score to the appropriate high score. If he has topped that score, the game asks him for his initials (one, two, or three letters); as long as his high score stands, his initials will be on the attract mode score table. If switch 7 of the DIP switch is ON, the score table will stay on screen as long as the laser fire button is pressed (see Section IV, Operator Adjustments).

Every third coin a player spends buys double playtime. That is, STARFIRE awards four coins worth of playtime for each three coins spent.

## IV. OPERATOR ADJUSTMENTS

### A. Selectable Options

The AUDIO VOLUME CONTROL is located at 8A on the daughter PC board (see Figure 10). All game options are selected by setting the 8-position DIP switch (located at 3A on the daughter PC board). The figure below shows which switches control which options.

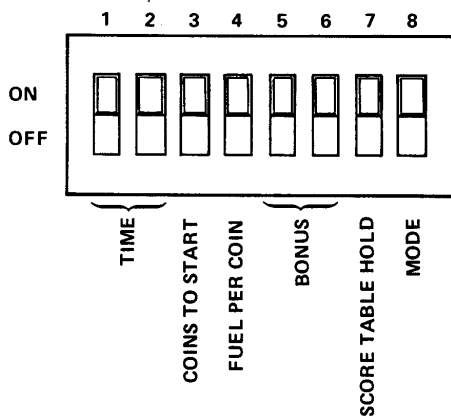


FIGURE 5. 8-POSITION DIP SWITCH

### Time of Play (for each 300 fuel units)

switch 1	switch 2	seconds
off	off	60
on	off	70
off	on	80
on	on	90

### Coins to Start & Fuel per Coin

switch 3	switch 4	coins to start	fuel units per coin
off	off	1	300
off	on	1	600
on	off	2	150
on	on	2	300

### Bonus

switch 5	switch 6	points needed for bonus
off	off	300
on	off	500
off	on	700
on	on	no bonus

### Score Table Hold (length of time score table is shown during attract mode)

switch 7	time
off	fixed length
on	fixed length, plus as long fire button is held



Mode	
switch	mode
8 off	play and attract
on	diagnostic tests

## B. Diagnostic tests

### Pre-Test

1. STARFIRE's game program is contained in integrated circuit devices ("chips") on the daughter PC board. Open the back door of the video module and check columns 1 and 2 of the daughter board, to see how many program chips there are (see Figure 9). There will be either ten or eleven chips.
2. If there are eleven chips, you must short resistor R3 to ground (see Figure 6). Use a test clip to do this; **do not cut the resistor's leads**. R3 is at location 2A on the mother PC board; short the side of R3 nearest column 3.
3. If there are only ten chips, do not short R3.
4. In either case, put switch 8 of the DIP switch to ON.

### First Test (Crosshatch)

1. The first test which comes on is a crosshatch pattern.
2. If the pattern is fuzzy or distorted, the color monitor needs alignment, convergence, or focus adjustment. These adjustments should be done by a service technician.

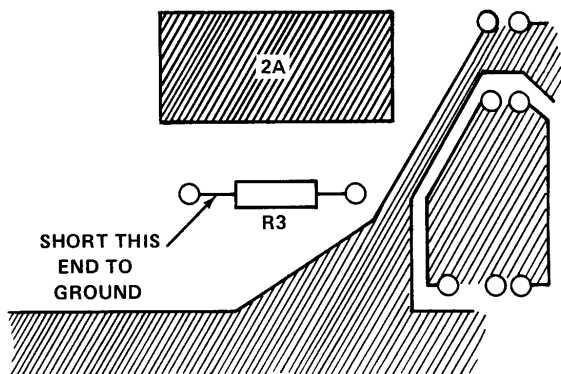


FIGURE 6. SHORTING RESISTOR R3

3. When finished with this test, press the laser fire button, and the second test will come on.

### Second Test (Color Bar)

1. The second test is a color bar pattern. There are eight levels each of red, blue, green, and grey, counting the vertical black bars as the first level of each color. (The paper bezel may hide the rightmost bars of the grey display; if so, just use the ones you can see.)
2. If you can't see eight distinct levels (including black) of red, blue, and green, or if the colors are smeared, then the monitor needs color adjustment. This should be done by a service technician.
3. When finished with this test, press the laser fire button, and the third test will come on.

### Third Test (Control Setup)

1. Service technicians use this test to adjust the player controls. (See Section VI, Technical Information.)
2. Three short horizontal bars move up and down the screen to show the **current** position of the throttle, vertical and horizontal player controls (see Figure 13).
3. Three horizontal lines across the screen show the maximum, minimum, and center positions for the controls (see Figure 13).
4. When finished with this test, press the laser fire button, and the fourth test will come on.

### Fourth Test (Program Memory)

1. This test does an evaluation of each program chip. It will tell you which devices may need replacing.
2. The screen shows a board map of the program. Good devices are shown in green, bad devices in red.
3. When you have finished this test, press the laser fire button, and the fifth test will come on.

### Fifth Test (Color Memory)

1. When this test comes on, the screen will go blank. It will stay blank for two or three minutes while the game's color memory is automatically tested. When the test is complete, a board map will appear on the screen. Good memory chips are shown in green, and bad ones in red.
2. When you have finished this test, press the laser fire button, and the sixth test will come on.

### Sixth Test (Main RAM)

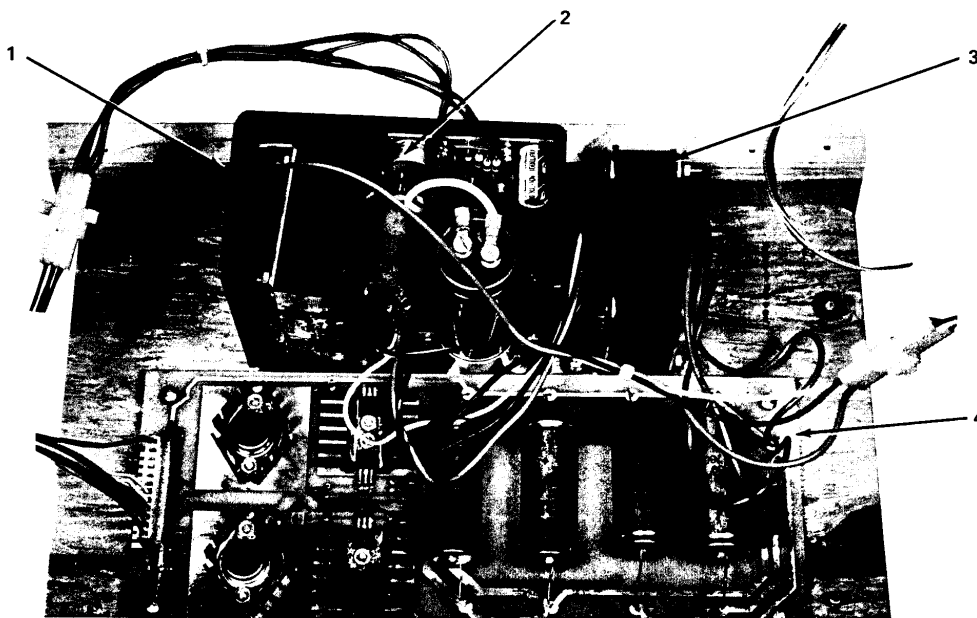
1. There are two versions of this test: the normal version (which tests 7/8 of the RAM) and a full version (which tests all the RAM).
2. The game will automatically do the normal version of this test; in order to do the full version, you must make a hardware modification. The full version is rarely necessary; if the game passes the normal version of this test, you know that 7/8 of the RAM is good, and you have a good assurance that the remaining 1/8 is also good.
3. To do the full version, refer to Section VI, Technical Information. The full version should only be done by a qualified service technician.
4. When either version of this test begins, the screen will show a changing pattern while the chips are tested; the screen may then go blank for a while. Finally, a PC board map will appear on the screen, showing the good RAMs in green, and the bad RAMs in red. The test takes several minutes to complete.

The self-test is now finished; you may repeat the tests by pressing the laser fire button. When you have finished testing, reset switch 8 to OFF. Be sure to re-enable resistor R3 if it was shorted to ground.

### C. Power Supply Adjustment

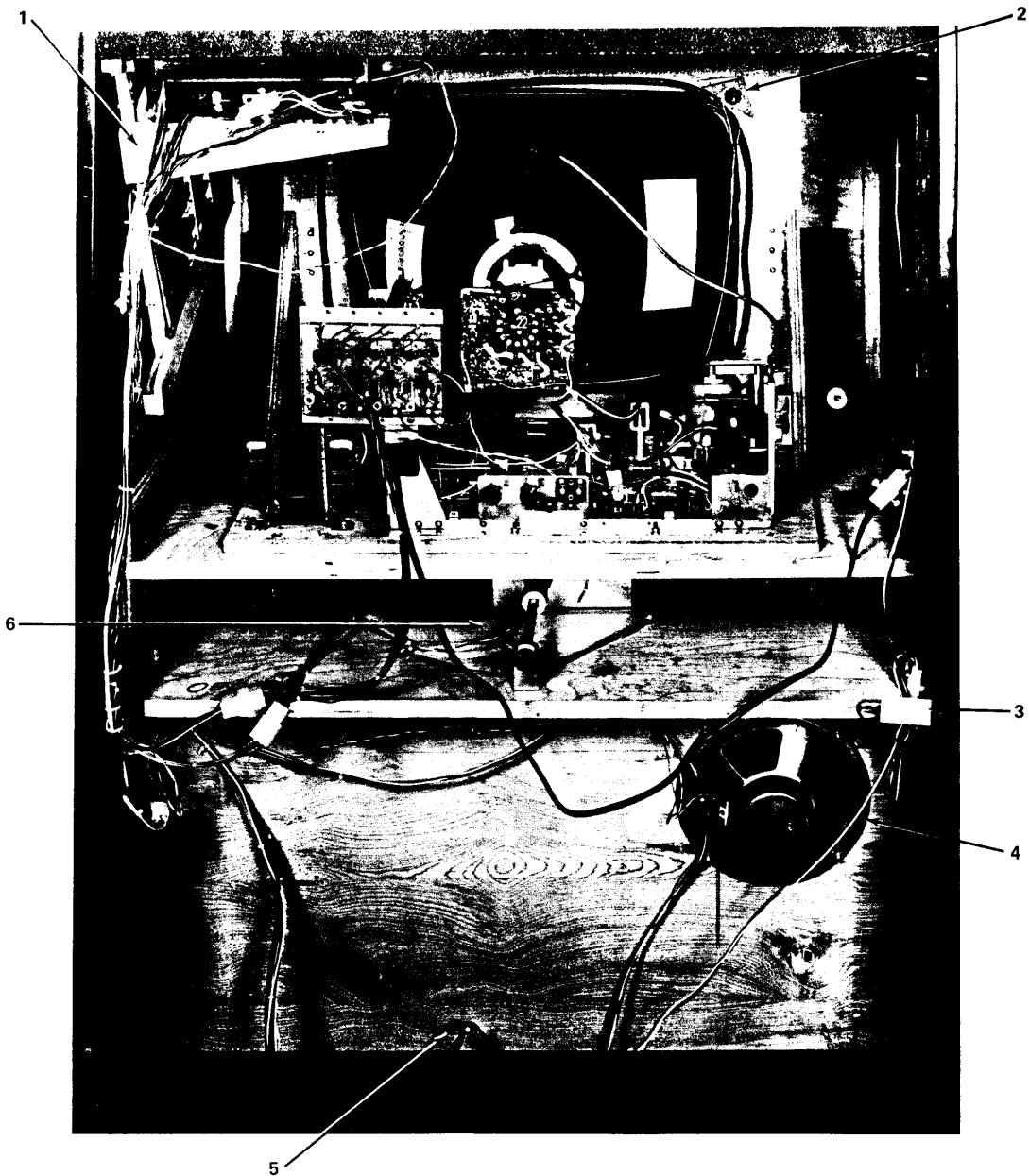
The power supply is at the bottom rear of the video module, accessible through the back door (see Figure 8).

1. Unplug the power cord.
2. Open the back door of the video module. (If you have to move the game to get to the back door, you should first separate the two modules, as described in Section II, Installation and Moving.)
3. Pull the PC board mount part way out of its slot (see Section V, Mechanical Disassembly).
4. Plug the power cord back in, and power-up the game.
5. Locate the  $\pm 5$  V and ground pins on the 10-pin connector of the daughter board (see Figure 9). These are the center two pins — counting from the column 5 side of the connector (the side nearest the rear of the cabinet), the fifth pin is ground, and the sixth pin is  $\pm 5$  V.
6. Adjust the power supply potentiometer (see Figure 7) for  $\pm 5 \pm .1$  VDC.



1. 5 VOLT 6 AMP UNIT                      3. TRANSFORMER  
2. ADJUSTMENT POTENTIOMETER        4. PC BOARD ASSEMBLY

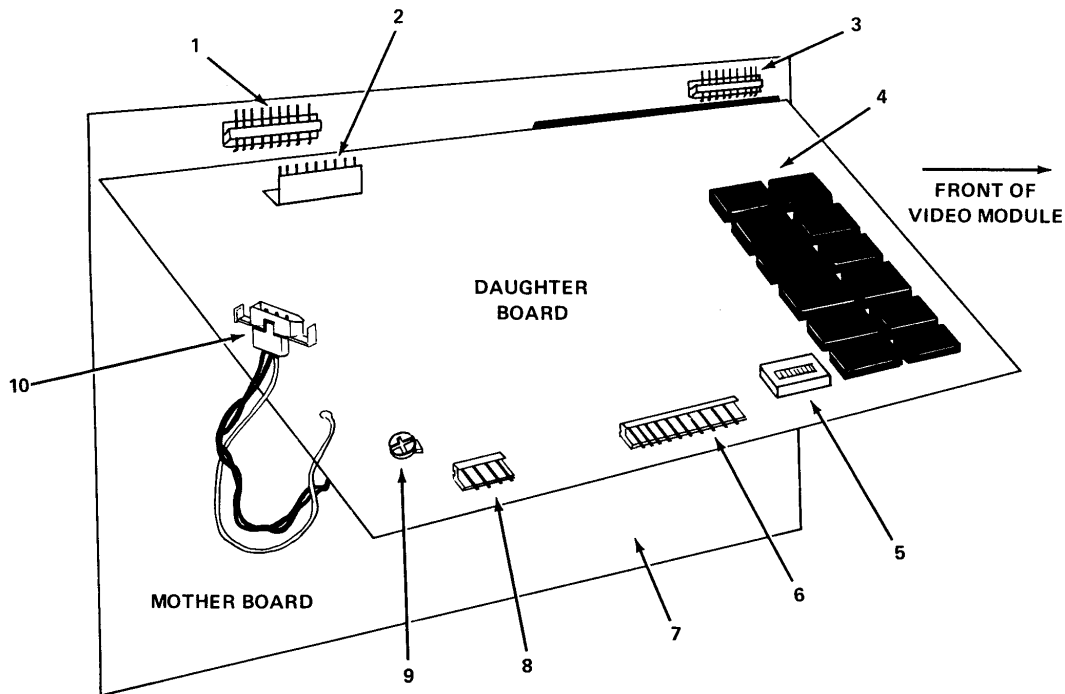
FIGURE 7. POWER SUPPLY



1. PC BOARDS (IN MOUNT)  
2. COLOR MONITOR  
3. INTERLOCK SWITCH

4. SPEAKER  
5. POWER SUPPLY  
6. CONTROL UNIT

FIGURE 8. REAR OF VIDEO MODULE, BACK DOOR OPEN



- |                          |                     |
|--------------------------|---------------------|
| 1. 9-PIN SHORT LEAD      | 6. 10-PIN CONNECTOR |
| 2. 9-PIN MOLEX           | 7. RESISTOR R3      |
| 3. 9-PIN LONG LEAD       | 8. 4-PIN CONNECTOR  |
| 4. PROGRAM CHIPS         | 9. VOLUME CONTROL   |
| 5. 8-POSITION DIP SWITCH | 10. 3-PIN CONNECTOR |

FIGURE 9. PC BOARD CONNECTORS AND ADJUSTMENTS

## V. MECHANICAL DISASSEMBLY

### NOTE

Before removing the back door of the video module, you may have to move the game. We recommend you separate the two modules before doing so (see Section II, Installation and Moving).

### A. To Remove the Monitor

1. Unplug the power cord.
2. Open the back door of the video module (see NOTE above).

3. Disconnect the 12-pin harness connector that leads to the monitor. If the monitor is a TEKNIKA (Wells-Gardner), remove the four screws securing the back, and remove the back.
4. Remove the four bolts on the monitor flange mounts.
5. Slide the monitor up and out of its shelf.

### CAUTION

Be careful not to damage the neck of the picture tube when moving the monitor. Always wear safety glasses when working near an exposed picture tube.

## B. To Remove the Player Control Unit

1. Unplug the power cord.
2. Separate the two modules (see Section II, Installation and Moving).
3. Open the back door of the video module.
4. Disconnect the two harness connectors from the player controls.
5. From inside the video module, remove the four nuts from the carriage bolts which hold the control unit plywood shelf to the cabinet shelf.
6. From the front of the video module, slide the control unit out. Be careful not to damage the vinyl cabinet walls.

## C. To Remove the PC Boards

1. Unplug the power cord.
2. Open the back door of the video module (see NOTE above).
3. Remove the two 5/8" wood screws that hold the PC board mount to the cabinet. These screws are at the upper and lower left.
4. Slide the PC board mount *part* way out.
5. If you only wish to adjust the DIP switch or short resistor R3 for diagnostic tests, do so with the

PC board mount in this position. Do not remove the harness connectors.

6. If you wish to remove the PC boards for service or test, first remove all the harness connectors from the two boards, then slide the board mount all the way out of the cabinet.
7. When replacing the PC boards, be sure to plug the harness connectors onto the correct connectors on the PC boards (see Figure 9).

### NOTE

The locking ramp of each connector must face the board. Be careful not to offset the connector to one side (see Figure 10) — this may damage the PC boards.

## D. To Remove the Power Supply

1. Unplug the power cord.
2. Open the back door of the video module (see NOTE above).
3. Disconnect the two harness connectors to the power supply.
4. Remove the four wood screws holding the power supply to the floor of the cabinet.
5. Lift the power supply up and out of the cabinet.

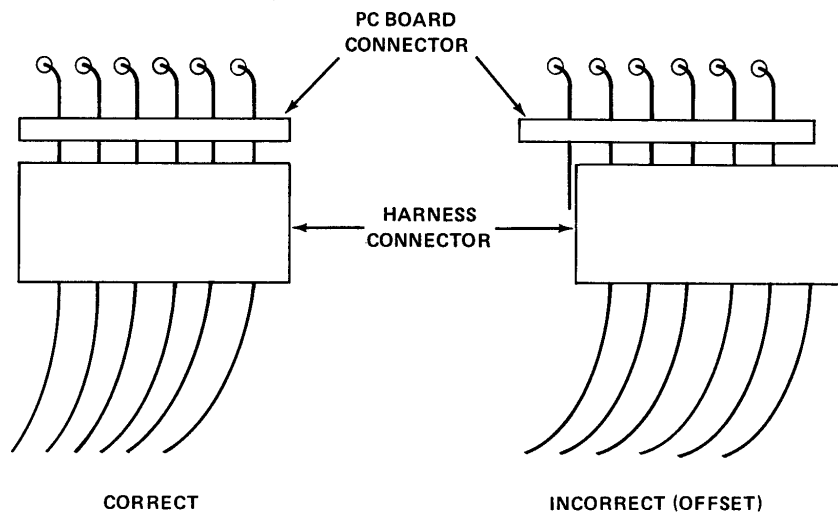


FIGURE 10. HARNESS CONNECTOR OFFSET

## E. To Remove the Logo Panel Lamp

1. Unplug the power cord.
2. Separate the two modules (see Section II, Installation and Moving).
3. From the front of the video module, remove the illuminated logo plastic panel by pushing up and lifting toward you.
4. The logo panel is illuminated by two 15 W soft-white bulbs or by a single LUMILINE lamp (which looks like a florescent lamp).
5. If your unit has two 15 W bulbs, unscrew them in the normal manner.
6. If your unit has a LUMILINE lamp, lift the lamp vertically. The end caps will pop free of the mountings, and you can then remove them from the ends of the lamp.

## VI. TECHNICAL INFORMATION

### A. Player Controls, Mechanical Description (see Figure 12)

The STARFIRE control unit has two parts:

- The **steering assembly** (controls up-down and side-side motion)
- The **thrust control assembly** (controls speed and forward-reverse)

The steering assembly has two control potentiometers ("Pots"): the pitch (up-down) control pot, and the yaw (side-side) control pot. The player works the steering assembly by moving the steering yoke.

The steering yoke is fixed to the steering tube; two large return springs are attached to the ends of a turn stop, which is bolted to this tube. Whenever the yoke is moved from its neutral (rest) position, these springs pull it back into place.

There are two collars on the steering tube, mounted with shock absorbing rubber bushings. These collars limit the tube's in-and-out movement. A tension spring keeps the pitch link in contact with the lower collar. The pitch link moves in and out when the steering yoke is moved in or out. The pitch control pot is fixed to the pitch link, and steers the screen display down or up when the steering yoke is moved out or in.

At the end of the steering tube is a white nylon square collar bushing, which fits over one end of the square shaft. This bushing slips up and down the square shaft as the yoke is moved in and out. The yaw control pot is fixed to the other end of the square shaft, and steers the screen display left or right when the steering yoke is turned.

The thrust control assembly contains the thrust control potentiometer. The player works this control by moving the T-handle thrust control lever.

The thrust control lever has a stud at its inside end. The thrust pivot engages this stud so that the pivot rotates when the thrust lever is moved. The thrust control pot is fixed to this pivot, and adjusts the game's speed and direction when the thrust lever is moved.

The laser fire button is a simple pushbutton on the left handgrip of the steering yoke.

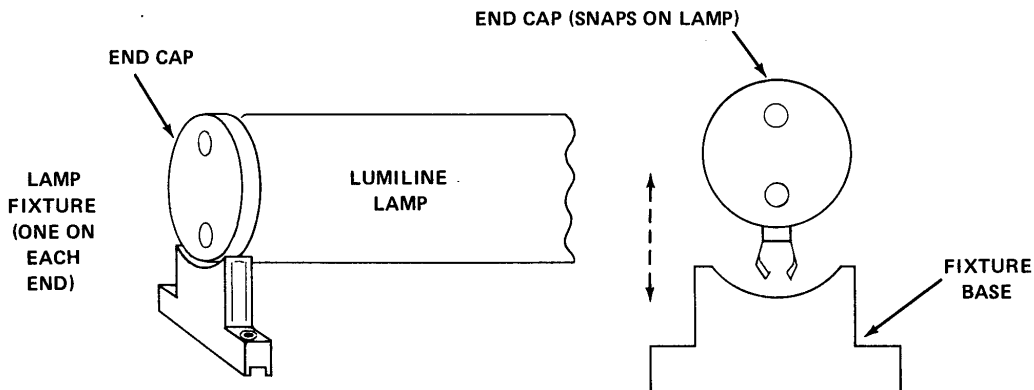
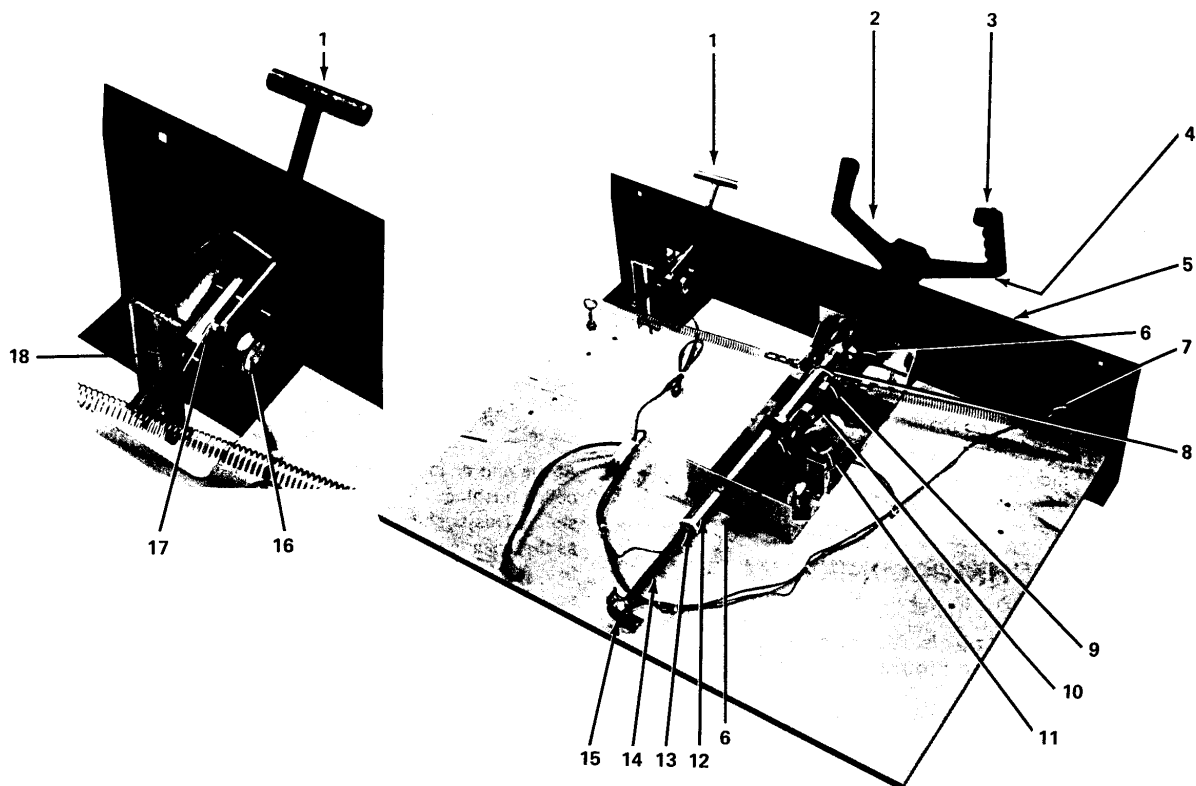


FIGURE 11. LUMILINE LAMP FIXTURES



1. T-HANDLE
2. STEERING YOKE
3. LASER FIRE BUTTON
4. YOKE COVER PLATE
5. PRINTED CONTROL PANEL
6. COLLAR
7. GAME START BUTTON
8. STAINLESS STEEL BOLT
9. STEERING STOP

10. PITCH LINK
11. PITCH POTENTIOMETER (VERTICAL)
12. STEERING TUBE
13. SQUARE SHAFT BUSHING
14. SQUARE SHAFT
15. YAW POTENTIOMETER (HORIZONTAL)
16. THRUST POTENTIOMETER
17. THRUST PIVOT
18. THRUST RAIL

FIGURE 12. CONTROL UNIT

### B. Player Controls, Adjustment

1. Unplug the power cord, and separate the two modules (see Section II, Installation and Moving). Open the rear door of the video module.
2. From inside the video module, remove the four nuts holding the player control unit. Remove the two 5/8" wood screws that hold the PC board mount to the cabinet; these screws are at the upper and lower left.
3. Pull the PC board mount part way out of its slot.
4. Check the daughter board to see whether it has ten or eleven program chips; short R3 to ground

if necessary (see Section IV, Operator Adjustments). Set switch 8 of the DIP switch to ON.

5. From the front of the video module, slide the control unit about halfway out.
6. Plug in the power cord and power-up the game. The first diagnostic test (crosshatch pattern) will appear on screen. Press the laser fire button **twice**, to bring on the third diagnostic test (control setup — see Section IV, Operator Adjustments).
7. From the front of the video module, adjust the pitch potentiometer (vertical control) — see Figure 12.

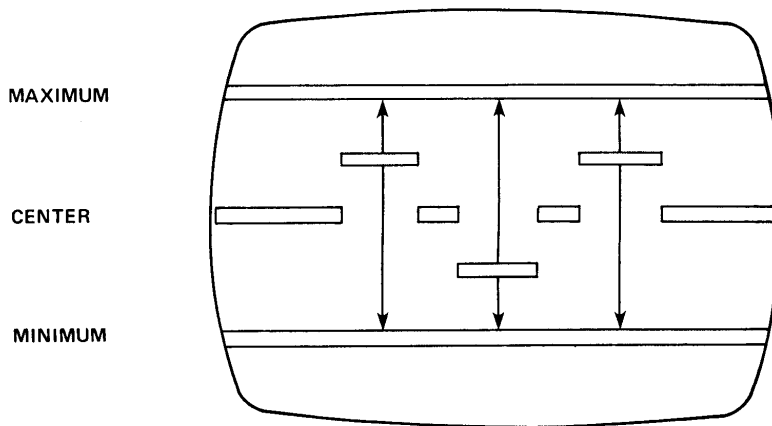


FIGURE 13. SCREEN DISPLAY, CONTROL SETUP TEST

- a. Loosen the setscrew that holds the pitch link to the pot.
  - b. With your fingers or a small pliers, turn the shaft of the pot so that the blue bar goes to the top of the screen. Continue turning the pot as far as it will go; then turn it in the other direction until the blue bar fills the gap in the center horizontal line on screen.
  - c. Let the springs pull the steering tube to its neutral (rest) position. The pot will not turn while the tube moves.
  - d. Retighten the setscrew.
  - e. Move the steering yoke in and out. The blue bar should not overshoot the top or bottom horizontal lines; if it does, replace C6 with a 2200 pf  $\pm$  5% capacitor. (C6 is on the daughter board, between locations 5A and 6A).
  - f. When the pitch pot is correctly adjusted, fix the setscrew in place with a drop of medium strength adhesive/sealant.
8. From the front of the video module, adjust the thrust control potentiometer — see Figure 12.
    - a. Loosen the setscrew that holds the thrust pivot to the pot.
    - b. With your fingers or a small pliers, turn the shaft of the pot so that the green bar goes to the top of the screen. Continue turning the pot as far as it will go; then turn it in the other direction until the green bar fills the gap in the center horizontal line on screen.
    - c. Move the T-handle to its center position; the pot will not turn while the handle moves.
    - d. Retighten the setscrew.
    - e. Move the T-handle up and down. The green bar should not overshoot the top or bottom horizontal lines; if it does, replace C5 with a 2200 pf  $\pm$  5% capacitor. (C5 is on the daughter board, between locations 4A and 5A.)
    - f. When the thrust pot is correctly adjusted, fix the setscrew in place with a drop of medium strength adhesive/sealant.
  9. Push the control unit back into the video module. From the back of the module, adjust the yaw potentiometer (horizontal control) — see Figure 12.
    - a. Loosen the two setscrews at the end of the square shaft; pull the shaft off the pot.
    - b. Turn the shaft of the pot with your fingers so the red bar goes to the top of the screen. Continue turning the pot as far as it will go;

#### NOTE

You will need a large mirror or an assistant, since you cannot directly see the screen display from the rear of the module.



- then turn it in the other direction until the red bar fills the gap in the center horizontal line on screen.
- c. Let the springs pull the steering tube to its neutral (rest) position; then reconnect the square shaft to the pot.
  - d. Tighten the two setscrews.
  - e. Move the steering yoke right and left. The red bar should not overshoot the top or bottom horizontal lines; if it does, replace C8 with a 2200 pf  $\pm$  5% capacitor. (C8 is on the daughter board, between locations 4B and 5B.)

### C. Color Monitor Adjustment, General

Each STARFIRE game has one of two different color monitors:

- PHOTOTEK
- TEKNIKA (WELLS-GARDNER)

Check the game to see which monitor is installed. The PHOTOTEK monitor has an open wooden chassis; the TEKNIKA monitor has a steel cabinet with a plastic back panel.

When the game is in test mode (switch 8 ON), the first two diagnostic tests are a crosshatch pattern and a color bar pattern, for adjusting the monitor (see Section IV, Operator Adjustments). All adjustments to the monitor should be made by a service technician.

#### NOTE

Use the following two procedures to adjust STARFIRE color monitors. The adjustments are made from the back of the video module, **without** removing the monitor. You must have a large mirror or an assistant, since you cannot directly see the screen display while adjusting the monitor.

A quick check of the attraction display will show whether the monitor needs color adjustment. The background should be pure black; all stars (except those close to a colored object or letter) should be pure white, with no trace of red, blue, or green; enemy ships should be pure blue, green, or gold (orange).

### D. Color Monitor Adjustment, PHOTOTEK

1. Unplug the power cord.
2. Open the back door of the video module. (If you have to move the game to get to the back door, you should first separate the two modules, as described in Section II, Installation and Moving.)

3. Pull the PC board mount part way out of its slot (see Section V, Mechanical Disassembly).
4. Check the daughter board to see whether it contains ten or eleven program chips; short R3 to ground if necessary (see Section IV, Operator Adjustments). Set switch 8 of the DIP switch to ON.
5. Place a large mirror so that you can see the screen display from the back of the video module, or else have an assistant watch the display and describe it to you as you adjust the monitor.
6. Plug in the power cord and power-up the game; let the monitor warm up for 15 minutes. The first diagnostic test (crosshatch pattern) will appear on screen. Adjust the focus, brightness, brightness limit, and height controls against this pattern (see Figure 14 for control locations). If the monitor needs convergence or linearity adjustment, consult the manufacturer (ALGOL CORP., 303 Convention Way, Redwood City, CA 94063) or contact Exidy Customer Service, 390 Java Drive, Sunnyvale, CA 94086.

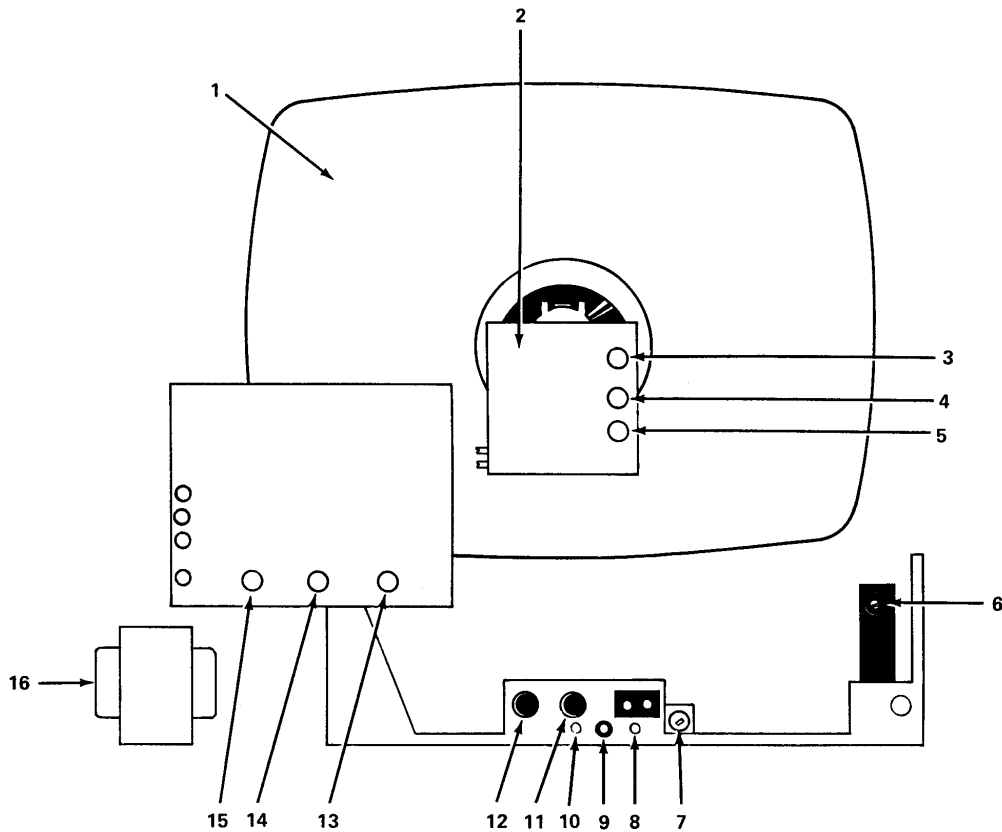
#### CAUTION

Always wear safety glasses when working near an exposed video picture tube.

7. Press the laser fire button to bring on the second diagnostic test (color bar pattern).
  - a. Turn up each color balance control in turn, until you see that color as the background of the test pattern; then back off the control slightly, to get a black background. Adjust only one color at a time.
  - b. If necessary, adjust the color biases to bring up the color intensities. Adjust only one color at a time.
  - c. If the colors of the test pattern smear or blend, then the color balance or color bias controls are set too high; back them off.
8. When you finish the adjustments, put the game into the attract mode (switch 8 OFF, and resistor R3 enabled). Check the colors of the attraction display (see above, Color Monitor Adjustment, General, for description).

### E. Color Monitor Adjustment, TEKNIKA (Wells-Gardner)

1. Unplug the power cord.
2. Open the back door of the video module. (If you have to move the game to get to the back door,



- |                     |                  |
|---------------------|------------------|
| 1. PICTURE TUBE     | 9. VERTICAL HOLD |
| 2. NECK BOARD       | 10. HEIGHT       |
| 3. BLUE BALANCE     | 11. BRIGHTNESS   |
| 4. GREEN BALANCE    | 12. ON/OFF       |
| 5. RED BALANCE      | 13. RED BIAS     |
| 6. FOCUS            | 14. GREEN BIAS   |
| 7. HORIZONTAL HOLD  | 15. BLUE BIAS    |
| 8. BRIGHTNESS LIMIT | 16. TRANSFORMER  |

FIGURE 14. PHOTOTEK MONITOR, ADJUSTMENTS

you should first separate the two modules, as described in Section II, Installation and Moving).

3. Pull the PC board mount part way out of its slot (see Section V, Mechanical Disassembly).
4. Check the daughter board to see whether it contains ten or eleven program chips; short R3 to ground if necessary (see Section IV, Operator Adjustments). Set switch 8 of the DIP switch to ON.
5. Disconnect the 12-pin harness connector from the monitor. Remove the four screws holding the back cover of the monitor, and remove the back cover. Reconnect the harness connector.

#### CAUTION

Always wear safety glasses when working near an exposed video picture tube.

6. Place a large mirror so that you can see the screen display from the back of the video module, or else have an assistant watch the display and describe it to you as you adjust the monitor.
7. Plug in the power cord and power-up the game; let the monitor warm up for 15 minutes. The first

diagnostic test (crosshatch pattern) will appear on screen. Adjust the focus and vertical size controls against this pattern (see Figure 15 for control locations). If the monitor needs convergence or linearity adjustment, consult the manufacturer (TEKNIKA ELECTRONICS CORP., Service Center, Gothic Plaza 333 RTE 46, Fairfield NJ 07006 — Phone (201) 575-0380, (800) 221-2106), or contact Exidy Customer Service, 390 Java Drive, Sunnyvale CA 94086.

8. Press the laser fire button to bring on the second diagnostic test (color bar pattern).
  - a. Adjust the interface pot if necessary, until there is one black stripe between each primary color.
  - b. If retrace lines appear on the screen, turn the interface pot back slightly.
  - c. Adjust the pot until the screen shows eight steps each of red, green, blue, and grey (counting the vertical black stripes as the first step of each color). The bezel may hide the last two steps of the grey display; if so, just use the ones you can see.

d. If the color is weak, or if you can't get eight distinct steps of each color, adjust the color cutoff pots on the neck board (see Figure 15).

e. As a last resort, adjust the screen drive pot on the neck board (see Figure 15). Use this pot together with the interface pot — when you turn one of them up, you must turn the other down. Note that the screen drive control effects the entire color alignment; if you adjust this control, you will have to begin the color adjustment over again.

9. When you finish the adjustments, put the game into the attract mode (switch 8 OFF, and resistor R3 enabled). Check the colors of the attraction display (see above, Color Monitor Adjustment, General). If the colors are correct, put some sealing varnish or RTV glue on the interface pot, to hold it in place.
10. Replace the cover of the monitor (reverse of step 5 above), and secure it with its four screws.

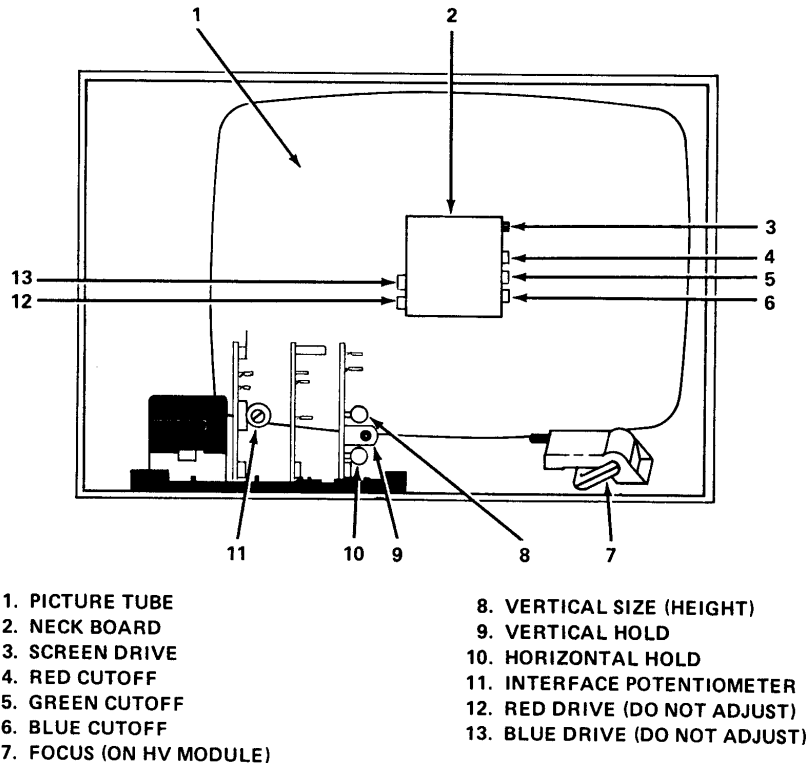


FIGURE 15. TEKNIKA MONITOR, ADJUSTMENTS

## F. Main RAM Test, Full Version

### NOTE

The full version of the main RAM test should be done by a service technician.

With the game in test mode (switch 8 ON), the sixth diagnostic test will normally check 7/8 of the game's main RAM (all but the scratchpad RAM). If you suspect the RAM is malfunctioning, but the normal test does not show anything wrong, you should consider the full ver-

sion of the test, which tests *all* the RAM, including the scratchpad. To do the full version, you must first disable the Non-Maskable Interrupt (NMI) signal to the CPU; do this when the game is in test mode, since it cannot enter test mode without the NMI signal.

To disable the NMI, open jumper J6 on the mother board (at location 4G, just below the CPU). We recommend you replace J6 with a switch or test clip before starting the tests. Once in test mode, open the switch or remove the test clip; then bring on the sixth diagnostic test (main RAM) by pressing the laser fire button five times. Be sure to re-enable the NMI when you finish the test.

## G. Troubleshooting Table

Notes on the troubleshooting table

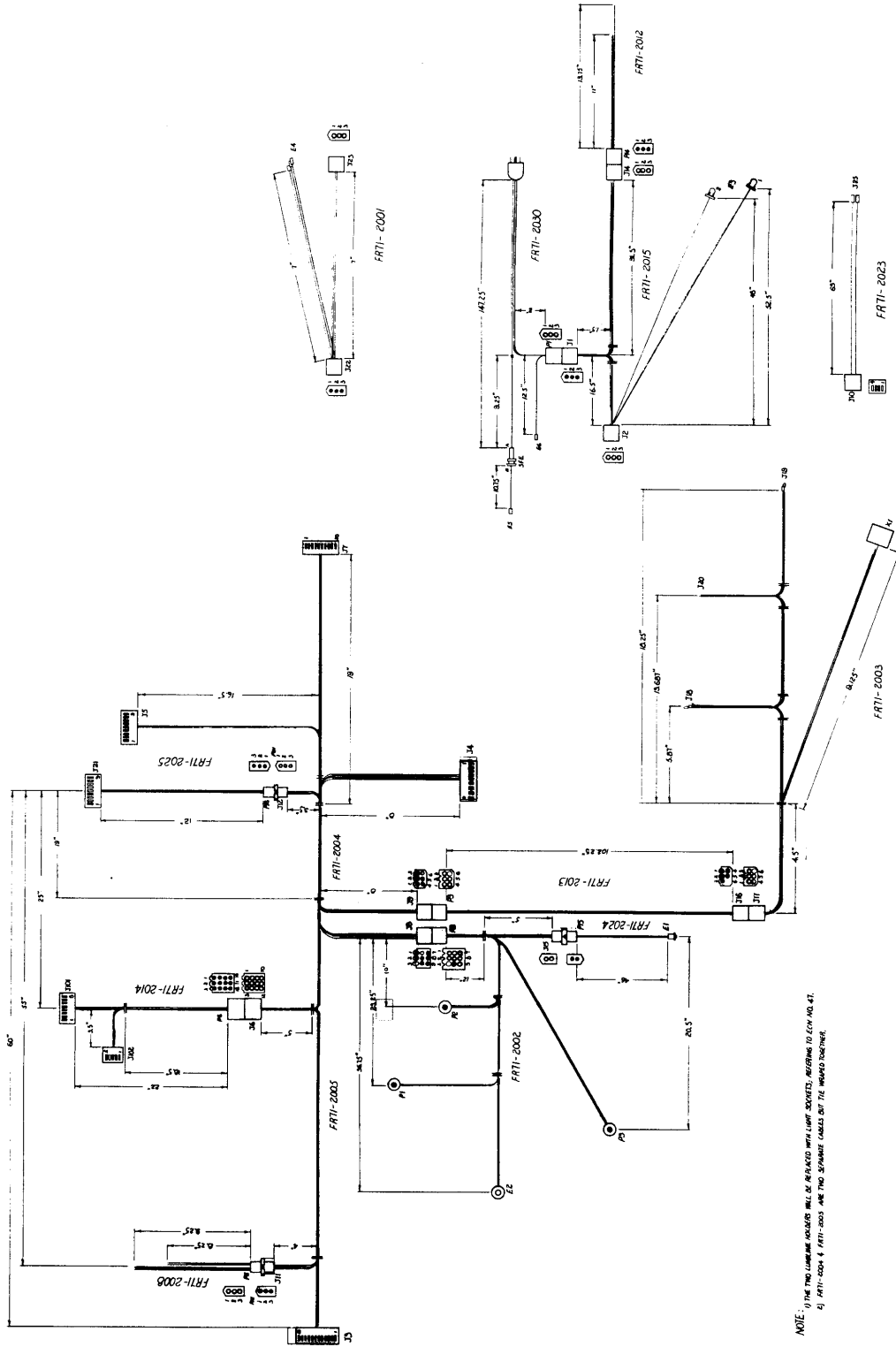
1. The game program is contained in ten or eleven integrated circuit devices ("chips") located in columns 1 and 2 of the daughter PC board (see Figure 9). Use diagnostic test 4 to check these chips.
2. The quickest way to check some parts of the game is to *swap* them with a working unit. (If no other unit is available, you will have to check the part by tracing through its schematics.)

Example: If you suspect the daughter PC board is malfunctioning, remove and replace it with a daughter board taken from a working STARFIRE. If that cures the trouble, then the first daughter board needs repair.

SYMPTOM	POSSIBLE CAUSE	SERVICE
Game does not turn on	No power to game	Check fuse  Check interlock switch  Check connectors of audio power harness  Check line voltage
Color monitor on, but no picture	Loose monitor harness  Bad power supply  Bad monitor  Bad PC boards	Check harness connectors  Check power supply voltage  Check/swap monitor  Check/swap both PC boards
Audio good, but no video	Loose monitor harness  Bad monitor  Bad PC boards	Check harness connectors  Check/swap monitor  Check/swap both PC boards
Video good, but no audio	Loose audio power harness  Loose speaker harness  Bad speaker  Bad PC audio circuits	Check harness connectors   Check speaker  Check/swap daughter PC board

**G. Troubleshooting Table (Continued)**

<b>SYMPTOM</b>	<b>POSSIBLE CAUSE</b>	<b>SERVICE</b>
Video good, but no game	Wrong mode	Check position of switch 8, DIP switch
	Bad program chips	Check chips (diagnostic test 4)
	Bad daughter board	Check/swap daughter board
Game plays, audio good, but video distorted	Monitor out of adjustment	Check/adjust monitor (diagnostic tests 1 and 2)
	Bad program chips	Check chips (diagnostic test 4)
	Bad PC boards	Check/swap both PC boards
Game plays, but no laser	Loose control harness	Check harness connectors
	Laser fire button	Check button
	Bad program chips	Check chips (diagnostic test 4)
	Bad daughter board	Check/swap daughter board
Will not accept coin	Loose coin door/counter harness	Check all harness connectors inside passenger module
	Loose interconnect cable	Check cable connection between the modules
	Bad coin mechanism	Check/swap coin mechanism
Game plays, but bad motion control: up-down OR side-side OR speed	Loose control unit harness	Check harness connectors
	Control unit, mechanical	Check: pitch link OR square shaft OR thrust pivot
	Control unit, electrical	Check/adjust: pitch pot (vertical) OR yaw pot (horizontal) OR thrust pot (speed)
Logo plastic panel won't light	Bad daughter board	Check/swap daughter board
	Loose power and light harness	Check harness connectors
	Lamp burned out	Replace lamp



NOTE:  
 1) THE TWO LUMINAE HOLDERS WILL BE INSTALLED WITH LIGHT SWITCHES, REFER TO LEVY AND LIT.  
 2) FRTI-2004 & FRTI-2005 ARE TWO SEPARATE UNITS, BUT THE WIRING IS THE SAME.

**H. Wiring Harness Diagram**

### I. Wiring Harness Pinout Table

Harness	Connector	From	To	Wire	Signal
Power Supply AC input	J1 (3-pin male Molex)	J1-1	J2-1	18" black 18 ga	} Hot
		J1-1	J14-1	33" black 18 ga	
		J1-2	J2-2	18" white 18 ga	} Ground
		J1-2	J14-2	33" white 18 ga	
		J1-3	J2-3	18" green 22 ga	} Earth ground
		J1-3	J14-3	33" green 22 ga	
Light Harness AC input	J2 (3-pin female Molex)	J2-1	E3-1	51" black 18 ga	Hot
		J2-2	E3-2	39" white 18 ga	Ground
Main Harness Power Supply Output	J3 (12-pin male Molex)	J3-1	J6-12	40" black 18 ga	Ground
		J3-2	J12-2	63½" yel-org 18 ga	} +12 VDC audio
		J3-2	J12-3	63½" yel-org 18 ga	
		J3-3	J4-1	68" yellow 18 ga	} +12 VDC logic
		J3-3	J6-11	40" yellow 18 ga	
		J3-4	J6-10	40" brown 18 ga	} -5 VDC
		J3-4	J4-5	68" brown 18 ga	
		J3-5	J12-1	63½" white 18 ga	-VDC audio
		J3-6	J4-4	68" wht-red 18 ga	-12 VDC logic
		J3-7 to J3-11	} UNUSED		
		J3-12		J4-7	68" black 18 ga
		J3-12	J11-3	9" black 18 ga	
Main Harness Mother Board Power	J4 (9-pin female Molex)	J4-2	J11-3	67" red 18 ga	+5 VDC
		J4-3	J11-3	67" black 18 ga	Ground
		J4-6 and J4-9	} UNUSED		
		J4-8		J11-2	67" red 18 ga

### I. Wiring Harness Pinout Table (Continued)

Harness	Connector	From	To	Wire	Signal
Main Harness Mother board Video	J5 (9-pin female Molex)	J5-1	J6-7	46½" 22 ga   yel twisted pair   blk	Composite sync Ground
		J5-6	J6-8		
		J5-7	J6-1	46½" 22 ga   red twisted pair   blk	Red video Ground
		J5-4	J6-2		
J5-8	J6-5	46½" 22 ga   blu twisted pair   blk	Blue video Ground		
J5-4	J6-6				
J5-9	J6-3	46½" 22 ga   grn twisted pair   blk	Green video Ground		
J5-6	J6-4				
Main Harness Monitor	J6 (12-pin female Molex)	J6-9	J11-1	39" red 18 ga	+5 VDC
Main Harness Daughter Board Direction	J7 (10-pin flat female Molex)	J7-1	J9-5	46" green 22 ga	Anti-slam switch
		J7-2	J8-9	46" lt. blue 22 ga	Pitch (vertical)
		J7-3	J8-8	46" violet 22 ga	Yaw (horizontal)
		J7-4	J8-7	46" grn-red 22 ga	Forward-reverse/thrust
		J7-5	J8-6	46" black 22 ga	} Ground
		J7-5	J9-2	46" black 22 ga	
		J7-6	J8-5	46" red 22 ga	} +5 VDC
		J7-6	J9-1	46" red 22 ga	
		J7-7	J9-4	46" wht-blk 22 ga	Coin (norm. open)
		J7-8	J9-3	46" yel-blk 22 ga	Coin (norm. closed)
J7-9	J8-2	46" blue 22 ga	Start		
J7-10	J8-1	46" orange 22 ga	Fire		
Main Harness Control Unit	J8 (9-pin male Molex)	See J7			
Main Harness Coin Mechanism	J9 (6-pin male Molex)	See J7			
Main Harness Daughter Board—Speaker	J10 (4-pin female Molex)	J10-2 J10-3	Spade Connectors	63" 22 ga   vlt twisted pair   wt-gn	Speaker Speaker



**I. Wiring Harness Pinout Table (Continued)**

Harness	Connector	From	To	Wire	Signal
Control Unit Harness	P8 (9-pin female Molex)	P8-1	J15-1	17" orange 22 ga	Fire
		P8-2	E2-C	48 <sup>3</sup> / <sub>4</sub> " blue 22 ga	Start
		P8-3 and P8-4	UNUSED		
		P8-9		P1-R	44 <sup>3</sup> / <sub>4</sub> " lt. blue 22 ga
		P8-5	P3-R	32 <sup>1</sup> / <sub>2</sub> " red 22 ga	+5 VDC
		P8-6	J15-2	17" black 22 ga	Ground
		P8-7	P3-M	32 <sup>1</sup> / <sub>2</sub> " grn-red 22 ga	Forward-reverse/thrust
		P8-8	P2-R	27" violet 22 ga	Yaw (horizontal)
Control Unit Fire Button	J15 (2-pin female Molex)	J15-2	E2-A	41 <sup>3</sup> / <sub>4</sub> " black 22 ga	Ground
Control Unit Start Button	E2 (903 switch)	See P8			
Control Unit Pitch Pot (vertical)	P1 (50K potentiometer)	P1-M	P2-M	27 <sup>3</sup> / <sub>4</sub> " red 22 ga	+5 VDC
Control Unit Yaw Pot (horizontal)	P2 (50K potentiometer)	P2-M	P3-R	35 <sup>1</sup> / <sub>2</sub> " red 22 ga	+5 VDC
Control Unit Thrust Pot (speed)	P3 (50K potentiometer)	See P8			
Main harness +5 Power Supply	J11 (3-pin male Molex)	See J4, J6			
Main Harness Audio Power	J12 (3-pin female Molex)	See J3			
AC Power and Light Harness Xfmr Input	J14 (3-pin female Molex)	See J1			

**I. Wiring Harness Pinout Table (Continued)**

Harness	Connector	From	To	Wire	Signal
AC Power and Light Harness LUMILINE OR 15 W bulbs	E3 (2 LUMILINE fixtures OR 2 Bulb fixtures)	See J2			
Control Unit Harness Fire Button	P15 (2-pin male Molex)	P15-1 P15-2	E1-C E1-A	46" orange 24 ga 46" black 24 ga	Fire Ground
Monitor Video Harness Monitor Connector	P6 (12-pin male Molex)	P6-1 P6-2 P6-3 P6-4 P6-5 P6-6 P6-7 P6-8 P6-9 P6-10 P6-11 P6-12	J101-1 J101-2 J101-3 J101-4 J101-5 J101-6 J101-7 J101-8 J102-1 J102-3 J102-5 J102-2	{ 22" 22 ga } red { twisted pair } blk { 22" 22 ga } grn { twisted pair } blk { 22" 22 ga } blu { twisted pair } blk { 22" 22 ga } yel { twisted pair } blk 22" red 18 ga 22" brown 18 ga 22" yellow 18 ga 22" black 18 ga	Red in Ground Green in Ground Blue in Ground Composite sync Ground +5 VDC -5 VDC +12 VDC logic Ground
Monitor Video harness Video Signal	J101 (8-pin female wafer Molex)	See P6			
Monitor Video Harness Power Connector	J102 (5-pin female wafer Molex)	See P6			
+5 V Power Supply	P11 (3-pin female Molex)	P11-1 P11-2 P11-2 P11-3 P11-3	{ Power } { Supply } { PCB } { +VE } { Power } { Supply } { PCB } { -VE }	8 1/4" red 18 ga 9 1/4" black 18 ga	+5 VDC Ground

**I. Wiring Harness Pinout Table (Continued)**

<b>Harness</b>	<b>Connector</b>	<b>From</b>	<b>To</b>	<b>Wire</b>	<b>Signal</b>
Power Supply Transformer Input	P14 (3-pin male Molex)	P14-1	Xfmr pin 4	11" black 18 ga	Hot
		P14-2	Xfmr pin 1	11" white 18 ga	Ground
		P14-3	Xfmr gnd	13 <sup>3</sup> / <sub>4</sub> " green 22 ga	Earth ground
Module Interconnect Extension Harness	P9 (6-pin female Molex)	P9-1	J16-1	102 <sup>1</sup> / <sub>2</sub> " red 22 ga	+5 VDC
		P9-2	J16-2	102 <sup>1</sup> / <sub>2</sub> " black 22 ga	Ground
		P9-3	J16-3	102 <sup>1</sup> / <sub>2</sub> " yel-blk 22 ga	Coin (norm. closed)
		P9-4	J16-4	102 <sup>1</sup> / <sub>2</sub> " wht-blk 22 ga	Coin (norm. open)
		P9-5	J16-5	102 <sup>1</sup> / <sub>2</sub> " green 22 ga	Anti-slam
		P9-6	UNUSED		
Module Interconnect Extension Harness Coin Door	J16 (6-pin Male Molex)	See P9			
Coin Door Harness Door Connector	J17 (6-pin female Molex)	J17-1	Coin Cntr bottom	13 <sup>5</sup> / <sub>8</sub> " black	
		J17-2	J19 spade cnx	22 <sup>3</sup> / <sub>4</sub> " black 22 ga	Coin (norm. closed)
		J17-3	J18 spade cnx	17 <sup>3</sup> / <sub>4</sub> " yel-blk 22 ga	Coin (norm. closed)
		J17-4	Coin Cntr top	13 <sup>5</sup> / <sub>8</sub> " black	
		J17-4	J18 spade cnx	17 <sup>3</sup> / <sub>4</sub> " wht-blk 22 ga	Coin (norm. open)
		J17-5	J20 pigtail	21 <sup>3</sup> / <sub>8</sub> " green 22 ga	Anti-slam (norm. open)
		J17-6	UNUSED		

**I. Wiring Harness Pinout Table (Continued)**

Harness	Connector	From	To	Wire	Signal
Coin Door Harness Coin Drop	J18 (3 push-on connectors)	J18 norm. open	J19 spade	19 <sup>3</sup> / <sub>4</sub> " wht-blk 22 ga	Coin (norm. open)
		J18 common	J19 spade	19 <sup>3</sup> / <sub>4</sub> " orange 22 ga	Common
Coin Door Harness Coin Drop	J19 (3 push-on connectors)	J19 norm. closed	J20 common pigtail	8 <sup>5</sup> / <sub>8</sub> " black 22 ga	Coin to common (norm. closed)
Coin Door Harness Vibration	J20 (2 bare ends, soldered)	See J17, J19			
Audio Power Harness Power	P12 (3-pin male Molex)	P12-1	J21-4	12" white 18 ga	-12 VDC audio
		P12-2	J21-9	12" yel-org 18 ga	+12 VDC audio
		P12-3	J21-1	12" yel-org 18 ga	
Audio Power Harness Power	J21 (9-pin female wafer Molex)	See P12			
110/220 V Bifurcated AC Cable	J22 (3-pin male Molex)	J22-1	J23-1	7" black 22 ga	Hot
		J22-1	E4-1	7" black 22 ga	Ground
		J22-2	J23-2	7" white 22 ga	
		J22-2	E4-2	7" white 22 ga	Earth ground
		J22-3	J23-3	7" green 22 ga	
		J22-3	E4-3	7" green 22 ga	
110/220 V Bifurcated AC Cable	J23 (3-pin female Molex)	See J22			
110/220 V Bifurcated AC Cable	E4 (TFB-B butt connector)	See J22			
AC Line Cord Power In	P1 (3-pin female Molex)	P1-1	interlock spade	12 <sup>1</sup> / <sub>2</sub> " black 18 ga	Hot
		P1-2	AC plug	140" white	Ground
		P1-3	AC plug	140" green	Earth ground
AC Line Cord 3 amp Fuse	SFE	SFE-A	AC plug	147 <sup>1</sup> / <sub>4</sub> "	
		SFE-B	E5 interlock	10 <sup>3</sup> / <sub>4</sub> " red	

**J. Selected Parts List**

**Wiring Harnesses**

**Complete Assemblies**

Part	QTY/Game	Exidy Part #
Mother Board	1	FR77-3175
Daughter Board*	1	FR77-3185
Color Monitor, PHOTOTEK OR Color Monitor, TEKNIKA	1 OR 1	FR79-2301 OR FR79-2307

\*Early model daughter boards must be ordered with an audio power harness.

**Isolation Transformers  
for TEKNIKA Monitor**

Part	QTY/Game	Exidy Part #
Triad N67A OR	1 OR	
Triad N74A OR	1 OR	
Stancor GSD 250 OR	1 OR	FR63-4029
Stancor P8622 OR	1 OR	
Standard Magnetics (open frame)	1	

**Power Supply**

Part	QTY/Game	Exidy Part #
Adtech 5 V 6 amp Supply	1	FR78-3001
PC Board, Assembled	1	FR77-3195
Transformer T911 OR	1 OR	FR63-4028 OR
Transformer T893	1	FR63-4025

Part	QTY/Game	Exidy Part #
Speaker Pigtail Harness	1	FR71-2001
Control Unit Harness	1	FR71-2002
Coin Harness	1	FR71-2003
Main Harness Ass'y	1	FR71-2005
5V Pigtail Harness	1	FR71-2008
AC Input Harness to Power Supply	1	FR71-2012
Interconnect Extension Harness	1	FR71-2013
Monitor Interface Harness, early* PHOTOTEK OR	1 1 OR	FR71-2014-1A OR
Monitor Interface Harness, TEKNIKA and Late PHOTOTEK	1	FR71-2014-1B
AC Power and Light Harness	1	FR71-2015
Bifurcated AC Cable	1	FR71-2023
Fire Button Harness	1	FR71-2024
Audio Power Cable**	1	FR71-2025
TEKNIKA Monitor*** Interface Cable	1	FR71-2028
AC Line Cord and Fuse	1	FR71-2030

\*Soldered to Monitor PC board

\*\*Soldered to early model daughter boards; Molex connected to later model boards. When ordering, specify early or later model. This harness must be ordered when replacing an early model daughter board.

\*\*\*Not needed for games equipped with the PHOTOTEK monitor.

**J. Selected Parts List (Continued)**

**Pre-Programmed ICs  
Mother Board**

Part	Location	Exidy Part #
6331 PROM or equivalent	7A	FR48-2153
6331 PROM or equivalent	8A	FR48-2154

**IMPORTANT**

There are three sets of STARFIRE program chips. Each STARFIRE game has just one of these sets:

- 10 EPROM chips in columns 1 and 2 of the daughter board. Each EPROM has a paper sticker on the back.
- 10 ROM chips in columns 1 and 2 of the daughter board. The chips do *not* have paper stickers, and there is no chip in socket 1F.
- 11 ROM chips in columns 1 and 2 of the daughter board. The chips do *not* have paper stickers, and there is a chip in socket 1F.

These sets are *not* interchangeable; if you must replace a program chip, be certain to order the correct replacement.

**Pre-Programmed ICs  
Daughter Board**

Part	Location	Exidy Part #
STARFIRE game program, 10 EPROM set	1A	FR48-9013
	2A	FR48-9014
	1B	FR48-9015
	2B	FR48-9016
	1C	FR48-9017
	2C	FR48-9018
	1D	FR48-9019
	2D	FR48-9020
	1E	FR48-9021
	2E	FR48-9022

**Part Location Exidy Part #**

STARFIRE game program 10 ROM set	1A	FR49-1026
	2A	FR49-1027
	1B	FR49-1028
	2B	FR49-1029
	1C	FR49-1030
	2C	FR49-1031
	1D	FR49-1032
	2D	FR49-1033
	1E	FR49-1034
	2E	FR49-1035
STARFIRE game program, 11 ROM set	1A	FR49-1015
	2A	FR49-1016
	1B	FR49-1017
	2B	FR49-1018
	1C	FR49-1019
	2C	FR49-1020
1D	FR49-1021	
2D	FR49-1022	
1E	FR49-1023	
2E	FR49-1024	
1F	FR49-1025	

**Control Unit Parts**

Part	QTY/Game	Exidy Part #
Printed Control Panel	1	FR68-6040
Steering Yoke	1	FR92-1005

**J. Selected Parts List (Continued)**

Control Unit Parts Continued		
Part	QTY/Game	Exidy Part#
Yoke Cover Plate	1	FR68-9015
Base Bracket	1	FR68-9004
Flanged Bearing NF-1210-32	2	FR74-5100
Steering Tube	1	FR92-1002
Steering Collar	2	FR92-1003
Steering Stop	1	FR92-1010
Centering Spring Stock Spring #273S 9/16 diam × 4 L	2	
Stainless Steel Bolt 3/8-24 × 1 3/4 L	1	
Pushbutton Switch, #930	2	FR72-3022
Control Potentio- meter (Pot), 50 K ohm Allen-Bradley (metal can)	3	FR54-5027
OR	OR	
Control Potentio- meter, (Pot), 50 K ohm CTS (plastic body)	3	FR54-5028
Square Shaft Bearing, Nylon	1	FR92-1001
Yaw (Horizontal) Pot Bracket	1	FR68-9001
Yaw Pot Square Shaft	1	FR92-1004
Pitch (Vertical) Pot Bracket	1	FR68-9002
Pitch Link	1	FR68-9003
Pitch Link Spring Stock Spring #248S 1 1/32 diam × 2 1/2 L	1	

Part	QTY/Game	Exidy Part#
Cotter Pin 3/32 × 3/4 L	1	
Thrust Bracket	1	FR68-9005
Thrust Pivot	1	FR68-9006
T-handle	1	FR92-1006
Grooved Pin (type C) 1/4 diam × 2" Bearing Engineer- ing	1	FR74-5151
Grooved Pin (type C) 1/4 diam × 3/4" Bearing Engineer- ing	1	FR74-5152
T-handle Sleeve	1	FR92-1012
Thrust Rail	1	FR68-9007
Spring, Thrust Rail Century #C514	2	
Shoulder Screw, Thrust Rail 1/4 diam 1 L 10-32 Slot Head, Bearing Specialties #PL-25	2	FR74-5156

**Cabinet Parts  
Video Module**

Part	QTY/Game	Exidy Part #
Logo Plastic Panel	1	FR75-4003
CRT Display Plastic Panel	1	FR75-4004
Formed Paper Bezel	1	FR76-1055
Vinyl Side Panel, Planet & Fighters	1	FR76-1045

**J. Selected Parts List (Continued)**

**Cabinet Parts,  
Video Module  
Continued**

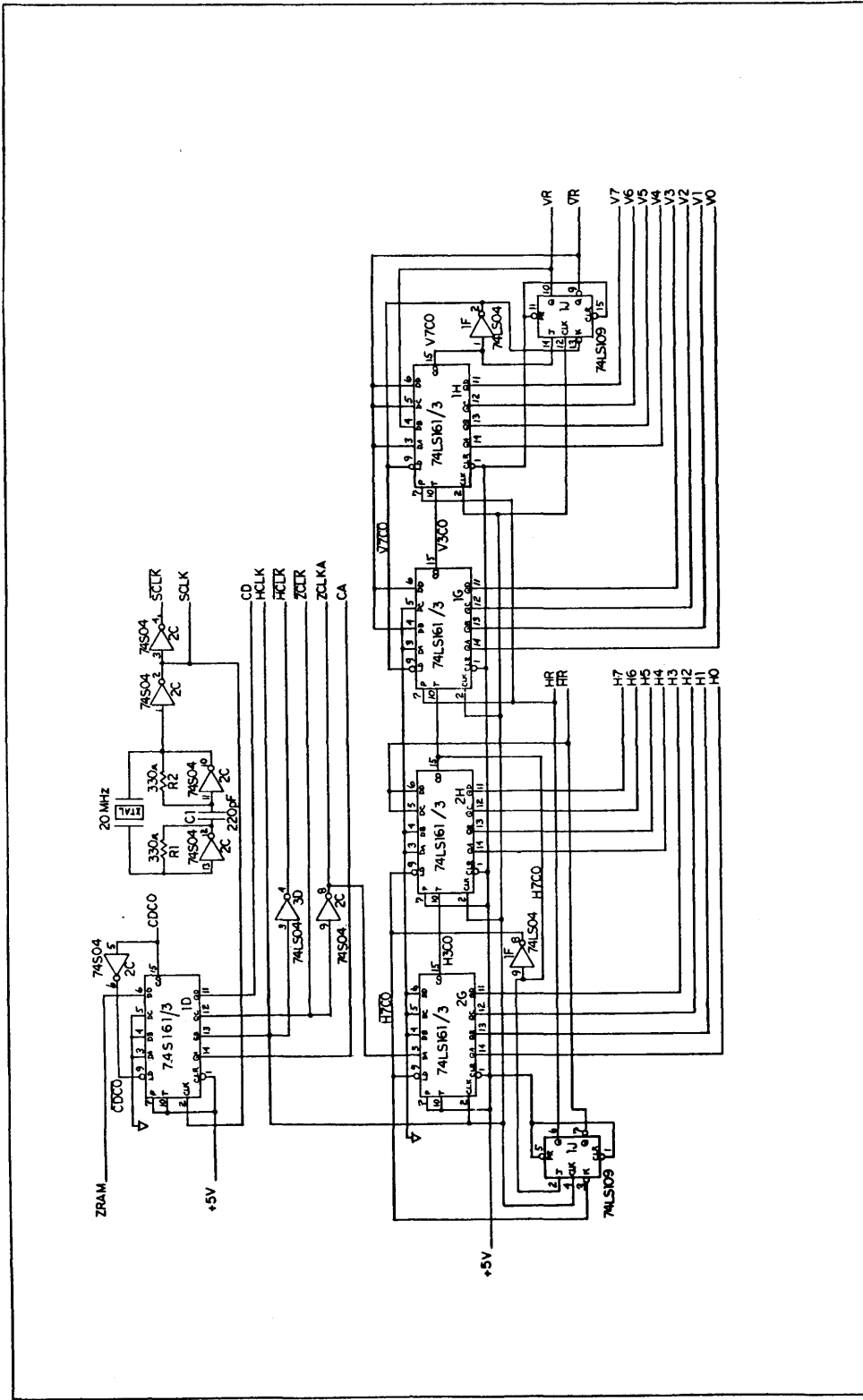
Part	Qty/Game	Exidy Part #
Vinyl Side Panel, Explosion	1	FR76-1675
8" 8 ohm 10 oz Speaker	1	FR62-7050
7" Speaker Grill	1	FR68-9016
LUMILINE Lamp*	1	FR70-6023
LUMILINE Lamp Fixture*	2	FR70-6024
PC Board Mount	1	FR76-1054

\*Early models only. Later models have two 15W bulbs and bulb fixtures.

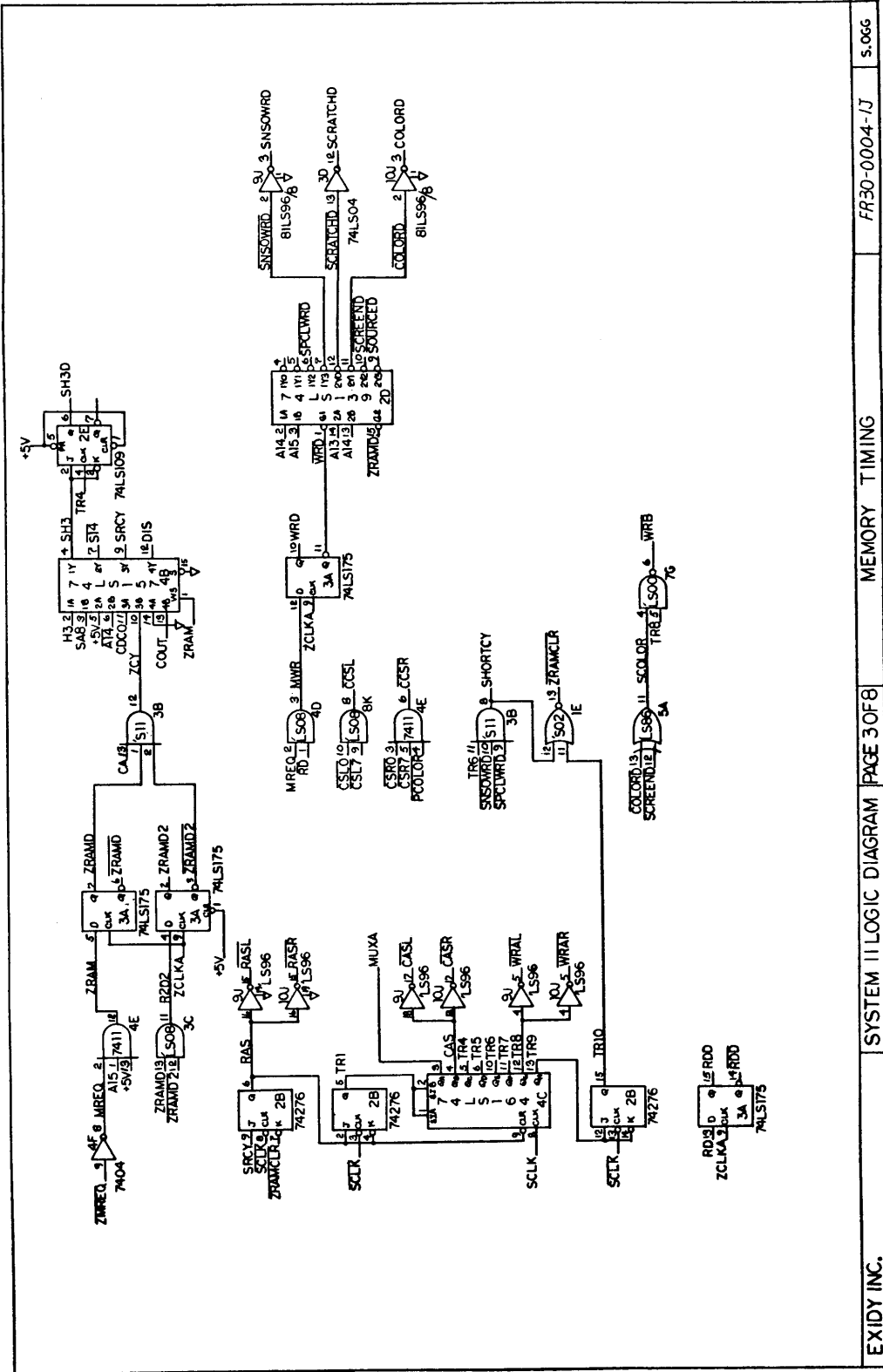
**Cabinet Parts,  
Passenger Module**

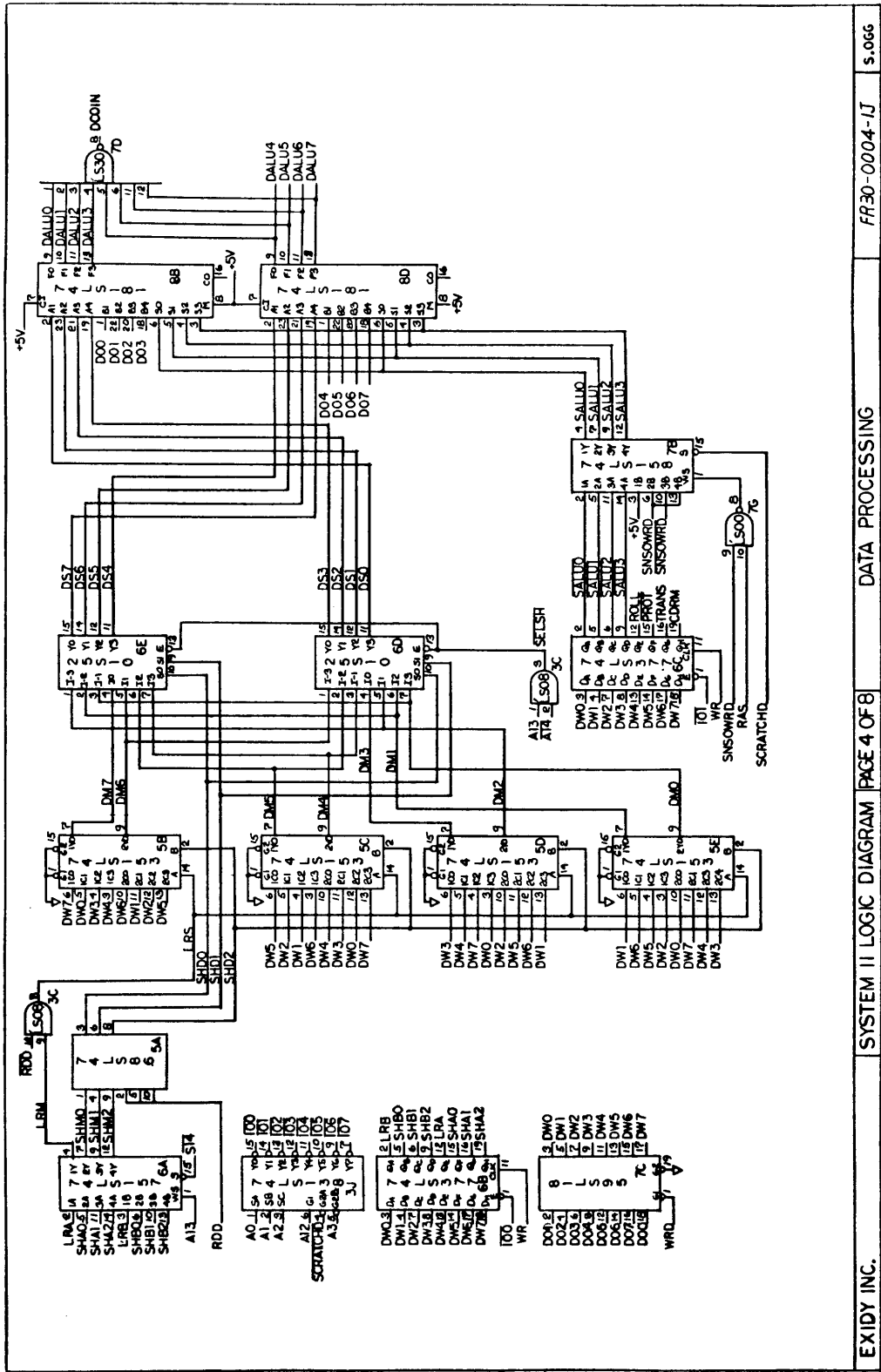
Part	QTY/Game	Exidy Part #
P/M Plastic Panel	1	FR75-4005
Vinyl Side Panel, Fighter	1	FR76-1062
Vinyl Back Panel, STARFIRE Logo	1	FR76-1064
Vendall Double Coin Door	1	FR66-4003
Coin Box	1	FR68-9014
Shipping Carton Brace	1	FR76-1054
U-bracket (Cabinet Clip)	2	FR68-9012

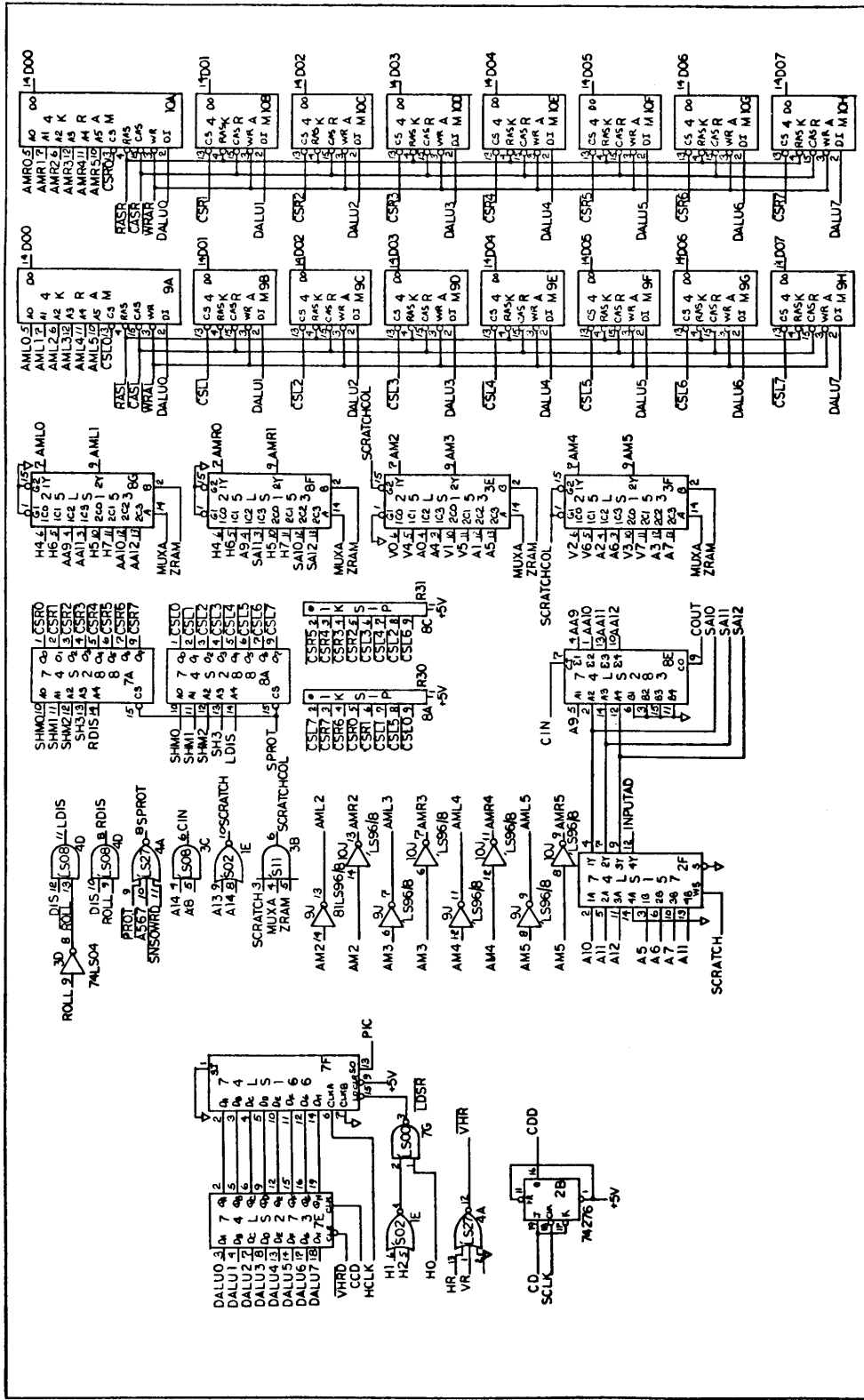


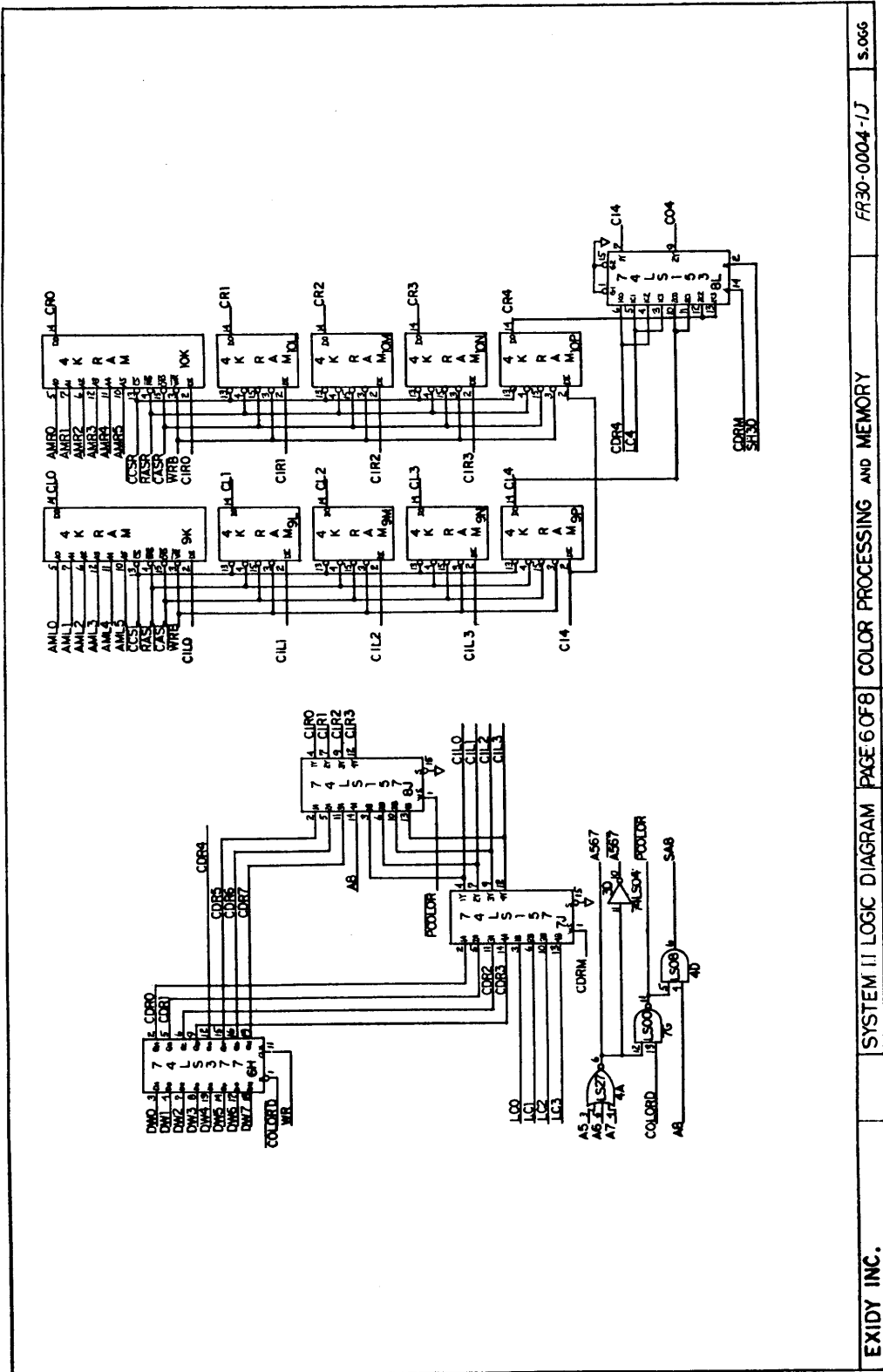














- V4 1
- V5 3
- V6 5
- V7 7
- V8 9
- V9 11
- V10 13
- V11 15
- V12 17
- V13 19
- V14 21
- V15 23
- V16 25
- V17 27
- V18 29
- V19 31
- V20 33
- V21 35
- V22 37
- V23 39
- V24 41
- V25 43
- V26 45
- V27 47
- V28 49
- V29 51
- V30 53
- V31 55
- V32 57
- V33 59
- V34 61
- V35 63
- V36 65
- V37 67
- V38 69
- V39 71
- V40 73
- V41 75
- V42 77
- V43 79
- V44 81
- V45 83
- V46 85
- V47 87
- V48 89
- V49 91
- V50 93
- V51 95
- V52 97
- V53 99
- V54 101
- V55 103
- V56 105
- V57 107
- V58 109
- V59 111
- V60 113
- V61 115
- V62 117
- V63 119
- V64 121
- V65 123
- V66 125
- V67 127
- V68 129
- V69 131
- V70 133
- V71 135
- V72 137
- V73 139
- V74 141
- V75 143
- V76 145
- V77 147
- V78 149
- V79 151
- V80 153
- V81 155
- V82 157
- V83 159
- V84 161
- V85 163
- V86 165
- V87 167
- V88 169
- V89 171
- V90 173
- V91 175
- V92 177
- V93 179
- V94 181
- V95 183
- V96 185
- V97 187
- V98 189
- V99 191
- V100 193
- V101 195
- V102 197
- V103 199
- V104 201
- V105 203
- V106 205
- V107 207
- V108 209
- V109 211
- V110 213
- V111 215
- V112 217
- V113 219
- V114 221
- V115 223
- V116 225
- V117 227
- V118 229
- V119 231
- V120 233
- V121 235
- V122 237
- V123 239
- V124 241
- V125 243
- V126 245
- V127 247
- V128 249
- V129 251
- V130 253
- V131 255
- V132 257
- V133 259
- V134 261
- V135 263
- V136 265
- V137 267
- V138 269
- V139 271
- V140 273
- V141 275
- V142 277
- V143 279
- V144 281
- V145 283
- V146 285
- V147 287
- V148 289
- V149 291
- V150 293
- V151 295
- V152 297
- V153 299
- V154 301
- V155 303
- V156 305
- V157 307
- V158 309
- V159 311
- V160 313
- V161 315
- V162 317
- V163 319
- V164 321
- V165 323
- V166 325
- V167 327
- V168 329
- V169 331
- V170 333
- V171 335
- V172 337
- V173 339
- V174 341
- V175 343
- V176 345
- V177 347
- V178 349
- V179 351
- V180 353
- V181 355
- V182 357
- V183 359
- V184 361
- V185 363
- V186 365
- V187 367
- V188 369
- V189 371
- V190 373
- V191 375
- V192 377
- V193 379
- V194 381
- V195 383
- V196 385
- V197 387
- V198 389
- V199 391
- V200 393
- V201 395
- V202 397
- V203 399
- V204 401
- V205 403
- V206 405
- V207 407
- V208 409
- V209 411
- V210 413
- V211 415
- V212 417
- V213 419
- V214 421
- V215 423
- V216 425
- V217 427
- V218 429
- V219 431
- V220 433
- V221 435
- V222 437
- V223 439
- V224 441
- V225 443
- V226 445
- V227 447
- V228 449
- V229 451
- V230 453
- V231 455
- V232 457
- V233 459
- V234 461
- V235 463
- V236 465
- V237 467
- V238 469
- V239 471
- V240 473
- V241 475
- V242 477
- V243 479
- V244 481
- V245 483
- V246 485
- V247 487
- V248 489
- V249 491
- V250 493
- V251 495
- V252 497
- V253 499
- V254 501
- V255 503
- V256 505
- V257 507
- V258 509
- V259 511
- V260 513
- V261 515
- V262 517
- V263 519
- V264 521
- V265 523
- V266 525
- V267 527
- V268 529
- V269 531
- V270 533
- V271 535
- V272 537
- V273 539
- V274 541
- V275 543
- V276 545
- V277 547
- V278 549
- V279 551
- V280 553
- V281 555
- V282 557
- V283 559
- V284 561
- V285 563
- V286 565
- V287 567
- V288 569
- V289 571
- V290 573
- V291 575
- V292 577
- V293 579
- V294 581
- V295 583
- V296 585
- V297 587
- V298 589
- V299 591
- V300 593
- V301 595
- V302 597
- V303 599
- V304 601
- V305 603
- V306 605
- V307 607
- V308 609
- V309 611
- V310 613
- V311 615
- V312 617
- V313 619
- V314 621
- V315 623
- V316 625
- V317 627
- V318 629
- V319 631
- V320 633
- V321 635
- V322 637
- V323 639
- V324 641
- V325 643
- V326 645
- V327 647
- V328 649
- V329 651
- V330 653
- V331 655
- V332 657
- V333 659
- V334 661
- V335 663
- V336 665
- V337 667
- V338 669
- V339 671
- V340 673
- V341 675
- V342 677
- V343 679
- V344 681
- V345 683
- V346 685
- V347 687
- V348 689
- V349 691
- V350 693
- V351 695
- V352 697
- V353 699
- V354 701
- V355 703
- V356 705
- V357 707
- V358 709
- V359 711
- V360 713
- V361 715
- V362 717
- V363 719
- V364 721
- V365 723
- V366 725
- V367 727
- V368 729
- V369 731
- V370 733
- V371 735
- V372 737
- V373 739
- V374 741
- V375 743
- V376 745
- V377 747
- V378 749
- V379 751
- V380 753
- V381 755
- V382 757
- V383 759
- V384 761
- V385 763
- V386 765
- V387 767
- V388 769
- V389 771
- V390 773
- V391 775
- V392 777
- V393 779
- V394 781
- V395 783
- V396 785
- V397 787
- V398 789
- V399 791
- V400 793
- V401 795
- V402 797
- V403 799
- V404 801
- V405 803
- V406 805
- V407 807
- V408 809
- V409 811
- V410 813
- V411 815
- V412 817
- V413 819
- V414 821
- V415 823
- V416 825
- V417 827
- V418 829
- V419 831
- V420 833
- V421 835
- V422 837
- V423 839
- V424 841
- V425 843
- V426 845
- V427 847
- V428 849
- V429 851
- V430 853
- V431 855
- V432 857
- V433 859
- V434 861
- V435 863
- V436 865
- V437 867
- V438 869
- V439 871
- V440 873
- V441 875
- V442 877
- V443 879
- V444 881
- V445 883
- V446 885
- V447 887
- V448 889
- V449 891
- V450 893
- V451 895
- V452 897
- V453 899
- V454 901
- V455 903
- V456 905
- V457 907
- V458 909
- V459 911
- V460 913
- V461 915
- V462 917
- V463 919
- V464 921
- V465 923
- V466 925
- V467 927
- V468 929
- V469 931
- V470 933
- V471 935
- V472 937
- V473 939
- V474 941
- V475 943
- V476 945
- V477 947
- V478 949
- V479 951
- V480 953
- V481 955
- V482 957
- V483 959
- V484 961
- V485 963
- V486 965
- V487 967
- V488 969
- V489 971
- V490 973
- V491 975
- V492 977
- V493 979
- V494 981
- V495 983
- V496 985
- V497 987
- V498 989
- V499 991
- V500 993
- V501 995
- V502 997
- V503 999
- V504 1001
- V505 1003
- V506 1005
- V507 1007
- V508 1009
- V509 1011
- V510 1013
- V511 1015
- V512 1017
- V513 1019
- V514 1021
- V515 1023
- V516 1025
- V517 1027
- V518 1029
- V519 1031
- V520 1033
- V521 1035
- V522 1037
- V523 1039
- V524 1041
- V525 1043
- V526 1045
- V527 1047
- V528 1049
- V529 1051
- V530 1053
- V531 1055
- V532 1057
- V533 1059
- V534 1061
- V535 1063
- V536 1065
- V537 1067
- V538 1069
- V539 1071
- V540 1073
- V541 1075
- V542 1077
- V543 1079
- V544 1081
- V545 1083
- V546 1085
- V547 1087
- V548 1089
- V549 1091
- V550 1093
- V551 1095
- V552 1097
- V553 1099
- V554 1101
- V555 1103
- V556 1105
- V557 1107
- V558 1109
- V559 1111
- V560 1113
- V561 1115
- V562 1117
- V563 1119
- V564 1121
- V565 1123
- V566 1125
- V567 1127
- V568 1129
- V569 1131
- V570 1133
- V571 1135
- V572 1137
- V573 1139
- V574 1141
- V575 1143
- V576 1145
- V577 1147
- V578 1149
- V579 1151
- V580 1153
- V581 1155
- V582 1157
- V583 1159
- V584 1161
- V585 1163
- V586 1165
- V587 1167
- V588 1169
- V589 1171
- V590 1173
- V591 1175
- V592 1177
- V593 1179
- V594 1181
- V595 1183
- V596 1185
- V597 1187
- V598 1189
- V599 1191
- V600 1193
- V601 1195
- V602 1197
- V603 1199
- V604 1201
- V605 1203
- V606 1205
- V607 1207
- V608 1209
- V609 1211
- V610 1213
- V611 1215
- V612 1217
- V613 1219
- V614 1221
- V615 1223
- V616 1225
- V617 1227
- V618 1229
- V619 1231
- V620 1233
- V621 1235
- V622 1237
- V623 1239
- V624 1241
- V625 1243
- V626 1245
- V627 1247
- V628 1249
- V629 1251
- V630 1253
- V631 1255
- V632 1257
- V633 1259
- V634 1261
- V635 1263
- V636 1265
- V637 1267
- V638 1269
- V639 1271
- V640 1273
- V641 1275
- V642 1277
- V643 1279
- V644 1281
- V645 1283
- V646 1285
- V647 1287
- V648 1289
- V649 1291
- V650 1293
- V651 1295
- V652 1297
- V653 1299
- V654 1301
- V655 1303
- V656 1305
- V657 1307
- V658 1309
- V659 1311
- V660 1313
- V661 1315
- V662 1317
- V663 1319
- V664 1321
- V665 1323
- V666 1325
- V667 1327
- V668 1329
- V669 1331
- V670 1333
- V671 1335
- V672 1337
- V673 1339
- V674 1341
- V675 1343
- V676 1345
- V677 1347
- V678 1349
- V679 1351
- V680 1353
- V681 1355
- V682 1357
- V683 1359
- V684 1361
- V685 1363
- V686 1365
- V687 1367
- V688 1369
- V689 1371
- V690 1373
- V691 1375
- V692 1377
- V693 1379
- V694 1381
- V695 1383
- V696 1385
- V697 1387
- V698 1389
- V699 1391
- V700 1393
- V701 1395
- V702 1397
- V703 1399
- V704 1401
- V705 1403
- V706 1405
- V707 1407
- V708 1409
- V709 1411
- V710 1413
- V711 1415
- V712 1417
- V713 1419
- V714 1421
- V715 1423
- V716 1425
- V717 1427
- V718 1429
- V719 1431
- V720 1433
- V721 1435
- V722 1437
- V723 1439
- V724 1441
- V725 1443
- V726 1445
- V727 1447
- V728 1449
- V729 1451
- V730 1453
- V731 1455
- V732 1457
- V733 1459
- V734 1461
- V735 1463
- V736 1465
- V737 1467
- V738 1469
- V739 1471
- V740 1473
- V741 1475
- V742 1477
- V743 1479
- V744 1481
- V745 1483
- V746 1485
- V747 1487
- V748 1489
- V749 1491
- V750 1493
- V751 1495
- V752 1497
- V753 1499
- V754 1501
- V755 1503
- V756 1505
- V757 1507
- V758 1509
- V759 1511
- V760 1513
- V761 1515
- V762 1517
- V763 1519
- V764 1521
- V765 1523
- V766 1525
- V767 1527
- V768 1529
- V769 1531
- V770 1533
- V771 1535
- V772 1537
- V773 1539
- V774 1541
- V775 1543
- V776 1545
- V777 1547
- V778 1549
- V779 1551
- V780 1553
- V781 1555
- V782 1557
- V783 1559
- V784 1561
- V785 1563
- V786 1565
- V787 1567
- V788 1569
- V789 1571
- V790 1573
- V791 1575
- V792 1577
- V793 1579
- V794 1581
- V795 1583
- V796 1585
- V797 1587
- V798 1589
- V799 1591
- V800 1593
- V801 1595
- V802 1597
- V803 1599
- V804 1601
- V805 1603
- V806 1605
- V807 1607
- V808 1609
- V809 1611
- V810 1613
- V811 1615
- V812 1617
- V813 1619
- V814 1621
- V815 1623
- V816 1625
- V817 1627
- V818 1629
- V819 1631
- V820 1633
- V821 1635
- V822 1637
- V823 1639
- V824 1641
- V825 1643
- V826 1645
- V827 1647
- V828 1649
- V829 1651
- V830 1653
- V831 1655
- V832 1657
- V833 1659
- V834 1661
- V835 1663
- V836 1665
- V837 1667
- V838 1669
- V839 1671
- V840 1673
- V841 1675
- V842 1677
- V843 1679
- V844 1681
- V845 1683
- V846 1685
- V847 1687
- V848 1689
- V849 1691
- V850 1693
- V851 1695
- V852 1697
- V853 1699
- V854 1701
- V855 1703
- V856 1705
- V857 1707
- V858 1709
- V859 1711
- V860 1713
- V861 1715
- V862 1717
- V863 1719
- V864 1721
- V865 1723
- V866 1725
- V867 1727
- V868 1729
- V869 1731
- V870 1733
- V871 1735
- V872 1737
- V873 1739
- V874 1741
- V875 1743
- V876 1745
- V877 1747
- V878 1749
- V879 1751
- V880 1753
- V881 1755
- V882 1757
- V883 1759
- V884 1761
- V885 1763
- V886 1765
- V887 1767
- V888 1769
- V889 1771
- V890 1773
- V891 1775
- V892 1777
- V893 1779
- V894 1781
- V895 1783
- V896 1785
- V897 1787
- V898 1789
- V899 1791
- V900 1793
- V901 1795
- V902 1797
- V903 1799
- V904 1801
- V905 1803
- V906 1805
- V907 1807
- V908 1809
- V909 1811
- V910 1813
- V911 1815
- V912 1817
- V913 1819
- V914 1821
- V915 1823
- V916 1825
- V917 1827
- V918 1829
- V919 1831
- V920 1833
- V921 1835
- V922 1837
- V923 1839
- V924 1841
- V925 1843
- V926 1845
- V927 1847
- V928 1849
- V929 1851
- V930 1853
- V931 1855
- V932



