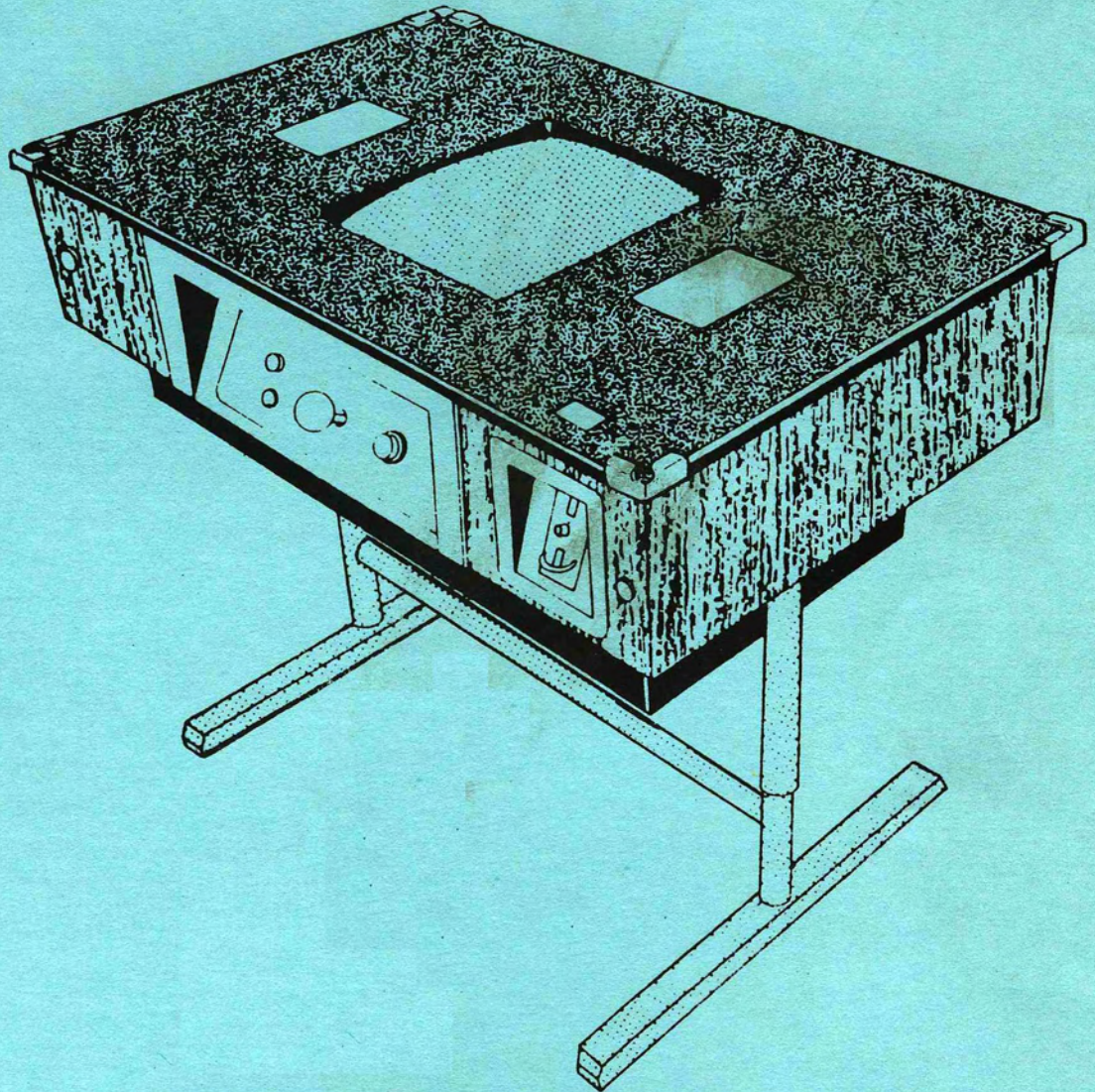


BLACK
& WHITE

SPACE INVADERS



PARTS CATALOG



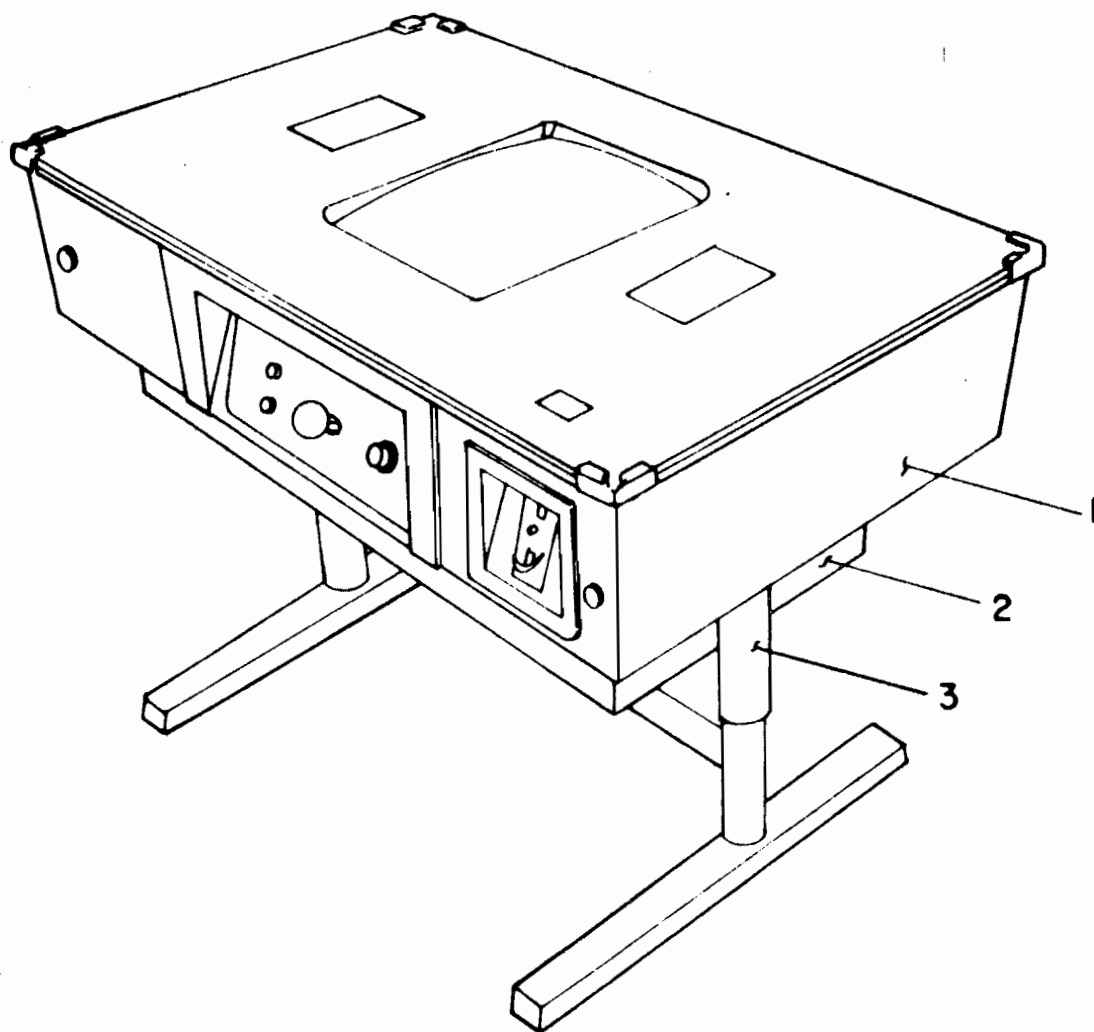
TAITO AMERICA CORPORATION
1256 Estes Avenue, Elk Grove Village, IL 60007

#960015

INDEX

<u>PAGE NO:</u>	<u>DESCRIPTION:</u>
1.	INDEX
2.	CABINET ACCESSORY ASSEMBLY DRAWING
3.	CABINET ACCESSORY PARTS LIST
4.	CABINET ASSEMBLY DRAWING
5.	CABINET ASSEMBLY PARTS LIST
6.	TABLE TOP BOARD ASSEMBLY DRAWING
7.	TABLE TOP BOARD ASSEMBLY PARTS LIST
8.	VIDEO AND CABINET ASSEMBLY DRAWING
9.	VIDEO AND CABINET ASSEMBLY PARTS LIST
10.	CONTROL PLATE ASSEMBLY - A DRAWING
11.	CONTROL PLATE ASSEMBLY - A PARTS LIST
12.	CONTROL PLATE ASSEMBLY - B DRAWING
13.	CONTROL PLATE ASSEMBLY - B PARTS LIST
14.	PRINTED BOARD AND REGULATOR ASSEMBLY DRAWING
15.	PRINTED BOARD AND REGULATOR ASSEMBLY PARTS LIST
16.	REVISIONS

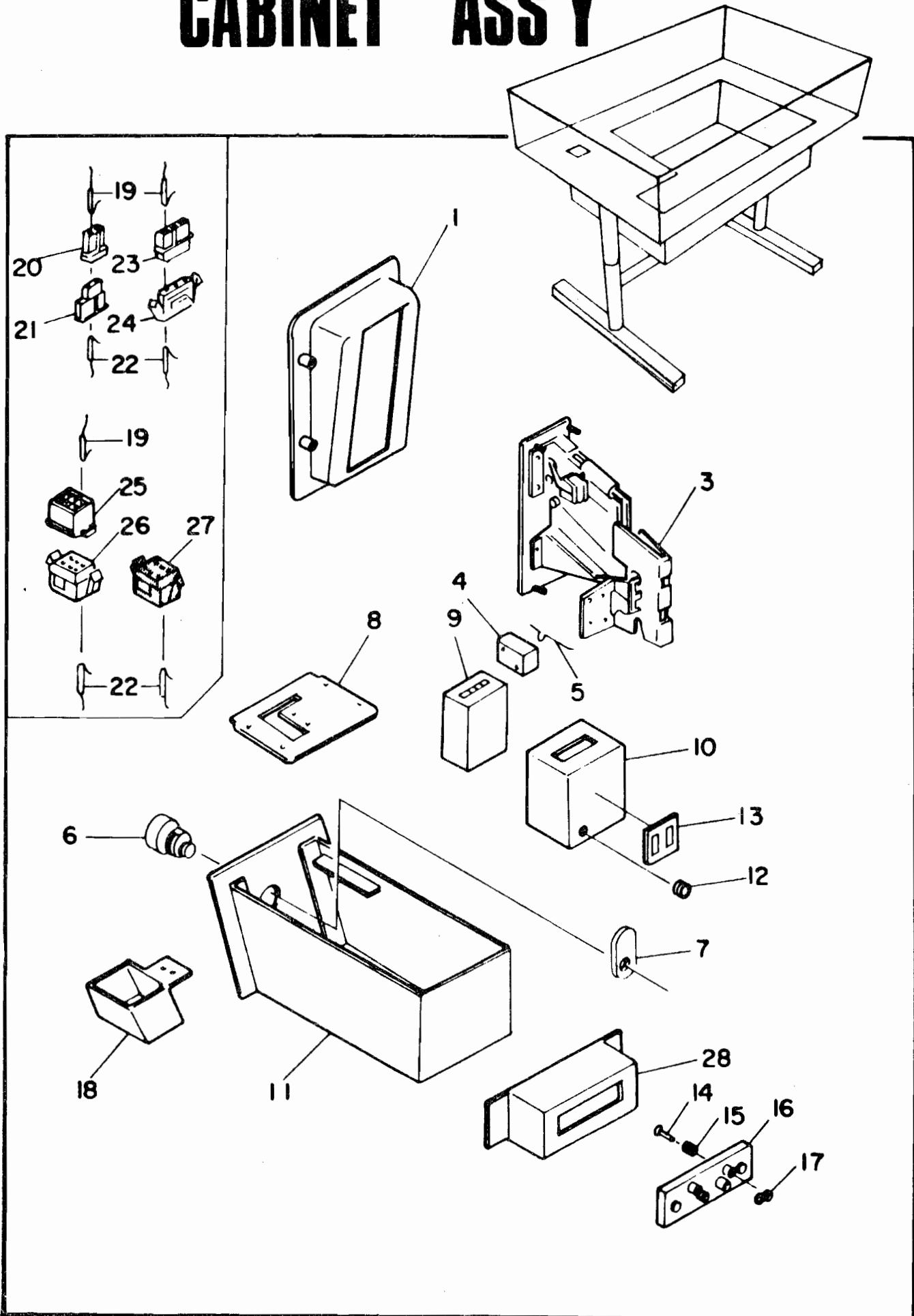
CABINET ACCESSORY ASS'Y



CABINET ACCESSORY ASSEMBLY

<u>ITEM:</u>	<u>PART NO:</u>	<u>REF. NO:</u>	<u>DESCRIPTION:</u>
1.	999046	CV010001	TABLE BOX
2.	998654	CV030001	BOTTOM BOX
3.	998653	AA016556	TABLE LEG

CABINET ASS'Y



CABINET ASSEMBLY

<u>ITEM:</u>	<u>PART NO:</u>	<u>REF. NO:</u>	<u>DESCRIPTION:</u>
1.	998581	AA019551	COIN ENTRY COVER
3.	500027	AA052512	25¢ COIN REJECTOR
4.	998283	AA052512	MICRO SWITCH C-5G3-3
6.	998656	AA016501	LOCK & KEY
7.	998657	AA013511	LOCK PLATE
8.	998658	CV030003	GUIDE PLATE
9.	998955	AA051717	COUNTER ME-5
10.	998694	CV030004	COUNTER BOX
11.	998659	CV030002	CASH BOX
12.	998786	AA018557	GROMMET SG-16A
13.	998522	AA017747	CONTACT P.C. BOARD
14.	998728	WT020004	FINGER PIN
15.	998739	WT050002	SPRING
16.	998523	AA019546	FINGER PIN GUIDE
17.	999014	AA056502	RING TERMINAL
18.	998660	CV030009	COIN CHUTE
19.	998950	AA055789	MATE-N-LOK PLUG PIN
20.	998443	AA055501	MATE-N-LOK CAP 2P.
21.	998444	AA055502	MATE-N-LOK PLUG 2P
22.	998951	AA055790	MATE-N-LOK SOCKET PIN
23.	998445	AA055521	MATE-N-LOK CAP, 3P.
24.	998446	AA055522	MATE-N-LOK PLUG 3P
25.	998447	AA055561	MATE-N-LOK CAP, 6P
26.	998448	AA055562	MATE-N-LOK PLUG, 6P
27.	998449	AA055566	MATE-N-LOK PLUG, 6P
28.	998661	CV030005	PIN GUIDE MOUNTING BRACKET

TABLE TOP BOARD ASS'Y

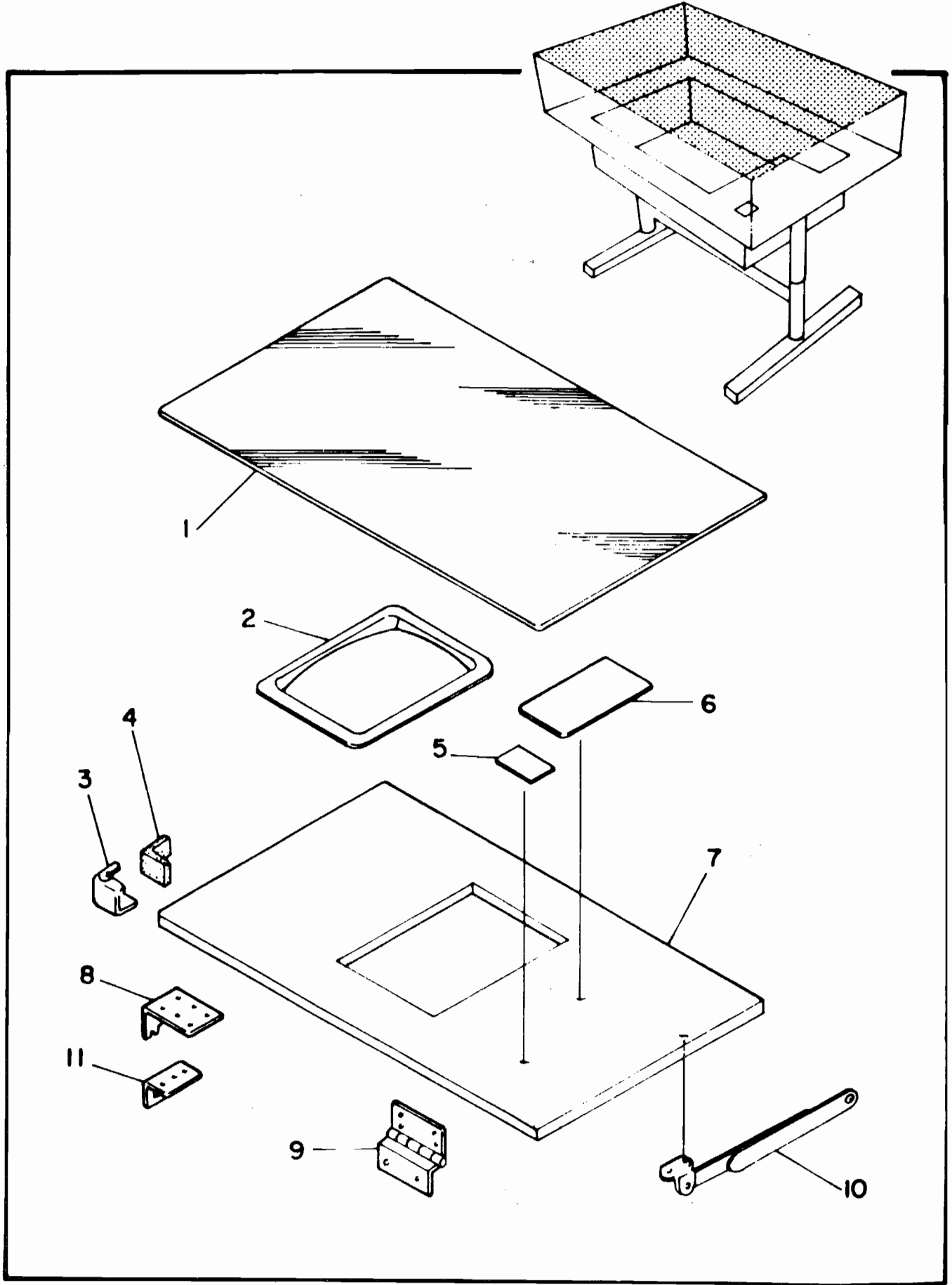
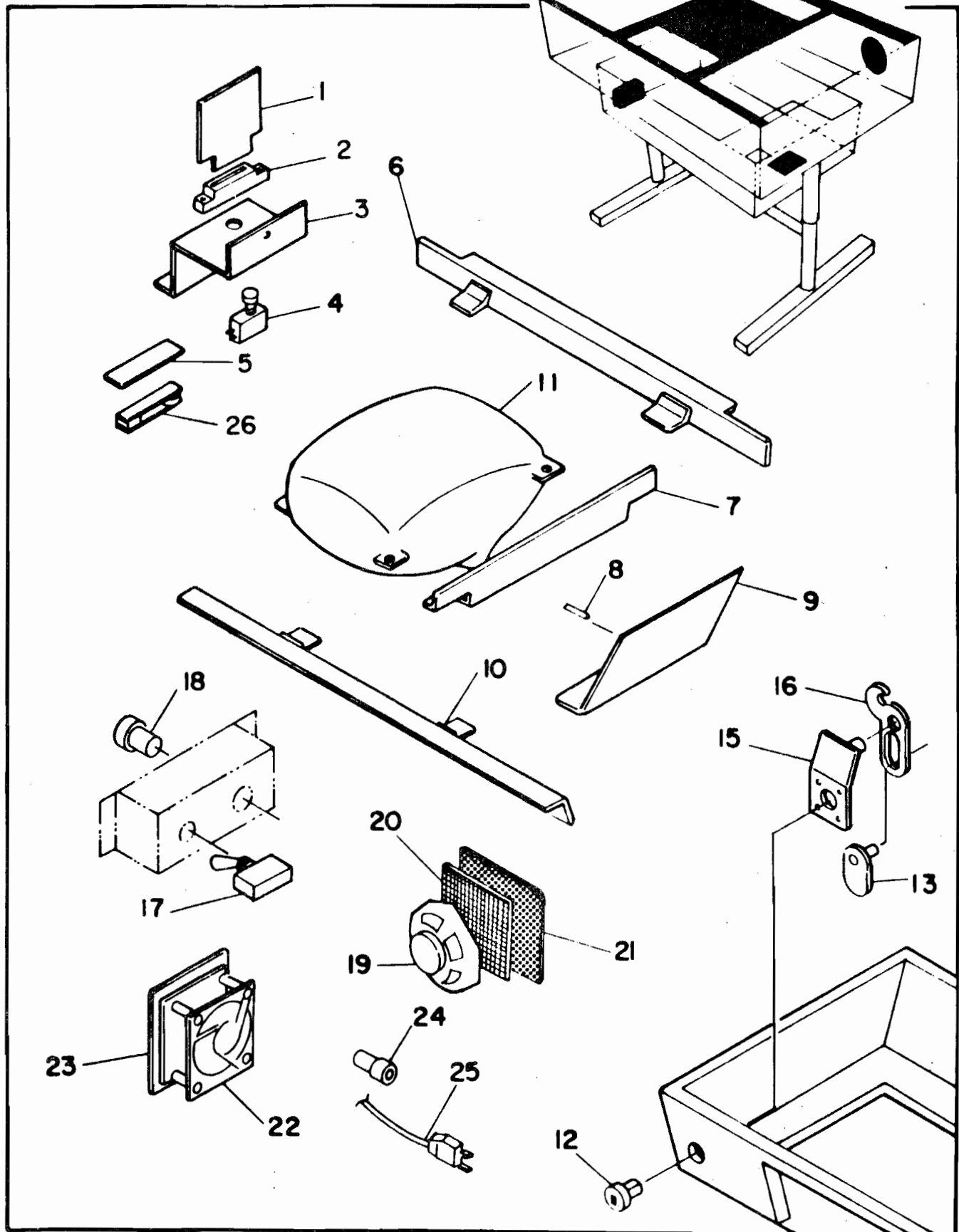


TABLE TOP BOARD ASSEMBLY

<u>ITEM:</u>	<u>PART NO:</u>	<u>REF. NO:</u>	<u>DESCRIPTION:</u>
1.	998574	TK090001	TABLE TOP GLASS
2.	998583	AA019539	VIDEO MASK
3.	998662	AA013593	CORNER BRACKET
4.	998584	AA019545	GLASS BUMPER
5.	999052	AA029521	COIN STICKER
6.	999053	TV070006	INSTRUCTION CARD
7.	999051	TK010002	TABLE TOP BOARD
8.	998663	AA013605	LOCK BRACKET
9.	998664	TW060001	HINGE ASSEMBLY
10.	998665	AA016553	HINGE ASSEMBLY
11.	998666	AAI13606	HOOK

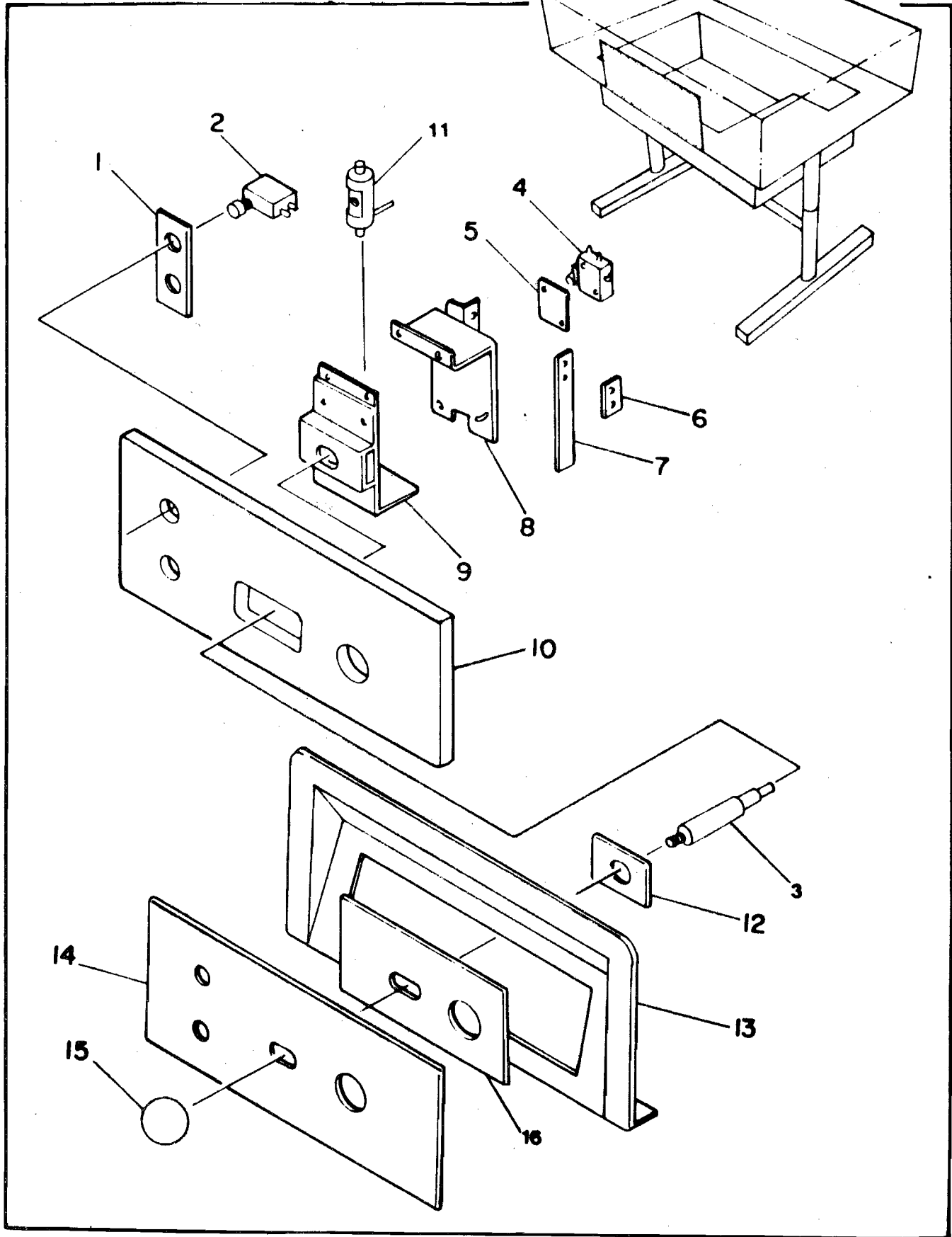
VIDEO AND CABINET ASS'Y



VIDEO AND CABINET ASSEMBLY

<u>ITEM:</u>	<u>PART NO:</u>	<u>REF. NO:</u>	<u>DESCRIPTION:</u>
1.	998899	AAM50009	COUNTER DRIVE P.C. BOARD ASSEMBLY
2.	998441	AAI55720	PRINT CONNECTOR, 10P
3.	998667	AA013607	CONNECTOR & SWITCH BRACKET
4.	998281	AA052511	PUSH BUTTON SWITCH VAQ-4R(OMRON V-1C2)
5.	998521	TV090010	INSULATOR
6.	998668	TK030001	SUPPORT BRACKET A
7.	998669	TV030001	TV BRACKET
8.	999015	AA069557	LOCKING CIRCUIT BOARD SUPPORT
9.	998706	AA013598	TV P.C. BOARD MOUNTING BRACKET
10.	998670	WT030006	SUPPORT BRACKET 6
11.	998981	TV090003	VIDEO
12.	999028	AA016550	SERVICE LOCK #7800
13.	998671	AA013602	LOCK LEVER PIN
15.	998672	AA013603	LOCK PLATE
16.	998673	AA013604	LOCK LEVER
17.	998284	AA052501	TOGGLE SWITCH S-301
18.	998957	AA055784	FUSE HOLDER S-N2056
19.	998961	AAT71001	SPEAKER, 8OHM, 5W, 12CM
20.	999026	WN090007	NET
21.	998674	WN030015	PUNCHING METAL
22.	998960	AA058581	FAN WEJ-55B4
23.	998785	AA018555	GASKET
24.	998585	AA069568	MOLD CORD BUSH
25.	107000	---	LINE CORD & PLUG ASSEMBLY
26.	998280	AA068717	TILT SWITCH

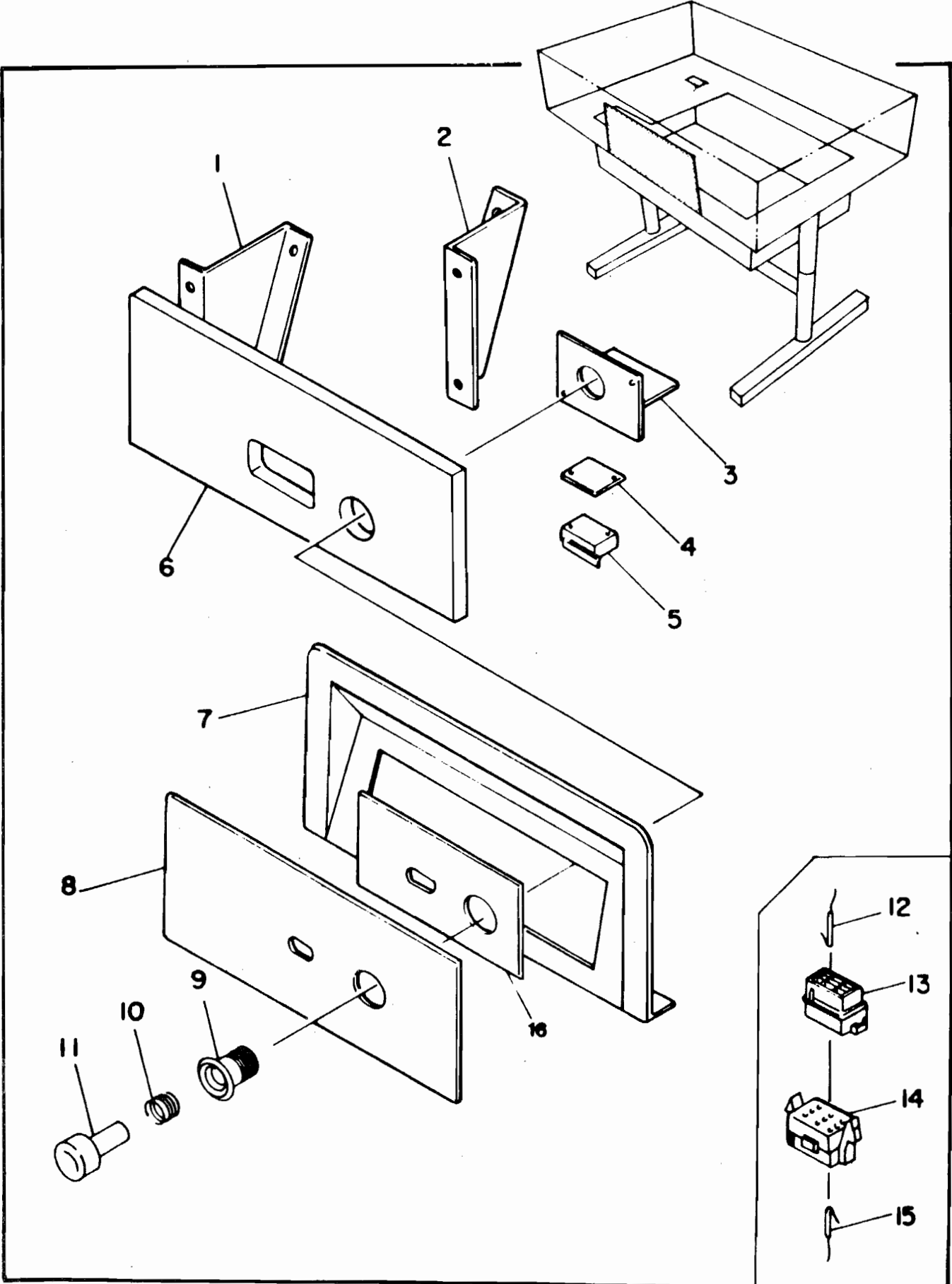
CONTROL PLATE ASS'Y - A



CONTROL PLATE ASSEMBLY - A

<u>ITEM:</u>	<u>PART NO:</u>	<u>REF. NO:</u>	<u>DESCRIPTION:</u>
1.	998691	TU030002	SWITCH PLATE
2.	998281	AA052511	PUSH BUTTON SWITCH VAQ-4R(OMRONV-1C2)
3.	998675	WT020002	LEVER
4.	998282	AA052532	MICRO SWITCH AH71555(V-10FL22-1AB)
5.	998520	AA019504	INSULATOR TYPE V
6.	999698	WT030007	WASHER
7.	998740	WT050001	PLATE SPRING
8.	998676	WT030005	MS MOUNTING BRACKET
9.	998677	WT030004	BASE BRACKET
10.	999024	TV010001	CONTROL BOARD A
11.	998678	WT020001	SHAFT
12.	998586	WT090002	MASK PLATE
13.	998587	AA019552	CONTROL PANEL
14.	998679	TV070002	CONTROL PLATE A
15.	400016	WT090001	COLOR BALL
16.	999023	CV090011	SPACER

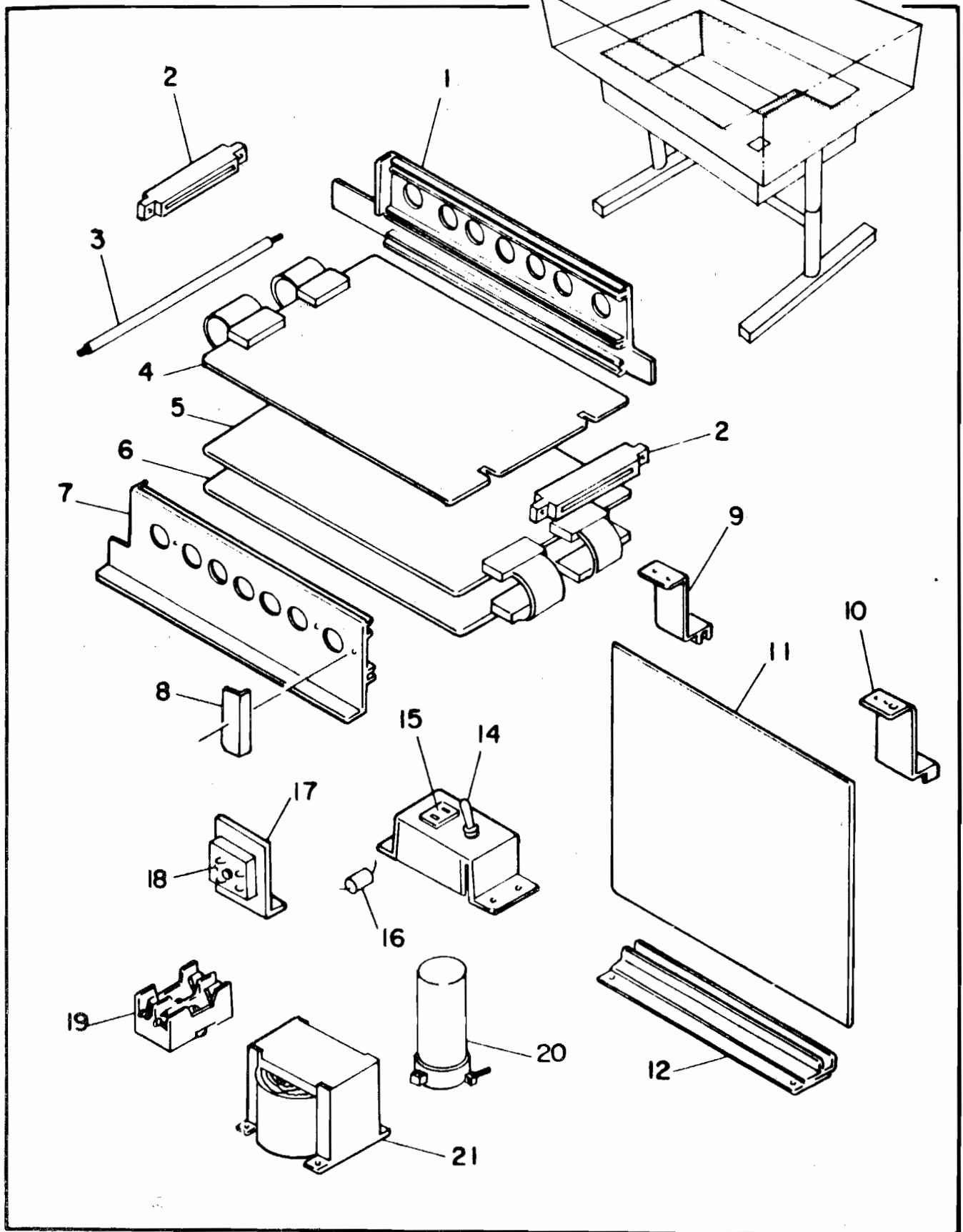
CONTROL PLATE ASS'Y - B



CONTROL PLATE ASSEMBLY - B

<u>ITEM:</u>	<u>PART NO:</u>	<u>REF. NO:</u>	<u>DESCRIPTION:</u>
1.	998680	TW030014	CONTROL BOARD BRACKET (A)
2.	998681	TW030015	CONTROL BOARD BRACKET (B)
3.	998682	BP030002	PUSH SWITCH BRACKET
4.	998520	AA019504	INSULATOR TYPE V
5.	020501	AA052531	MICRO SWITCH VL-11L
6.	999025	TV010002	CONTROL BOARD (B)
7.	998587	AA019552	CONTROL PANEL
8.	998683	TV070003	CONTROL PLATE (B)
9.	999013	AA019534	PUSH BUTTON HOUSING, RED.
10.	370000	BP050001	SPRING (A)
11.	999011	AA019533	PUSH BUTTON, RED.
12.	998950	AA055789	MATE-N-LOK PLUG PIN
13.	998450	AA055581	MATE-N-LOK CAP 9P
14.	998451	AA055582	MATE-N-LOK PLUG 9P
15.	998951	AAI55790	MATE-N-LOK SOCKET PIN
16.	999023	CV090011	SPACER

PRINTED BOARD AND REGULATOR ASS'Y



PRINTED BOARD AND REGULATOR ASSEMBLY

<u>ITEM:</u>	<u>PART NO:</u>	<u>REF. NO:</u>	<u>DESCRIPTION:</u>
1.	998684	WT090007	P.C. BOARD GUIDE (A)
2.	998442	AA055949	AMPLEAF CONNECTOR, 18P
3.	998686	TU020001	SHAFT
4.	998907	TVN00001	TV - GAME BOARD ASSEMBLY
5.	998897	CVN00003	TV - CPU - GAME BOARD ASSEMBLY(A)
6.	998898	CVN00006	TV-CPU- GAME BOARD ASSEMBLY(B)
7.	998685	WT090008	P.C. BOARD GUIDE (B)
8.	998687	CV030023	STOP BRACKET
9.	998688	CV090004	P.C. BOARD GUIDE BRACKET (L)
10.	998689	CV090005	P.C. BOARD GUIDE BRACKET (R)
11.	998896	AAM60006	POWER SUPPLY P.C. BOARD ASSEMBLY
12.	998788	TV090009	GUIDE RAIL
13.	998707	AA013599	SOCKET BOX
14.	998285	AA052535	TOGGLE SWITCH S-2A
15.	998956	AA055788	AC SOCKET S-1520
16.	997908	AAT41273	CAPACITOR TDY-2G-103
17.	998695	WS040001	HEAT SINK
18.	998028	AAT14028	RECTIFIER, KBPC2502
19.	998958	AA055801	FUSE HOLDER, F3321-2P

Postscript

Some modifications might be done as to the cabinet parts for this game. As regards modified machines, the pages 14 and 18 of the manual are to be revised.

Item	Part #	Description
16	AAO13611	Counter Box
17	AAO19553	Pin Base
18	AAO12566	Finger Pin
19	AAO13612	Pin Guide Mounting Bracket
20	AAO19554	Pin Guide
21	AAO17747	Contact P.C Board
22	AAO12567	Pin
23	WTO50002	Spring
24	AAO18504	Grommet NG79-C

o The above-mentioned parts should be eliminated, and the under-mentioned parts should be added.

Item	Part #	Description
1	AAO19559	Counter Box
2	AAO18558	Packing
3	AAO13619	Contact Plate B
4	AAO19558	Contact Plate Guide
5	WTO50002	Spring
6	AAO13618	Contact Plate A

