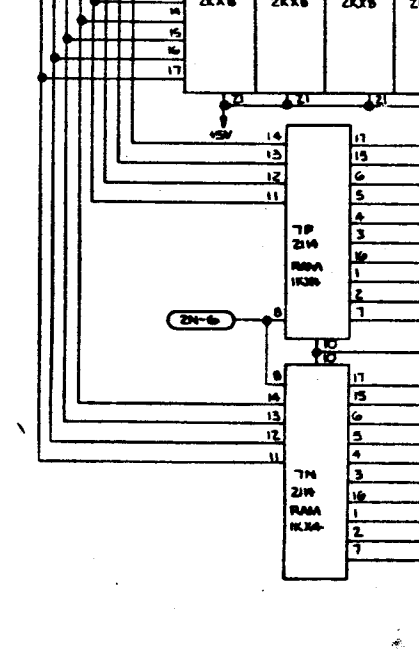
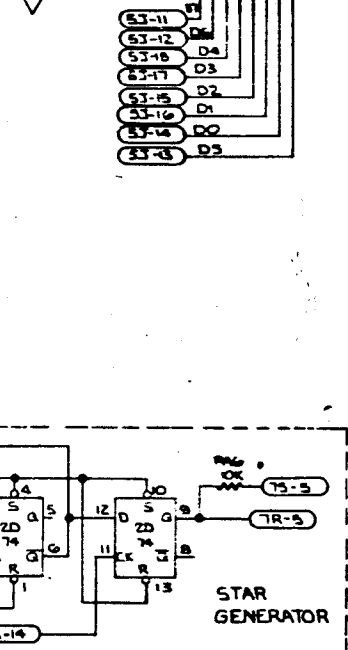
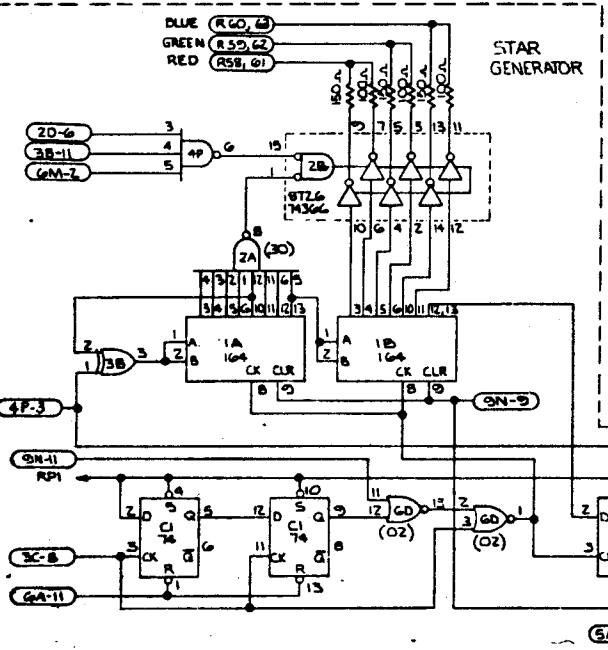
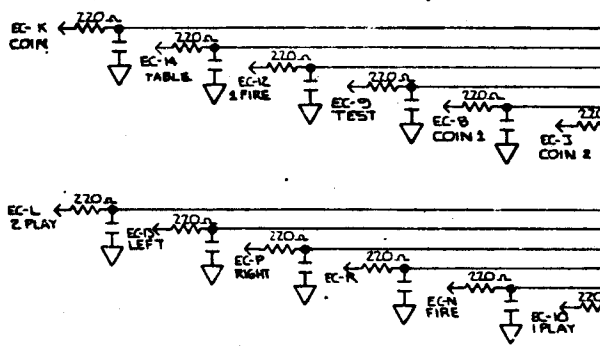
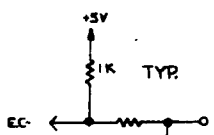
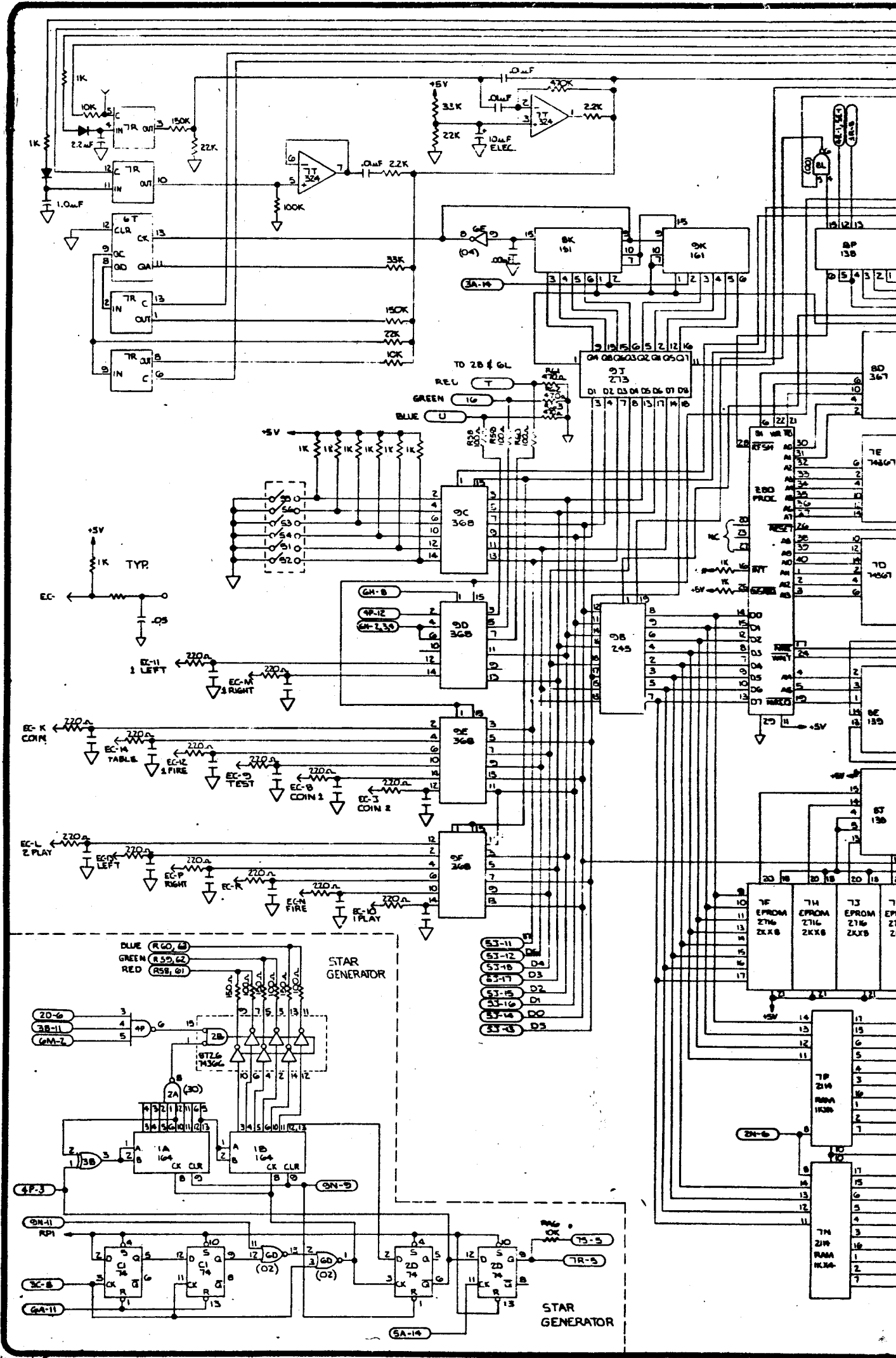
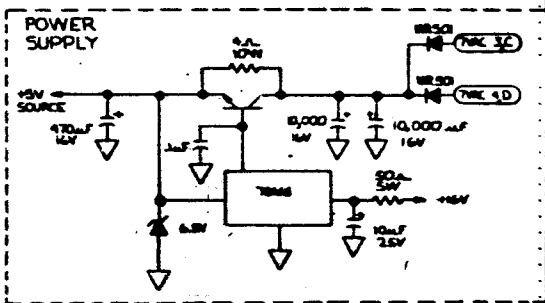
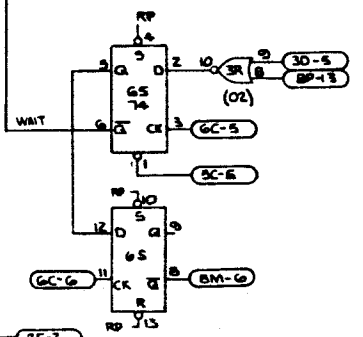
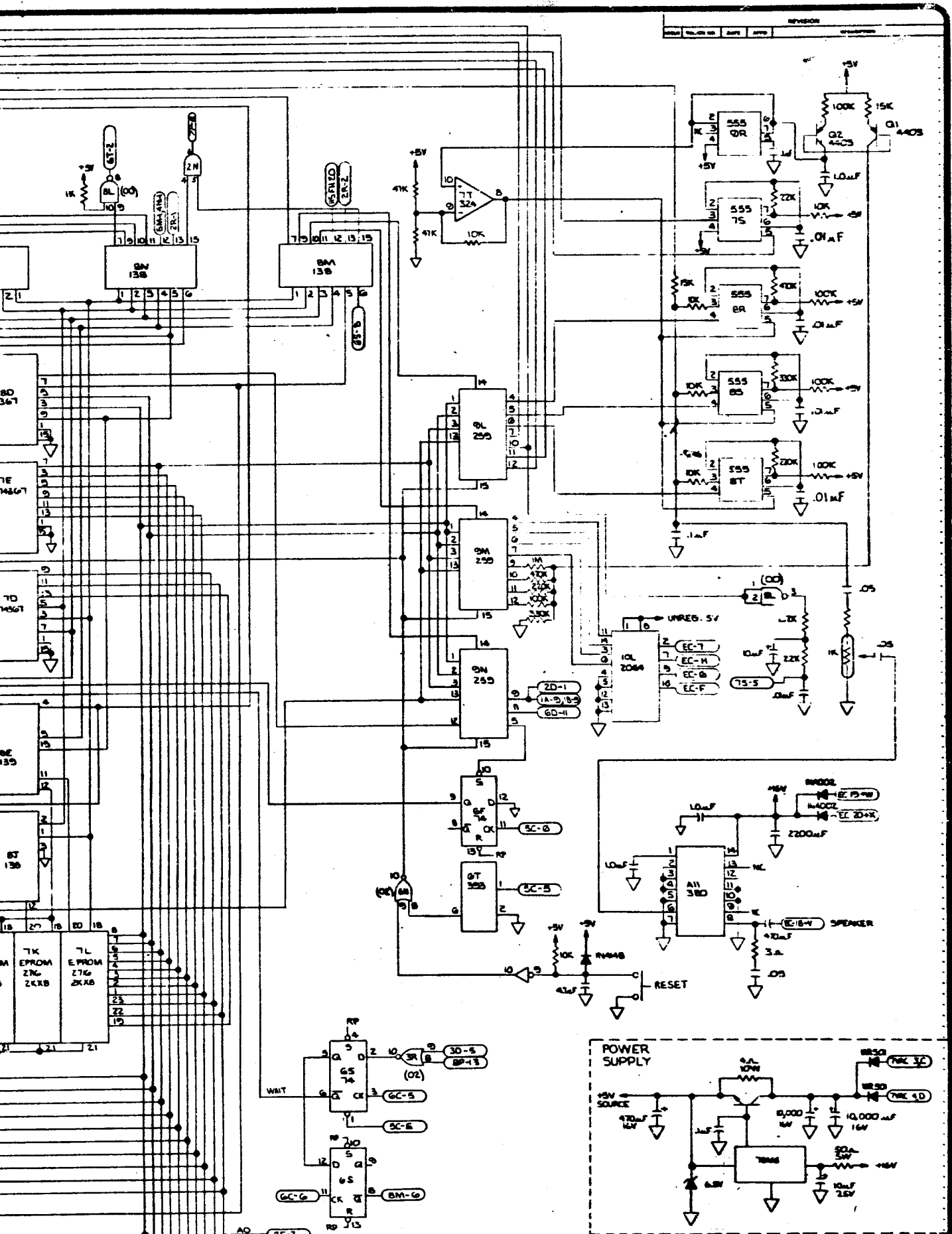


P U C K M A N
DIL SWITCH SETTINGS

SW	ON	OFF
1	1 coin, 1 credit	2 coin, 1 credit
2	1 coin, 3 credit	1 coin, 5 credit
3	Bonus 20k	Bonus 15k
4	Hard Game	Easy Game
5	5 Puck	3 Puck
6	Table Game	Upright Game

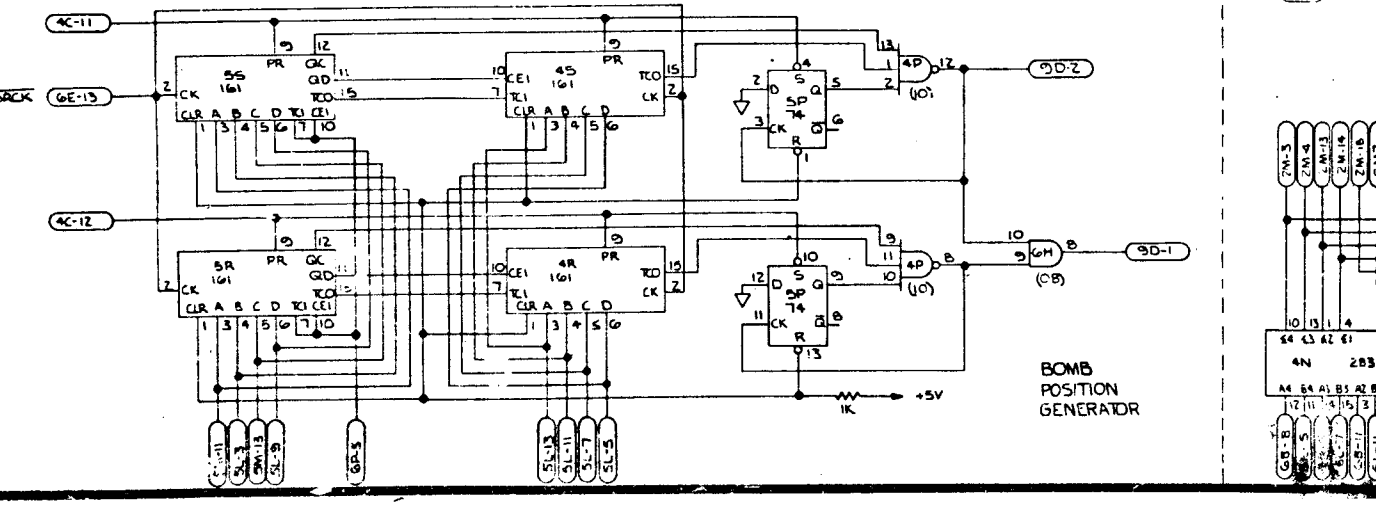
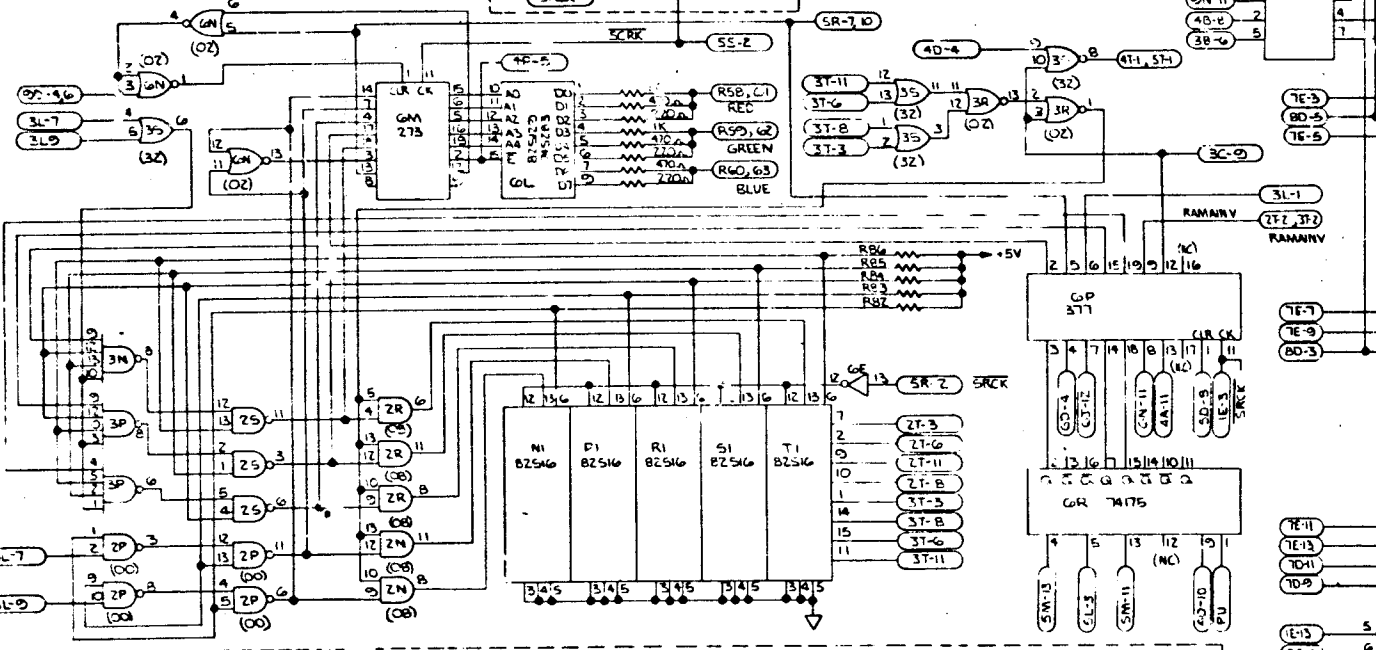
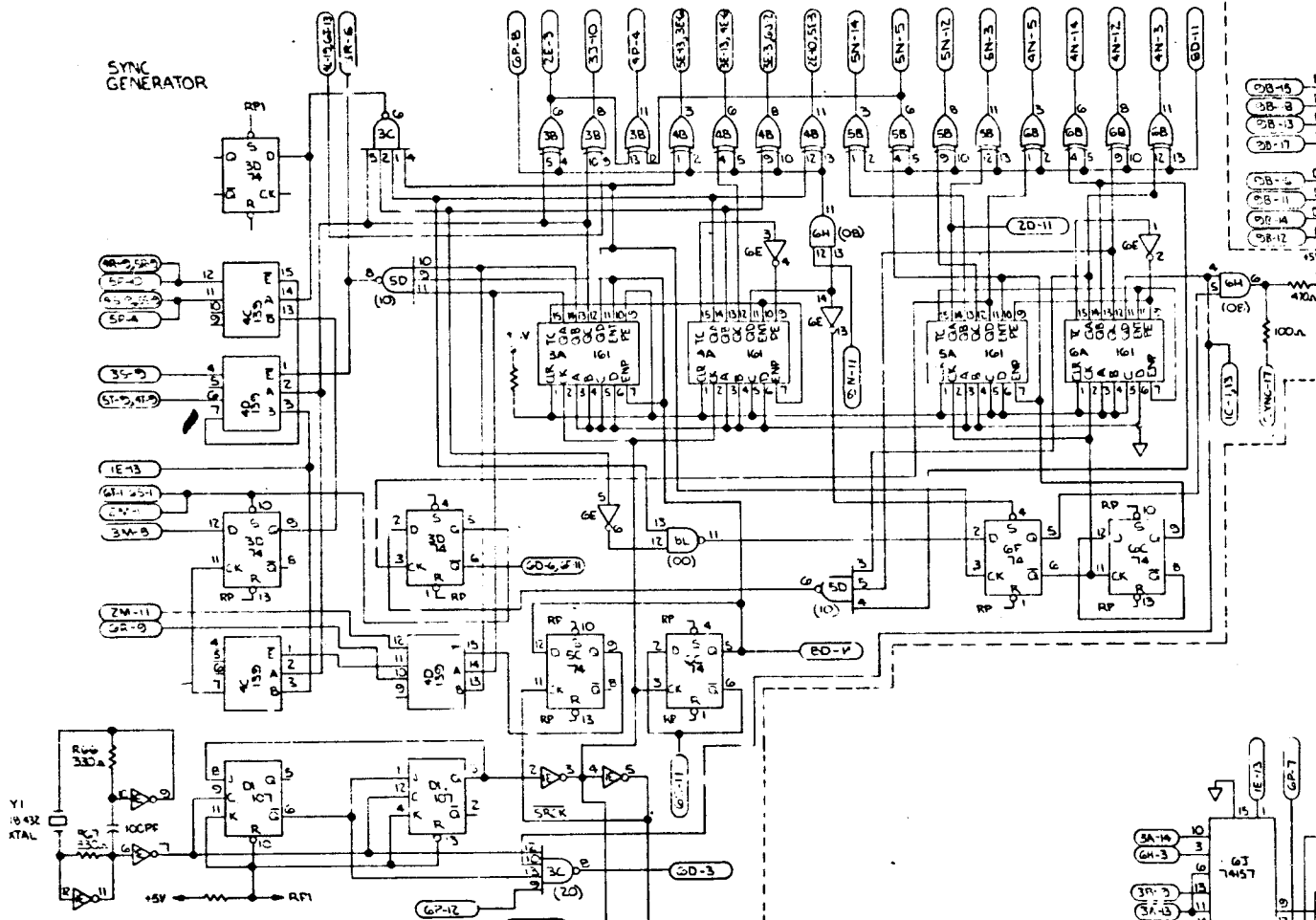




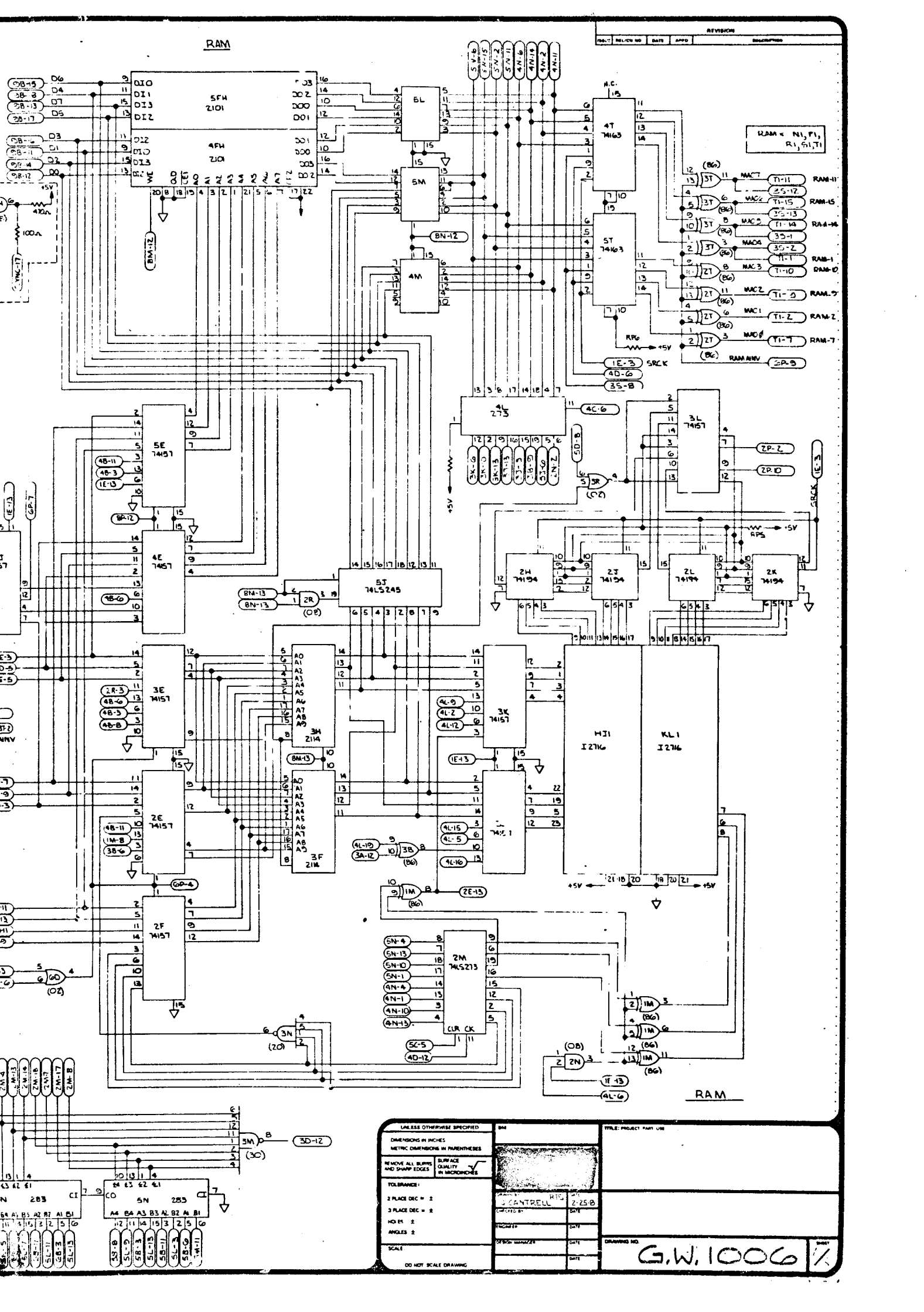
- A0 7E-2
- A1 3E-5
- A2 7E-11
- A3 3E-14
- A4 3E-2
- A5 7E-14
- A6 7E-2
- A7 2F-5
- AB 2F-14
- A9 2F-11

UNLESS OTHERWISE SPECIFIED	DATE	TITLE SHEET NO. 10
DIMENSIONS IN INCHES	REV. 1	
METRIC DIMENSIONS IN PARENTHESES	NO. 5	2-25-8
REMOVE ALL BURRS AND SHARP EDGES	DESIGN BY	
SURFACE QUALITY IN MICRONS	CHECKED BY	
TOLERANCES:	DATE DRAWN	
1 PLACE DEC = 0.1		
2 PLACE DEC = 0.01		
3 PLACE DEC = 0.001		
HOLE 0.005		
ANGLE 0.005		
SCALE:		
DO NOT SCALE DRAWING	G.W. 1005	

SYNC GENERATOR



BOMB POSITION GENERATOR



REV	DATE	APPD	REVISION

UNLESS OTHERWISE SPECIFIED		TITLE: PROJECT PART LOW	
DIMENSIONS IN INCHES METRIC DIMENSIONS IN PARENTHESES		DRAWING NO. G.W. 1006	
REMOVE ALL BURRS AND SHARP EDGES		DATE	
TOLERANCE: 2 PLACE DEC = ± 3 PLACE DEC = ±		DRAWING NO.	
NO ES ± ANGLES ±		DATE	
SCALE		DATE	
DO NOT SCALE DRAWING		DATE	

G.W. 1006