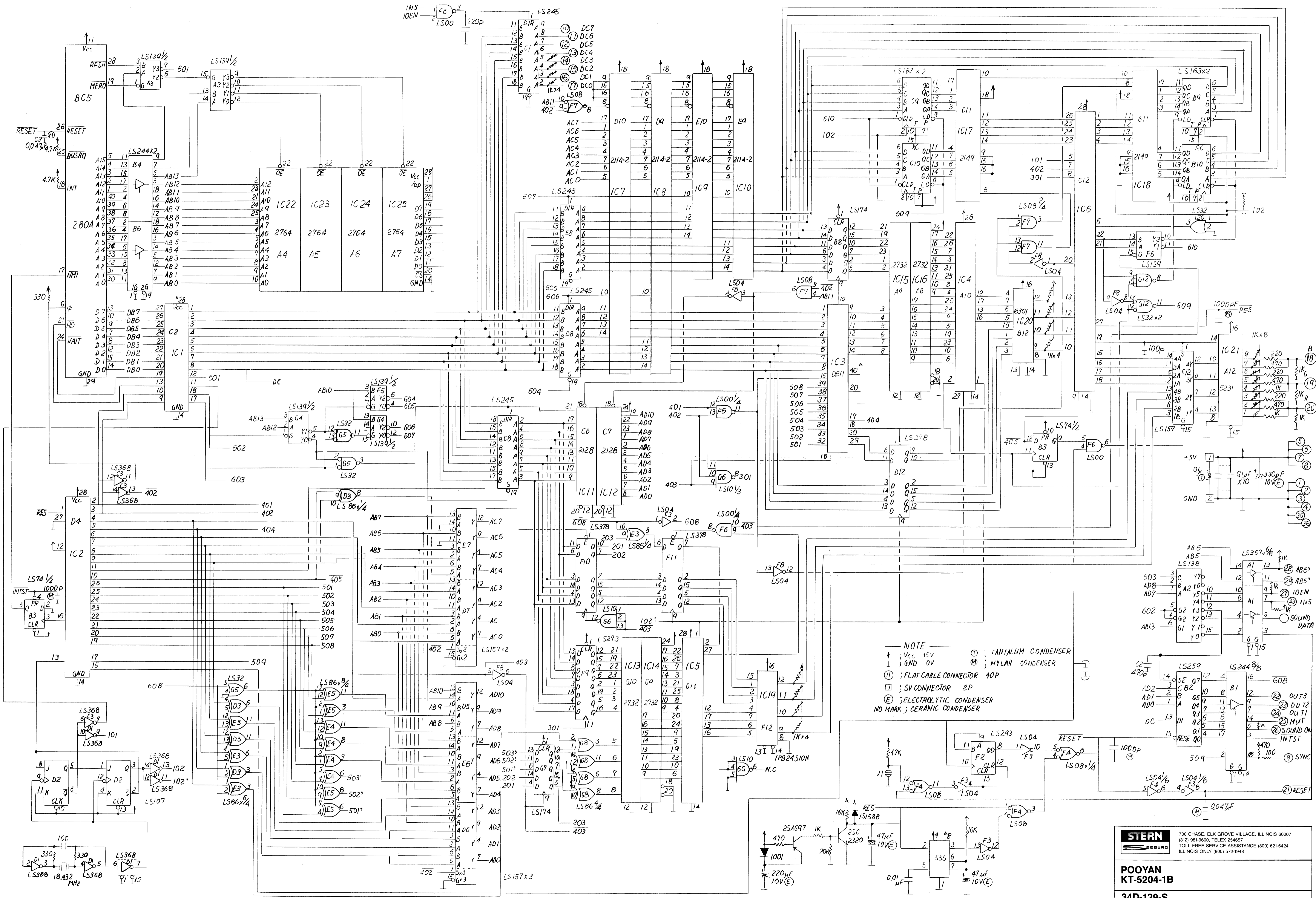


STERN
E E B U R G

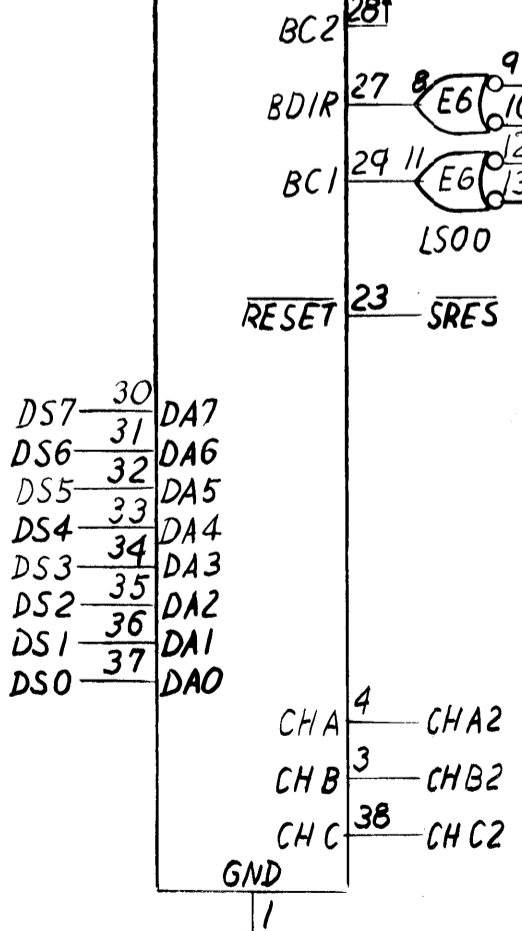
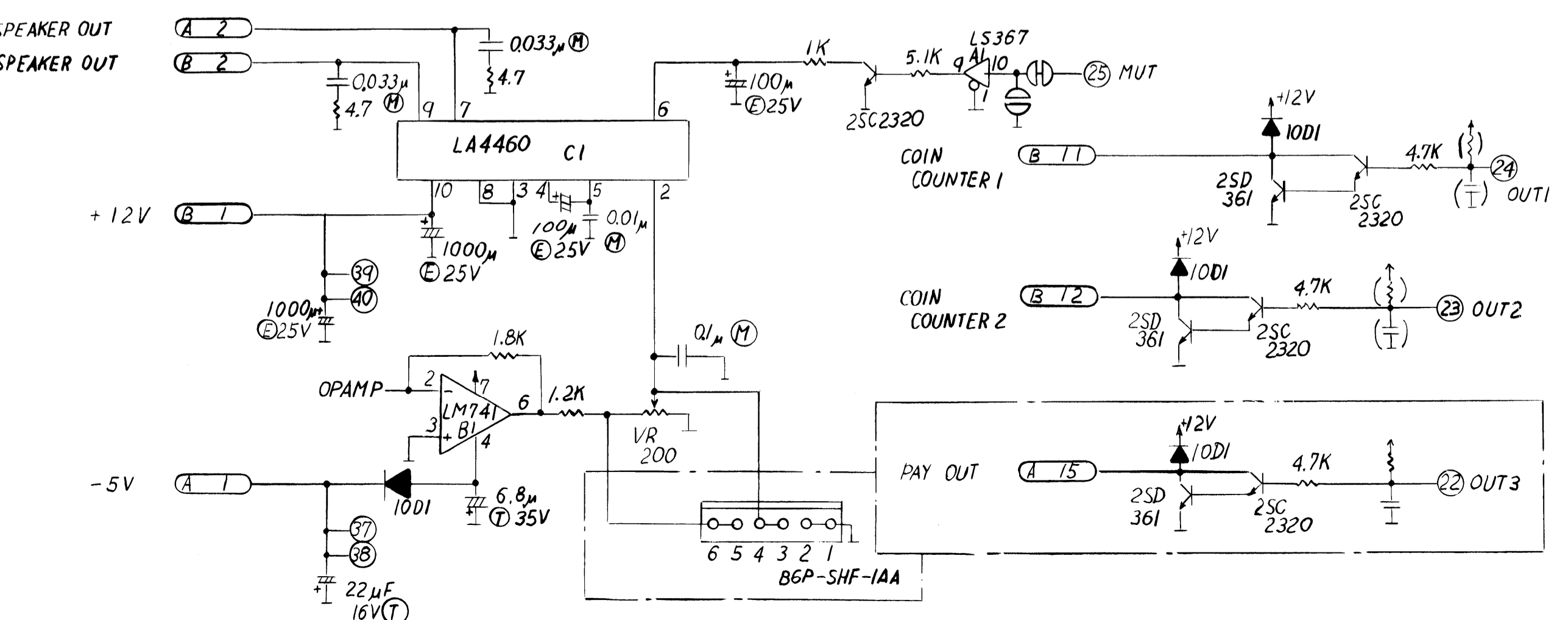
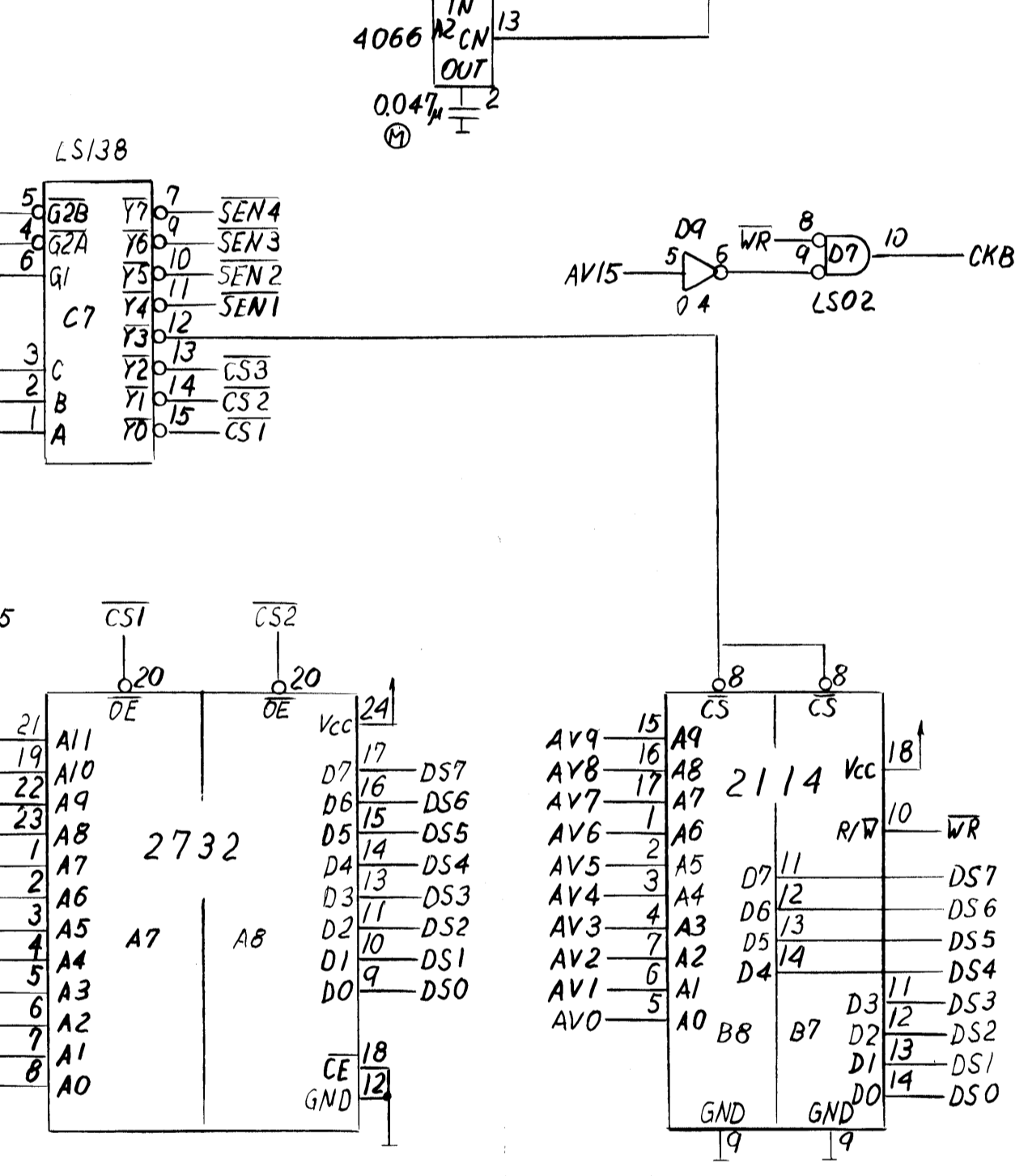
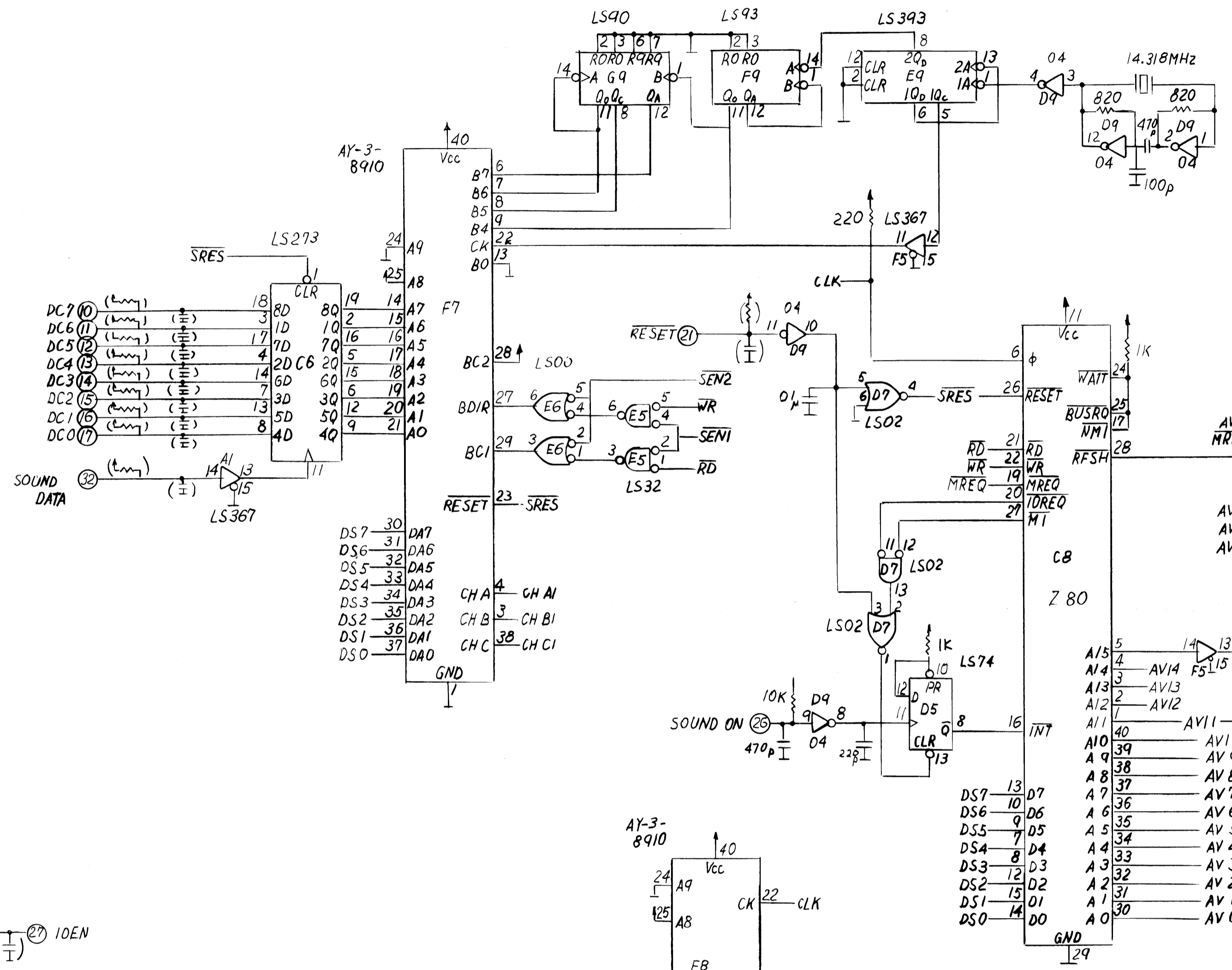
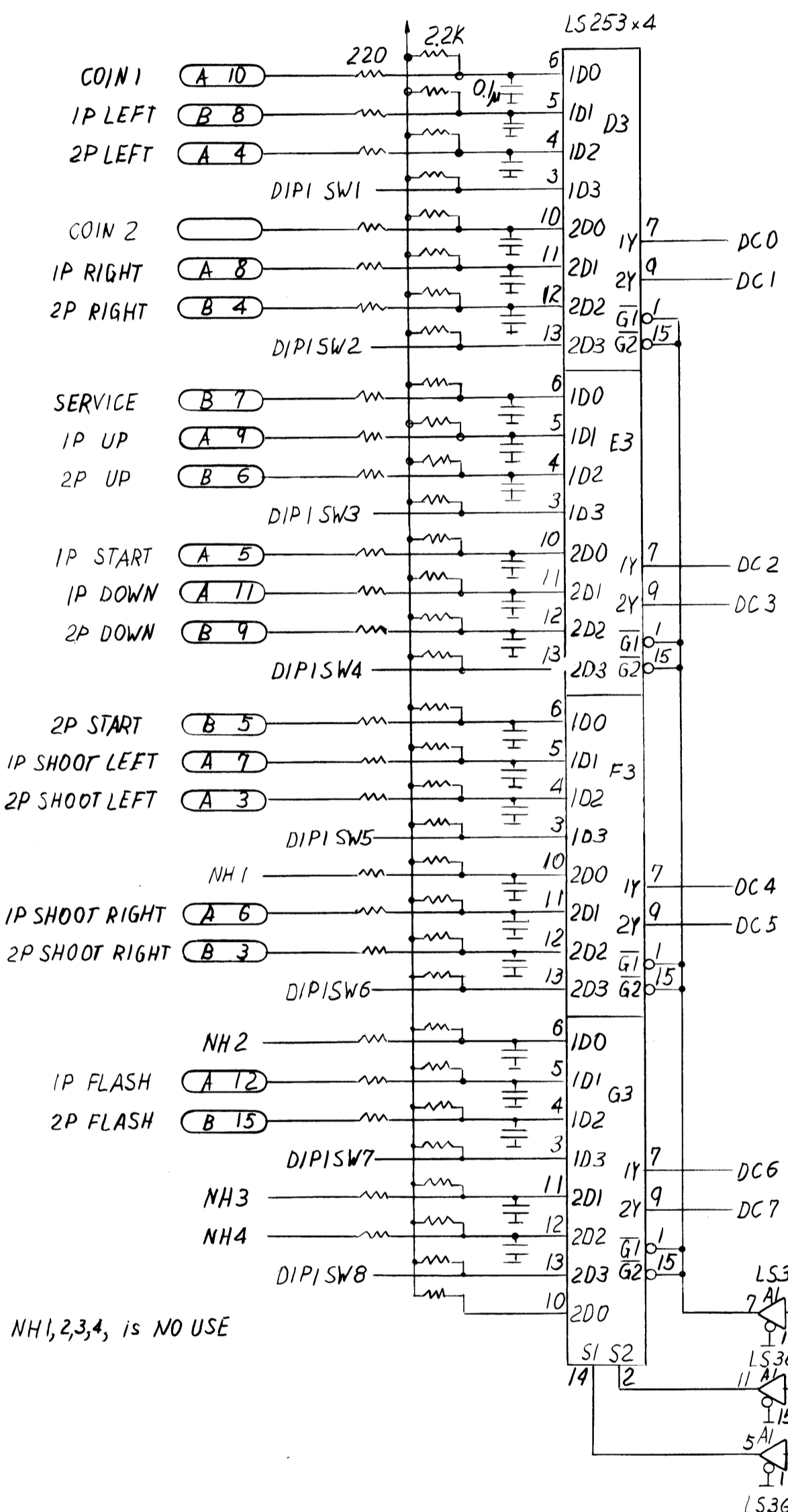
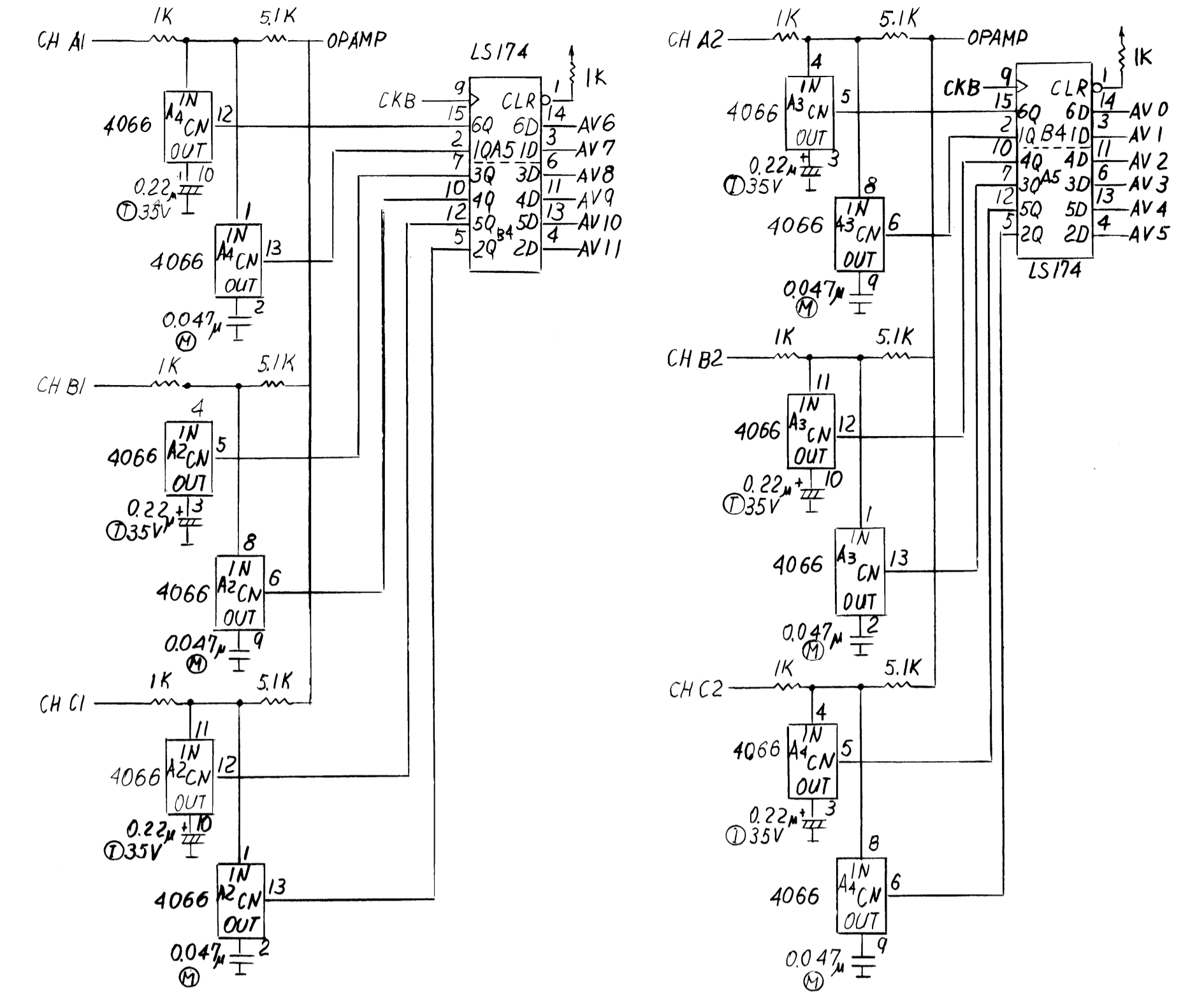
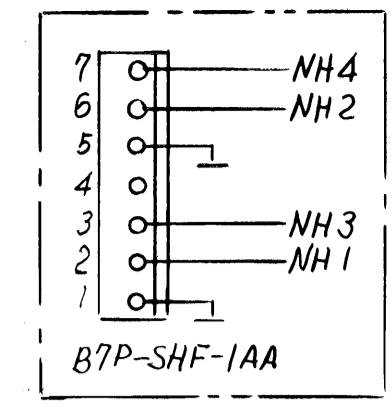
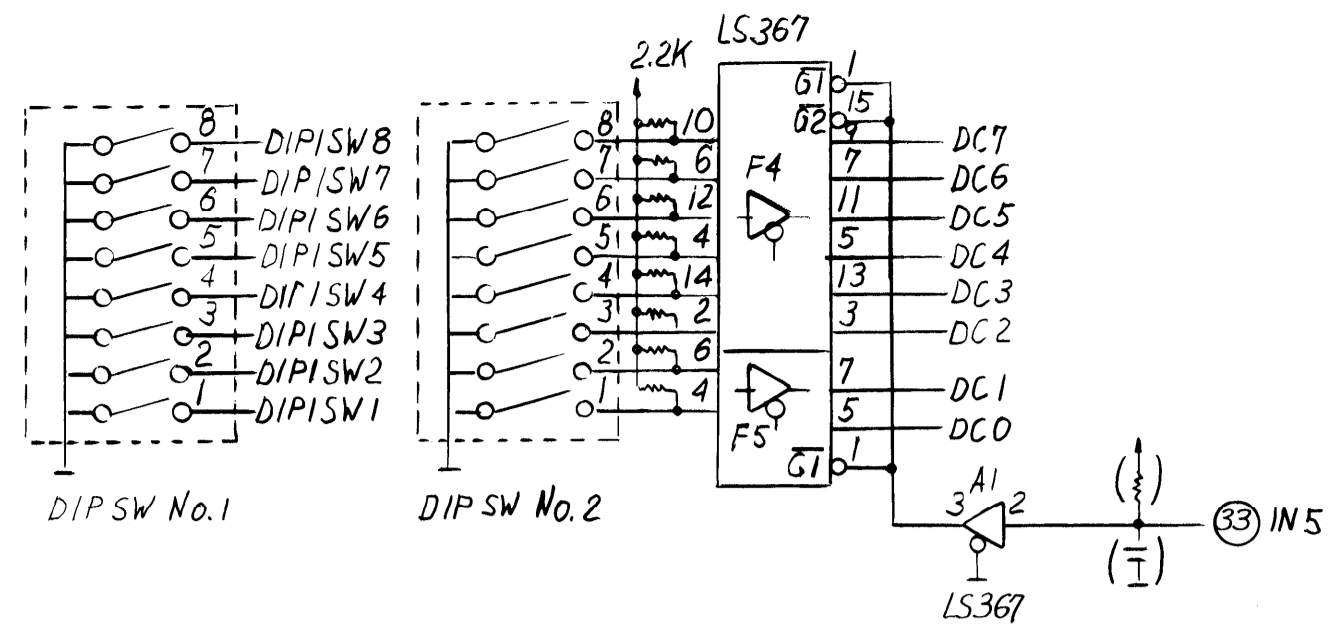
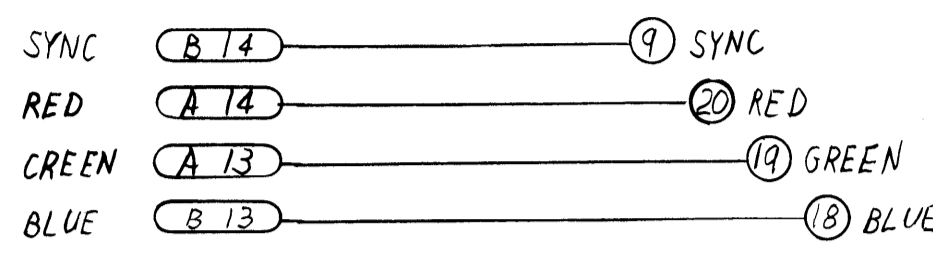
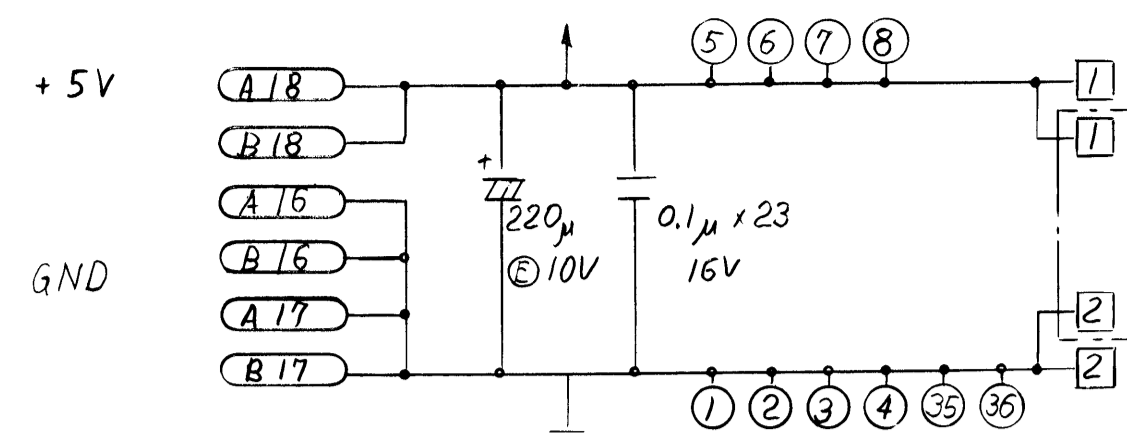
700 CHASE, ELK GROVE VILLAGE, ILLINOIS 60007
(312) 981-9600, TELEX 254657
TOLL FREE SERVICE ASSISTANCE (800) 621-6424
ILLINOIS ONLY (800) 572-1948

**POOYAN
WIRING DIAGRAM
COMPONENT DRAWER
34C-2358-WD**



NOTE

- ⬆ Vcc 45V
- ⬇ GND 0V
- ① ; TANTALUM CONDENSER
- Ⓜ ; MYLAR CONDENSER
- Ⓚ ; FLAT CABLE CONNECTOR 40P
- Ⓛ ; SV CONNECTOR 2P
- ⓔ ; ELECTROLYTIC CONDENSER
- NO MARK ; CERAMIC CONDENSER



NOTES
 + ; 5V Vcc
 ⊥ ; 0V GND
 [] ; 36 PIN CONNECTOR
 [] ; 40 PIN CONNECTOR
 [] ; 2 PIN CONNECTOR
 T ; TANTALUM ELECTROLYTIC CONDENSER
 M ; MYLAR CAPACITOR
 E ; ELECTROLYTIC CONDENSER
 NO MARK ; CERAMIC CONDENSER
 [] ; NO LAYOUT PARTS
 () ;

