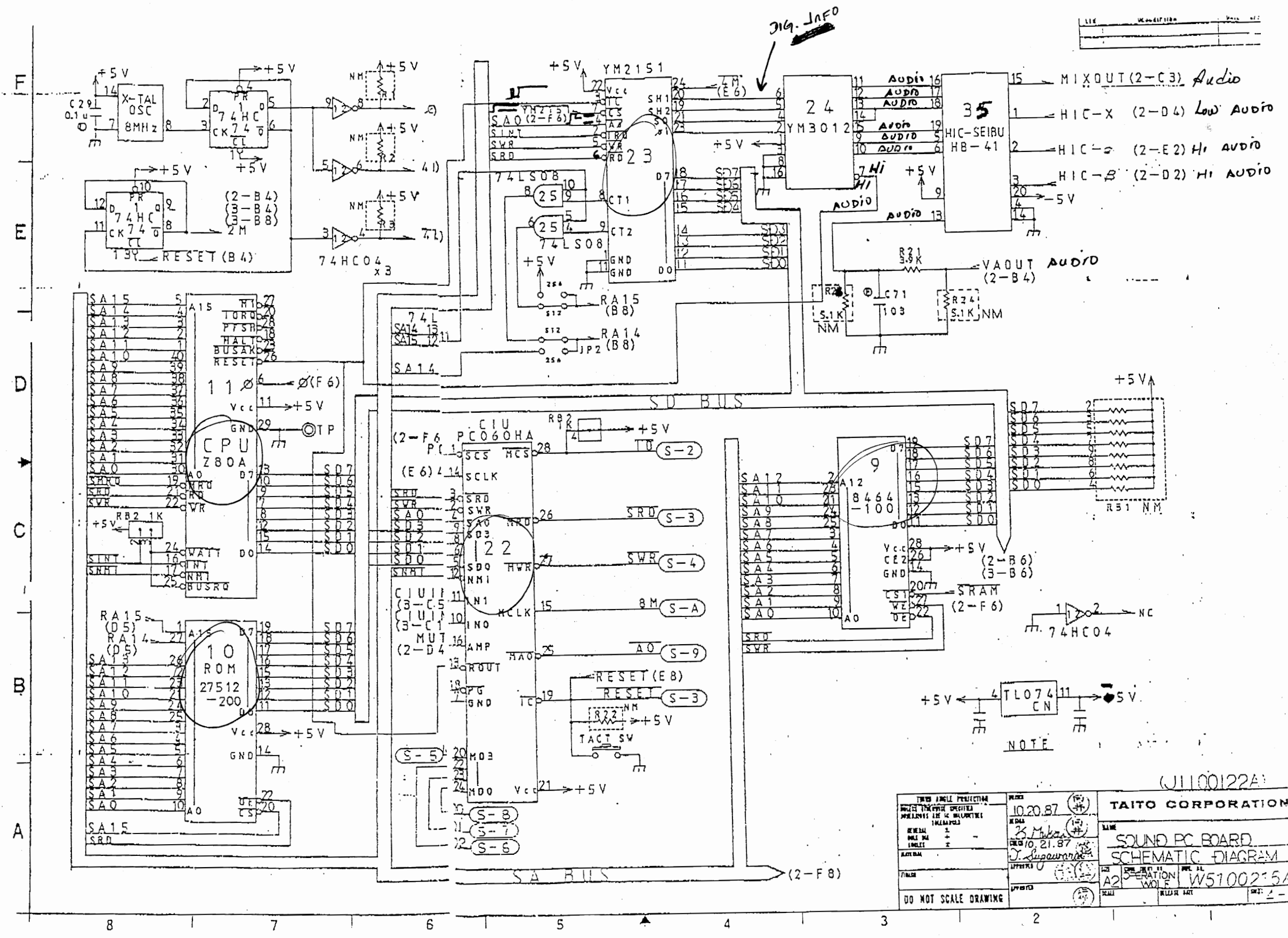
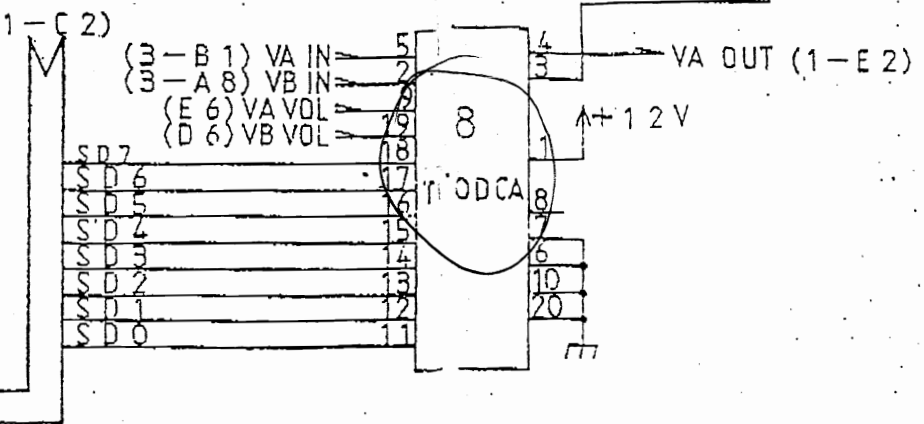
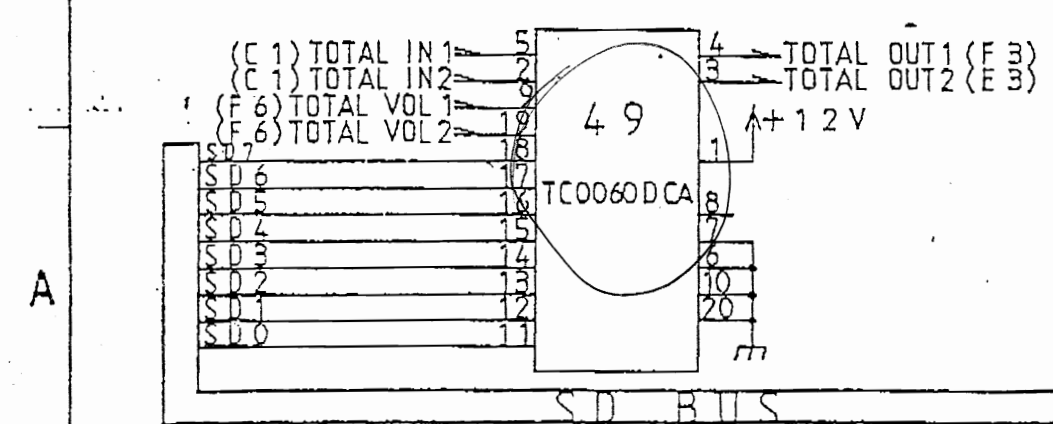
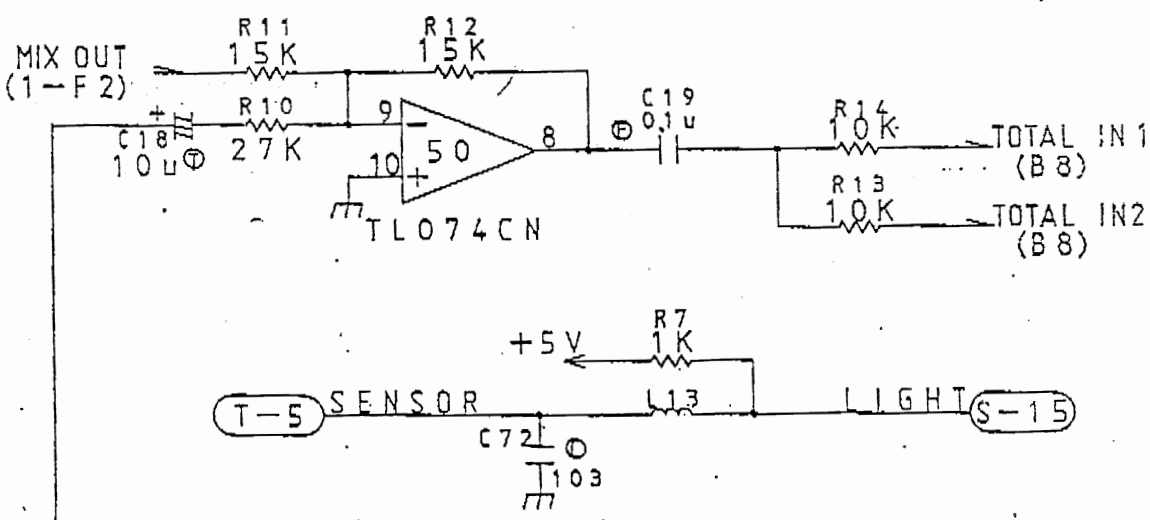
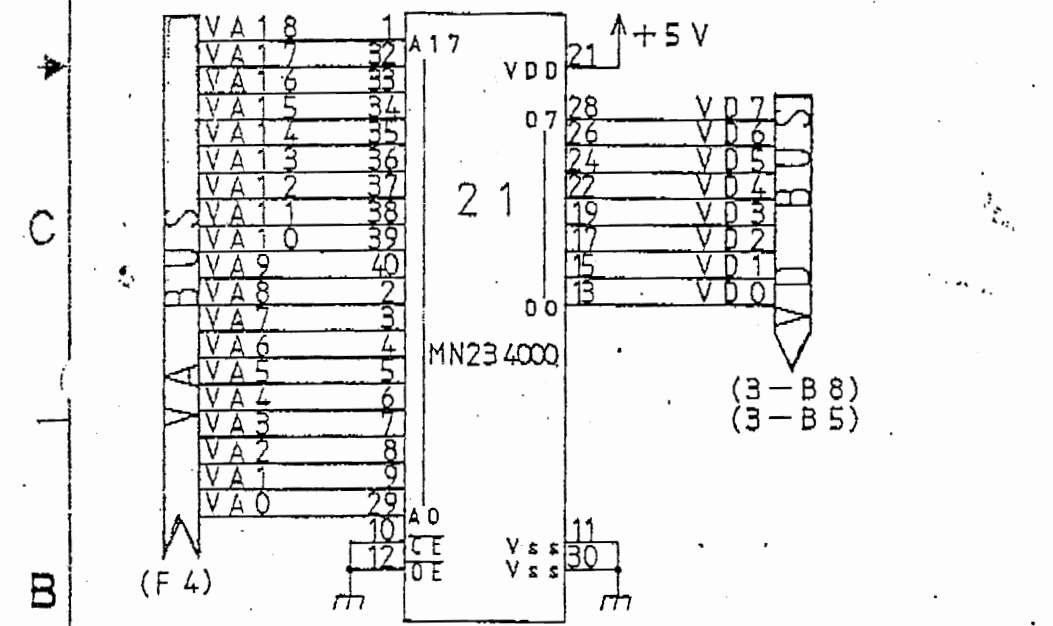
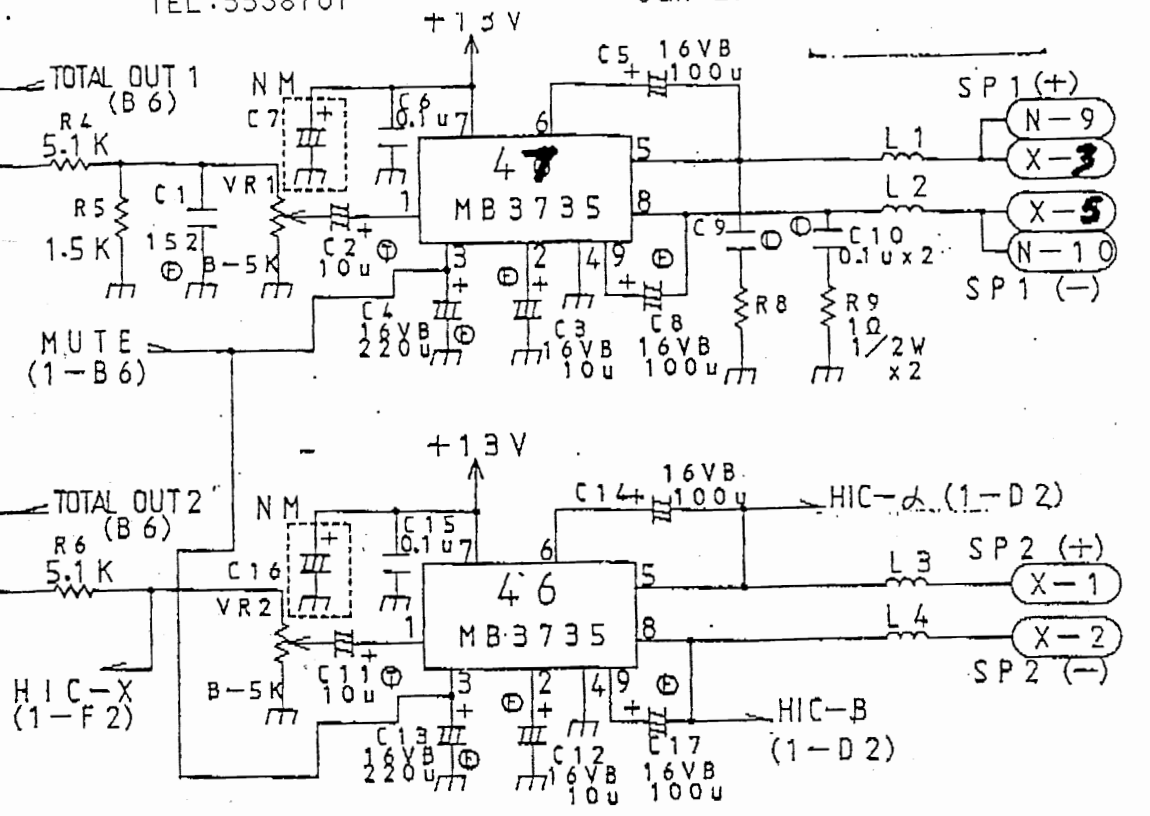
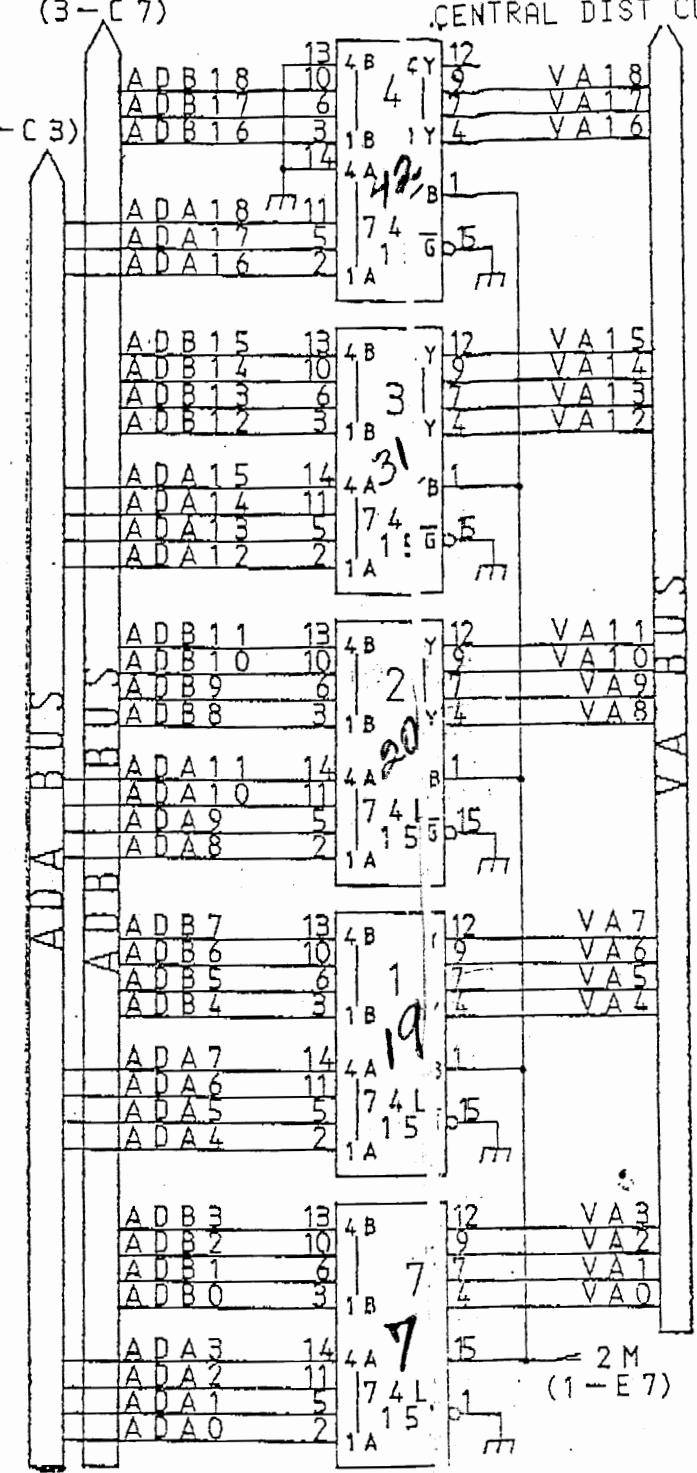
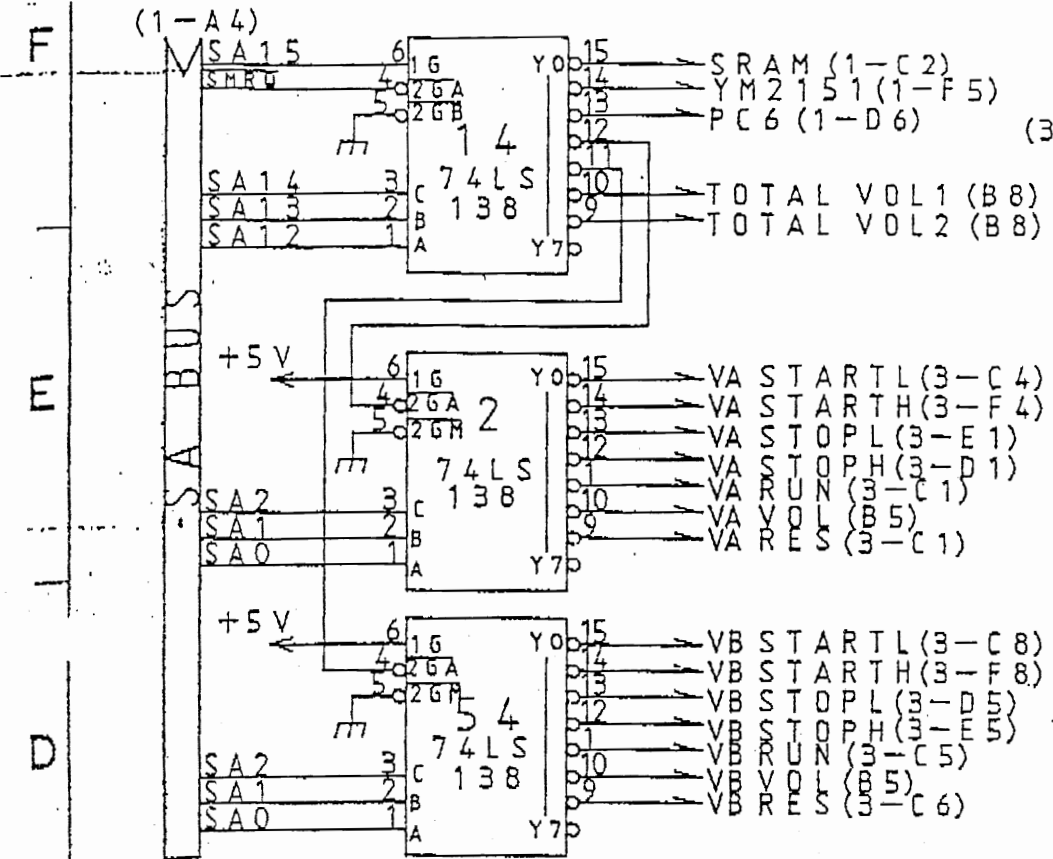


REV	DESCRIPTION	DATE



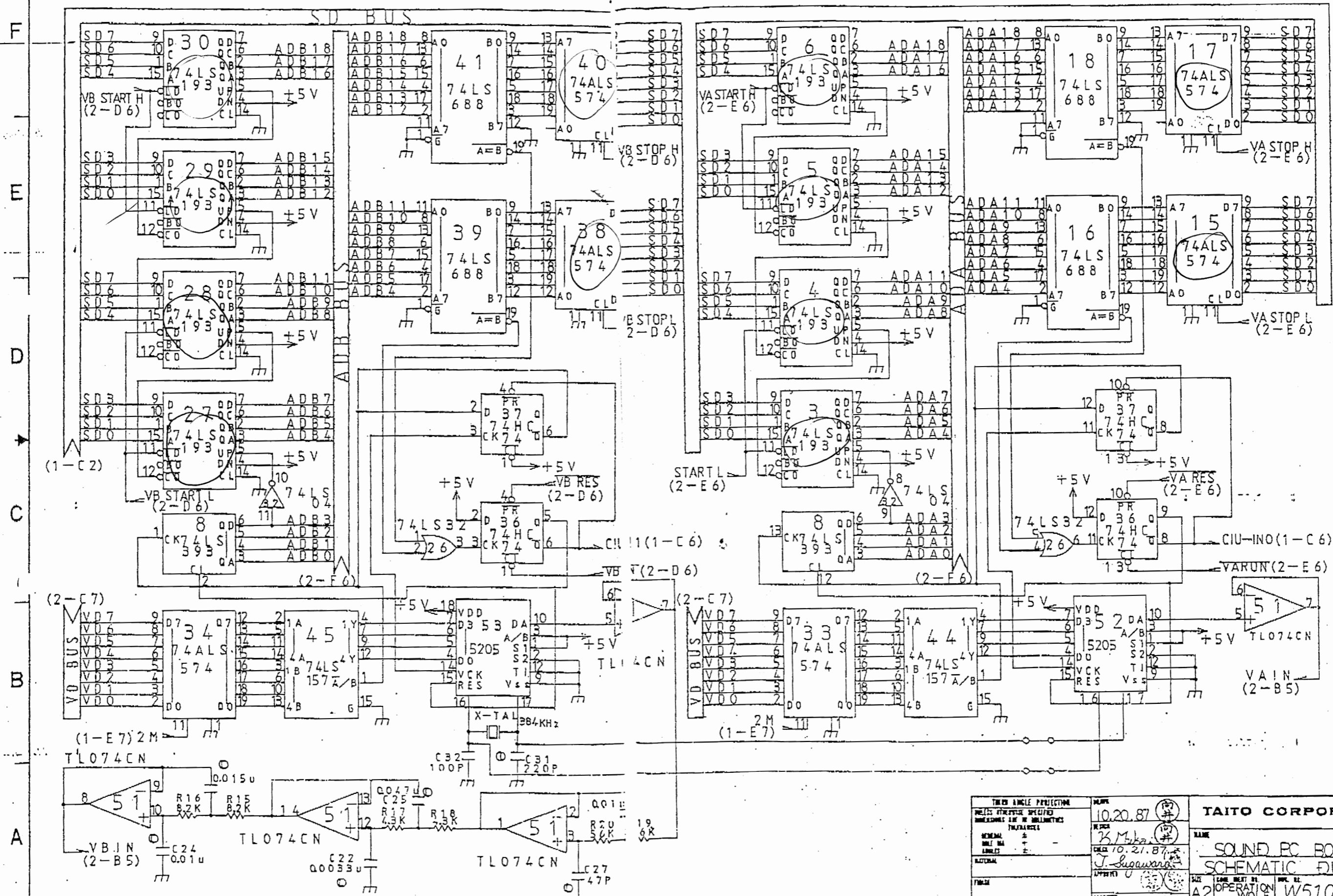
THIRD ANGLE PROJECTION	DATE	10.20.87	TAITO CORPORATION
SCALE	3.14		
GENERAL	DATE	10.21.87	SOUND PC BOARD
SCALE			
APPROVED	DATE		SCHEMATIC DIAGRAM
APPROVED	DATE		
DO NOT SCALE DRAWING	SCALE		W51002-54

(J1100122A)

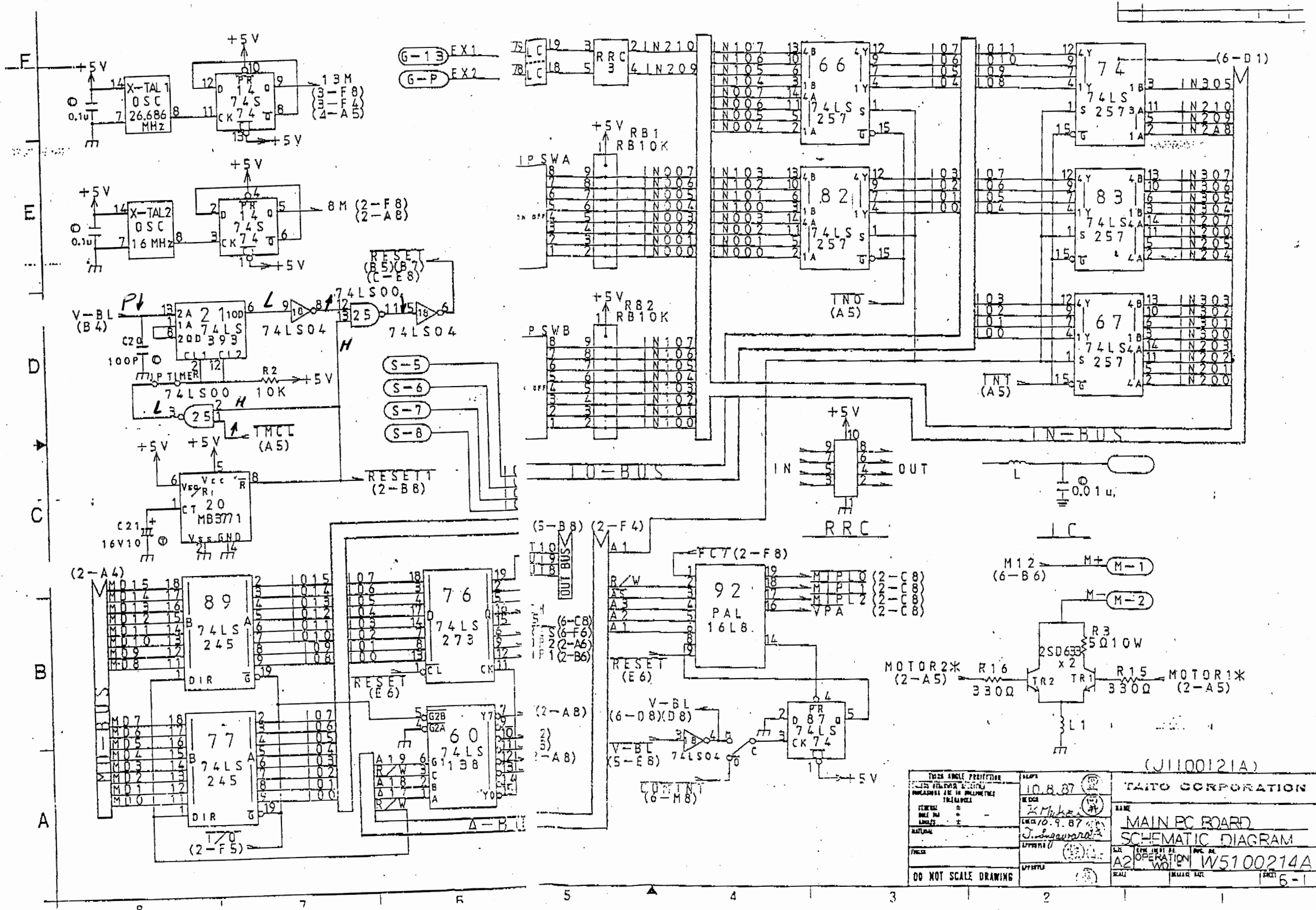


<p>THIRD ANGLE PROJECTION</p> <p>UNLESS OTHERWISE SPECIFIED DIMENSIONS ARE IN MILLIMETERS</p> <p>TOLERANCES</p> <p>DECIMAL ±</p> <p>FRACTIONAL ±</p> <p>ANGLES ±</p> <p>MATERIAL</p> <p>FINISH</p> <p>DO NOT SCALE DRAWING</p>	<p>DATE</p> <p>10.20.87</p> <p>DESIGN</p> <p>K. M. B. S.</p> <p>CHECK</p> <p>10.21.87</p> <p>APPROVED</p> <p>T. Sugawara</p> <p>APPROVED</p>	<p>TAITO CORPORATION</p> <p>NAME</p> <p>SOUND PC BOARD</p> <p>SCHEMATIC DIAGRAM</p> <p>SIZE</p> <p>A2</p> <p>OPERATION</p> <p>W5100215A</p> <p>SCALE</p> <p>1/4</p> <p>WELLER DOT</p> <p>SHEET</p> <p>4-2</p>
--	--	---

LINE	DESCRIPTION	DATE	BY

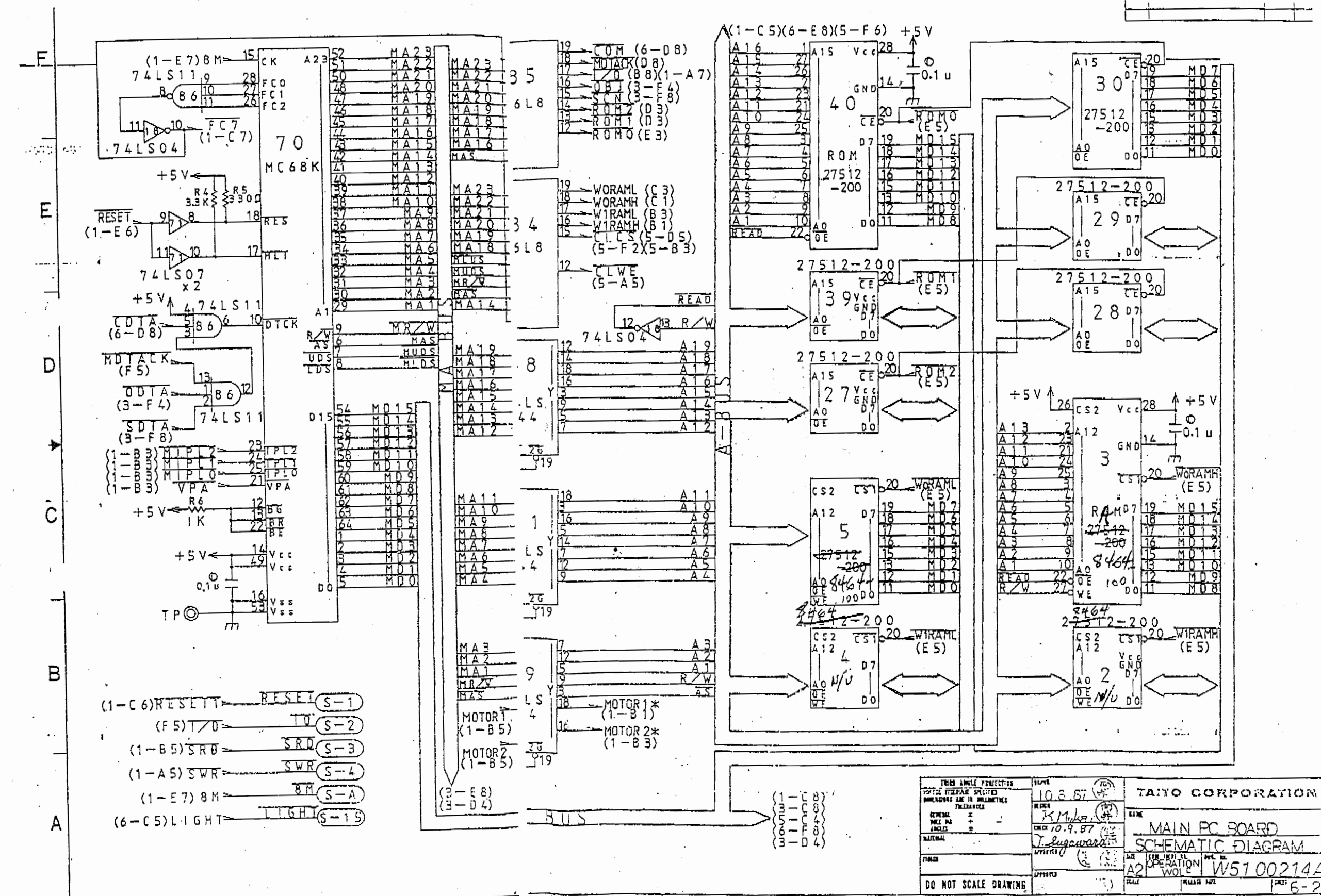


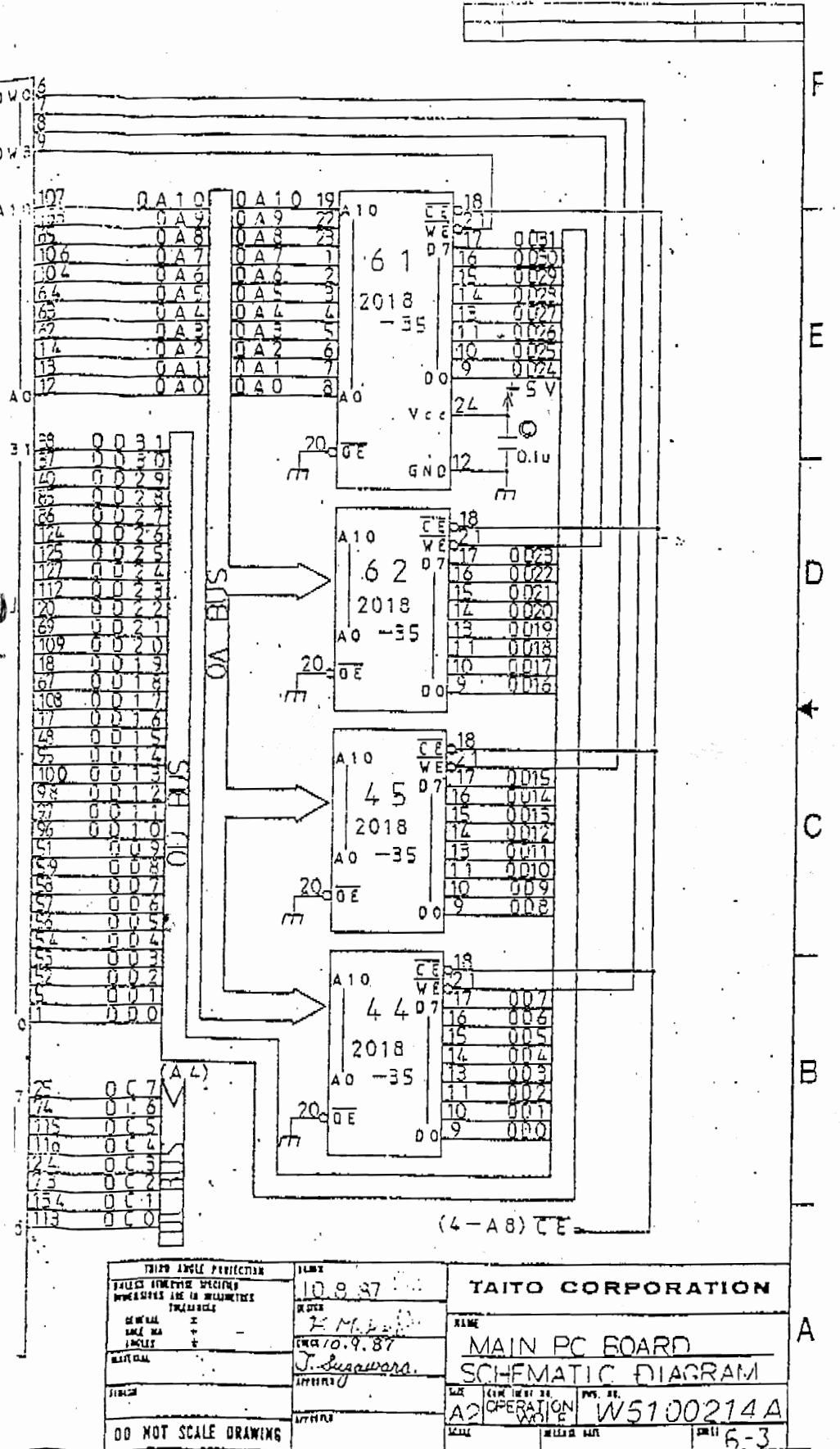
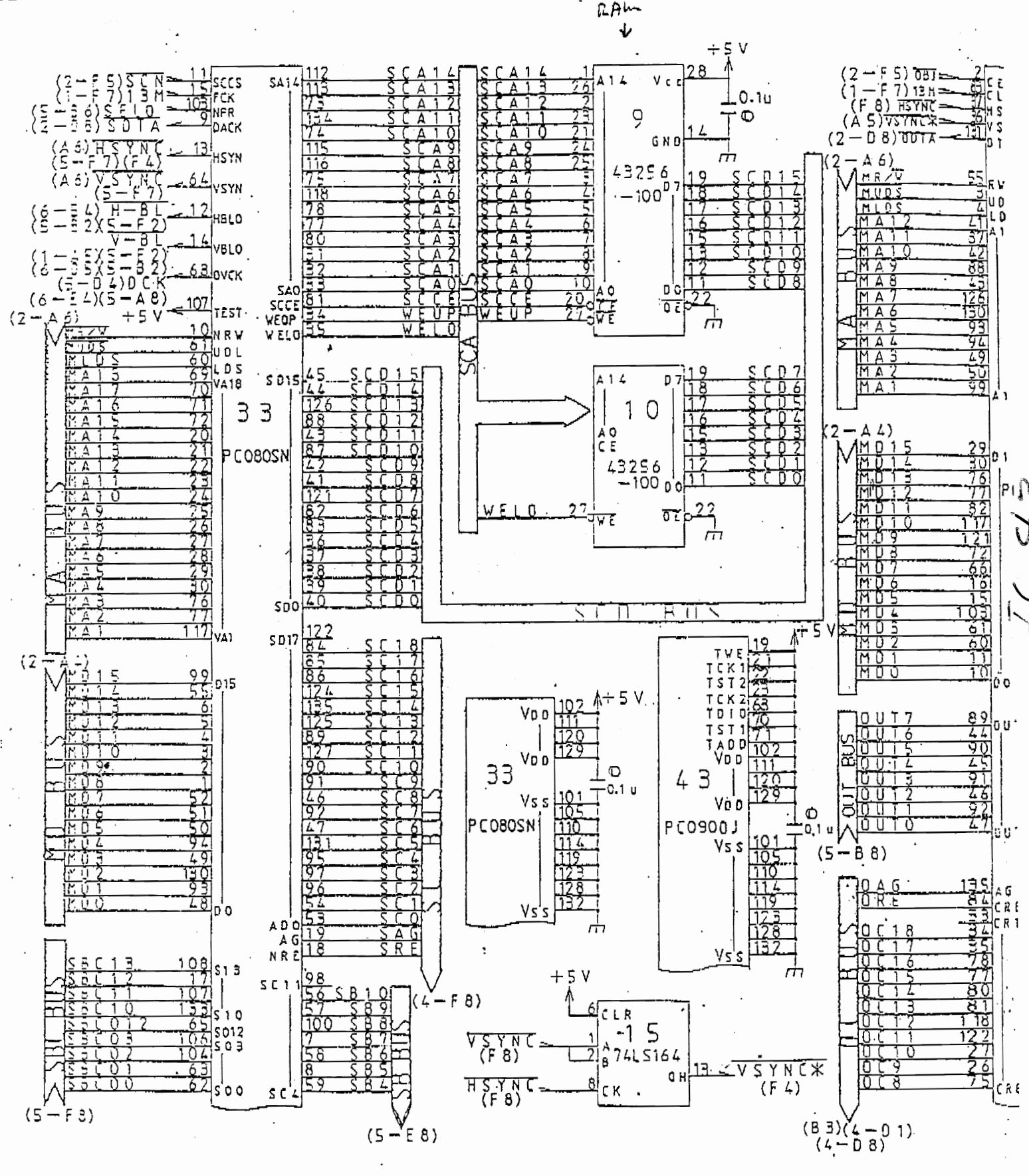
TAKEN ANGLE PROJECTION		DATE	NAME
UNLESS OTHERWISE SPECIFIED DIMENSIONS ARE IN MILLIMETERS		10.20.87	TAITO CORPORATION
TOLERANCES		BY: <i>B. M. K.</i>	NAME: SOUND PC BOARD
GENERAL: ±		DATE: 10.21.87	SCHMATIC DIAGRAM
DIM: ±		APPROVED: <i>J. Sugawara</i>	SIZE: A2
HOLE DIA: ±		OPERATION: <i>W5100215A</i>	SCALE: 1:1
HOLE LOC: ±		REVISION: 4-3	



TOSHIBA ELECTRONIC COMPONENTS CORPORATION		DATE: 10.8.87		TATTO CORPORATION	
DRAWING NO. W5100214A		DESIGNER: [Signature]		NAME: MAIN PC BOARD	
CHECKED: [Signature]		DATE: 10.9.87		SCHEMATIC DIAGRAM	
APPROVED: [Signature]		SCALE: 1:1		OPERATION: W5100214A	
DO NOT SCALE DRAWING		SHEET: 6-1		PAGE: 6-1	

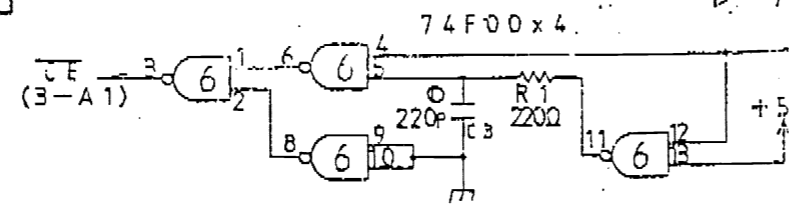
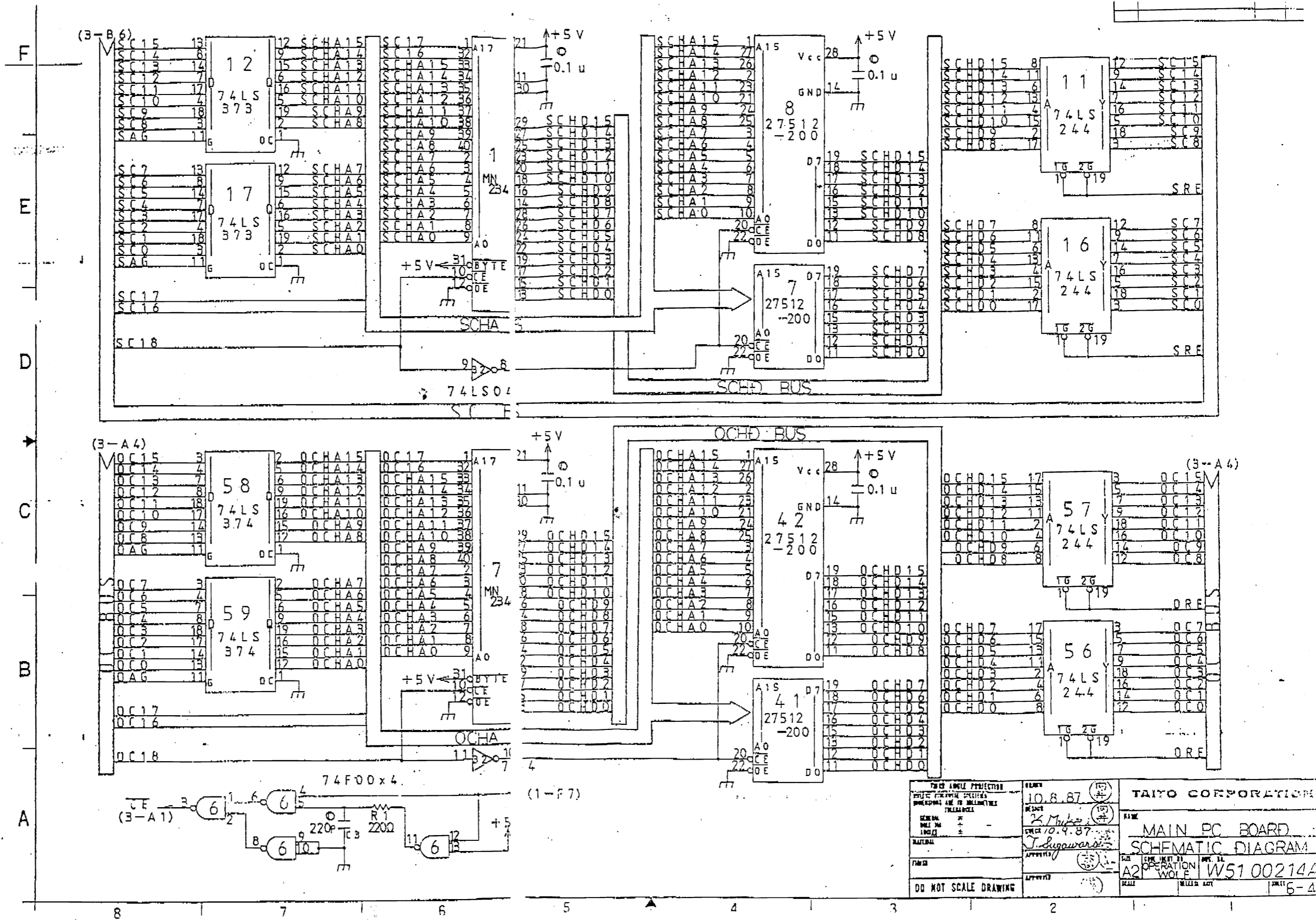




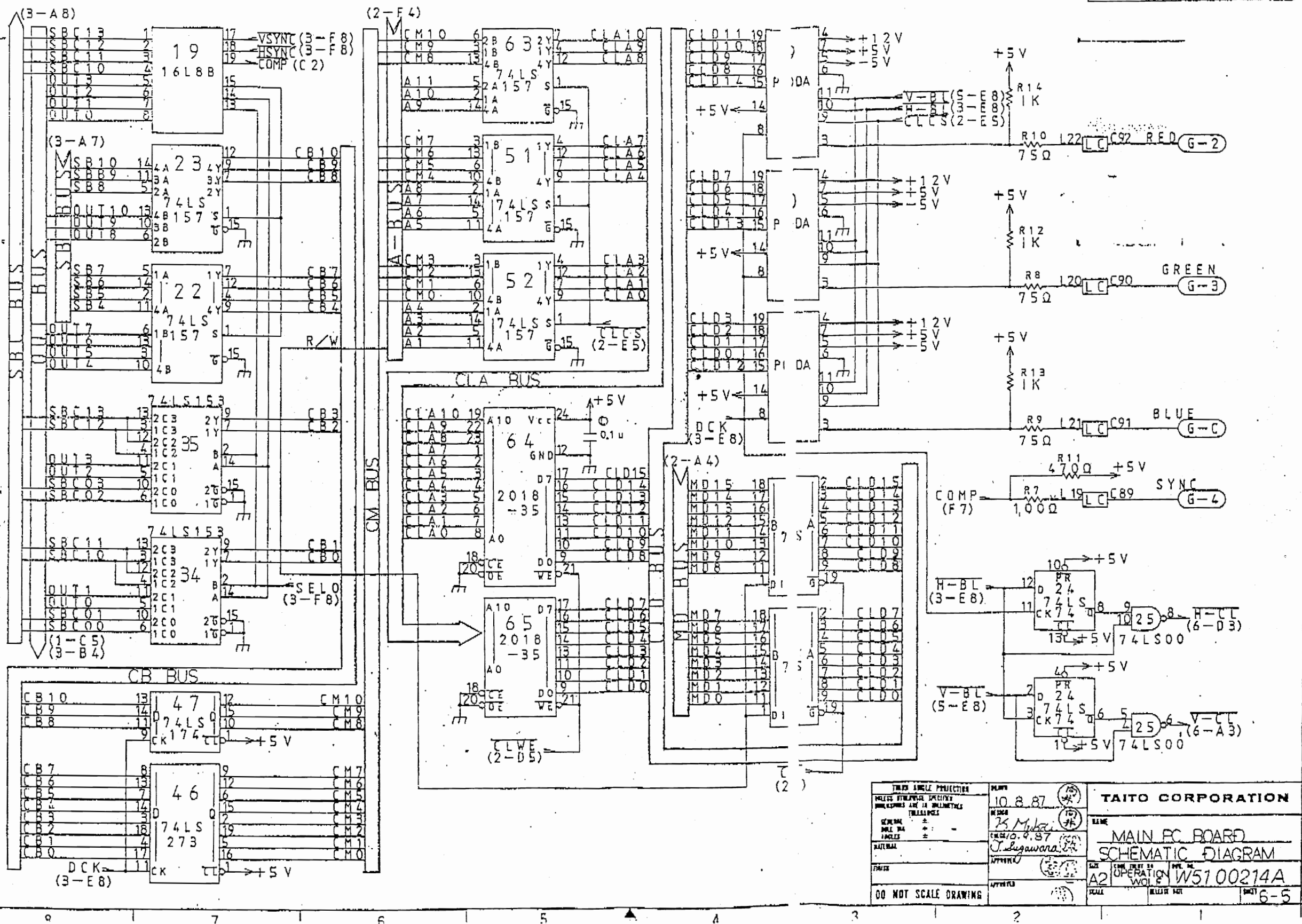


THIRD ANGLE PROJECTION	DATE
DRAWN	10.9.87
CHECKED	
APPROVED	
DO NOT SCALE DRAWING	

TAITO CORPORATION	
NAME	
MAIN PC BOARD	
SCHEMATIC DIAGRAM	
DATE	10.9.87
OPERATION	W5100214A
SCALE	1:1

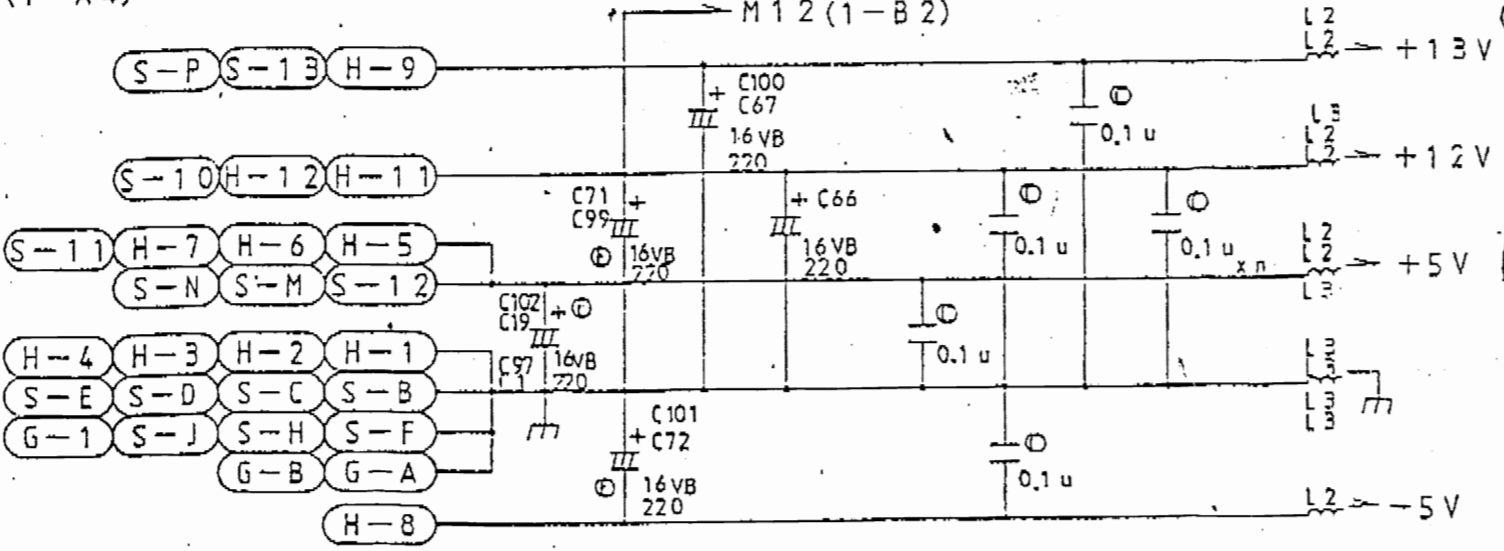
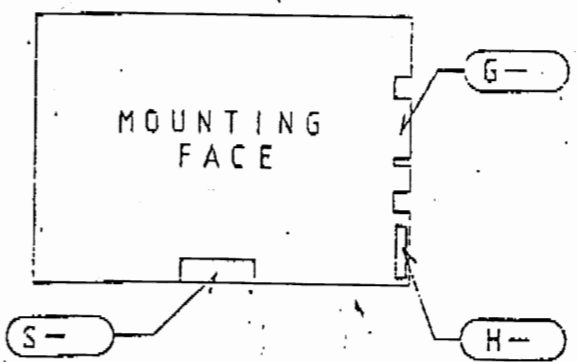
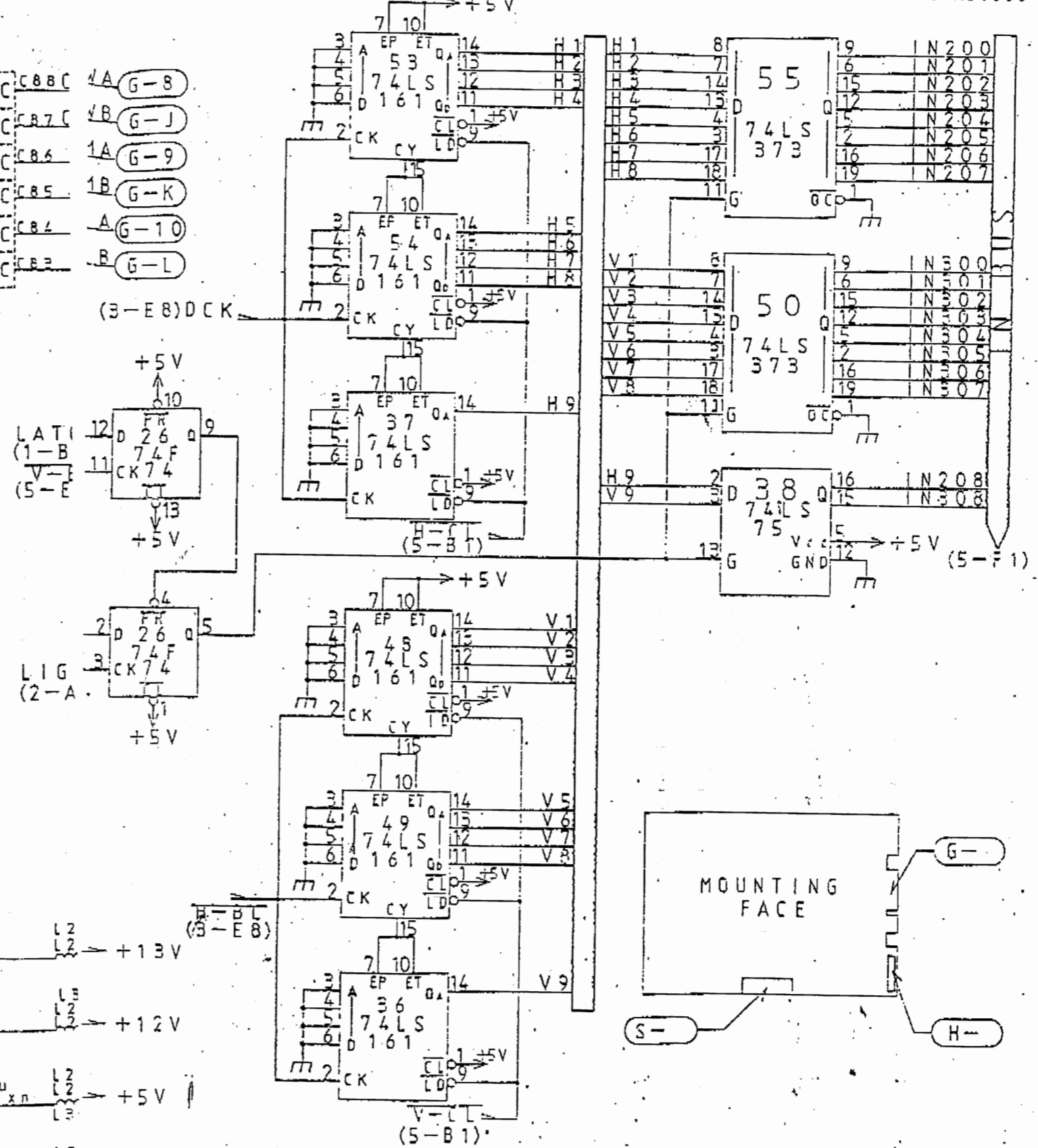
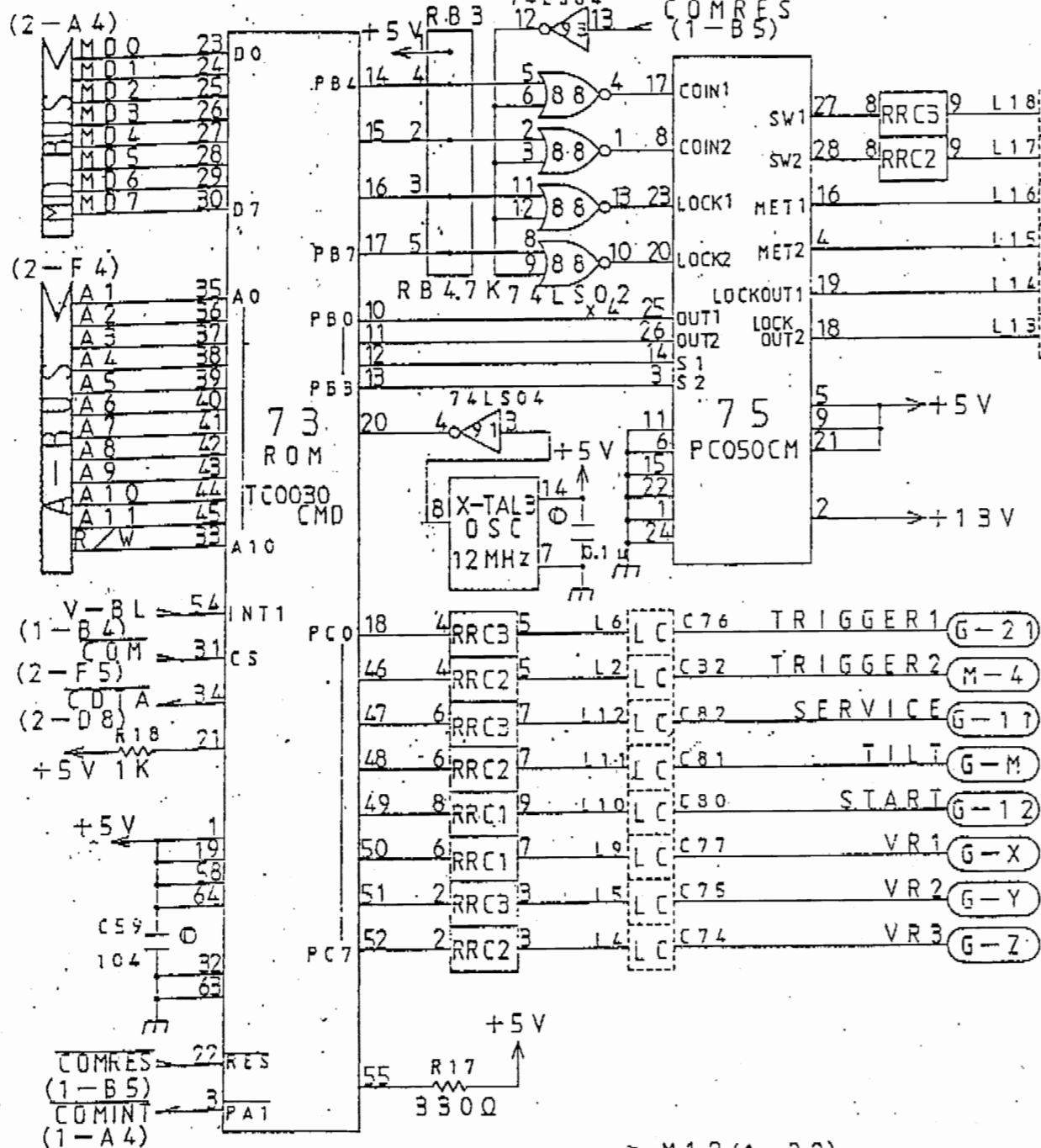


DATE	10.8.87	DESIGNER	K. Mukherjee
GENERAL	+	APPROVED	T. Sengupta
SCALE	1:1	DATE	10.9.87
MATERIAL		OPERATION	WOLF
DO NOT SCALE DRAWING		W5100214A	6-4



THREE ANGLE PROJECTION UNLESS OTHERWISE SPECIFIED DIMENSIONS ARE IN MILLIMETERS DECIMALS GENERAL HOLE DIA TOLERANCES NATIONAL FINISH DO NOT SCALE DRAWING	DATE 10.8.87 DRAWN BY T. Sugawara CHECKED BY T. Sugawara APPROVED APPROVED	<b>TAITO CORPORATION</b> NAME <b>MAIN PC BOARD</b> <b>SCHEMATIC DIAGRAM</b> SIZE A2 OPERATION WOL 5100214A SCALE SHEET NO. 6-5
--	---	--





THIRD ANGLE PROJECTION	DATE	TAITO CORPORATION
DRAWN OTHERWISE SPECIFIED	10.8.87	NAME
DIMENSIONS ARE IN MILLIMETRES	DESIGN	MAIN PC BOARD
TOLERANCES	DRW	SCHMATIC DIAGRAM
GENERAL ±	K.M. Jari	SIZE
ANGLE DIA ±	CHECK 10.9.87	OPERATION
ANGLE ±	J. Suwara	W5100214A
MATERIAL	APPROVED	SCALE
FINISH	APPROVED	6-6'
DO NOT SCALE DRAWING		