

NAMCO®

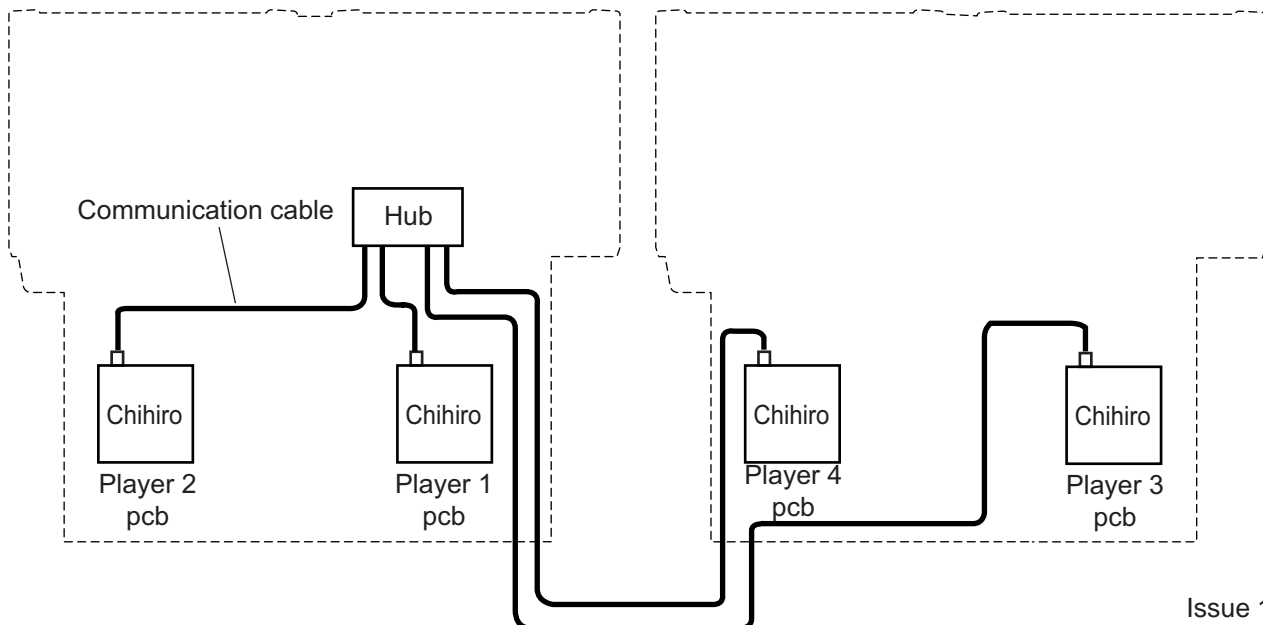
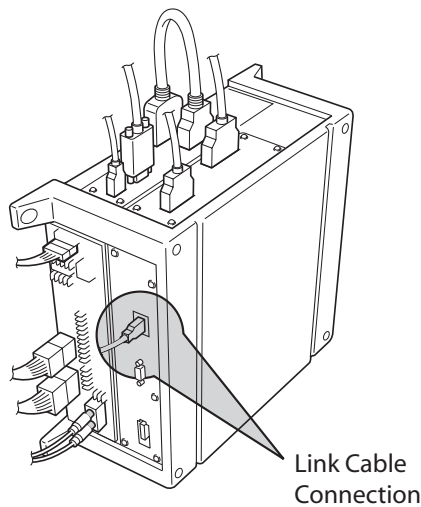
MAXIMUM TUNE 2 LINK KIT

Kit Contents:

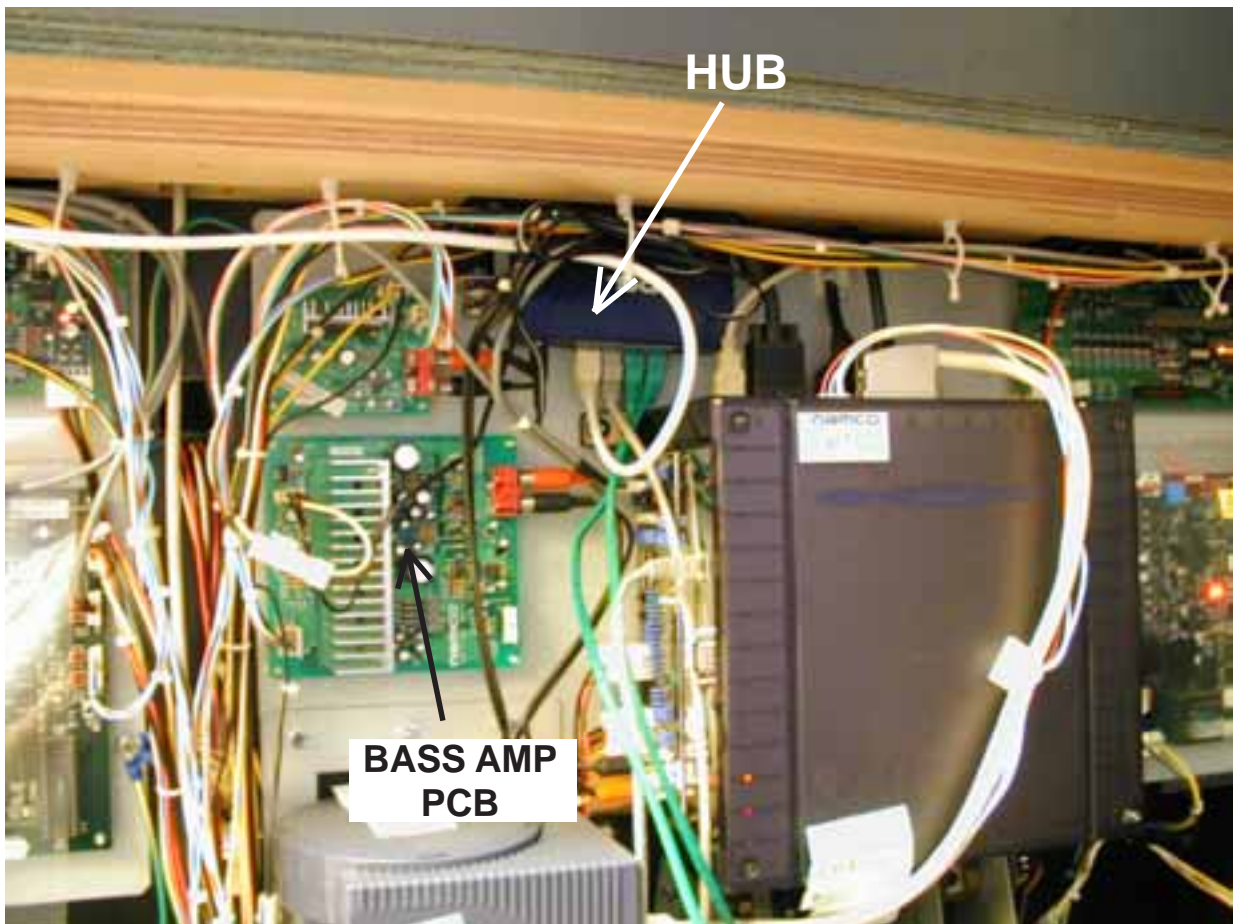
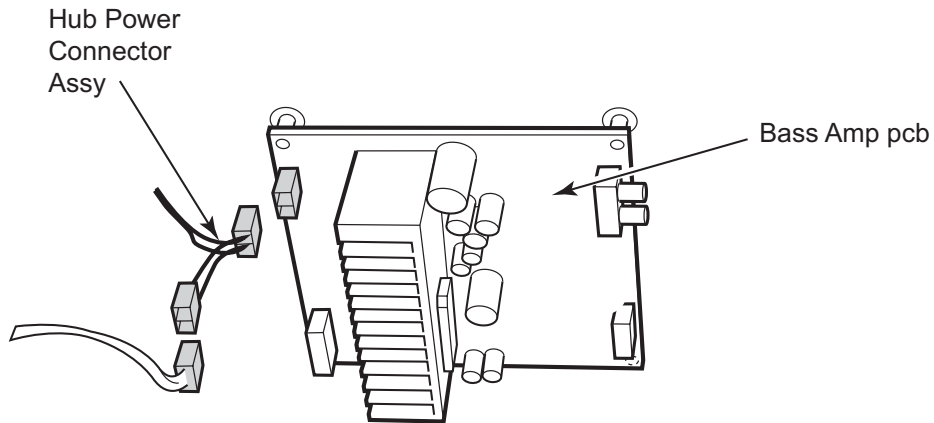
Switching Hub 1
Link Cable 2

Ensure that the game is functioning correctly before fitting the Link Kit.

1. Disconnect the existing link cable from the Player 2 Game pcb and reconnect to the Switching Hub.
2. Remove the existing Link cable from the second cabinet and connect it between the Player 2 Game pcb and the Switching Hub.
3. Fit the new Link cables between Player 3 Game pcb and the Switching Hub, and Player 4 Game pcb and the Switching Hub.



4. Disconnect the 2way connector from the Bass Amp pcb and connect the Hub Power Connector Assy.
5. Reconnect the 2way connector to the Power Hub Connector Assy



6. Enter the Test mode (Game Options) and **ensure that the Game PCB ID's are set to 1~4**