



MARVIN'S MAZE
CONVERSION KIT
INSTRUCTION
MANUAL

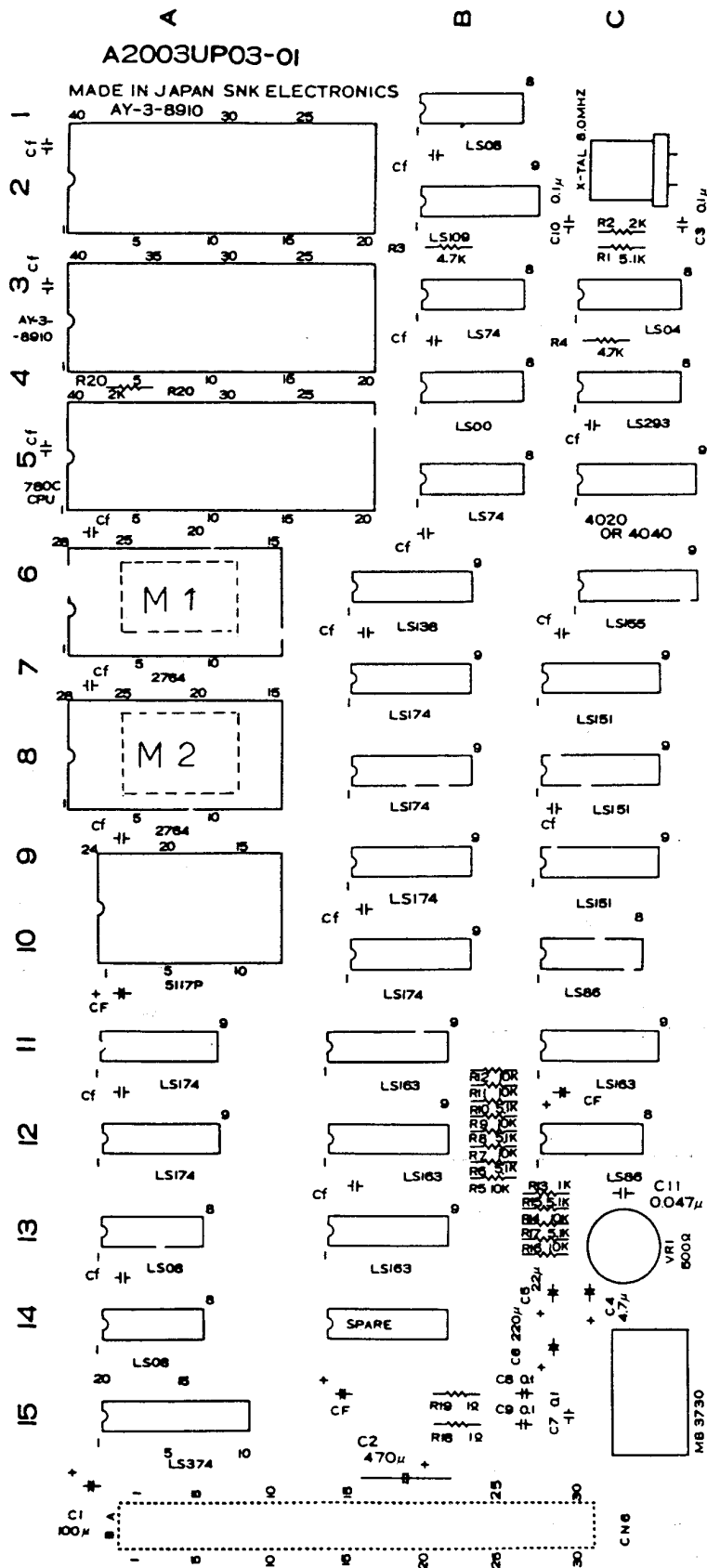
SNK ELECTRONICS CORP.

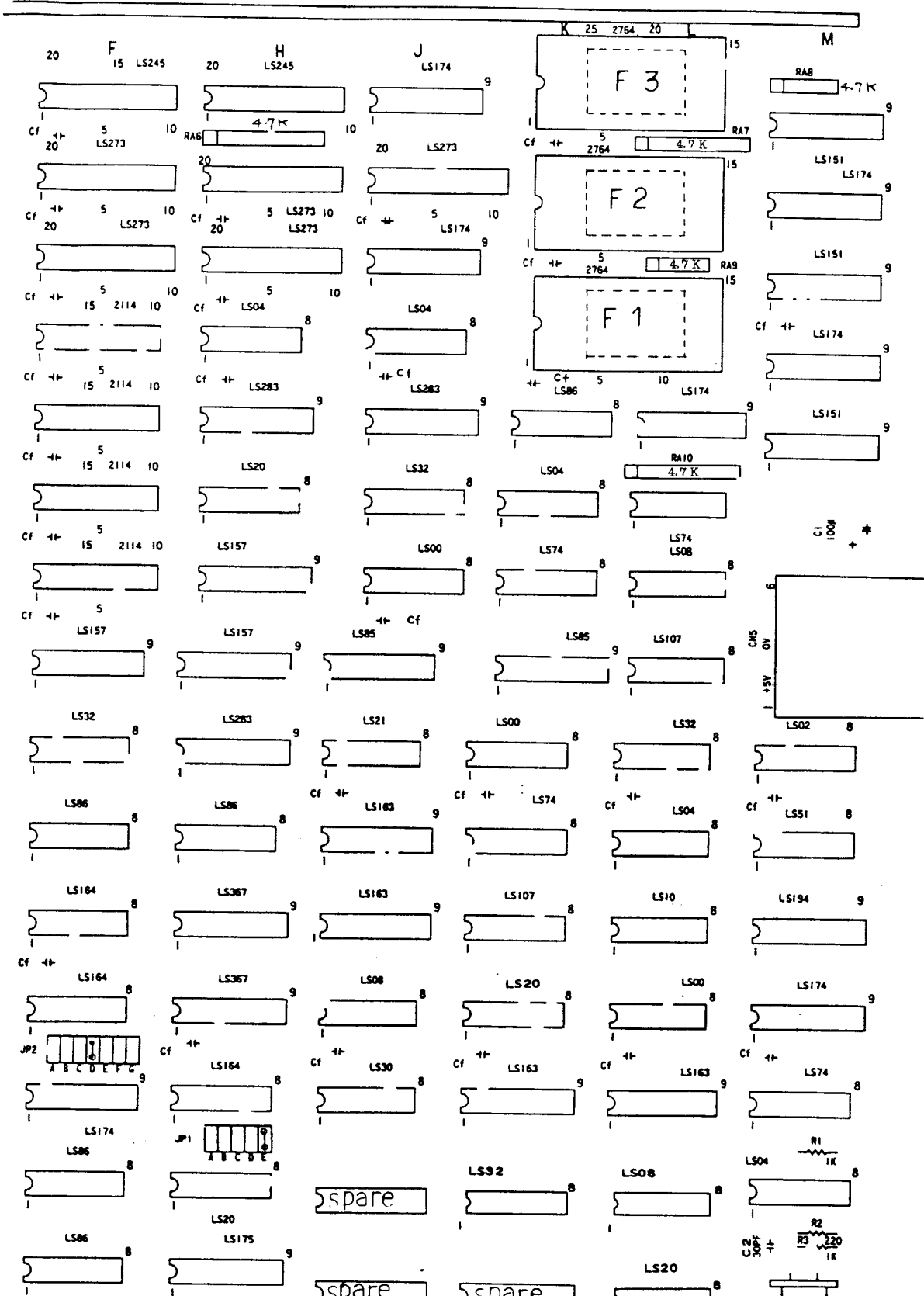
3043 KASHIWA STREET,
TORRANCE, CALIF. 90505

Phone: (213) 539-2744

TLX: 182426 SNK CORP.

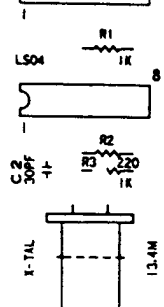
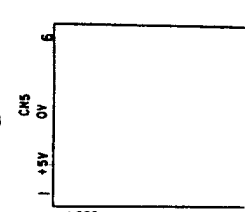
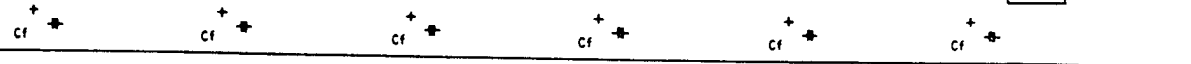
PARTS LAYOUT & NUMBER OF ROM



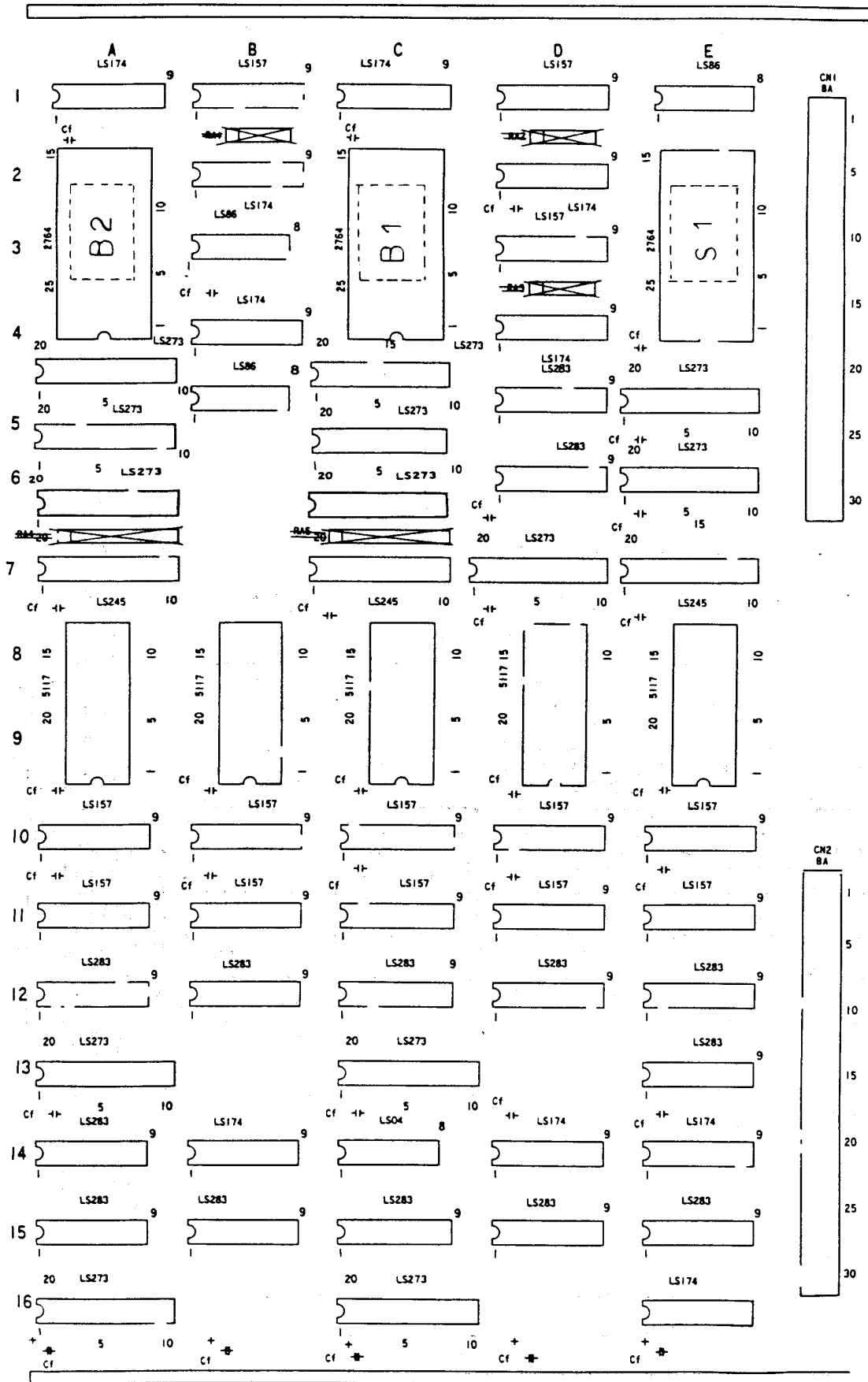


MADE IN JAPAN
SNK ELECTRONICS

A2003 UP01-04

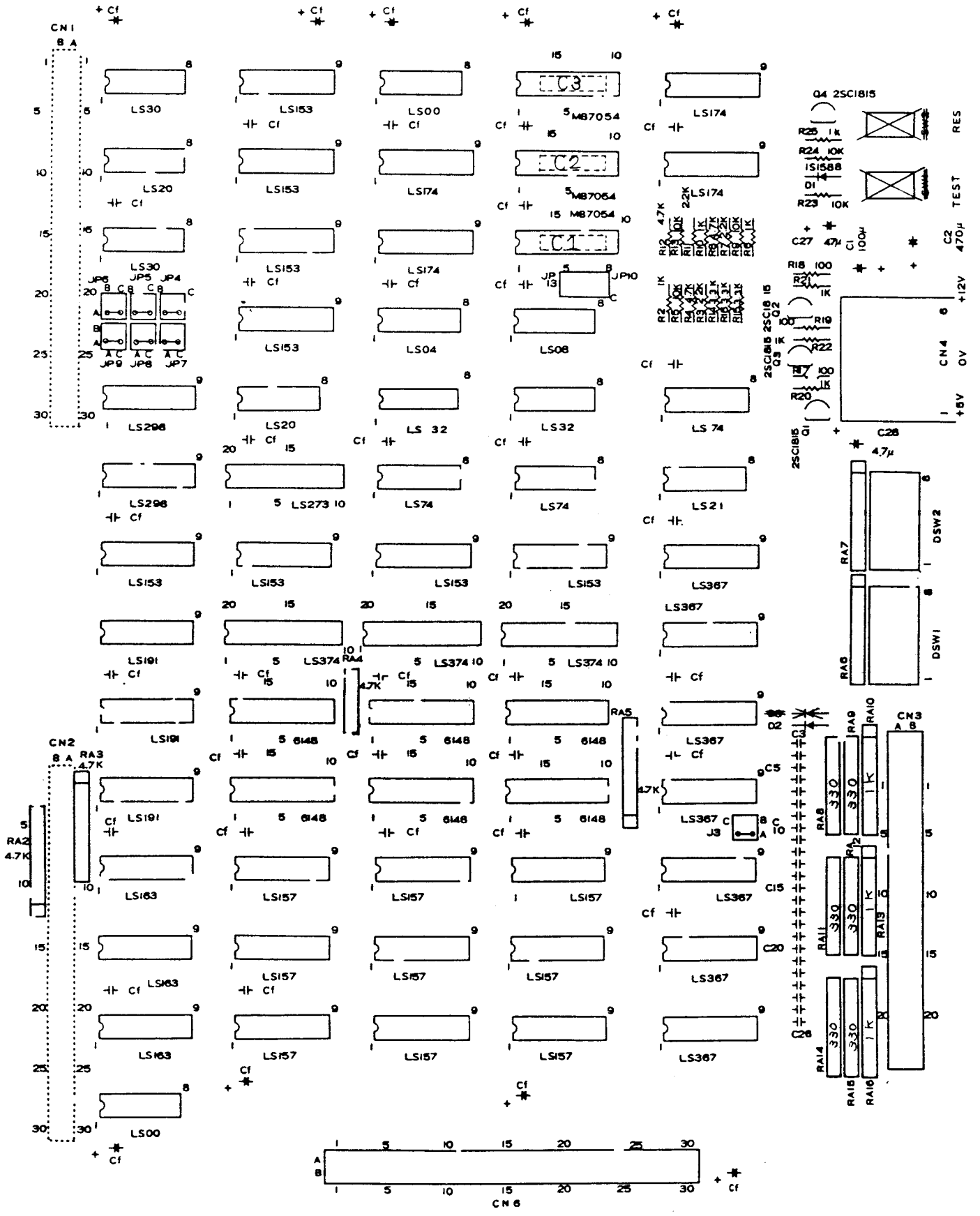


PARTS LAYOUT & NUMBER OF ROM

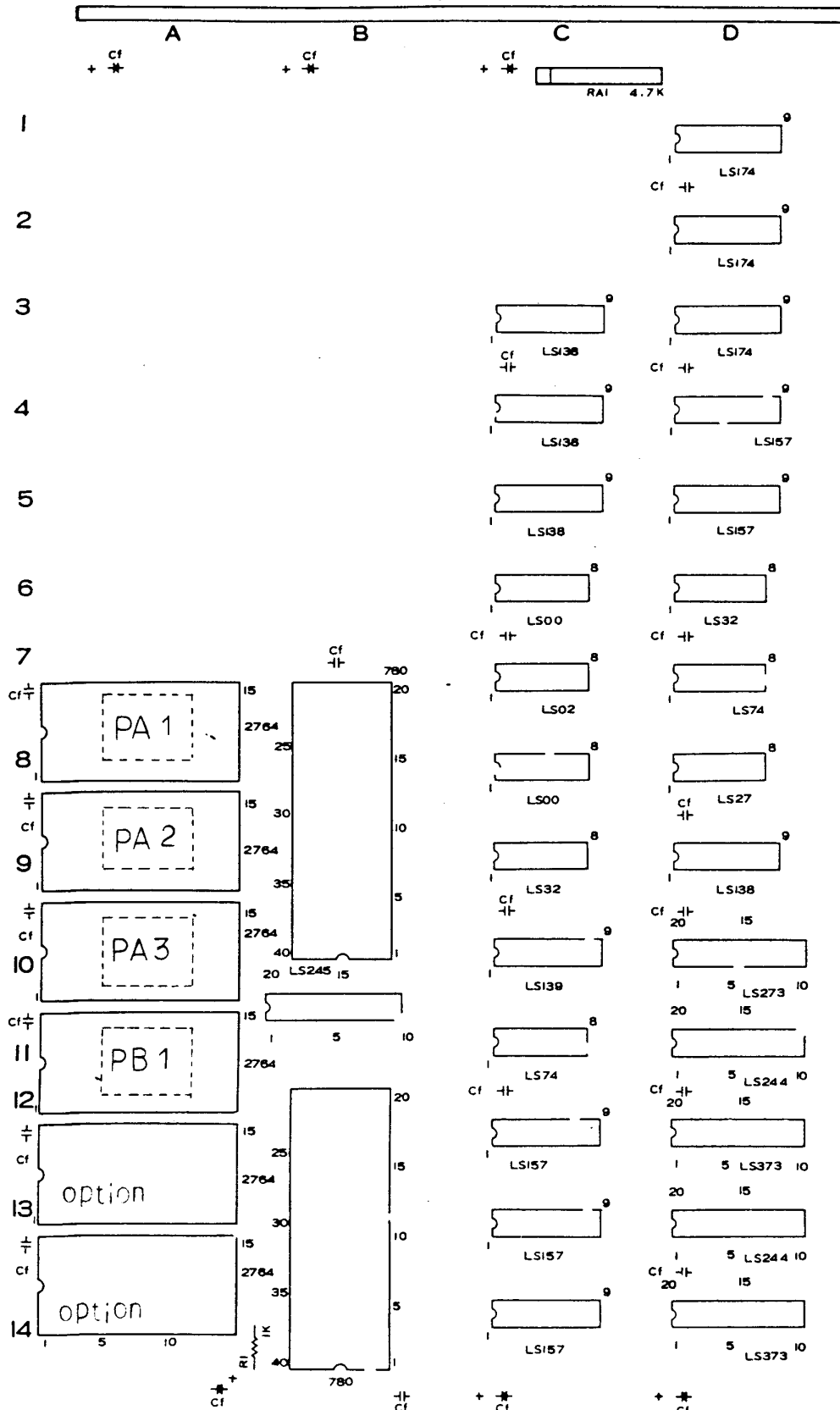


PARTS LAYOUT

E F H J K

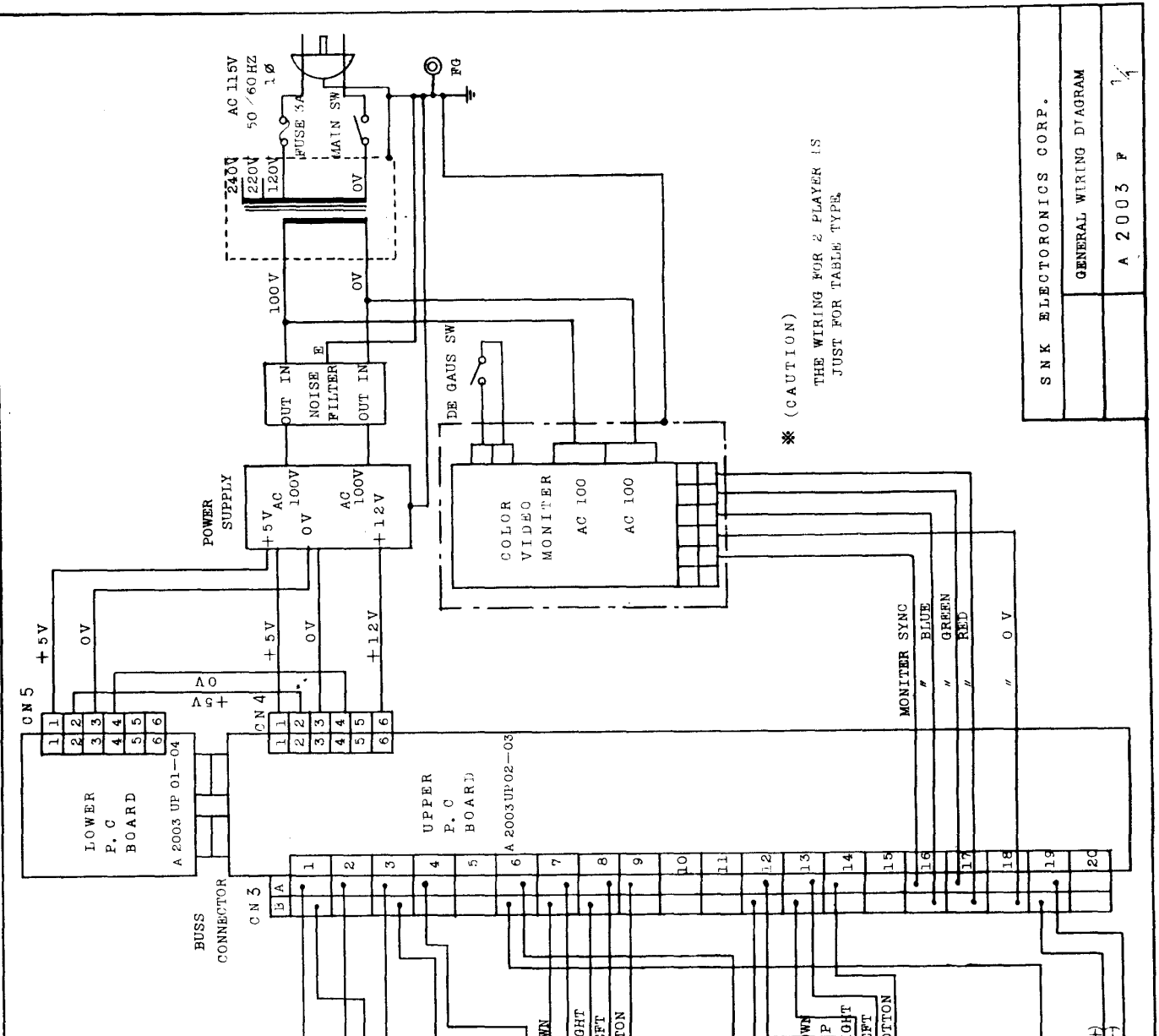
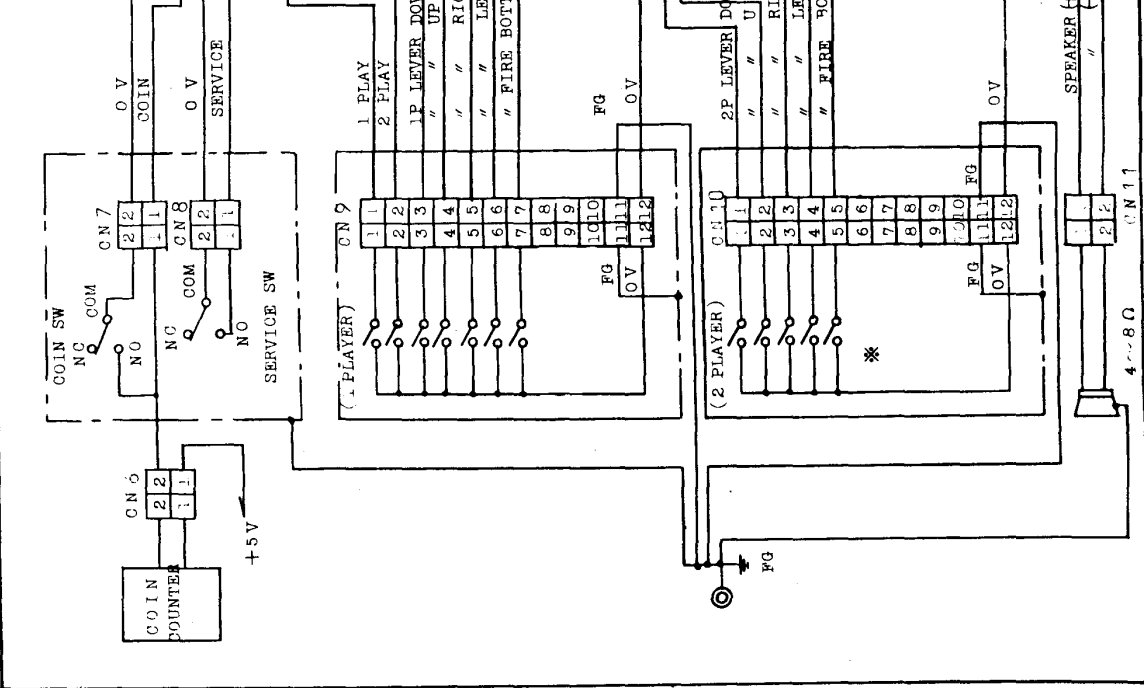
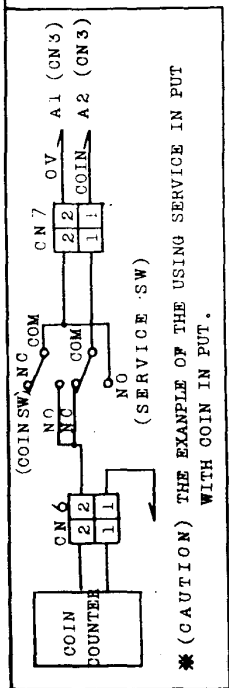


PARTS LAYOUT & NUMBER OF ROM



A2003UP02-03 MADE IN JAPAN SNK ELECTRONICS

PARTS LAYOUT



1 DC POWER SUPPLY CONNECTOR (VHR - 6N)

CN 4

PIN	SIGNAL	
1	+5V	RED
2	+5V	"
3	0V	BLACK
4	0V	"
5	NC	
6	+12V	YELLOW

CN 5

PIN	SIGNAL	
1	+5V	RED
2	+5V	"
3	0V	BLACK
4	0V	"
5	NC	
6	NC	

2 SIGNAL CONNECTOR (PS - D4C - 40 : JAE)

CN 3

PIN	SIGNAL		PIN	SIGNAL	
A 1	0V		B 1	0V	
2	COIN		2	NC	
3	SERVICE SW	NOTE 1	3	1 PLAYER SELECT	
4	2 PLAYER SELECT		4	NC	
5	NC		5	NC	
6	0V		6	0V	
7	1 PLAY UP		7	1 PLAY DOWN	
8	" LEFT		8	" RIGHT	
9	" FIRE		9	" PUSH 2	NOTE 3
10	NC		10	NC	
11	NC		11	NC	
12	2 PLAY UP	NOTE 2	12	2 PLAY DOWN	NOTE 2
13	" LEFT	"	13	" RIGHT	"
14	" FIRE	"	14	" PUSH 2	NOTE 3
15	NC		15	NC	
16	VIDEO SYNC		16	VIDEO BLUE	
17	" GREEN		17	" RED	
18	NC		18	" 0V	
19	SPEAKER (-)		19	SPEAKER (+)	
20	NC		20	NC	

(NOTE 1) COIN INPUT CAN BE USED FOR SERVICE INPUT.
REFER TO WIRING DIAGRAM (A2003F).

(NOTE 2) THE WIRING FOR 2-PLAYER IS JUST FOR TABLE-TYPE.

(NOTE 3) 1 PLAY PUSH 2 _____ EXTRA FOR THE FUTURE GAMES.
2 PLAY PUSH 2

(NOTE 4) DO NOT USE EMPTY PINS.

(NOTE 5) THE SPECIFICATION ON COIN COUNTER IS +5V POWER USED ONLY.
THE CALCULATING SPEED 600 COUNTS/M. (duty 50%)

APPR

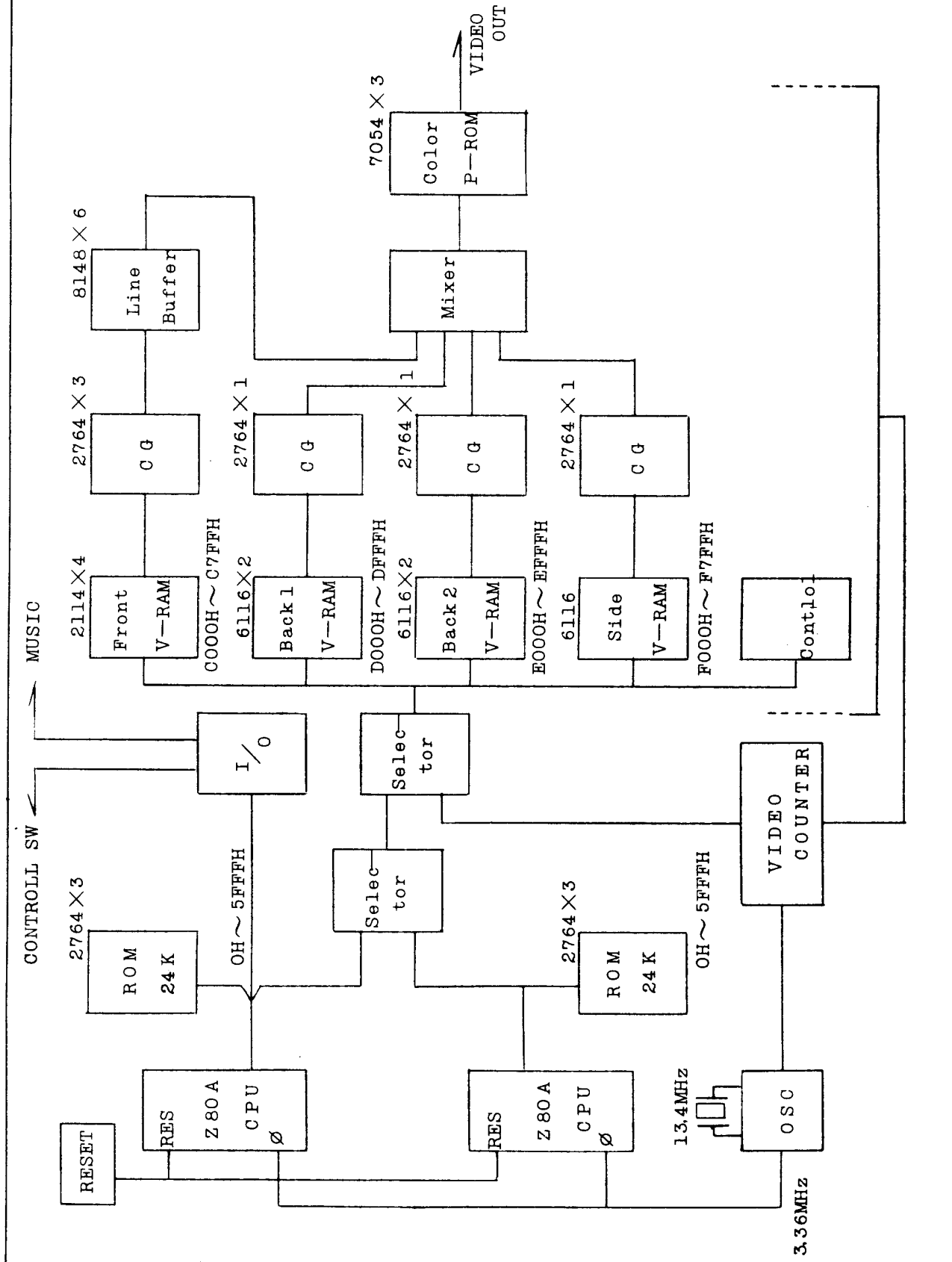
CHECK

ORG

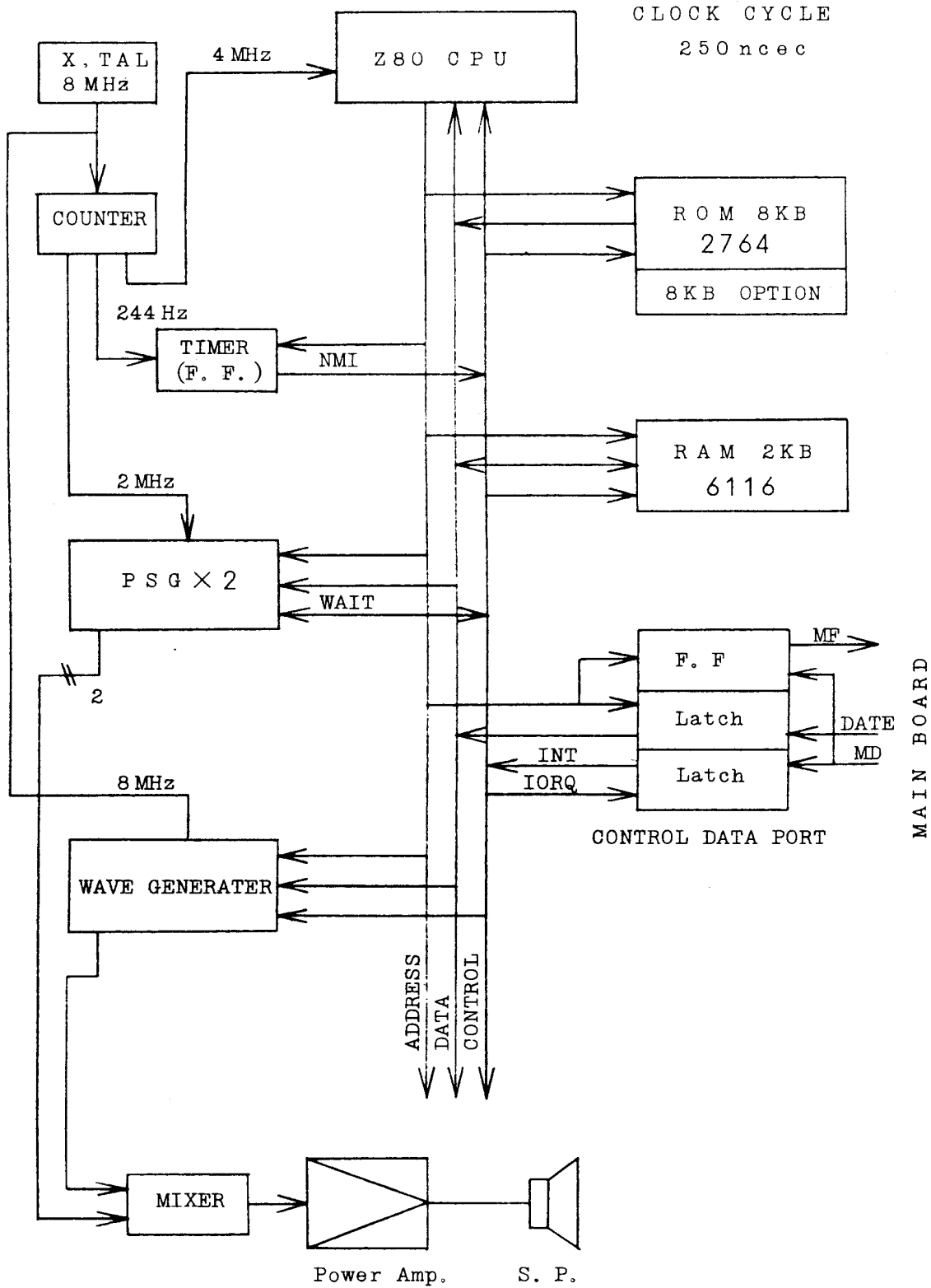
SNK ELECTRONICS

No.

BLOCK DIAGRAM - MAIN BOARD



BLOCK DIAGRAM—SOUND BOARD

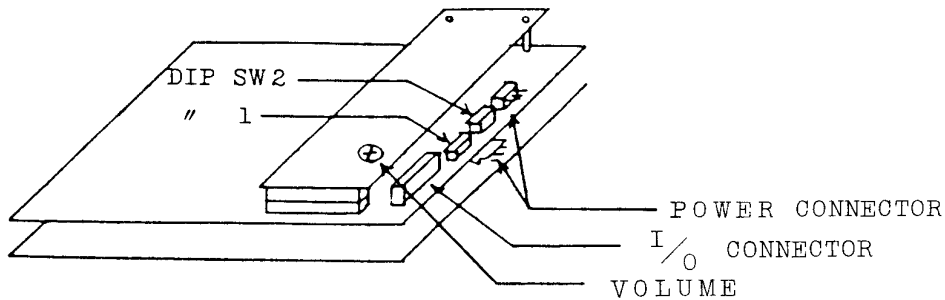


APPR . . . H. N
 CHECK . . .
 ORG. . . . K

SNK ELECTRONICS

No BLOCK DIAGRAM(1) /

1 INSTRUCTION ON MAIN P. C. BOARD



2 DIP SW SETTINGS

2-1 DIP SW 1

SW No	8	7	6	5	4	3	2	1
NUMBER OF PLAY 1						OFF	ON	ON
" 2						OFF	ON	OFF
" 3						OFF	OFF	ON
" 5						OFF	OFF	OFF
PLAY CAN BE CONTINUED						ON		
COIN/PLAY 1/1		OFF	ON	ON	ON			
" 1/2		OFF	ON	ON	OFF			
" 1/3		OFF	ON	OFF	ON			
" 1/5		OFF	ON	OFF	OFF			
" 1/6		OFF	OFF	ON	ON			
" 2/1		OFF	OFF	ON	OFF			
" 3/1		OFF	OFF	OFF	ON			
" 5/1		OFF	OFF	OFF	OFF			
FREE PLAY		ON						
SCREEN STOP	ON							

2-2 DIP SW 2

SW No	8	7	6	5	4	3	2	1
1st BONUS 10000						ON	ON	ON
" 20000						ON	ON	OFF
" 30000						ON	OFF	ON
" 40000						ON	OFF	OFF
" 50000						OFF	ON	ON
" 60000						OFF	ON	OFF
" 70000						OFF	OFF	ON
" 80000						OFF	OFF	OFF
2nd BONUS NO USED				ON	ON			
" +1st BONUS				ON	OFF			
" +1stx2				OFF	ON			
" +1stx3				OFF	OFF			
MUSIC IN ATTRACT MODE			OFF					
TABLE		OFF						
SWITCH THE SCREEN	OFF							

THE EXAMPLE OF 2ND BONUS :

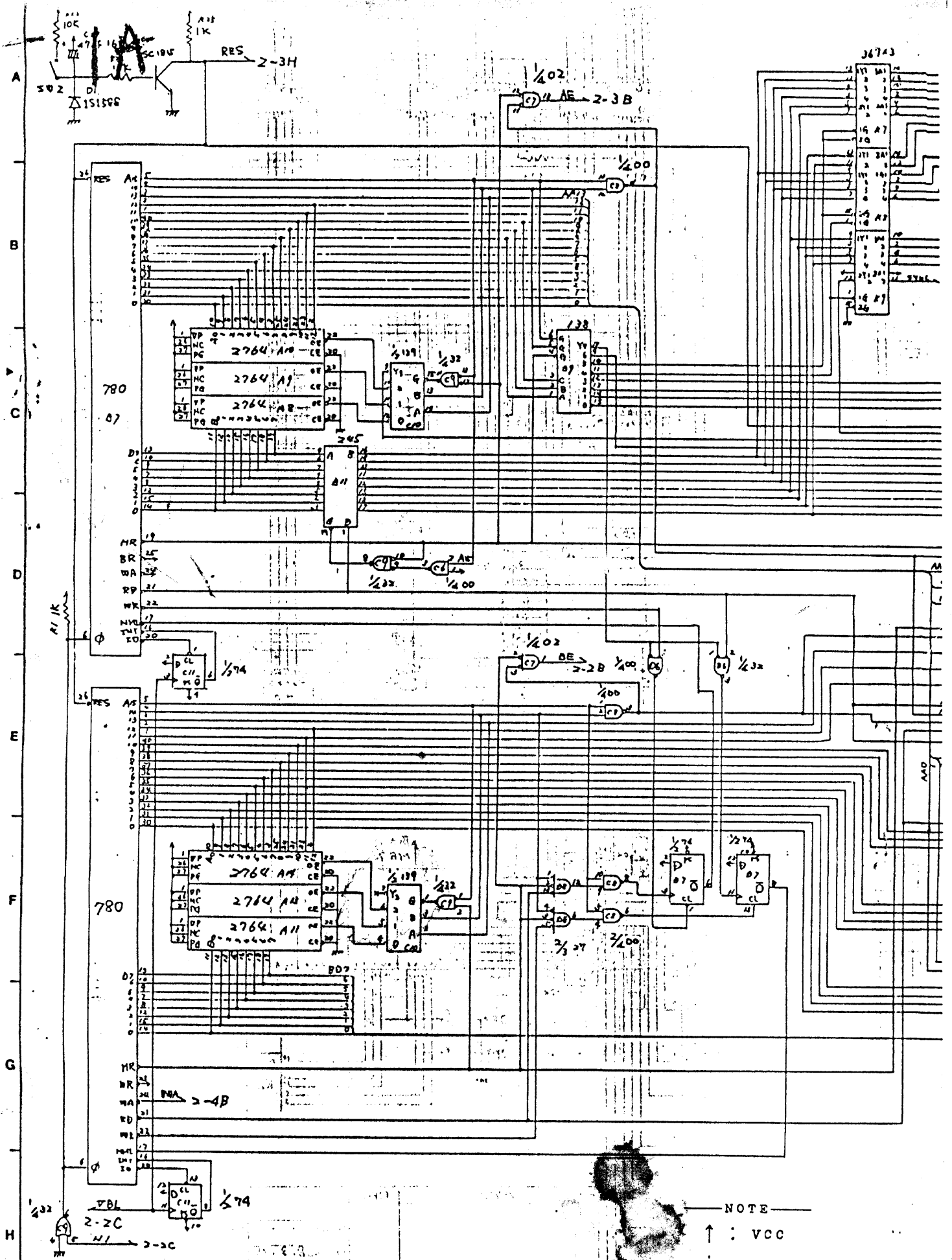
$$1st\ BONUS = 30000 \quad 2nd\ BONUS = 1st \times 2$$

$$2nd\ BONUS\ POINT = 1st + 1st \times 2$$

$$= 30000 + 30000 \times 2 = 90000$$

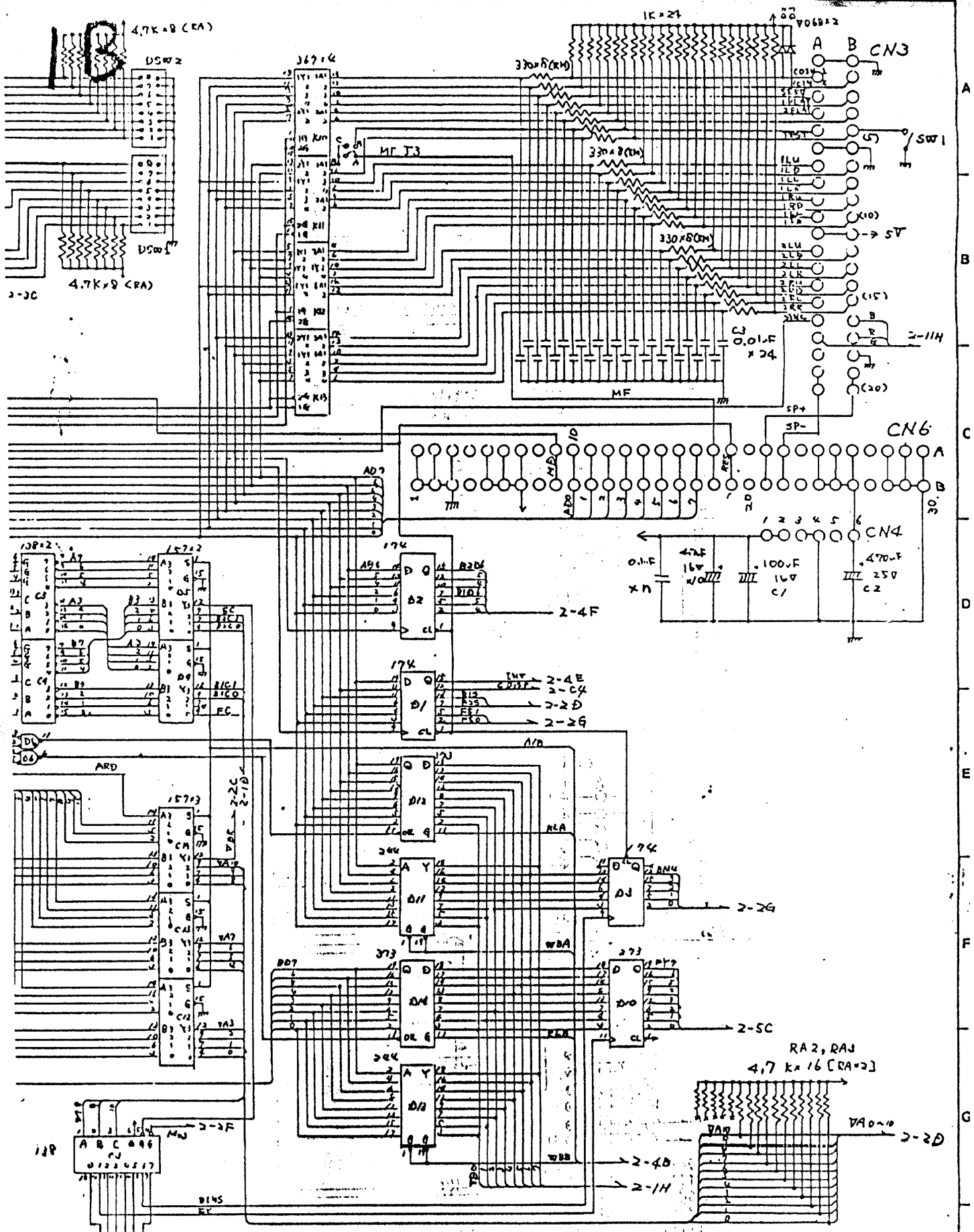
SWITCH THE SCREEN

WHEN THE DIRECTION OF PLAYER 1 IS INCORRECT, USE "ON".



NOTE

↑ : VCC



DATE	REVISION	ORG.	NAME
			MARVIN'S MAZE

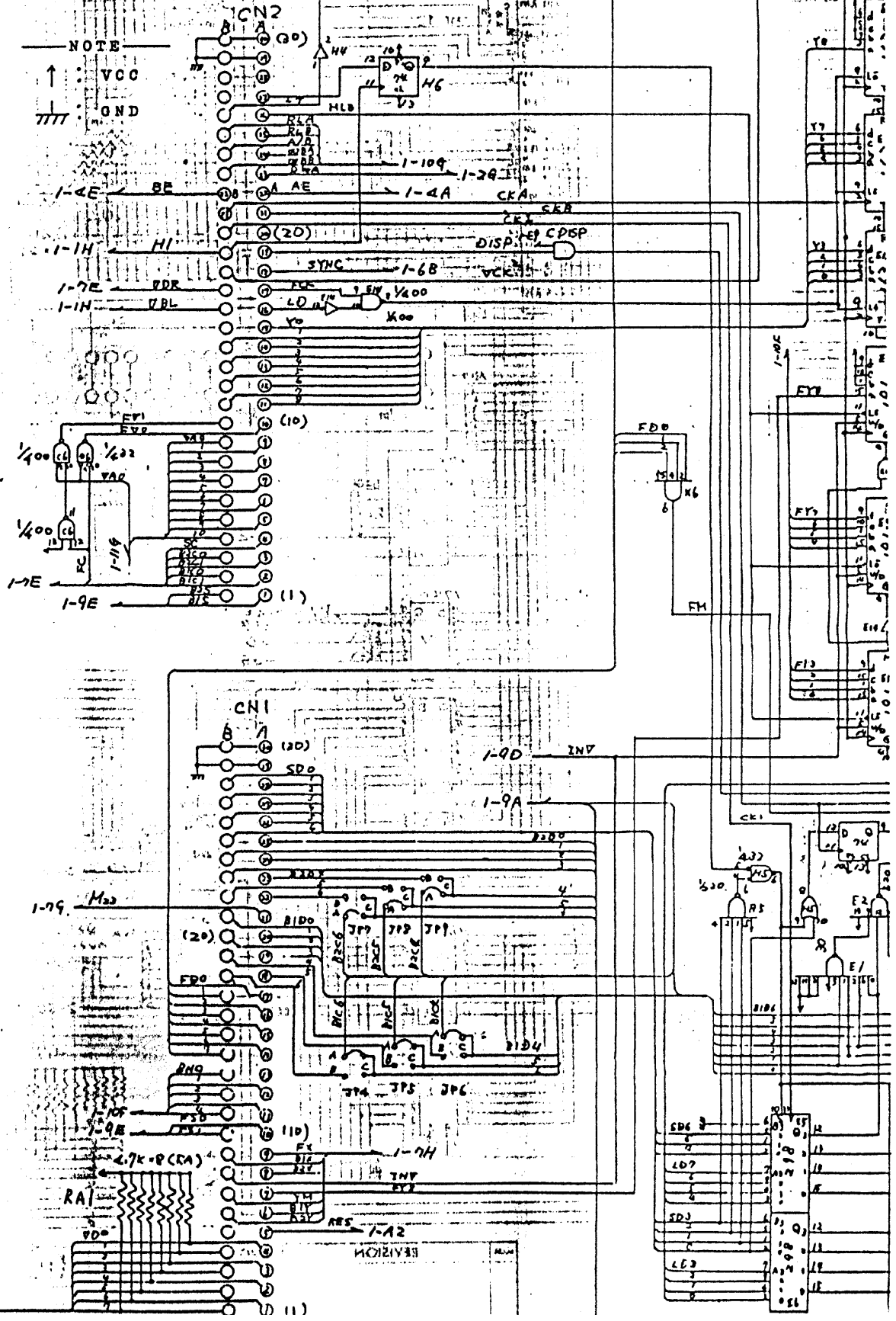
SNK ELECTRONICS

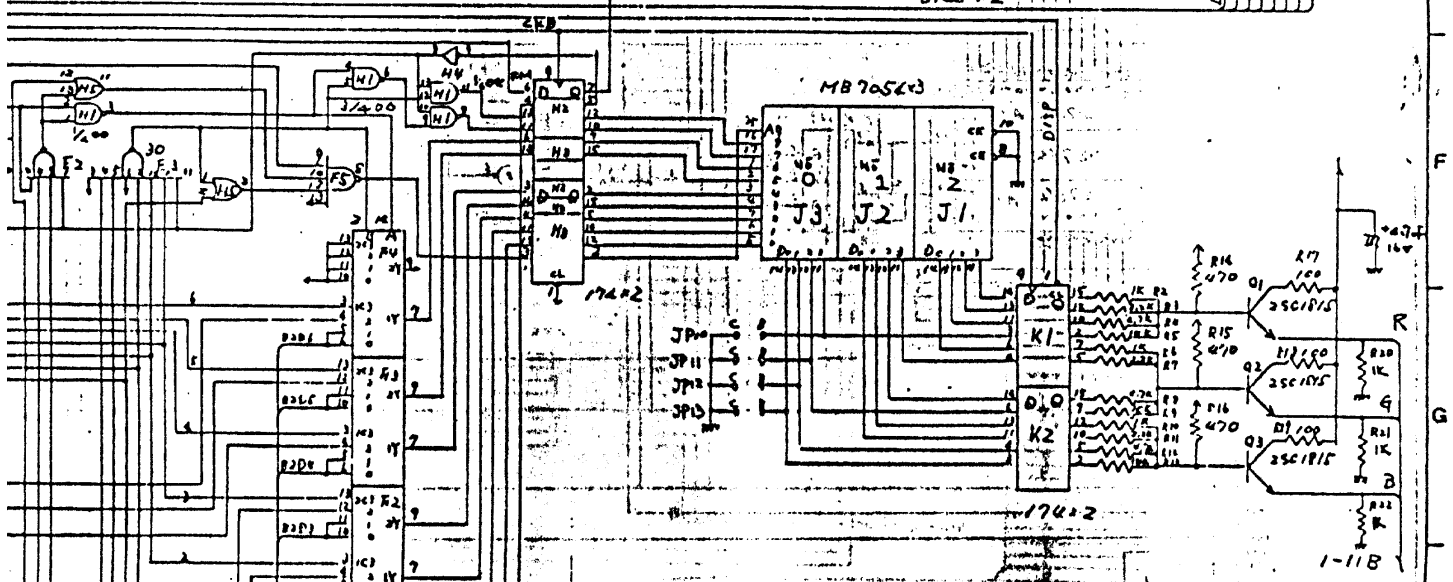
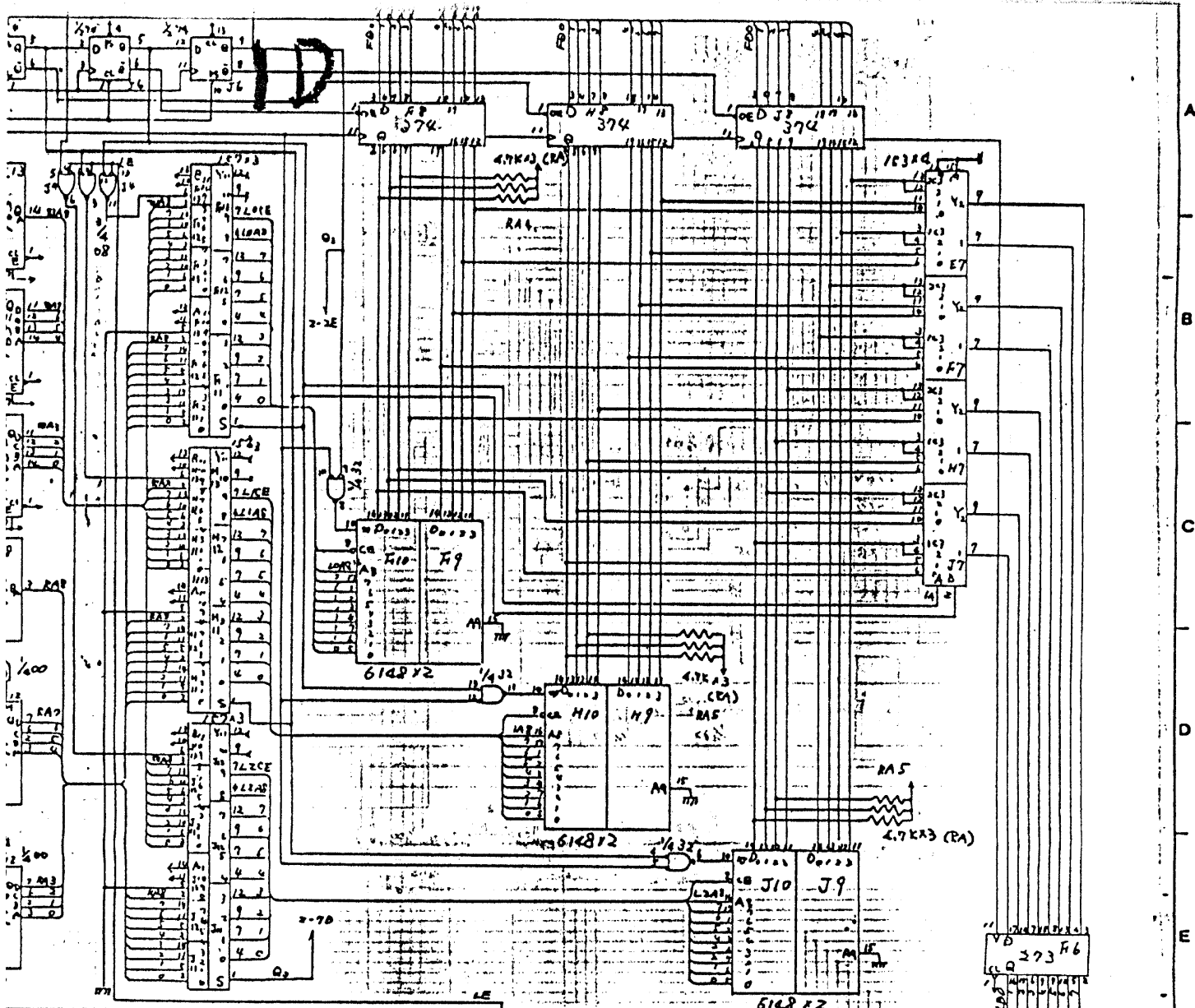
MARVIN'S MAZE

AC

A
B
C
D
E
F
G
H

NOTE
↑ VCC
TTTT GND

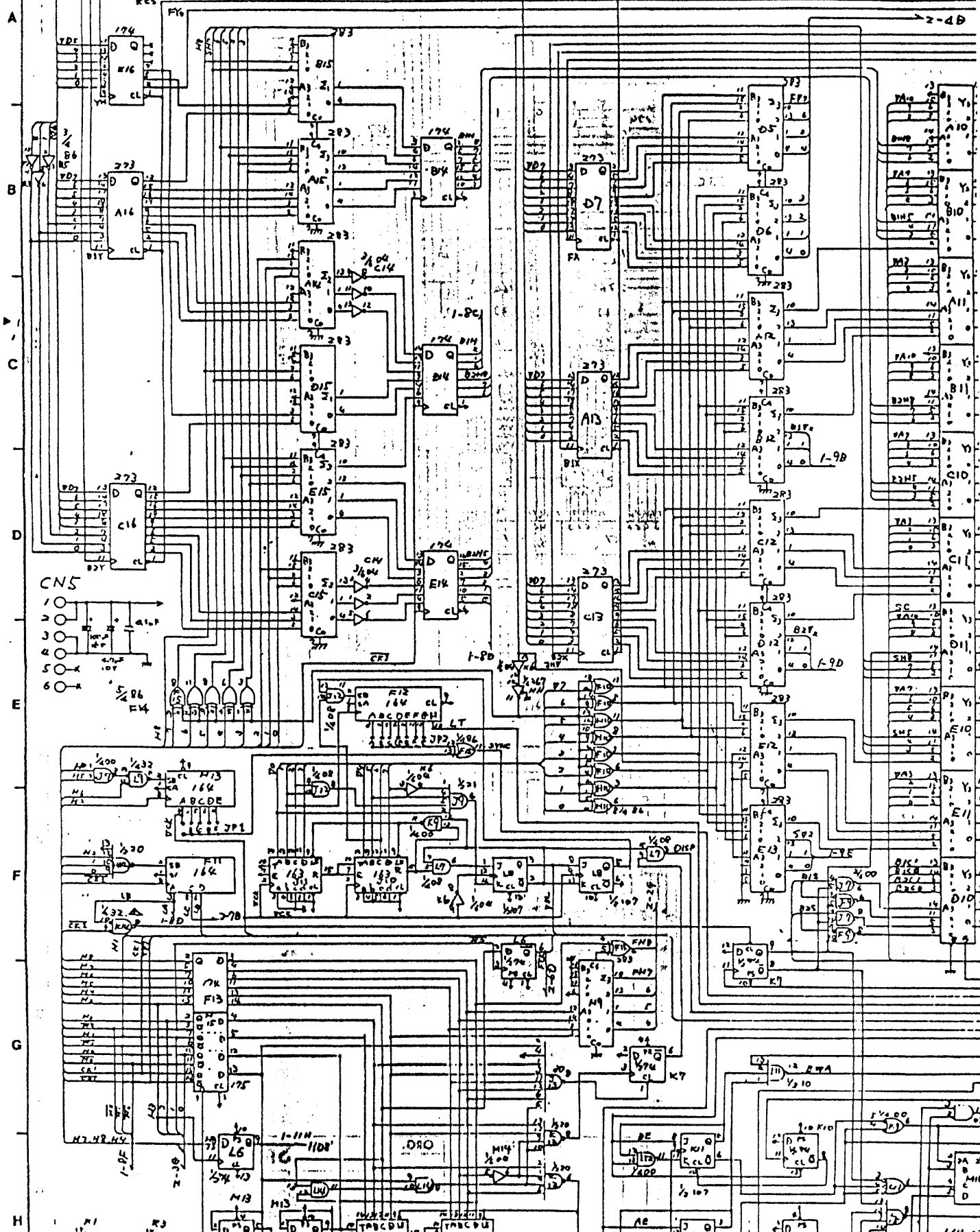




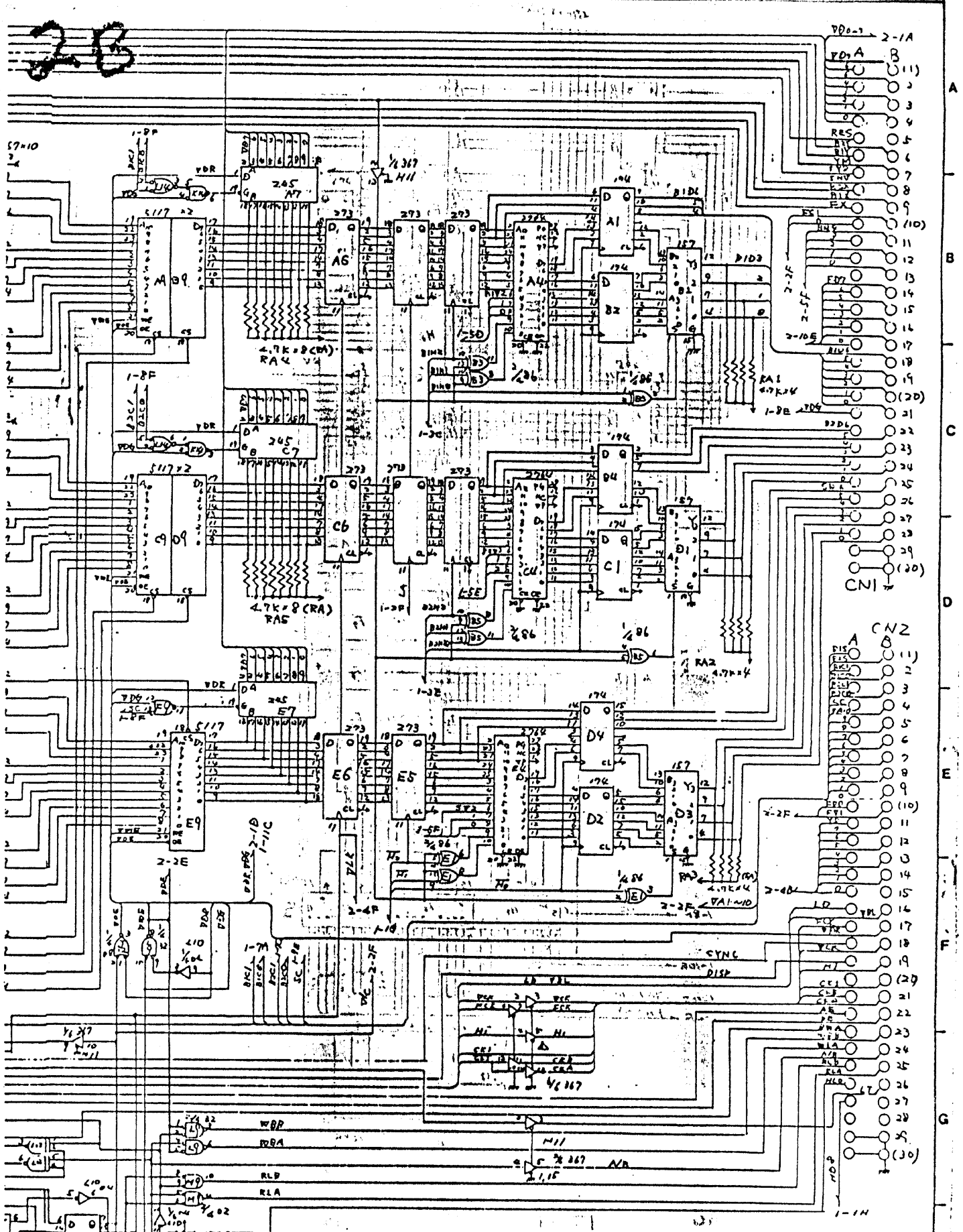
REV	REVISION	ORG.	
TRAC			
DRAWN	58.3.78	NAME	MARVIN'S MAZE

1-118

2A

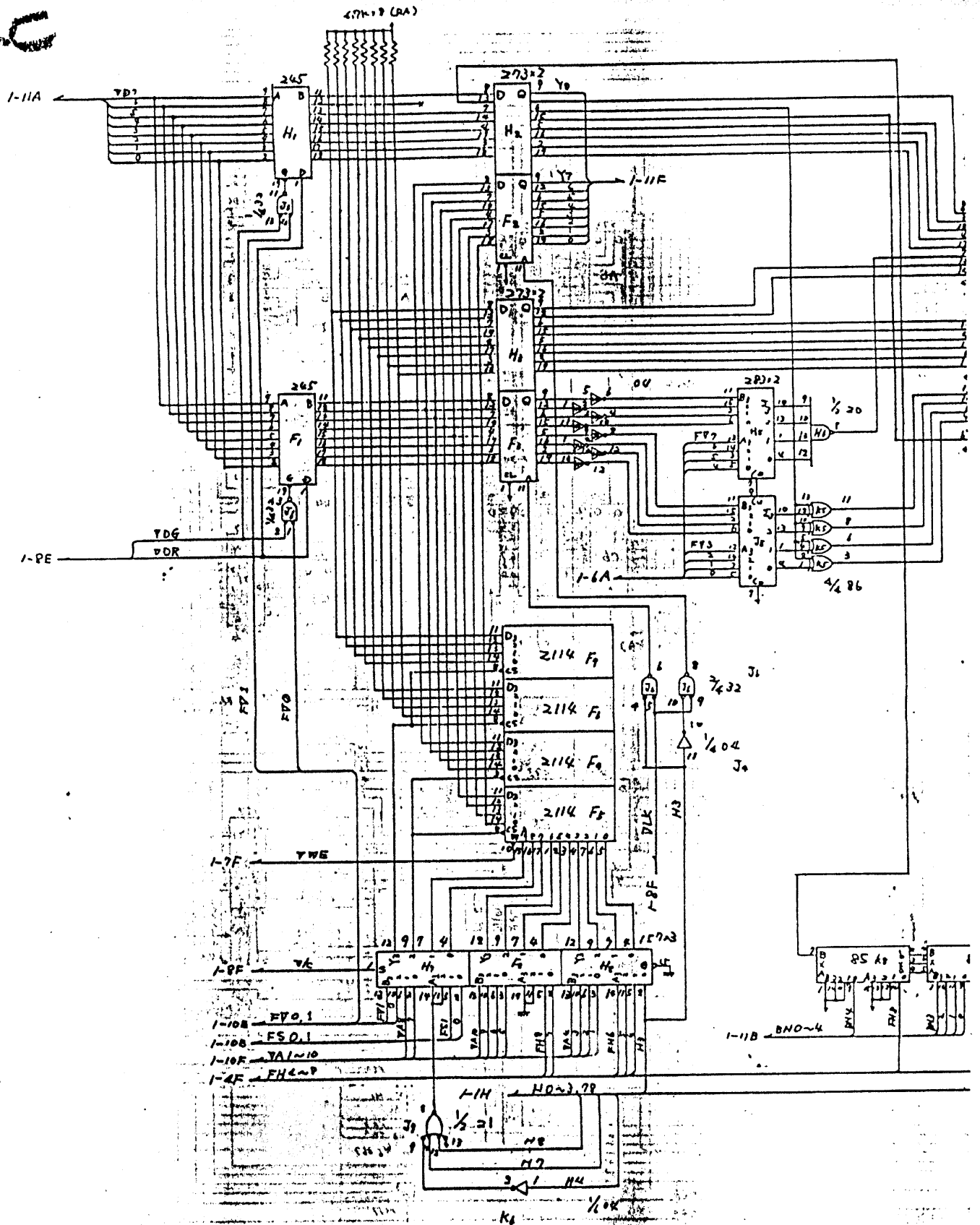


2-B



NAME	REVISION	ORG.	SNK ELECTRONICS
TRAC	NAME	MARVIN'S MAZE	

20



B

C

D

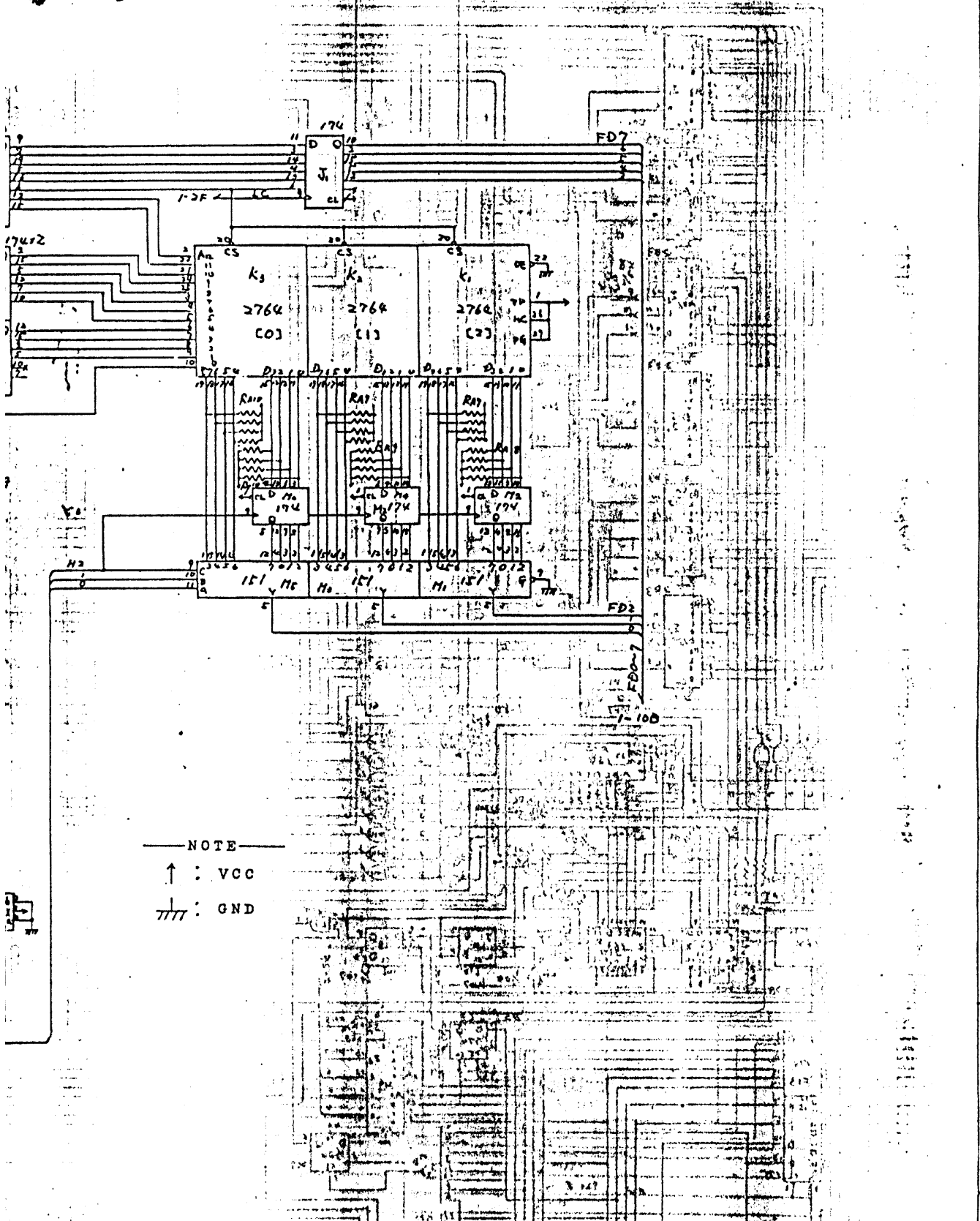
E

F

G

H

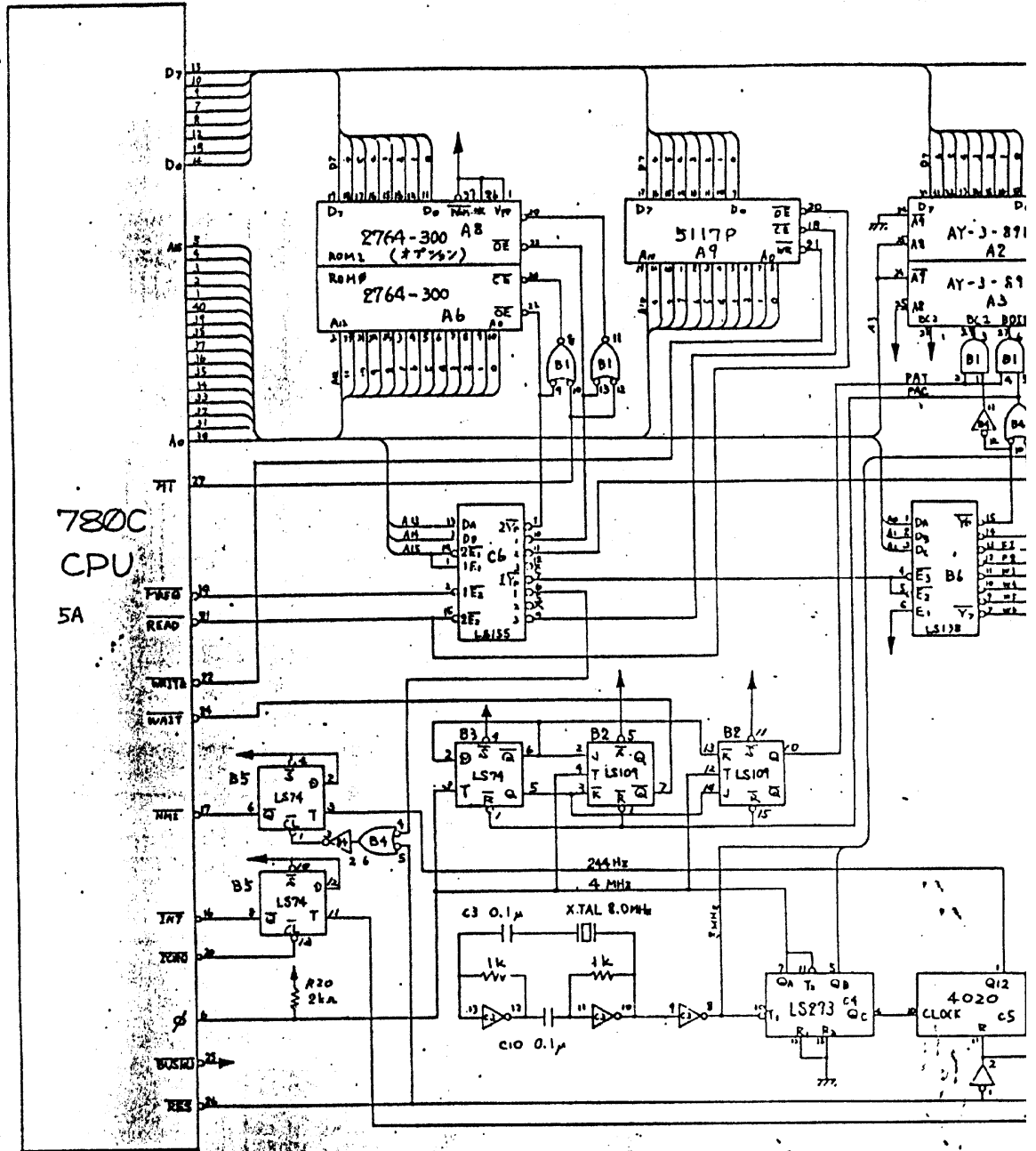
20



NOTE
 ↑ : VCC
 ▨ : GND

REV. 1	REVISION	ORG.	SNK ELECTRONICS
DATE	DATE	NAME	MARVIN'S MAZE
DRAWN 30 3 78	TYPE	TYPE	TYPE
11/11/78	11/11/78	11/11/78	11/11/78

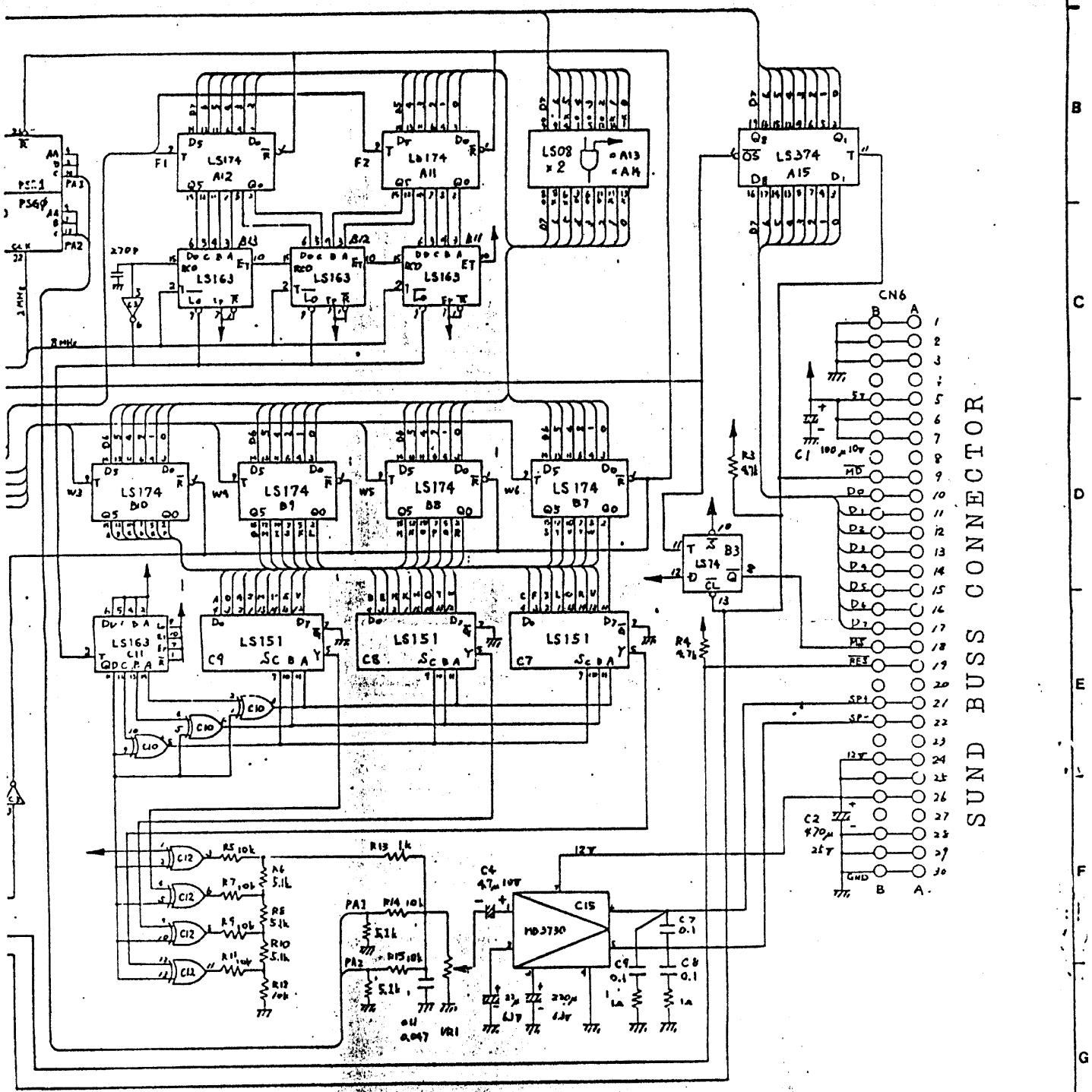
3A



NOTE
 ↑ : VCC
 ⊥ : GND

	VCC	GND
780 CPU	11	29
2764 ROM	28	14
5117 RAM	24	12
AY-3-891 PS (1)	40	1
4020 → 4010	16	8

3B



SUND BUSS CONNECTOR

NAME	REVISION	ORG.	SNK ELECTRONICS	
			TRAC. 83.3.15	NAME MARVIN'S MAZE
			KUSUKI	TYPE SOUND SCHEMATIC
			DRAWN 83.3.15	DWG. NO. A 2003 UC 03-01
			KUSUKI	
			CHKD 83.3.18	
			CHIKI	
			APPRO. 83.3.18	
			H Number	