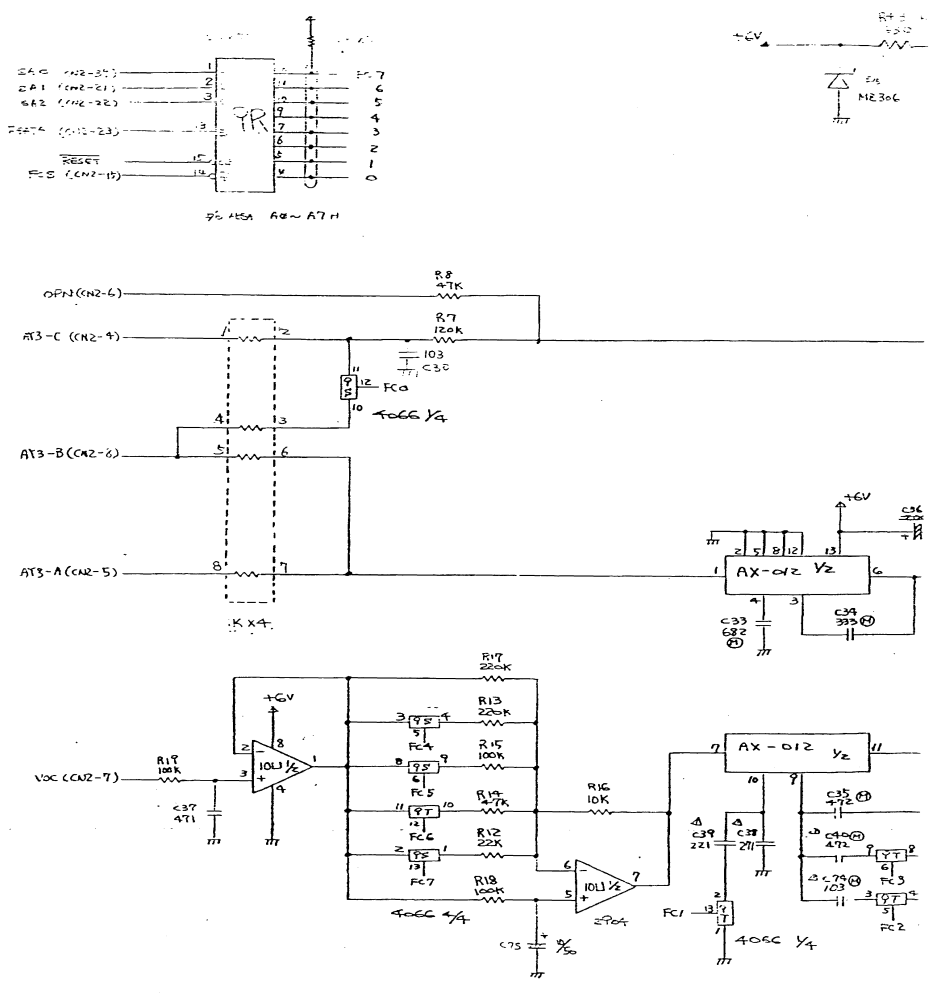


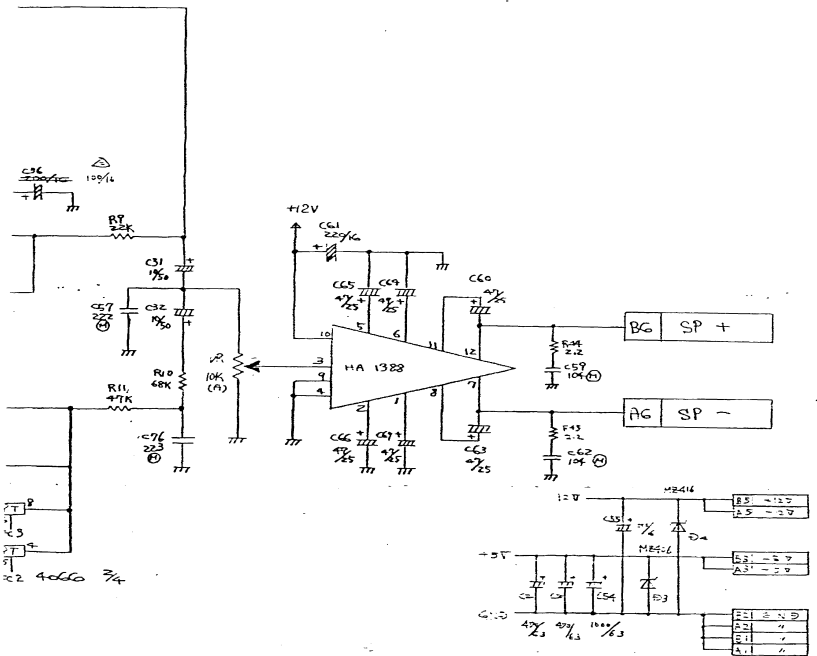
4/4

DATE	Designed by	Q8 I/O PLC
MAY 85		ZO-013-2

B
C
D
E
F
G
H

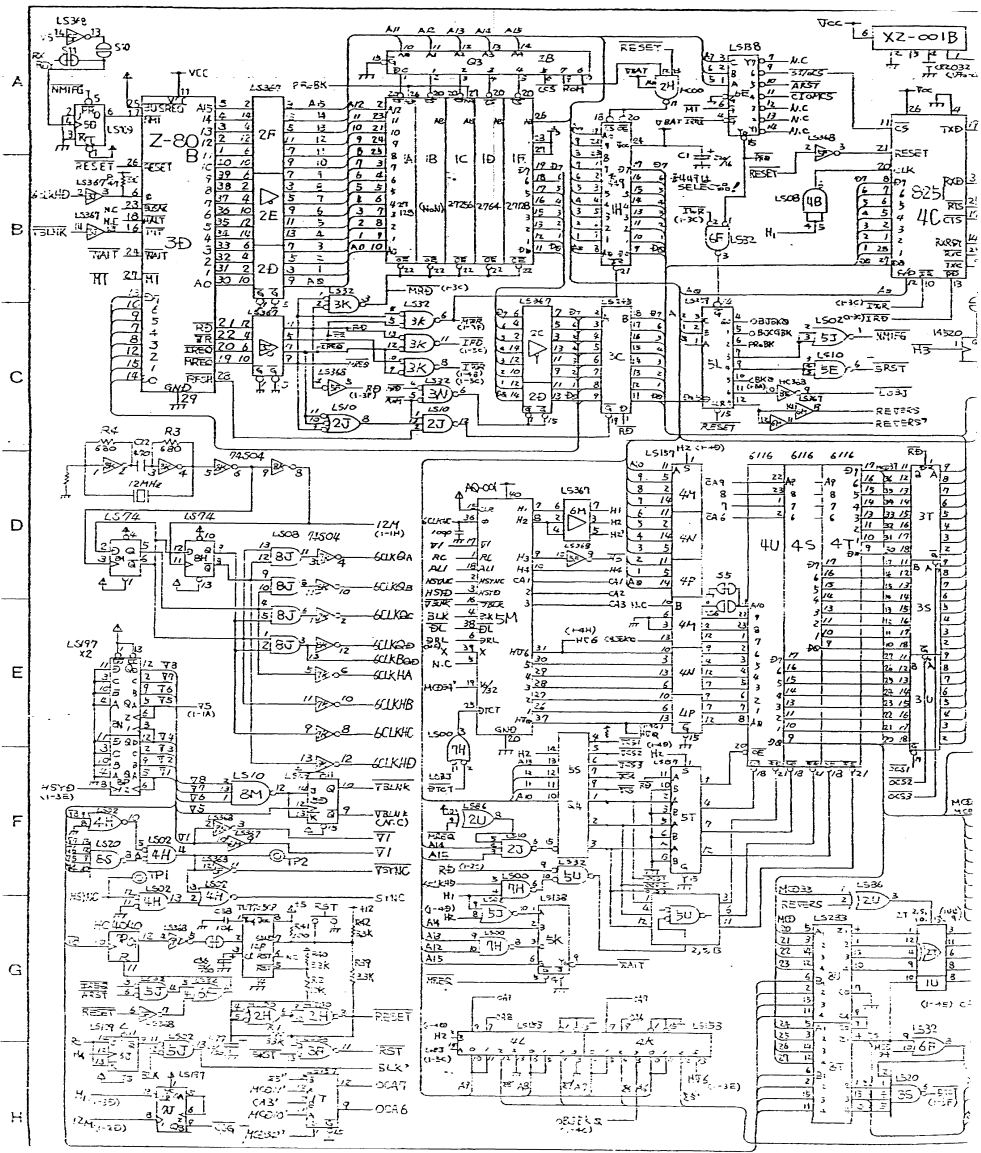


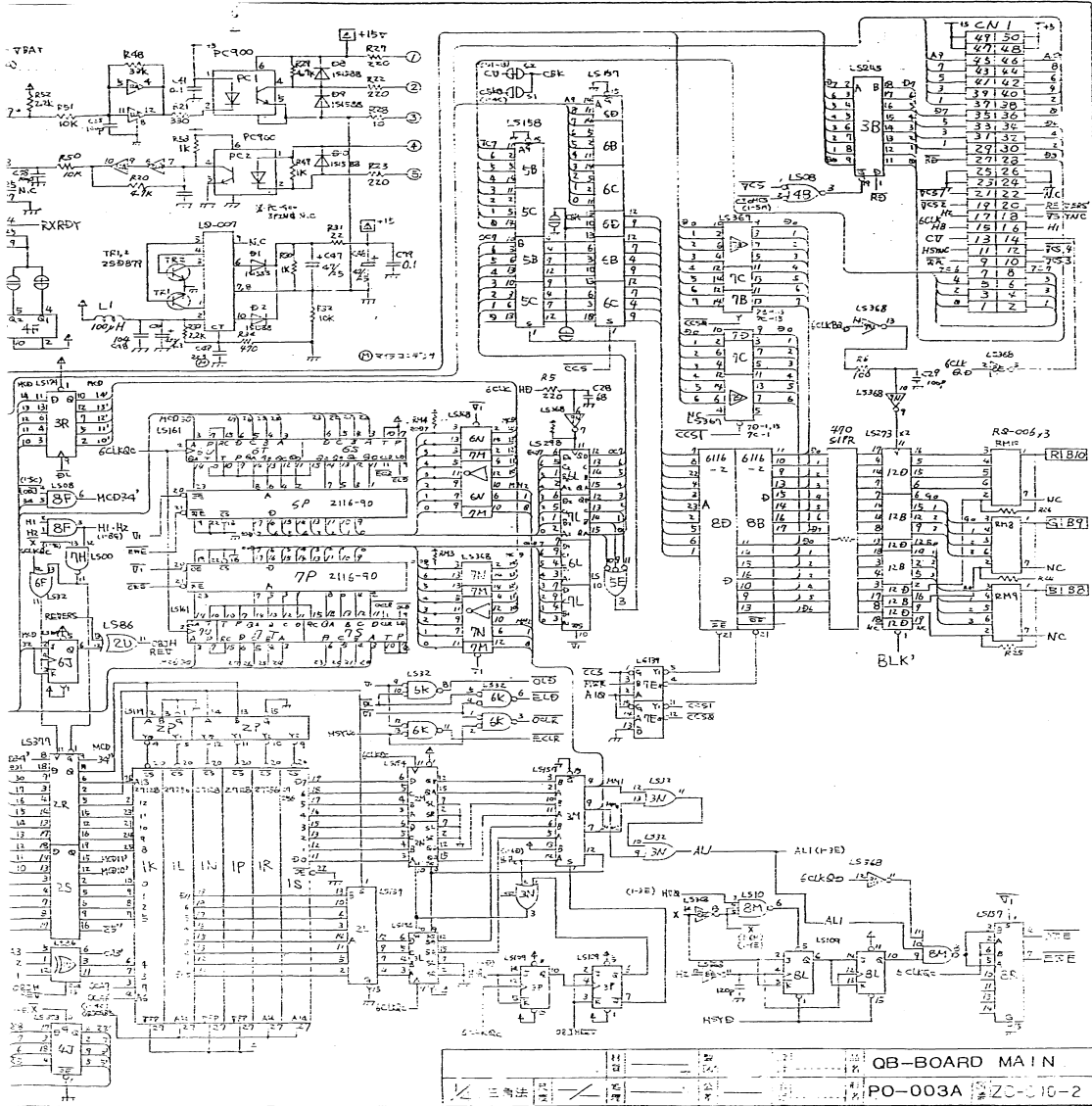
12V



Q BOARD SOUND

NO.	REV.	DATE	BY	CHK.	APP.	DESCRIPTION
1	1					Q BOARD SOUND
2	1					PO-003 ZO-011





QB-BOARD MAIN

PO-003A ZC-10-2