

1st PRINTING JUNE 98

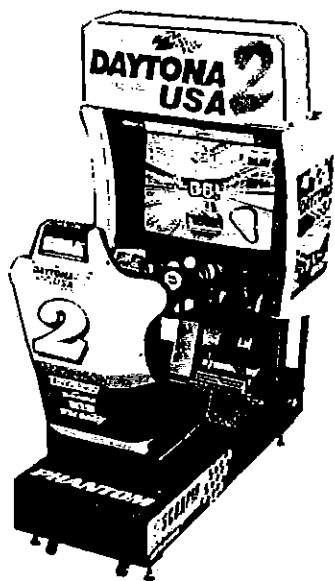
SEGA



DAYTONATM USA 2

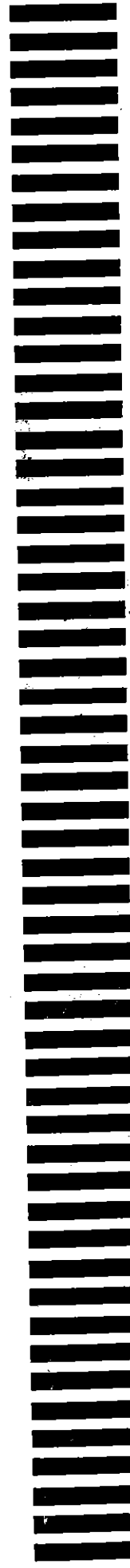
BATTLE ON THE EDGE

STD VERSION
OWNER'S MANUAL



SEGA ENTERPRISES, USA

MANUAL NO. 999-0705



Warranty

Your new Sega Product is covered for a period of 90 days from the date of shipment. This certifies that the Printed Circuit Boards, Power Supplies and Monitor are to be free of defects in workmanship or materials under normal operating conditions. This also certifies that all Interactive Control Assemblies are to be free from defects in workmanship and materials under normal operating conditions. No other product in this machine is hereby covered.

Sellers sole liability in the event a warranted part described above fails shall be, at its option, to replace or repair the defective part during the warranty period. For Warranty claims, contact your Sega Distributor.

Should the Seller determine, by inspection that the product was caused by Accident, Misuse, Neglect, Alteration, Improper Repair, Installation or Testing, the warranty offered will be null and void.

Under no circumstances is the Seller responsible for any loss of profits, loss of use, or other damages.

This shall be the exclusive written Warranty of the original purchaser expressed in lieu of all other warranties expressed or implied. Under no circumstance shall it extend beyond the period of time listed above.

SPECIFICATIONS

Installation space:	68 in.(L) x 45 in.(W)
Height:	75 in.
Weight:	Approx. 570 lbs.
Power maximum current:	7.7 Amp AC 120V 60 Hz
MONITOR:	29" NANA0 MONITOR

INTRODUCTION OF THE OWNERS MANUAL

SEGA ENTERPRISES, LTD., has for more than 30 years been supplying various innovative and popular amusement products to the world market. This Owners Manual is intended to provide detailed descriptions together with all the necessary installation, game settings and parts ordering information related to the DAYTONA 2 STD VERSION, a new SEGA product.

This manual is intended for those who have knowledge of electricity and technical expertise, especially in ICs, CRTs, microprocessors, and circuit boards. Read this manual carefully to acquire sufficient knowledge before working on the machine. Should there be a malfunction, non-technical personnel should under no circumstances touch the interior system. Should the need arise, contact our main office, or the closest branch office listed below.

SEGA ENTERPRISES, INC. (USA)

Customer Service

45133 Industrial Drive

Fremont, CA 94538

Phone 650-802-1750

Fax 650-802-1754

7:30 am - 4:00 pm, Pacific Standard Time

Monday thru Friday

General Precautions

Follow Instructions: All operating and use instructions should be followed.

Attachments: Do not use attachments not recommended by the product manufacturer as they may cause hazards.

Accessories: Do not place this product on an unstable cart, stand, tripod, bracket, or table. The product may fall, causing serious injury to a child or adult, and serious damage to the product. Use only with a cart, stand, tripod, bracket, or table recommended by the manufacturer, or sold with the product. Any mounting of the product should follow the manufacturer's instructions, and should use only mounting accessories recommended by the manufacturer.

Moving the Product: This product should be moved with care. Quick stops, excessive force, and uneven surfaces may cause the product to overturn.

Ventilation: Slots and openings in the cabinet are provided for ventilation, to ensure reliable operation of the product and to protect it from overheating; these openings must not be blocked or covered. The openings should never be blocked by placing the product in a built-in installation such as a bookcase or rack unless proper ventilation is provided or the manufacturer's instructions have been adhered to.

Power Sources: This product should be operated only from the type of power source indicated on the marking label. If you are not sure of the type of power supply to your location, consult your local power company. For products intended to operate from battery power or other sources, refer to the operating instructions.

Grounding or Polarization: This product is equipped with a three-wire grounding-type plug, a plug having a third (grounding) pin. This plug will only fit into a grounding-type power outlet. This is a safety feature. If you are unable to insert the plug into the outlet, contact your electrician to replace your obsolete outlet. Do not defeat the safety purpose of the grounding-type plug.

Power Cord Protection: Power-supply cords should be routed so that they are not likely to be walked on or pinched by items placed upon or against them, paying particular attention to cords at plugs, convenience receptacles, and the point where they exit from the product.

Overloading: Do not overload wall outlets, extension cords, or integral convenience receptacles as this can result in a risk of fire or electric shock.

Object and Liquid Entry: Never push objects of any kind into this product through openings as they may touch dangerous voltage points or short-out parts that could result in a fire or electric shock. Never spill liquid of any kind on the product.

Servicing: Do not attempt to service this product yourself as opening or removing covers may expose you to dangerous voltage or other hazards. Refer all servicing to qualified service personnel.

Damage Requiring Service: Unplug this product from the wall outlet and refer servicing to qualified service personnel under the following conditions:

- a) If the power cord or plug is damaged;
- b) If liquid has been spilled, or objects have fallen into the product;
- c) If the product has been exposed to rain or water;
- d) If the product does not operate normally when following the operating instructions. Adjust only those controls that are explained in the operating instructions. An improper adjustment of other controls may result in damage and will often require extensive work by a qualified technician to restore the product to its normal operation;
- e) If the product has been dropped or damaged in any way;
- f) When the product exhibits a distinct change in performance; this indicates a need for service.

Replacement Parts: When replacement parts are required, be sure the service technician has used replacements parts specified by the manufacturer or that have the same characteristics as the original part. Unauthorized substitutions may result in fire, electric shock, or other hazards.

Safety Check: Upon completion of any service or repairs to this product, ask the service technician to perform safety checks to determine that the product is in proper operating condition.

Heat: The product should be situated away from heat sources such as radiators, heat registers, stoves, or other products (including amplifiers) that produce heat.

Lithium Battery- Dispose of batteries only in accordance with the battery manufacturer's recommendations. Do not dispose in an open flame condition, since the battery may explode.

Cleaning: When cleaning the monitor glass, use water or glass cleaner and a soft cloth. Do not apply chemicals such as benzine, thinner, etc.

Location: This an indoor game machine, DO NOT install it outside. To ensure proper usage, avoid installing indoors in the places mentioned below:

- Places subject to rain/water leakage, or condensation due to humidity;
- In close proximity to a potential wet area;
- Locations receiving direct sunlight;
- Places close to heating units or hot air;
- In the vicinity of highly inflammable/volatile chemicals or hazardous matter;
- On sloped surfaces;
- In the vicinity of emergency response facilities such as fire exits and fire extinguishers;
- Places subject to any type of violent impact;
- Dusty places.

INSTALLATION PRECAUTIONS

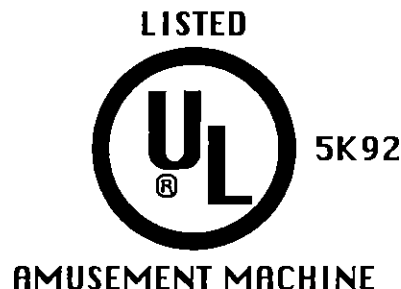
- Verify the amperage of the branch circuit outlet before plugging in the power plug. Do not overload the circuit.
- Avoid using an extension cord. If one is required, use an extension cord of type SJT, 16/3 AWG rated min. 120 VAC, 7A.
- Moving this unit requires a minimum clearance (of doors, etc.) of 32" (W) by 77" (H).
- For the operation of this machine, secure a minimum area of 32" (W) by 42"(D).

REGULATORY APPROVALS

This game has been tested and found to comply with the Federal Communications Commission Rules.

This device complies with Part 15 of the FCC Rules. Operation is subject to the following two conditions: (1) This device may not cause harmful interference, and (2) this device must accept any interference received, including interference that may cause undesired operation.

This game has been tested and listed by Underwriters Laboratories, Inc., to ANSI/UL22.



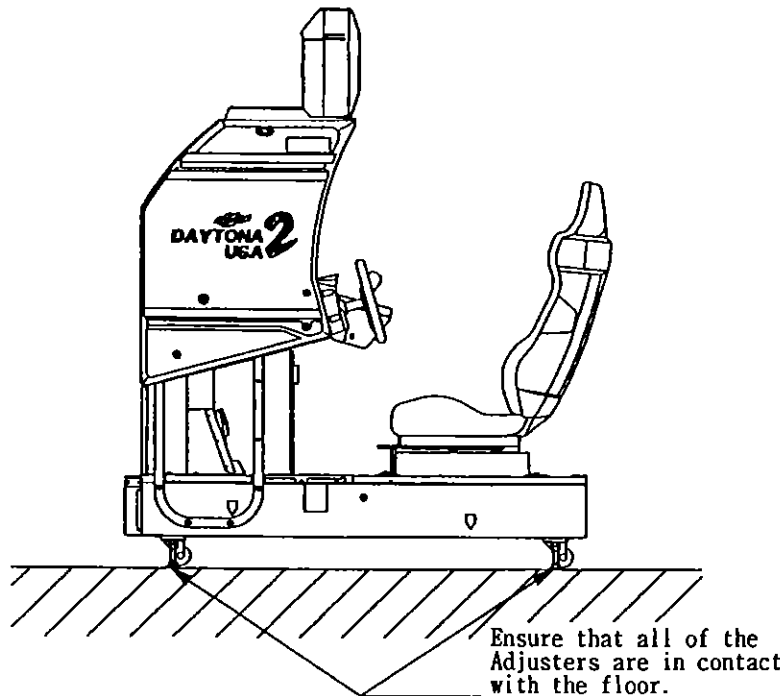
1 . PRECAUTIONS TO BE HEDED FOR OPERATION

In order to prevent accidents, be sure to comply with the following points before and during operation.

PRECAUTIONS TO BE HEDED FOR OPERATION BEFORE STARTING THE OPERATION



- In order to avoid accidents, check the following before starting the operation:
Check if all of the adjusters are in contact with the surface. If they are not, the cabinet can move and cause an accident.



- Do not climb on the product. Climbing on the product can cause falling down accidents. To check the top portion of the product, use a step.
- To avoid electric shock, check to see if door & cover parts are closed.
- To avoid electric shock, short circuit and or parts damage, do not put the following items on or in the periphery of the product:
- Flower vases, flower pots, cups, water tanks, cosmetics, and receptacles/containers/vessels containing chemicals and water.



To avoid injury, be sure to provide sufficient space by considering the potentially crowded situation at the installation location. Insufficient installation space can cause the player to come into contact with or hit others and result in injury or trouble.

PRECAUTIONS TO BE HEEDED DURING OPERATION



CAUTION!

To avoid injury and accidents, those who fall under the following categories are not allowed to play the game:

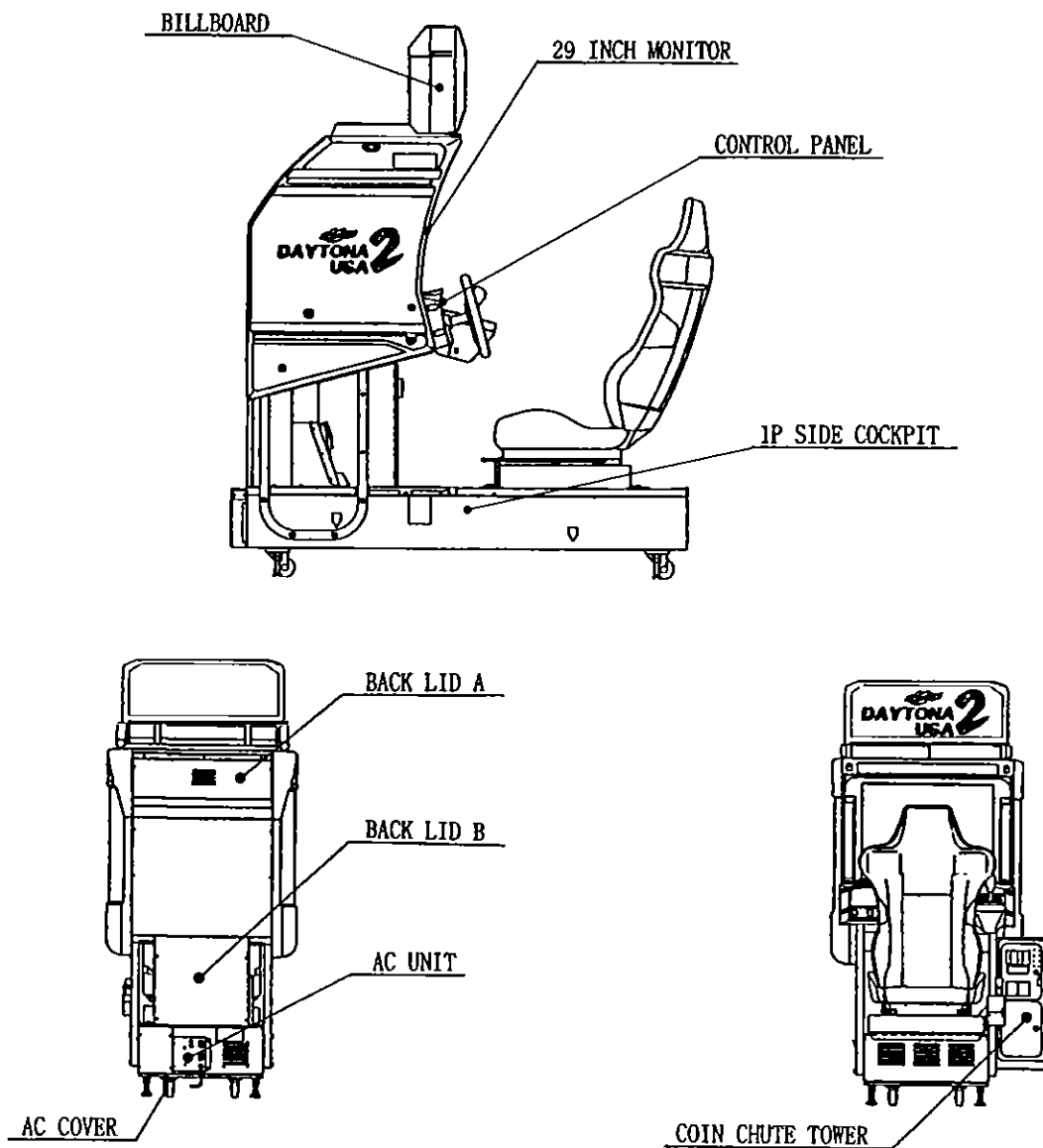
- * Intoxicated persons
- * Those who have high blood pressure or heart problems.
- * Those who have experienced muscle convulsion or loss of consciousness when playing video games, etc.
- * Persons susceptible to motion sickness.
- * Persons whose acts runs counter to the products warning displays.
- * Instruct those who wear high-heeled shoes to refrain from playing the game by explaining that playing the game with high-heeled shoes is very dangerous and likely to cause a potentially hazardous situation.



CAUTION!

- To avoid electric shock and short circuit, do not allow customers to put hands and fingers or extraneous matter in openings of the product or small openings in or around doors.
- To avoid electric shock and short circuit, do not allow the customers to unplug the power plug without a justifiable reason.
- Although this product has the accident preventive covering attached to potentially hazardous places where hand and fingers could be caught, small children are unable to perceive hazards. Use care so that small children do not come close to the product when in play.
- Immediately stop such violent acts as hitting and kicking the product. Such violent acts can cause parts damage and/or falling down, resulting in injury due to fragments and falling down.

2 . NAME OF PARTS



GAME SPECIFICATIONS	WIDTH in.	LENGTH in.	HEIGHT in.	WEIGHT lbs.
Weight-DURING SHIPPING	All measurements are and rounded UP			~ 680 LBS.
BILLBOARD	32"	X 8.5"	X 12.5"	24 LBS.
COCKPIT(each)	33"	X 66"	X 61"	513 LBS.
COIN CHUTE TOWER	12.5"	X 21"	X 23"	33 LBS.
WHEN ASSEMBLED	45"	X 68"	X 45"	570 LBS.

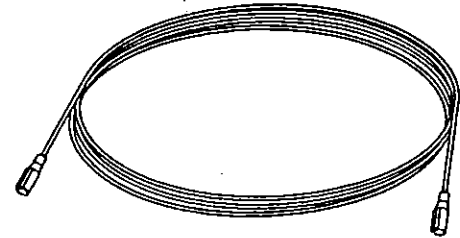
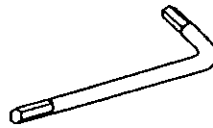
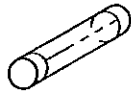
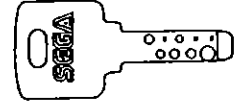
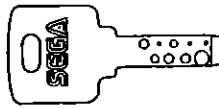
TABLE OF CONTENTS

INTRODUCTION OF THE OWNERS MANUAL	1
GENERAL PRECAUTIONS	2~3
1. PRECAUTIONS TO BE HEDED FOR OPERATION	4~5
2. NAME OF PARTS	6
3. ACCESSORIES	7~8
4. ASSEMBLY AND INSTALLATION	9~16
5. PRECAUTIONS TO BE HEDED WHEN MOVING MACHINE	17
6. CONTENTS OF GAME	18~20
7. EXPLANATION OF TEST AND DATA DISPLAY	21~35
7-1 SWITCH UNIT AND COIN METER	22
7-2 TEST MODE	23
7-3 MEMORY TEST	23~24
7-4 BOUNDRY SCAN TEST	25
7-5 INPUT TEST	26
7-6 OUTPUT TEST	26
7-7 SOUND TEST	27
7-8 C.R.T. TEST	28
7-9 DRIVE BOARD TEST	28~29
7-10 GAME ASSIGNMENTS	30
7-11 COIN ASSIGNMENTS	31~33
7-12 BOOKKEEPING	34
7-13 BACKUP DATA CLEAR	34
7-14 TIME ADJUST	35
8. HANDLE MECHA	36
8-1 REMOVING THE CONTROL PANEL	36
8-2 REPLACING AND ADJUSTING THE HANDLE'S VR	37
8-3 GREASING	38
9. SHIFT LEVER	39~40
9-1 REMOVING THE SHIFT LEVER	39
9-2 SWITCH REPLACEMENT	40
10. ACCEL & BRAKE	41~42
10-1 ADJUSTING AND REPLACING THE VR	41
10-2 GREASING TO FOOT BRAKE AND ACCEL	42
11. COIN SELECTOR	43~45
12. MONITOR	46~48
13. REPLACEMENT OF FLUORESCENT LAMP	49
13-1 REPLACEMENT OF FLUORESCENT LAMP	49
14. PERIODIC INSPECTION TABLE	50
15. TROUBLESHOOTING	51
16. GAME BOARD	52~56
16-1 REMOVING THE GAME BOARD	52
16-2 REPLACEMENT OF FUSE	53
16-3 COMPOSITION OF THE GAME BOARD	54
16-4 ERROR DISPLAY	54~56
17. COMMUNICATION PLAY	57~60
17-1 INSTALLATION PRECAUTIONS	57
17-2 CONNECTING THE COMMUNICATION CABLES	57~58
17-3 SETTING FOR COMMUNICATION PLAY	60
18. DESIGN RELATED PARTS	61~62
19. PARTS LIST	63~93
20. WIRING DIAGRAMS	XXX



3. ACCESSORIES

<p>DESCRIPTION OWNERS MANUAL Part No. (Qty.) 999-0705 Note Figures If Part No. has no description, the Number has not been registered or can not be registered. Such a part may not be obtainable even if the customer desires to purchase it. Therefore, ensure that the part is in safekeeping with you.</p>	<p>KEY MASTER 220-5576 (2) For opening/closing the doors</p>	<p>KEY (2) For the CASHBOX DOOR</p>
<p>FUSE 7A 120V local purchase (2)</p>	<p>TAMPERPROOF WRENCH M8 540-0009-01 (1) TOOL</p>	<p>ASSY FIBER CABLE 600-6275-0500 (2) For communications play</p>



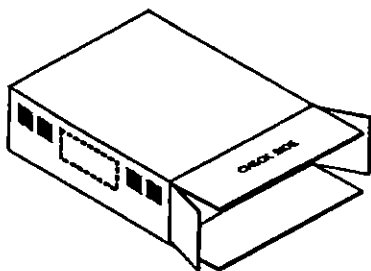


WARNING!

THE SHIPMENT METHOD DESCRIBED BELOW ONLY APPLIES TO 'MODEL 3' BOARDS CONTAINED IN THE FOLLOWING GAMES:

LOST WORLD, VIRTUA FIGHTER 3, SUPER GT, SEGA BASS FISHING, STRIKER 2
HARLEY DAVIDSON, RALLY 2, DAYTONA 2

!!NEVER SHIP MODEL 3 GAME BOARDS OUTSIDE OF CAGE!!

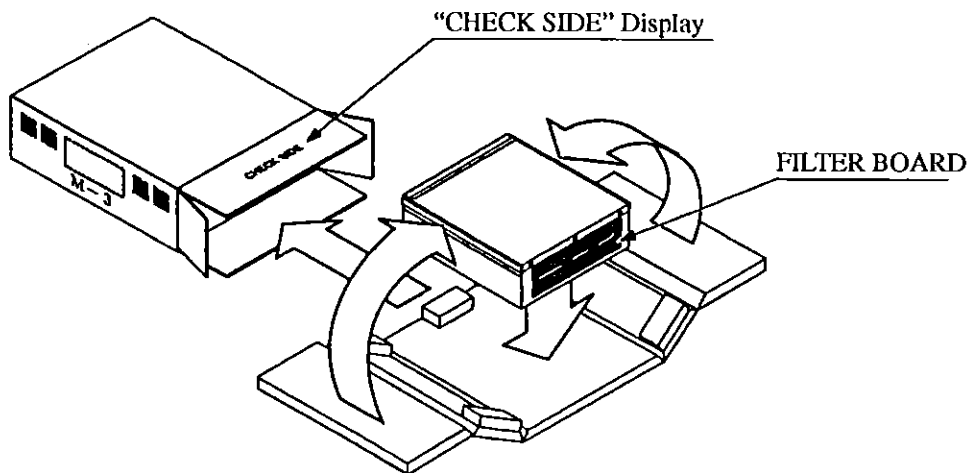


CARTON BOX

601-8928 (1)

Used for transporting the GAME BOARD.
{ SUPPLIED WITH YOUR GAME }

DO NOT SHIP GAME BOARD WITHOUT THIS BOX AS IT MAY DAMAGE THE GAME BOARD AND VOID YOUR WARRANTY.



WARNING!

NO OTHER GAMES BOARDS ARE TO BE SHIPPED IN THE CAGE AS THEY MAY BE DAMAGED BEYOND REPAIR. PLEASE SHIP THEM WITHOUT CAGE PROPERLY PROTECTED DURING SHIPPING.

4 . ASSEMBLING AND INSTALLATION



Assembling should be performed as per this manual. Since this is a complex machine, erroneous assembling may cause damage to the machine, or malfunctioning to occur.

When assembling, be sure to perform work by plural persons. Depending on the assembly work, there are some cases in which performing the work by a single person can cause personal injury or parts damage.

When carrying out the assembly work, follow the procedure in the following 5-item sequence:

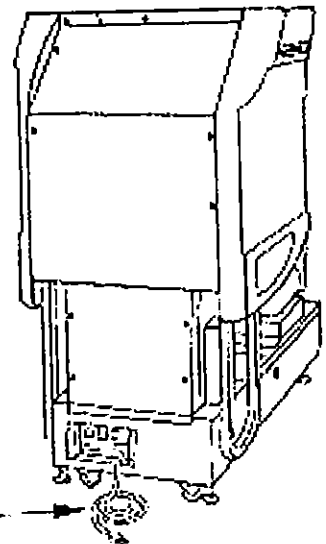
- 1 ASSY OF THE REAR CABI (COCKPIT)
- 2 ASSY OF BILLBOARD
- 3 SECURING IN PLACE (ADJUSTER ADJUSTMENT)
- 4 POWER SUPPLY
- 5 ASSEMBLING CHECK

Note that the tools such as a phillips screwdriver and wrench for M16 hexagon bolt w/24 mm width across flats are required for the assembly work.

- 1 ASSY OF REAR CABI (COCKPIT)

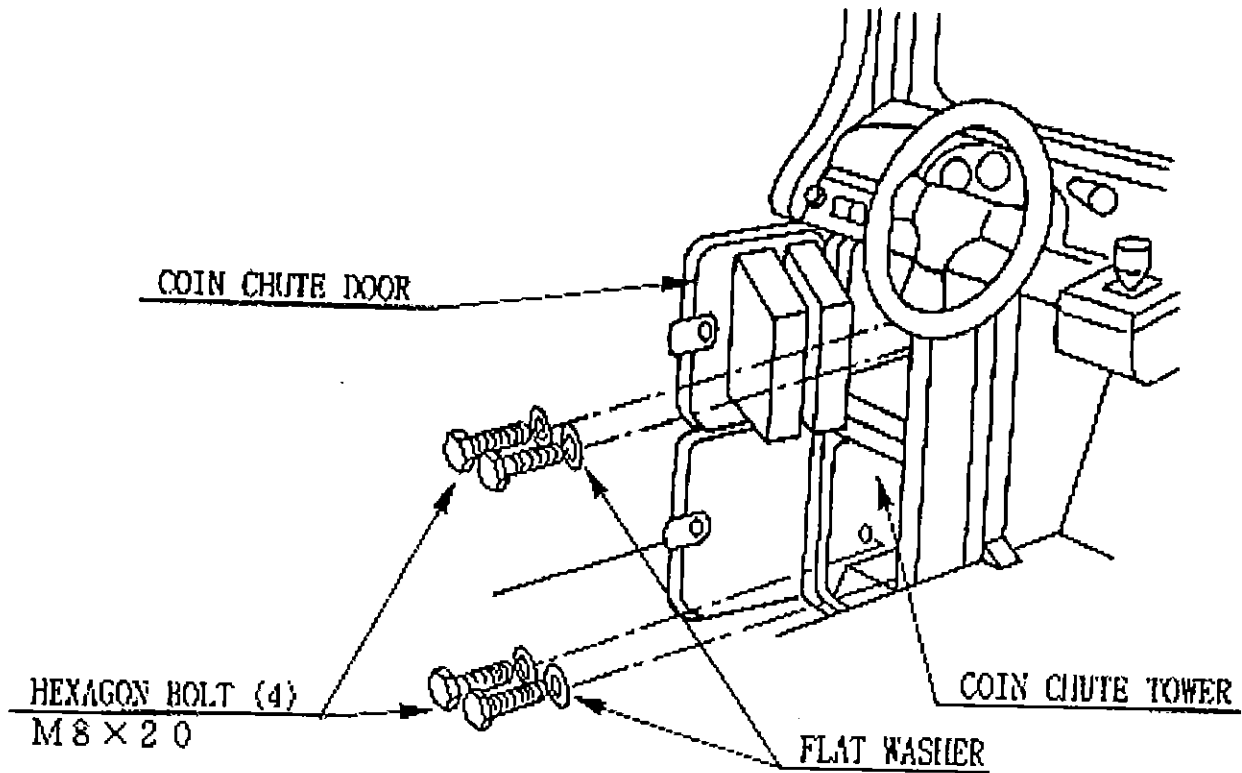


Permanantly tightening the hex bolts should not be completed until the leg levelers are adjusted properly.



POWER CORD

- ① Install the coin chute tower on the Right-hand side of cabinet. Open the coin chute door and the cashbox door to secure with the 4 hexagon bolts from inside the doors. Please note that the Coin Chute tower is NOT mounted

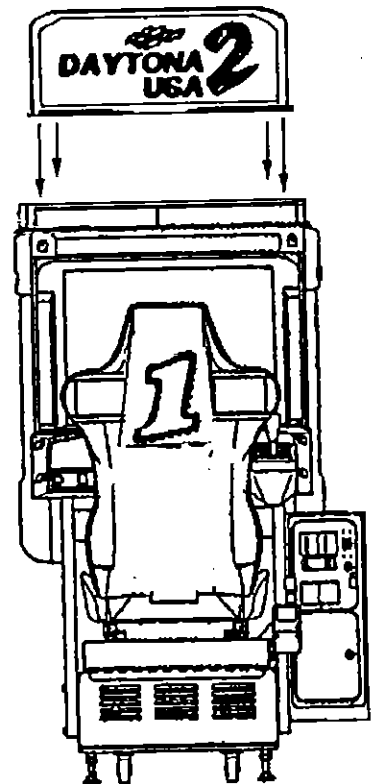
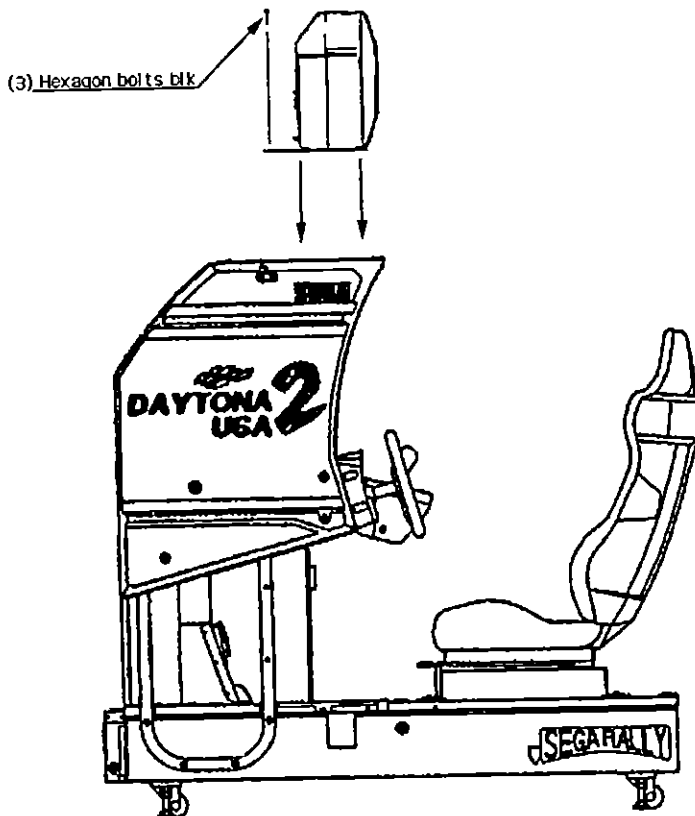


2 ASSY OF THE BILLBOARD



Due to its large size, it is very difficult for one person alone to install the billboard, Make sure 2 or more persons are available to perform this work. Attempting to perform the installation alone can cause an accident.

- ① Mount Billboard on cabinet by ensuring the front lip of the Billboard is securely placed under the mounting bracket already installed on the cabinet. Fasten with the 3 hexagon bolts.
- ② Connect all of the 4 connectors inside the Billboard box (This needs to be done prior to final installation of Billboard Assy).



3

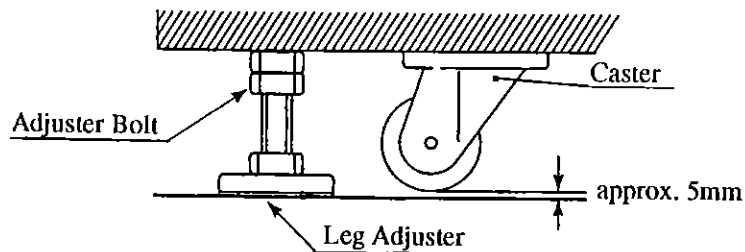
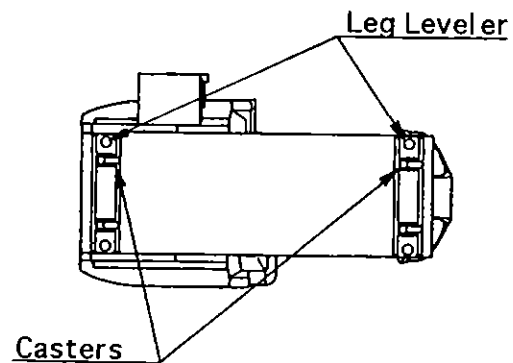
SECURING IN PLACE (ADJUSTER ADJUSTMENT)



Be sure to have all the Adjusters make contact with the surface. Unless the Adjusters come into contact with the surface, the Cabinet can move of itself, causing an accident.

This machine has 4 each of casters and adjusters (shown below). When the installation position is determined, cause the adjusters to come into contact with the floor directly, make adjustments in a manner so that the casters will be raised approximately 5mm. from the floor and make sure that the machine position is level.

- ① Move the machine to the installation position.
- ② By using a wrench, make adjustments in the height of the leg adjusters to ensure that the machine's position is level.
- ③ After making adjustments, fasten the leg adjuster nut upward and secure the height of the leg adjuster.
- ④ Tighten the 4 screws which secure the cockpits to the Coin Tower.



4

POWER SUPPLY



- Ensure that the power cord is not exposed on the surface (passage, etc.). If exposed, they can be caught and are susceptible to damage. If damaged, the cord can cause an electric shock or short circuit.
- Ensure that the wiring position is not in the customer's passage way or the wiring has protective covering.

Connect the game to the power supply and turn on power to the game. Before connecting power supply be sure that power switch is off

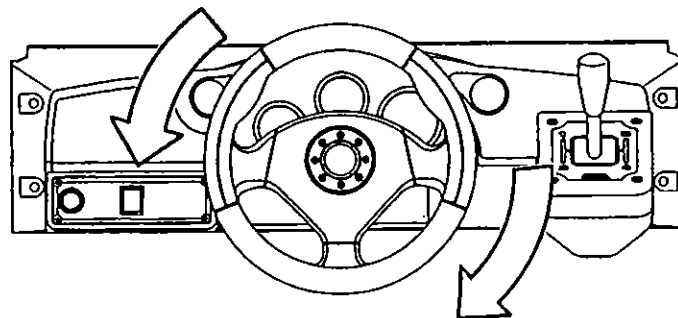
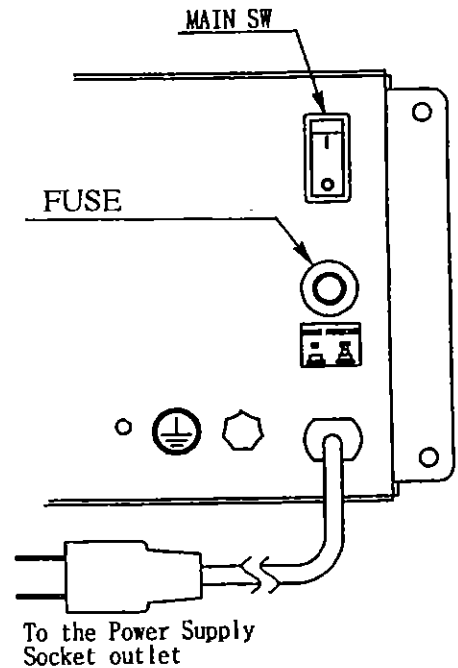
Turning the AC unit's main switch on will cause the machine to start the power check and network check automatically. In the Power On check, the steering wheel turns left and right, and then returns to the centering position and stops. In this check, the values of the VR inside the control panel are corrected.

Until this check is finished, and the steering wheel stops, do not touch the steering wheel or play the game.

If you do, the steering reaction during the game (reaction at the time of course-out or crash) can not be obtained correctly.

In the case of an abnormal reaction during the game, turn power on again from the beginning and complete the power on check.

During Network checking, "NETWORK CHECKING" flashes on the screen. When network checking is finished, the demo mode will appear on the monitor screen. After 10 seconds, if the network check is not finished, check the communications connections.



5

ASSEMBLING CHECK

The TEST MENU allows for each part of the cabinet to be checked, the Monitor to be adjusted, and the coin and game related various functions to be performed.

CPU RAM TEST

GOOD	(SDRAM)	IC. 13	
GOOD	(SDRAM)	IC. 14	
GOOD	(SDRAM)	IC. 15	
GOOD	(SDRAM)	IC. 16	
GOOD	(BACKUP SRAM)	IC. 21	IC. 22
GOOD	(SCROLL SDRAM)	IC. 94 or IC. 19	IC. 20
GOOD	(SCROLL SRAM)	IC. 17	IC. 18

PRESS TEST BUTTON TO CONTINUE

Selecting the MEMORY TEST on the test mode menu screen causes the on-board memory to be tested automatically. The game board is satisfactory if the display beside each IC No. shows GOOD.

CPU ROM TEST

GOOD (CROM03 MASK)	IC. 1	XXXX
GOOD (CROM02 MASK)	IC. 2	XXXX
GOOD (CROM01 MASK)	IC. 3	XXXX
GOOD (CROM00 MASK)	IC. 4	XXXX
GOOD (CROM13 MASK)	IC. 5	XXXX
GOOD (CROM12 MASK)	IC. 6	XXXX
GOOD (CROM11 MASK)	IC. 7	XXXX
GOOD (CROM10 MASK)	IC. 8	XXXX
GOOD (CROM23 MASK)	IC. 9	XXXX
GOOD (CROM22 MASK)	IC. 10	XXXX
GOOD (CROM21 MASK)	IC. 11	XXXX
GOOD (CROM20 MASK)	IC. 12	XXXX
GOOD (CROM33 MASK)	IC. 13	XXXX
GOOD (CROM32 MASK)	IC. 14	XXXX
GOOD (CROM31 MASK)	IC. 15	XXXX
GOOD (CROM30 MASK)	IC. 16	XXXX
GOOD (CROM3 MASK)	IC. 17	XXXX
GOOD (CROM2 MASK)	IC. 18	XXXX
GOOD (CROM1 MASK)	IC. 19	XXXX
GOOD (CROM0 MASK)	IC. 20	XXXX

PRESS TEST BUTTON TO CONTINUE

VIDEO BOARD RAM TEST

PRESS TEST BUTTON TO CONTINUE

VIDEO BOARD ROM TEST

GOOD	(VROM01)	IC. 26
GOOD	(VROM00)	IC. 27
GOOD	(VROM03)	IC. 28
GOOD	(VROM02)	IC. 29
GOOD	(VROM05)	IC. 30
GOOD	(VROM04)	IC. 31
GOOD	(VROM07)	IC. 32
GOOD	(VROM06)	IC. 33
GOOD	(VROM11)	IC. 34
GOOD	(VROM10)	IC. 35
GOOD	(VROM13)	IC. 36
GOOD	(VROM12)	IC. 37
GOOD	(VROM15)	IC. 38
GOOD	(VROM14)	IC. 39
GOOD	(VROM17)	IC. 40
GOOD	(VROM16)	IC. 41

PRESS TEST BUTTON TO EXIT

INPUT TEST

CHUTE#1	OFF	CHUTE#2	OFF
SHIFT 1	OFF	SHIFT 2	OFF
SHIFT 3	OFF	SHIFT 4	OFF
VIEW 1	OFF	VIEW 2	OFF
VIEW 3	OFF	VIEW 4	OFF
START	OFF		
TEST	OFF	B TEST	OFF
SERVICE	OFF	B SERVICE	OFF
HANDLE	XXH		
ACCEL	XXH		
BRAKE	XXH		

PRESS SERVICE+TEST BUTTON TO EXIT

Selecting the INPUT TEST on the menu screen in the test mode to display the screen on which each SW and Volume is tested. Press each switch. (To check the Coin SW, insert a Coin from the inlet with the Coin Chute Door being opened.) If the display beside each switch is ON, the switch and wiring connection are satisfactory. Check the display of each Volume value. The Volume could have an irregularity caused by differences between machines and vibration during transportation. Set the Volume values by referring to Section ?

OUTPUT TEST

START	ON
VIEW1	OFF
VIEW2	OFF
VIEW3	OFF
VIEW4	OFF
LEADER	OFF

PRESS TEST BUTTON TO EXIT

In the output test mode, carry out lamp test to ascertain that each lamp lights up satisfactorily.

Perform the above inspections also at the time of monthly inspection.

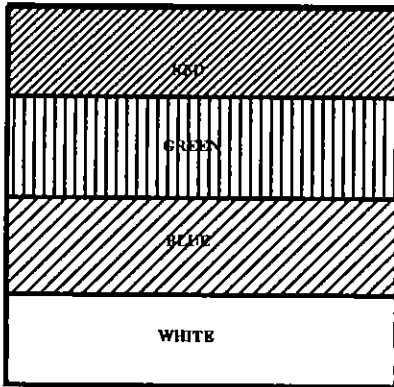
VIDEO BOARD ROM TEST

GOOD	(VROM01)	IC. 26
GOOD	(VROM00)	IC. 27
GOOD	(VROM03)	IC. 28
GOOD	(VROM02)	IC. 29
GOOD	(VROM05)	IC. 30
GOOD	(VROM04)	IC. 31
GOOD	(VROM07)	IC. 32
GOOD	(VROM06)	IC. 33
GOOD	(VROM11)	IC. 34
GOOD	(VROM10)	IC. 35
GOOD	(VROM13)	IC. 36
GOOD	(VROM12)	IC. 37
GOOD	(VROM15)	IC. 38
GOOD	(VROM14)	IC. 39
GOOD	(VROM17)	IC. 40
GOOD	(VROM16)	IC. 41

PRESS TEST BUTTON TO EXIT

In the TEST mode, selecting SOUND TEST causes the screen, on which sound related BD and wiring connections are tested, to be displayed. be sure to check if the sound is satisfactorily emitted from each of speaker and the sound volume is appropriate.

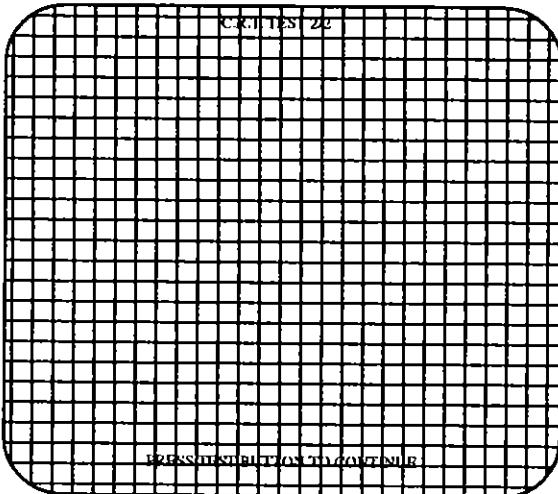
C.R.T. TEST 1/2



PRESS TEST BUTTON TO CONTINUE

In the TEST mode menu, selecting C.R.T. TEST allows the screen (on which the projector is tested) to be displayed. Although the projector adjustments have been made at the same time of shipment from the factory, color deviation, etc., may occur due to the effect caused by geomagnetism, the location building's steel frames and other game machines in the periphery. By watching the test mode screen, make judgement as to whether an adjustment is needed. If it is necessary, adjust the projector by referring to Section 9.

C.R.T. TEST 2/2



PRESS TEST BUTTON TO CONTINUE

Perform the above inspections also at the time of monthly inspection.

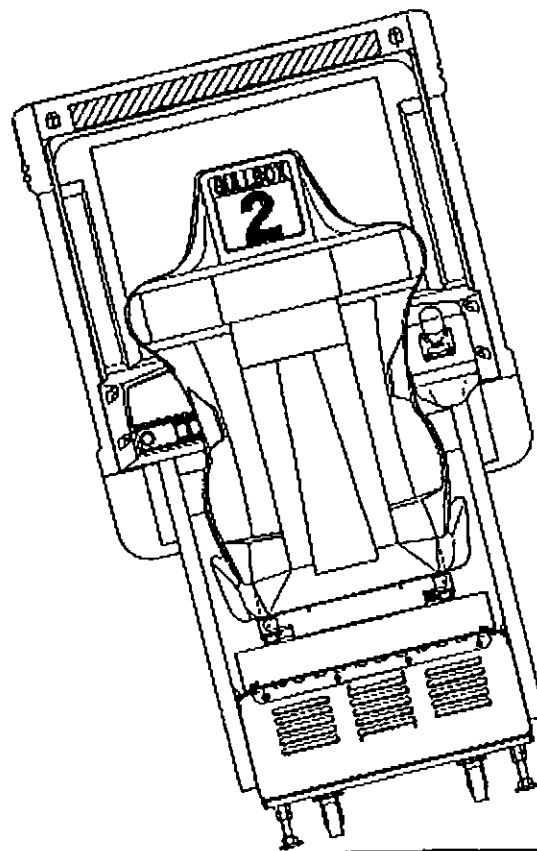
5 . PRECATIONS TO BE HEEDED WHEN MOVING THE MACHINE



- When moving the machine, be sure to pull out the plug from the power supply. Moving the machine with the plug as is inserted can damage the power cord and cause a fire or electric shock.
- When moving the machine on the floor, retract the Adjusters and ensure that Casters make contact with the floor. During transportation, pay careful attention so that Casters do not tread power cords. Damaging the power cords can cause an electric shock and/or short circuit.
- When lifting the cabinet, be sure to hold the catch portions or bottom part. Lifting the cabinet by holding other portions can damage parts and installation portions, due to the empty weight of the cabinet, and cause personal injury.



Use care when handling glass made parts. When the glass is damaged, fragments of glass can cause injury



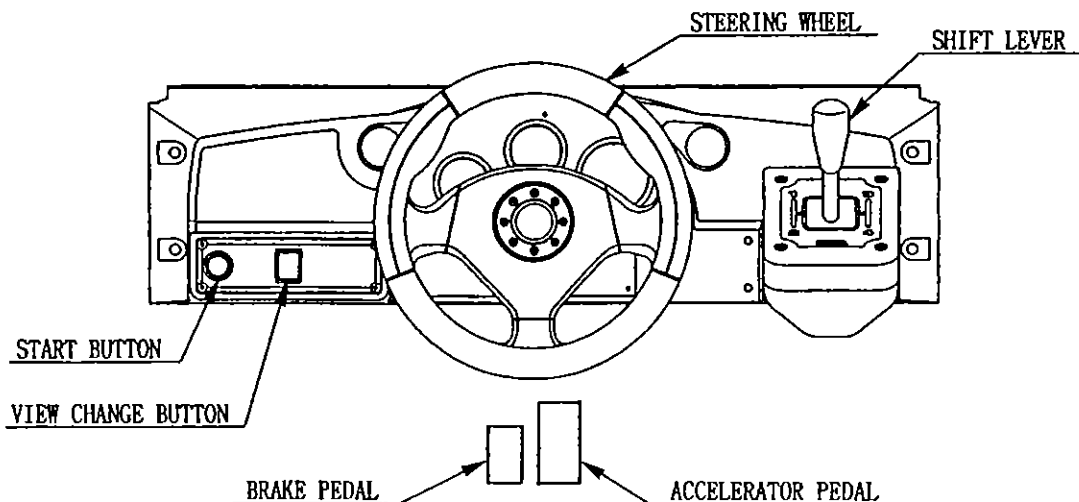
Do not push the cabinet from the left/right direction.

6. CONTENTS OF GAME

The following explanations apply to the case the product is functioning satisfactorily. Should there be any moves different from the following contents, some sort of faults may have occurred. Immediately look into the cause of the fault and eliminate the cause thereof to ensure satisfactory operation. During the Advertise mode, the Billboard's Decoration Lamp lights up periodically. When the machine is energized, the Billboard's Fluorescent Lamp is always lit. The Steering Wheel repeats centering action periodically. Automatic centering will apply to the Steering Wheel if it is not centered. During the Advertise Mode, sound is emitted from the Speaker beside the Monitor.

HOW TO PLAY

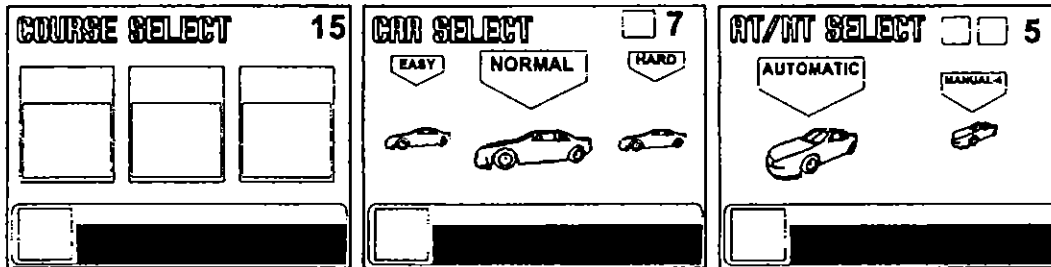
- ① Get in the Cockpit. The seat can be adjusted in forward and rearward positions. The Lever is located on the lower right (facing the screen) of the Seat. Pull this Lever to make adjustments.
- ② Insert a coin(s). Number of coins is displayed on the lower left of the screen. Inserting one play worth of coin(s) causes the SELECT screen to be displayed. Up to 9 credits can be counted at one time. Coins inserted after counting 9 credits will neither be counted nor returned. Credits will not be displayed in the SELECT mode and during the game play (credits are displayed only during ADVERTISE).
- ③ When a coin is inserted to one of the machines linked for communication, the other unit's screen will be in the entry accepting mode, and countdown starts. For Entry, the player is to insert a coin(s) during countdown.
- ④ Select sequentially in order of COURSE, CAR, and TRANSMISSION. Turn the Steering Wheel to choose and decide the selection by stepping on the Accelerator Pedal.



Displaying the SELECT mode starts countdown. When the countdown becomes 0, the COURSE and CAR being chosen are determined automatically.

Stepping on the Accel. Pedal again after stepping on it once will have the present SELECT screen, in the middle of counting down, proceed to the next SELECT screen

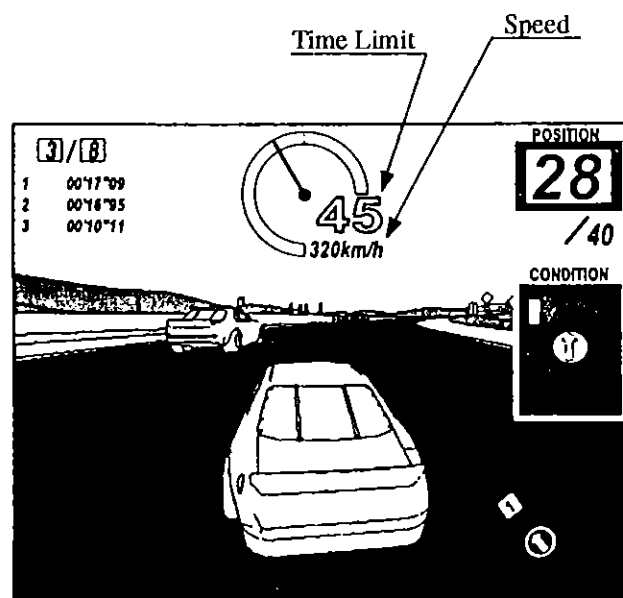
Course selection is decided by majority. In case of a tie, the left-hand side course on the SELECT screen has priority.



⑤ Choosing and deciding on either Automatic or Manual (4 shifts) will result in a race start. At this time, while pressing the Start Button, step on the Accel. Pedal to decide on the selection to play in the PLAYER ONLY mode. After race start, the View Change Button being selected lights up. While participating in the race, if the player becomes the leader, that particular seat's Leader Lamp flashes. The Steering Wheel is subject to the reaction and load depending on the status of the Course, Course Out and Crash.

⑥ The number of Laps is displayed on the upperleft of the screen, and Lap time is shown below the upper left. Tachometer and Time Limit (remaining time) as well as Speed are shown on the upper center portions. Position, Condition and Course Map are displayed sequentially in order from the upper right portion of the screen downward. If Manual Transmission is selected, Gear Position will be shown to the right side of speed.

⑦ Simultaneously with race start, the Time Limit decreases. Passing a Course's Check Point allows the game to be continued with the remaining time of the previous section added to the Time Limit up to the next Check Point. Failing to pass the Check Point within the Time Limit results in GAME OVER.



- ⑧ When the race participants' leader finishes the specified number of laps of each course, the game is over then. The game is over also when all of the race participants fail to pass the checkpoint within the time limit.
- ⑨ After one game is finished, if credits allowing for play still remain, the SELECT mode appears on the screen.
- ⑩ Excellent players can enter their name. Select name characters by turning the Steering Wheel clockwise or counter-clockwise and decide by stepping on the Accel. Pedal.

7 . EXPLANATION OF TEST AND DATA DISPLAY

By operating the switch unit, periodically perform the tests and data check. When installing the machine initially or collecting cash, or when the machine does not function correctly, perform checking in accordance with the explanations given in this section. The following shows tests and modes that should be utilized as applicable.



IMPORTANT!

CAUTIONS TO BE HEDED WHEN USING THE TEST MODE:

In the case where plural machines are linked for communication play, if even one seat enters the test mode, all of the linked seats will enter the test mode. Therefore, if any one of the linked machines is in play, use care so as not to use the test mode.

The contents of the setting changes made will not be effective unless the test mode is finished in the test mode. When the setting is changed, be sure to "EXIT" in the menu mode. Do not press the TEST BUTTON during network check at the time of turning the power on or exiting from the test mode. If anyone of the linked machines uses the test mode during network check, all other Seats will continue network checking. Cause all of the Seats to reenter the test mode and then have all of the Seats exit from the test mode simultaneously.

TABLE 7 EXPLANATION OF TEST MODE

ITEMS	DESCRIPTION	SECTIONS
INSTALLATION OF MACHINE	When the machine is installed, perform the following: 1. Check to see that each setting is as per standard setting made at the time of shipment. 2. In the INPUT TEST mode, check each SW and VR. 3. In the OUTPUT TEST mode, check each of lamps. 4. In the MEMORY TEST mode, check ICs on the IC Board.	7 - 10, 7 - 11 7 - 6 7 - 7 7 - 3, 7 - 4
MEMORY	Choose MEMORY TEST in the MENU mode to allow the MEMORY test to be performed. In this test, PROGRAM RAMs, ROMs, and ICs on the IC Board are checked.	7 - 3, 7 - 4
PERIODIC SERVICING	Periodically perform the following: 1. MEMORY TEST 2. Ascertain each setting. 3. In the INPUT TEST mode, test the CONTROL device 4. In the OUTPUT TEST mode, check each of lamps.	7 - 10, 7 - 11 7 - 6 7 - 7
CONTROL SYSTEM	1. In the INPUT TEST mode, check each SW and VR. 2. Adjust or replace each SW and VR. 3. If the problem can not be solved yet, check the CONTROL's moves.	7 - 6 8
MONITOR	In the MONITOR ADJUSTMENT mode, check to see if the MONITOR adjustment is appropriately made.	12
IC BOARD	1. MEMORY TEST 2. In the SOUND TEST mode, check the sound related ROMs.	7 - 2 7 - 8
DATA CHECK	Check such data as game play time and histogram to adjust the difficulty level, etc	7 - 15

7 - 1 SWITCH UNIT AND COIN METER



Never touch places other than those specified. Touching places not specified can cause electric shock and short circuit.

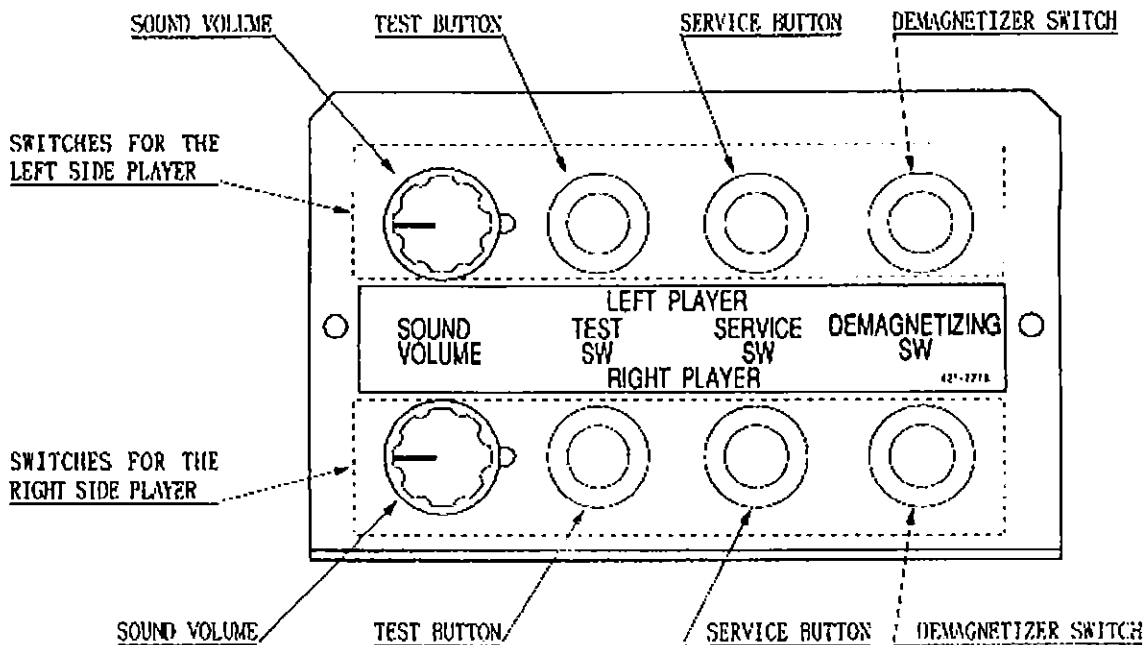


- Adjust to the optimum sound volume by considering the environmental requirements of the installation location.
- If the COIN METER and the game board are electrically disconnected, game play is not possible.

Open COIN CHUTE DOOR, and the switch unit shown appears. The function of each switch is as follows:

SWITCH UNIT

- ① **SOUND VOLUME**
Controls the speaker volume of the right/left speakers.
- ② **TEST BUTTON (TEST SW)**
For the handling of the TEST BUTTON, refer to the section on test mode.
- ③ **SERVICE BUTTON (SERVICE SW)**
Gives credits without registering on the coin meter.



7 - 2 TEST MODE

This mainly checks if the operation of the game BD is accurate, and allows for COIN ASSIGNMENTS/GAME ASSIGNMENTS setting and Projector adjustments.

The Following FIGURES/TABLES show the factory recommended settings.

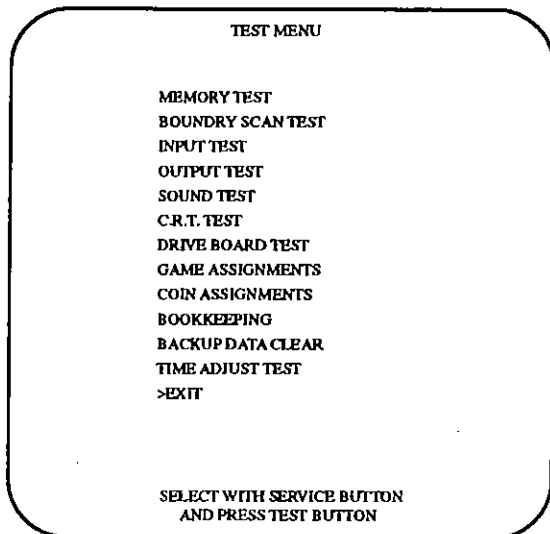


FIG. 7.2 TEST MENU

- ① Push the TEST BUTTON to cause the following TEST MENU to appear:
- ② By pushing the SERVICE BUTTON, bring the ">" mark to the desired item and press the TEST BUTTON. This will select the item's test. The View Change button #3 (yellow) instead of the test button can be used, and View Change buttons 1 (red) & 2 (blue) instead of service button (for moving arrow) can be used.
- ③ After the test is complete, move the ">" mark to "EXIT" and press the TEST BUTTON to return to game mode.

7 - 3 MEMORY TEST

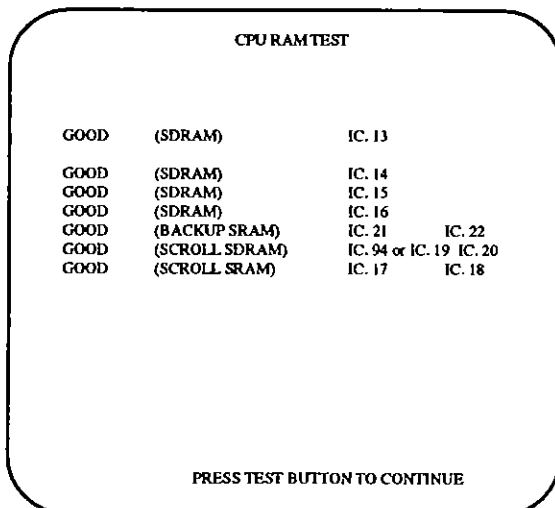


FIG. 7.3a MEMORY TEST

The MEMORY TEST mode is for checking the on-BD memory IC functioning.

"GOOD" is displayed for normal ICs and "BAD" is displayed for abnormal ICs

- When the test is completed, if the results are shown left, it is satisfactory.
- During the test, TESTING NOW is displayed on the lower part of the screen. After an elapse of 5 minutes, if the test is not finished, the IC Board may be malfunctioning. Upon finishing the test, press the Test Button to proceed to "CPU ROM TEST".

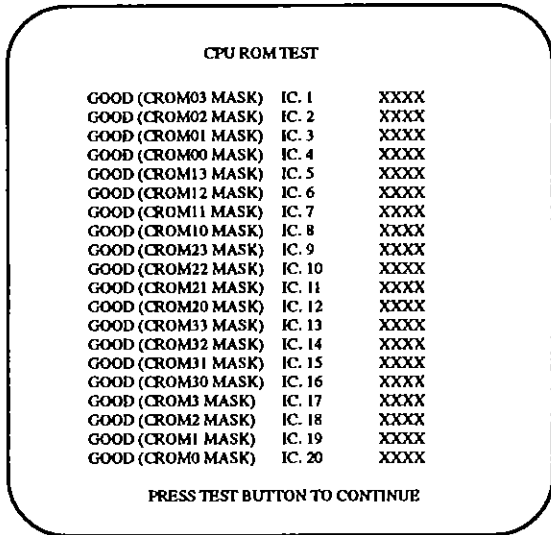


FIG. 7.3b MEMORY TEST

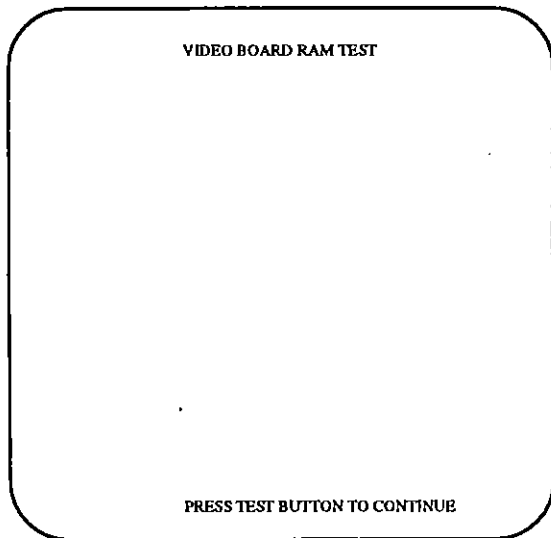


FIG. 7.3c MEMORY TEST

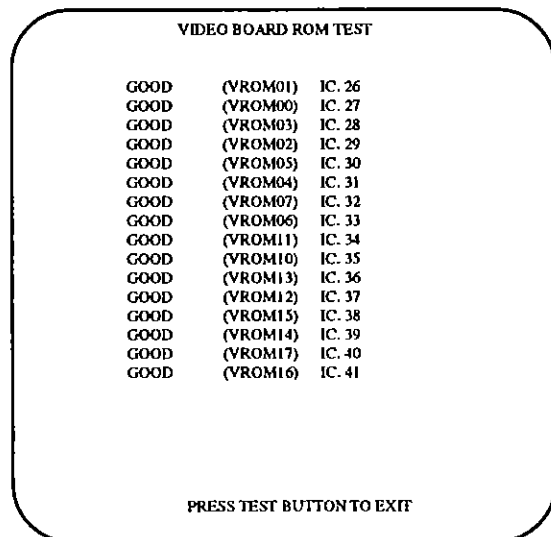


FIG. 7.3d MEMORY TEST

- During the test, the TESTING NOW message is displayed on the lower part of the screen. Upon finishing the test, if the left is displayed it is satisfactory.

After finishing the test, press the Test Button to proceed to "VIDEO RAM TEST".

- During the test, the TESTING NOW message is displayed on the lower part of the screen. Upon finishing the test, if there is no irregularity, nothing will be displayed.

After finishing the test, press the Test Button to proceed to "VIDEO BOARD ROM TEST".

- During the test, the TESTING NOW message is displayed on the lower part of the screen. After finishing the test, if the left is displayed, it is satisfactory.

After finishing the test, press the Test Button to return to the Menu Screen.

7 - 4 BOUNDRY SCAN TEST



Upon finishing the test, cause the Test Menu to return on the screen, turn the power off and turn it back on again. By doing so, the Board initialization is performed to avoid malfunctioning

Selecting "BOUNDRY SCAN TEST" causes the Game Board's testing in terms in terms of hardware to be performed automatically.

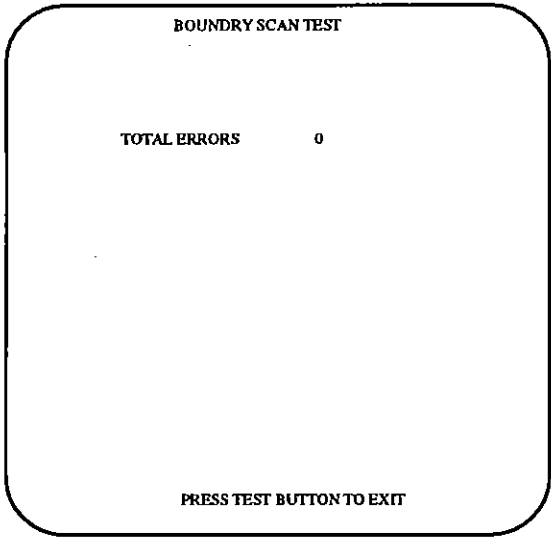


FIG. 7.4 BOUNDRY SCAN TEST

- When the test is completed, if the results are shown left, it is satisfactory.
- After finishing the test, press the Test button to have the Menu Mode return on the screen. Next, turn the power off and then turn it back on again. By so doing, the Board initialization is performed to avoid malfunctioning.
- If there is any hardware problems, error message is displayed. Please contact the offices herein stated or where the product was purchased from.

7-5 INPUT TEST

Select INPUT TEST to have the screen shown below appear and to observe the status of each switch and the value of each V.R. on the Control Panel. Periodically check the status of each switch and V.R. on this screen.

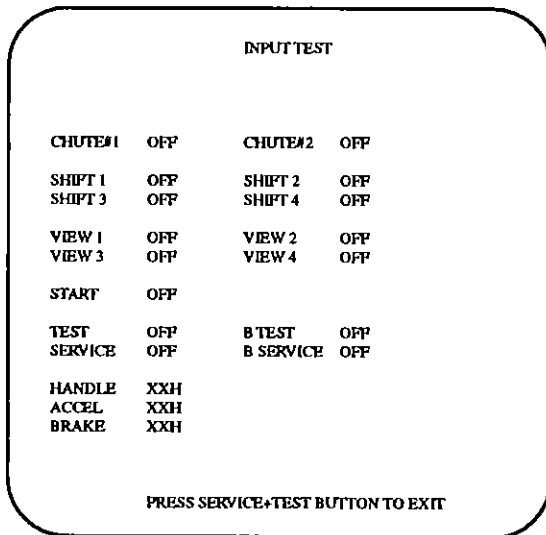
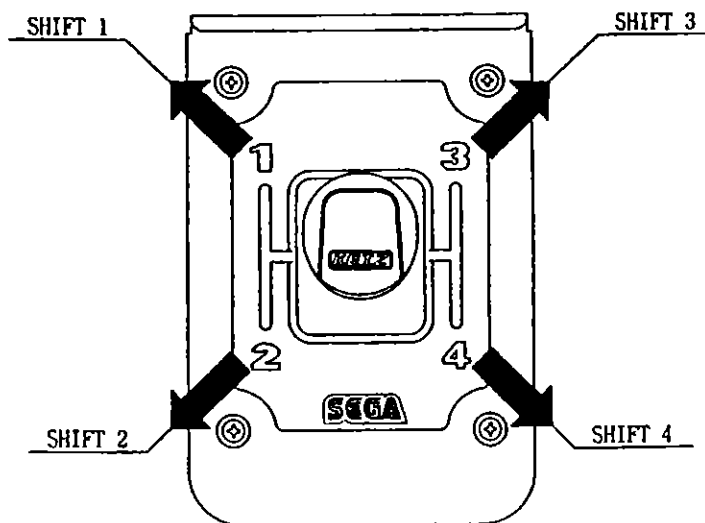


FIG. 7.5 INPUT TEST

- By pressing each switch, if the display on the right-hand side of the name of each switch changes to ON from OFF, the SW and the wiring connections are satisfactory.
- To check CHUTE 1 & CHUTE 2 coin switches, open the COIN CHUTE DOOR and insert a coin(s) in the slot.
- Press either the TEST BUTTON or the START BUTTON + VIEW CHANGE BUTTON to return to the test menu.
- GEAR POSITION indicates which shift and SHIFT LEVER is in. "N" means neutral.



7-6 OUTPUT TEST

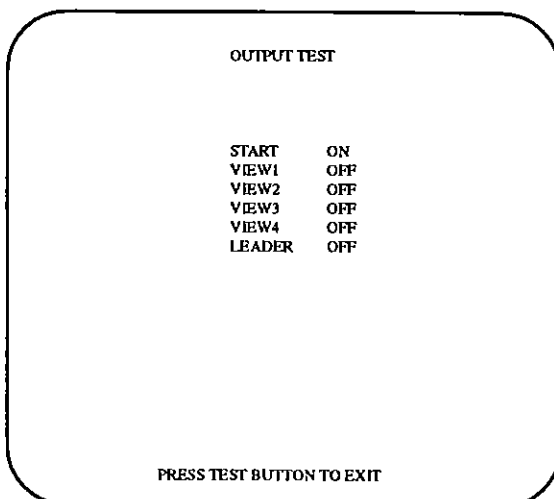


FIG. 7.6 OUTPUT TEST

Choose OUTPUT TEST to cause the following lower screen to appear. In this test, check the status of each lamp.

- Pressing the TEST BUTTON causes "ON" to be displayed and the corresponding lamp lights up. Pressing the TEST BUTTON again causes "OFF" to be displayed and the lamp goes off.
- Press the Test Button to return to the MENU MODE.

7 - 7 SOUND TEST

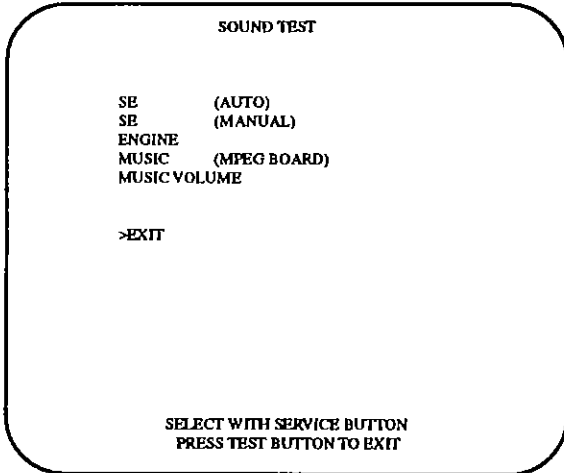


FIG. 7.7a SOUND TEST

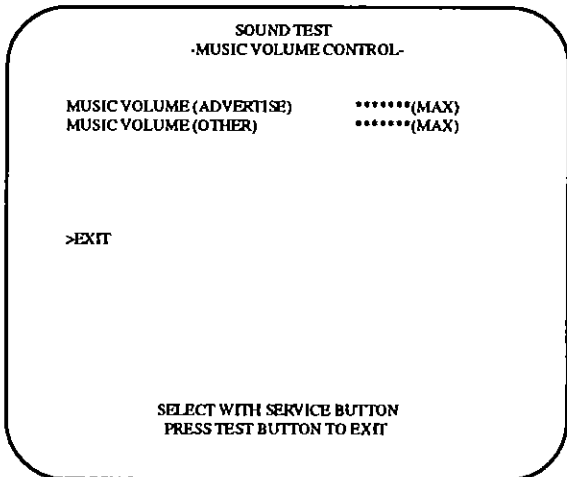


FIG. 7.7b SOUND TEST

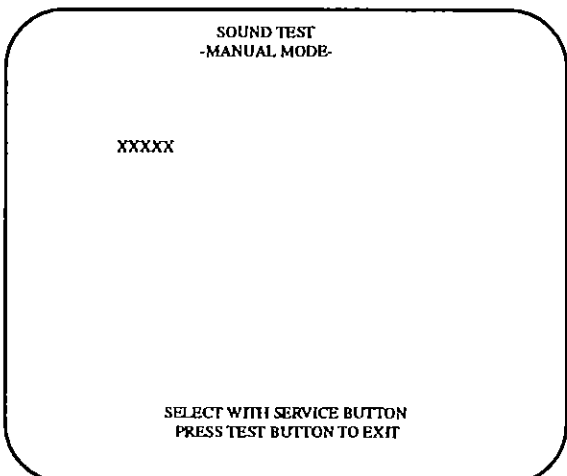


FIG. 7.7c SOUND TEST

This test mode allows each sound related board and speaker to be checked.

- Press the Service Button to select the sound to be tested, and press the Test Button to have the selected Sound Test screen appear.
- Select EXIT and press the Test Button to return to the Test Menu.
- The volume of the Background Music (sound from MPEG Board) is adjusted. The music volume emitted during the Advertise mode and Game mode can be adjusted.
- Press the Service Button to select the sound test to be set. The sound volume can be varied by pressing the Test Button.
- Choose EXIT and press the Test Button to return to the Sound Test Menu. Normally, set to MAX and adjust the sound volume with the Volume on the Switch Unit.
- Press the Service Button to select the sound to be tested, and press the Start Button to have sound emitted.
- Selecting SE (AUTO) allows sound to be emitted automatically.
- Press the Test Button to have Sound Test Menu return on the screen.

7 - 8 C.R.T. TEST

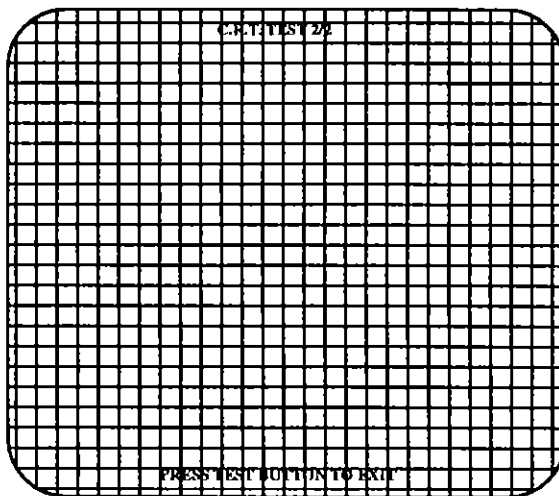
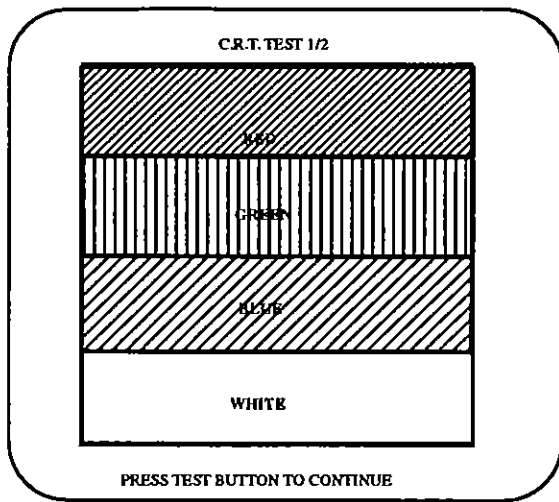


FIG. 7.8 C.R.T. TEST

7 - 9 DRIVE BOARD TEST

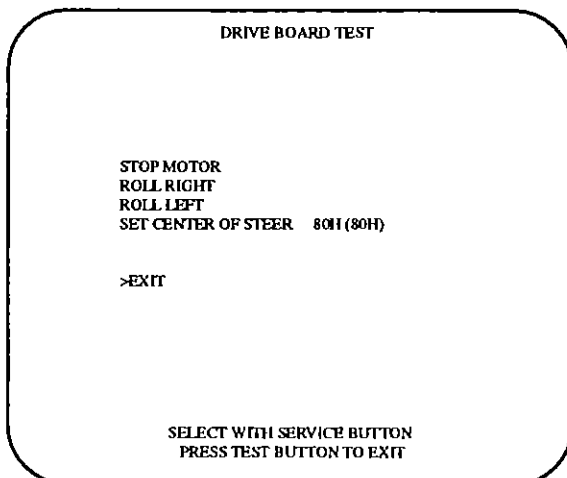


FIG. 7.9 DRIVE BOARD TEST

- Select C.R.T. TEST to cause the MONITOR to display the screen shown left, allowing MONITOR adjustment status to be checked.
- Periodically check the MONITOR adjustment status on this screen.
- The screen (1/2) enables color adjustment check to be performed. The color bar of each of the 4 colors, i.e., red, green, blue, and white, is the darkest at the extreme left and becomes brighter towards the extreme right.
- Press the TEST BUTTON to shift to the next screen (2/2).
- The screen (2/2) allows screen size and distortion to be tested.
- Check if the CROSSHATCH FRAME LINE goes out of the screen and if the crosshatch lines are distorted.
- Press the TEST BUTTON to return to the MENU mode.

Select DRIVE BOARD TEST to have the following screen displayed. This test allows the movement of motor, etc., to be checked and Steering Wheel Volume setting to be performed.

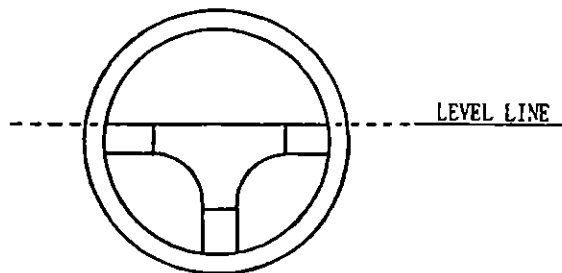
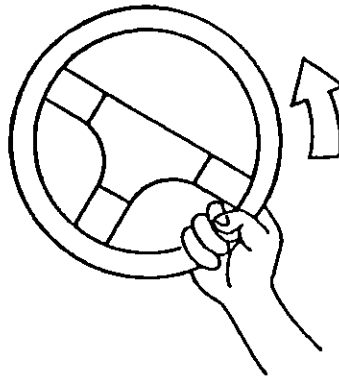
Press the Service Button to select each item and press the Test Button to cause the selected item's movements to be performed.

- **STOP MOTOR:**
Stops the load subjected to the Steering Wheel and the movements of the Motor for reaction. As such, initially selecting this item and pressing the Test Button make no difference superficially. Select ROLL RIGHT or ROLL LEFT below this item, and in the status that the motor is functioning in a certain direction, select the item and press the Test Button to stop the movements in that particular direction.
- **ROLL RIGHT:**
The motor moves so as to turn the Steering Wheel clockwise.
- **ROLL LEFT:**
The motor moves so as to turn the Steering Wheel counter clockwise.

SETTING THE VOLUME

Performs the setting of VOLUME which detects the movements of Steering Wheel as per DRIVE BOARD TEST on previous page. When the Steering Wheel Volume is adjusted or replaced, perform Volume Setting in the following procedure.

SETTING THE STEERING WHEEL VOLUME



With the Steering Wheel in the centering position, press the Test Button.

7 - 10 GAME ASSIGNMENTS

Selecting the GAME ASSIGNMENTS in the MENU mode causes the present game settings to be displayed and also the game settings changes (game difficulty, etc.) can be made. Each item displays the following content.

SETTING CHANGE PROCEDURE

- ① Press the SERVICE BUTTON to move the ">" to the desired item.
- ② Choose the desired setting change item by using the TEST BUTTON.
- ③ To return to the MENU mode, move the arrow to EXIT and press the TEST BUTTON.

GAME ASSIGNMENTS	
COUNTRY	XXXX
>LINK ID	MASTER
CAR NUMBER	1
CABINET TYPE	TWIN
DIFFICULTY	NORMAL
ADVERTISE SOUND	ON
VOCAL	DENIS
GAME MODE	NORMAL
	BEGINNER
	ADVANCED
	EXPERT
	80%
	CAMPAIGN
MOTOR POWER	
RANKING MODE	
LOCATION NAME ENTRY	
CAMPAIGN SCHEDULE	
POINT CLEAR	
EXIT	

SELECT WITH SERVICE BUTTON
AND PRESS TEST BUTTON TO EXIT

- COUNTRY
The Country setting cannot be selected
- LINK ID
For communication play, set one seat to "MASTER" and the rest of the seats to "SLAVE". The game setting and coin setting, etc. of the MASTER seat apply to the SLAVE seats also. For non-interactive play set to "SINGLE".
- CAR NUMBER
For interactive play between 2 or more machines (cabinets), the cabinets (starting from left, facing the monitor screen) are numbered in sequential order of No. 1, No. 2, No. 3, No. 4, ... If the same number is used for 2 or more cabinets, or cabinets are numbered in an incorrect sequential order, on screen error display will appear and in this case, no activation takes place.
- CABINET TYPE
Setting of cabinet. Set to TWIN for this machine.
- DIFFICULTY
Sets the difficulty level in 4 categories, i.e., EASY, NORMAL, HARD, and HARDEST.
- ADVERTISE
Setting of sound during Advertise (ON~sound to be emitted/ OFF~sound not to be emitted),
- VOCAL
Sets the singer of the music to be played.
- GAME MODE
Sets the number of laps. The lap frequency increases in the sequential order of NORMAL (SPRINT), GRAND PRIX, 100 mile, 200 mile, 300 mile, 400 mile, and 500 mile. XXX mile is used for a special event and in this case, there is no time limit all the way up to Goal.
- MOTOR POWER
Sets the steering wheel (reaction motor) strength. When the strength is set to weak, the Cockpit swaying movement will be less.
- RANKING MODE
Sets the ranking mode which has two types, i.e., NORMAL and CAMPAIGN. Setting to CAMPAIGN allows points to be awarded according to the player's results and activities per race, with the name registered at the time of name entry as well as his birthday registered in the Birthday Input Mode as the password to recognize the player's identity. From the next play onward, extra points will be awarded when the name and birthday are inputted after game over.
- LOCATION NAME ENTRY
Setting the ranking mode to CAMPAIGN allows the Location Name set in this item to be displayed during advertise. The name can be inputted in 2 lines by using a maximum of 32 characters. Move the arrow with the Service Button and select the setting with the Test button.
- CAMPAIGN SCHEDULE
Sets the start and end dates of campaign. The period set in this item and Location Name inputted in the LOCATION NAME ENTRY are displayed in the Advertise mode. Before setting in this mode, ensure that the date and time are correct by TIME ADJSUT in the Test mode. Move the arrow with the Service button and select the setting with the Test button.
- POINT CLEAR
Clears (resets) all of the player names and points shown in the RANKING MODE CAMPAIGN.

7 - 11 COIN ASSIGNMENTS

The "COIN ASSIGNMENTS" mode permits you to set the start number of credits, as well as the basic numbers of coins and credits. This mode expresses "how many coins correspond to how many credits."

SETTING CHANGE PROCEDURE



IMPORTANT!

Setting changes cannot be stored unless the TEST BUTTON is pressed while the arrow is on EXIT.

- ① Press the SERVICE BUTTON to move the arrow to the desired item.
- ② Choose the desired setting change item by using the TEST BUTTON.
- ③ To return to the MENU mode, move the arrow to EXIT and press the TEST BUTTON.

7 - 11 COIN ASSIGNMENTS

COIN ASSIGNMENTS

COIN/CREDIT SETTING	#1	
CHUTE#1	1 COIN	1 CREDIT
CHUTE#2	1 COIN	1 CREDIT

ADDITIONAL SETTING
MANUAL SETTING

>EXIT

SELECT WITH SERVICE BUTTON
AND PRESS TEST BUTTON

COIN ASSIGNMENTS
(ADDITIONAL SETTING)

>CREDIT TO START	4 CREDITS (1 ~ 16 CREDITS)
ADDITION	2 CREDITS (1 ~ 8 CREDITS)
BEGINNER	+2 LAPS (+1 ~ +16 LAPS)
ADVANCED	+1 LAP (+1 ~ +8 LAPS)
EXPERT	+1 LAP (+1 ~ +4 LAPS)

>EXIT

SELECT WITH SERVICE BUTTON
AND PRESS TEST BUTTON

- **COIN/CREDIT SETTING**
Sets the CREDITS increase increment per coin insertion. There are 27 settings from #1 to #27, expressed in XX CREDIT as against XX COINS inserted. (TABLE 7.11a, 7.11b) #27 refers to FREE PLAY. When the COIN CHUTE TYPE is set to INDIVIDUAL, there are some setting numbers not displayed as indicated in TABLE 7.11b.
- **MANUAL SETTING**
This allows credit increase setting as against coin insertion to be further set in the manner finer than COIN/CREDIT SETTING (refer to TABLE 7.11c).
- **ADDITIONAL SETTING**
Displayed only when COUNTRY is set to USA, and when GAME MODE is set to NORMAL in the GAME ASSIGNMENTS, and allows for the setting. Inserting a certain number of coins in addition to the default coin immediately before the game starts allows extra play beyond specified number of laps. The limited number of coins in total for additional credit insertion is 24. Entering the Test Mode or turning power off will not reset the credits.

TABLE 7.11a COIN/CREDIT SETTING (COIN CHUTE COMMON TYPE)

SETTING	FUNCTIONING OF CHUTE#1	
SETTING #1	1 COIN	1 CREDIT
SETTING #2	1 COIN	2 CREDITS
SETTING #3	1 COIN	3 CREDITS
SETTING #4	1 COIN	4 CREDITS
SETTING #5	1 COIN	5 CREDITS
SETTING #6	1 COIN	2 CREDITS
SETTING #7	1 COIN	5 CREDITS
SETTING #8	1 COIN	3 CREDITS
SETTING #9	1 COIN	4 CREDITS
SETTING #10	1 COIN	5 CREDITS
SETTING #11	1 COIN	6 CREDITS
SETTING #12	2 COINS	1 CREDIT
SETTING #13	1 COIN	1 CREDIT
SETTING #14	1 COIN	2 CREDITS
SETTING #15	1 COIN	1 CREDIT
	2 COINS	3 CREDITS
SETTING #16	1 COIN	3 CREDITS
SETTING #17	3 COINS	1 CREDIT
SETTING #18	4 COINS	1 CREDIT
SETTING #19	1 COIN	1 CREDIT
	2 COINS	2 CREDITS
	3 COINS	3 CREDITS
	4 COINS	5 CREDITS
SETTING #20	1 COIN	5 CREDITS
SETTING #21	5 COINS	1 CREDIT
SETTING #22	1 COIN	2 CREDITS
SETTING #23	2 COINS	1 CREDIT
	4 COINS	2 CREDITS
	5 COINS	3 CREDITS
SETTING #24	1 COIN	3 CREDITS
SETTING #25	1 COIN	1 CREDIT
	2 COINS	2 CREDITS
	3 COINS	3 CREDITS
	4 COINS	4 CREDITS
	5 COINS	6 CREDITS
SETTING #26	1 COIN	1 CREDITS
SETTING #27	FREE PLAY	

MANUAL SETTING

Selecting MANUAL SETTING in the COIN ASSIGNMENTS mode displays the following screen.

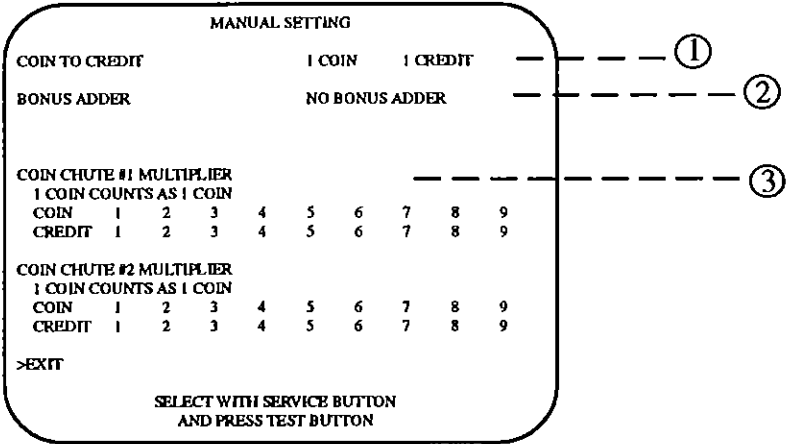


FIG. 7.11b MANUAL SETTING

- ① Determines Coin/Credit setting.
- ② This sets how many coins should be inserted to obtain one Service Coin.
- ③ This sets how many tokens one coin represents.

Table 7.11c MANUAL SETTING

COIN TO CREDIT	1 COIN	1 CREDIT
	2 COINS	1 CREDIT
	3 COINS	1 CREDIT
	4 COINS	1 CREDIT
	5 COINS	1 CREDIT
	6 COINS	1 CREDIT
	7 COINS	1 CREDIT
	8 COINS	1 CREDIT
	9 COINS	1 CREDIT
BONUS ADDER	NO BONUS ADDER	
	2 COINS GIVE 1 EXTRA COIN	
	3 COINS GIVE 1 EXTRA COIN	
	4 COINS GIVE 1 EXTRA COIN	
	5 COINS GIVE 1 EXTRA COIN	
	6 COINS GIVE 1 EXTRA COIN	
	7 COINS GIVE 1 EXTRA COIN	
	8 COINS GIVE 1 EXTRA COIN	
	9 COINS GIVE 1 EXTRA COIN	
COIN CHUTE MULTIPLIER	1 COIN COUNTS AS 1 COIN	
	1 COIN COUNTS AS 2 COINS	
	1 COIN COUNTS AS 3 COINS	
	1 COIN COUNTS AS 4 COINS	
	1 COIN COUNTS AS 5 COINS	
	1 COIN COUNTS AS 6 COINS	
	1 COIN COUNTS AS 7 COINS	
	1 COIN COUNTS AS 8 COINS	
	1 COIN COUNTS AS 9 COINS	

7 - 12 BOOKKEEPING

Choosing BOOKKEEPING in the MENU mode displays the data of operating status up to the present are shown on 2 pages. Press the TEST BUTTON to proceed to PAGE 2/2.

BOOKKEEPING		PAGE1/2
COIN CHUTE #1		XXXXXXXXXXXX
COIN CHUTE #2		XXXXXXXXXXXX
TOTAL COINS		XXXXXXXXXXXX
COIN CREDITS		XXXXXXXXXXXX
SERVICE CREDITS		XXXXXXXXXXXX
TOTAL CREDITS		XXXXXXXXXXXX
NUMBER OF GAMES		XXXXXXXXXXXX
TOTAL TIME		XXXXXXXXXXXX
PLAY TIME		XXXXXXXXXXXX
AVERAGE PLAY	TIME	XXMXXS
LONGEST PLAY	TIME	XXMXXS
SHORTEST PLAY	TIME	XXMXXS

PRESS TEST BUTTON TO CONTINUE

FIG. 7.12a BOOKKEEPING (1/2)

BOOKKEEPING PAGE 2/2			
TIME HISTOGRAM			
COURSE	BEGINNER	ADVANCED	EXPERT
-2M29S	0	0	0
2M30S-2M44S	0	0	0
2M45S-2M59S	0	0	0
3M00S-3M14S	0	0	0
3M15S-3M29S	0	0	0
3M30S-3M44S	0	0	0
3M45S-3M59S	0	0	0
4M00S-4M14S	0	0	0
4M15S-4M29S	0	0	0
4M30S-	0	0	0

PRESS TEST BUTTON TO EXIT

FIG. 7.12b BOOKKEEPING (2/2)

7 - 13 BACKUP DATA CLEAR

BACKUP DATA CLEAR	
YES (CLEAR)	
>NO (CANCEL)	

SELECT WITH SERVICE BUTTON
PRESS TEST BUTTON TO EXIT

FIG. 7.13 BACKUP DATA CLEAR

- **COIN CHUTE#*:**
Number of coins put in each Coin Chute.
- **TOTAL COINS:**
Total number of activations of Coin Chutes.
- **COIN CREDITS:**
Number of credits registered by inserting coins.
- **SERVICE CREDITS:**
Credits registered by the SERVICE BUTTON.
- **TOTAL CREDITS:**
Total number of credits (COIN CREDITS+SERVICE CREDITS).
- **TOTAL TIME:**
The total energized time.

On page (2/2), each play frequency is displayed. When setting difficulty levels, the frequency can be referred to as a standard.

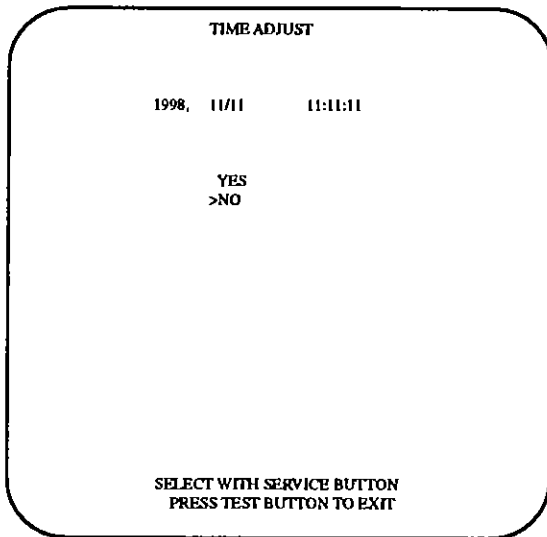
When in the PAGE 2/2 mode, press the TEST BUTTON to return to the MENU mode.

Clears the contents of BOOKKEEPING and high score player ranking entry.

- When clearing, bring the arrow to "YES" and when not clearing, to "NO", by using the SERVICE BUTTON, and push the TEST BUTTON.
- When the data has been cleared, "COMPLETED" will be displayed. Bring the arrow to "NO" and press the TEST BUTTON to cause the MENU mode to return on to the screen.
- Note that the contents of the GAME SETTING, COIN SETTING, and BOARD SETTING are not affected by BACKUP DATA CLEAR operation.

7 - 14 TIME ADJUST

This Test Mode allows the date (year/month/day) to be set. When turning power on, if the clock has incorrect data, or if the voltage from the lithium battery is insufficient, movements will stop in the Pre-Advertise on-screen start-up status, and in this case, appropriate clock input or battery replacement is required. Although pressing the Start Button allows you to proceed, if the unit being tested is set to MASTER or SINGLE, the RANKING MODE (CAMPAIGN) will compulsorily be changed to RANKING MODE (NORMAL). Perform TIME ADJUST in the following procedure:
Note that SEGA will take care of battery replacment. Please contact where you purchased the product from.



- Bring the arrow to the date with the Service Button.
- Select the item to be adjusted by using the Service Button (the item being selected blinks).
- Press the Test Button to increase the number and select.

FIG. 7.14 TIME ADJUST

8. HANDLE MECHA

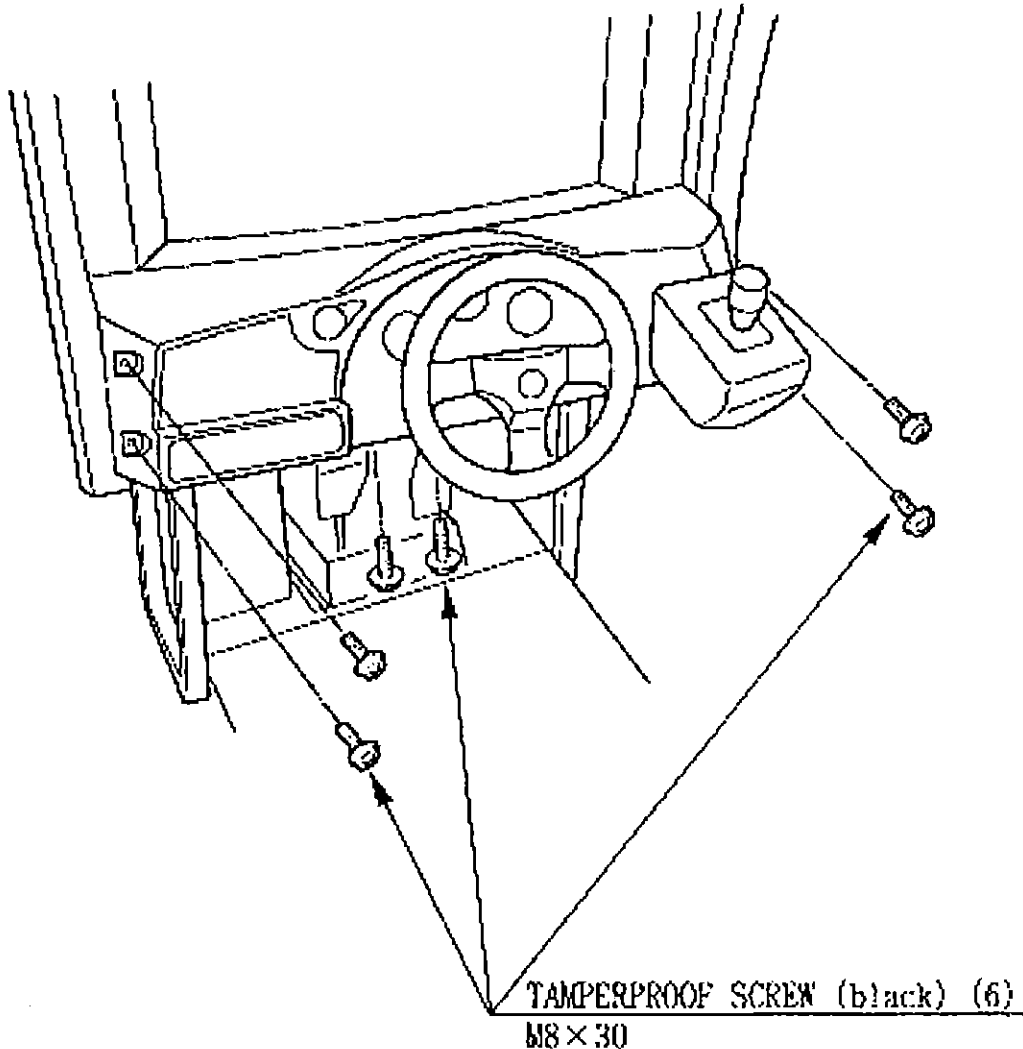


- In order to prevent an electric shock and short circuit, be sure to turn power off before performing work by touching the interior parts of the product.
- Be careful so as not to damage wirings. Damaged wiring can cause an electric shock or short circuit accident.

In the test mode, if the steering wheel's VR variations are not within the allowable range, the VR installation position adjustments or VR replacement is needed. Also, be sure to apply grease to the VR gear portion once every 3 months.

8 - 1 REMOVING THE CONTROL PANEL

- ① Turn the power switch off.
- ② Remove a total of 4 tamperproof screws from both sides of the control panel's front.
- ③ Remove the two tamperproof screws from the underside of the control panel.
- ④ Wiring connectors are connected inside the control panel. Carefully draw the control panel in a manner so as not to damage wiring.
- ⑤ Disconnect the wiring connector.



8 - 2 REPLACING AND ADJUSTING THE HANDLE'S VR



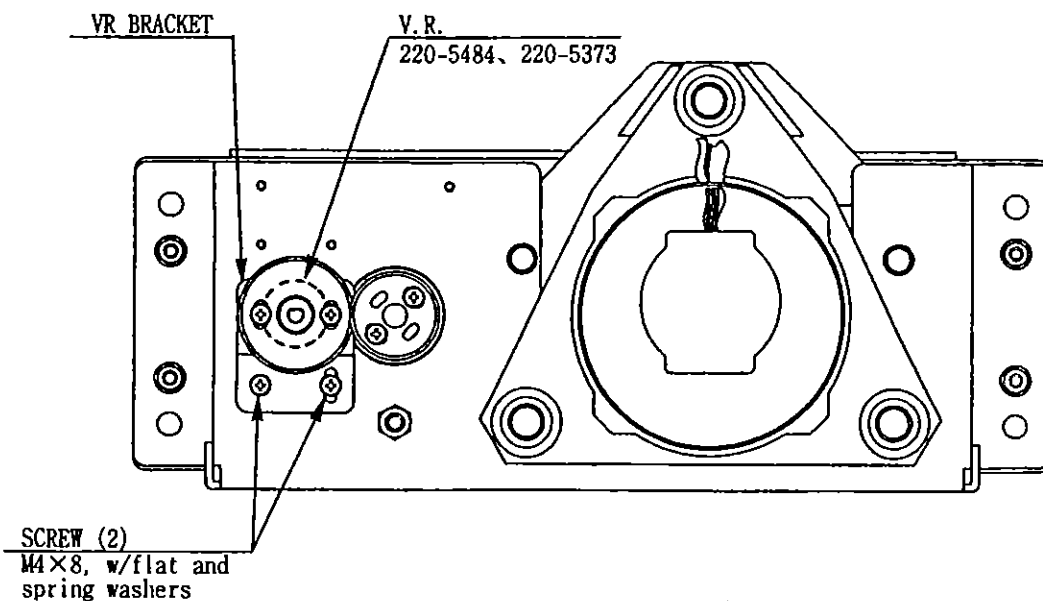
- Never touch places other than those specified. Touching places not specified can cause electric shock and/or short circuit.
- After the replacement or adjustment of the VR, be sure to set the variable value of the VR in the test mode's Volume Setting.

REPLACING THE VOLUME

- ① Turn off the power.
- ② Disconnect the connector.
- ③ Take out the 2 screws which secure the volume Bracket and remove the Volume Bracket.
- ④ Take out the 2 screws to remove the Volume Gear and replace the Volume.
- ⑤ After replacing the Volume, perform Volume setting in the Volume Setting Mode.

ADJUSTING THE VOLUME

- ① In the Test Mode, have the Volume value indicating screen displayed.
- ② Loosen the 2 screws which secure the Volume Bracket to disengage Gear Mesh.
- ③ With the Steering Wheel in the centering position, cause gears to be engaged in the manner so that the Volume Shaft is in the status shown below.
- ④ Fasten screws which secure the Volume Bracket.
- ⑤ Perform Volume setting as per the Volume Setting Mode.



8 - 3 GREASING

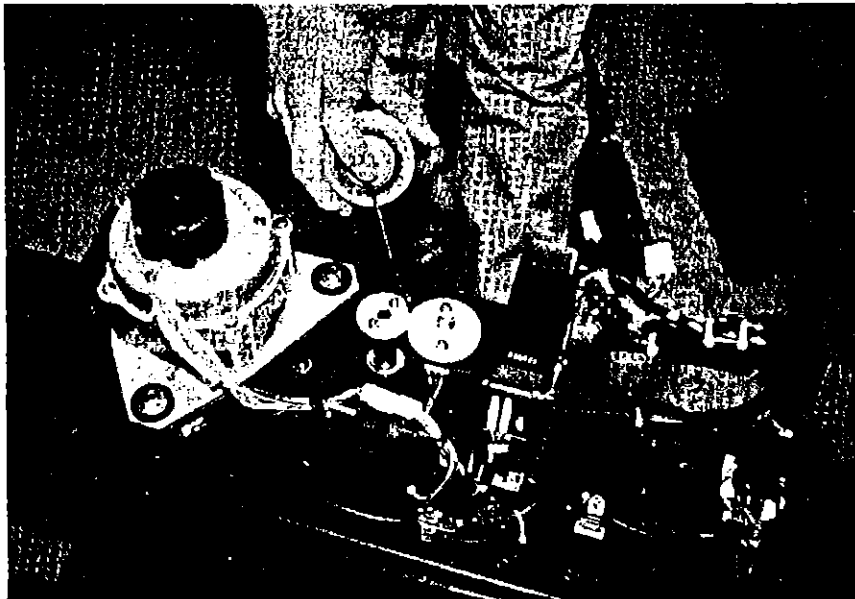


WARNING!

- Never touch places other than those specified. Touching places not specified can cause electric shock and/or short circuit.
- After the replacement or adjustment of the VR, be sure to set the variable value of the VR in the test mode's Volume Setting.

Apply greasing to the Volume gear mesh portion every 3 months.

For spray greasing, use Grease Mate (Part No. 090-0066).



9. SHIFT LEVER



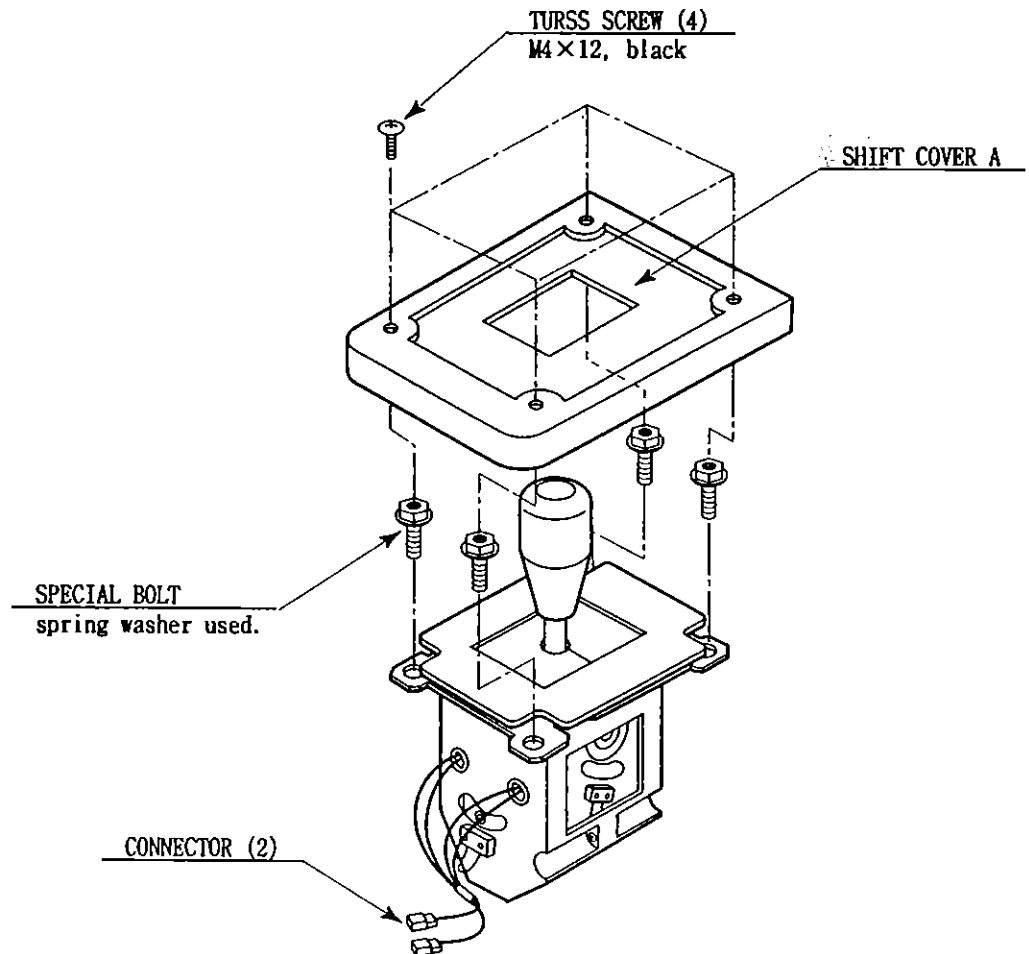
CAUTION!

- In order to prevent electric shock and short circuit, be sure to turn off the power before performing work on the interior parts of the product.
- Be careful not to damage wiring. Damaged wiring can cause electric shock or short circuit.
- Do not touch places other than those specified. Touching places other than those specified can cause an electric shock or short circuit accident.

If the Shift Lever operation is not satisfactory, remove the Shift Lever in the following procedure and replace the microswitch.

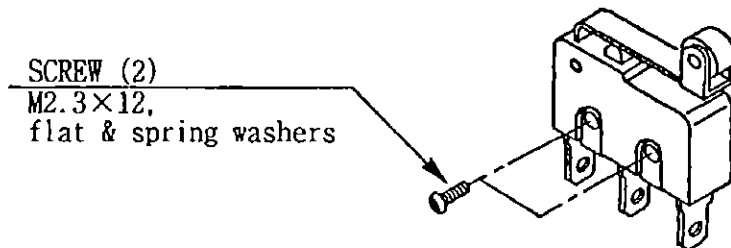
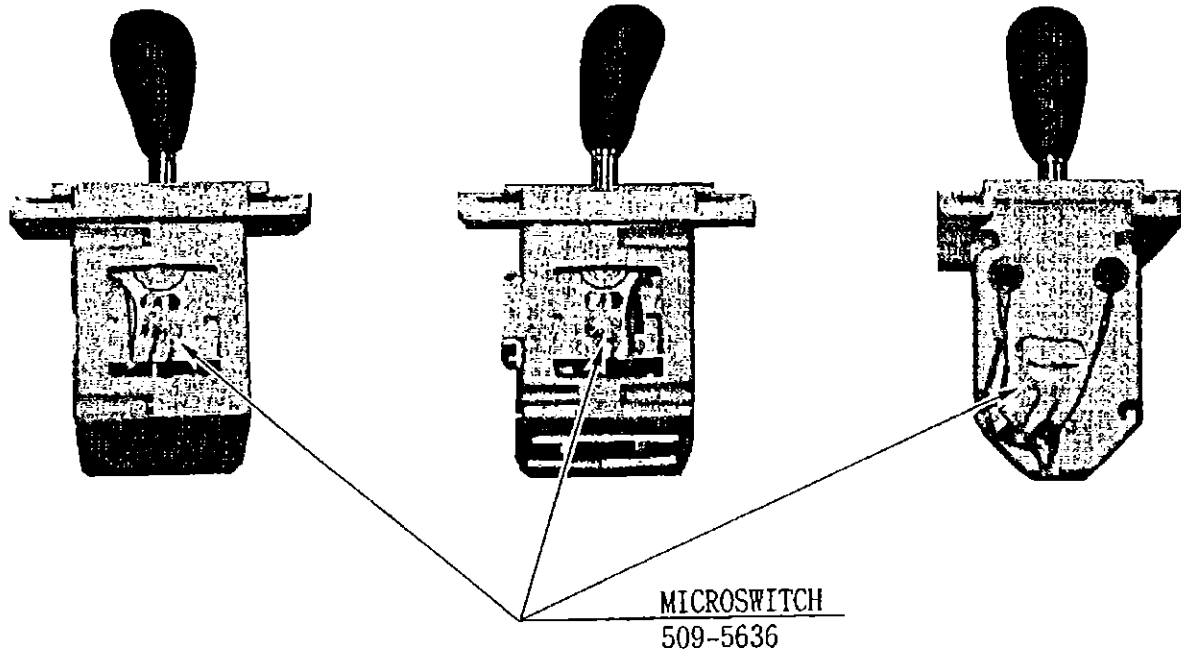
9 - 1 REMOVING THE SHIFT LEVER

- ① Turn Power off.
- ② Take off the 4 screws and remove SHIFT COVER A.
- ③ Take out the 4 SPECIAL BOLTS and pull the SHIFT LEVER UNIT upward by paying careful attention so as not to damage the wiring.
- ④ Disconnect the 2 connectors to allow the unit to be removed.



9 - 2 SWITCH REPLACEMENT

Each microswitch is secured with 2 screws. Remove the 2 screws and replace the Microswitch.



After replacing the Switch, check to see if the switch is inputted as per Shift Lever operation in the Test Mode.

10. ACCEL & BRAKE(S)



- In order to prevent an electric shock and short circuit, be sure to turn power off before performing work by touching the interior parts of the product.
- Be careful so as not to damage wirings. Damaged wiring can cause an electric shock or short circuit accident.
- Do not touch places other than those specified. Touching places not specified can cause an electric shock or short circuit accident.

If Accel and Brake operation is not satisfactory, adjustment of Volume installation position or Volume replacement is needed. Also, be sure to apply greasing to the gear mesh portion once every three months.

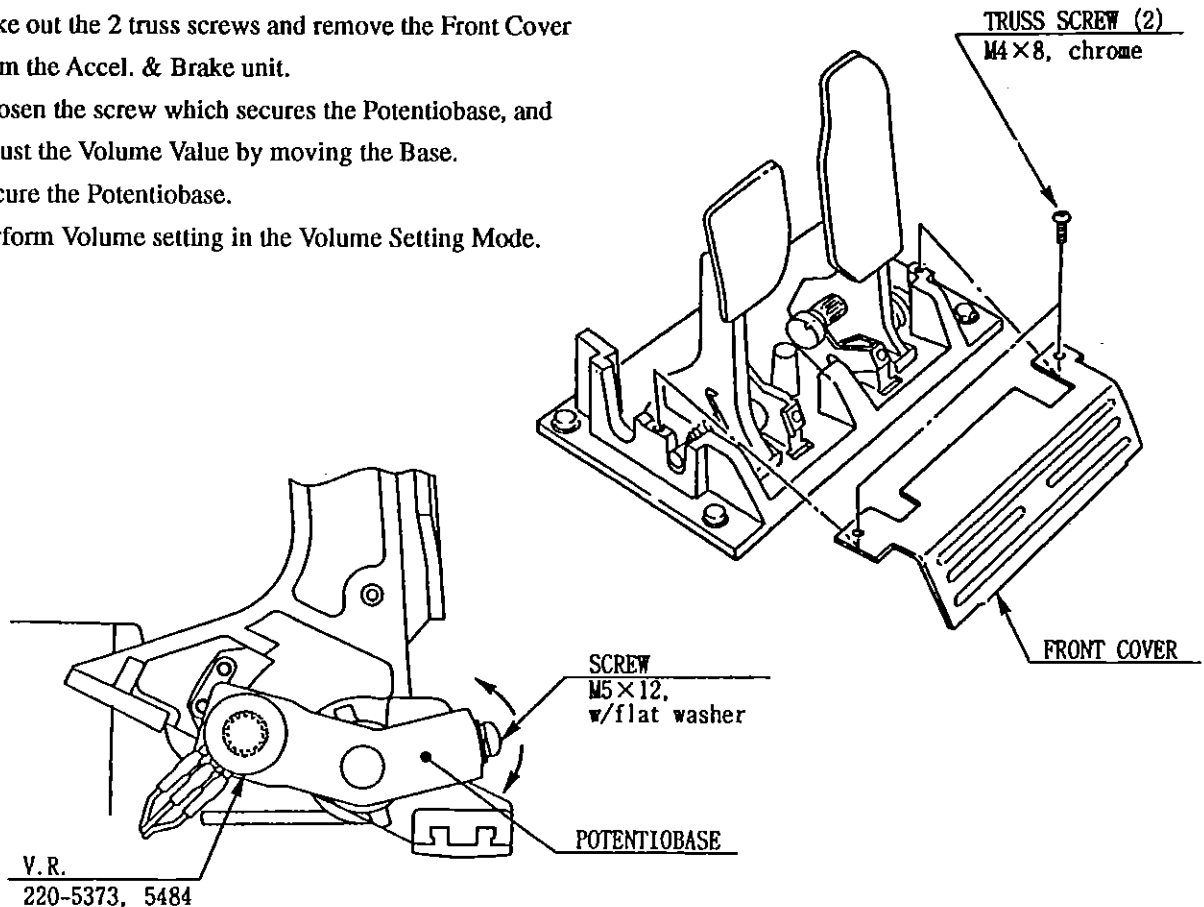
10 - 1 ADJUSTING AND REPLACING THE V.R.

	When released:		When stepped on:
ACCEL. :	Under 30 H	↔	Over COH
BRAKE :	Under 30 H	↔	Over COH

Check Volume values in the Test Mode.

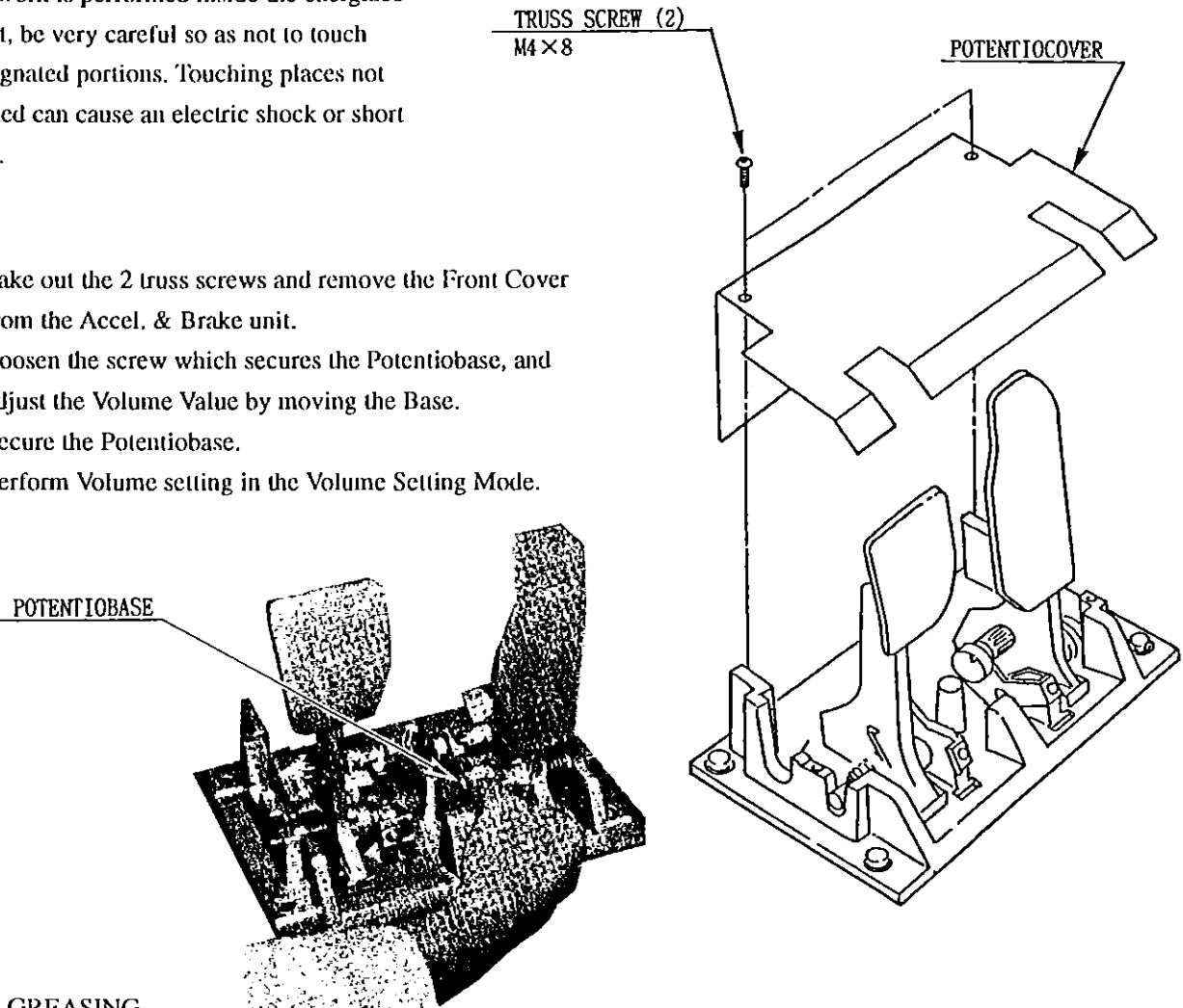
Since work is performed inside the energized cabinet, be very careful so as not to touch undesignated portions. Touching places not specified can cause an electric shock or short circuit.

- ① Take out the 2 truss screws and remove the Front Cover from the Accel. & Brake unit.
- ② Loosen the screw which secures the Potentiobase, and adjust the Volume Value by moving the Base.
- ③ Secure the Potentiobase.
- ④ Perform Volume setting in the Volume Setting Mode.



Check Volume values in the Test Mode.
Since work is performed inside the energized cabinet, be very careful so as not to touch undesignated portions. Touching places not specified can cause an electric shock or short circuit.

- ① Take out the 2 truss screws and remove the Front Cover from the Accel. & Brake unit.
- ② Loosen the screw which secures the Potentiobase, and adjust the Volume Value by moving the Base.
- ③ Secure the Potentiobase.
- ④ Perform Volume setting in the Volume Setting Mode.



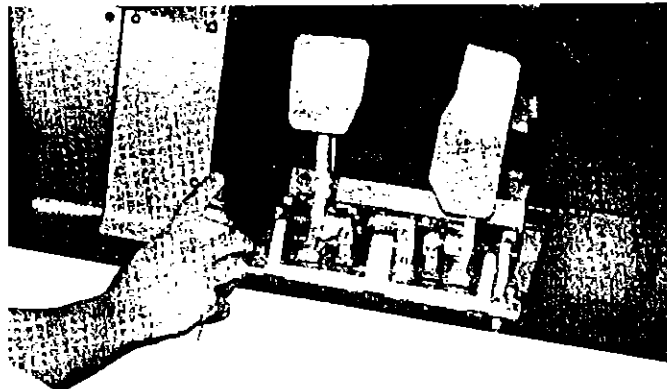
10 - 2 GREASING



IMPORTANT!

Be sure to use designated grease. Using undesignated grease can cause parts damage.

Once every 3 months, apply greasing to the Spring and Gear Mesh portion. For spray greasing, use GREASE MATE (PART No. 090-0066).



11 . COIN SELECTOR

HANDLING THE COIN JAM

If the coin is not rejected when the REJECT BUTTON is pressed, open the coin chute door and open the selector gate. After removing the jammed coin, put a normal coin in and check to see that the selector correctly functions.

CLEANING THE COIN SELECTOR

The coin selector should be cleaned once every 3 months. When cleaning, follow the procedure below:

- ① Turn the power for the machine OFF. Open the coin chute door.
- ② Open the gate and dust off by using a soft brush (made of wool, etc.).
- ③ Remove and clean smears by using a soft cloth dipped in water or diluted chemical detergent and then squeezed dry.
- ④ Remove the CRADLE. When removing the retaining ring(E-ring), be very careful so as not to bend the shaft.
- ⑤ Remove stain from the shaft and pillow portions by wiping off with a soft cloth, etc.
- ⑥ After wiping as per #5 above, further apply a dry cloth, etc. to cause the coin selector to dry completely.

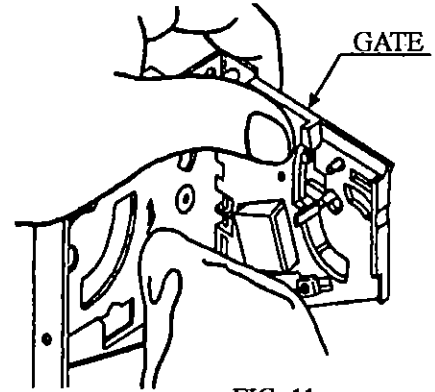


FIG. 11a

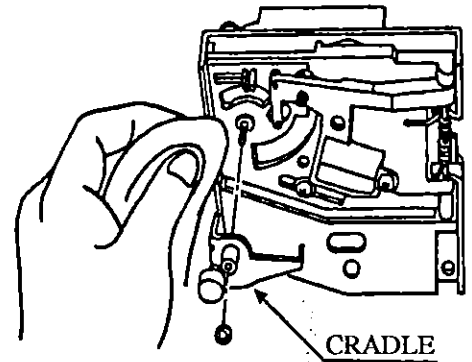


FIG.11b



IMPORTANT!

- Never apply machine oil, etc. to the coin selector
- After cleaning the Coin Selecting, Insert a regular coin in the normal working status and ensure that the Selector correctly functions.

COIN INSERTION TEST

Once a month, when performing the COIN SW TEST, simultaneously check the following:

- Does the Coin Meter count satisfactorily?
- Does the coin drop into the Cashbox correctly?
- Is the coin rejected when inserted while keeping the REJECT BUTTON is pressed down?

Insert a coin while keeping the Reject Button pressed down and check if it is rejected.

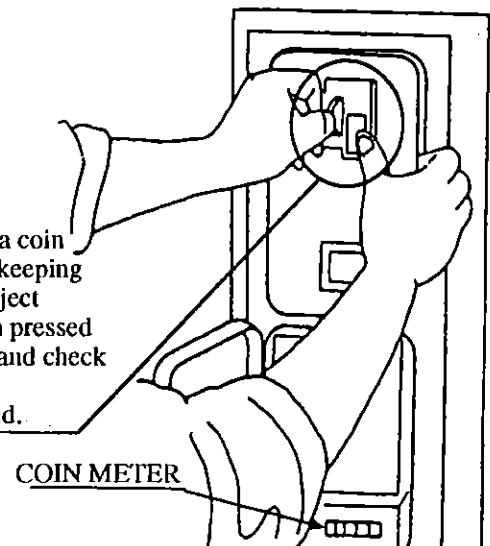


FIG. 11c

OPTIONAL DOLLAR BILL ACCEPTOR

● THE COIN DOOR ASSEMBLY USED ON DAYTONA 2 STD Version COMES EQUIPPED TO ACCEPT A DOLLAR BILL ACCEPTOR. ALL NEEDED WIRING CONNECTIONS ARE CONVIENENTLY LOCATED INSIDE THE GAME FOR THIS APPLICATION.

● THE COIN DOOR CAN ACCCOMMODATE THE FOLLOWING VALIDATORS:

HOLE POSITION#1 (FORWARD-MOST POSITION)	Mars 2000 series
HOLE POSITION#2	Mars 2000 series DBV45 (JCM)
HOLE POSITION #3	CURRENTLY NOT USED
HOLE POSITION #4	DSI01*

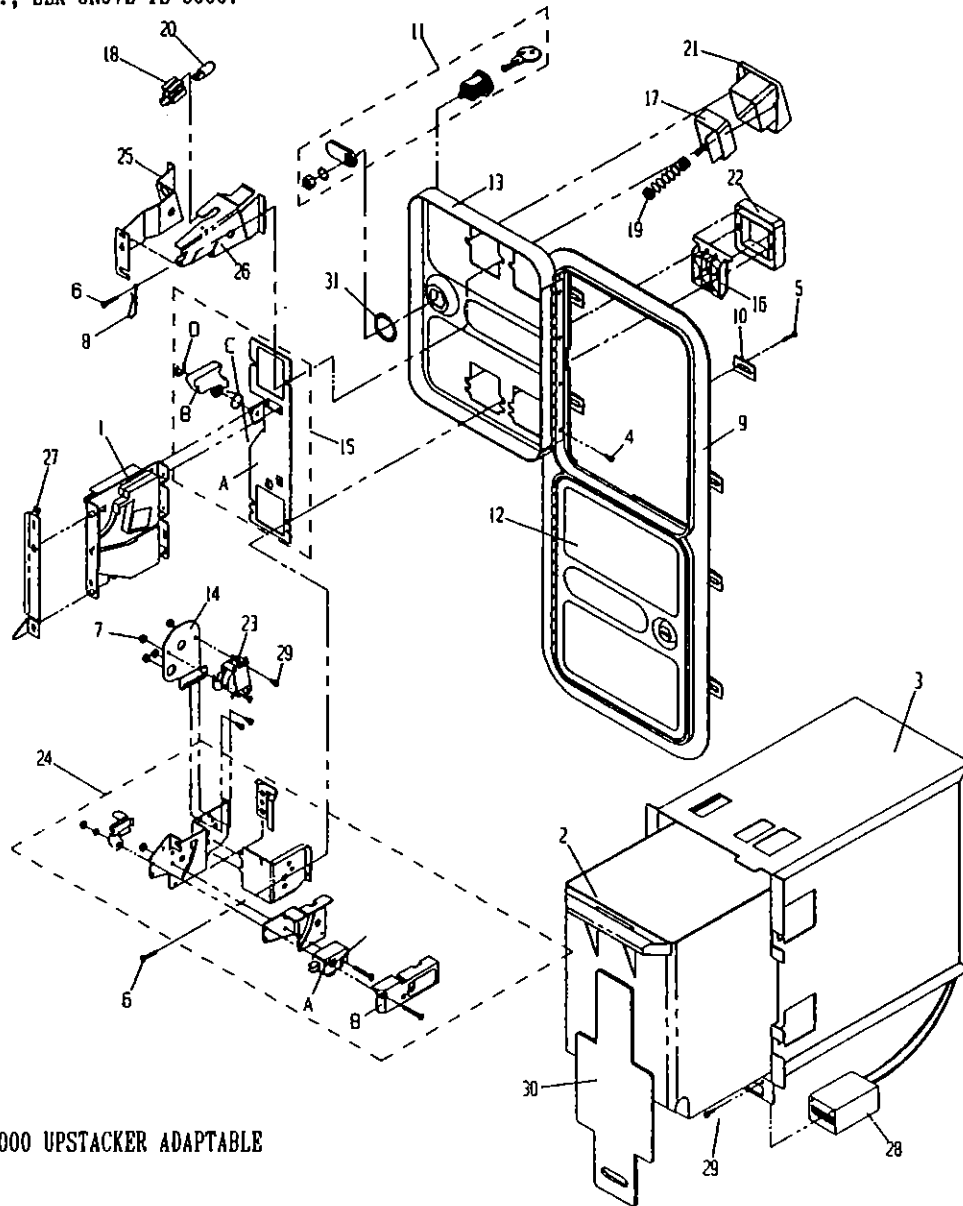
*The back flange on the chute can be removed for hold position #4. If the flange is not removed, it may interfere with the back of the cabinet.

The frame and cashbox enclosure on this coindoor has been modified to accomodate a Mars 2000 series upstacker. A 2000 series stacker can be added by simply removing the top two entry door and replacing it with a one entry door with a cut-out for a stacker. This one entry door can be ordered through Coin Controls or one of Coin Controls authorized distributors. The part number is 91-4000-01. The Mars stacker can be obtained through an authorized Mars distibutor.

COIN CONTROLS INTERNATIONAL

1850 HOWARD ST., ELK GROVE IL 60007
(847) 228-1810

OVER/UNDER TWO ENTRY COIN DOOR*



* WARS SERIES 2000 UPSTACKER ADAPTABLE

PART #	DESCRIPTION	COST	PART #	DESCRIPTION	COST	PART #	DESCRIPTION	COST
1)	12-4050-XX S-10 ACCEPTOR	19.50	16)	91-1109-16 REJECT FLAP NYLON, BLACK	2.70	28)	23-1011-00 12V DC METER	8.50
	12-4150-011 S-7 US 1.25	12.00	17)	91-1113-01 ENTRY/REJECT BUTTON 25c	4.45		23-1103-00 4.5V DC METER	8.50
2)	20-4177-00 PLASTIC CASHBOX	7.40	18)	91-1117-00 LAMPHOLDER	1.40	29)	90-1032-01 METER & LOCKOUT SCREW	.25
3)	20-4189-00 ENCLOSURE, Z2000	27.50	19)	91-1121-00 E/R BUTTON SPRING	.80	30)	22-1400-00 LOCKING BAR	7.00
4)	90-1002-00 HINGE SCREW	.25	20)	91-1118-00 6Y LAMP WEDGE BASE	.95	31)	90-1019-00 3/4" LOCKWASHER	.25
5)	90-1003-00 CLAMP SCREW	.95	21)	91-1311-16 BOTTOM BEZEL BLACK	2.70			
6)	90-1017-00 SCREW BEZEL NYLON	.25	22)	91-1312-16 REJECT BEZEL BLACK	2.70			
7)	90-1206-02 14-40 KEP NUT	.25	23)	91-2125-00 12V LOCKOUT COIL ASSEMBLY	12.85			
8)	90-1300-00 KEYBOOK	.35	24)	91-2216-16 MICROSWITCH ASSEMBLY	15.00			
9)	91-0508-16 FRAME	30.00	24A)	91-1116-16 MICROSWITCH BLACK	5.40			
10)	91-0506-00 CLAMP	.45		91-1116-11 MICROSWITCH WHITE	5.40			
11)	91-0547-00 DOUBLE D CAN LOCK	5.25		91-1116-10 MICROSWITCH RED	5.40			
12)	91-0603-16 BLACK VINI DOOR	8.40	24B)	91-1125-00 MICROSWITCH PLASTIC COVER	.85			
13)	91-0604-16 2 ENTRY UPPER DOOR	10.00	25)	92-1002-01 COIN INLET LAMP SIDE	1.80			
14)	91-1008-039 LOCKOUT BRACKET	4.30	26)	92-1002-021 COIN INLET COVER SIDE	1.80			
15)	91-1008-107 BASEPLATE ASSEMBLY	5.00	27)	92-1002-10 HOLD DOWN BRACKET	1.50			

12. MONITOR



CAUTION!

When performing such work as installing and removing the monitor, inserting and disconnecting the external connectors to and from monitor, be sure to disconnect the power connector (plug) before starting work. Proceeding the work without following this instruction can cause electric shock or malfunctioning.

Using the monitor by converting it without obtaining a prior permission is not allowed. SEGA shall not be liable for any malfunctioning and accident caused by said conversion.

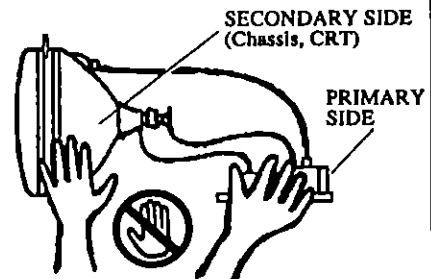


WARNING!

Primary side and secondary side

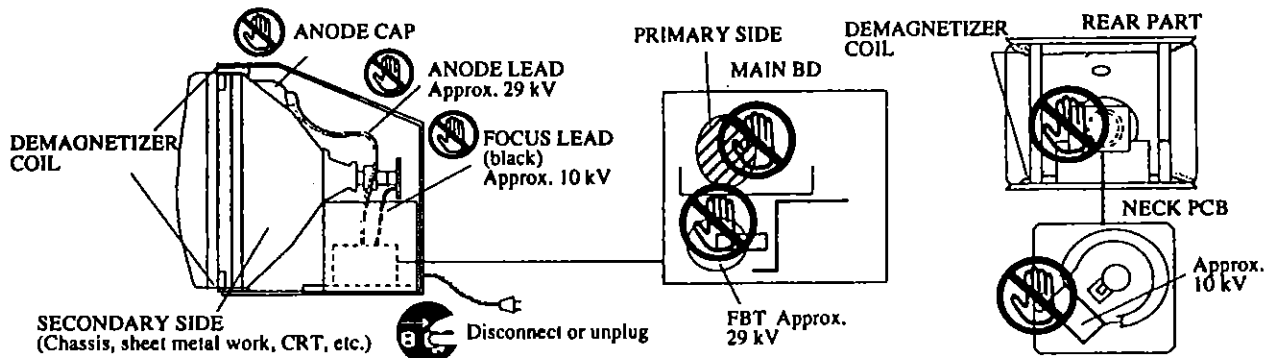
The monitor's circuit which is divided into the Primary side and secondary side, is electrically isolated. Do not touch the primary side and the secondary side simultaneously. Failing to observe the instruction can cause electric shock, and this is very dangerous.

When making monitor adjustments, use a non-conductive driver and make adjustment without touching any other part other than the Adjustment V.R. and Knob. Also, be sure not to cause a short-circuit to the Primary side and the Secondary side. If short-circuited, it can cause electric shock or malfunctioning, which is very dangerous.



High tension Voltage

Some of the parts inside the monitor are subject to high-tension voltage in excess of 20,000 volts and very dangerous. Therefore, do not touch the monitor interior. Should soldering & paper wastes, etc. be mixed in the monitor, turn the power off so as not to cause malfunctioning or fire hazard.



Connecting the CRT and PCB

For combining the CRT and PCB, use the specified part No. to maintain the status of adjustments made at the factory. The anode of the CRT itself will be accumulatively charged as time elapses, generating high tension voltage which is very dangerous. The monitor should be used with the Chassis, CRT and PCB assembled. When repair, etc. is required at the time of malfunctioning, be sure to send it in an "as assembled" condition. If these are disassembled, what's charged to said high tension voltage can be discharged, causing a very hazardous situation. Therefore, under no circumstances should it be disassembled.



CAUTION!

Static Electricity

Touching the CRT surface sometimes causes you to slightly feel electricity. This is because the CRT surfaces are subject to static and will not adversely affect the human body.

Installation and removal

Ensure that the Magnetizer Coil, FBT (Fly-Back Transformer), Anode Lead and Focus Lead are not positioned close to the sheet metal work's sharp edges, etc. and avoid damaging the insulated portions so as not to cause an electric shock and malfunctioning. (For the name of parts, refer to the above figures.)

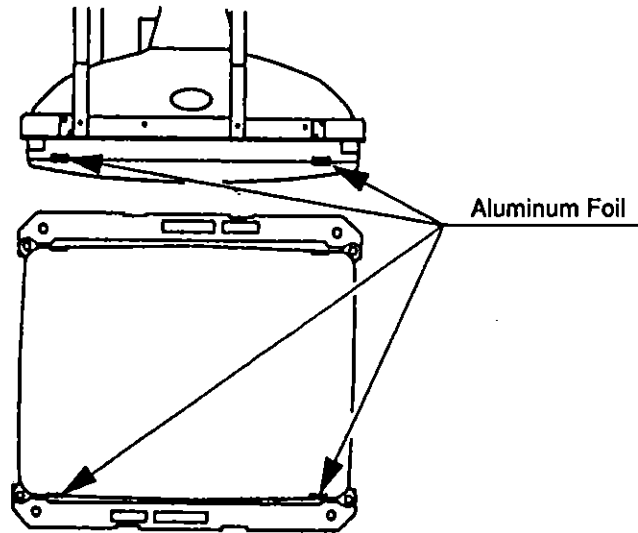


For the purpose of static prevention, special coating is applied to the CRT face of this product. To protect the coating, pay attention to the following points. Damaging the coating film can cause electric shock to the customers. For the caution to be heeded when clearing, refer to the Section of Periodic inspection Table.

Do not apply or rub with a hard item (a rod with pointed edge, pen, etc.) to or on C.R.T. surfaces.

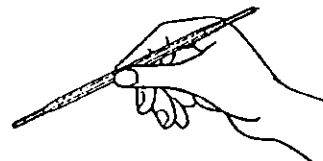
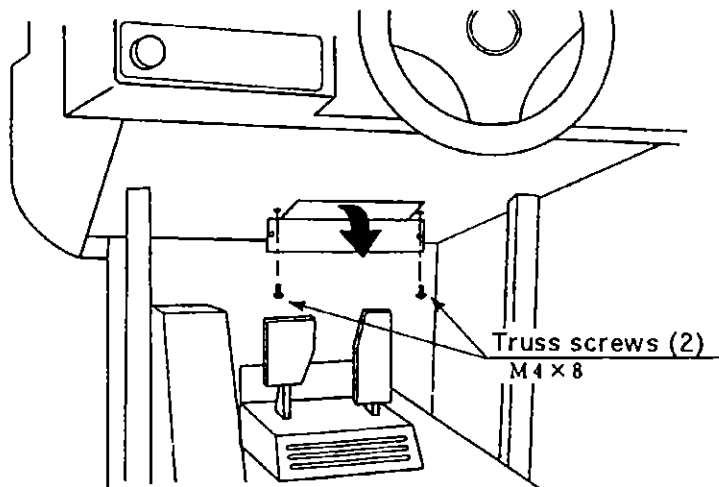
Avoid applying stickers, seals, etc. on the C.R.T. face.

Do not remove aluminum foils from the C.R.T. corners. Removing the aluminum foils can cause static prevention effects to be lowered.

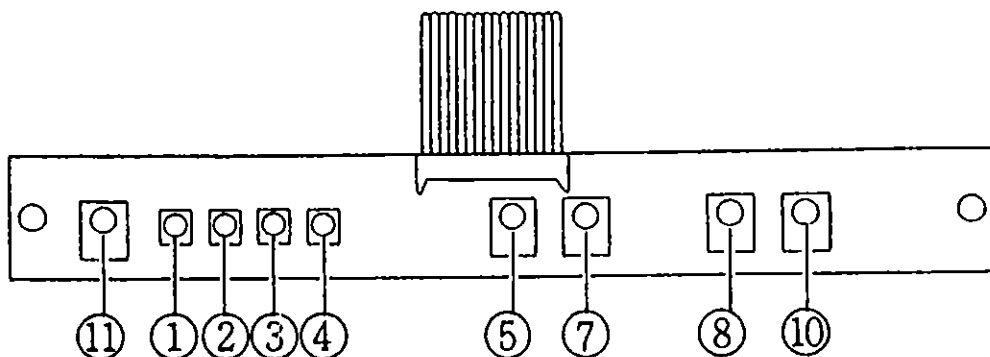


Monitor adjustments have been made at the time of shipment. Therefore do not make further adjustment without a justifiable reason. Adjusting the monitor which contains high tension parts is dangerous work. Also, an erroneous adjustment can cause deviated synchronization and image fault, resulting in malfunctioning.

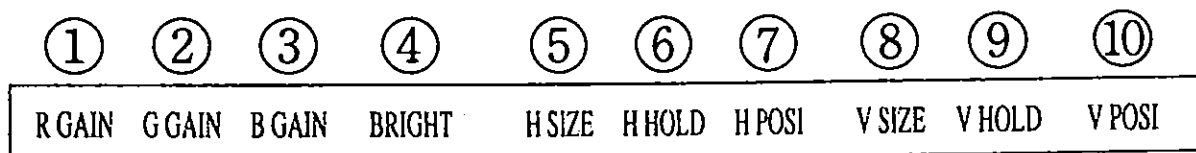
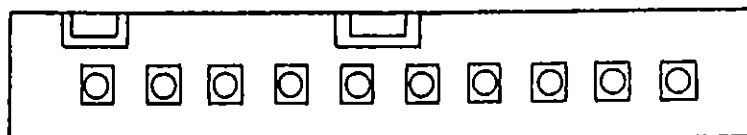
When making adjustment, utilize a resinous Alignment Rod. Servicing with bare hands or using conductive tools can cause electric shock.



NANAO monitor: 2 0 0 - 5 2 4 2 - 2 4 - 0 4 (24K mode)



SANWA monitor: 2 0 0 - 5 2 4 3 - 2 4 (24K mode)



- ① R-GAIN
- ② G-GAIN Controls colors.
- ③ B-GAIN
- ④ BRIGHT Controls screen brightness.
- ⑤ H. SIZE Controls horizontal screen size.
- ⑥ H. HOLD Provides horizontal synchronization, i.e., controls right/left hold.
- ⑦ H. POSI Controls horizontal display position on screen.
- ⑧ V. SIZE Controls vertical screen size.
- ⑨ V. HOLD Provides vertical synchronization, i.e., controls up-down hold.
- ⑩ V. POSI Controls vertical display position on screen.
- ⑪ CONTRAST Adjusts image contrast.

13. REPLACEMENT OF FLUORESCENT LAMP AND LAMPS



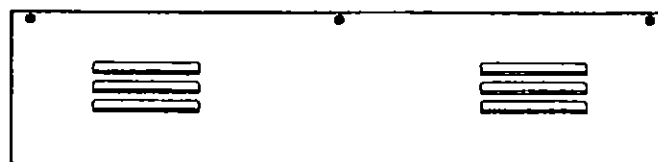
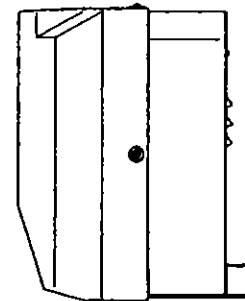
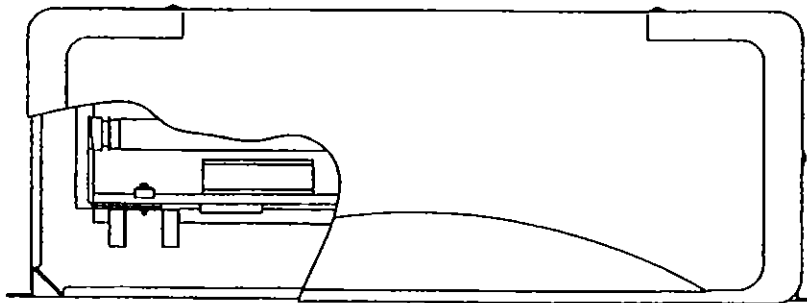
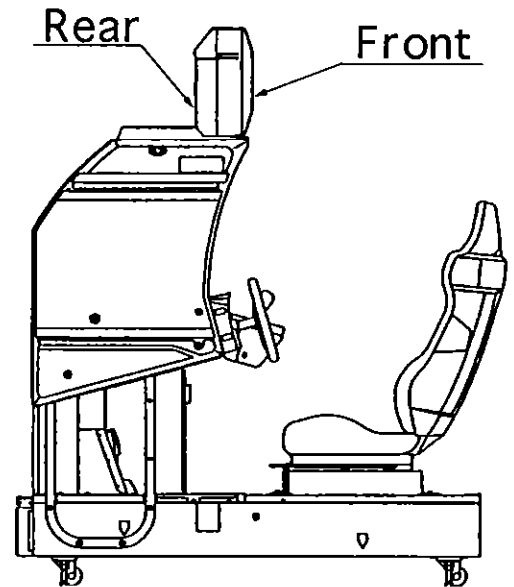
- When performing the work, be sure to turn power off. Working with power on can cause an electric shock or short circuit accident.
- The Fluorescent Lamp, when it gets hot, can cause burns. Be very careful when replacing the Fluorescent Lamp.



To perform work safely and securely, be sure to prepare a step which is in a secure and stable condition. Not using a step or using an unstable step can cause violent falling down accidents.

13-1 REPLACEMENT OF FLUORESCENT LAMP

- ① Take out the 3 screws and remove the Billboard Lid (rear).
- ② Take out the 6 screws to remove Billboard Plate (front), and replace Fluorescent Lamp.



SEE A

14. PERIODIC INSPECTION TABLE

The items listed below require periodic check and maintenance to retain the performance of this machine and ensure safe operation.



- Be sure to check once a year to see if Power Cords are damaged, the plug is securely inserted, dust is accumulated between the Socket Outlet and the Power Plug, etc. Using the product with dust as is accumulated can cause a fire or electrical shock.
- Periodically once a year, request the place of contact herein stated or the Distributer, etc. where the product was purchased from, as regards to the interior cleaning. Using the product with dust as is accumulated in the interior without cleaning can cause a fire or short circuit accident. Note that cleaning the interior parts can be performed on a pay-basis.

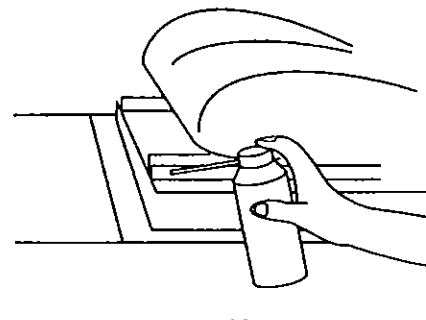
	Item	Interval	Reference
CABINET	Check Adjusters' contact with surface.	Daily	4
HANDLE MECHA	Check lamp.	Monthly	8
	Check VOLUME VALUE.	Monthly	8
	Check ADJUST GEAR engagement.	Trimonthly	9
	Greasing of GEAR.	Trimonthly	9
ACCEL. & BRAKE	Check VOLUME value.	Monthly	10
	Check ADJUST GEAR engagement.	Trimonthly	10
	Gear and Spring portion greasing.	Trimonthly	10
SHIFT LEVER	Check switches.	Monthly	9
COIN CHUTE TOWER	Check COIN SW.	Monthly	4
	Coin insertion test.	Monthly	11
	Cleaning of COIN SELECTOR.	Trimonthly	11
MONITOR	Check adjustments.	Monthly or when moving.	12
	Cleaning of CRT surfaces.	Weekly	12
SEAT	Antistatic measures	Bimonthly	Next page
	Applying grease to Seat Rail	Trimonthly	
GAME BD	MEMORY TEST.	Monthly	7
	Check settings.	Monthly	7
Cabinet surfaces	Cleaning	As occasion arises.	Next page
INTERIOR	Cleaning	Annually	See above.
POWER SUPPLY PLUG	Inspection and cleaning		

CLEANING CABINET SURFACES

If the cabinet is badly stained, use a cloth which is dipped in the chemical detergent liquid diluted with water and then squeezed dry. Do not use thinner, benzine, alcohol or chemical dustcloth as these can damage Cabinet surfaces.

SEAT (Greasing to Seat Rail Portion)

Move the Seat to the rearmost portion and apply spray greasing to the portion shown at the right once every 3 months by using NOK KLUBER L60 or GREASE MATE SEGA PART No. 090-0066. After greasing, move seat a few times forward and backward so as to allow the grease to be applied all over uniformly. Be sure to wipe grease which attaches to the surfaces of the PROTECT RUBBER on the seat Rail, or any excess grease.



15. TROUBLESHOOTING

Should trouble occur, first check connector connections.

PROBLEMS	CAUSE	COUNTERMEASURES
With Main SW ON, no activation	Power is not supplied. Power supply/voltage is not correct. AC main fuse causes the power to be cut off due to momentary overload.	Plug in correctly Make sure that power supply/voltage is correct. Check fuse. Remove the cause of overload and replace fuse
Operation is unsatisfactory	Volume Setting Failure Poor mesh of V.R. gear. Spring failure due to secular change of Accelerator and Brake Mecha.	Perform Volume setting Adjust or replace V.R. Adjust Gear mesh.. Replace the Spring.
Irregular sound emitted from inside Rear Cabinet	Greasing to gear mesh portion is not satisfactory, or extraneous matter mixed in.	Apply greasing or eliminate extraneous matter.
The color of the image on PROJ. screen is incorrect.	Connector connections are defective.	Check the connection for the RGB and SYNC connectors of the PROJ. TERM. BD and VPM BUFFER BD.
The image on PROJ. screen has color deviation.	Affected by the magnetic field of installation location.	Make CONVERGENCE adjustment. (Refer to Section 12.)
No sound is emitted.	Sound Volume adjustment is not appropriate. Sound BD and speaker are malfunctioning.	Adjust sound volume. (see Section 7). Perform sound test to find and replace defective parts.(Refer to Section 7).
NETWORK check will not finish.	Communication cable's connection failure.	Perform V.R. setting, Adjustment.
Communication play is not possible.	Communication cable's connection failure. Communication Play setting is wrong.	Check for Communication cable disconnection Correctly set in test mode.
No sound from Cockpit.	In correct Cabinet Type Setting.	Correct Cabinet Type Setting.
The Fluorescent lamp does not light up.	The Fluorescent tube is burnt out.	Replace the Fluorescent tube (Refer to Section 11).
Shift operation is not satisfactory in Manual transmission.	Shift SW malfunctioning.	Replace SW

16. GAME BOARD



- In order to prevent an electrical shock, be sure to turn power off before performing work by touching the interior parts of the product.
- Be careful so as not to damage wirings. Damaged wiring can cause an electric shock or short circuit accident.



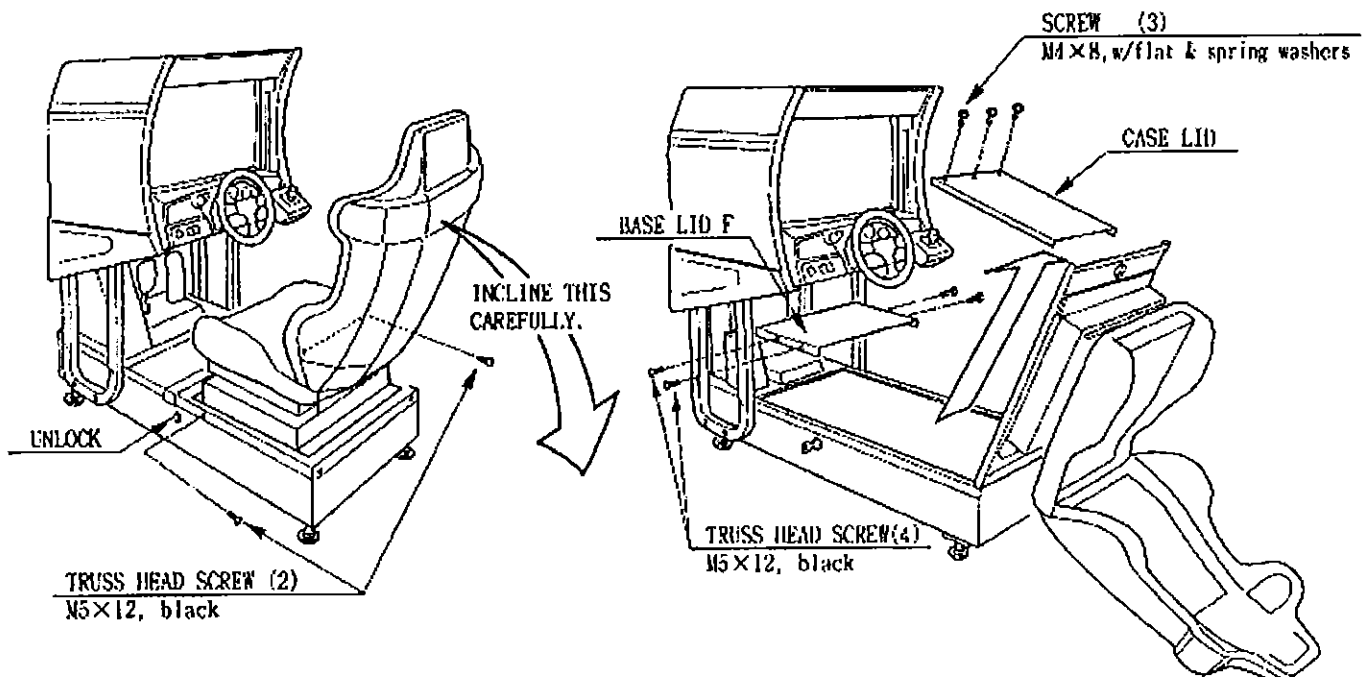
Do not expose the Game BD, etc. without a good reason. In this product, setting changes are made during the test mode. The Game BD need not be operated. Use the Game BD, etc. as is with the same setting made at the time of shipment.

16-1 REMOVING THE GAME BOARD

To replace the IC Board or to change dip switch settings, take out the IC board using the following procedure;

- ① Turn main switch off.
- ② Unlock the base, and remove the 2 truss screws from the side of the base.
- ③ Turn the knob to unlock. The seat can be inclined in the direction shown. When inclining the seat, be careful not to damage seat parts. Carefully rest the backrest portion of the seat on the ground.
- ④ If necessary, protect the seat from damage by using a cloth or blanket on the floor.
- ⑤ Take off the 3 screws to remove the case lid. The game board is inside the shield case.
- ⑥ Take off a total of 4 screws from both sides with the seat being in an inclined state and remove the base lid F.

Removing base lid F allows the Elec Base to be seen.

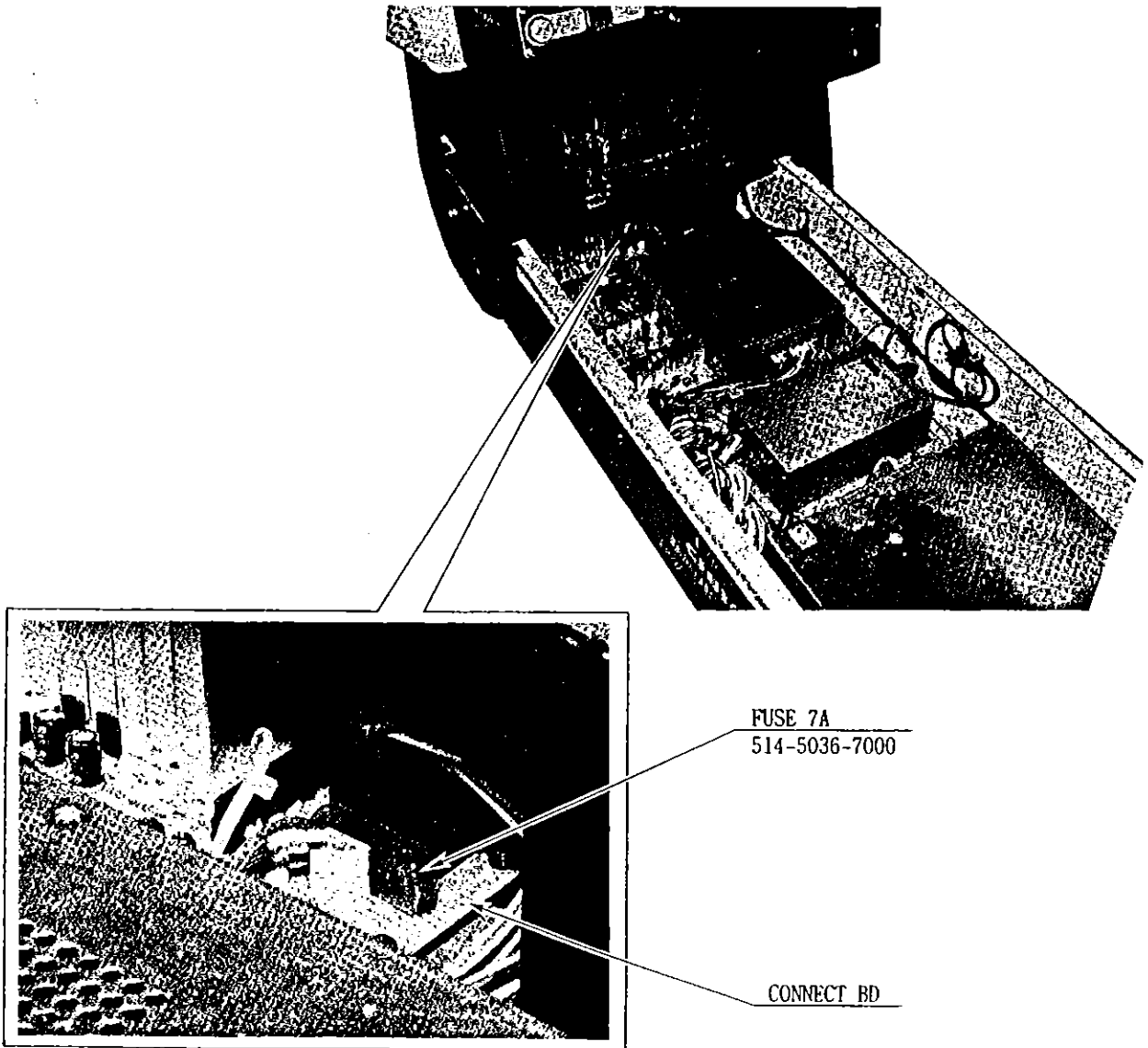


16 - 2 REPLACEMENT OF FUSE



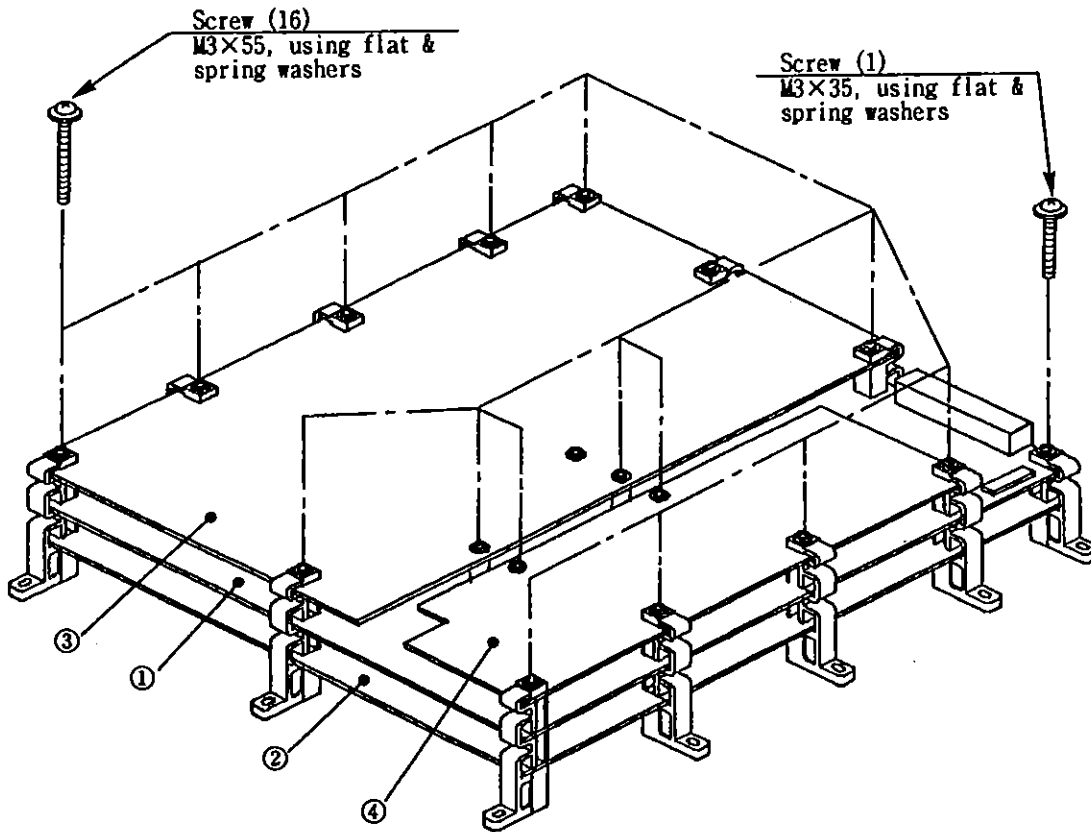
- In order to prevent an electric shock, be sure to turn power off before performing work by touching the interior parts of the product.
- Be careful so as not to damage wirings. Damaged wiring can cause an electric shock or short circuit accident
- After eliminating the cause of the blowing of fuse, replace the fuse.
Depending on the cause of the fuse blowing, using the fuse as is blown can cause generation of heat resulting in fire.

Incline the Seat and remove the Base Lid to view the Base interior. The composition of the Base interior is as shown below. There is a fuse on each of the Connect BD. and Motor Drive BD. When replacing the fuse, be sure to use the specified one.



16 - 3 COMPOSITION OF GAME BOARD

GAME BD DAYTONA USA 2 TWIN (833-13427)



No.	PART No.	DESCRIPTION
①	837-12715-91	MODEL3 STEP2 CPU BOARD
②	837-12716-91 837-13368	MODEL3 STEP2 VIDEO BOARD MODEL3 STEP2.1 VIDEO BD
③	834-13428	ROM BD DAYTONA USA2
④	837-11861-91	MODEL3 COMM BD COM

NOTE: THIS PICTURE IS FOR REFERENCE ONLY!! UNIT IS NOT TO BE OPENED. EXPOSING THE GAME BD FOR ANY REASON MAY VOID WARRANTY.

16 - 4 ERROR DISPLAY (DRIVE CONTROL BOARD)



Be Careful so as not to damage wirings. Damaged wirings can cause an electric shock or short circuit accident.
Do not touch places other than those specified. Touching places not specified can cause an electric shock or short circuit accident.

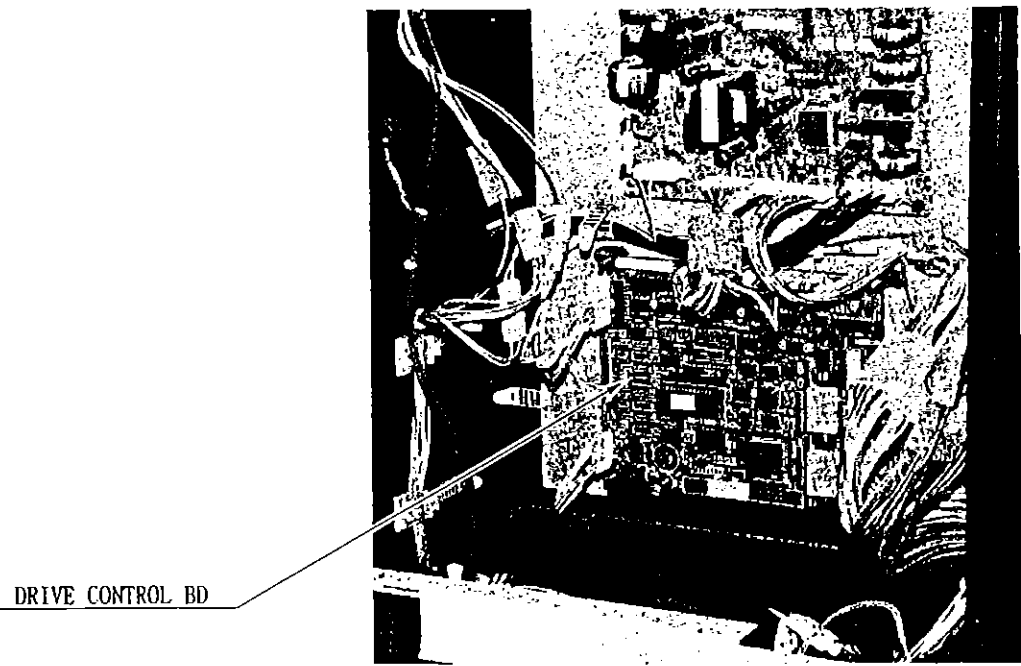
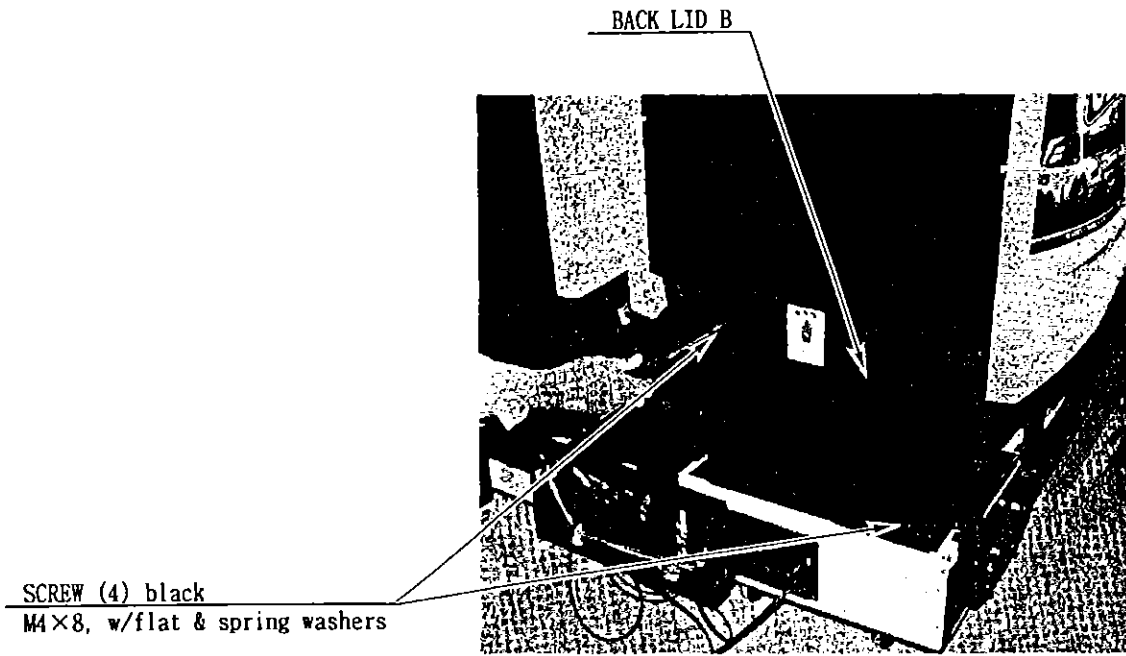
If an irregularity occurs in the Drive Control Board, etc., the ERROR message is shown on the screen and the 7-SEG display on the Drive Control Board. Take countermeasures in the manner corresponding to the ERROR message. Note that even at the time of error occurrence, game play is possible without Steering Wheel reaction.

Among the ERROR display as per the Table listed below, each Er 01, 02, 20, and 22 is displayed if an irregularity is found during initialization setting movements when power is turned on and at the time Test Mode is finished.

From among error displays as per the Table shown below, Er 23, 24, and 25 indicate On-Board 7-SEG error display when an irregularity is found during game and ADVERTISE MODE. If an irregularity is found during game, game play can be continued without Steering Wheel reaction.

7-SEG display on Drive Control BD.	ERROR	CAUSE/COUNTERMEASURES
Er 01	ROM ERROR	Malfunctioning of Drive Control Board. Replace Drive Control Board.
Er 02	RAM ERROR	
Er 20	Initialization setting irregularity of motor	Irregularity during initialization setting movement. Finish initialization setting movement by turning power off and then on. Note that when ERROR is displayed, the malfunctioning relates to the Motor System (Motor, Drive Control BD which controls the Motor, Drive BD., wirings in between, etc.)
Er 22	Steering Wheel's centering error	Malfunctioning during initial setting movement. Finish initialization setting movement by turning power off and then on. Note that when ERROR is displayed, the malfunctioning relates to the Steering Wheel Volume system.
Er 23	ERROR of the Encoder incorporated in the motor.	Malfunctioning which occurs during operation. First turn the power off and after 10 min., turn it back on again. Note that when this Error is displayed, the malfunctioning relates to the Motor System.
Er 24	Overcurrent ERROR	
Er 25	Overheat Overload	

If ERROR display is shown on the screen, incline the Seat WITHOUT TURNING POWER OFF, and remove Back Lid B to check the 7-SEG display on the Drive Control Board. At this time, if the power is turned off, each of the Er 23, 24, and 25 which could have occurred during operation may not be displayed.



17. COMMUNICATION PLAY



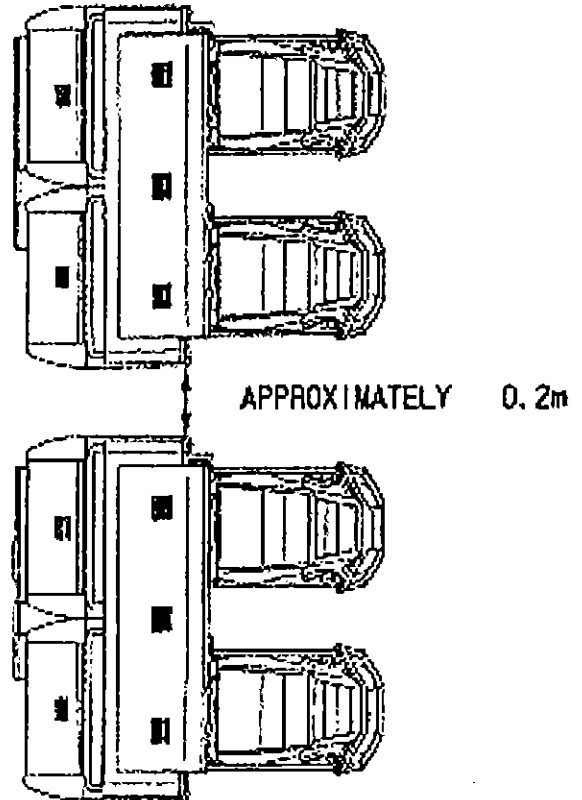
WARNING!

- Before performing between-cabinets connection work, be sure to turn the Power SW OFF and unplug the power plug from the wall socket. Failure to observe this can cause electric shock and/or short circuit accidents.
- Perform assembling as shown in this manual. Erroneous assembling can cause electric shock accidents and malfunctioning.

By linking 4 machines, up to 4 persons can play simultaneously. Although accessory parts are to be installed for communication play, some of the parts will remain as spares.

17 - 1 INSTALLATION PRECAUTIONS

- ① Simple multiple machines are to be linked, sufficient power corresponding to the number of machines used need to be supplied. As standard, amperage is 15A (AC100~110~120V area).
- ② Due to the parts used for communication play, interval between machines (each pair) is 20 cm, when connecting three or more machines together. If parts are not installed, adjacent players will come into contact with each other and this can cause accidents and trouble.



17 - 2 CONNECTING THE COMMUNICATION CABLES

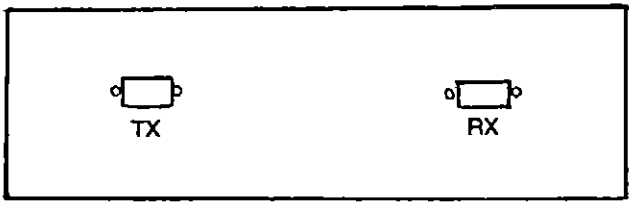


IMPORTANT!

The Communication Cable is optic-fiber made and will break if excessively bent. Handle with care.

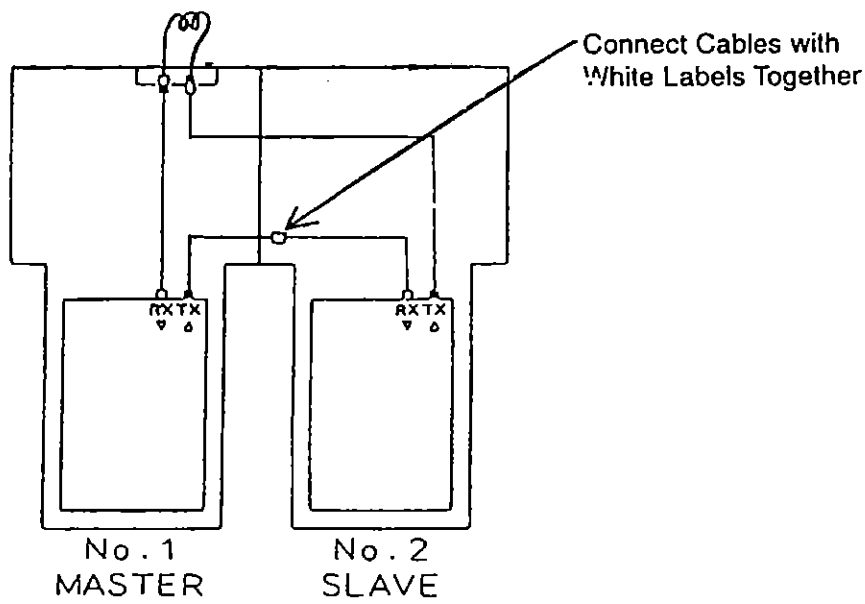
The Protect Tube is used to link plural machine units and the communication cables are caused to pass through the Protect Tube. Depending on the number of machine units to be linked, connect the communication cables in the manner described on page 58.

- ① To connect your Daytona 2 game with others, setup with one cabinet on the left and one cabinet on the right sides of the Coin Chute Tower In the parts bag located in the cash box, locate the Opto Cable. this will be needed later, to connect together the opto connections on the rear of the Cash Box Tower. The hardware needed to assemble your Daytona 2 game has been threaded into the proper holes. This was done to insure the bolts thread properly into the T nuts in the Cabinet.
- ② At this time remove the rear cover of the Cash Box Tower.
- ③ Notice the wire harness taped to both sides of the cabinets and Cash Box Tower. On the wireharness connections Black is for the left side, yellow is for the right side viewed from the front. Locate left side cabinet (on/off switch) and Cash Box Tower. Connect the 15, 4 and 2 position connectors together. At this time connect the Opto cable (without white lable) to the Opto connection nearest to the left side of cabinet (viewed from the front). These Opto connections are in the rear of the Cash Box Tower.
- ④ You may elect not to connect the connector at this time, but carefully push connectors in the hole so they are still accessible from the outside of the cabinet.
- ⑤ There are 4 bolts in the NON SLOTTED HOLES, on the side of the cabinet, the 2 on top under the the ledge must be removed. The 2 on the bottom must be loosened about 1/4 inch. Lift up the Cash Box Tower and using the 2 lower slotted holes on the bottom of the Cash Box slip them over the lower protruding bolts and slide the cash box into place. Open the Coin Door and install the 2 upper bolts through the cash box into the cabinet. tighten all 4 bolts.
- ⑥ The Right side of the cabinet gets installed the same way as the left side.

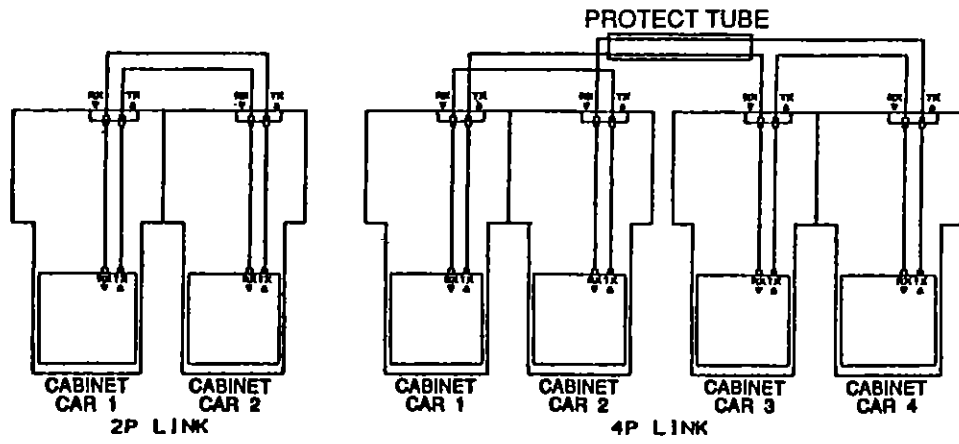
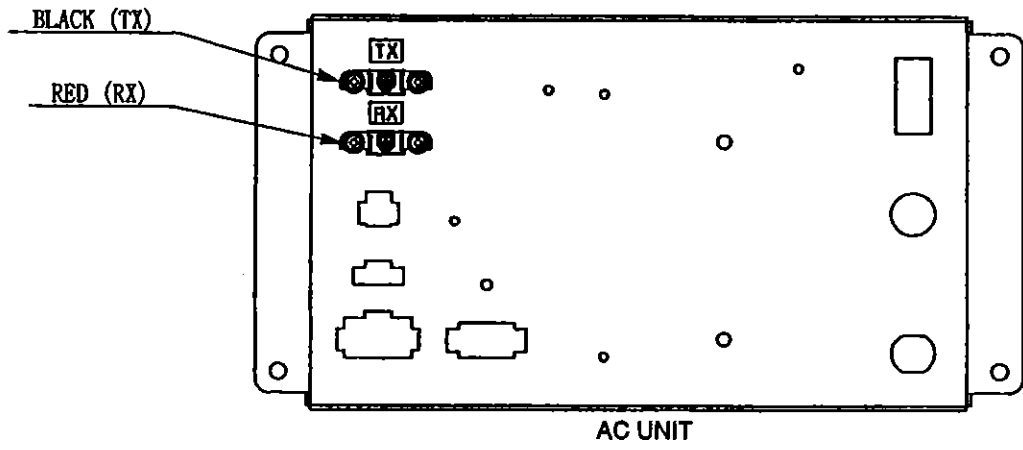


Rear View of Cash Box Tower

—○ CONNECTOR RED (RX)
 —■ CONNECTOR BLACK (TX)



2P LINK SYSTEM



17 - 3 SETTING FOR COMMUNICATION PLAY



IMPORTANT!

During communication play, if communication is interrupted due to a certain cause, ERROR MESSAGE will be displayed, then NETWORK check mode appears on the screen automatically.

Cause all of the seats to enter the Test Mode and change the GAME ASSIGNMENTS of each seat for communication play. Refer to the section on Explanation of Test and Data display for changing procedure.

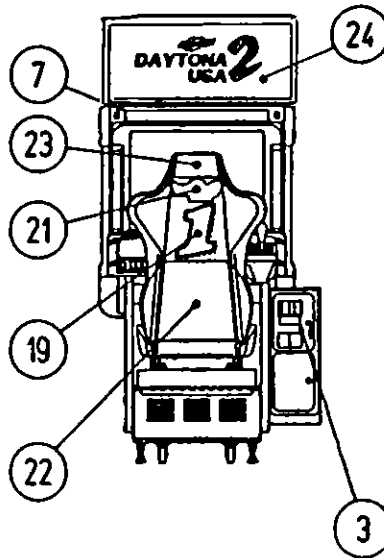
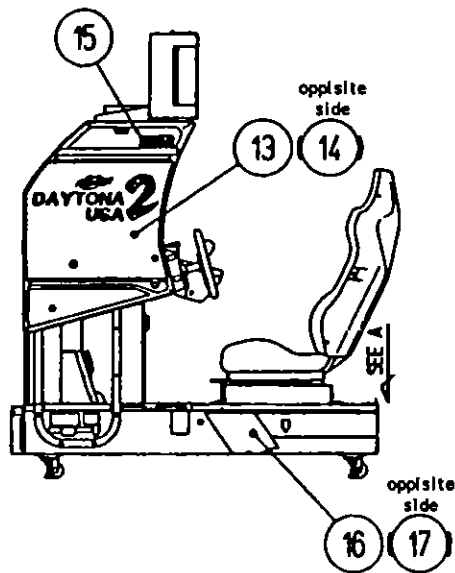
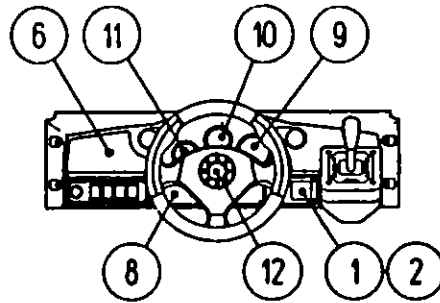
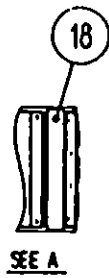
- ① Press the TEST button to enter the test mode and choose "GAME ASSIGNMENTS".
- ② Bring the arrow to LINK TYPE and press the TEST BUTTON and set plural number of machines sequentially to CAR 1, CAR2, CAR3 and CAR4 as applicable starting from the extreme left facing the monitor's front side. If the same number is set for 2 or more cabinets, or if the sequential order is incorrect, the game display, etc. will be confused (different from the actual status). Therefore, be careful of this point.
- ③ In case of communication play, only the settings of GAME DIFFICULTY and GAME MODE need to be performed by the MASTER seat. All other seats (SLAVE) are subject to the setting made by the MASTER CAR1 seat. The above setting change made by any SLAVE seat is not effective and will not be reflected on the game.

GAME ASSIGNMENTS

ADVERTISE SOUND	ON
DIFFICULTY	NORMAL
GAME MODE	NORMAL
DEFAULT VIEW	DRIVER
SPEED	KM/H
DISPLY URL	OFF
CABINET TYPE	TWIN
LINK TYPE	MASTER (CAR1)
>EXIT	

SELECT WITH SERVICE BUTTON
AND PRESS TEST BUTTON

18. DESIGN RELATED PARTS

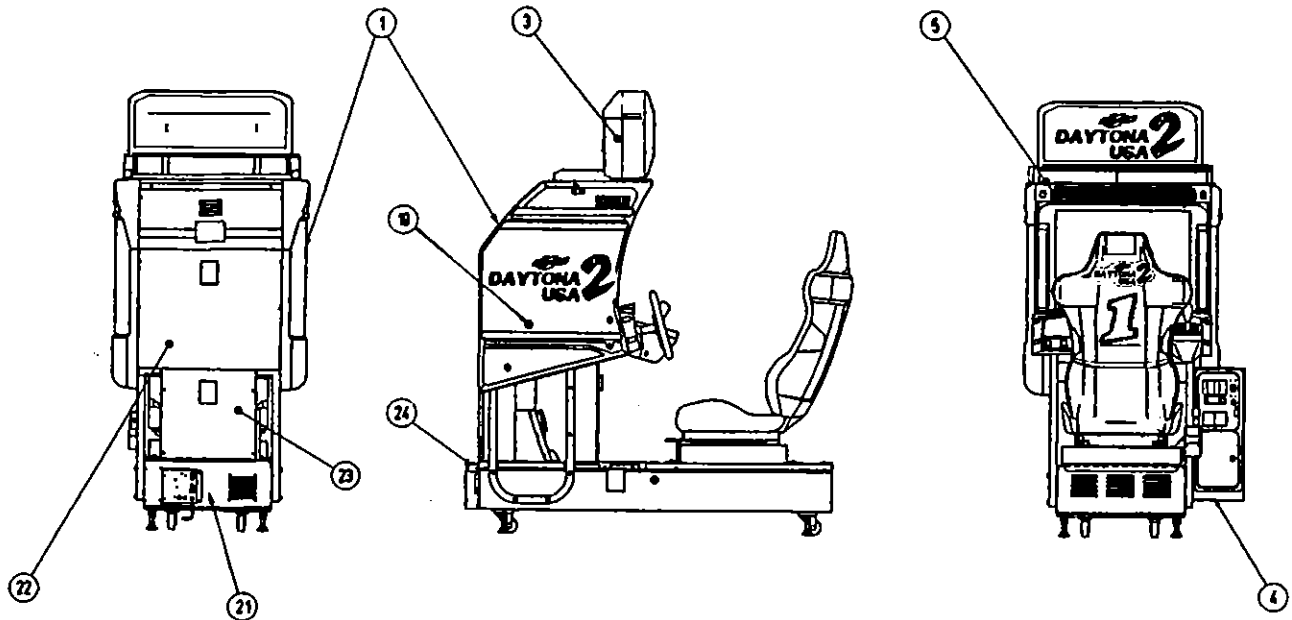


DESIGN RELATED PARTS

ITEM NO.	PART NO.	DESCRIPTION
1	DYN-0011	DENOMI PLATE W/O ORIGINAL
2	421-7308~	DENOMINATION SHEET 1 GAME~
6	422-0660-01	PLAY INSTR SH DUT TWIN ENG
7	422-0661-01	SUB INSTR SH DUT TWIN ENG
8	SPG-1201-E	METER PANEL
9	DYN-1214-C	DESIGN PL TACO MTR TWIN
10	DYN-1214-D	DESIGN PL OIL METER TWIN
11	DYN-1214-E	DESIGN PL WATER MTR TWIN
12	SPG-2002	STEERING EMBLEM
13	DUT-1031-B	STICKER SIDE L
14	DUT-1046-B	STICKER SIDE R
15	421-9749-03	STICKER SEGA LOGO LUMI TELLOW
16	DUT-1501-A	STICKER BASE L
17	DUT-1501-B	STICKER BASE R
18	DUT-1511-A	STICKER BASE LID
19	DUT-1601-A	STICKER CAR NO. 1
21	DUT-2201-C	STICKER DAYTONA USA 2
22	DUT-2201-D	STICKER LOWER
23	DUT-2201-E	STICKER UPPER
24	999-0704	BILLBOARD COVER FRONT DUT

19. PARTS LIST

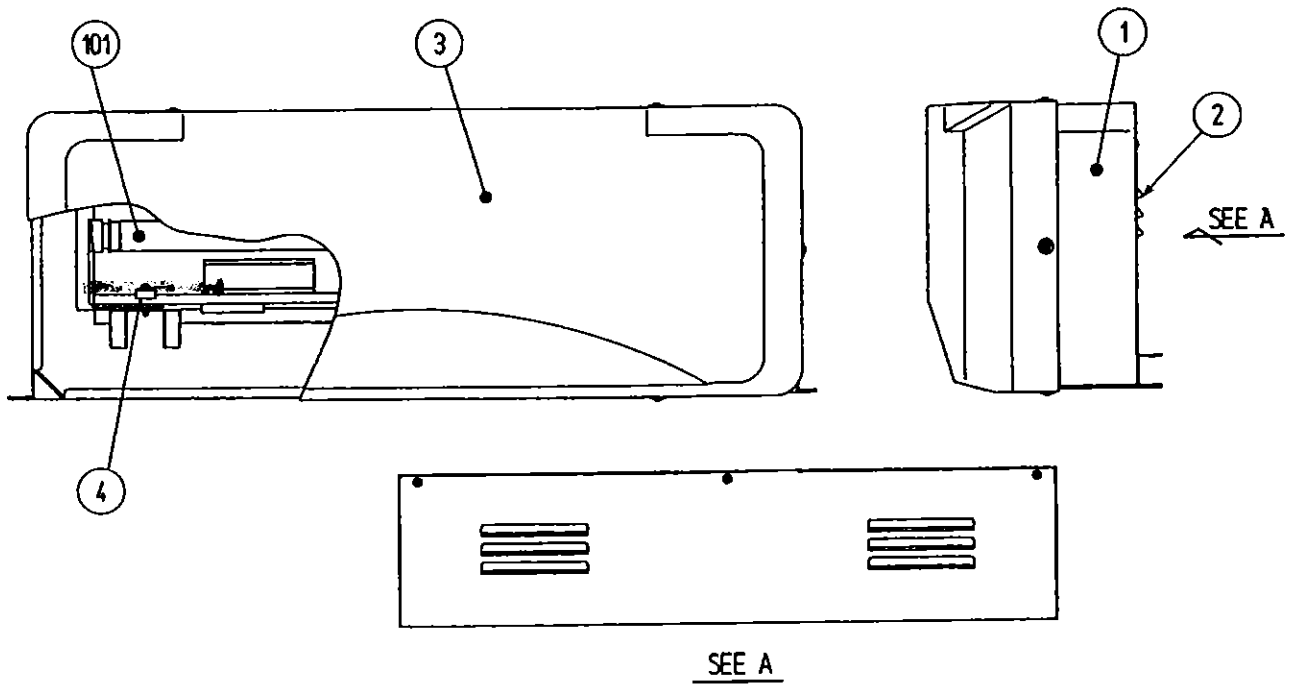
TOP ASSY DAYTONA USA 2 TWIN



TORQUE: M8 195kgf·cm
Under M4(M SCR) 10kgf·cm

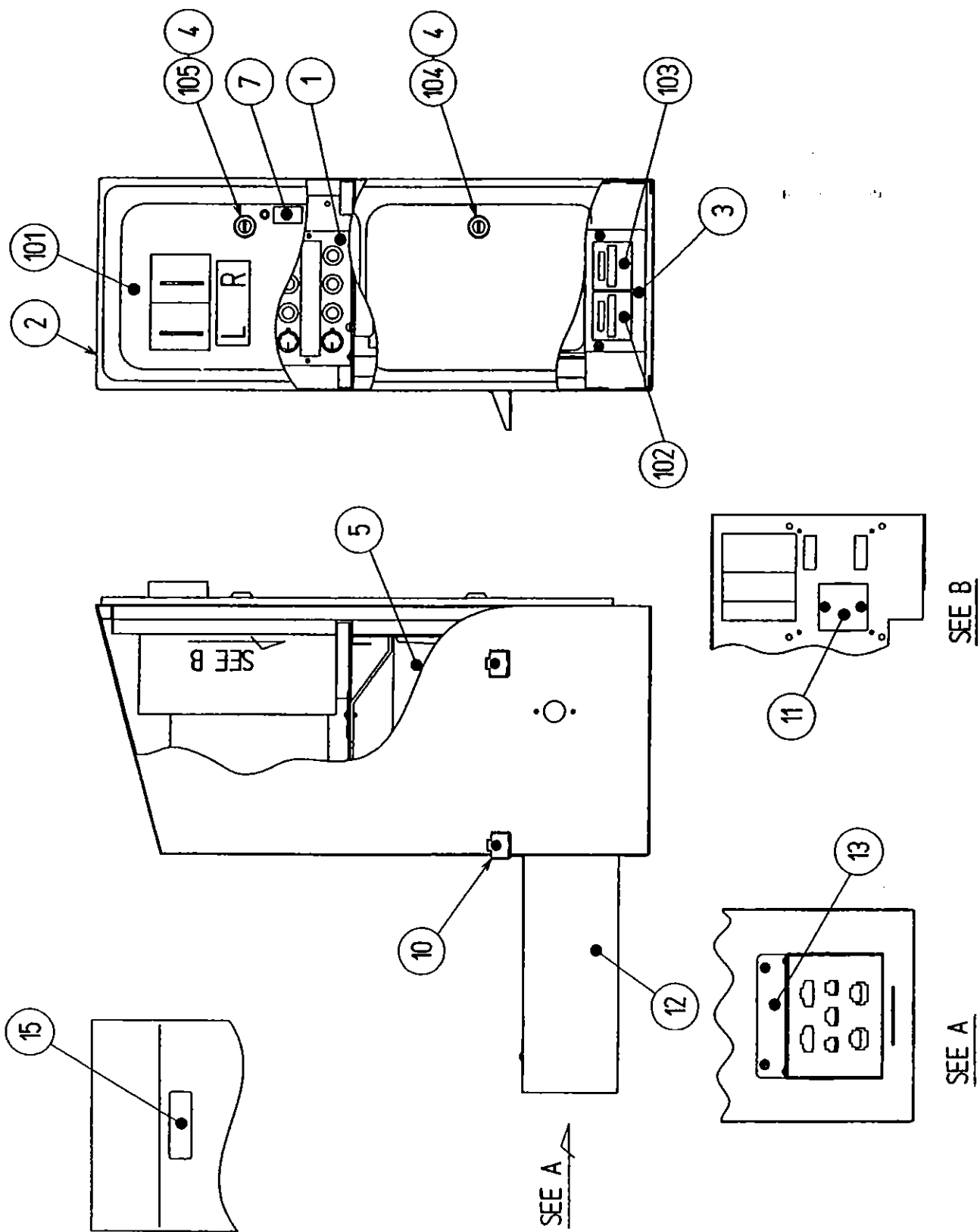
ITEM NO.	PART NO.	DESCRIPTION
1	DUT-10001	ASSY COCKPIT 1P
3	999-0706	ASSY BILLBOARD
4	SPG-0300	ASSY COIN CHUTE TOWER
5	422-0661-01	SUB INSTR SH SRT TWIN ENG
19	DUT-0001	BLIND CAP
21	SPG-0006	AC COVER
22	INY-0004	BACK LID INY
23	DYN-0008	BACK LID B
24	DYN-0009	HOLE LID

ASSY BILLBOARD STD (999-0706)



ITEM NO.	PART NO.	DESCRIPTION
1	SRT-0203	BILLBOARD CASE
2	SRT-0204	BILLBOARD LID
3	999-0704	BILLBOARD
4	253-5457	FL HOLDER
101	LOCAL PURCHASE	ASSY FL 20W EX W/CONN HIGH S

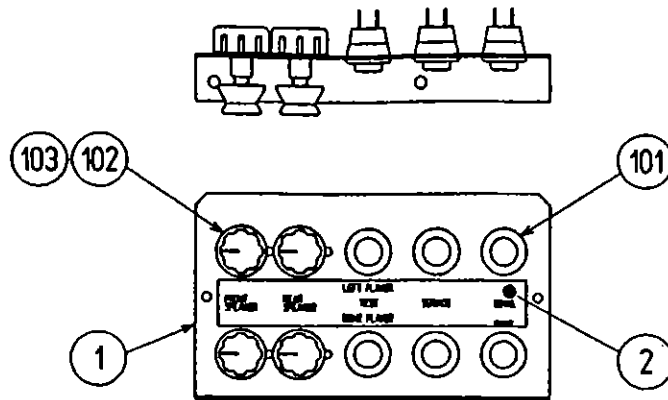
ASSY COINCHUTE TOWER (DUT-0300)



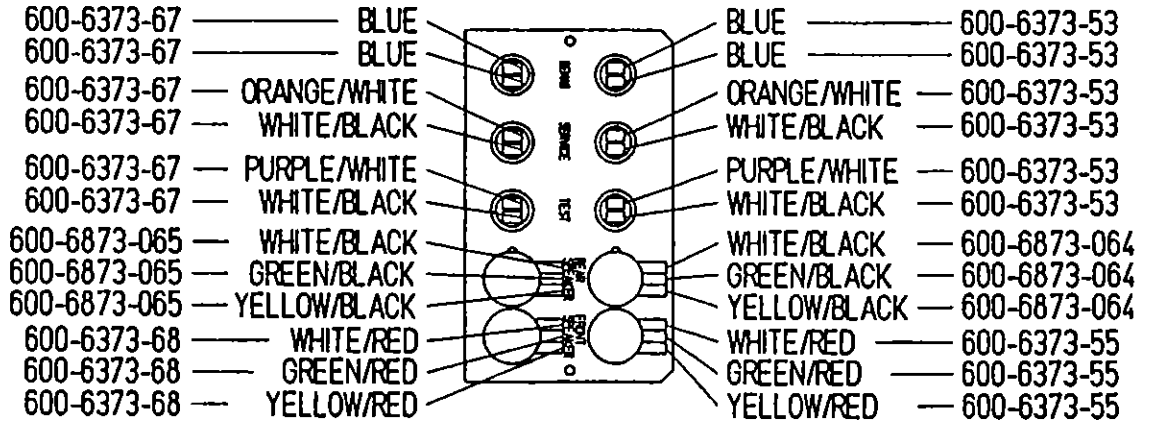
ASSY COINCHUTE TOWER (DUT-0300)

ITEM NO.	PART NO.	DESCRIPTION
1	SPG-0350	SW UNIT
2	SPG-0301	COIN CHUTE TOWER
3	DYN-0302Y	COIN METER BRKT
4	DP-1167	TNG LKG
5	BOX-CASH	CASH BOX
10	DYN-0305	TOWER BRKT
11	105-5202	HOLE COVER
12	SPG-0302	WIRE BOX
13	SPG-0303	WIRE BOX LID
101	220-5237-92	ASSY C.C. 2DR
102	220-5412	MAG CNTR W/CONN
103	220-5412-01	MAG CNTR W/CONN BLACK
104	220-5574	CAM LOCK W/KEYS
105	220-5575	CAM LOCK MASTER W/O KEY

SW UNIT (SPG-0350)

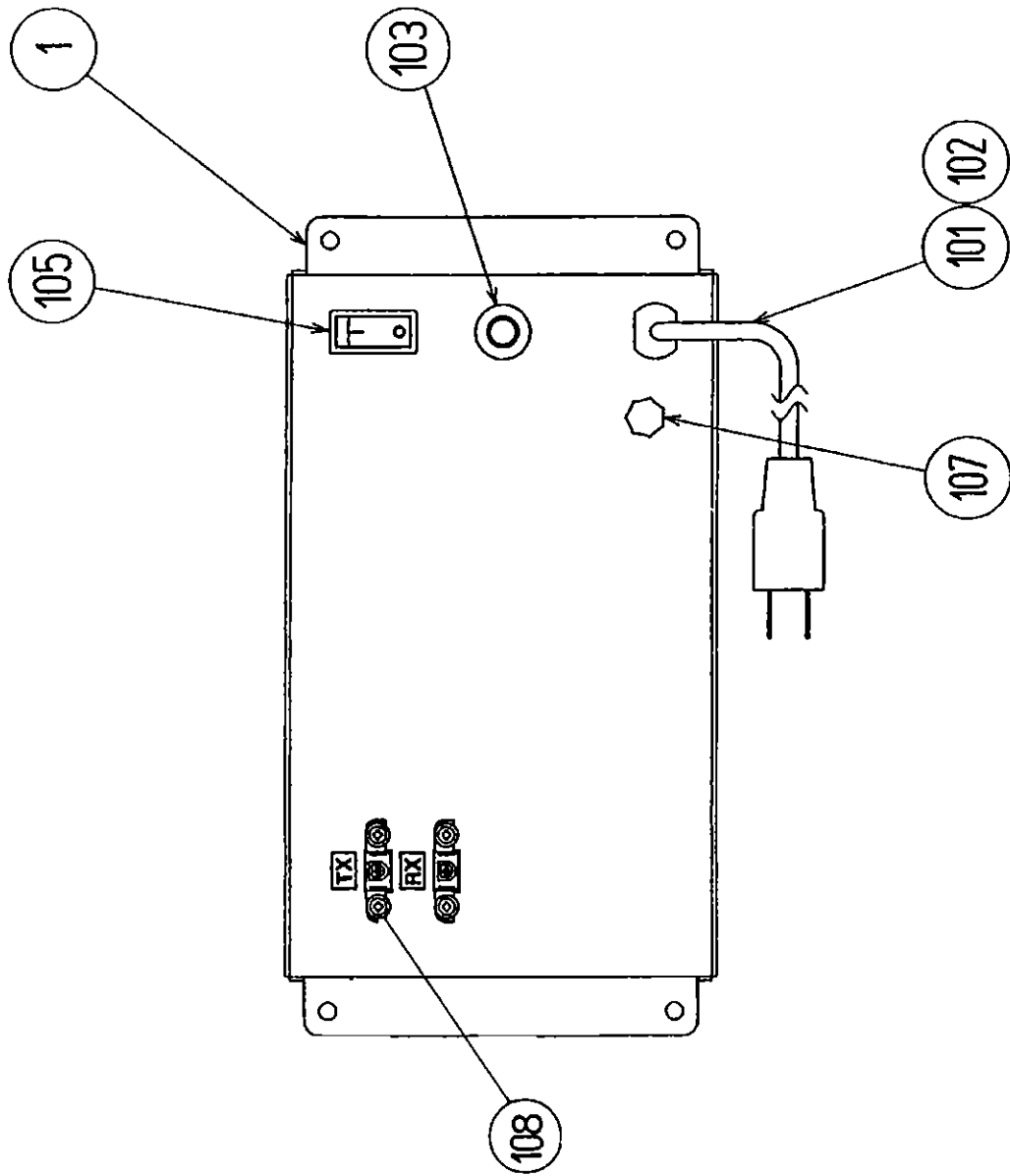


WIRE ADJUSTMENT



ITEM NO.	PART NO.	DESCRIPTION
1	SPG-0351	SWITCH BRKT
101	509-5028	SW PB 1M
102	220-5179	VOL CONT B-5K OHM
103	601-0042	KNOB 22MM
105	310-5029-F20	SUMI TUBE F F 20MM

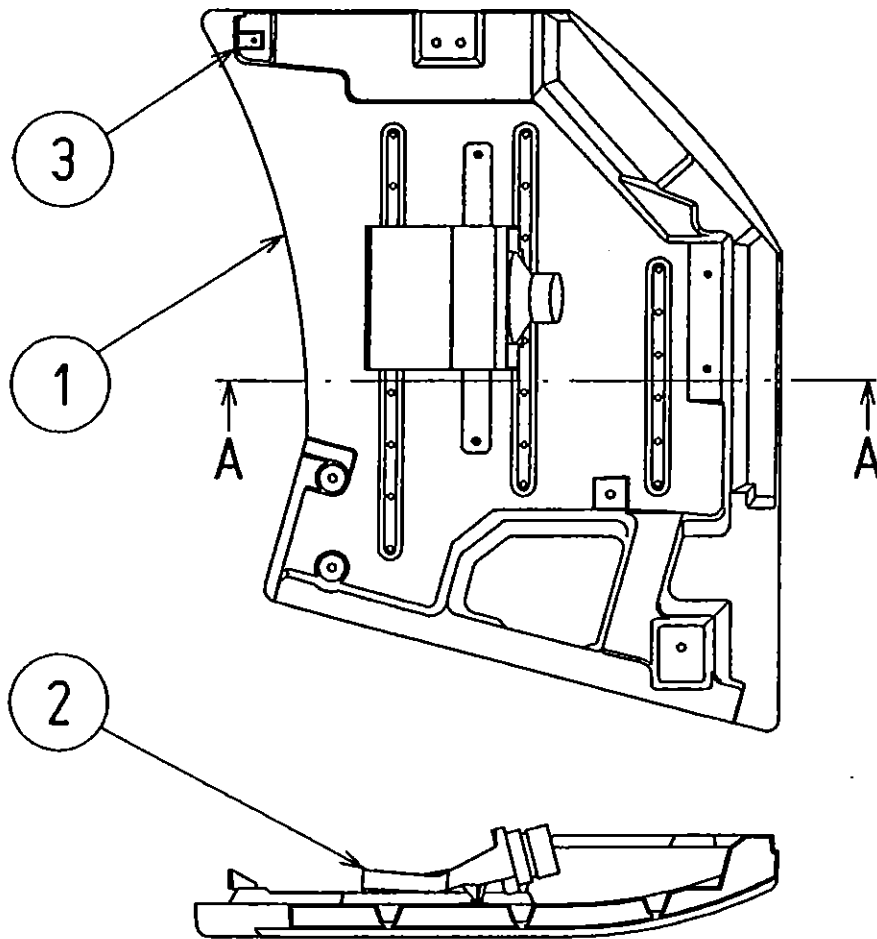
AC UNIT (DUT-0400)



TEM NO.	PART NO.	DESCRIPTION
1	DUT-0401	AC BRKT
101	600-5843-25	CA & PLUG ASSY 15A W/F-L=2.5M
102	280-5134-6N34	BUSHING STRAIN RELIEF 6N34
103	512-5046-15000	C.P 15000mA CE UL
105	509-5453-91-V-B	SW ROCKER J8 V-B
107	280-0417	TERMINAL BINDING POST BLACK
108	211-5479-01	CONN OPT JOINT

ASSY MONITOR COVER L 1P (DUT-1030)

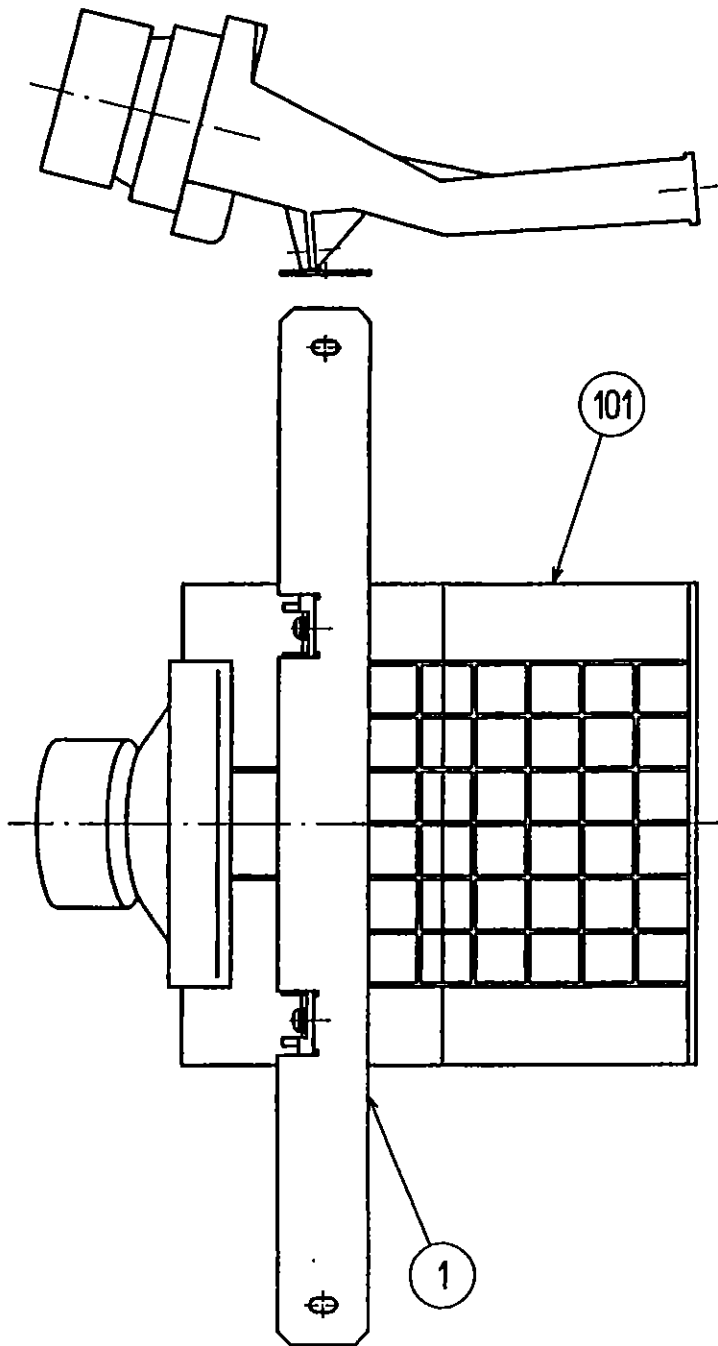
ASSY MONITOR COVER R 1P (DUT-1045)



SECTION A-A

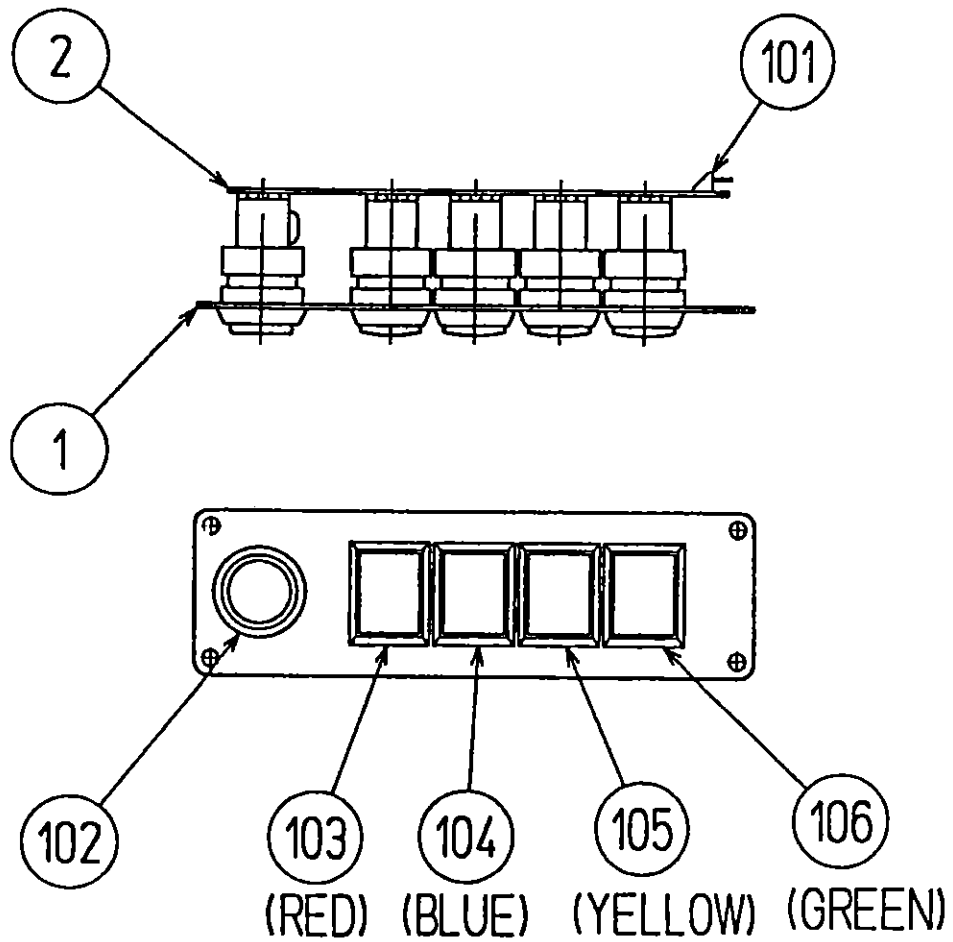
ITEM NO.	PART NO.	DESCRIPTION
1	DUT-1031 DUT-1046-01	COVER PANEL L 1P COVER PANEL R 1P EXP
2	SPG-1100	ASSY SPEAKER
3	DYN-1032	MASK BRKT

ASSY SPEAKER (SPG-1100)



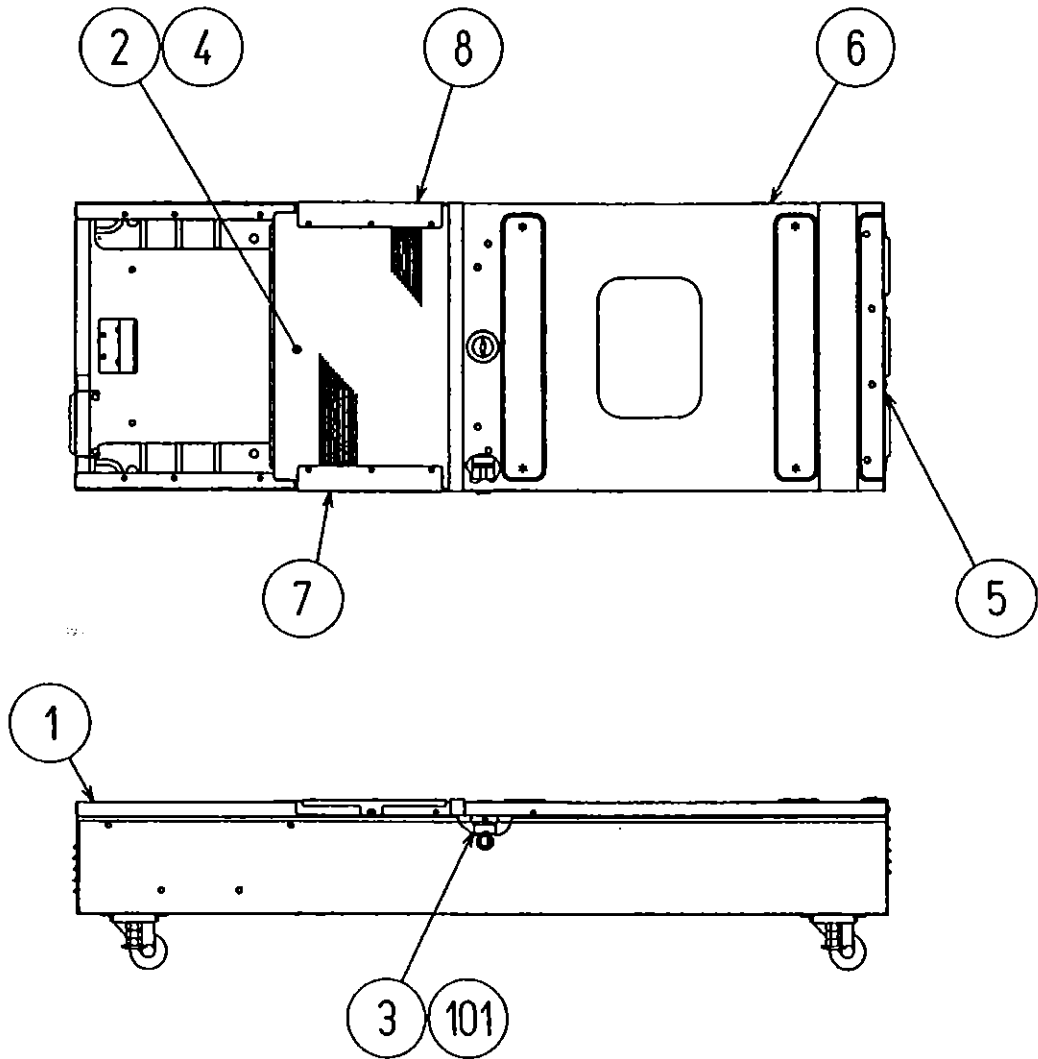
ITEM NO.	PART NO.	DESCRIPTION
1	INY-1701	SPEAKER BRKT
101	130-5152	SPKR BOX MINI DOME 12W

ASSY VIRTUAL BUTTON TWIN (DYN-1290)



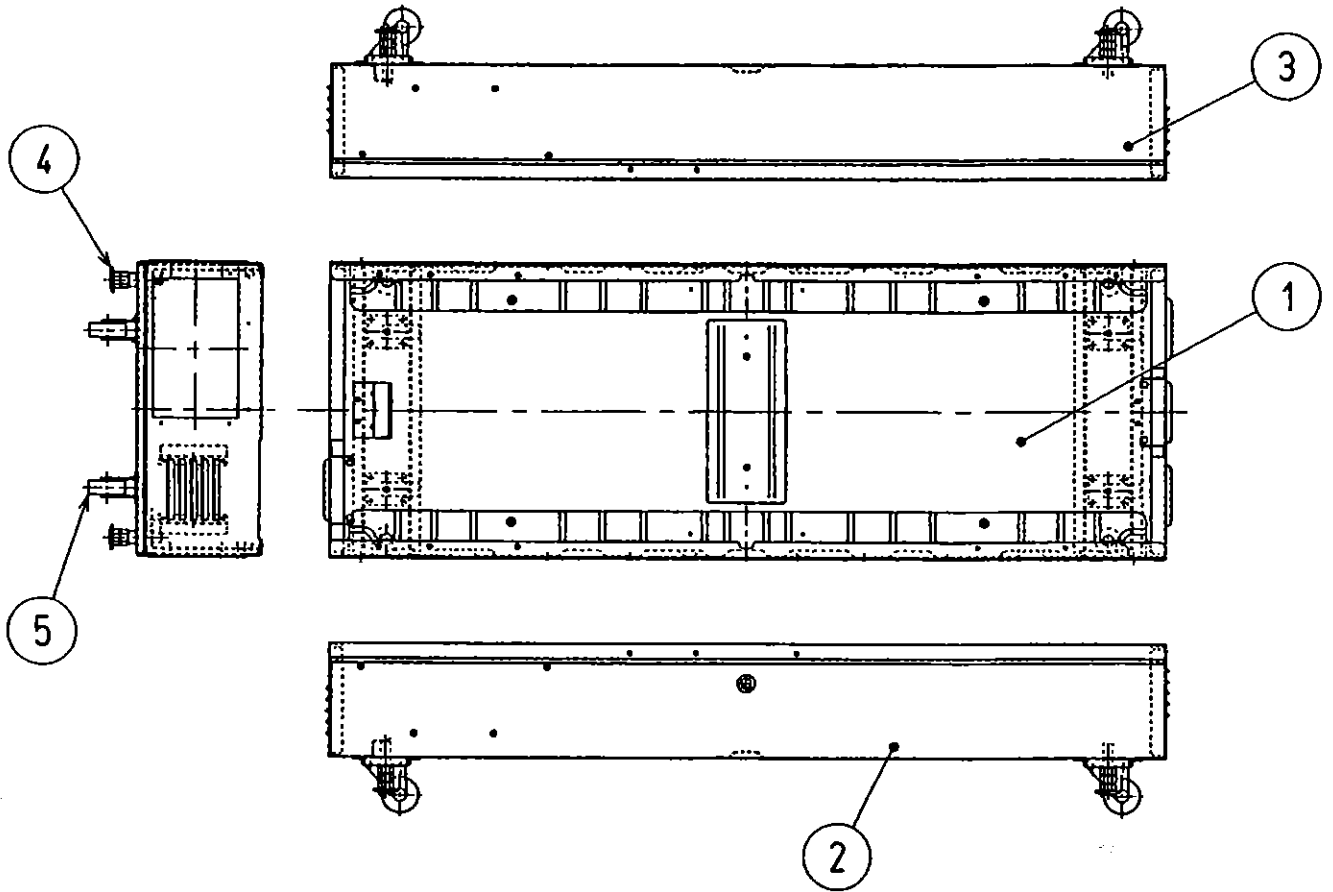
ITEM NO.	PART NO.	DESCRIPTION
1	DYN-1291	VR BUTTON BRKT
2	171-6478B	PC BD LIGHTING SWX5
101	212-5205-12	CONN JST M 12P RTA
102	509-5560-Y	PB SW W/L 6V 1L Y
103	509-5561-R	PB SW W/L 6V 5L R
104	509-5561-S	PB SW W/L 6V 5L S
105	509-5561-Y	PB SW W/L 6V 5L Y
106	509-5561-G	PB SW W/L 6V 5L G

ASSY BASE BOX (DUT-1500)



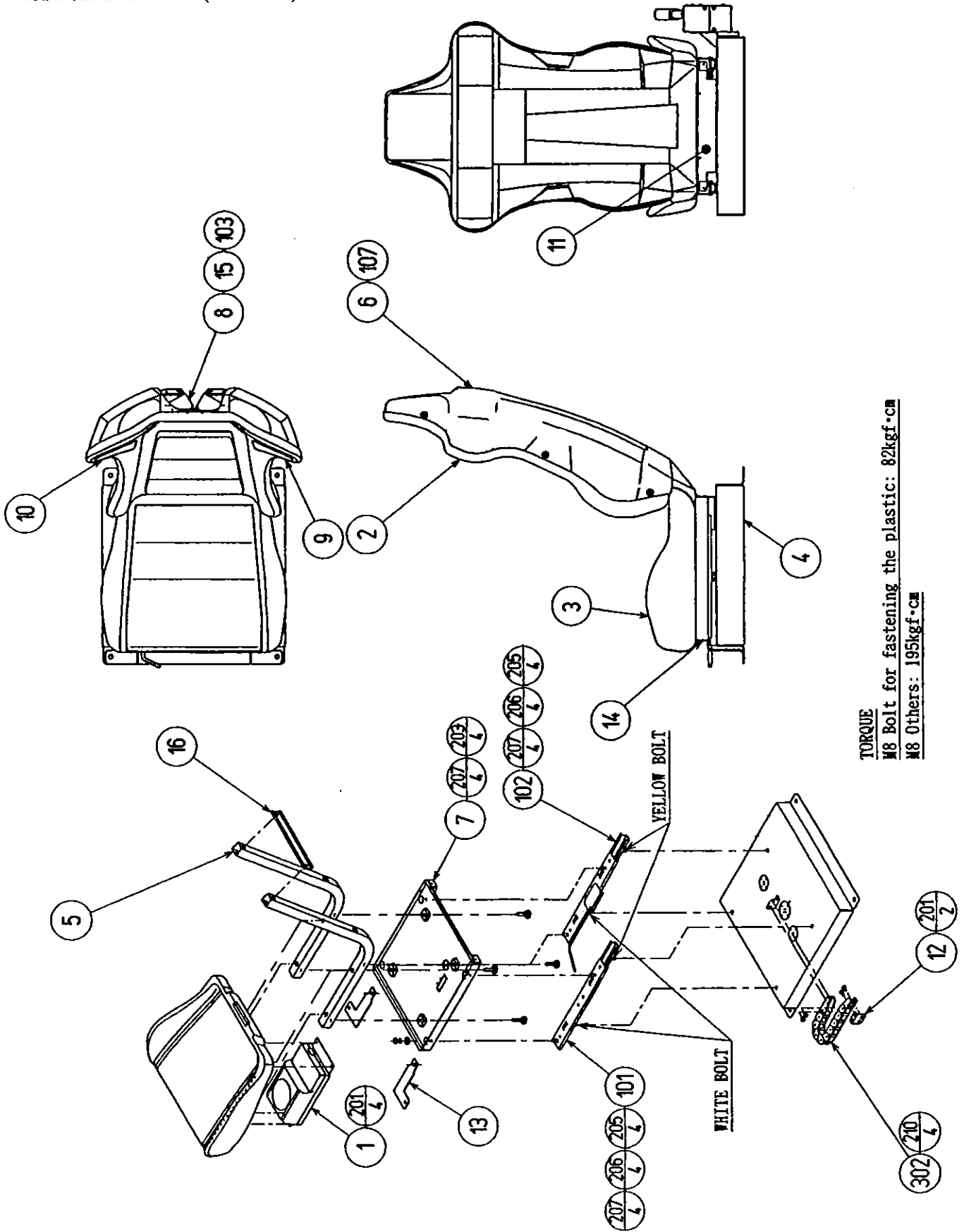
ITEM NO.	PART NO.	DESCRIPTION
1	DUT-1501	MAIN BASE
2	DYN-2003	BASE LID F
3	DYN-2004	LOCK TNG
4	DYN-2005X	FLOOR MAT
5	DYN-2006	HINGE 480
6	DUT-1510	ASSY BASE LID R
7	DYN-2007X	LID EDGE L
8	DYN-2009X	LID EDGE R
101	220-5575	CAM LOCK MASTER W/O KEY

MAIN BASE (DUT1-1501)



ITEM NO.	PART NO.	DESCRIPTION
1	DYN-2002X-A	MIAN BASE BLANK
2	DUT-1501-A	STICKER BASE L
3	DUT-1501-B	STICKER BASE R
4	999-0167	LEG ADJUSTER BOLT 1/2X13X3
5	999-0169	CASTER 2 1/2"

ASSY SEAT TWIN 1P (DUT-1600)

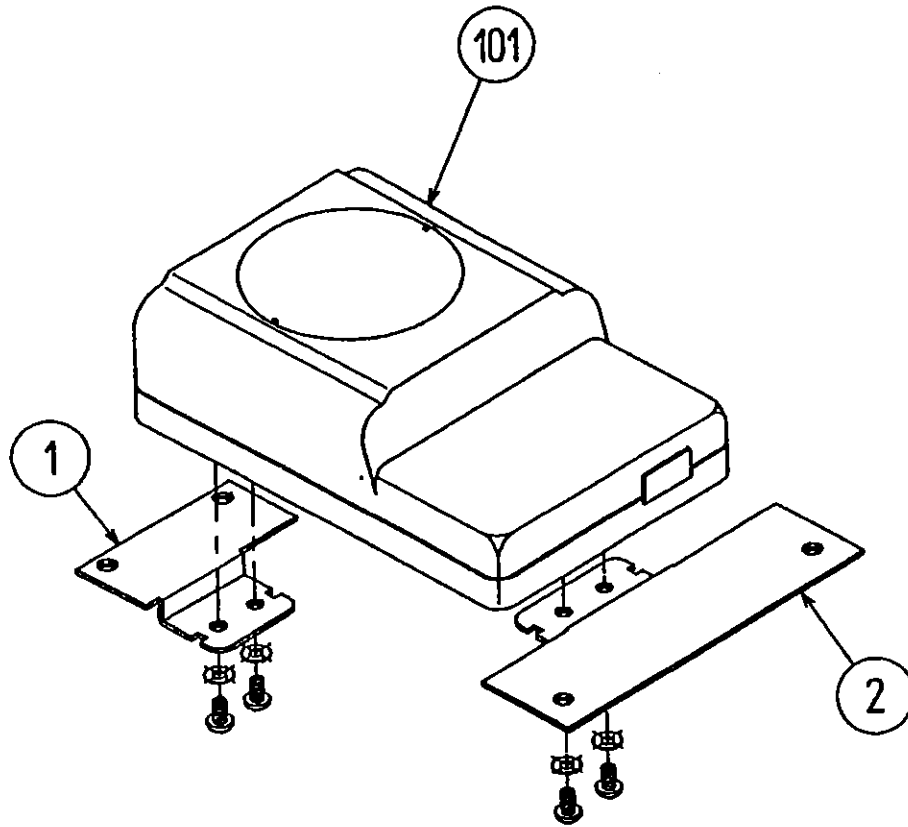


TORQUE
 M8 Bolt for fastening the plastic: 82kgf·cm
 M8 Others: 195kgf·cm

ASSY SEAT TWIN 1P (DUT-1600)

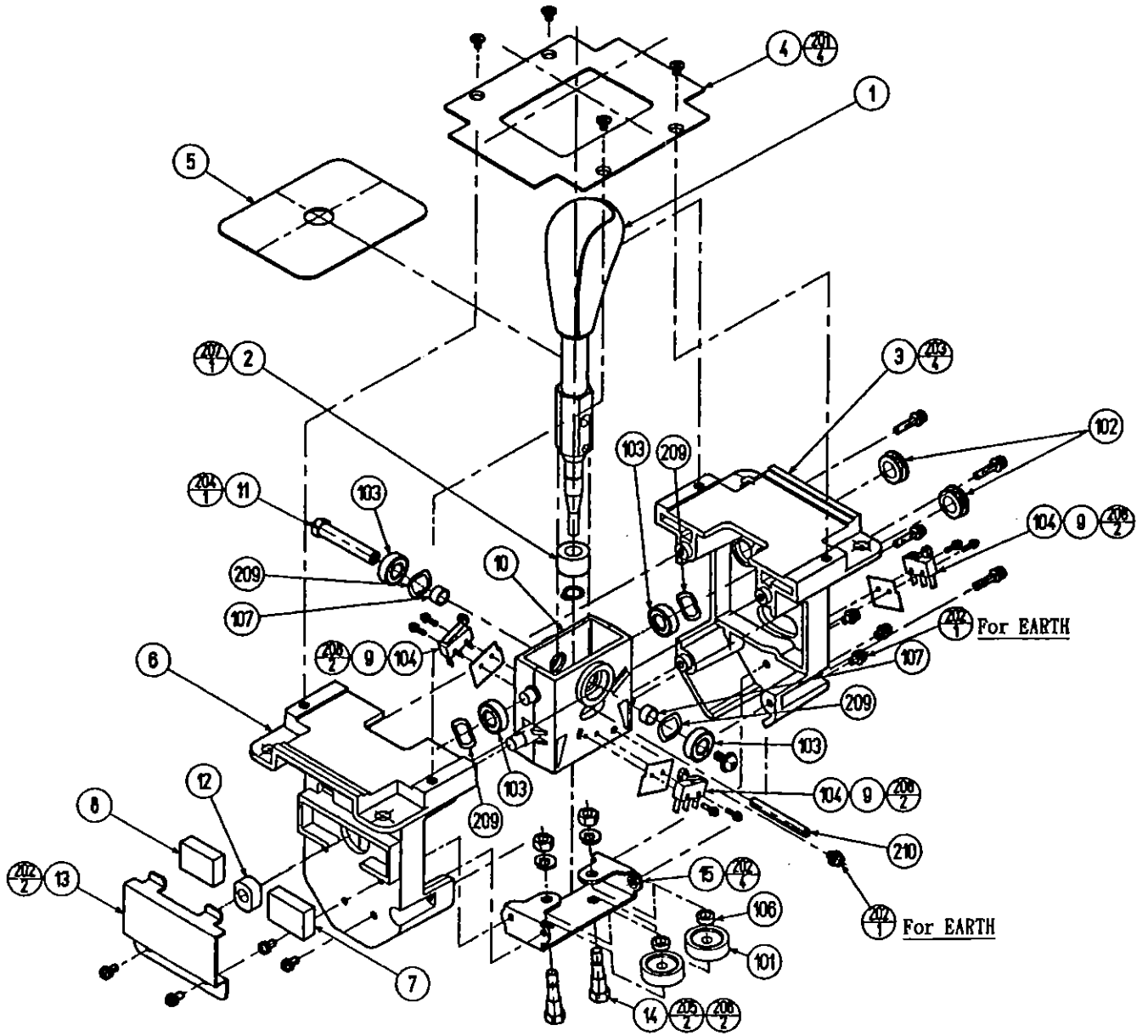
ITEM NO.	PART NO.	DESCRIPTION
1	STC-1650	ASSY WOOFER
2	DUT-2202	UPPER SEAT
3	DUT-2203	LOWER SEAT
4	STC-2201	SEAT BASE
5	STC-1604	SEAT FRAME
6	DUT-1601	SEAT REAR COVER 1P
7	STC-1606	SEAT MOUNT TRAY
8	STC-1607	SP MOUNT BRKT
9	STC-1608	SPEAKER NET L
10	STC-1609	SPEAKER NET R
11	STC-1610	SAFETY GUARD
12	STC-1611	CABLE BEAR BRKT
13	STC-1612	PROTECT RUBBER
14	STC-1613	SAFETY GUARD F
15	INY-1302-B	MASK CUSHION SIDE
101	601-9059	SEAT RAIL L
102	601-9060	SEAT RAIL R
103	130-5159	GULL BOX SPEAKER 80OHM 5W
105	601-6563-188	BUSH 2.4T
106	601-6563-100	BUSH 2.4T
107	280-5297	SCRIVET 8 1K31
201	000-P00410-W	M SCR PH W/FS M4X10
203	030-000816-S	HEX BLT W/S M8X16
205	050-H00800	HEX NUT M8
206	060-S00800	SPR WSHR M8
210	000-T00616-0B	M SCR TH BLK M6X16
211	010-P00408-F	S-TITE SCR PH W/F M4x8

ASSY WOOFER (STC-1650)



ITEM NO.	PART NO.	DESCRIPTION
1	STC-1651	WOOFER BRKT F
2	STC-1652	WOOFER BRKT R
101	130-5160	SUB WOOFER 4 OHM 30W

ASSY 4 SPEED SHIFTER (SPG-2150)



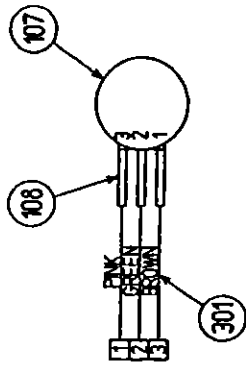
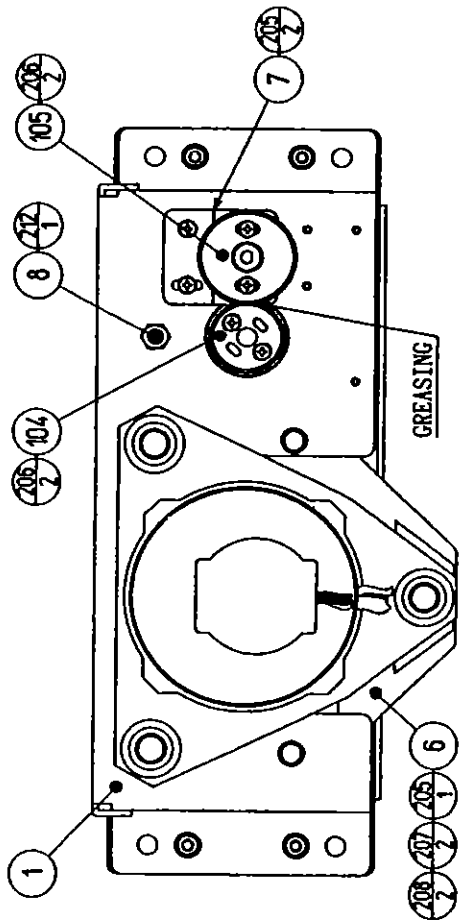
ASSY 4 SPEED SHIFTER (SPG-2150)

ITEM NO.	PART NO.	DESCRIPTION
1	SPG-2151	SHIFT KNOB
2	SPG-2152	STOPPER RUBBER
3	SPG-2153	FRONT BASE
4	SPG-2154	SLIDE COVER
5	SPG-2155	SLIDE PLATE
6	SPG-2156	REAR BASE
7	SPG-2157	RUBBER BLOCK 45
8	SPG-2158	RUBBER BLOCK 65
9	SPG-2159	INSULATOR SHEET
10	SPG-2160	SHAFT CASE
11	SPG-2161	SHAFT BOLT
12	SPG-2162	CENTERING BLOCK
13	SPG-2163	RUBBER CASE
14	SPG-2164	ROLLER BOLT
15	SPG-2165	ROLLER SUPPORT
101	100-5252	BEARING ROLLER 25
102	100-5193	GROMMET 11
103	100-5170	BEARING 8
104	509-5636	SW MICRO TYPE SS-5GL2T
106	280-5306	SPACER FAI 6X30
107	280-5307	SPACER FAI 8X55
201	000-F00406	M SCR FH M4X6
202	000-O00410-W	M SCR PH W/FS M4X10
203	000-P00420-W	M SCR PH W/FS M4X20
204	000-P00508-W	M SCR PH W/FS M5X8
205	050-H00600	HEX NUT M6
206	060-S00600	SPR WSHR M6
207	065-S010S0-Z	STP RING BLK OZ S10
208	FAS-00033	M SCR PH W/FS M2.3X12
209	FAS-650008	WAVE WSHR 12.7-18.1X2.5
210	FAS-450006	SPR PIN WAVE STN 5X45

ASSY ACCEL&BRAKE (SPG-2200)

ITEM NO.	PART NO.	DESCRIPTION
1	SPG-2201	BASE
2	SPG-2202	ACCEL PEDAL
3	SPG-2203	BRAKE PEDAL
4	SPG-2204	ACCEL SPRING
5	SPG-2205	BRAKE SPRING
6	SPG-2206	SHAFT
7	SPG-2207	ACCEL GEAR
8	SPG-2208	BRAKE GEAR
9	SPG-2209	NUETRAL STOPPER
10	SPG-2210	VR PLATE ACCEL
11	SPG-2211	VR PLATE BRAKE
12	SPG-2212	AMPL GEAR
13	SPG-2213	GEAR SHAFT
14	SPG-2214	STOPPER
15	SPG-2215	RUBBER CUSHION
16	SPG-2216	COVER
17	SPG-2217	VR COVER
19	SPG-2219	GEAR STAY
20	SPG-2220	WSHR
21	SPG-2221	NUETRAL STOPPER
101	100-5263	BEARING 12
102	220-5484	VOL CONT B-5K OHM
104	601-7944	GEAR 15
105	310-5029-F15	SUMI TUBE F F 15MM
106	280-0419	HARNESS LUG
201	028-A00304-P	SET SCR HEX SKT CUP P M3X4
202	020-000520-OZ	HEX SKT H CAP SCR BLK M5X20
203	000-P00420	M SCR PH M4X20
204	000-P00508-W	M SCR PH W/FS M5X8
205	000-T00408-0C	M SCR TH CRM M4X20
206	FAS-450005	SPR PIN BLK OZ 6X10
207	000-P00405	M SCR PH M4X5
208	FAS-000001	M SCR TH CRM M3X6
209	050-H00500	HEX NUT M5
210	060-F00400	FLT WSHR M4

ASSY HANDLE MECHA (SPG-2500)



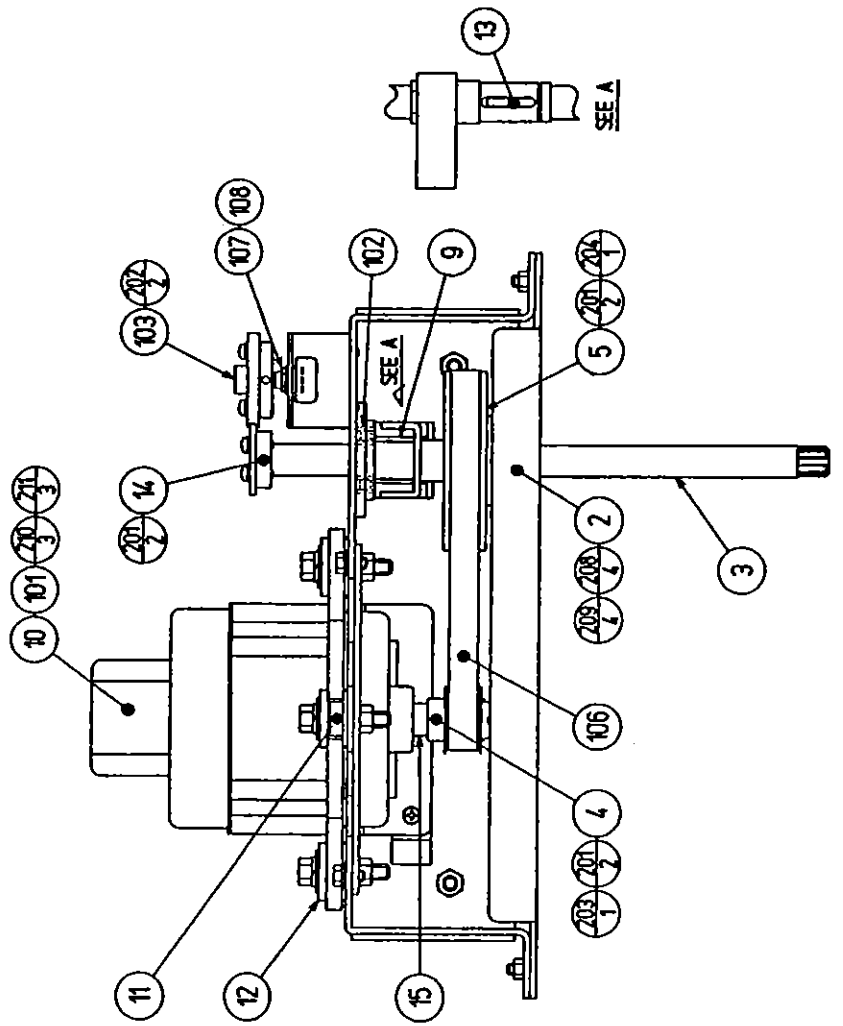
SCREW FASTENING TORQUE TO BE

M3: 7.5kgf·cm

M4: 18kgf·cm

M6: 57kgf·cm

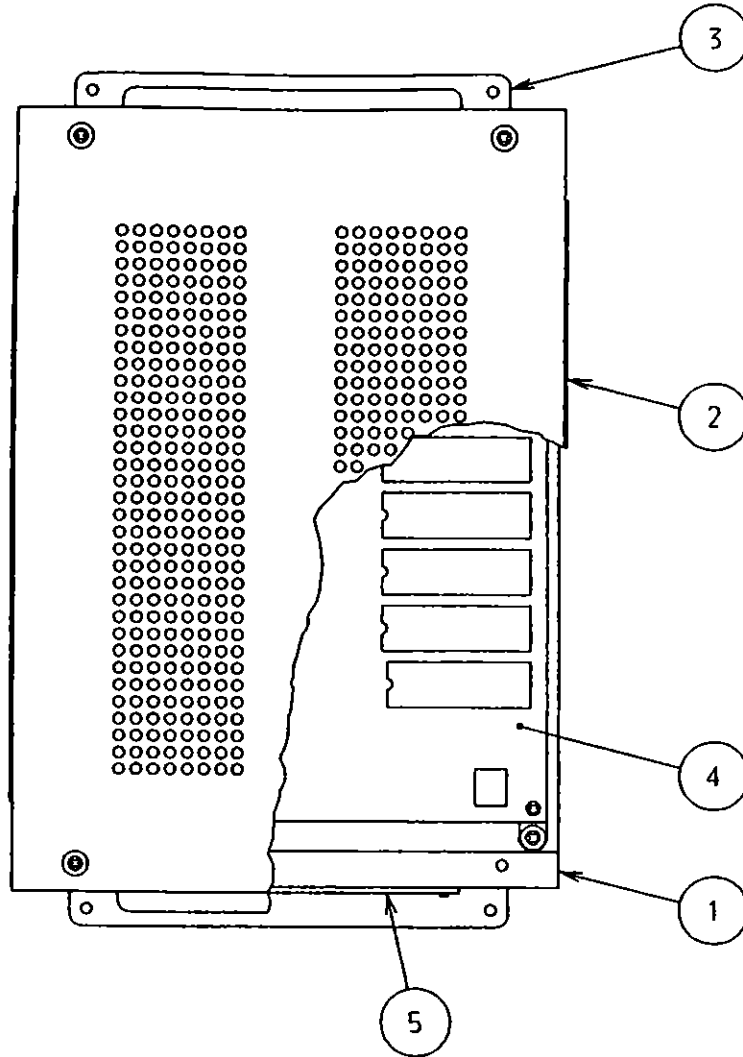
M8: 178kgf·cm



ASSY HANDLE MECHA (SPG-2500)

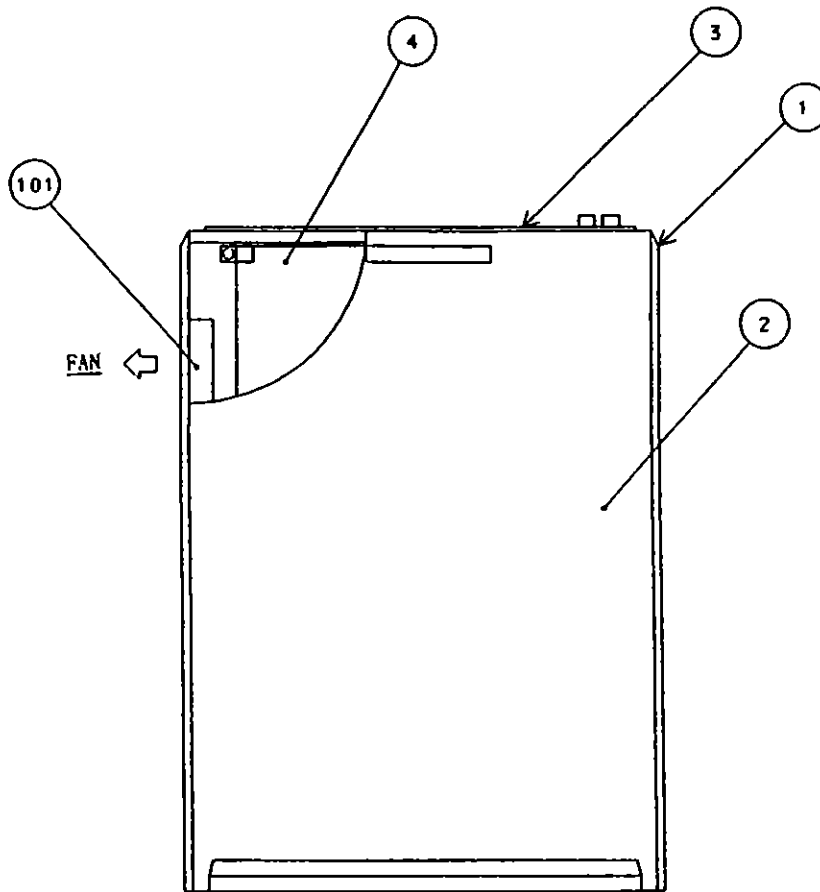
ITEM NO.	PART NO.	DESCRIPTION
1	SPG-2501	HANDLE BASE
2	SPG-2502	BASE LID
3	SPG-2503	HANDLE SHAFT
4	SPG-2504	PULLEY 20 S5M
5	SPG-2505	PULLEY 60 S5M
6	SPG-2506	MOTOR BRKT
7	SPG-2507	VR BRKT
8	SPG-2108	STOPPER BOLT
9	SPG-2109	STOPPER RUBBER
10	SPG-2453	KEY 4X4X40
11	ASK-3502	MOTOR SPACER
12	ASK-3503	MOTOR COLLAR
13	DYN-1270	STOPPER KEY
14	SLC-1130	ADJUST RING
15	SPG 2454	MOTOR SHAFT COLLAR
101	350-5448-01	SERVO MOTOR 500W NEW
102	100-5112	BEARING 17
103	601-8966	GEAR HOLDER
104	601-6172	GEAR 48
105	601-6959	GEAR 64
106	601-9173	TIMING BELT
107	220-5484	VOL CONT B-5K OHM
108	310-5029-F20	SUMITUBE F F 20MM

ASSY SOUND BD (DUT-4150)



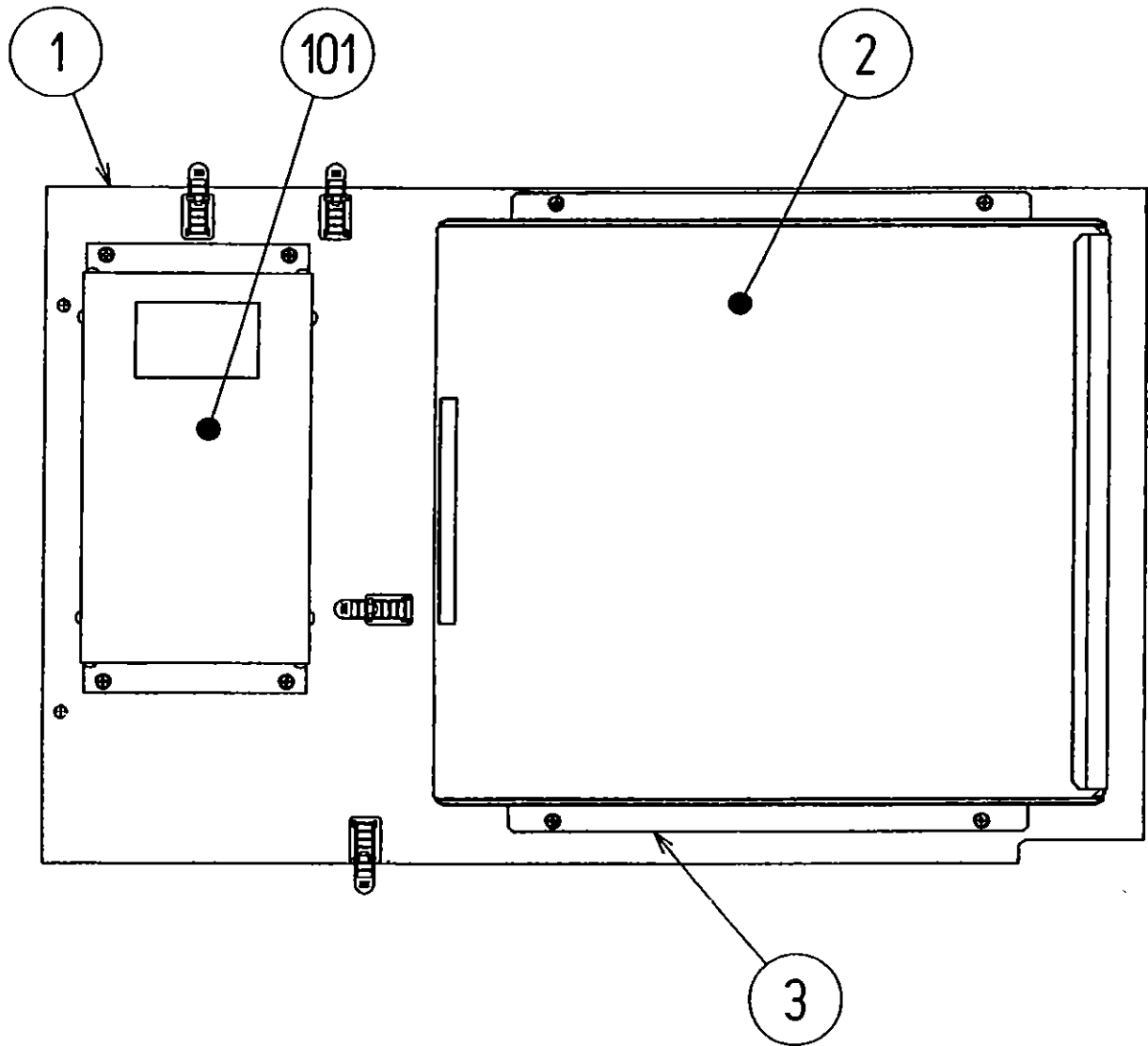
TEM NO.	PART NO.	DESCRIPTION
1	105-5315	SHIELD CASE MPEG
2	105-5316	SHIELD CASE LID MPEG
3	105-5317	SHIELD CASE BRKT MPEG
4	837-13429	SOUND BD DAYTONA USA2
5	839-1021	FLT BD DIGITAL SOUND

ASSY SHIELD CASE (DUT-4300)



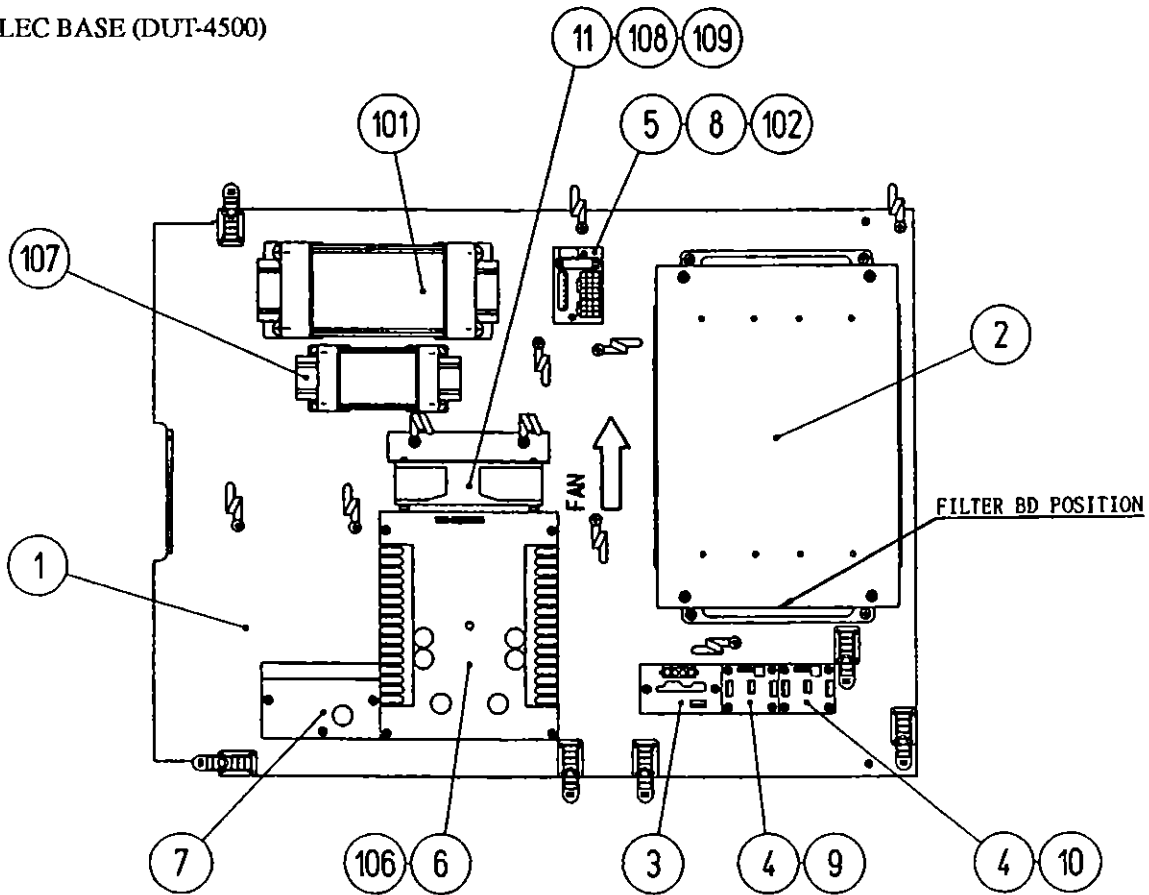
ITEM NO.	PART NO.	DESCRIPTION
1	105-5245X	SHIELD CASE MODEL 3 NVS
2	105-5242X	SHIELD CASE LID MODEL 3
3	839-0932	FILTER BD MODEL 3 SPG
4	833-13427	GAME BD DAYTONA USA2
101	260-0064	FAN MOTOR DC 12V

ASSY MAIN BD BASE (DUT1-4400)



ITEM NO.	PART NO.	DESCRIPTION
1	SRT-4401	WOODEN BASE
2	DUT-4600	ASSY SHIELD CASE
3	105-5241	SHIELD CASE BRKT
5	105-5319	CONNECTOR PANEL BRKT
101	400-5330-02-91	SW REGU FOR MODEL 3
	400-5330-03	SW REGU FOR MODEL 3

ASSY ELEC BASE (DUT-4500)

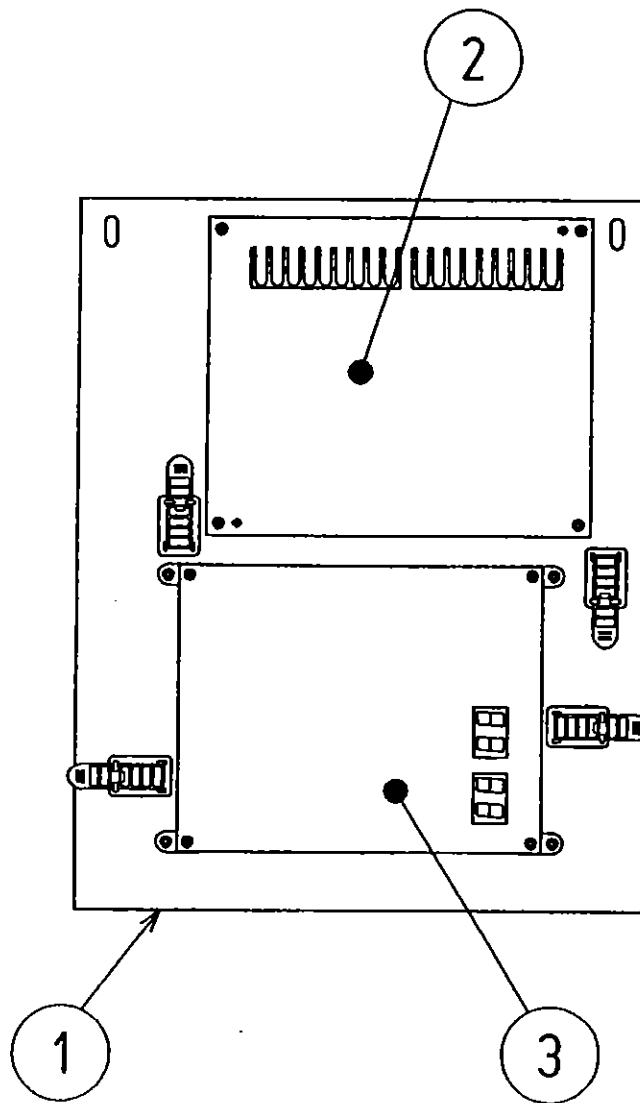


⑥ 838-13475 JUMPER SETTING

JP1		JP2	
1-20	OFF	6-15	OFF
2-19	OFF	7-14	OFF
3-18	OFF	8-13	OFF
4-17	OFF	9-12	OFF
5-16	OFF	10-11	ON
		1- 8	OFF
		2- 7	ON
		3- 6	OFF
		4- 5	OFF

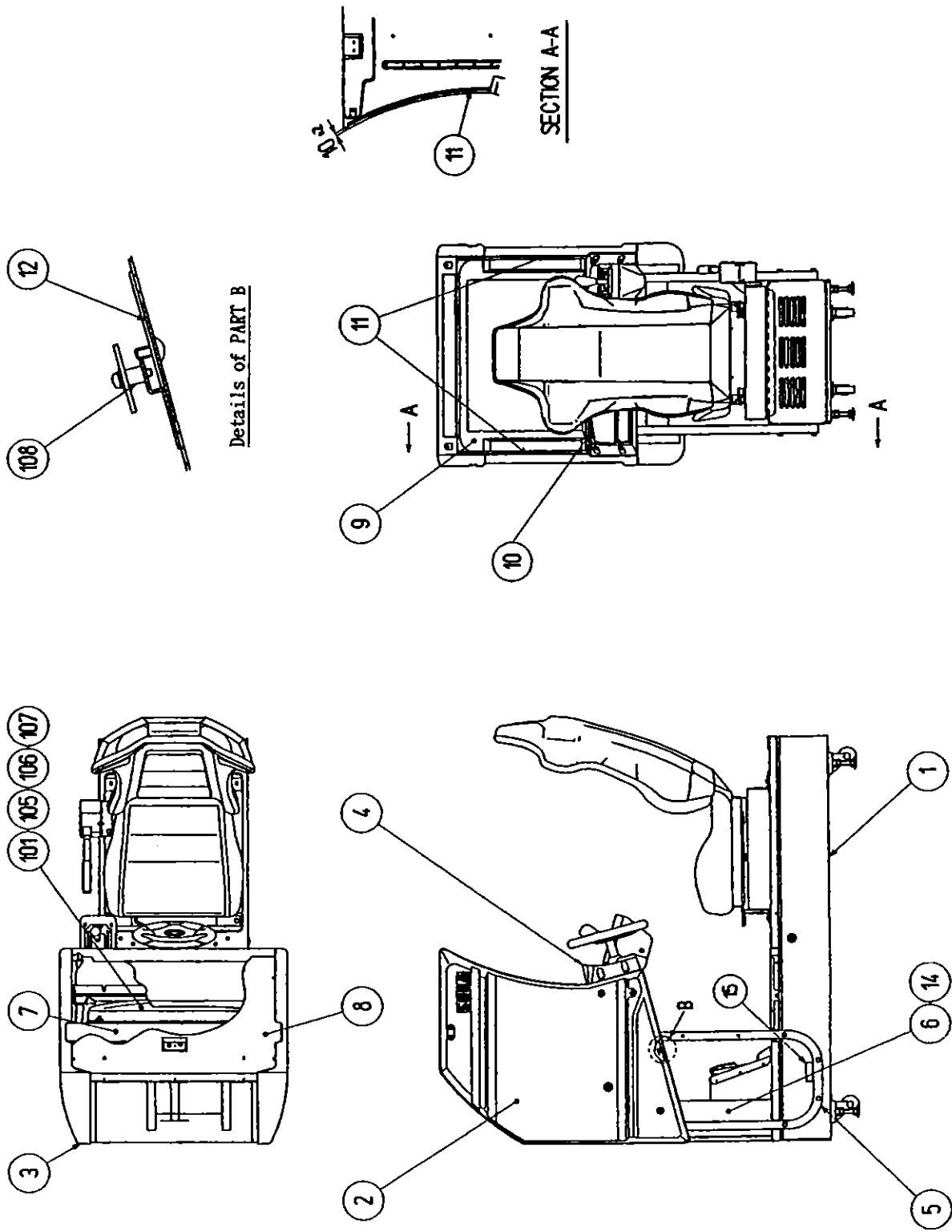
ITEM NO.	PART NO.	DESCRIPTION
1	DUT-4501	WOODEN BASE ELEC
2	DUT-4150	ASSY SOUND BD
3	839-0718-01	4A DC SSR BD CONN BROWN
4	839-0542	AUDIO MIX BD
5	838-11856-01-UL	CONECT BD W/FUSE & COVER UL
6	838-13475	PWR AMP 4CH & MIXER
7	838-11651-91	LOWPASS AMP
11	BY-4102	FAN MOTOR BRACKET
101	560-5393	XFMR 200-240V 100V 8Ax2 WB
102	LOCAL PURCHASE	7A slo FUSE
107	560-5394	XFMR 100V 14V10.5A WB
108	260-0011-02	AXIAL FLOW FAN AC100V 50-60 Hz
109	601-8543	FAN GAURD

ASSY DRIVE BD TWIN (DUT-4550)



ITEM NO.	PART NO.	DESCRIPTION
1	SRT-4551	WOODEN BASE DRIVE TWIN
2	838-12912-01	SERVO MOTOR DRIVE BD NEW
3	838-13481	DRIVE BD DUT

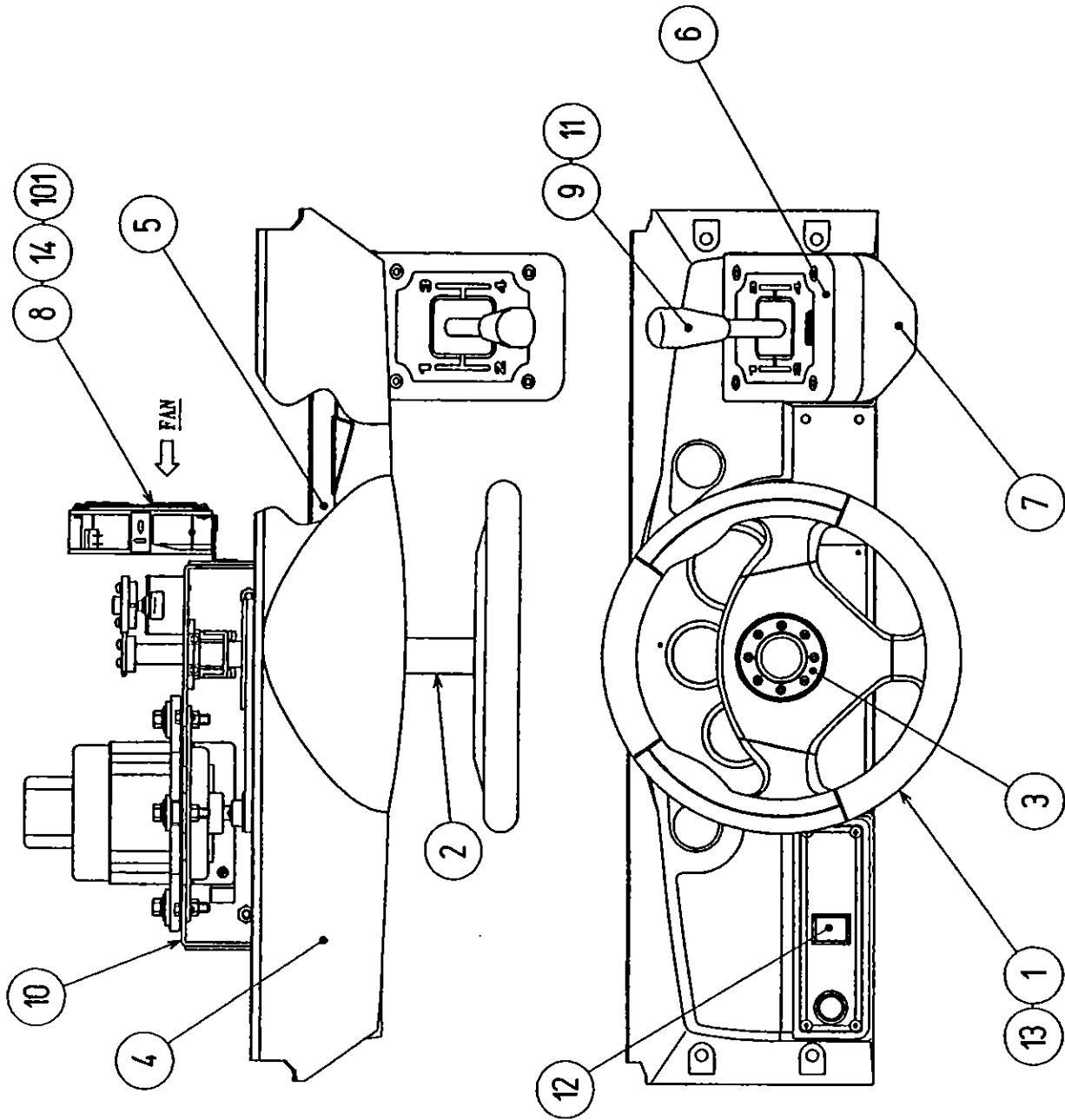
ASSY COCKPIT 1P (DUT-10001)



ASSY COCKPIT 1P (DUT-10001)

ITEM NO.	PART NO.	DESCRIPTION
1	DUT-20001	ASSY MAIN BASE 1P
2	DUT-1030	ASSY MONITOR COVER L 1P
3	DUT-1045	ASSY MONITOR COVER R 1P EXP
4	DUT-12001-01	ASSY CONTROL PANEL TWIN EXP
5	SPG-1004	MONITOR STAND
6	SRT-1002	WIRE COVER BOX
7	INY-1016	MONITOR SUPPORT
8	SPG-1008	ROOF LID
9	TTR-1067X	MONITOR MASK
10	SPG-1005	MASK HOLDER
11	DYN-1025	RUBBER CUSHION
12	INY-1015	CRT ADJUST PANEL
14	DUT-4550	ASSY DRIVE BD TWIN
101	200-5242-24-04	ASSY CLR DSPL 29 TYPE 100V
	200-5243-24	ASSY CLR DSPL 29 TYPE 24K 100V
105	280-5112	BUSH FOR TV
106	280-5113	COLLAR FOR TV
107	280-5114	SPACER 6.4-25x2
108	280-5185-6	SPACER TUBE L=6
109	601-6231-C100	EDGING NEW TYPE

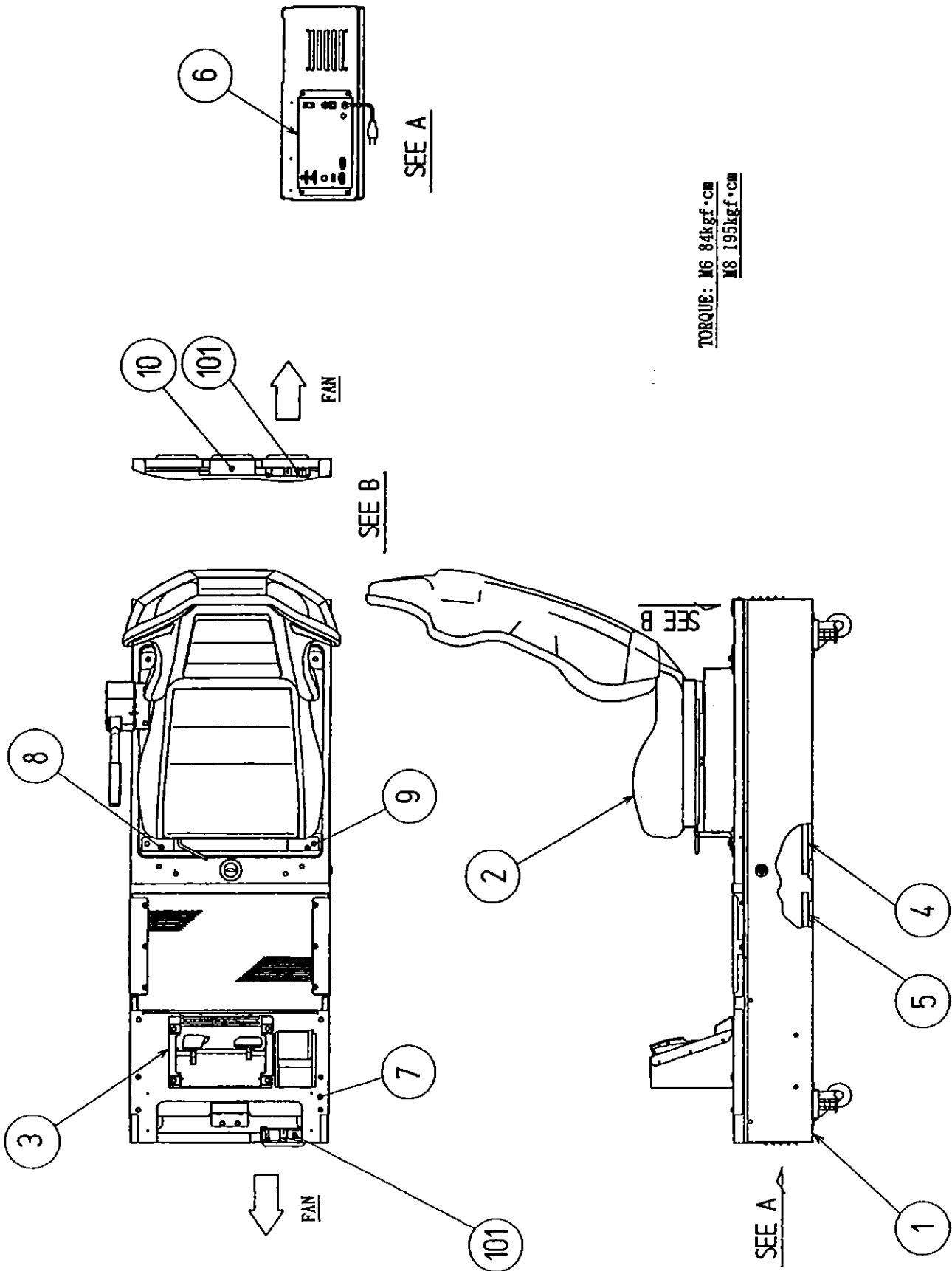
ASSY CONTROL PANEL (DUT-12001-01)



ASSY CONTROL PANEL (DUT-12001-01)

ITEM NO.	PART NO.	DESCRIPTION
1	SPG-2001	STEERING WHEEL
2	DYN-1209X	HANDLE COLLAR
3	SPG-2002	STEERING EMBLEM
4	DUT-1201-01	CONTROL PANEL COVER ENG
5	SPG-1205	CONTROL PANEL BRKT
6	DYN-1222	SHIFT COVER A
7	DYN-1223X	SHIFT COVER B
8	SPG-1203	FAN BRKT
9	SPG-1204	SPL BLT M8
10	SPG-2500	ASSY HANDLE MECHA
11	SPG-2150	ASSY 4 SPEED SHIFTER
12	SRT-1290	ASSY VIRTUAL BUTTON TWIN
13	SPG-2039	SPACER RING
14	601-8543	FAN GUARD
101	260-0011-02	AXIAL FLOW FAN AC 100V 50-60HZ

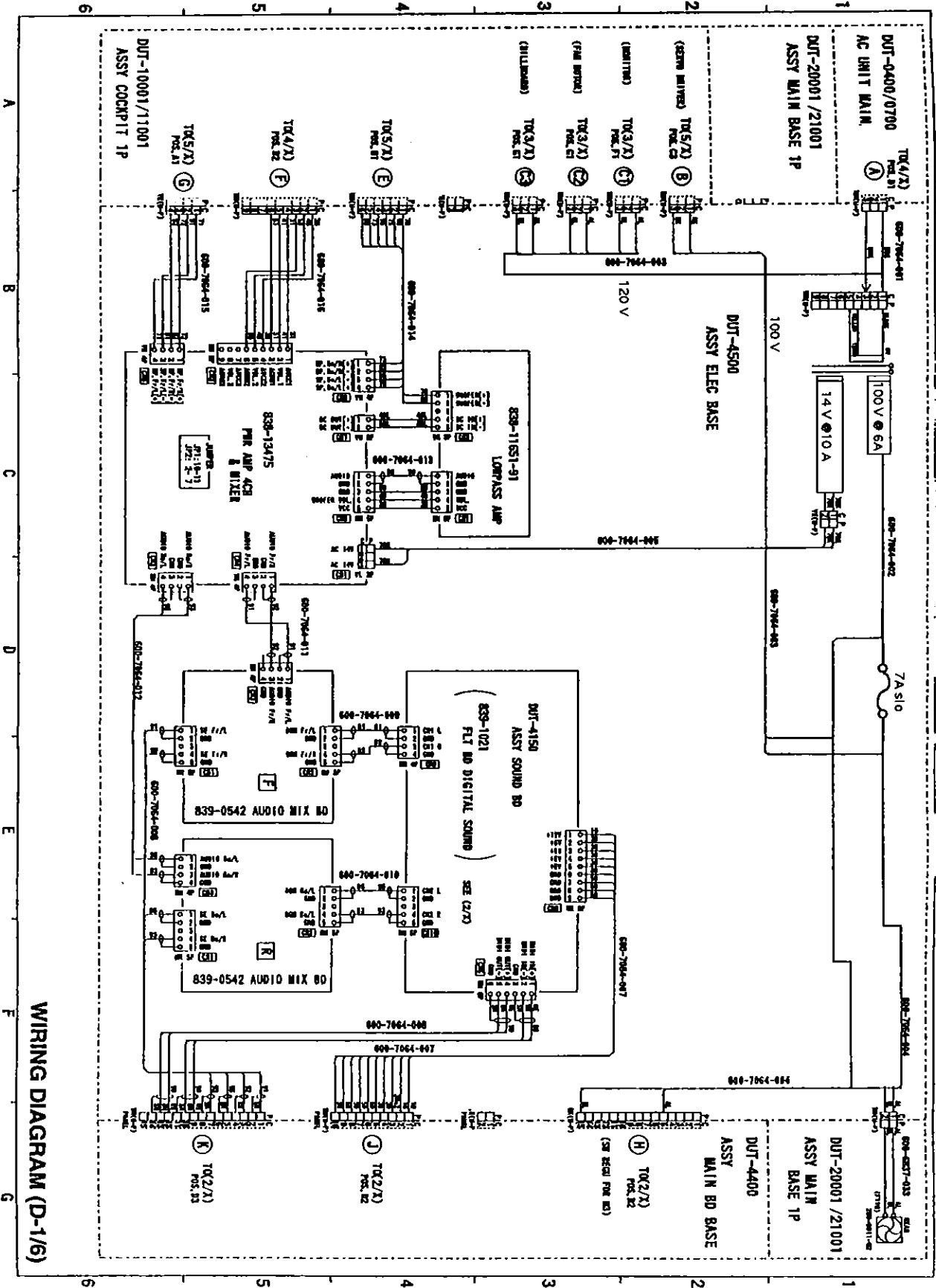
ASSY MAIN BASE 1P (DUT-20001)



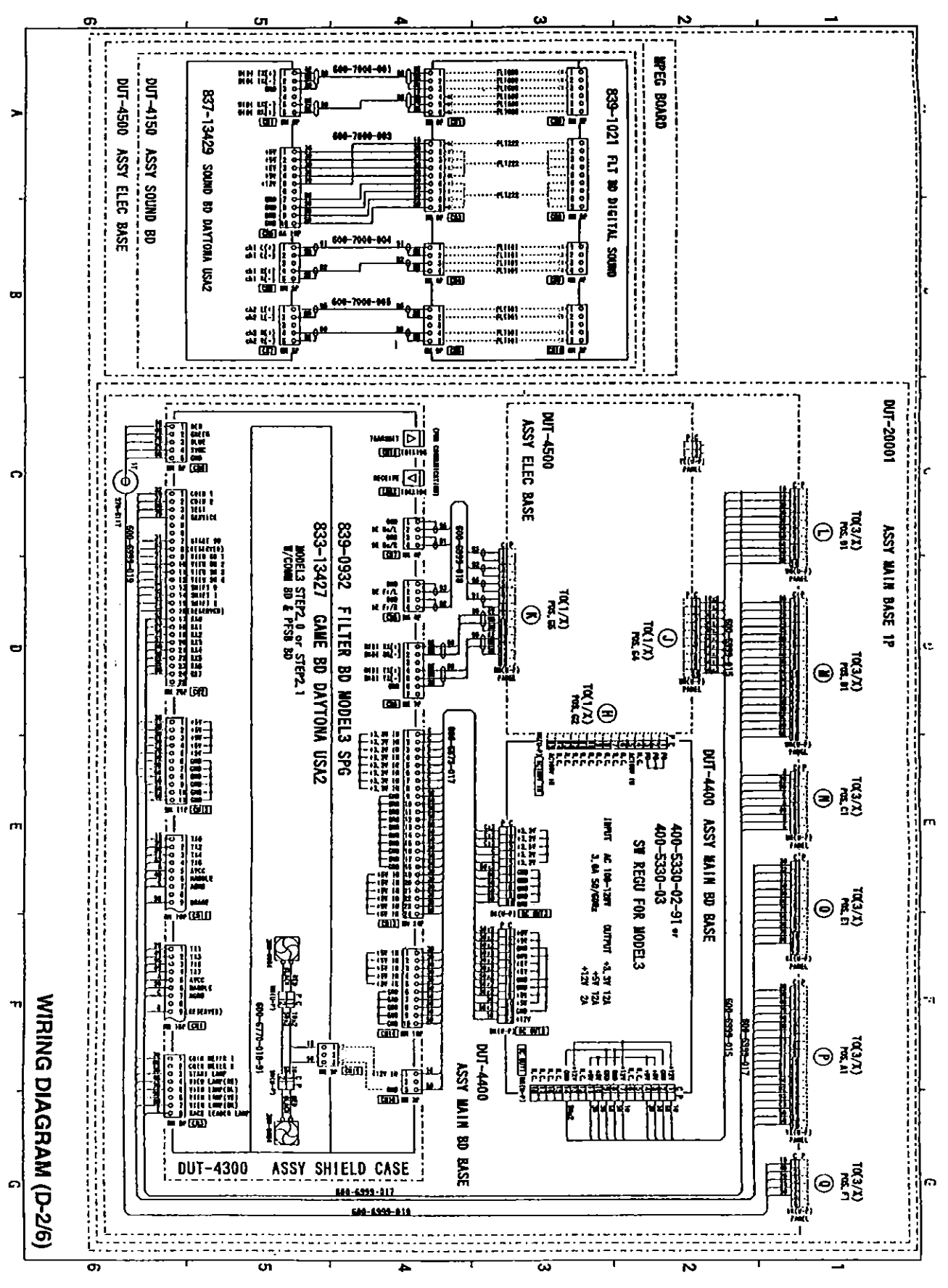
ASSY MAIN BASE 1P (DUT-20001)

ITEM NO.	PART NO.	DESCRIPTION
1	DUT-1500	ASSY BASE BOX
2	DUT-1600	ASSY SEAT TWIN 1P
3	SPG-2200	ASSY ACCEL&BRAKE
4	DUT1-4400	ASSY MAIN BD BASE
5	DUT-4500	ASSY ELEC BASE
6	DUT-0400	AC UNIT MAIN EXP
7	SPG-1502	PEDAL BASE
8	RAL-2007	RUBBER HOLDER R TWIN
9	RAL-2008	RUBBER HOLDER L TWIN
10	SPG-1503	FAN BRKT
101	260-0011	AXIAL FLOW FAN AC100V 50-60 HZ

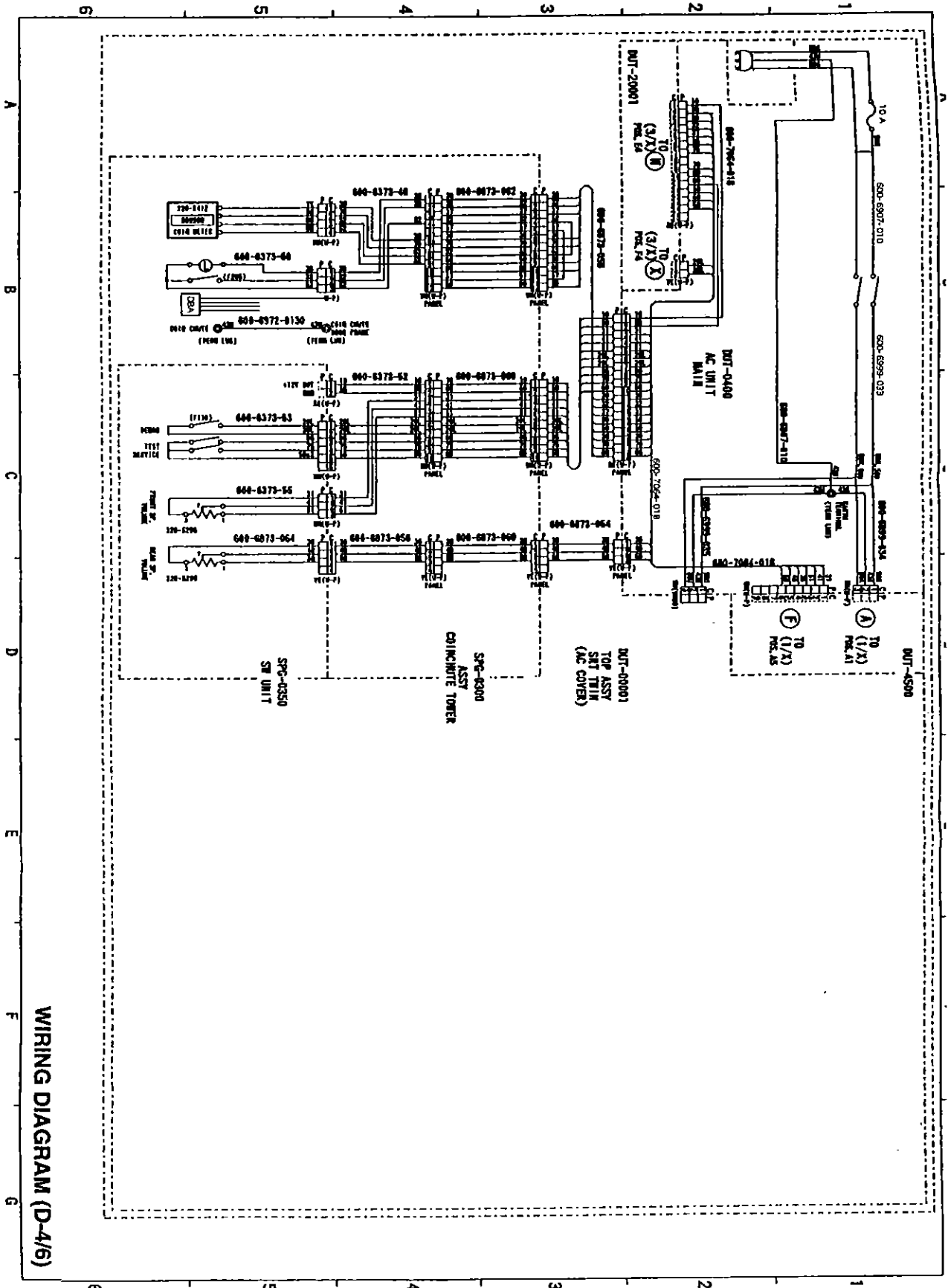




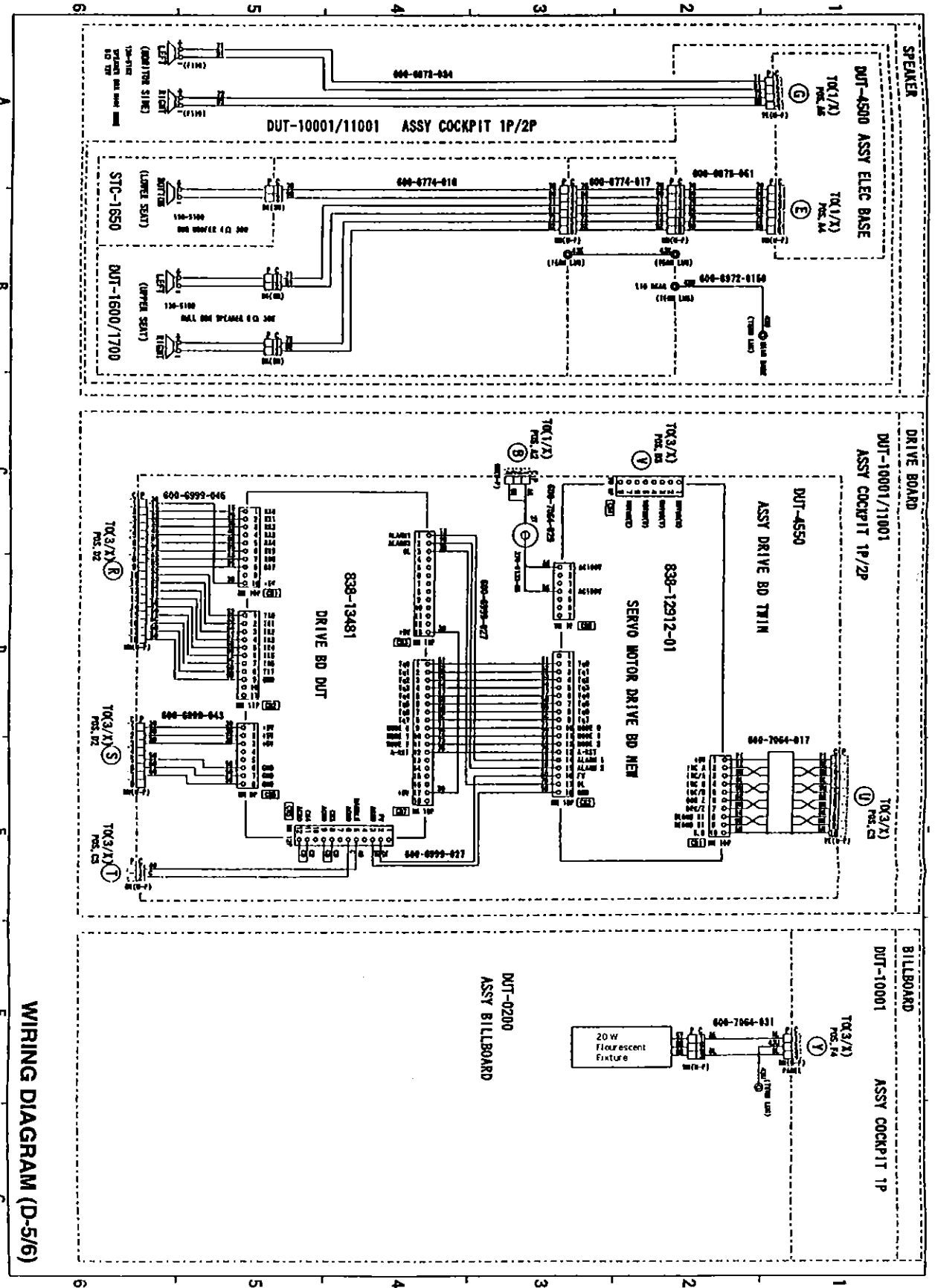
WIRING DIAGRAM (D-1/6)



WIRING DIAGRAM (D-2/6)



WIRING DIAGRAM (D-4/6)



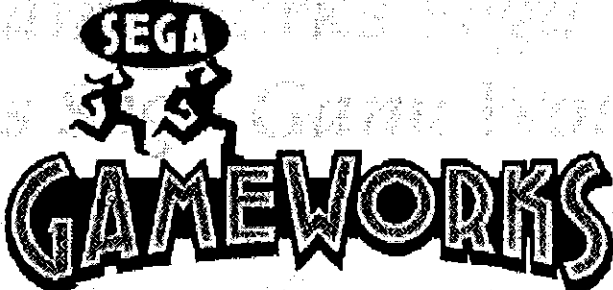
WIRING DIAGRAM (D-5/6)

Come see Sega GameWorks Service Department's Homepage


Netscap: Welcome to Sega GameWorks!

Back Forward Reload Home Search Guide Images Print Security Stop

Location: <http://www.sgwservice.com/>



Welcome to the
Service Department Home Page



The following options
are available to you :

- [What's new on the site Check Here](#)
- [Look up your local Sega Distributor](#)
- [Go to Individual Manuals and Bulletins](#)
- [Find an Individual Part Number](#)
- [Find a Manual Part Number](#)
- [Get Info on your Game Monitor](#)
- [Get Info on your Board System](#)
- [Talk to the Service Staff](#)
- [Sign up to Receive Service Bulletins](#)
- [What is going on in Darl's Office](#)

Sega GameWorks Service Department

Phone (415)-802-1750
Fax (415)-802-1754



SEGA ENTERPRISES, INC. (USA)

45133 Industrial Drive
Fremont, CA 94538
650-802-1750 phone
650-802-1754 fax