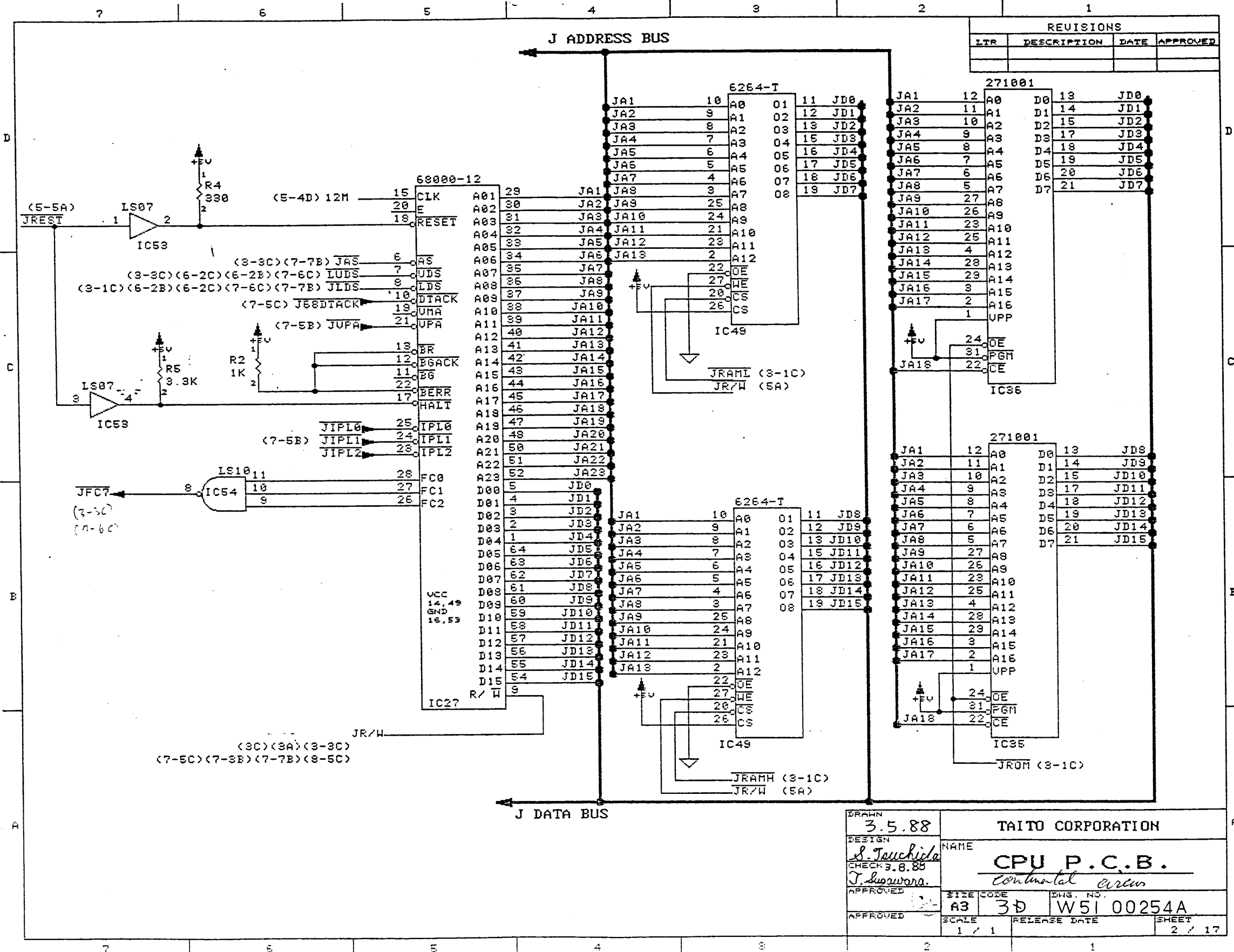


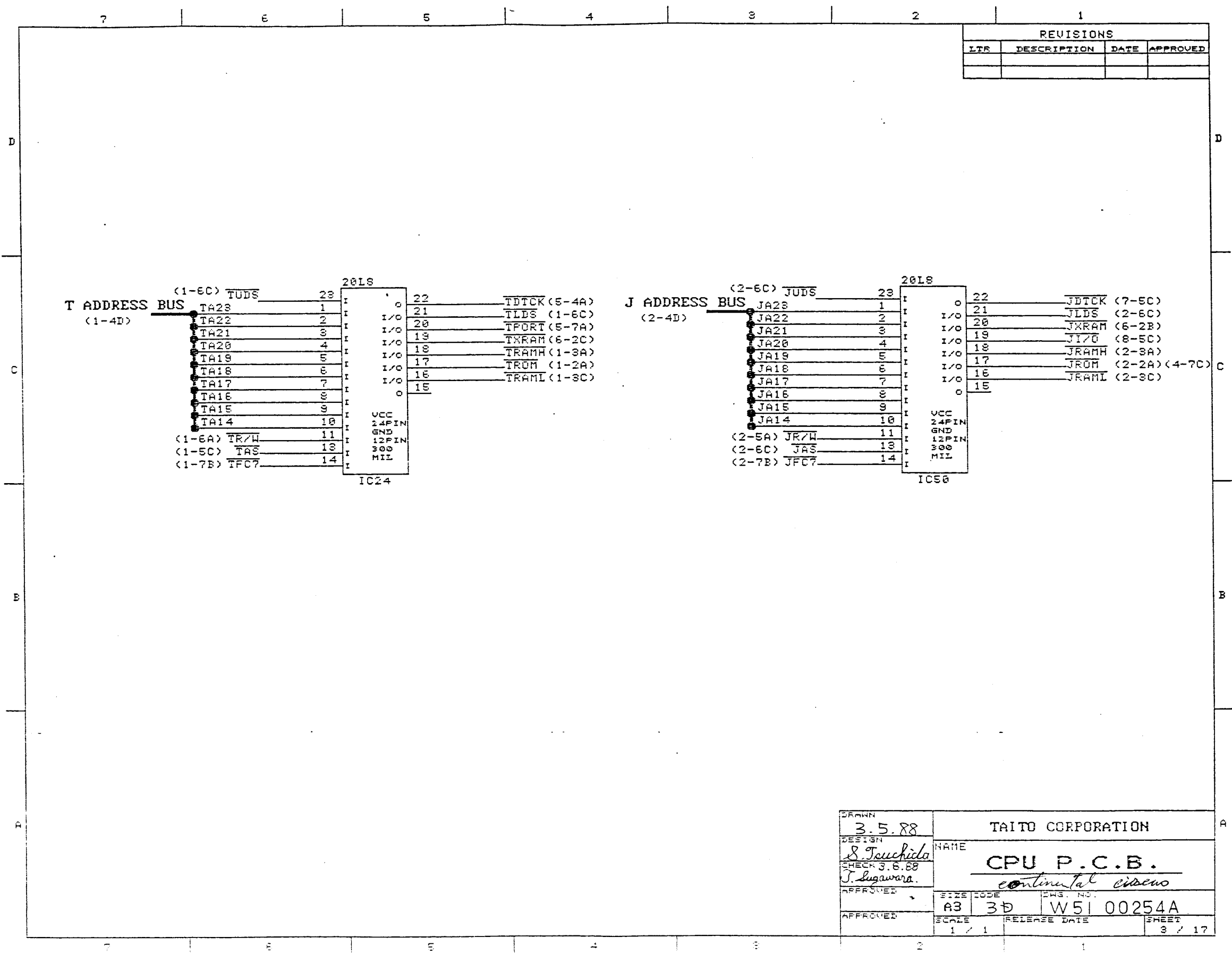
REVISIONS			
LTR	DESCRIPTION	DATE	APPROVED

DRAWN <b>3.5.88</b> DESIGN <i>S. Touchida</i> CHECK <i>5.8.88</i> APPROVED <i>T. Sugawara</i>	TAITO CORPORATION NAME <b>CPU P.C.B.</b> <i>continental circuit</i>
APPROVED SCALE 1 / 1	DWS. NO. <b>W51 00254A</b> RELEASE DATE SHEET 1 / 17

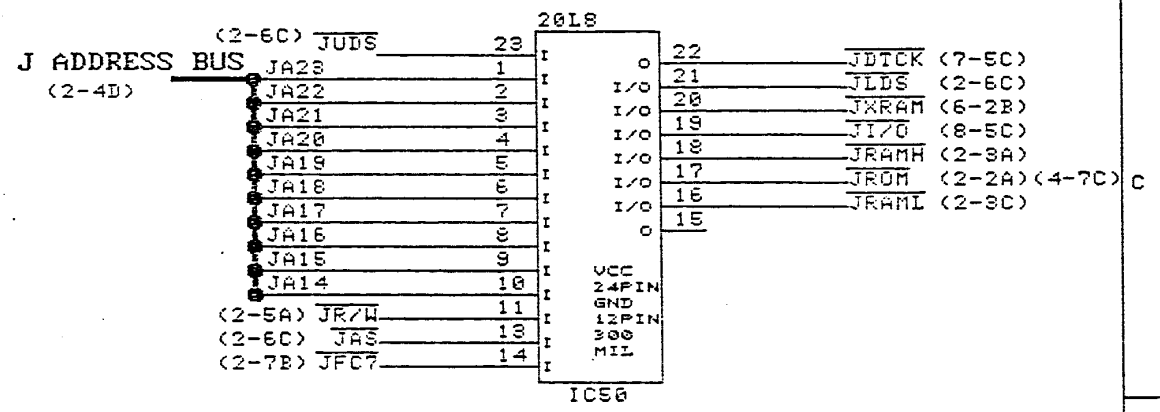
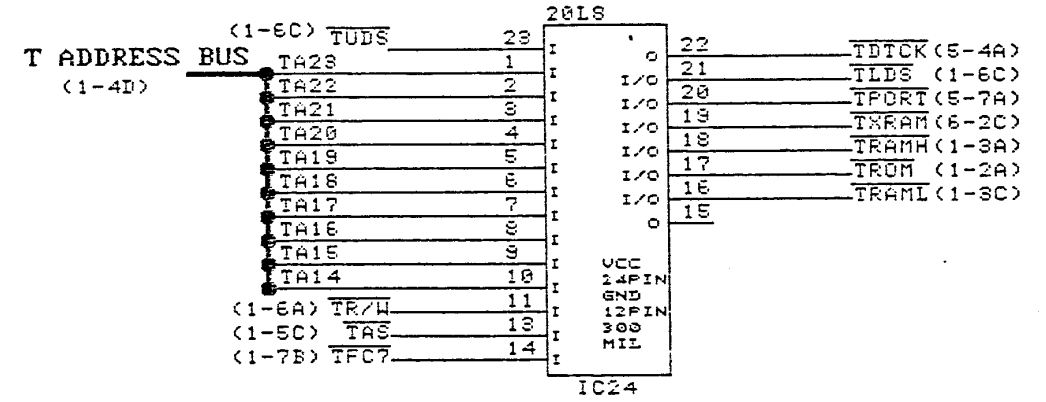
J1100138A



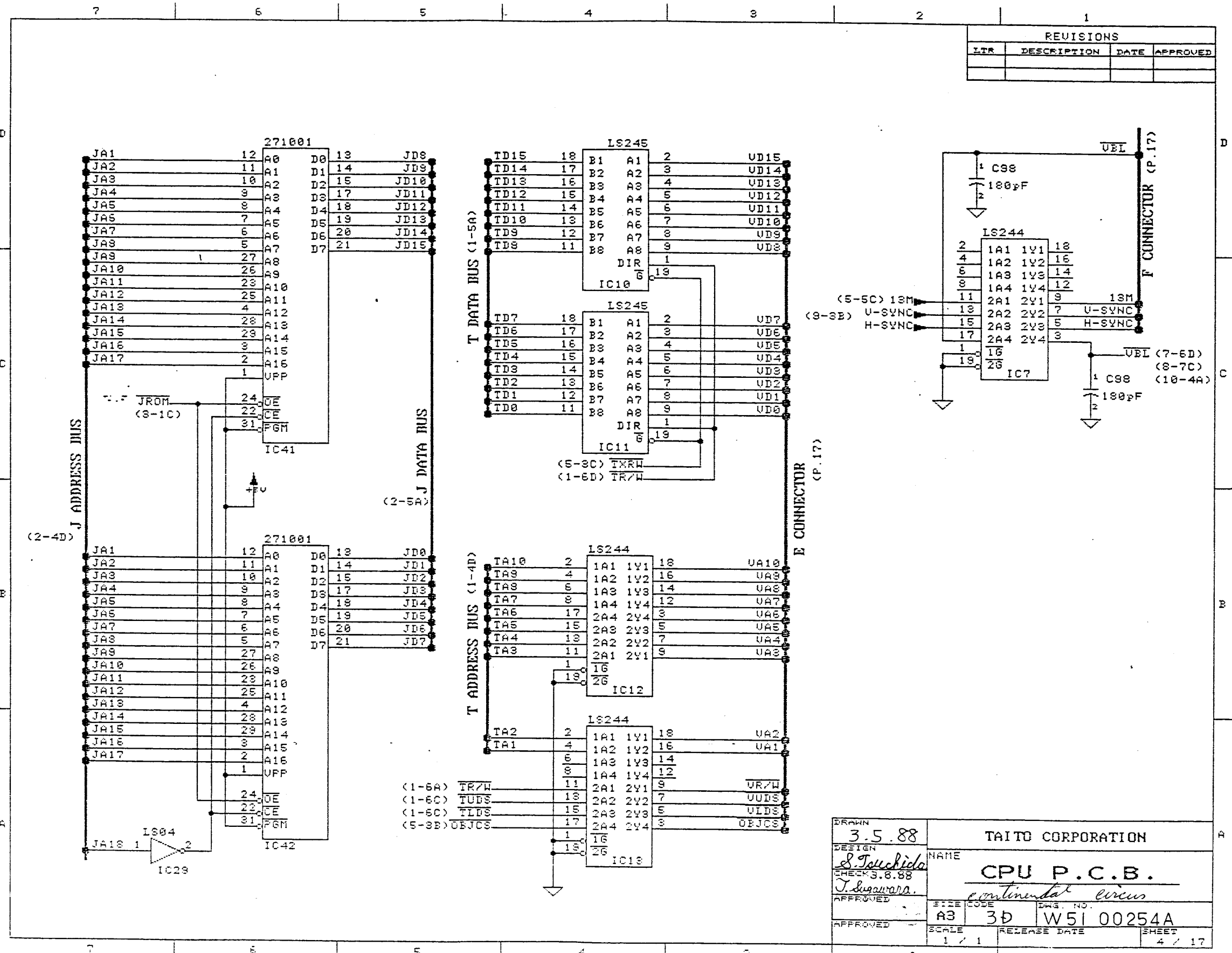
DRAWN <b>3.5.88</b>	TAITO CORPORATION	
DESIGN <i>S. Tsuchida</i>	NAME <b>CPU P.C.B.</b>	
CHECK <i>T. Suwara</i>	<i>combinational circuit</i>	
APPROVED 	SIZE CODE <b>A3 3D</b>	DES. NO. <b>W51 00254A</b>
APPROVED 	SCALE <b>1 / 1</b>	RELEASE DATE <b>2 / 17</b>



REVISIONS			
LTR	DESCRIPTION	DATE	APPROVED

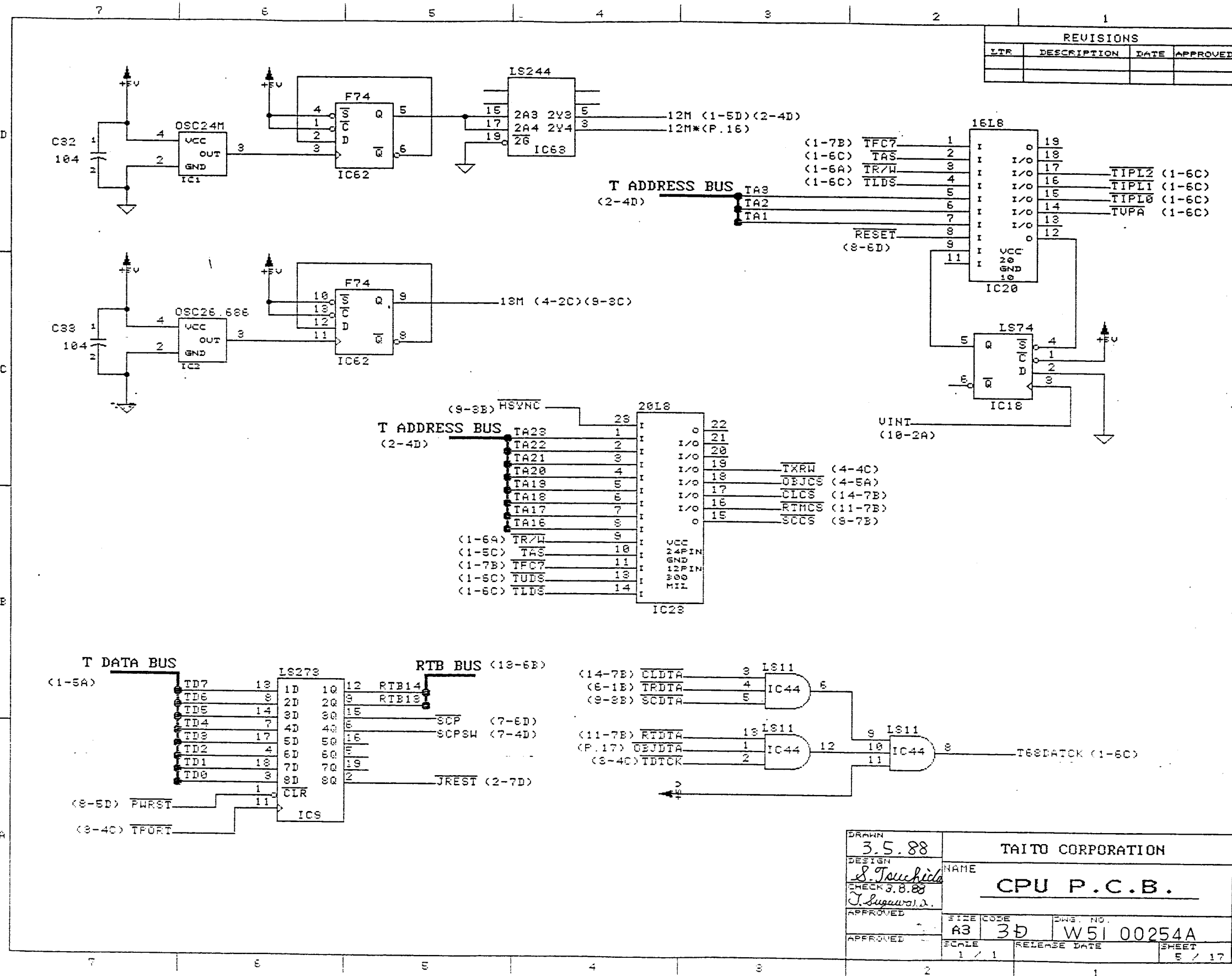


DRAWN 3.5.88	TAITO CORPORATION		
DESIGN <i>S. Tsuchida</i>	NAME	CPU P.C.B.	
CHECK 3.6.88 <i>J. Sugawara</i>	<i>continental ciseno</i>		
APPROVED	SIZE CODE A3	DWG. NO. 3D W51 00254A	
APPROVED	SCALE 1 / 1	RELEASE DATE	SHEET 3 / 17

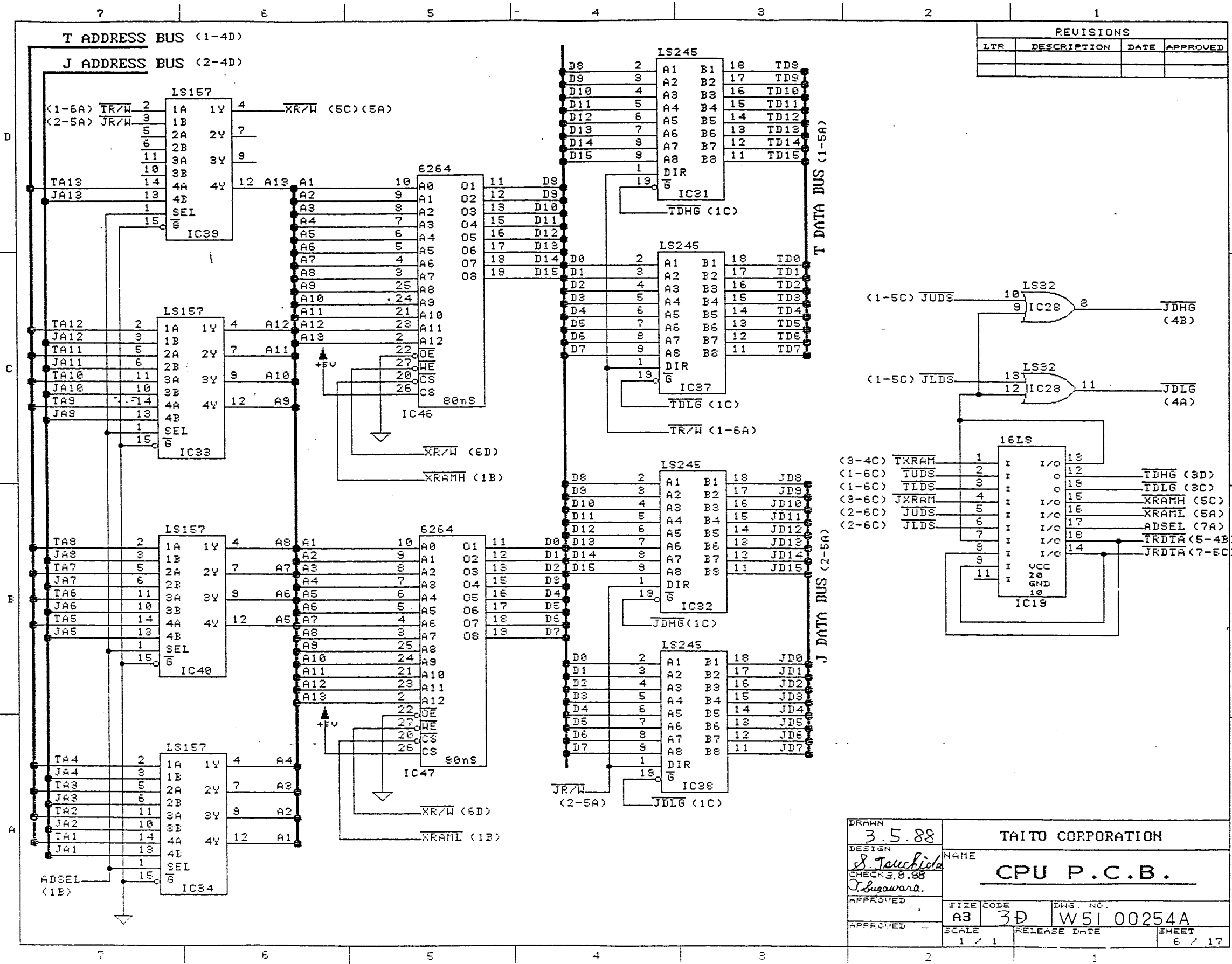


REVISIONS			
ITR	DESCRIPTION	DATE	APPROVED

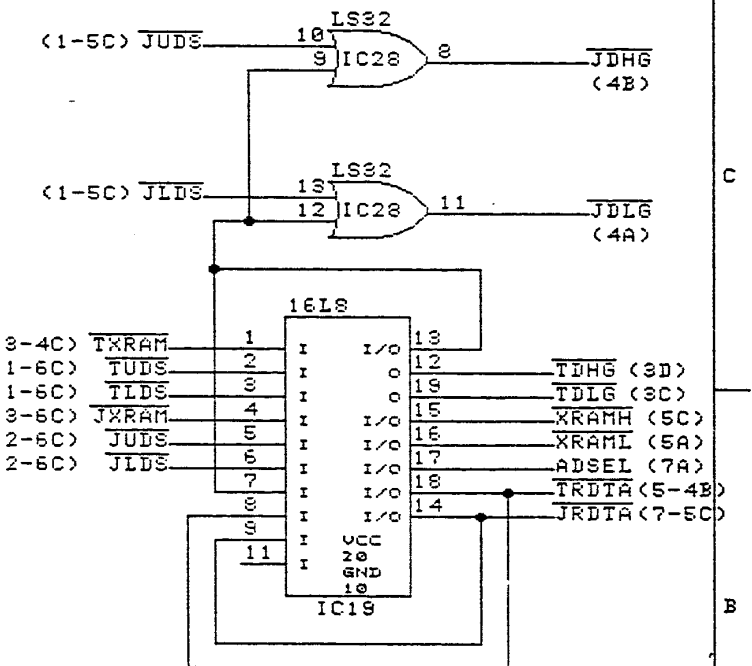
DRAWN 3.5.88		TAITO CORPORATION	
DESIGN <i>S. Tsuchida</i>		NAME	
CHECKS 3.8.88 <i>T. Sugawara</i>		CPU P.C.B.	
APPROVED		<i>continental circus</i>	
SIZE A3	CODE 3D	DWS. NO. W51 00254A	
APPROVED	SCALE 1 / 1	RELEASE DATE	SHEET 4 / 17



DRW	3.5.88	TAITO CORPORATION	
DESIGN	S. Touchida	NAME	
CHECK	3.8.88	CPU P.C.B.	
APPROVED	J. Sugawara	SIZE CODE	DWS. NO.
		A3	3D
		W51	00254A
APPROVED		SCALE	RELEASE DATE
		1 / 1	
			SHEET
			5 / 17

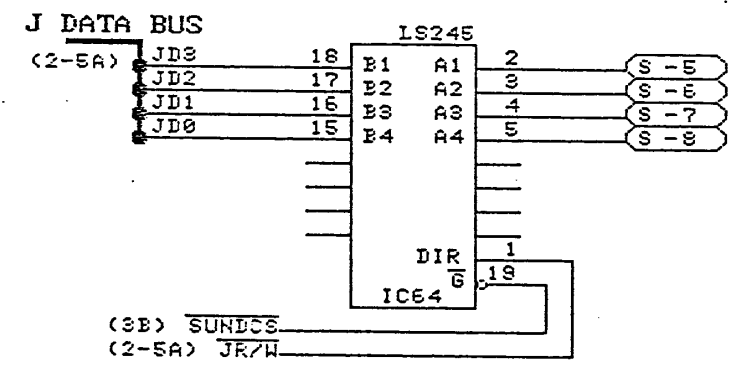
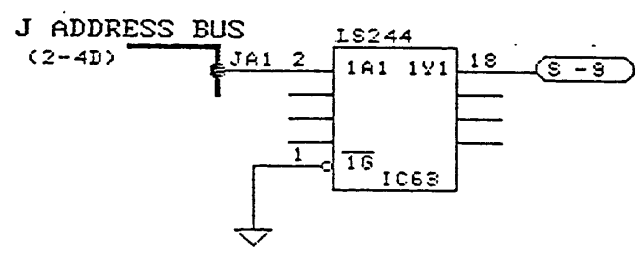
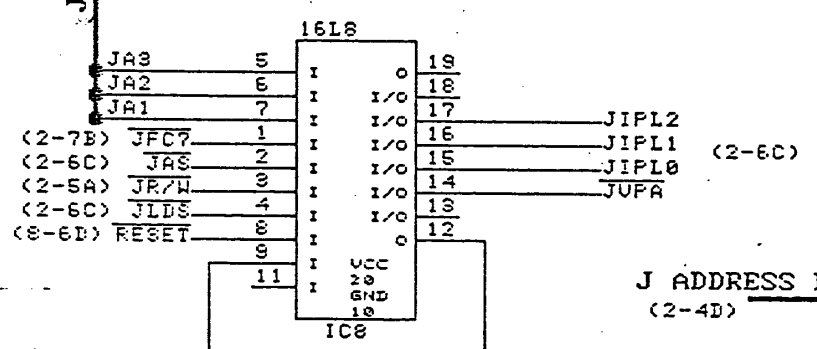
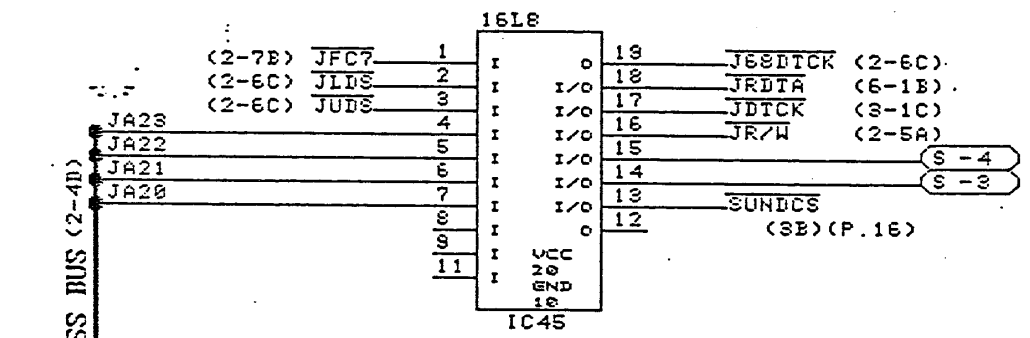
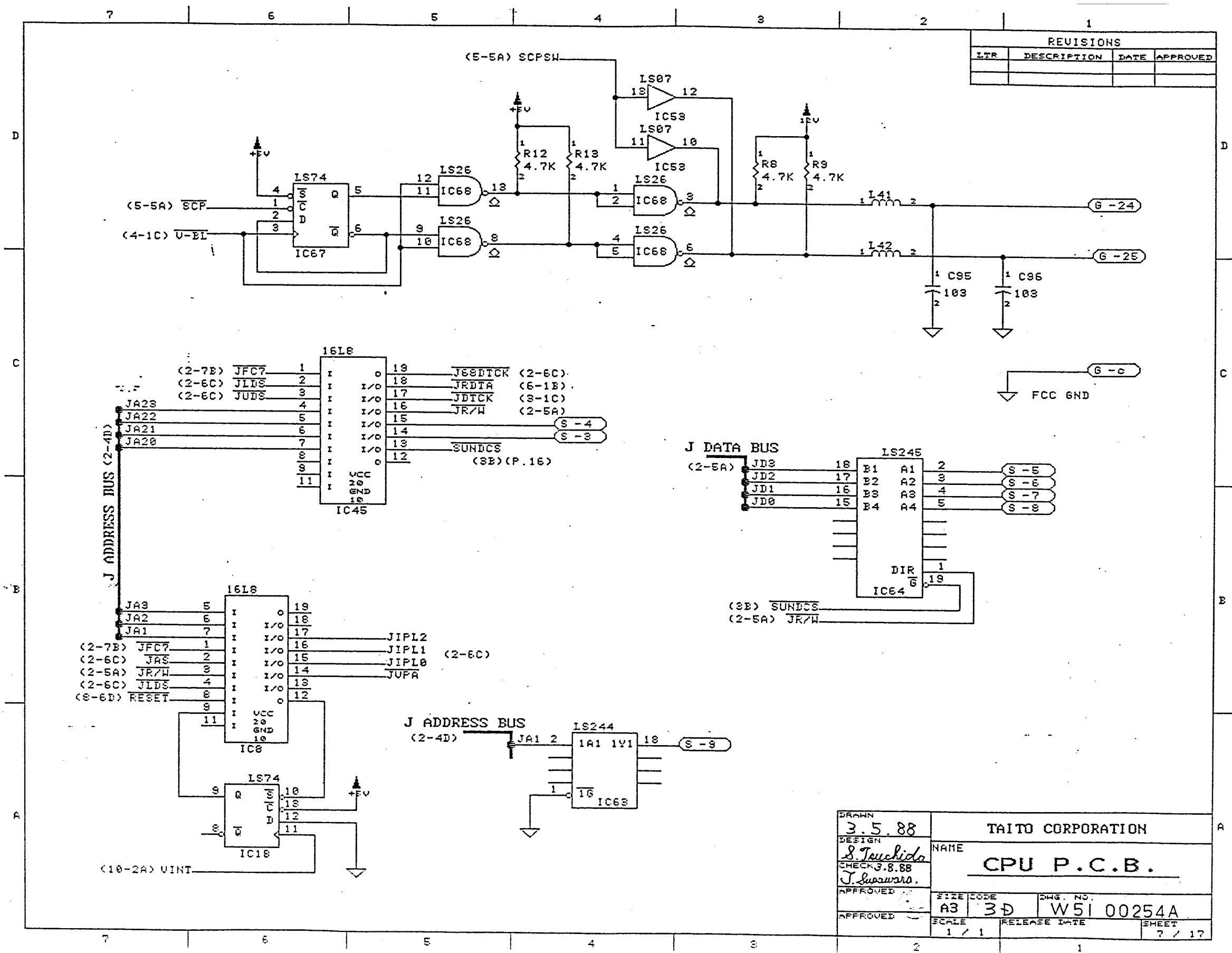


REVISIONS			
LTR	DESCRIPTION	DATE	APPROVED

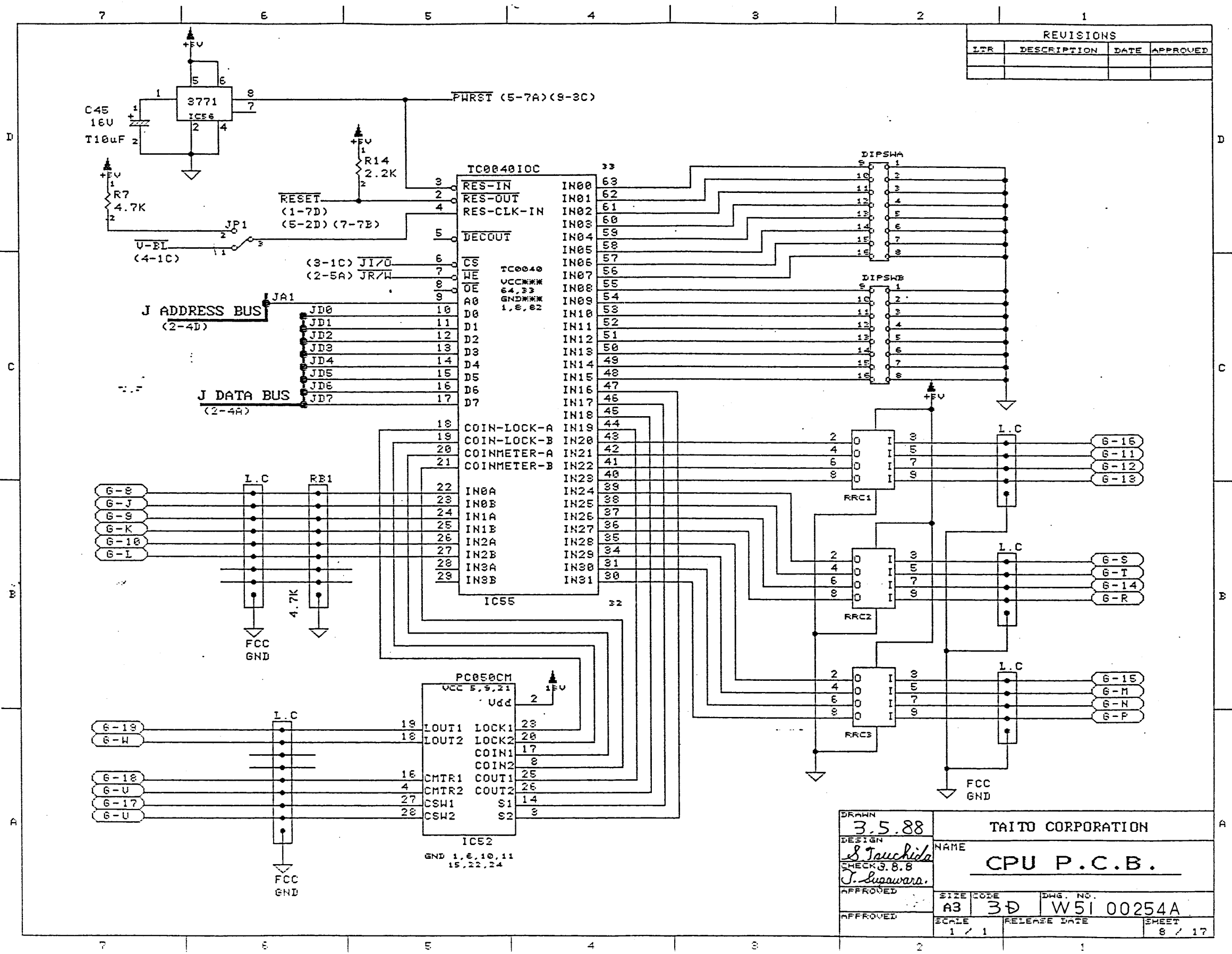


DRAWN 3.5.88	TAITO CORPORATION		
DESIGN S. Tsuchida	NAME CPU P.C.B.		
CHECKED T. Sugawara	SIZE CODE A3 3D	DWS. NO. W51 00254A	
APPROVED	SCALE 1 / 1	RELEASE DATE	SHEET 6 / 17

REVISIONS			
LTR	DESCRIPTION	DATE	APPROVED



DRAWN 3.5.88	TAITO CORPORATION		
DESIGN S. Tsuchida	NAME	CPU P.C.B.	
CHECK 3.8.88	J. Suwara	SIZE CODE A3 3D	DWG. NO. W51 00254A
APPROVED	SCALE 1 / 1	RELEASE DATE	SHEET 7 / 17

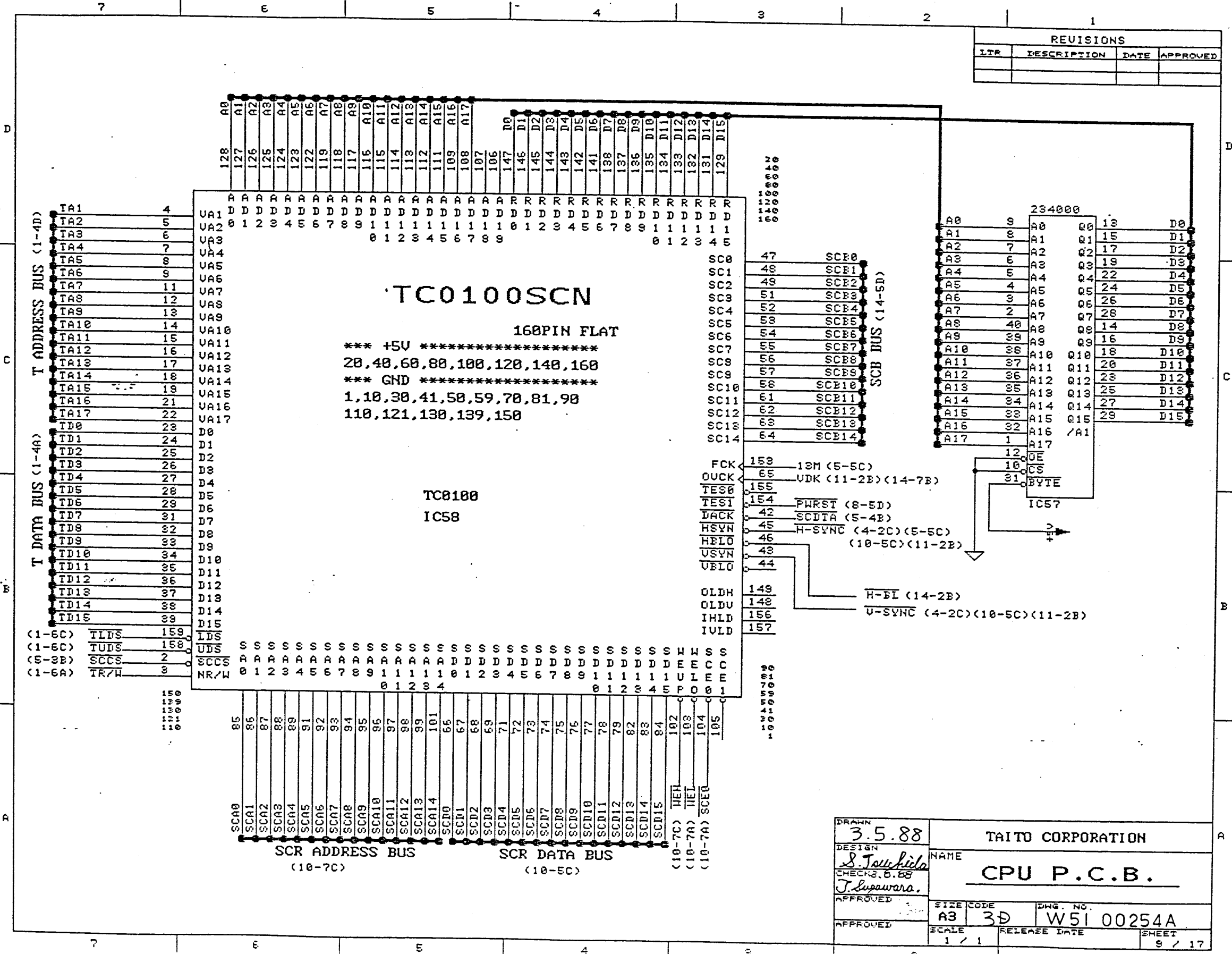


REVISIONS			
LTR	DESCRIPTION	DATE	APPROVED

DRAWN <b>3.5.88</b>	TAITO CORPORATION	
DESIGN <i>S. Tauchida</i>	NAME <b>CPU P.C.B.</b>	
CHECK <i>J. Supawara</i>	SIZE CODE <b>A3 3D</b>	DWG. NO. <b>W51 00254A</b>
APPROVED <i>J. Supawara</i>	SCALE <b>1 / 1</b>	RELEASE DATE <b>8 / 17</b>



REVISIONS			
LTR	DESCRIPTION	DATE	APPROVED



**T ADDRESS BUS (1-4D)**

TA1	4	UA1
TA2	5	UA2
TA3	6	UA3
TA4	7	UA4
TA5	8	UA5
TA6	9	UA6
TA7	11	UA7
TA8	12	UA8
TA9	13	UA9
TA10	14	UA10
TA11	15	UA11
TA12	16	UA12
TA13	17	UA13
TA14	18	UA14
TA15	19	UA15
TA16	21	UA16
TA17	22	UA17

**T DATA BUS (1-4A)**

TD0	23	D0
TD1	24	D1
TD2	25	D2
TD3	26	D3
TD4	27	D4
TD5	28	D5
TD6	29	D6
TD7	31	D7
TD8	32	D8
TD9	33	D9
TD10	34	D10
TD11	35	D11
TD12	36	D12
TD13	37	D13
TD14	38	D14
TD15	39	D15

**(1-5C) TLDS** 159  
**(1-5C) TUDS** 158  
**(5-3B) SCCS** 2  
**(1-6A) TR/W** 3

**SCR ADDRESS BUS (10-7C)**

SCA0	85
SCA1	86
SCA2	87
SCA3	88
SCA4	89
SCA5	91
SCA6	92
SCA7	93
SCA8	94
SCA9	95
SCA10	96
SCA11	97
SCA12	98
SCA13	99
SCA14	101
SCA0	65
SCA1	67
SCA2	68
SCA3	69
SCA4	71
SCA5	72
SCA6	73
SCA7	74
SCA8	75
SCA9	76
SCA10	77
SCA11	78
SCA12	79
SCA13	82
SCA14	83
SCA15	84

**SCR DATA BUS (10-5C)**

SCD0	102
SCD1	103
SCD2	104
SCD3	105

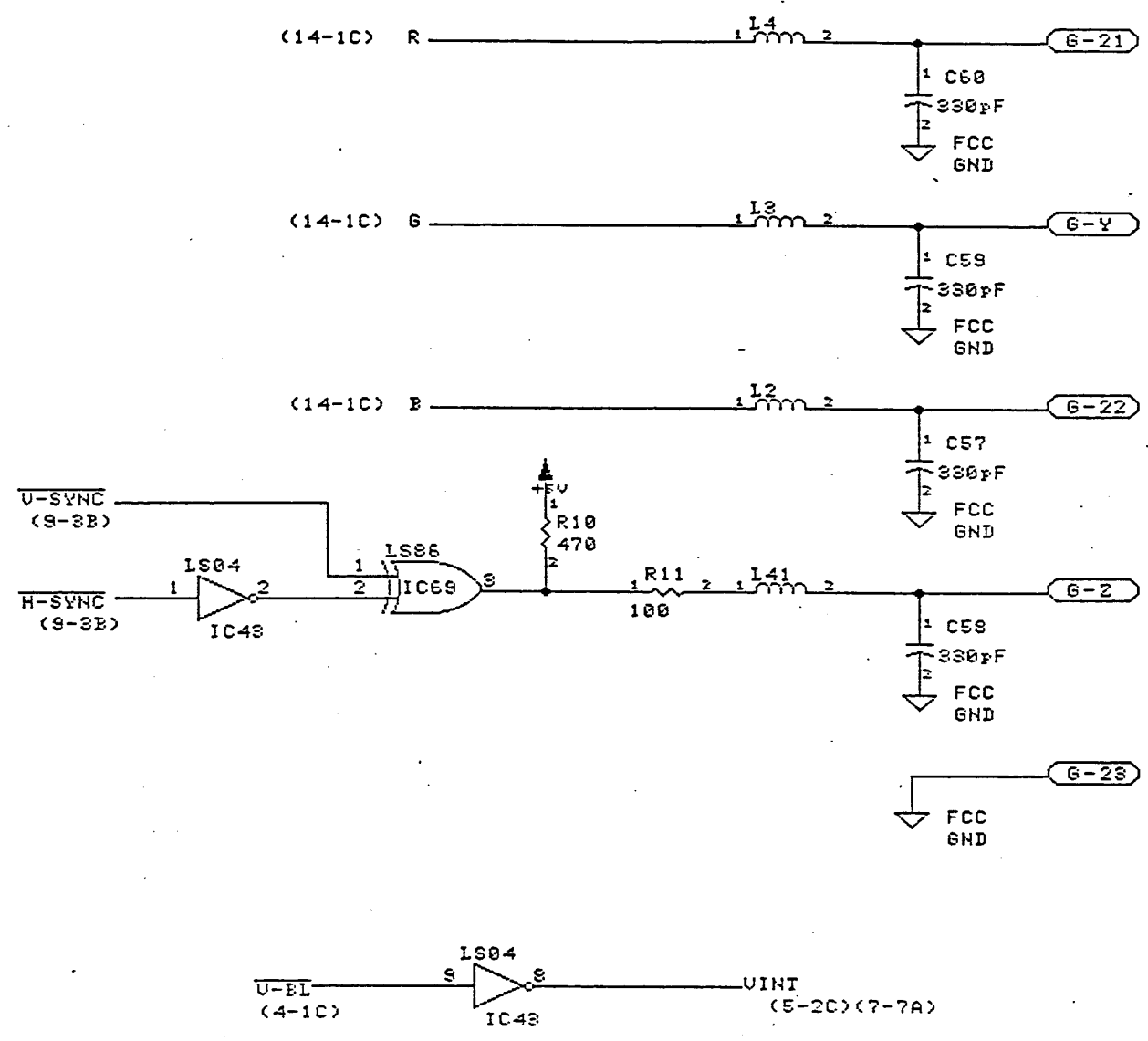
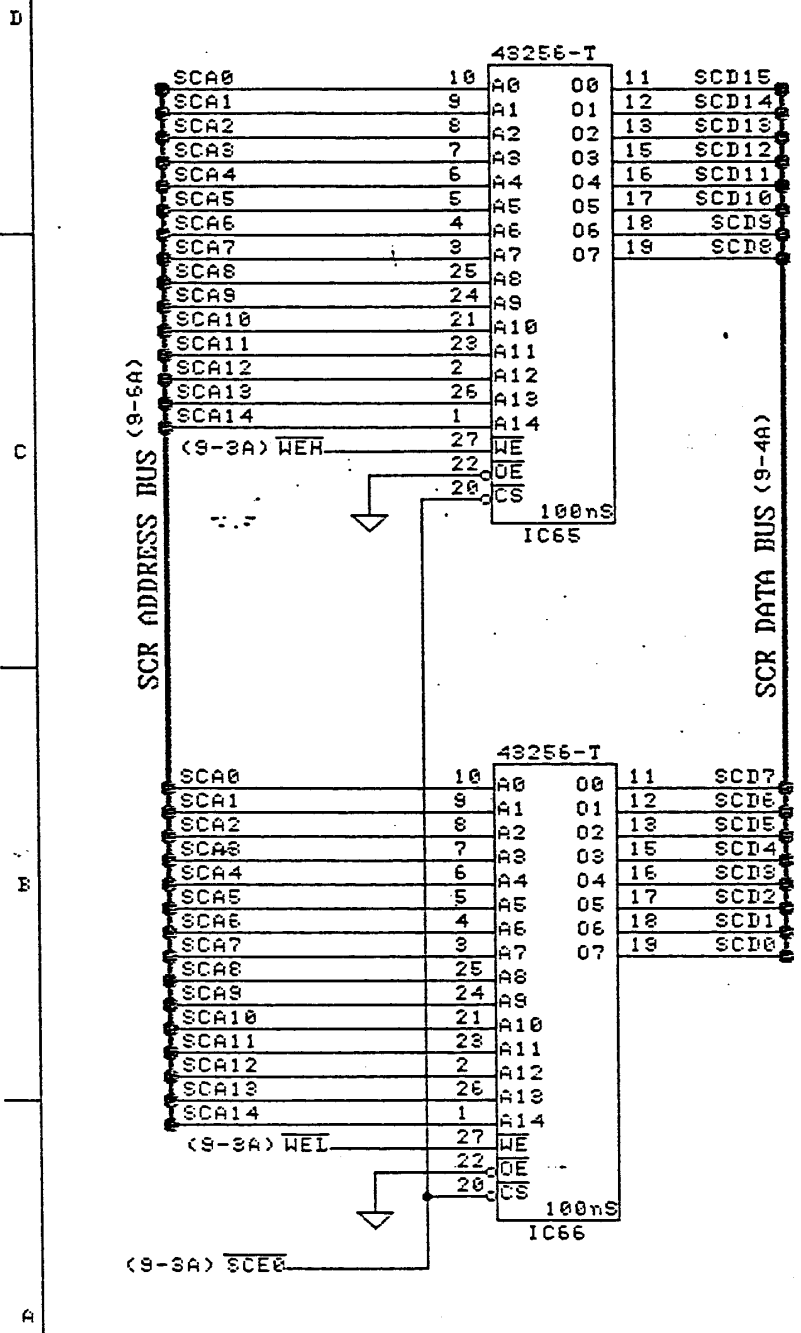
**(10-7C) HEH** 102  
**(10-7A) HEL** 103  
**(10-7A) SCE0** 104

FCK	159	13M (5-5C)
OUCK	65	UDK (11-2B)(14-7B)
TES0	155	
TES1	154	PWRST (8-5D)
JACK	42	SCDTA (5-4B)
HSYN	45	H-SYNC (4-2C)(5-5C)
HELO	46	(10-5C)(11-2B)
USYN	43	
VELO	44	
OLDH	149	H-BL (14-2B)
OLDU	148	U-SYNC (4-2C)(10-5C)(11-2B)
IHL	156	
IULD	157	

DRAWN 3.5.88	TAITO CORPORATION	
DESIGN S. Tsuchida	NAME CPU P.C.B.	
CHECKED J. Sugawara	SIZE CODE A3	DWG. NO. W51 00254A
APPROVED	SCALE 1 / 1	RELEASE DATE
APPROVED	SHEET 9 / 17	

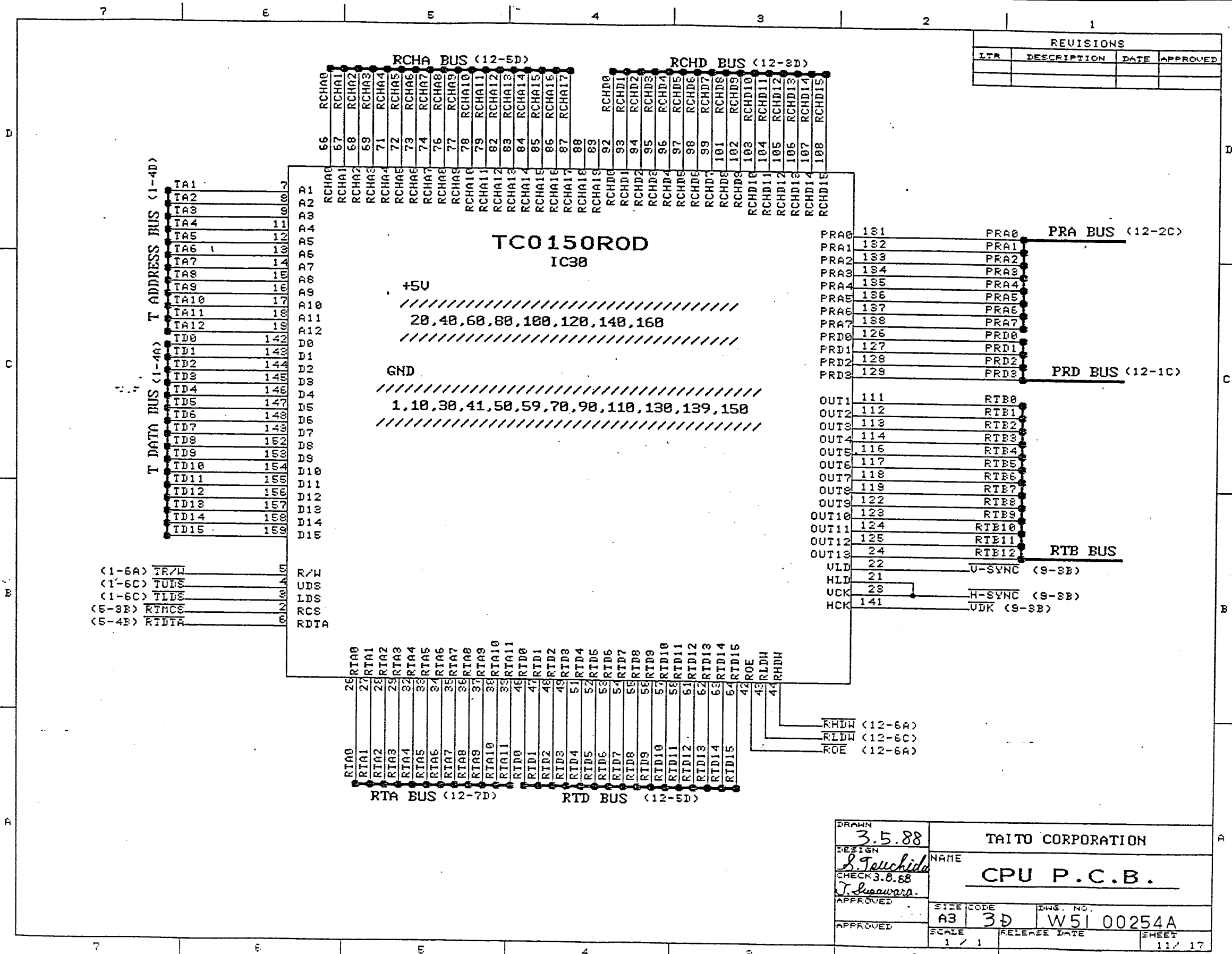
7 6 5 4 3 2 1

REVISIONS			
ITR	DESCRIPTION	DATE	APPROVED



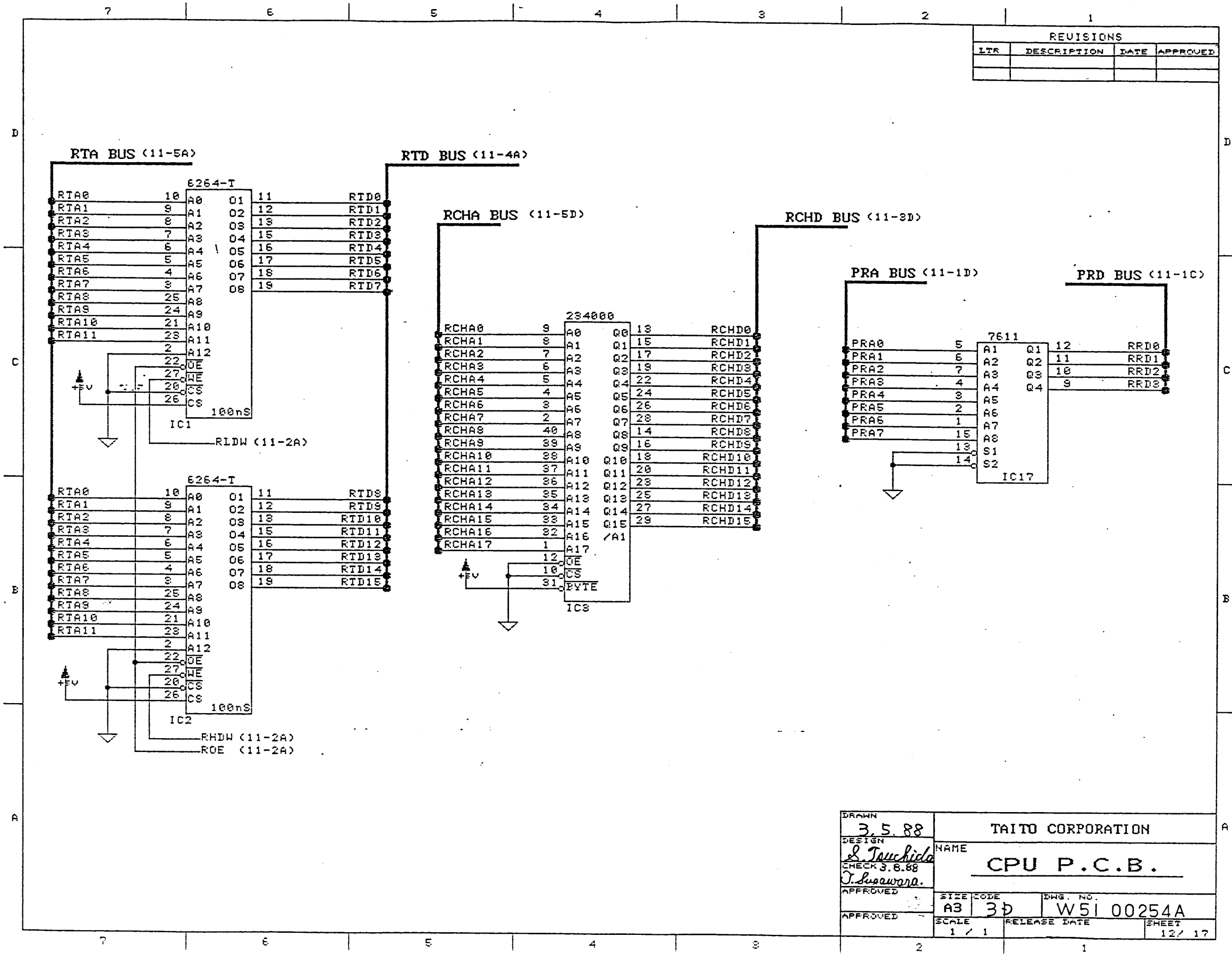
DRAWN 3.5.88	TAITO CORPORATION		
DESIGN <i>S. Touchida</i>	NAME CPU P.C.B.		
CHECK 3.8.88 <i>T. Suwara</i>	SIZE CODE A3 3D	DWG. NO. W51 00254A	
APPROVED	SCALE 1 / 1	RELEASE DATE	SHEET 16 / 17

7 6 5 4 3 2 1

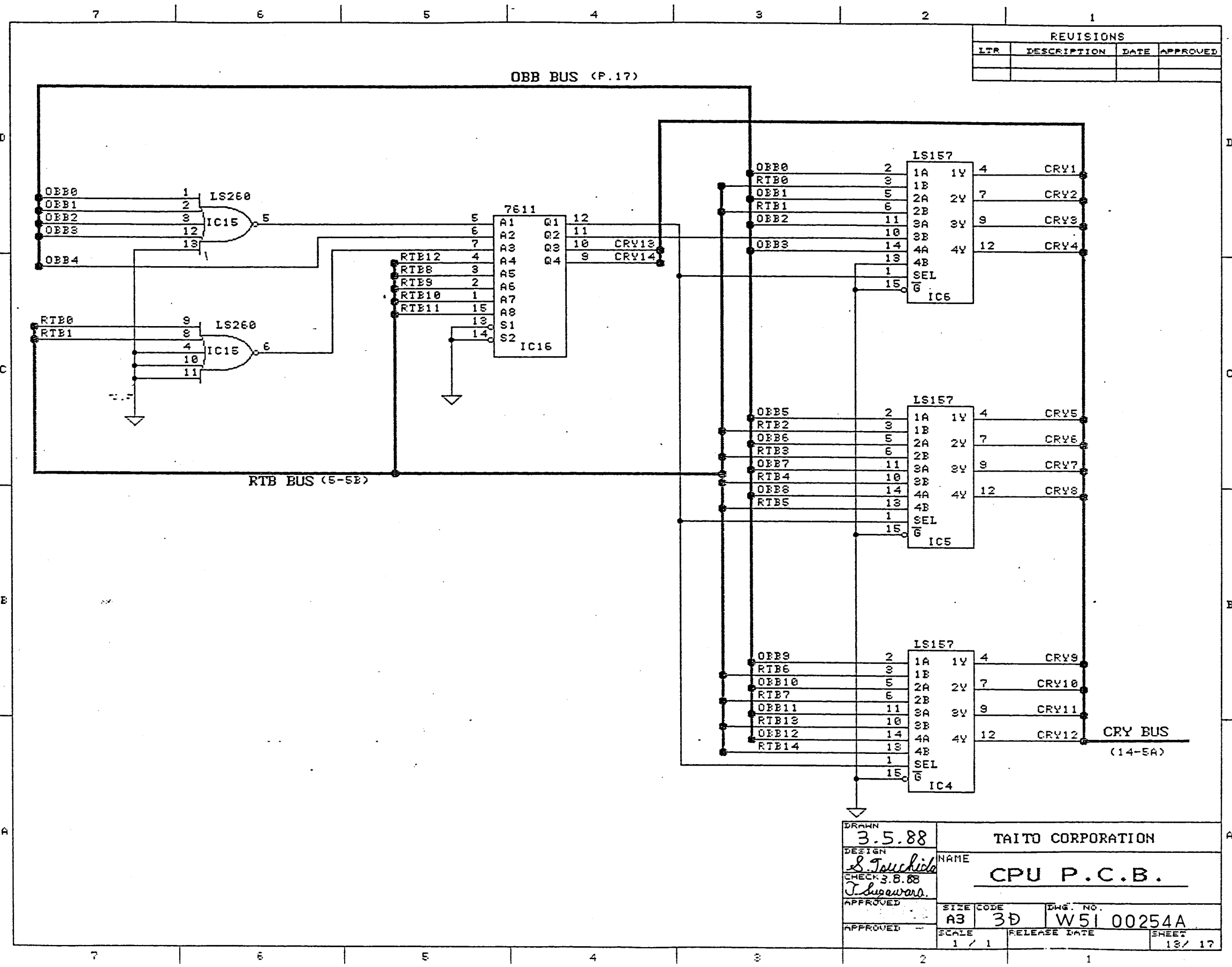


DRAWN 3.5.88	TAITO CORPORATION	
DESIGN S. Tsuchida	NAME CPU P.C.B.	
CHECK 3.6.88 T. Suwara	SIZE CODE A3	ING. NO. W51 00254A
APPROVED	SCALE 1 / 1	RELEASE DATE
APPROVED	SHEET 11 / 17	

REVISIONS			
LTR	DESCRIPTION	DATE	APPROVED

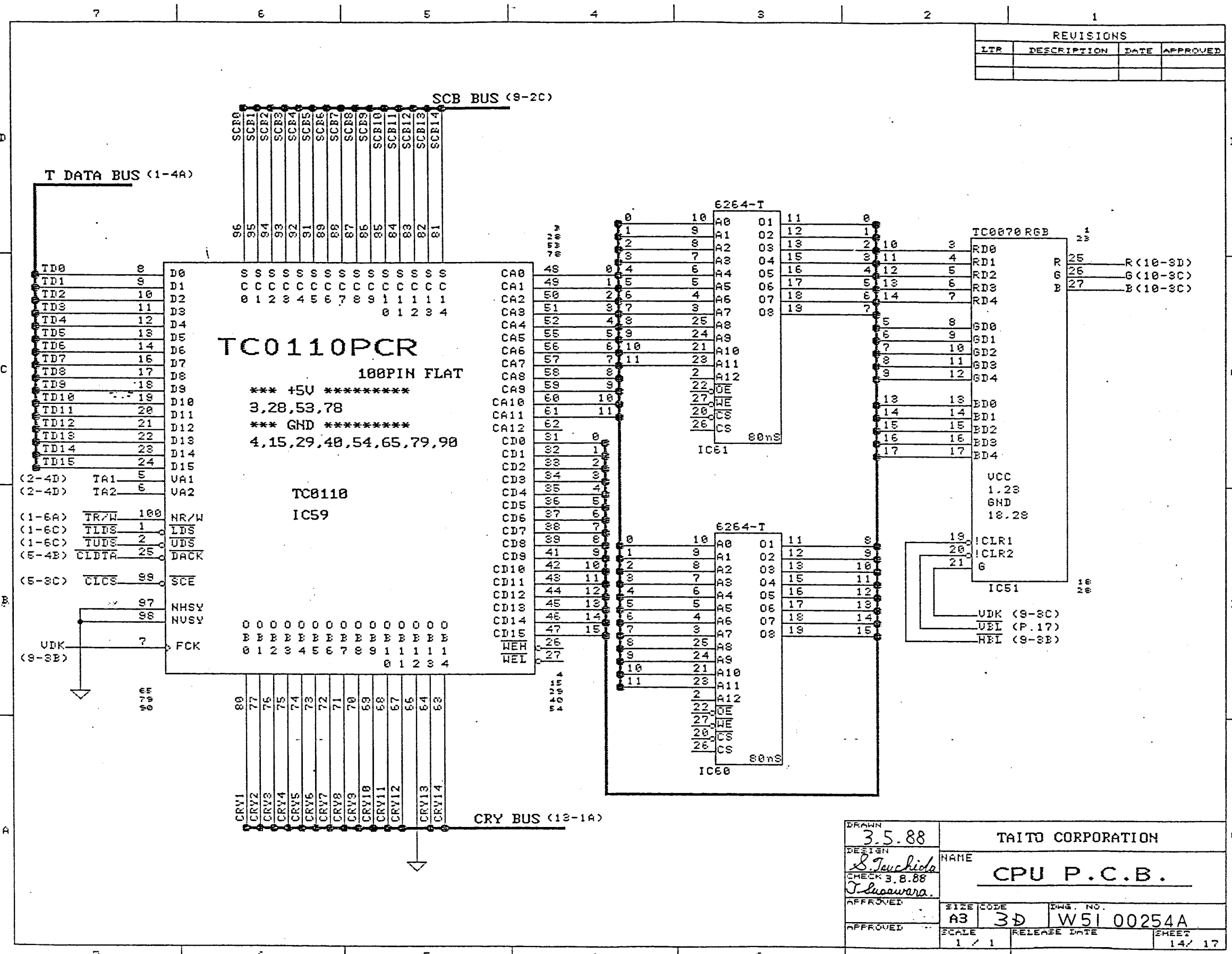


DRAWN 3.5.88	TAITO CORPORATION		
DESIGN <i>S. Tsuchida</i>	NAME CPU P.C.B.		
CHECK 3.8.88 <i>T. Sugawara</i>	SIZE A3	CODE 3D	DWG. NO. W51 00254A
APPROVED	SCALE 1/1	RELEASE DATE	SHEET 12/17



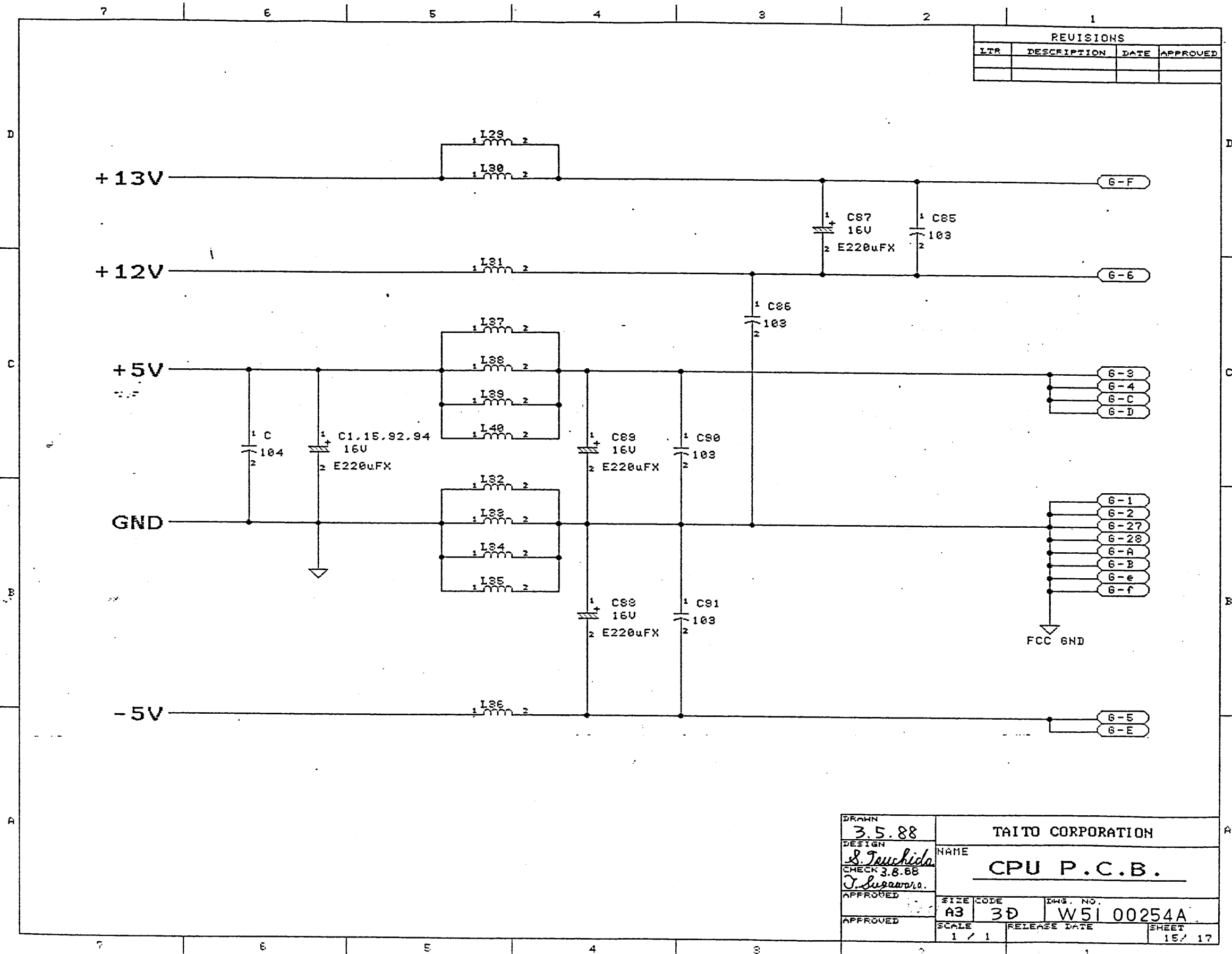
REVISIONS			
LTR	DESCRIPTION	DATE	APPROVED

DRAWN 3.5.88	TAITO CORPORATION		
DESIGN <i>S. Tsuchida</i>	NAME CPU P.C.B.		
CHECK 3.8.88 <i>T. Sawano</i>	APPROVED	SIZE CODE A3 3D	DWG. NO. W51 00254A
APPROVED	SCALE 1 / 1	RELEASE DATE	SHEET 13 / 17



REVISIONS			
LTR	DESCRIPTION	DATE	APPROVED

DRAWN 3.5.88	TAITO CORPORATION		
DESIGN S. Teuchida	NAME	CPU P.C.B.	
CHECK 3.8.88 T. Suawara	APPROVED	SIZE CODE A3 3D	DWG. NO. W51 00254A
APPROVED	SCALE 1 / 1	RELEASE DATE	SHEET 14 / 17



REVISIONS			
LTR	DESCRIPTION	DATE	APPROVED

DRAWN 3.5.88	TAITO CORPORATION		
DESIGN <i>S. Tsuchida</i>	NAME CPU P.C.B.		
CHECK 3.8.88 <i>T. Sasaki</i>	SIZE CODE A3	DWG. NO. W51 00254A	SHEET 15 / 17
APPROVED	SCALE 1 / 1	RELEASE DATE	

7 6 5 4 3 2 1

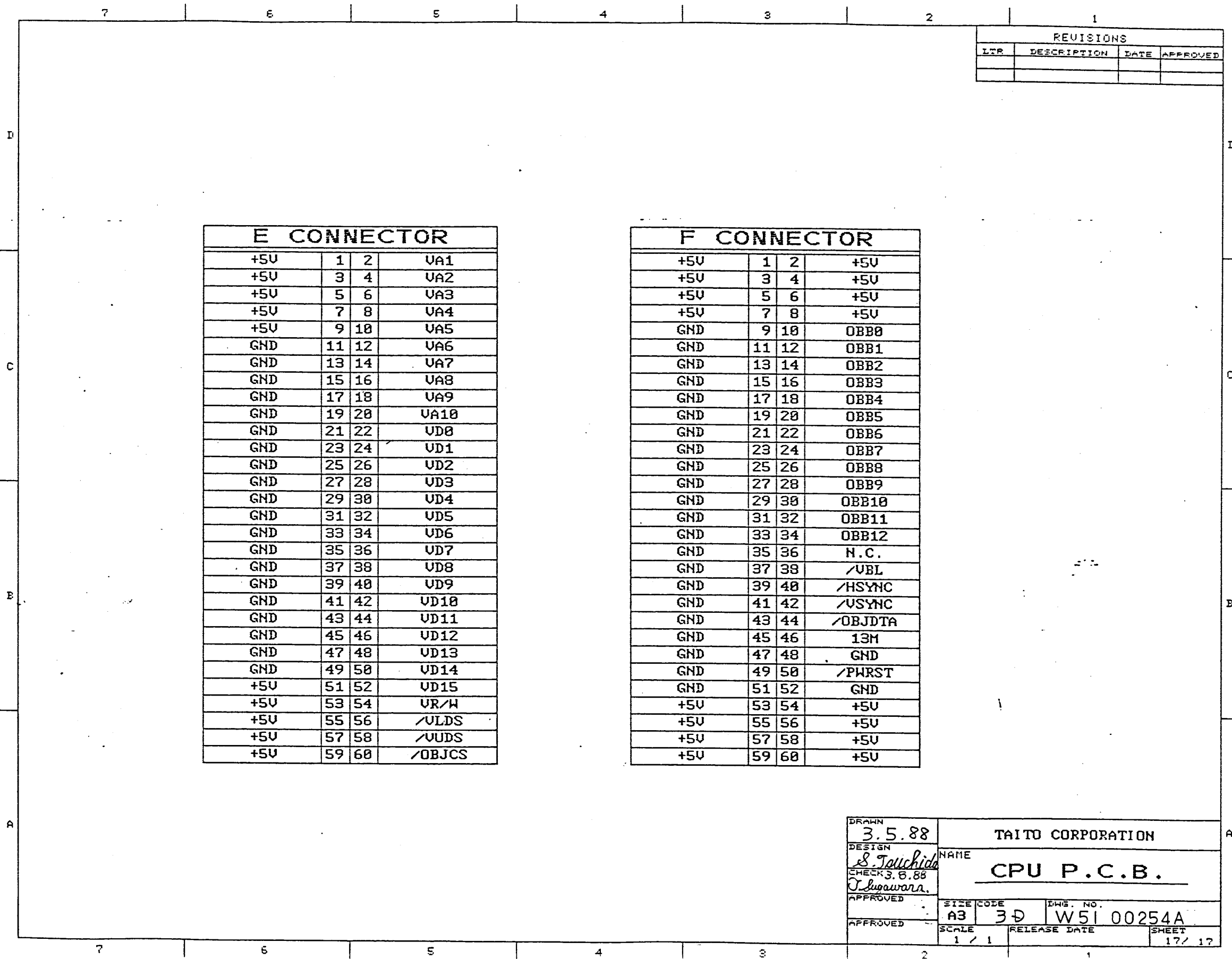
REVISIONS			
LTR	DESCRIPTION	DATE	APPROVED

G CONNECTOR			
GND	A	1	GND
GND	B	2	GND
+5V	C	3	+5V
+5V	D	4	+5V
-5V	E	5	-5V
+13V	F	6	+12V
POST	H	7	POST
PADOL X2	I	8	PADOL X1
PADOL Y2	J	9	PADOL Y1
PADOL Z2	K	10	PADOL Z1
BRAKE 0	L	11	ACCEL 0
BRAKE 1	M	12	ACCEL 1
BRAKE 2	N	13	ACCEL 2
START SW	P	14	TILT SW
CENTER SW	R	15	SHIFT SW
NOT USE	S	16	SERVICE SW
COIN SW B	T	17	COIN SW A
COIN METER B	U	18	COIN METER A
COIN LOCKOUT B	V	19	COIN LOCKOUT A
NOT USE	W	20	NOT USE
VIDEO G	X	21	VIDEO R
VIDEO SYNC	Y	22	VIDEO BL
NOT USE	a	23	VIDEO GND
NOT USE	b	24	SCP (R)
SCP GND	c	25	SCP (L)
NOT USE	d	26	NOT USE
GND	e	27	GND
GND	f	28	GND

S CONNECTOR			
12 MHz*	A	1	/RESET
GND	B	2	/SUNDCS
GND	C	3	SRD
GND	D	4	SWR
GND	E	5	SD3
GND	F	6	SD2
GND	H	7	SD1
GND	J	8	SD0
	K	9	SA1
-5V	L	10	+12V
+5V	M	11	+5V
+5V	N	12	+5V
+13V	P	13	+13V
	R	14	
	S	15	

DRAWN 3.5.88	TAITO CORPORATION		
DESIGN <i>S. Tsuchida</i> CHECK 3.8.88 <i>T. Iwasawa</i>	NAME CPU P.C.B.		
APPROVED	SIZE CODE A3 30	DWS. NO. W51 00254A	
APPROVED	SCALE 1 / 1	RELEASE DATE	SHEET 16 / 17



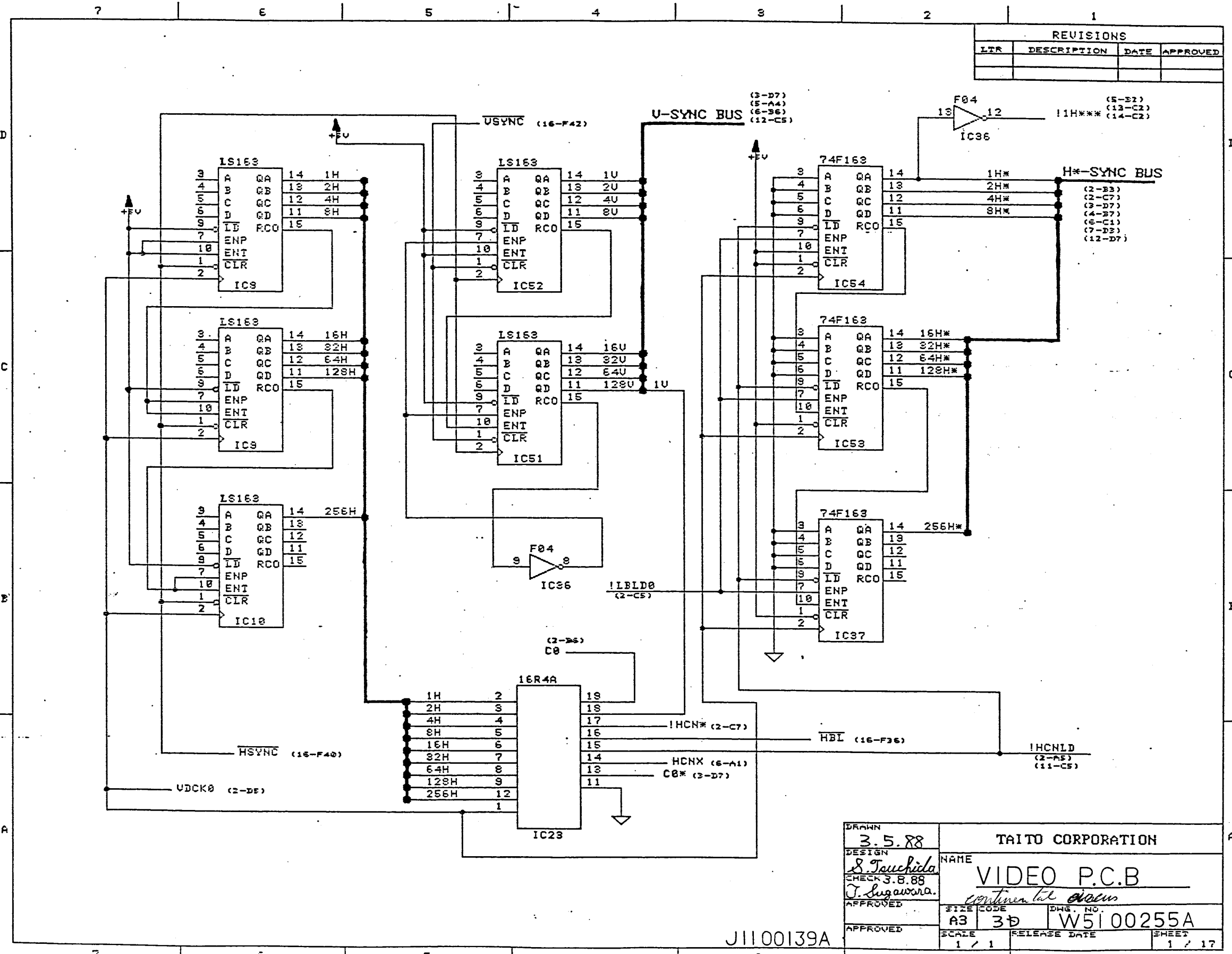


REVISIONS			
LTR	DESCRIPTION	DATE	APPROVED

E CONNECTOR			
+5V	1	2	VA1
+5V	3	4	VA2
+5V	5	6	VA3
+5V	7	8	VA4
+5V	9	10	VA5
GND	11	12	VA6
GND	13	14	VA7
GND	15	16	VA8
GND	17	18	VA9
GND	19	20	VA10
GND	21	22	VD0
GND	23	24	VD1
GND	25	26	VD2
GND	27	28	VD3
GND	29	30	VD4
GND	31	32	VD5
GND	33	34	VD6
GND	35	36	VD7
GND	37	38	VD8
GND	39	40	VD9
GND	41	42	VD10
GND	43	44	VD11
GND	45	46	VD12
GND	47	48	VD13
GND	49	50	VD14
+5V	51	52	VD15
+5V	53	54	VR/H
+5V	55	56	/VLDS
+5V	57	58	/VUDS
+5V	59	60	/OBJCS

F CONNECTOR			
+5V	1	2	+5V
+5V	3	4	+5V
+5V	5	6	+5V
+5V	7	8	+5V
GND	9	10	OBB0
GND	11	12	OBB1
GND	13	14	OBB2
GND	15	16	OBB3
GND	17	18	OBB4
GND	19	20	OBB5
GND	21	22	OBB6
GND	23	24	OBB7
GND	25	26	OBB8
GND	27	28	OBB9
GND	29	30	OBB10
GND	31	32	OBB11
GND	33	34	OBB12
GND	35	36	N.C.
GND	37	38	/UBL
GND	39	40	/HSYNC
GND	41	42	/VSYNC
GND	43	44	/OBJDTA
GND	45	46	13M
GND	47	48	GND
GND	49	50	/PWRST
GND	51	52	GND
+5V	53	54	+5V
+5V	55	56	+5V
+5V	57	58	+5V
+5V	59	60	+5V

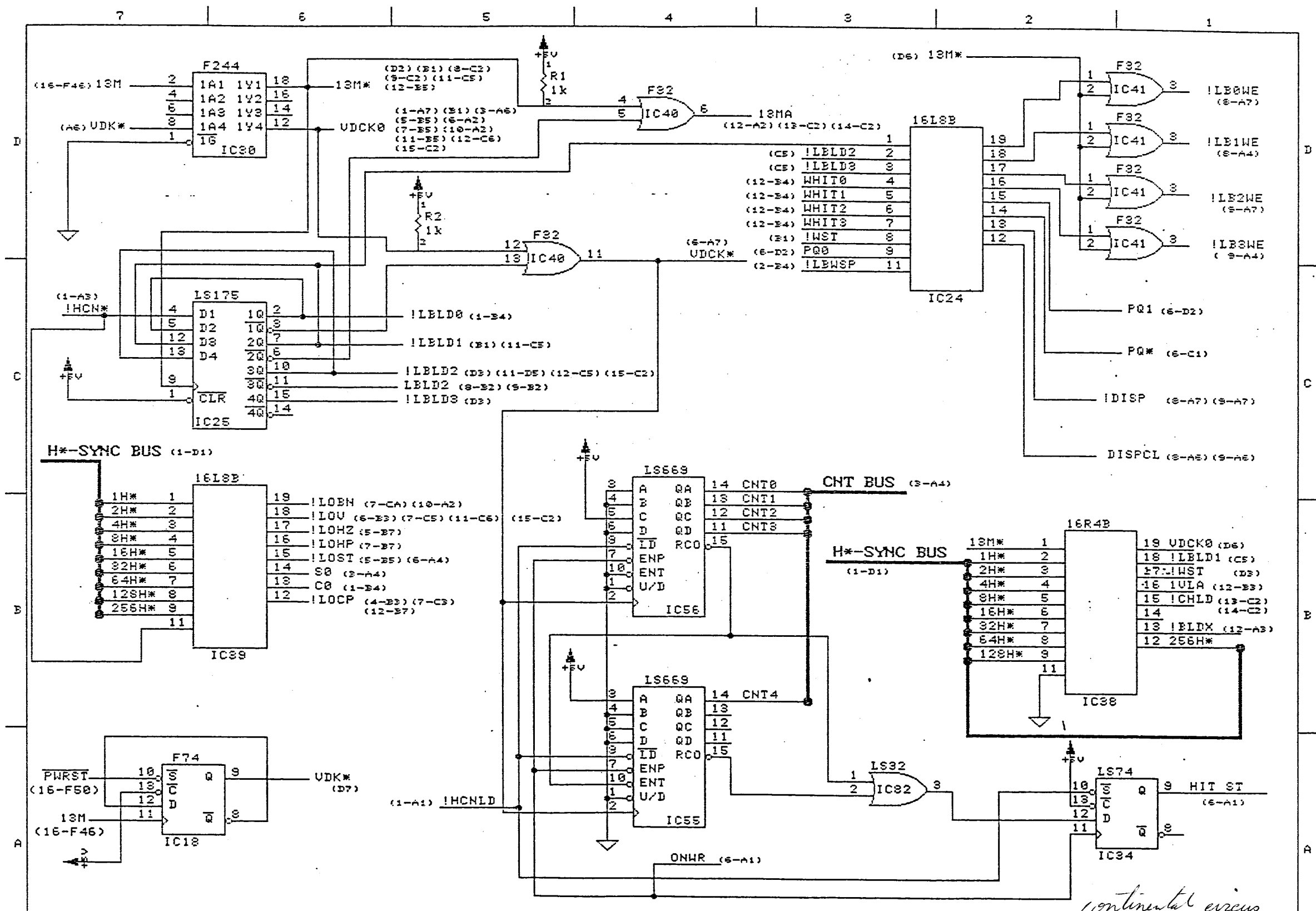
DRAWN 3.5.88	TAITO CORPORATION		
DESIGN <i>S. Tauchida</i>	NAME CPU P.C.B.		
CHECK 3.6.88 <i>O. Sugawara</i>	SIZE CODE A3	DWG. NO. W51 00254A	
APPROVED	SCALE 1 / 1	RELEASE DATE	SHEET 17 / 17



REVISIONS			
LTR	DESCRIPTION	DATE	APPROVED

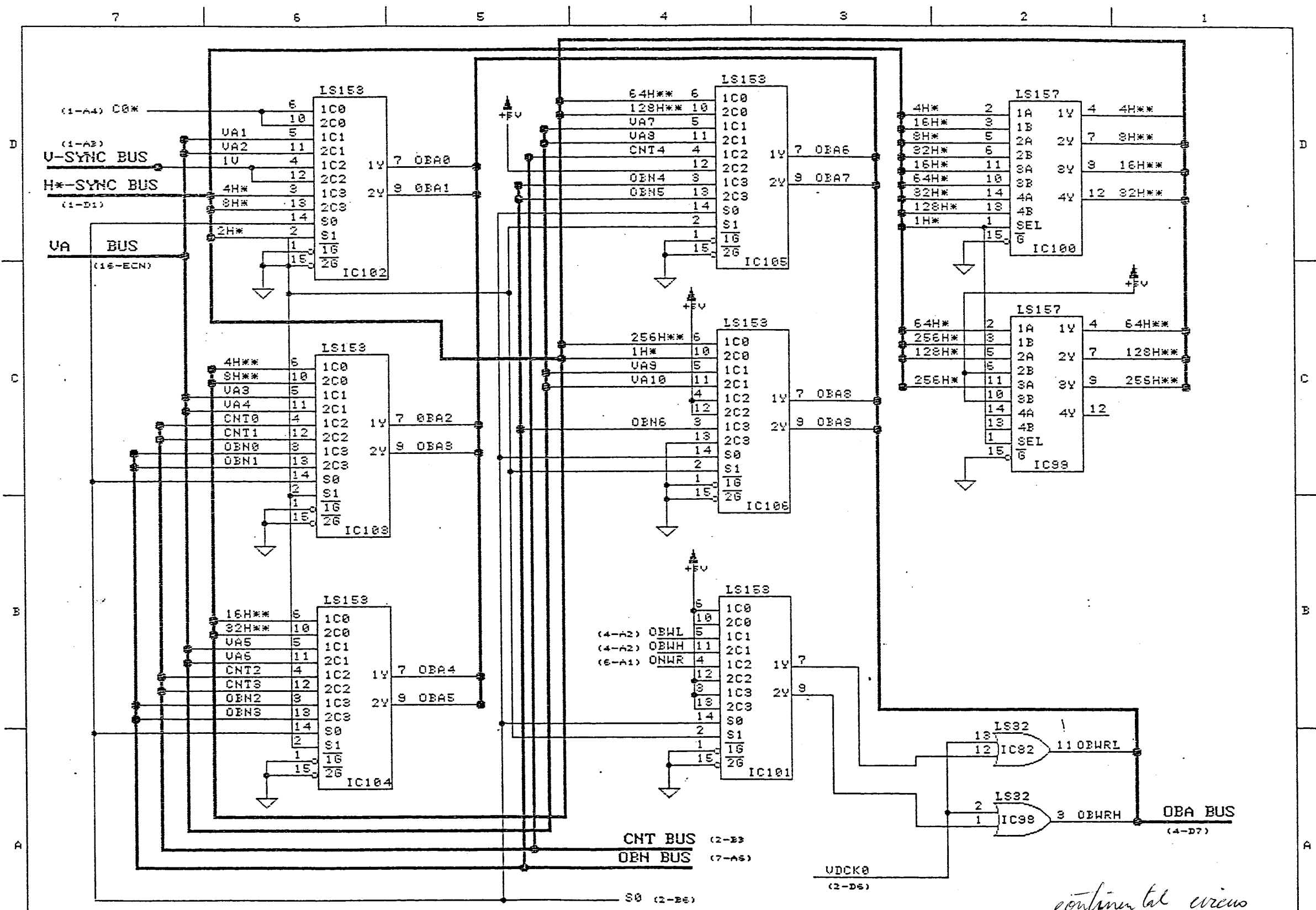
DRAWN 3.5.88	TAITO CORPORATION		
DESIGN <i>S. Tsuchida</i>	NAME VIDEO P.C.B.		
CHECK 3.8.88 <i>J. Sugawara</i>	APPROVED <i>continental</i>		
APPROVED	SIZE CODE A3	DWG. NO. 3D	W5100255A
APPROVED	SCALE 1 / 1	RELEASE DATE	SHEET 1 / 17

J1100139A



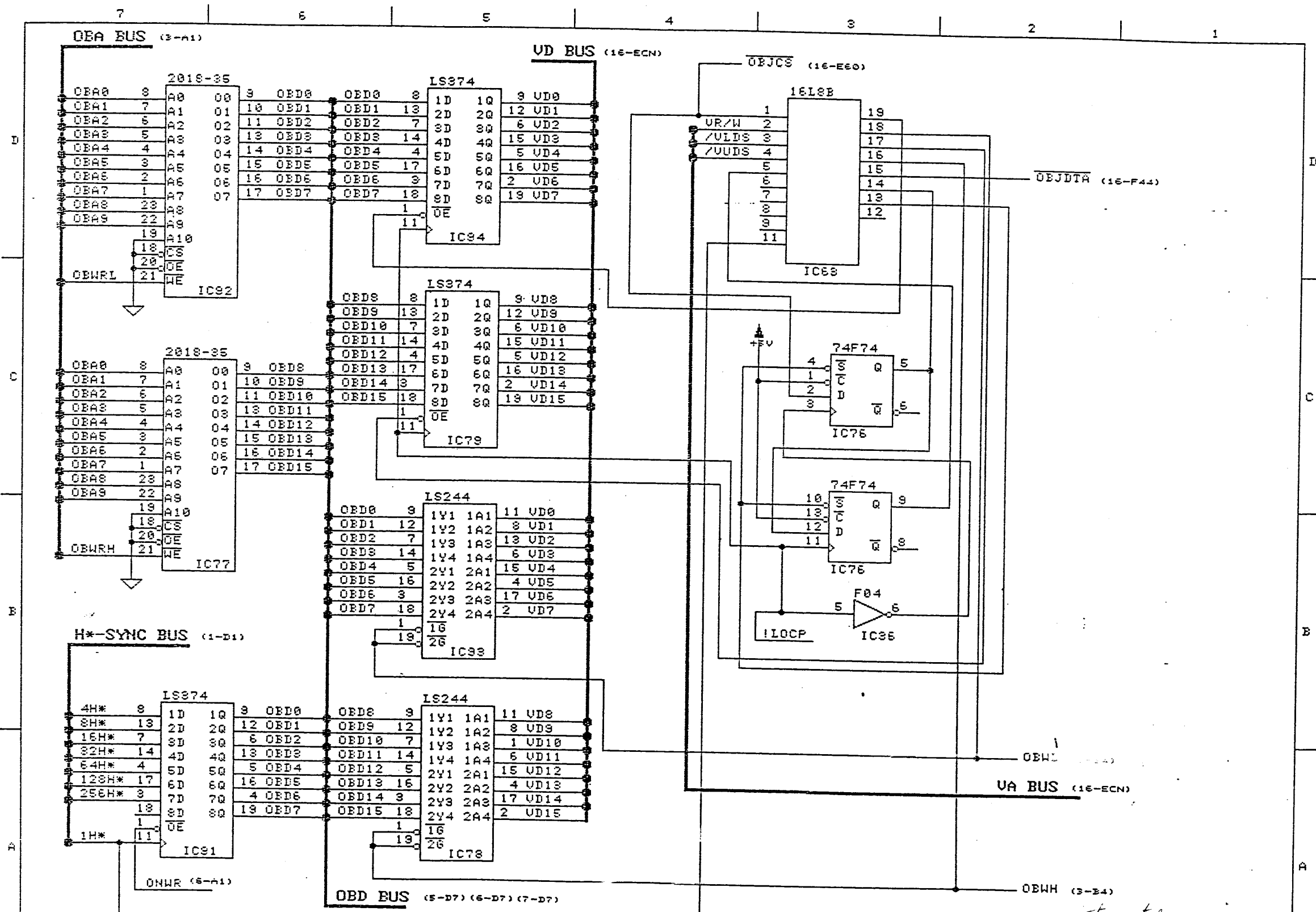
*continental review*

PROJECT	TITLE	DESIGN	DRIVING DAYS	SIZE	TAITO CORPORATION	SHEET
	W5100255A	<i>S. Tsuchida</i>	3.5.88'	A3		2 / 17

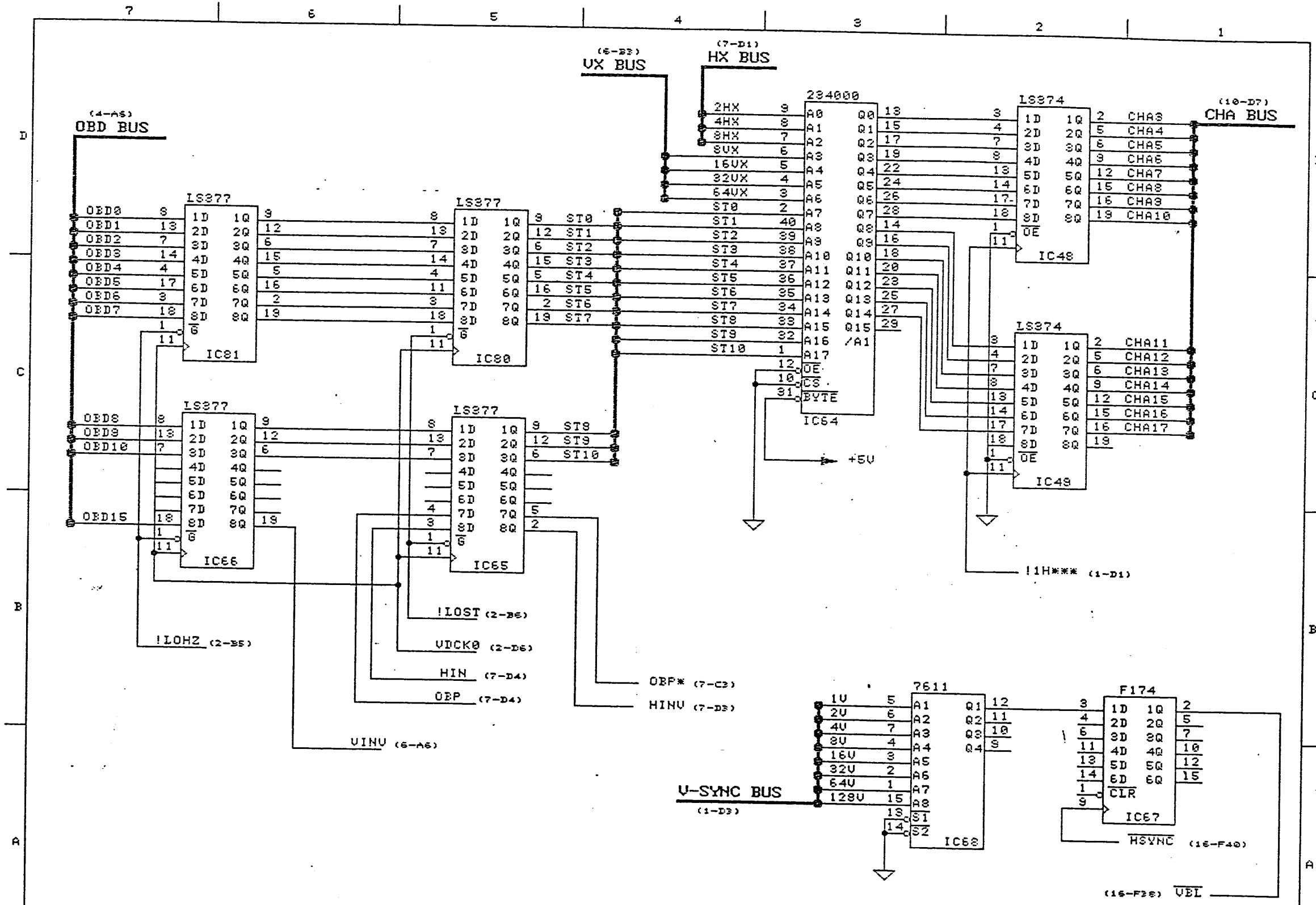


PROJECT	TITLE	DESIGN	DRIVING DAYS	SIZE	TAITO CORPORATION		SHEET
	W51 00255A	S. Tsuchida	3.5.88'	A3			3 / 17

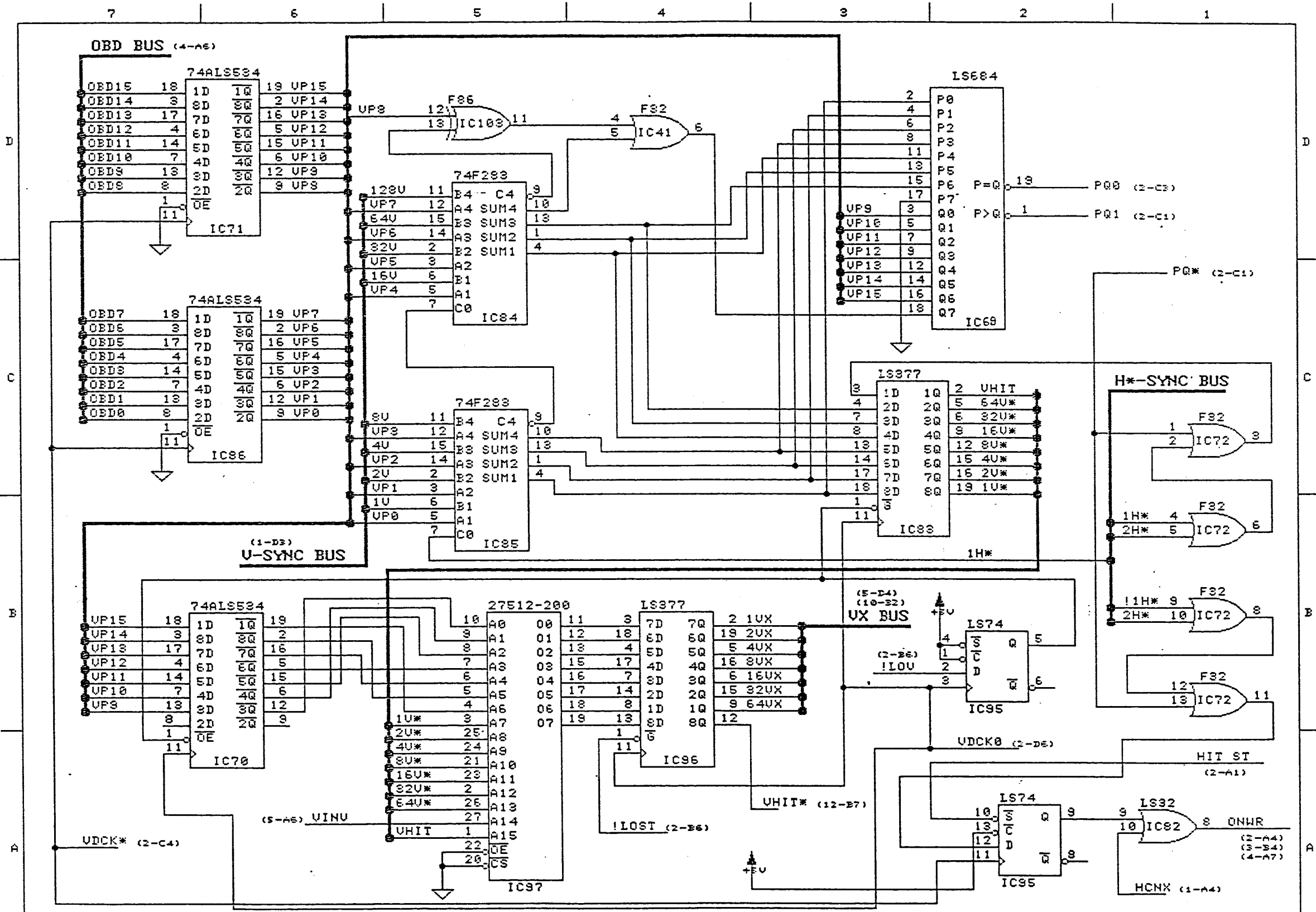
*continental circuit*



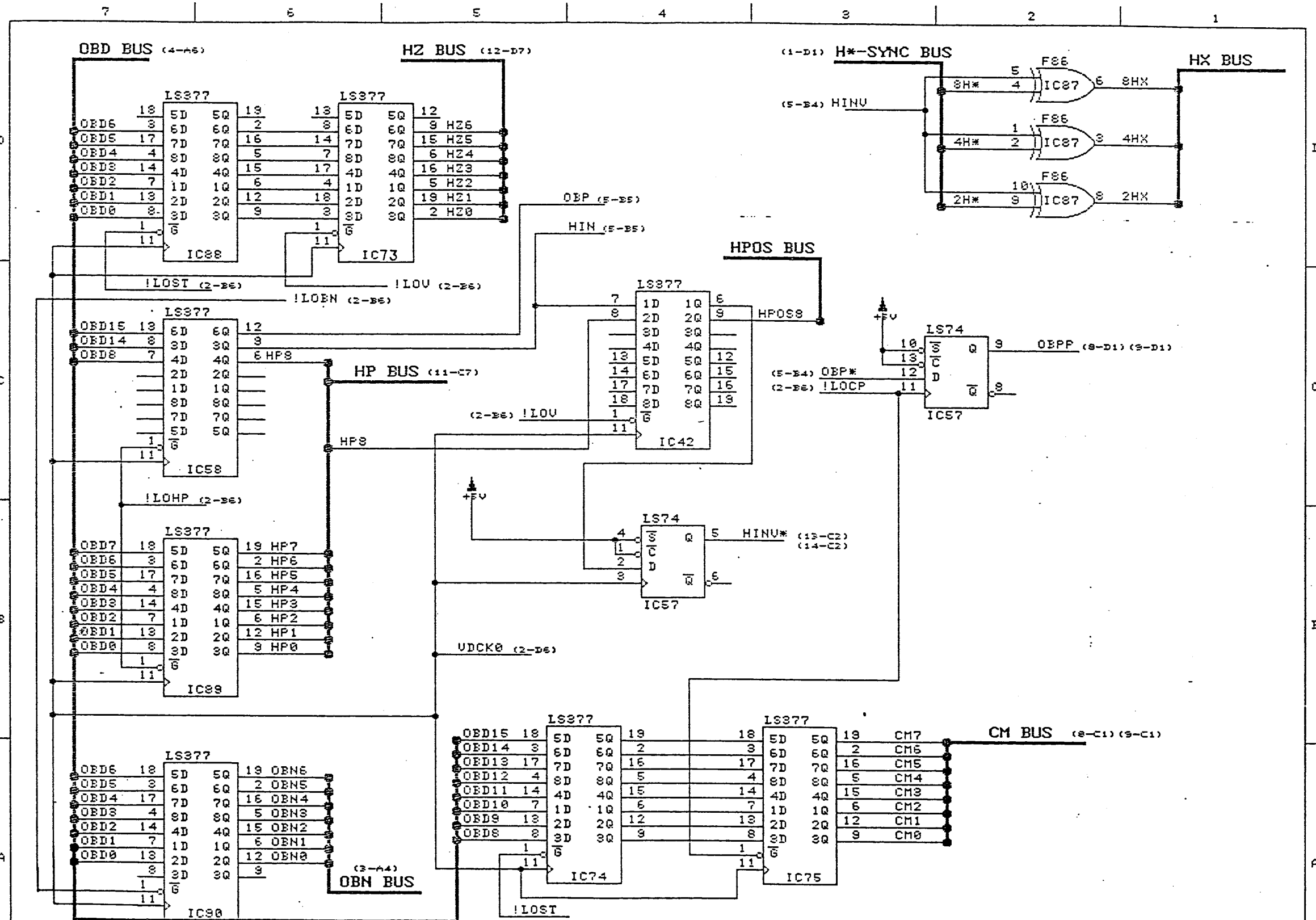
PROJECT	TITLE	DESIGN	DRAWING DAYS	SIZE	TAITO CORPORATION		SHEET
	W5100255A	S. Tsuchida	3.5.88'	A3	continental circus		4 / 17



PROJECT	TITLE	DESIGN	DRWG DAYS	SIZE	TAITO CORPORATION	SHEET
	W5100255A	S. Tsuchida	3.5.88'	A3		5 / 17

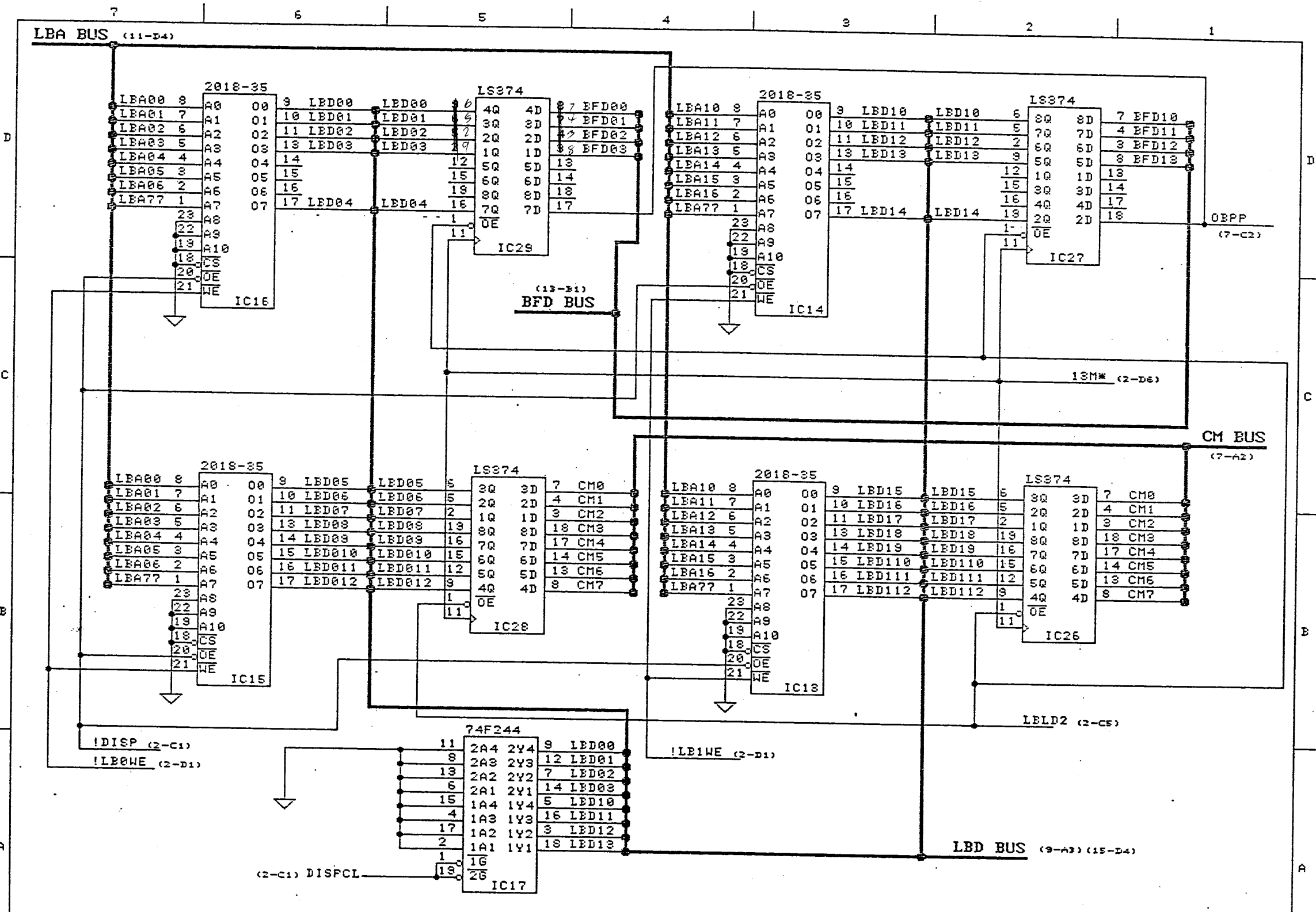


PROJECT	TITLE	DESIGN	DRAWING DAYS	SIZE	TAITO CORPORATION	SHEET
W5100255A	S. Touchida	3.5.88'	A3			6 / 17

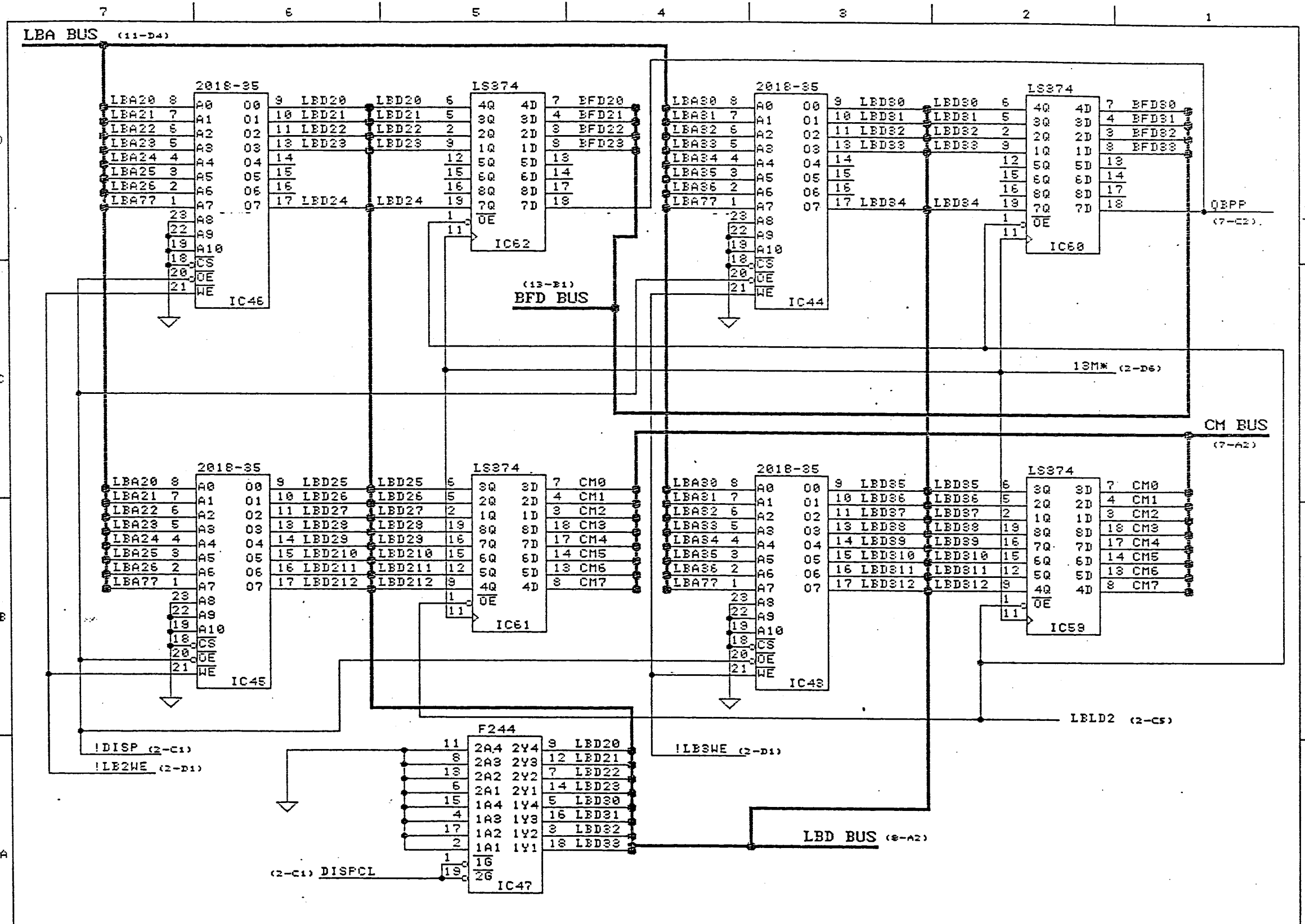


PROJECT	TITLE	DESIGN	DRIVING DAYS	SIZE	TAITO CORPORATION	SHEET
	W5100255A	S. Tsuchida	3.5.88	A3		7 / 17

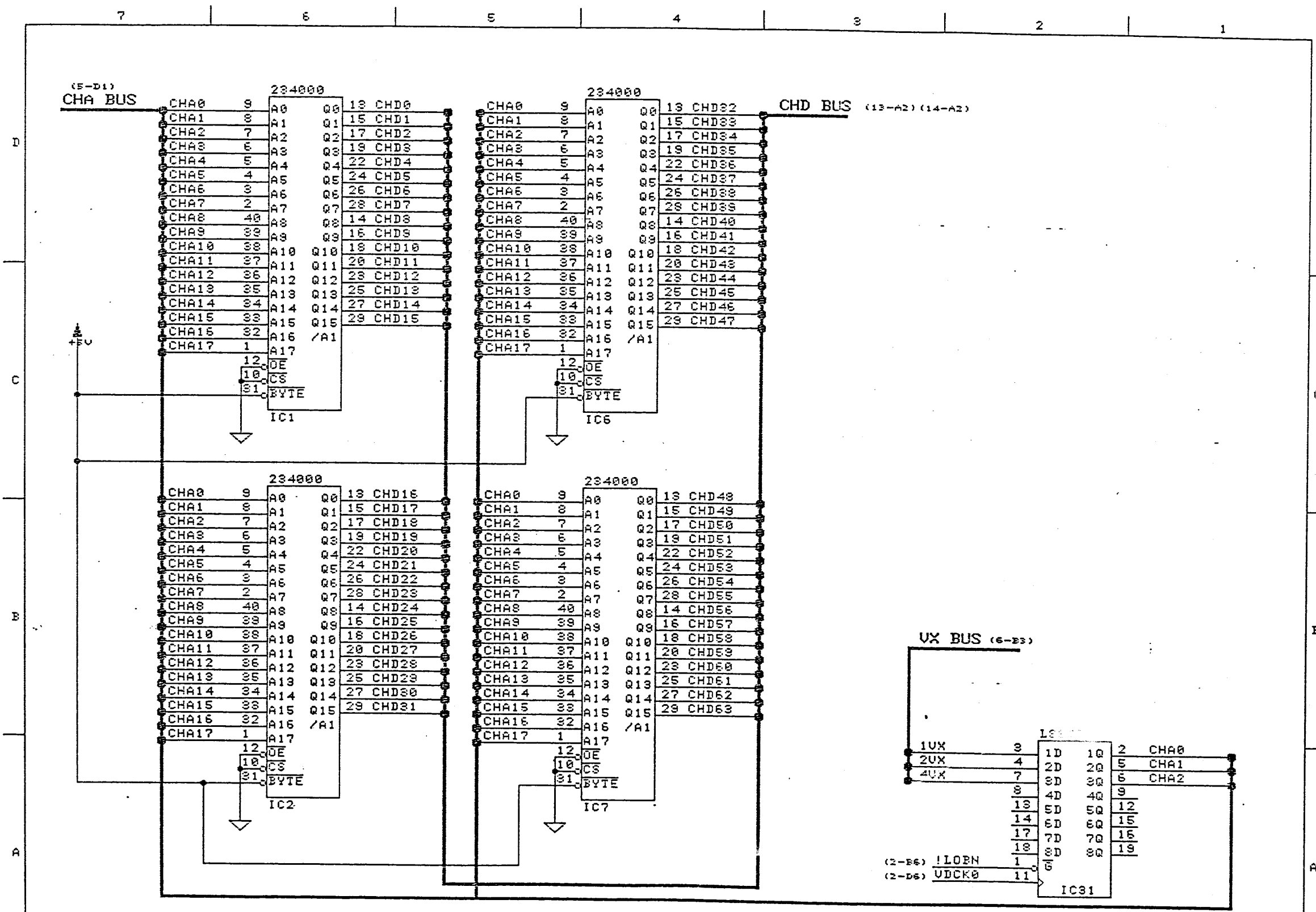




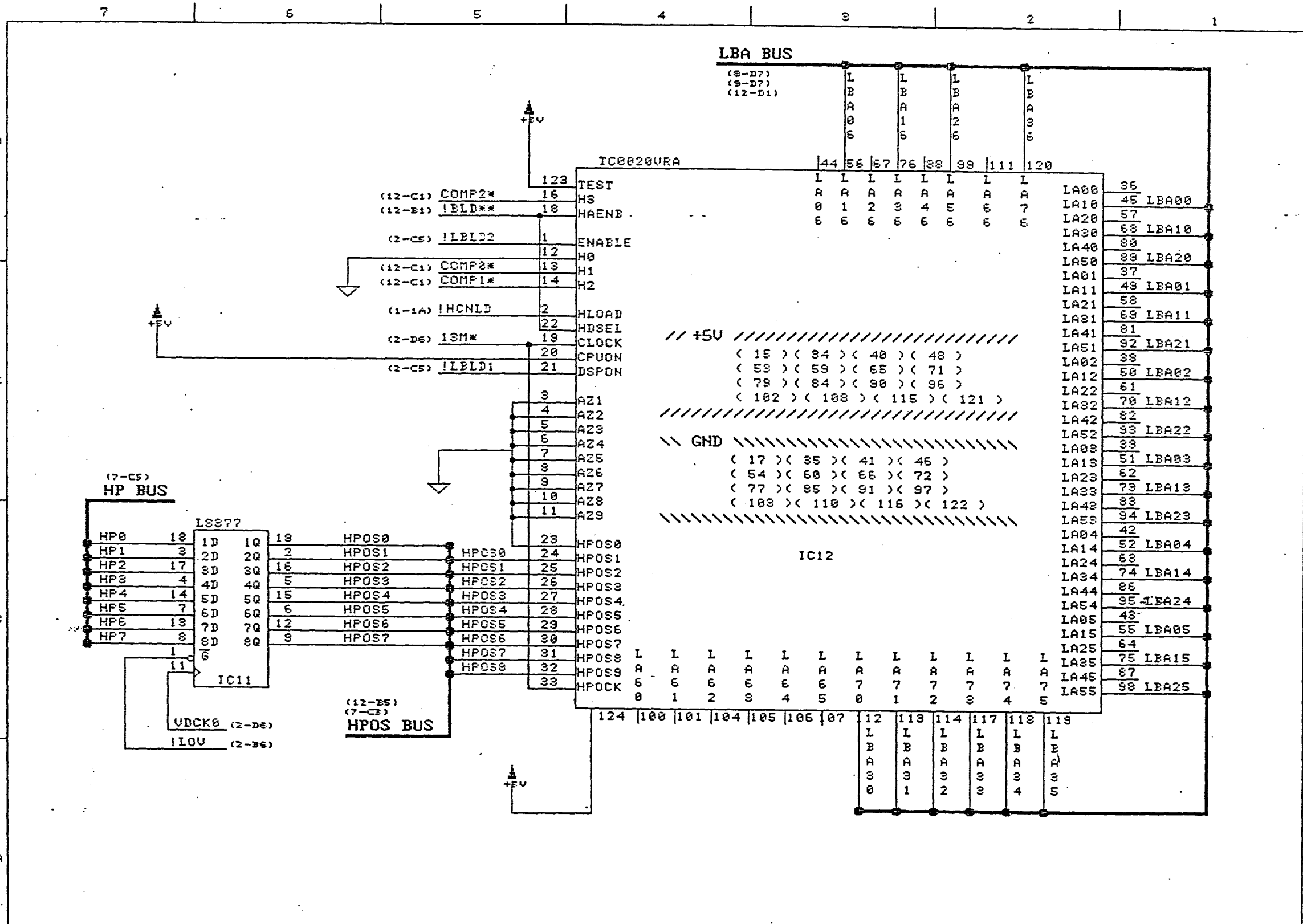
PROJECT	TITLE	DESIGN	DRWING DAYS	SIZE	TAITO CORPORATION	SHEET
	W51 00255A	S. Tsuchida	3.5.88'	A3		8 / 17

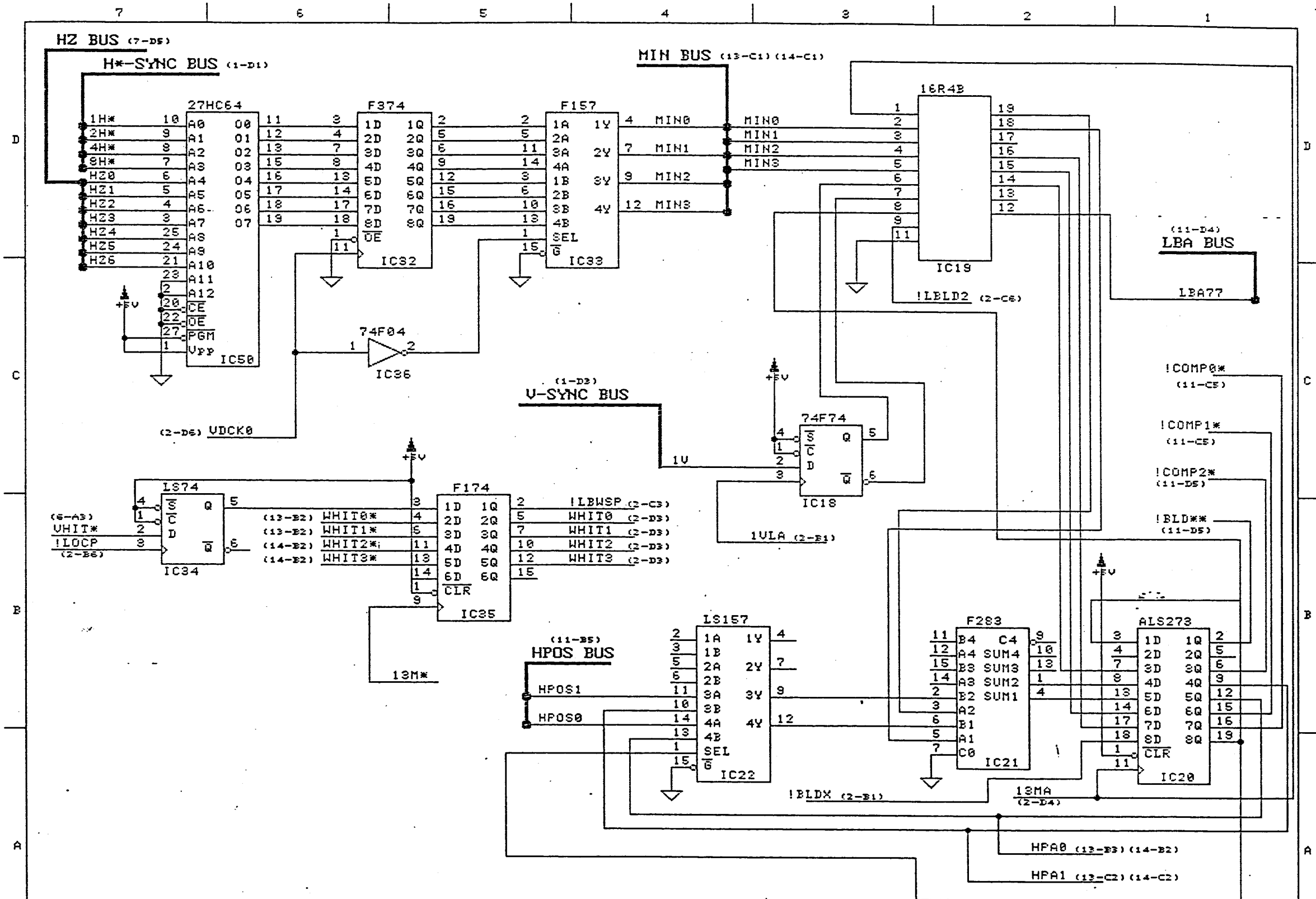


PROJECT	TITLE	DESIGN	DRIVING DAYS	SIZE	TAITO CORPORATION	SHEET
	W51 00255A	S. Tsuchida	3.5.88'	A3		9 / 17

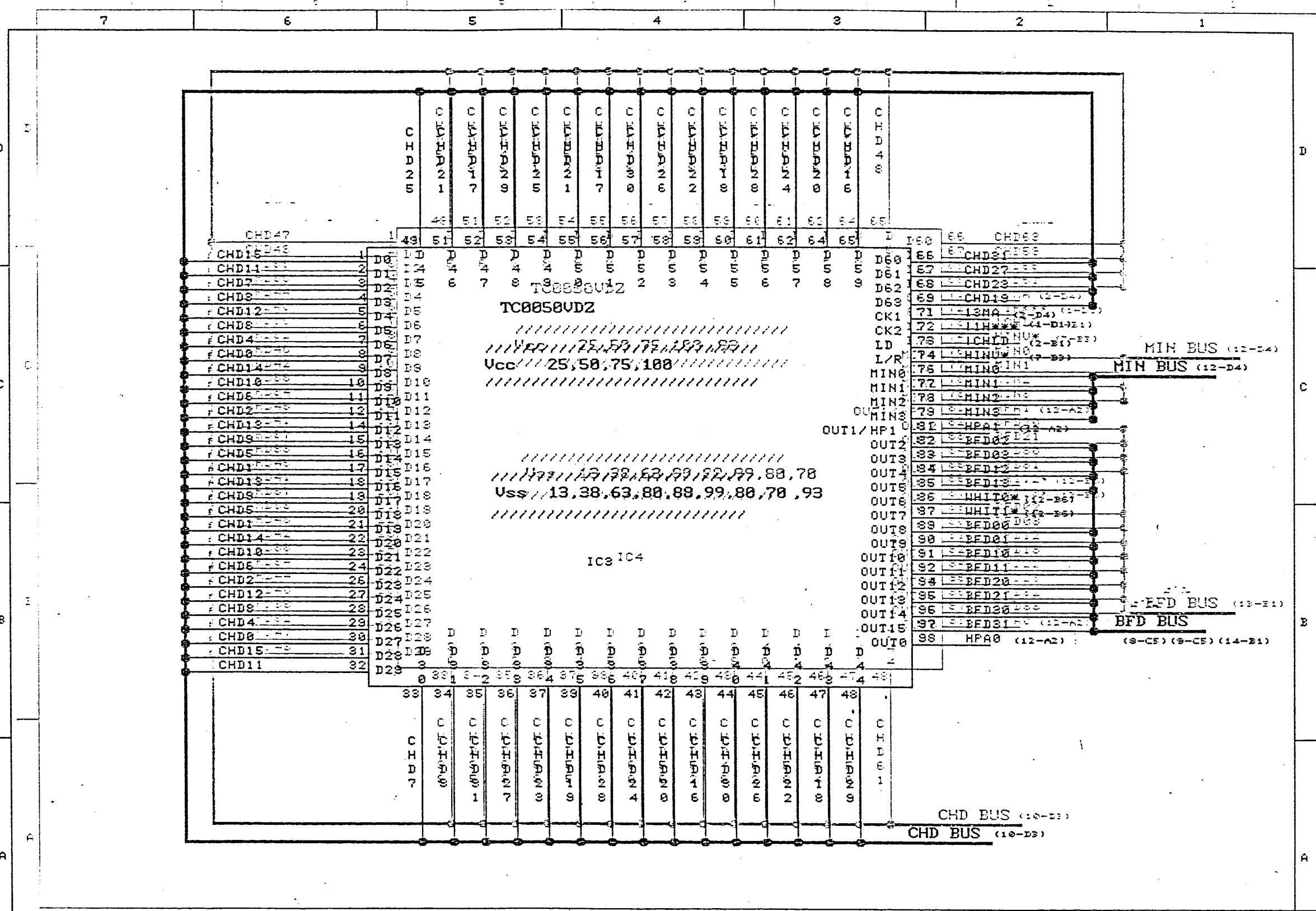


PROJECT	TITLE	DESIGN	DRAWING DAYS	SIZE		SHEET
	W5100255A	S. Touchida	3.5.88'	A3	TAITO CORPORATION	10 / 17

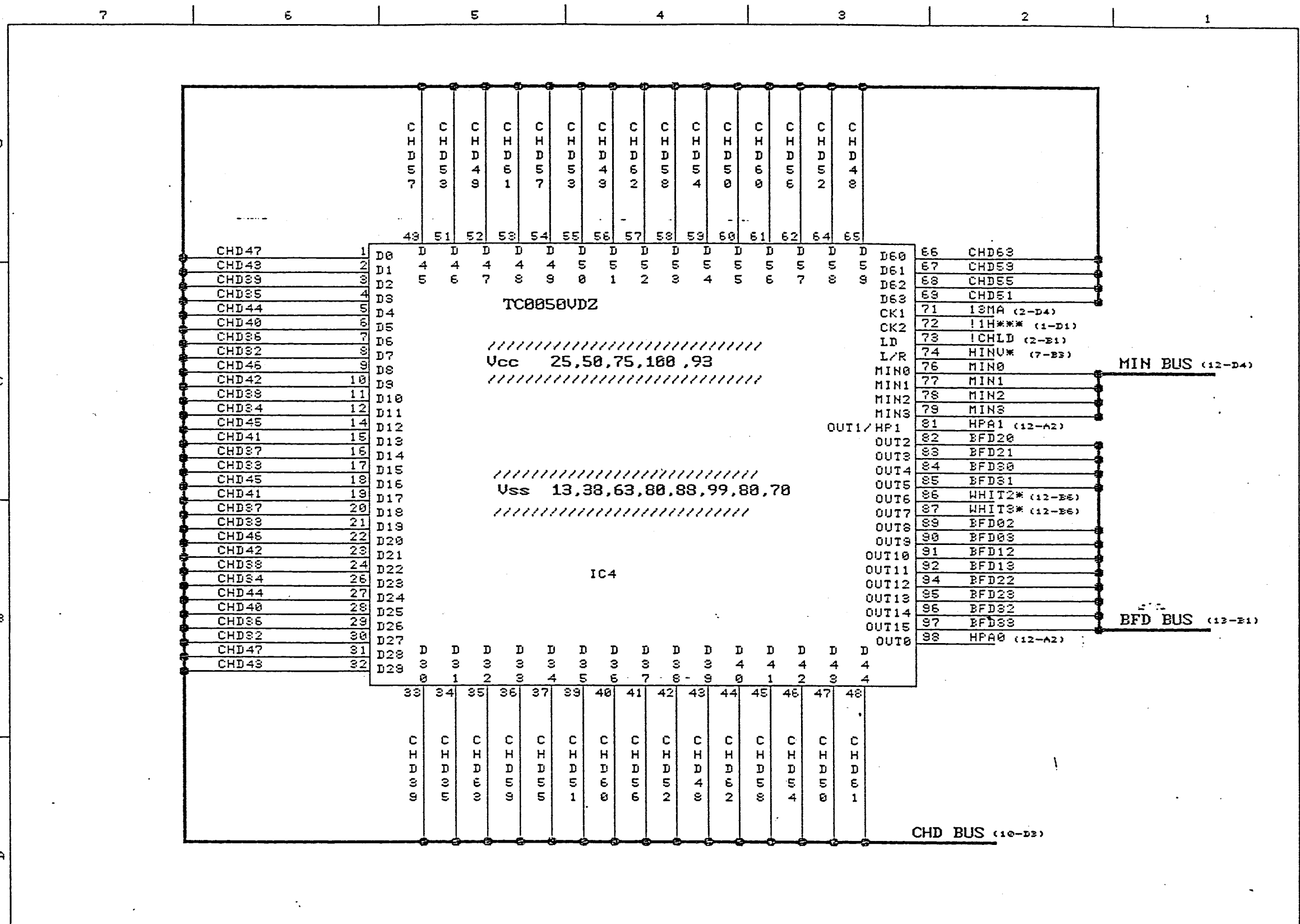




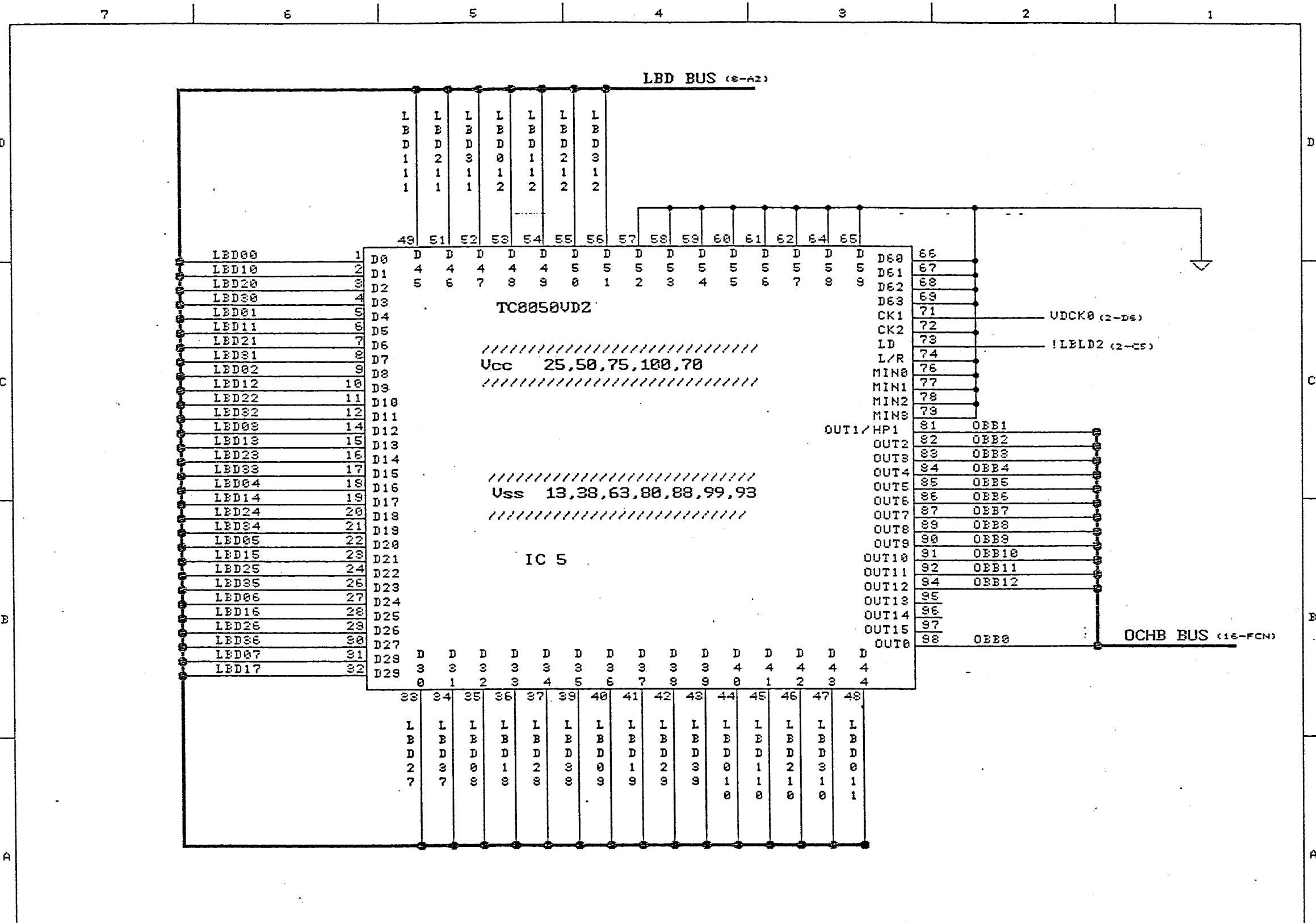
PROJECT	TITLE	DESIGN	DRWING DAYS	SIZE	TAITO CORPORATION	SHEET
	W5100255A	S. Tsuchida	3.5.88'	A3		12 / 17



PROJECT	TITLE	DESIGN	DRAWING DAYS	SIZE	SHEET
PROJECT	TITLE W5100255A	DESIGN <i>S. Touchida</i>	DRAWING DAYS 3.5.88	SIZE A3	SHEET 13 / 17
				TAITO CORPORATION	
				TAITO CORPORATION	13 / 17



PROJECT	TITLE	DESIGN	DRWING DAYS	SIZE	TAITO CORPORATION	SHEET
	W51 00255A	S. Touchida	3.5.88	A3		14 / 17



PROJECT	TITLE W51 00255A	DESIGN <i>S. Tsuchida</i>	DRAWING DAYS 3.5.88	SIZE A3	TAITO CORPORATION	SHEET 15 / 17
---------	---------------------	------------------------------	------------------------	------------	-------------------	------------------



7 | 6 | 5 | 4 | 3 | 2 | 1

E CONNECTOR

+5V	1	2	VA1
+5V	3	4	VA2
+5V	5	6	VA3
+5V	7	8	VA4
+5V	9	10	VA5
GND	11	12	VA6
GND	13	14	VA7
GND	15	16	VA8
GND	17	18	VA9
GND	19	20	VA10
GND	21	22	VD0
GND	23	24	VD1
GND	25	26	VD2
GND	27	28	VD3
GND	29	30	VD4
GND	31	32	VD5
GND	33	34	VD6
GND	35	36	VD7
GND	37	38	VD8
GND	39	40	VD9
GND	41	42	VD10
GND	43	44	VD11
GND	45	46	VD12
GND	47	48	VD13
GND	49	50	VD14
+5V	51	52	VD15
+5V	53	54	VR/H
+5V	55	56	/VLDS
+5V	57	58	/VUDS
+5V	59	60	OBJCS

F CONNECTOR

+5V	1	2	+5V
+5V	3	4	+5V
+5V	5	6	+5V
+5V	7	8	+5V
GND	9	10	OBB0
GND	11	12	OBB1
GND	13	14	OBB2
GND	15	16	OBB3
GND	17	18	OBB4
GND	19	20	OBB5
GND	21	22	OBB6
GND	23	24	OBB7
GND	25	26	OBB8
GND	27	28	OBB9
GND	29	30	OBB10
GND	31	32	OBB11
GND	33	34	OBB12
GND	35	36	
GND	37	38	VEL
GND	39	40	HSYNC
GND	41	42	USYNC
GND	43	44	OBJDTA
GND	45	46	13M
GND	47	48	GND
GND	49	50	PWRST
GND	51	52	GND
+5V	53	54	+5V
+5V	55	56	+5V
+5V	57	58	+5V
+5V	59	60	+5V

H CONNECTOR

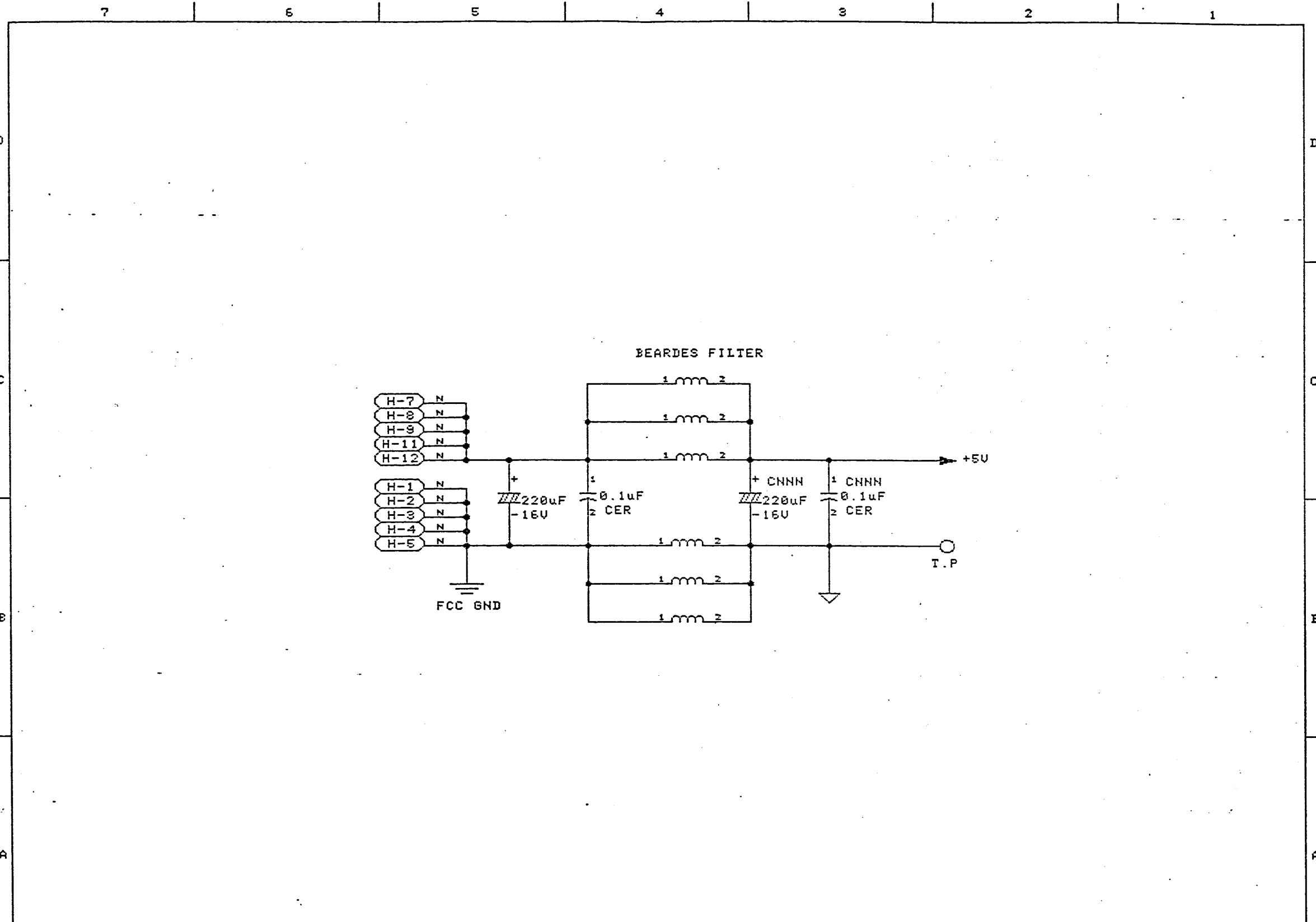
1	GND
2	GND
3	GND
4	GND
5	GND
6	
7	+5V
8	+5V
9	+5V
10	POST
11	+5V
12	+5V

D  
C  
B  
A

D  
C  
B  
A

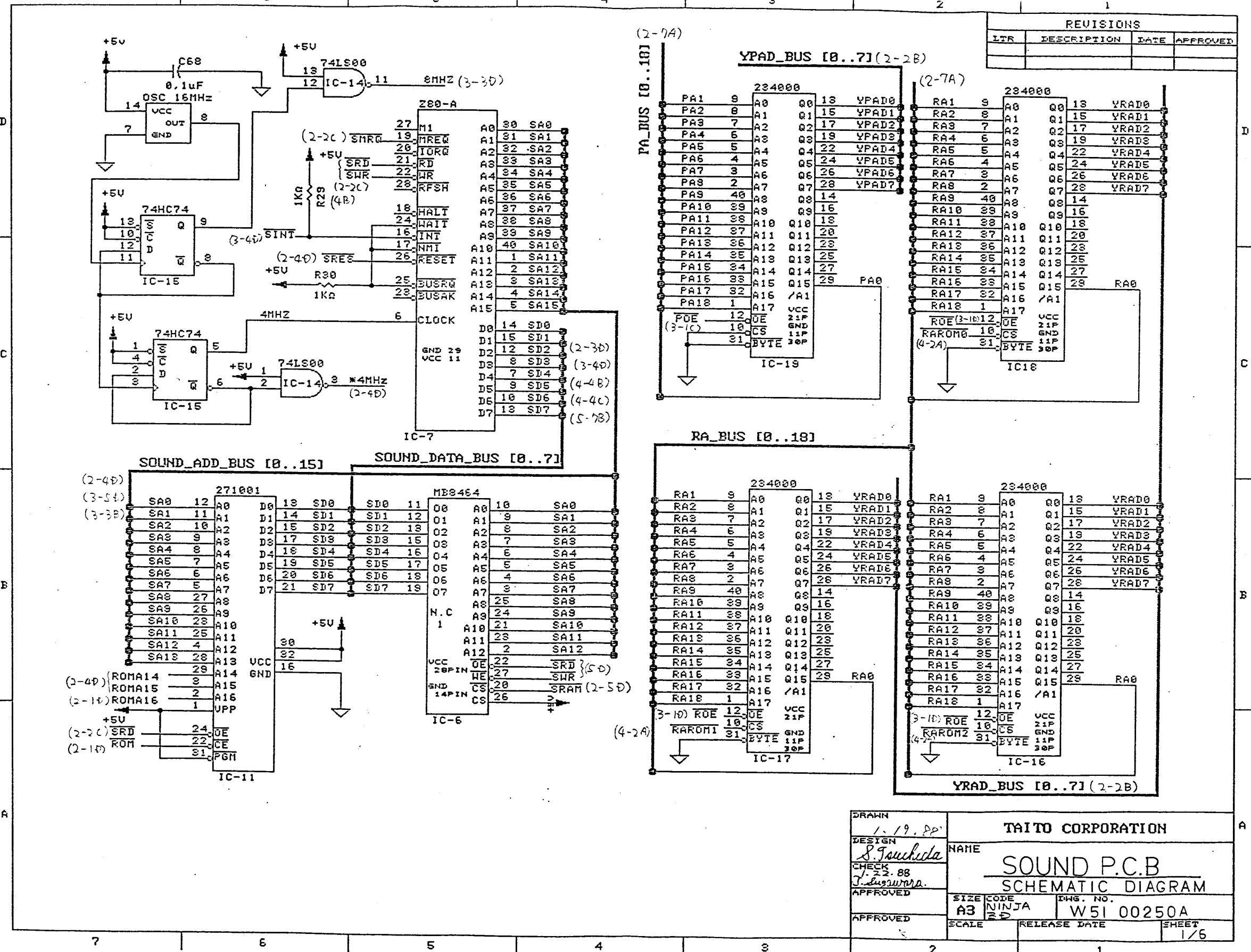
PROJECT	TITLE W5100255A	DESIGN <i>S. Tsuchida</i>	DRIVING DAYS 3.5.88'	SIZE A3	TAITO CORPORATION	SHEET 16 / 17
---------	--------------------	------------------------------	-------------------------	------------	-------------------	------------------

7 | 6 | 5 | 4 | 3 | 2 | 1

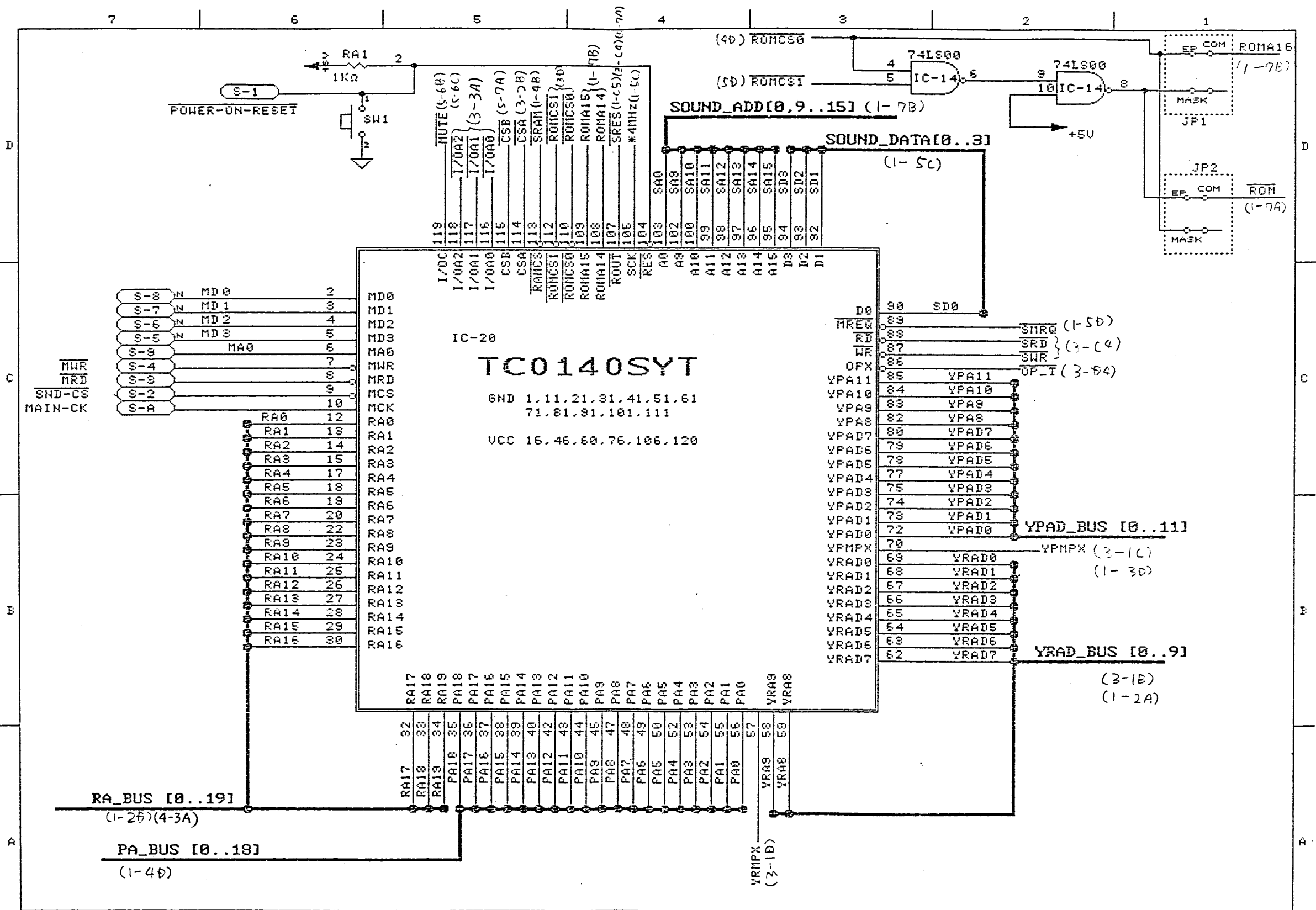


PROJECT	TITLE W5100255A	DESIGN <i>S. Touchida</i>	DRIVING DAYS 3.5.88'	SIZE A3	TAITO CORPORATION	SHEET 17 / 17
---------	--------------------	------------------------------	-------------------------	------------	-------------------	------------------

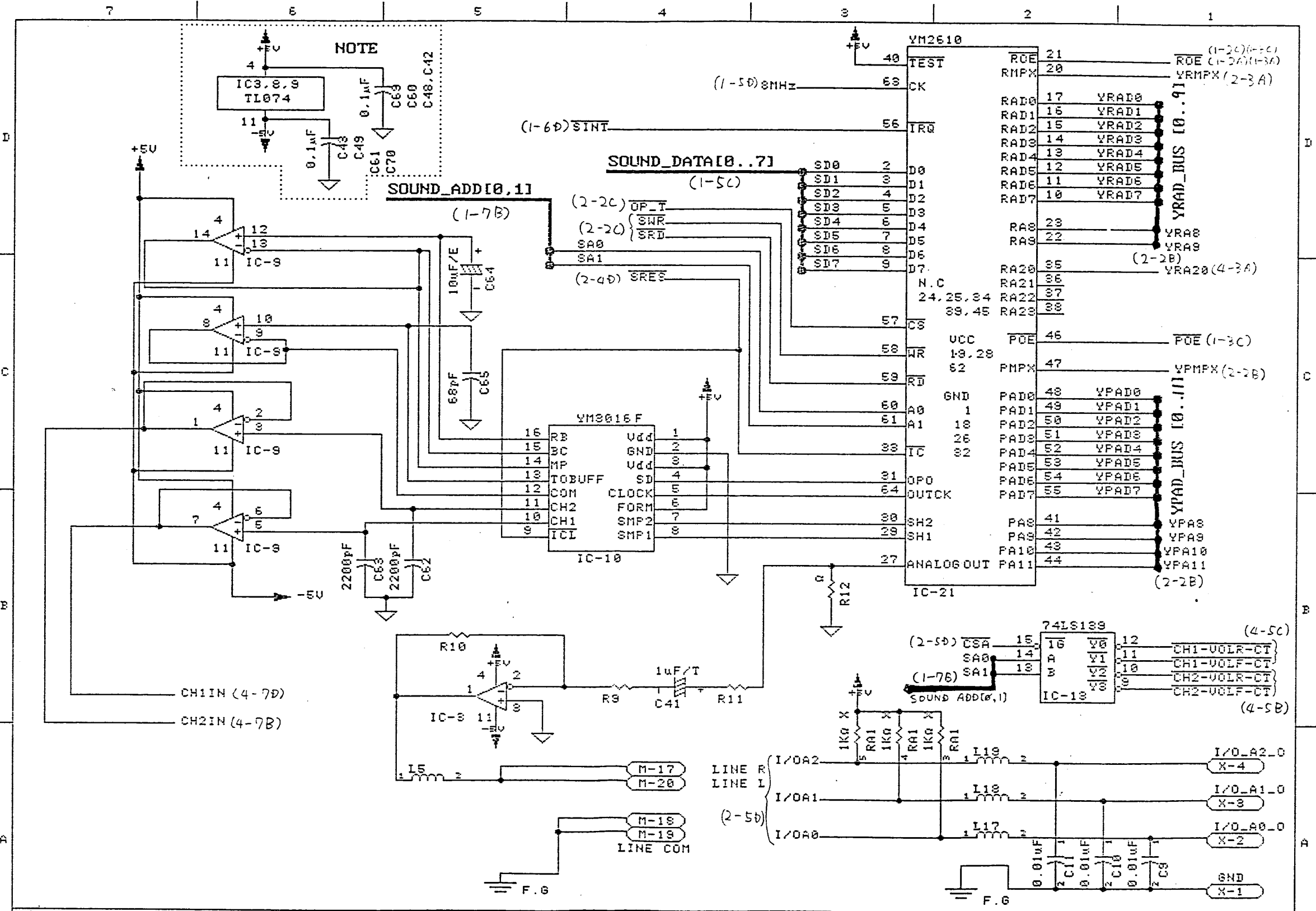
REVISIONS			
LTR	DESCRIPTION	DATE	APPROVED



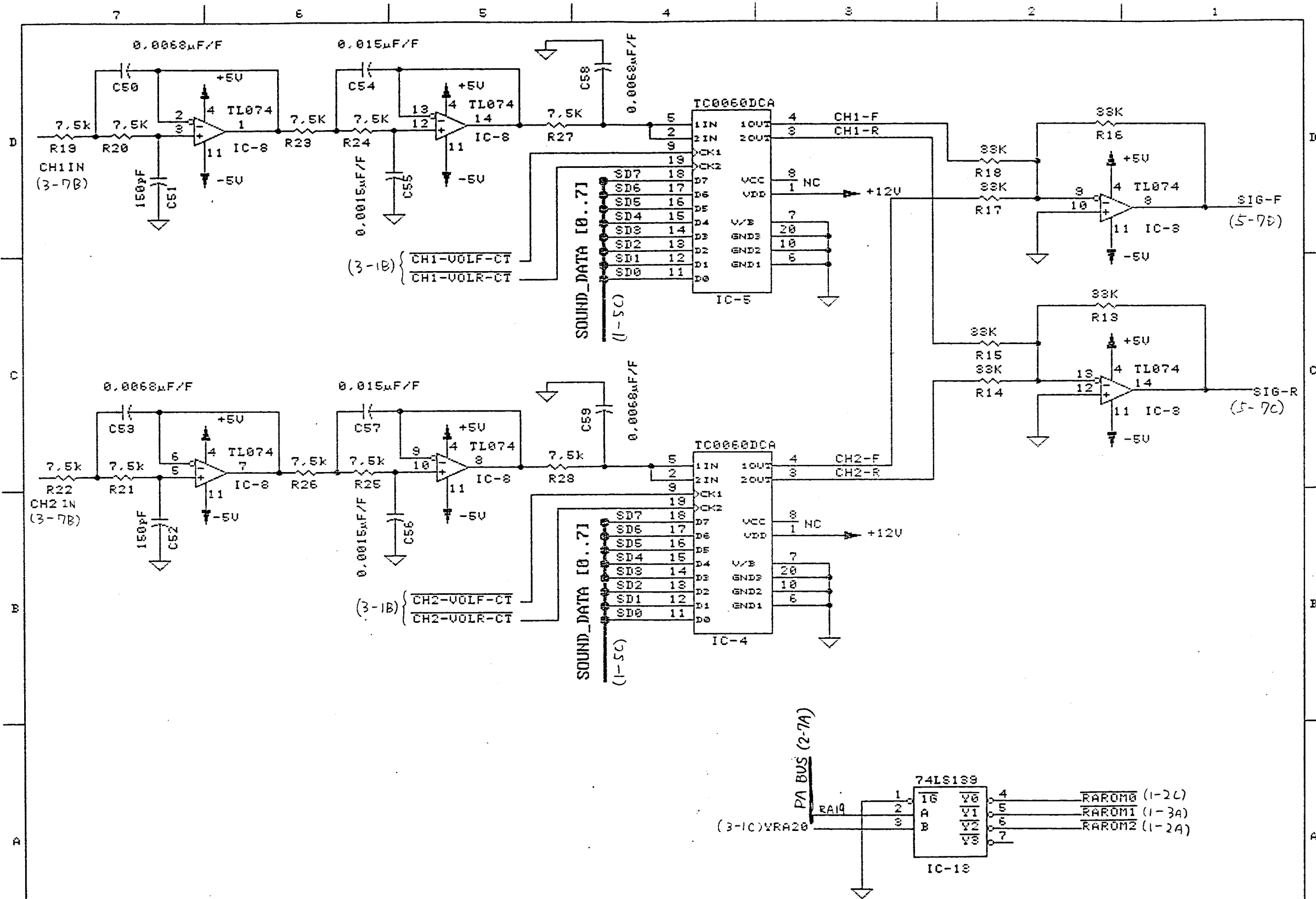
DRAWN 1.19.88	TAITO CORPORATION		
DESIGN S. Yoshida	NAME	SOUND P.C.B.	
CHECK 1.22.88 I. Sugawara	SCHEMATIC DIAGRAM		
APPROVED	SIZE A3	CODE NINJA	DWG. NO. W51 00250A
APPROVED	SCALE	RELEASE DATE	SHEET 1/6



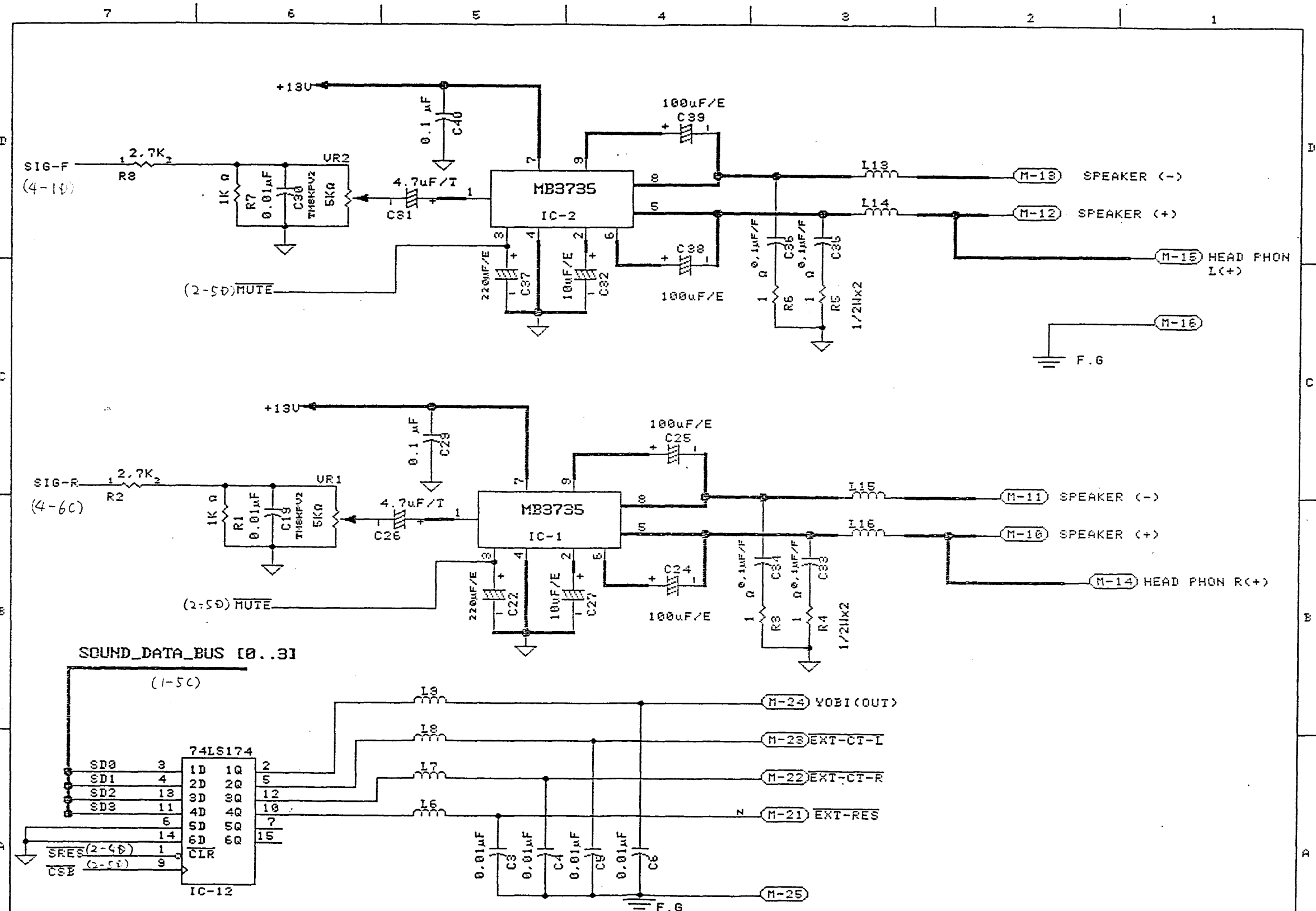
PROJECT	TITLE	DESIGN	DRWGNG DATE	SIZE	TAITO CORPORATION	SHEET
	W5100250A	S. Touchida	1.19.88'	A3		2/6



PROJECT	TITLE	DESIGN	DRAWING DAYS	SIZE	TAITO CORPORATION	SHEET
	W5100250A	S. Tsuchida	1.19.88'	A3		3/6



PROJECT	TITLE	DESIGN	DRAWING DAYS	SIZE	TAITO CORPORATION	SHEET
	W5100250A	S. Tsuchida	1. 19. 88'	A3		4/6



PROJECT	TITLE	DESIGN	DRWING DAYS	SIZE	TAITO CORPORATION	SHEET
	W5100250A	S. Tsuchida	1.19.88'	A3		5/6