



Parts and Operating Manual



Bally

MIDWAY MFG. CO.

10601 W. Belmont Avenue
Franklin Park, Illinois 60131
U.S.A.



Phone: (312) 451-9200 Cable Address: MIDCO Telex No.: 72-1596

WARNING

THIS GAME MUST BE GROUNDED. FAILURE TO DO SO MAY RESULT IN DESTRUCTION TO ELECTRONIC COMPONENTS.

WARNING: This equipment generates, uses, and can radiate radio frequency energy and if not used in accordance with the instructions manual, may cause interference to radio communications. It has been tested and found to comply with the limits for a CLASS A computing device pursuant to SUBPART J of PART 15 of FCC RULES, which are designed to provide reasonable protection against such interference when operated in a commercial environment. Operation of this equipment in a residential area is likely to cause interference in which case the user at his own expense will be required to take whatever measures may be required to correct the interference.

ELECTRICAL BULLETIN: FOR ALL APPARATUS COVERED BY THE CANADIAN STANDARDS ASSOCIATION (CSA) STANDARD C22.2 NO. 1, WHICH EMPLOYS A SUPPLY CORD TERMINATED WITH A POLARIZED 2-PRONG ATTACHMENT PLUG.

CAUTION: TO PREVENT ELECTRIC SHOCK DO NOT USE THIS (POLARIZED) PLUG WITH AN EXTENSION CORD, RECEPTACLE OR OTHER OUTLET UNLESS THE BLADES CAN BE FULLY INSERTED TO PREVENT BLADE EXPOSURE.

ATTENTION: POUR PREVENIR CHOCS ELECTRIQUES NE PAS UTILISER CETTE FICHE POLARISEE AVEC UN PROLONGATEUR. UNE PRISE DE COURANT OU UNE AUTRE SORTIE DE COURANT, SAUF SI LES LAMES PEUVENT ETRE INSEREES A FOND SANS EN LAISSER AUCUNE PARTIE A DECOUVERT.

Bally MIDWAYTM

Invites You To Use

**OUR TOLL FREE NUMBERS FOR
SERVICE INFORMATION CONCERNING THIS GAME, OR ANY
OTHER BALLY MIDWAY GAME YOU NOW HAVE ON LOCATION.**

**CALL US FOR PROMPT, COURTEOUS
ANSWERS TO YOUR PROBLEMS.**

VIDEO → Continental U.S. 1-800-323-7182

PINBALL → Continental U.S. 1-800-323-3555

Bally MIDWAYTM

10601 West Belmont Avenue, Franklin Park, Illinois, 60131

phone (312)451-9200

© COPYRIGHT MCMLXXXIII BY BALLY/MIDWAY CO. ALL RIGHTS RESERVED.

NO PART OF THIS PUBLICATION MAY BE REPRODUCED BY ANY MECHANICAL, PHOTOGRAPHIC, OR ELECTRONIC PROCESS, OR IN THE FORM OF A PHONOGRAPHIC RECORDING, NOR MAY IT BE TRANSMITTED, OR OTHERWISE COPIED FOR PUBLIC OR PRIVATE USE, WITHOUT PERMISSION FROM THE PUBLISHER. THIS MANUAL IS FOR SERVICE USE ONLY, AND NOT FOR GENERAL DISTRIBUTION. FOR PERMISSION REQUESTS, WRITE: MIDWAY MFG. CO., 10750 W. GRAND AVE., FRANKLIN PARK, IL 60131

Printed in U.S.A.

TABLE OF CONTENTS

DESCRIPTION	PAGE
I. Game Operation	1-1
Self-Test Mode	1-2
Explanation of Self-Test Functions	1-3
Attract Mode	1-5
Ready-to-Play Mode	1-6
Play Mode	1-6
One Player Game	1-7
Two Player Game	1-7
 II. Illustrated Parts Breakdown	
No. 573-Professor Pac-Man Upright-Front	2-2
No. 573-Professor Pac-Man Upright-Front Parts List	2-3
No. 573-Professor Pac-Man Upright-Rear Access	2-4
No. 573-Professor Pac-Man Upright-Rear Access Parts List	2-5
No. 573-Professor Pac-Man Upright-Header Fluorescent Light Assy	2-7
No. 573-Professor Pac-Man Upright-Fluorescent Light Assy. Parts List	2-7
Professor Pac-Man-Power Chassis Assy.-125VA, 115V	2-8
Professor Pac-Man-Power Chassis Assy.-125VA, 115V-Parts List	2-9
Professor Pac-Man-Front Door Assy-U.S.A. 25¢	2-10
Professor Pac-Man-Front Door Assy-U.S.A. 25¢-Parts List	2-11
 III. Schematics and Wiring Diagrams	
Wiring Diagram-Upright	3-1
C.P.U. P.C. Board-Component Layout	3-2
C.P.U. P.C. Board-Schematic	3-3
Screen RAM P.C. Board-Component Layout	3-4
Screen RAM P.C. Board-Schematic	3-5
Game Memory P.C. Board-Component Layout	3-6
Game Memory P.C. Board-Schematic	3-7
Game P.C. Board-Component Layout	3-8
Game P.C. Board-Schematic	3-9
640K EPROM P.C. Board-Component Layout	3-10
640K EPROM P.C. Board-Schematic	3-11
Pattern P.C. Board-Component Layout	3-12
Pattern P.C. Board-Schematic	3-13
Audio Amp P.C. Board-Component Layout	3-14
Audio Amp P.C. Board-Schematic	3-15
125VA Power Supply Board-Component Layout	3-16
125VA Power Supply Board-Schematic	3-17
125VA Power Chassis-Upright Schematic	3-18
 Professor Pac-Man Option Switch Settings	Inside Back Cover

PROFESSOR PAC-MAN

GAME OPERATION

PROFESSOR PAC-MAN is a one or a two player game with a color T.V. monitor. The game gives a display which has all the parts shown in Figure 1-1

The game has five possible modes of operation: **AT-TRACT**, **READY-TO-PLAY**, **PLAY**, **HIGH SCORE/INITIAL**, and **SELF-TEST**.

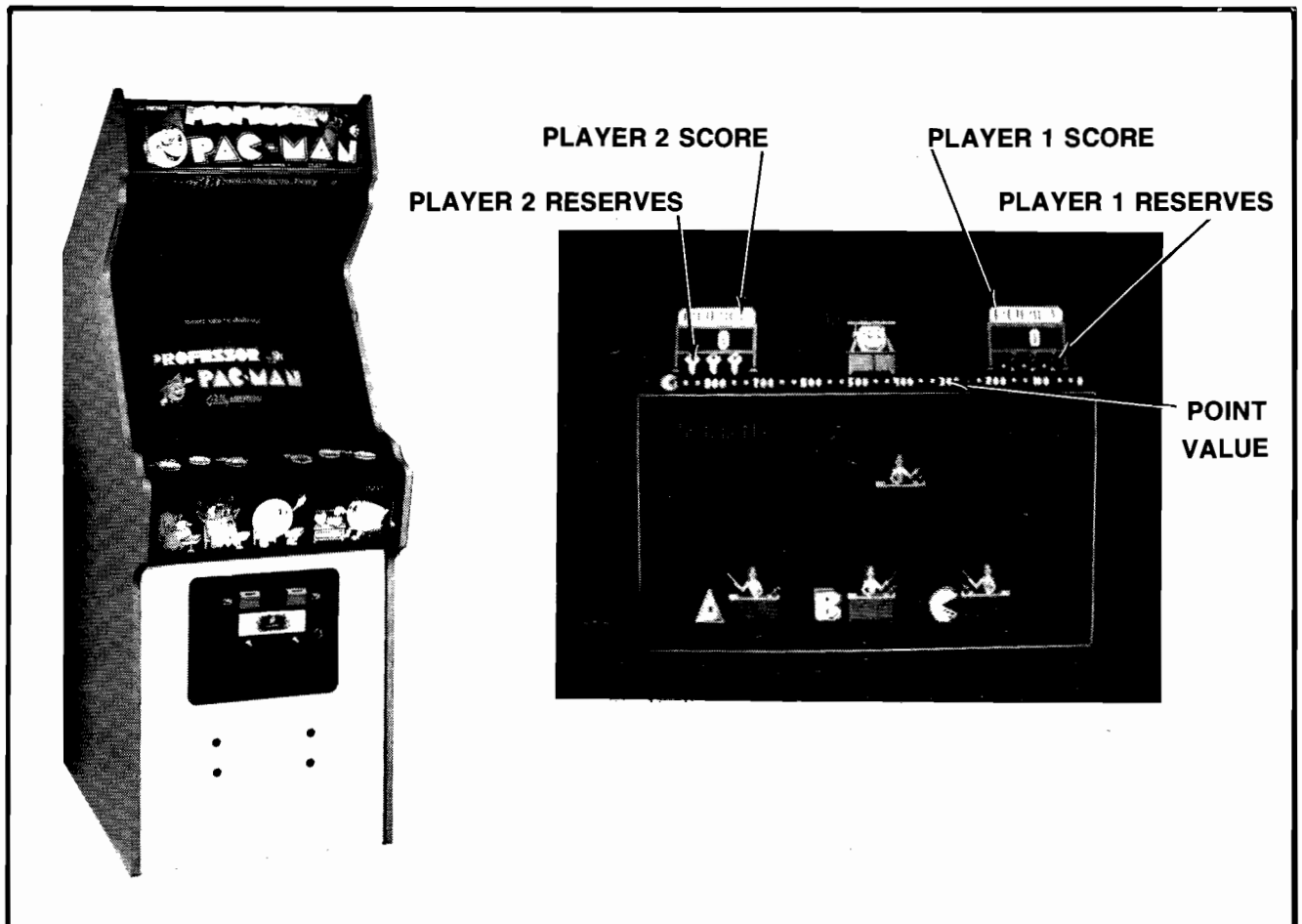


Figure 1-1 On Screen Graphics During Play

SELF-TEST MODE

The Self-Test mode is a special mode for checking the game switches and computer functions. It is the easiest and best way to check for proper operation of the entire game.

When in the Self-Test mode you will see a CURSOR (arrow pointing to the right) at the left edge of the monitor screen. To position the CURSOR, use the right hand (1 PLAYER) "A" — "B" — "C" Control Buttons. The "B" Button is used to select/exit a function indicated by the CURSOR. The "A" Button is used to move the CURSOR up the left hand side of the monitor screen while the "C" Button is used to move the CURSOR down the left hand side of the monitor screen.

To exit the Self-Test mode, turn the Self-Test Switch to the "OFF" position, move the CURSOR to any of the following words: "REPEAT", "RETURN", or "EXIT" (the exact wording depends on the test level you are in), and press the "B" Button.

Displays of test results will generally take one of two forms: 1) a display of colored rectangles, or 2) the words "GOOD", "BAD" or "OK". In the colored rectangle displays, generally GREEN means GOOD and RED means BAD. Failures of any of the **CIRCUITRY TESTS** will probably require P.C. Board swapping in the field to determine the defective Board which can then be repaired later.

SPECIAL NOTE

In the ROM TESTS-SUPER GAME CARD, empty EPROM Sockets X10 through X17 (displayed as "K" through "S" in the test) may be indicated to be "EMPTY" or "BAD". Either indication is correct because there is nothing (no electronic parts) in these positions.

The Self-Test mode is fairly self-explanatory. You may begin a Self-Test at any time after the power to the game is on by sliding the Self-Test switch to the "ON" position. Now that the game is in the Self-Test mode, the functions it will perform can best be seen if given in outline form. They will then each be explained individually.

NOTE: Putting the game into Self-Test WILL NOT cause it to erase any CREDITS it has on it from its memory.

I. CIRCUITRY TESTS

- A. 16-COLOR BOARD TESTS
 - 1. WRITE MODES
 - 2. INTERCEPT
- B. RAM TESTS
 - 1. SCREEN RAM
 - 2. SCRATCH PAD
 - 3. WRITE-PROTECT
- C. ROM TESTS
 - 1. SUPER GAME CARD
 - 2. 16K CARD
- D. CONTINUOUS TEST
 - 1. START NEW TEST
 - 2. CONTINUE PREVIOUS TEST

II. VIDEO TEST/ADJUST

- A. CROSS HATCH
- B. COLOR BARS
- C. GREY LEVELS
- D. PURITY

III. AUDIO/MECHANICAL

- A. SOUNDS
- B. SWITCHES
- C. DEVICES
 - 1. COINCTR1
 - 2. COINCRT2
 - 3. LED1
 - 4. LED2
 - 5. LEFT LAMP A
 - 6. LEFT LAMP B
 - 7. LEFT LAMP C
 - 8. RIGHT LAMP A
 - 9. RIGHT LAMP B
 - 10. RIGHT LAMP C

IV. STATISTICS

- A. TIME INDEX 1 PLYR
- B. TIME INDEX 2 PLYR
- C. SCORE INDEX
- D. CLEAR STATISTICS

V. GAME SETTINGS

- A. SHILL SOUNDS
- B. FREE PLAY
- C. DOOR1—CO/CR
- D. DOOR2—C0/CR
- E. #FRUITS
- F. BONUS EVERY
- G. STARTING DIF
- H. INCREMENTAL DIF
- I. DEFAULTS

EXPLANATION OF SELF-TEST FUNCTIONS

I. CIRCUITRY TESTS

THE 16 COLOR BOARD TESTS check the majority of the circuitry on the SCREEN RAM and CPU boards.

THE RAM TESTS check the SCREEN RAM on the SCREEN RAM BOARD and the STATIC RAMS on the SUPER GAME MEMORY BOARD.

THE ROM TEST display will vary depending on the position of Setting Switch #5 on the GAME I/O BOARD. Initially, the game is manufactured using EPROM's and the required memory is split between the SUPER GAME MEMORY BOARD and the 640K EPROM BOARD. Later production will have ROM's. The position of the Setting Switch **WILL NOT** affect the operation of the game, only the manner in which the ROM TESTS are displayed. To properly display the ROM TEST for the BOARDS that you have in your games card rack, make sure Setting Switch #5 is set properly. (See DIP SWITCH SETTINGS under "**SWITCHES**" heading.)

THE CONTINUOUS TEST is generally used to test a game over night for heat related problems. Two options are available: 1) START NEW TEST resets the pass counter, error counter and reset counter, and 2) CONTINUE PREVIOUS TEST causes previous test to be continued without resetting the above mentioned counters. After each complete cycle of the CONTINUOUS TEST, the results are displayed. Also, by depressing and holding down the SELECT ONE PLAYER GAME BUTTON during a **CONTINUOUS TEST**, an almost immediate display can be obtained (the individual test that is running **MUST** be complete). Releasing the Button causes the **CONTINUOUS TEST** to proceed.

II. VIDEO TEST/ADJUST

These displays are used for adjusting the monitor in the game. Use the CROSS HATCH to adjust horizontal and vertical linearity, horizontal and vertical size, and convergence. Use COLOR BARS to verify that all three color guns are functioning. Use the GREY LEVELS to adjust overall brightness. Block 0 should be BLACK and block 15 should be WHITE. Each block from 0 to 15 should be progressively brighter.

III. AUDIO/MECHANICAL

These tests are designed to check all cabinet input and output devices for proper operation.

SOUNDS: Three tones are generated in each Audio Channel at the SAME time. Both channels should be at the SAME volume if the Volume Control Pots are set the same.

SWITCHES: This test is to verify that all Switches are functioning. Each rectangle represents a different Switch. The color of the rectangle should change from RED (for OFF) to GREEN (for ON) as each switch is actuated. Each Switch in the game is identified above its respective rectangle. The designation table follows.

- c1 - Coin Switch #1 (Left)
- c2 - Coin Switch #2 (Right)
- ts - Test Switch
- sl - Slam Switch (Tilt)
- 1p - Select 1 Player Game
- 2p - Select 2 Player Game
- la - Left Player A Button
- lb - Left Player B Button
- lc - Left Player C Button
- ra - Right Player A Button
- rb - Right Player B Button
- rc - Right Player C Button

DIP SWITCH SETTINGS: The designation table for the 8 position DIP SWITCH PACK located on the game I/O BOARD in the CARD RACK follows.

- ct - Cocktail Table
 - Switch Position #1 to "ON" = Cocktail Table Game
 - Switch Position #1 to "OFF" = Upright Game
- rs - Reset
 - Switch Position #2 to "ON" = Clears ALL Data (Score Index, Time Index, High Scores and Programmable Options whenever Game is turned "OFF" and then back "ON" again
 - Switch Position #2 to "OFF" = Does NOT reset data whenever Game is turned "OFF" and then back "ON" again
- lk - Lockup
 - Switch Position #3 to "ON" = Halt on error during CONTINUOUS TEST
 - Switch Position #3 to "OFF" = Does NOT halt on error, CONTINUOUS TEST goes on
- bp - Beep
 - Switch Position #4 to "ON" = Game gives audio response to test results—a HIGH pitched beep means good or OK and a LOW pitched beep means bad or error
 - Switch Position #4 to "OFF" = No audio response to test results
- rm - ROM
 - Switch Position #5 to "ON" = game uses 32K ROM's and displays test results accordingly
 - Switch Position #5 to "OFF" = game uses 8K and 16K ROM's and displays test results accordingly
- s6 - Switch Position #6 NOT USED
- s7 - Switch Position #7 NOT USED
- s8 - Switch Position #8 NOT USED

DEVICES: These tests check all Output Devices. When a particular test is chosen by positioning the cursor in front of the desired DEVICE to be tested and the Right Hand Player's "B" Button is pressed, the cursor disappears and the chosen DEVICE pulse "ON" and "OFF" at a rate of about once per second. Depressing the above mentioned "B" Button again causes the cursor to re-appear and the selected DEVICE should be in the "OFF" state. Games are shipped with only one Coin Counter. However, driver circuitry is provided for an OPTIONAL second Coin Counter. Therefore, on standard games, this test provides **NO** visual or audible output unless the Operator has installed the second Coin Counter.

IV. STATISTICS

These displays provide the Operator with information concerning playing times and scoring levels. This should prove useful in determining optimum Difficulty and Bonus Level Settings. The game keeps track of time and score for each game played and at the end of each game it updates the information used to create each of these displays.

TIME INDEX—1 PLR: In 90 second increments, displays the number of one player games played that fall into each category as well as the total number of one player games played.

TIME INDEX—2 PLR: In 180 second increments, displays the number of two player games played that fall into each category as well as the total number of two player games played.

SCORE INDEX: In 5000 point increments, displays the number of players that have achieved a final score that falls into each category. For example: if a two player game is played and one player finished with a score of 3456 and the second player finishes with a score of 2345, the number in the range of "0—5K" will increase by two. However, if player two had finished with a score of 6789, then the number in the range of "0—5K" will only increase by one and the number in the range of "5K—10K" will also increase by one.

CLEAR STATISTICS: This allows the Operator to clear the Time and Score Indexes individually. All-time high scores and initials **CAN NOT** be cleared using this routine.

V. GAME SETTINGS

SHILL SOUNDS: When the game is not being played and this feature is "ON", at the beginning of the attract sequence a musical tune is played to attract attention to the game. If this feature is not desired in quiet locations, it may be turned "OFF".

The "B" Button is used to select/exit this function and the "C" Button may be used to turn it "OFF" (The "A" Button is used to turn it "ON".)

FREE PLAY: When this feature is "ON", no coins are required to play the game and the monitor screen displays this message "**FREE PLAY, SO HIT THE BUTTON**". The "B" Button is used to select/exit this function and the "C" Button may be used to turn it "OFF". (The "A" Button is used to turn it "ON".)

DOOR1—CO/CR // DOOR2—CO/CR: This allows the Operator to set the numbers of coins required for a given number of credits. It is totally adjustable for any combination from 1 coin for 1 credit to 1 coin for 9 credits. The reverse is also true. The game can be set up to require as many as 9 coins to give 1 credit or 2 credits, etc. Any combination of numbers is possible with a little experimentation. For example: if the game were set for 3/3 it would be the same as 1/1. Also, if the game were set for 2/3, one credit would be issued for the first coin and two credits would be issued for the second coin. **HOWEVER**, if a game were played and completed **BETWEEN** when the first and second coins were inserted, the second coin would only give one credit and a third coin would be required to get the next additional two credits. The game keeps track of fractions of a coin but clears the fraction at the end of the game.

The "B" Button is used to select/exit this function. The 2 PLAYER Button selects the COINS half of the option (the number to the left of the "/") and the 1 PLAYER Button selects the CREDITS half of the option (the number to the right of the "/"). The "A" Button may be used to make the number go higher in value while the "C" Button may be used to make the number go lower in value.

FRUITS: The number of FRUITS is the number of wrong answers a player is allowed at the start of a game. The "B" Button is used to select/exit this function. The "A" Button may be used to make the number go higher in value while the "C" Button may be used to make the number go lower in value.

BONUS EVERY: A BONUS question is given to a player every so often for answering a certain number of questions without a wrong answer (and without being interrupted by a correct answer provided by the other player in a TWO PLAYER game). It should also be noted that to increase the difficulty level of the game automatically, after the number of questions asked and answered is 30, the game adds two to the programmed number of questions that must be answered correctly without a wrong answer before the player will get another BONUS question.

For example, the default value is three. **AFTER** answering 3 questions in a row correctly, the player gets a **BONUS** question. After the 30th question is asked, the player **WILL NOT** get any BONUS questions until he answers 5 questions in a row correctly. **AFTER** the next 30 questions are asked he would have to answer 7 questions in a row correctly to get a BONUS question—and so on.

A player **DOES NOT** lose a FRUIT if he answers a BONUS question incorrectly. If he answers it correctly, he is awarded double the score of the question and is given an additional FRUIT.

The "B" Button is used to select/exit this function. The "A" Button may be used to make the number go higher in value while the "C" Button may be used to make the number go lower in value. For this option, **ONLY** the values 2, 3, 4, 5, and 6 are allowed as initial settings.

STARTING DIFF: The difficulty level of the game is controlled in several ways. Certain questions are inherently more difficult than others i.e. sequences of six objects are more difficult than sequences of four objects. Also, as the degree of difficulty increases, the Pac-Man that eats the score value dots across the top of the screen increases his speed so that there is less time to answer.

On a scale of 1 to 9, 1 is the **EASIEST** and 9 is the **MOST DIFFICULT** level of play. The setting of this option only sets the degree of difficulty the game **STARTS** at. The "B" Button is used to select/exit this function. The "A" Button may be used to make the number go higher in value while the "C" Button may be used to make the number go lower in value.

INCREMENTAL DIFF: How **quickly** the game gets more difficult is controlled by this setting. A setting of 1 would cause the game to take a **longer** time to get to the next level of difficulty while a setting of 9 would cause the game to take a **shorter** time to get to the next level of difficulty. The "B" Button is used to select/exit this function. The "A" Button may be used to make the number go higher in value while the "C" Button may be used to make the number go lower in value.

DEFAULT: The games **DEFAULT** settings are the factory recommended settings and are as follows:

SHILL SOUNDS are OFF
FREE PLAY is OFF
DOOR1—CO/CR is 1/1
DOOR2—CO/CR is 1/1
FRUITS is 3
BONUS EVERY 3 QUESTIONS
STARTING DIFF is 3
INCREMENTAL DIFF is 3

Depressing the "B" Button while "**DEFAULTS**" is selected will change the display to the above settings. The word "**SET**" will also be displayed to the right of the word "**DEFAULTS**" for about *two seconds* to alert the operator that the settings have been changed.

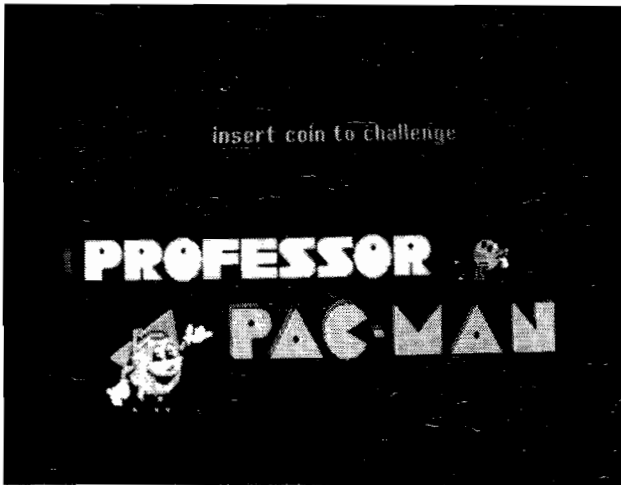
When finished with the Self-Test mode, slide the Self-Test switch back to the "OFF" position. To exit the Self-Test mode after the Self-Test Switch is in the "OFF" position, move the CURSOR to any of the following words: "**REPEAT**", "**RETURN**", or "**EXIT**" (the exact wording depends on the test level you are in), and press the "B" Button.

Normal game functions will now return to the monitor screen.

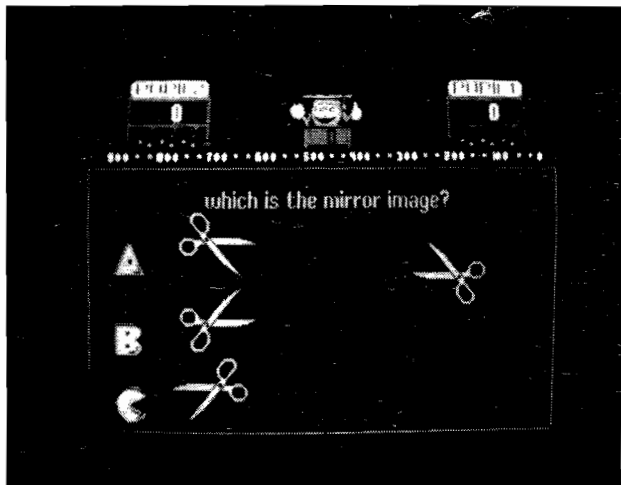
ATTRACT MODE

1. The Attract mode starts:

- Just after power has been turned on to the game. (Self-Test switch is in the "OFF" position.)
- After a Self-Test has been completed. (Performing a Self-Test **DOES NOT** set the credits in the games memory to zero "0".)
- After a play has been finished, the score was not high enough to put the game into the High Score/Initial mode, and there are no more credits left in the games memory.
- After the High Score/Initial mode when there are no more credits left in its memory.
- In the Attract mode, the game will give the following displays *centered* on the monitor screen:

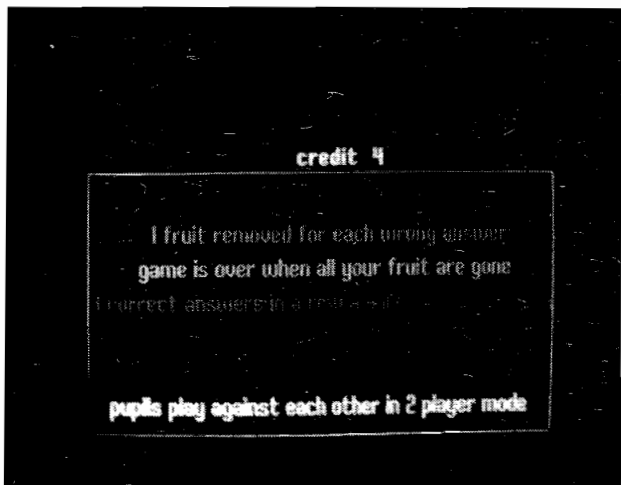


Attract Mode Display 1



Attract Mode Display 2

No matter where the game is in the Attract mode sequence, it will immediately go to the following display as soon as a game has been paid for.



Ready to Play Mode Display

READY-TO-PLAY MODE

1. The Ready-To-Play mode starts when enough coins have been accepted for a 1 or a 2 player game.
2. The Ready-To-Play mode ends when either the "1 PLAYER" or the "2 PLAYER" push button is pressed.
3. In the Ready-To-Play mode, the game will give the above displays *centered* on the monitor screen.
4. If no START button is pressed, the displays will remain indefinitely as shown above.

PLAY MODE

PROFESSOR PAC-MAN is a game of observation skill designed for either 1 or 2 players. After a question is displayed the player must answer correctly to receive a score. A player's score is shown within the blackboard assigned to him. Player 1's blackboard is in the upper right hand corner of the monitor screen and player 2's blackboard is in the upper left hand corner of the monitor screen. A FRUIT symbol and a number are displayed next to each player's blackboard. The number indicates the quantity of incorrect answers a player has left **BEFORE** the game is over for that particular player. The FRUIT symbol indicates the level of difficulty that that particular player has achieved at any point in the game.

Professor Pac-Man is seated at the desk in the top center of the monitor screen and he displays the number of questions that have been asked so far this game (including BONUS QUESTIONS). Below Professor Pac-Man is a row of dots representing the score for the current question and indirectly the time remaining to answer the current question.

After the current question is asked, a Pac-Man starts eating the dots from left to right. When the question is answered, the Pac-Man stops eating the dots and his position is relative to the score that is awarded if the question is answered correctly. If the question was answered incorrectly, Pac-Man will continue eating dots until the question is answered correctly (you are allowed 2 tries) or until he eats the last dot—which is equal to zero points and is the "time up point".

The maximum number of points that can be awarded is "900" and the minimum is "0". As the game progresses in difficulty, the amount of time it takes Pac-Man to eat all the scoring dots gets shorter and shorter until, at the most difficult level of play, he eats them all in about 3 seconds.

Bonus questions are awarded if a player answers a given number of questions in a row correctly—no mistakes. The given number of questions that the player must answer before he gets a bonus question is Operator selectable during the Self-Test mode. A correct answer to a bonus question is rewarded by giving the player two times the score value attained plus a BONUS FRUIT. A player is allowed **ONLY 1 CHANCE** to answer a bonus question correctly. However, an incorrect answer to a bonus question **DOES NOT** penalize the player by subtracting a Fruit.

Certain factors differ between 1 and 2 player games so each will be covered by itself later in this text.

ONE PLAYER GAME

In the **ONE PLAYER GAME**, the player is challenging himself to answer correctly and quickly to achieve a high score. As each question is asked, the player is permitted **two** chances to answer correctly. If the player fails to respond to a question, a Fruit is subtracted from the player. The *first time* within a question that a player answers incorrectly, a Fruit is subtracted. If time still remains, the player can try to answer again. However, if he **DOES NOT** try to answer again and time runs out, another Fruit **WILL NOT** be subtracted from him. **BUT--** if the player does have enough time—and tries to answer the question the *second time*—but is still incorrect, **ANOTHER** Fruit **WILL** be subtracted from him.

It is to the players advantage NOT to try to answer **ANY** question the *second time* if he is not 100% sure of the answer because he will not be penalized again if he doesn't try. But he will be penalized for another wrong attempt which turns out to be wrong.

TWO PLAYER GAME

In the **TWO PLAYER GAME**, the players are challenging each other to see who can answer correctly *first*. The player that answers correctly *first* receives the score and that player is indicated by the marquee-like pattern moving on the players blackboard.

If a player answers incorrectly, he loses a Fruit and the other player **MUST** try to answer the question correctly in the time remaining. If the other player *fails* to answer or *answers incorrectly*, a Fruit is subtracted from him also.

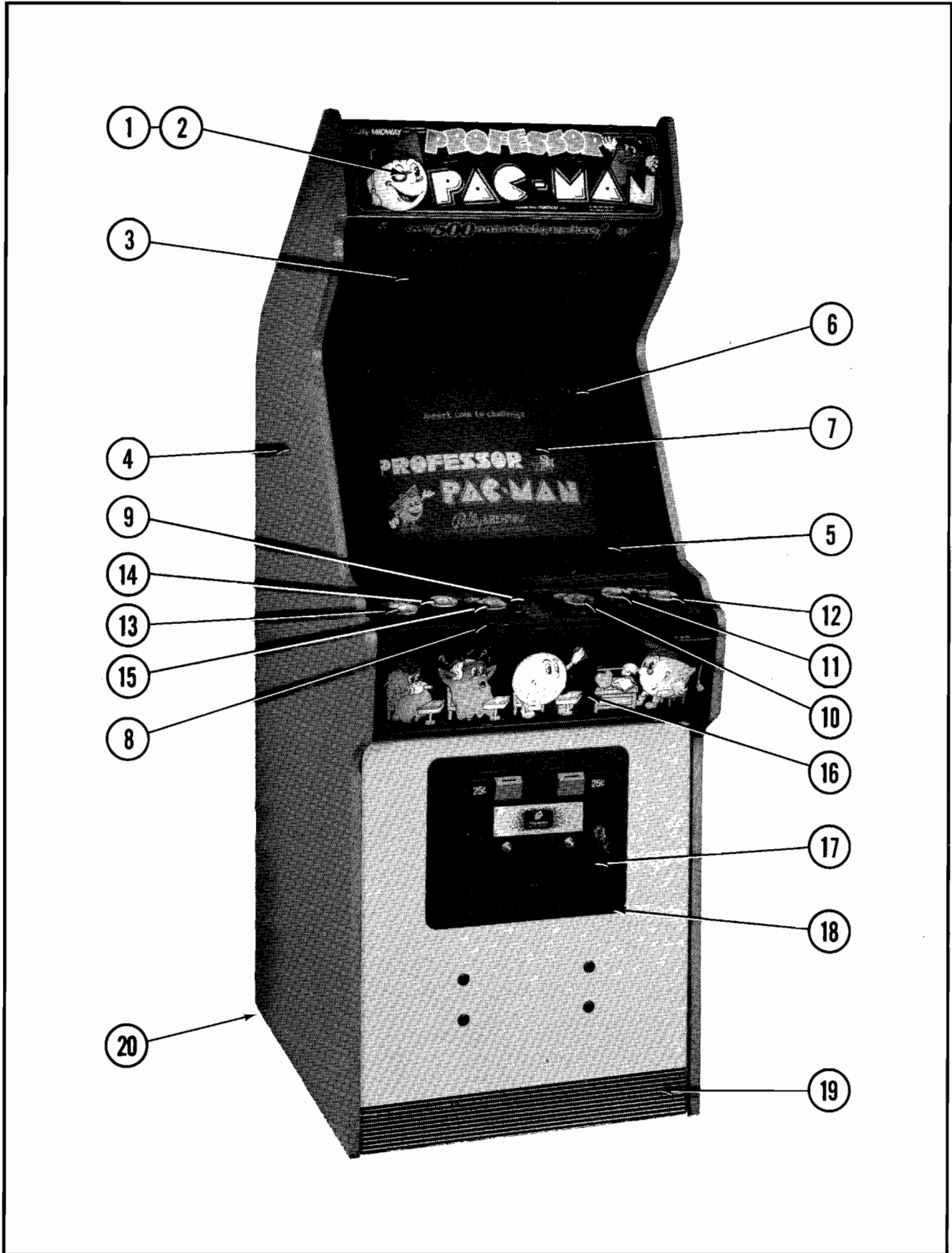
The game ends for the first player to run out of Fruit. The remaining player then continues to play from that point on just as though it were a single player game (that is—the remaining player is permitted two chances to answer each question).

HIGH SCORE/INITIAL MODE:

Follow the *on-screen instructions* to enter your initials.

II. Illustrated Parts Breakdown

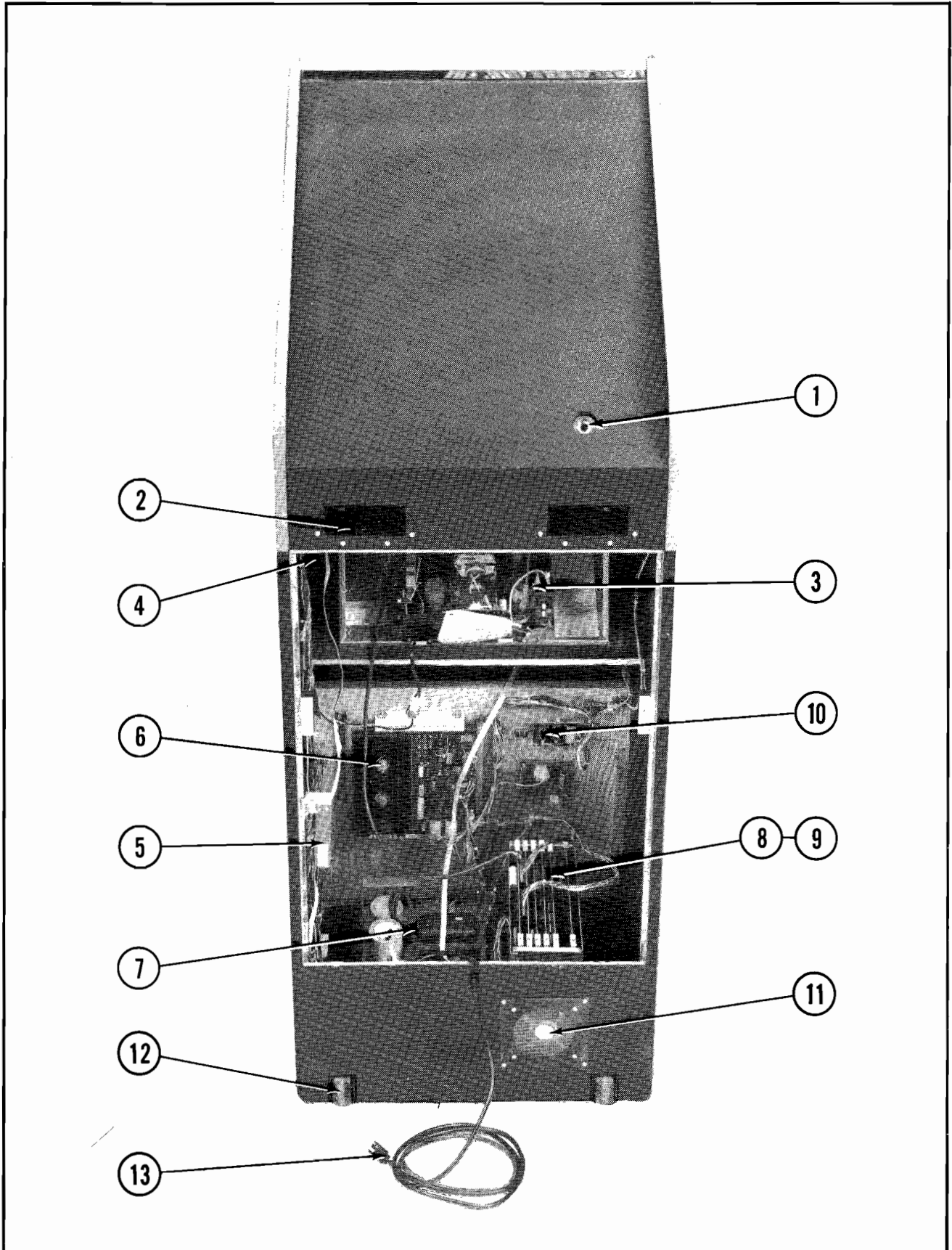
NO. 573 - PROFESSOR PAC-MAN - UPRIGHT - FRONT



NO. 573 - PROFESSOR PAC-MAN - UPRIGHT - FRONT - PARTS LIST

ITEM	PART NO.	DESCRIPTION
1	0573-00901-0000	FORMED HEADER
	0017-00101-0138	#8 x 5/8 TORX TAMPER RESISTANT SCREW (6 REQ'D.)
2	A595-00011-0000	FLUOR. HEADER LIGHT ASSY.
3	0017-00009-0393	BLACK SPEAKER GRILL W/SLOTS (2 REQ'D.)
	0017-00003-0430	6" x 9" SPEAKER - 4 OHM, IOW. (2 REQ'D.)
	0017-00101-0127	#8-32 x 1 1/2 CARRIAGE BOLT (8 REQ'D.)
	0017-00103-0061	#8-32 HEX NUT W/SEMS (8 REQ'D.)
4	0573-00906-0200	DECAL - LEFT SIDE (NOT SEEN)
	0573-00906-0100	DECAL - RIGHT SIDE (NOT SEEN)
5	0573-00902-00XF	VIEW GLASS - 23" x 20" x 3/16"
	0573-00107-0000	GLASS SUPPORT
6	0557-00900-0000	19" T.V. BEZEL
	0508-00106-0000	BEZEL MTG. BRKT.
7	0573-00907-0000	PLEXI - DIFFUSER
	0508-00901-0000	PLEXI - GLASS MTG. CLIP
	0017-00101-0017	#6 x 1/2 SLT. HEX HD. M.S. (4 REQ'D.)
8	A573-00013-0000	OVERLAY — CONTROL SHELF PLATE ASSY.
	A573-00014-0000	CONTROL SHELF PLATE WELDMENT ASSY.
	0573-00905-0000	DECORATIVE OVERLAY
	0573-00103-0100	CONTROL SHELF MTG. BRKT. - LEFT
	0573-00103-0200	CONTROL SHELF MTG. BRKT. - RIGHT
	0555-00901-0000	PLASTIC LOCATING PIN (4 REQ'D.)
	0017-00009-0534	BASSICK CLAMP (3 REQ'D.)
	0017-00101-0141	#8 x 11/16 UNSLOT HEX HD. SCREW (10 REQ'D.)
	0316-00903-0000	CONTROL SHELF STRAP
	A573-00006-0000	CONTROL SHELF CABLE ASSY.
9	0017-00032-0092	SMALL ILLUM. PUSH BUTTON SWITCH (2 REQ'D.)
	0929-00905-00XF	SWITCH BEZEL (2 REQ'D.)
	0017-00103-0089	5/8-24 HEX NUT (2 REQ'D.)
	0017-00104-0112	5/8 INT. WASHER (2 REQ'D.)
10	0017-00032-0108	ILLUMINATED PUSH BUTTON SWITCH - WHITE A
11	0017-00032-0109	ILLUMINATED PUSH BUTTON SWITCH - WHITE B
12	0017-00032-0110	ILLUMINATED PUSH BUTTON SWITCH - WHITE C
13	0017-00032-0111	ILLUMINATED PUSH BUTTON SWITCH - YELLOW A
14	0017-00032-0112	ILLUMINATED PUSH BUTTON SWITCH - YELLOW B
15	0017-00032-0113	ILLUMINATED PUSH BUTTON SWITCH - YELLOW C
16	0573-00903-0000	LOWER HEADER
	0628-00104-0000	LOWER HEADER SUPPORT BRKT.
	A573-00015-0000	CONTROL SHELF FLUOR. LIGHT ASSY. - LOWER
	0628-00911-0000	LOWER FLUOR. HAZARD SHIELD
17	A090-00073-02BK	U.S.A. 25¢ DOUBLE COIN DOOR ASSY.
	A982-00015-0000	COIN DOOR CABLE ASSY.
18	0090-00002-04BK	BLACK LARGE COIN DOOR FRAME
	0017-00101-0121	#6-32 x 5/16 PHIL. TRS. HD. SCR. (3 REQ'D.)
19	0935-00906-0100	KICK PLATE - 23" LG.
20	0017-00102-0048	3/8-16 x 2" LEG LEVELERS (4 REQ'D.)
	0017-00103-0026	3/8-16 LEG LEVELER HEX NUTS (4 REQ'D.)

NO. 573 - PROFESSOR PAC-MAN - UPRIGHT - REAR ACCESS



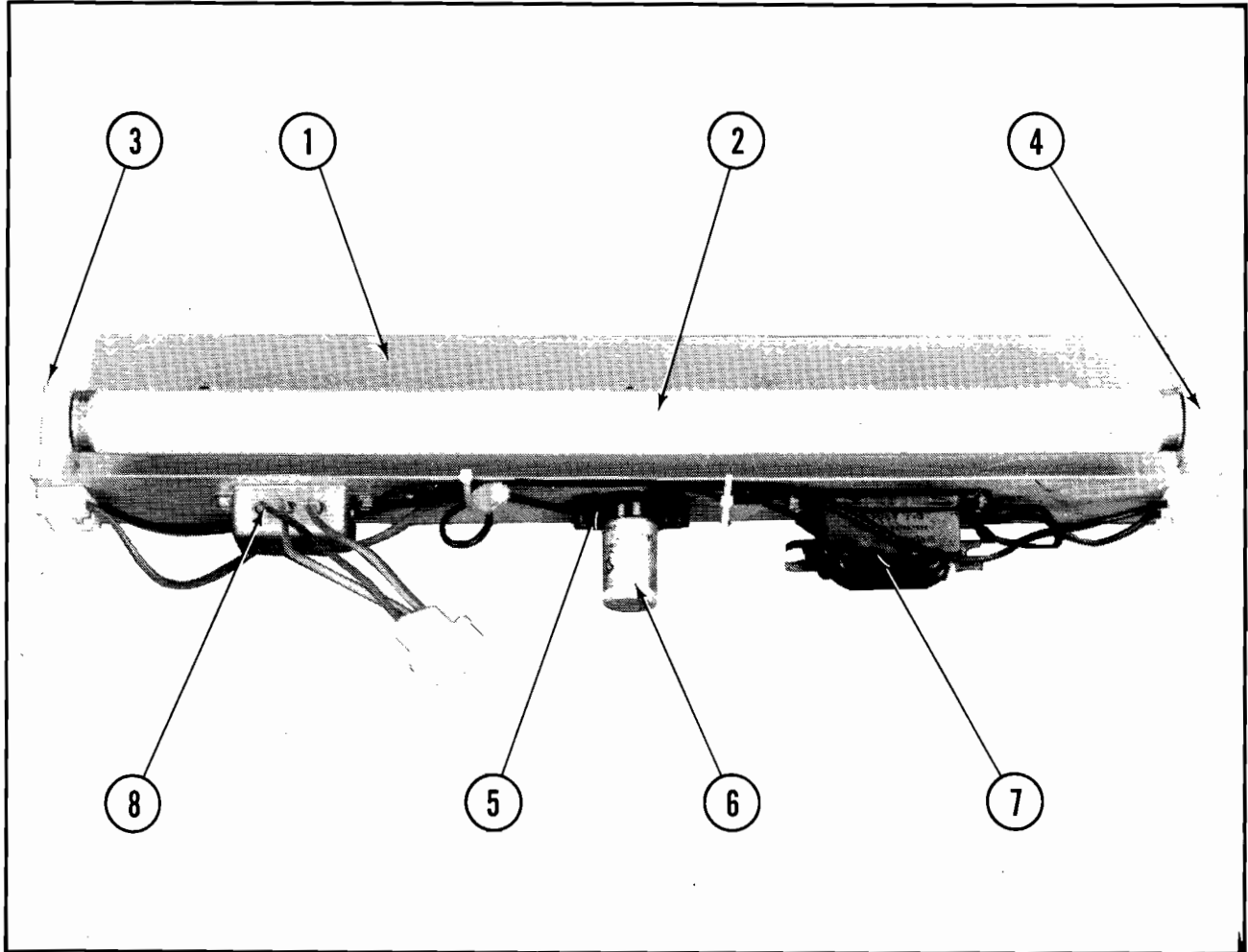
NO. 573 - PROFESSOR PAC-MAN - UPRIGHT - REAR ACCESS - PARTS LIST

ITEM	PART NO.	DESCRIPTION
1	A945-00038-0000	ON-OFF SWITCH & PLATE ASSY.
2	0894-00916-0000	PLASTIC PULL & VENT (2 REQ'D.)
	0017-00101-0141	#8 x 11/16 UNSLOT. HEX HD. M.S. (8 REQ'D.)
3	0017-00003-0339	ELECTROHOME - 19" COLOR DUAL SYNC. HORIZ. MTG. MONITOR (OR)
3	0017-00003-0339	WELLS-GARDNER - 19" COLOR DUAL SYNC. HORIZ. MTG. MONITOR (OR)
3	0017-00003-0454	ZENITH - 19" COLOR DUAL SYNC. HORIZ. MTG. MONITOR
4	0636-00101-0000	MONITOR RAIL (2 REQ'D.)
	0555-00901-0000	PLASTIC LOCATING PIN (4 REQ'D.)
	0017-00102-0006	1/4-20 x 3/4 SQR. NECK BOLT (4 REQ'D.)
	0017-00104-0014	7/8" DISH WASHER (4 REQ'D.)
	0017-00103-0018	1/4-20 HEX NUT (4 REQ'D.)
	0017-00101-0141	#8 x 11/16 UNSLOT. HEX HD. M.S. (8 REQ'D.)
5	A088-00016-0000	INTERLOCK SWITCH & SPRING BRKT. ASSY.
	0303-00904-0000	INTERLOCK SWITCH COVER
	0017-00101-0141	#8 x 11/16 UNSLOT. HEX HD. M.S. (2 REQ'D.)
6	A084-90412-D000	POWER SUPPLY P.C. BOARD ASSY.
	0624-00902-0100	P.C. SUPPORT BRKT. - 12" LG. (2 REQ'D.)
	0624-00902-0500	P.C. SUPPORT BRKT. - 6 1/2" LG. (2 REQ'D.)
	0317-00102-0000	P.C. MTG. BRKT. BRACE (4 REQ'D.)
	0017-00101-0141	#8 x 11/16 UNSLOT. HEX HD. M.S. (10 REQ'D.)
	0017-00104-0037	#8 FLAT WASHER (10 REQ'D.)
7	A945-00020-0000	POWER CHASSIS ASSY. - 125VA., 115V.
8	A573-00004-0000	CARD RACK W/BOARDS ASSY.
	A084-91465-A000	CPU P.C. BRD. ASSY.
	A084-91466-A000	SCREEN RAM P.C. BRD. ASSY.
	A084-91467-B573	GAME MEMORY P.C.B. ASSY.
	A084-91469-B573	GAME P.C. BOARD ASSY.
	A084-91486-A573	640K EPROM BOARD ASSY.
	A084-91488-A000	PATTERN P.C. BOARD ASSY.
9	A573-00023-0000	CARD RACK W/BACK PANEL ASSY.
	A084-91455-A000	BACK PANEL P.C. BRD. ASSY.
	A573-00022-0000	CHASSIS & GUIDE ASSY.
	0573-00101-0000	CHASSIS BASE
	0573-00100-0000	CHASSIS COVER
	0573-00900-0000	BARRIER
	0017-00101-0096	#6 x 3/8 SLT. HEX HD. SCR. (4 REQ'D.)
	0017-00101-0099	#6 x 1/2 SLT. HEX HD. SCR. (6 REQ'D.)
10	A084-91487-A573	AUDIO AMP P.C. BOARD ASSY.
	A573-00025-0000	BRKT. & SWITCH ASSY.
	0017-00042-0290	P.C.B. 1/2" SUPPORT (4 REQ'D.)
	0017-00101-0323	#6-32 x 1/4 SLT. PAN HD. M.S. (4 REQ'D.)
	0017-00103-0060	#6-32 HEX NUT (4 REQ'D.)
11	A775-00013-000	FAN ASSY.
	A362-00015-0000	FAN CABLE ASSY.
	0017-00003-0222	4" MUFFIN FAN
	0775-00110-00XF	FAN PLATE
	0749-00106-00XF	FAN SCREEN
	0017-00104-0009	#6 EXT. WASHER (4 REQ'D.)
	0017-00103-0005	#6-32 HEX NUT (4 REQ'D.)
	0017-00101-0138	#8 x 5/8 TORX TAMPER RESISTANT SCREW (4 REQ'D.)

NO. 573 - PROFESSOR PAC-MAN - UPRIGHT - REAR ACCESS - PARTS LIST (CONT'D.)

ITEM	PART NO.	DESCRIPTION
12	A961-00007-0000 0961-00109-0000 0017-00042-0255 0894-00702-00XF 0017-00100-0037	CASTER ASSY. (2 REQ'D.) WHEEL BRKT. (2 REQ'D.) PLASTIC WHEEL (2 REQ'D.) SHAFT (2 REQ'D.) 3/8" E-RING (2 REQ'D.)
13	A945-00019-0000 A950-00004-0000 A151-00101-0000 0950-00105-0000 0950-00104-0000 0950-00101-0000 0950-00900-0000 0950-00103-0000 0017-00101-0142 0017-00104-0014 0017-00103-0018 A097-00009-0000 0017-00009-0490 A573-00008-0000 A573-00010-0000 A941-00008-0000	LINE CORD ASSY. ADDITIONAL PARTS LIST COIN BOX ASSY. COIN BOX CRADLE ASSY. COIN BOX COVER COIN BOX HANDLE COIN DEFLECTOR (2 REQ'D.) LARGE PLASTIC CASH BOX COIN BOX DIVIDER - OPTIONAL 1/4-20 x 1-3/8 BLACK RND. HD. BOLT (4 REQ'D.) 7/8" DISH WASHER (4 REQ'D.) 1/4-20 HEX NUT (4 REQ'D.) BACK DOOR LOCK ASSY. 5 5/8" SQR. VENT GRILL - BACK DOOR (4 REQ'D.) MASTER CABLE W/BRKT. ASSY. HIGH VOLTAGE CABLE ASSY. LOW VOLTAGE CABLE ASSY.

NO. 573 - PROFESSOR PAC-MAN - UPRIGHT - HEADER FLUORESCENT LIGHT ASSY.

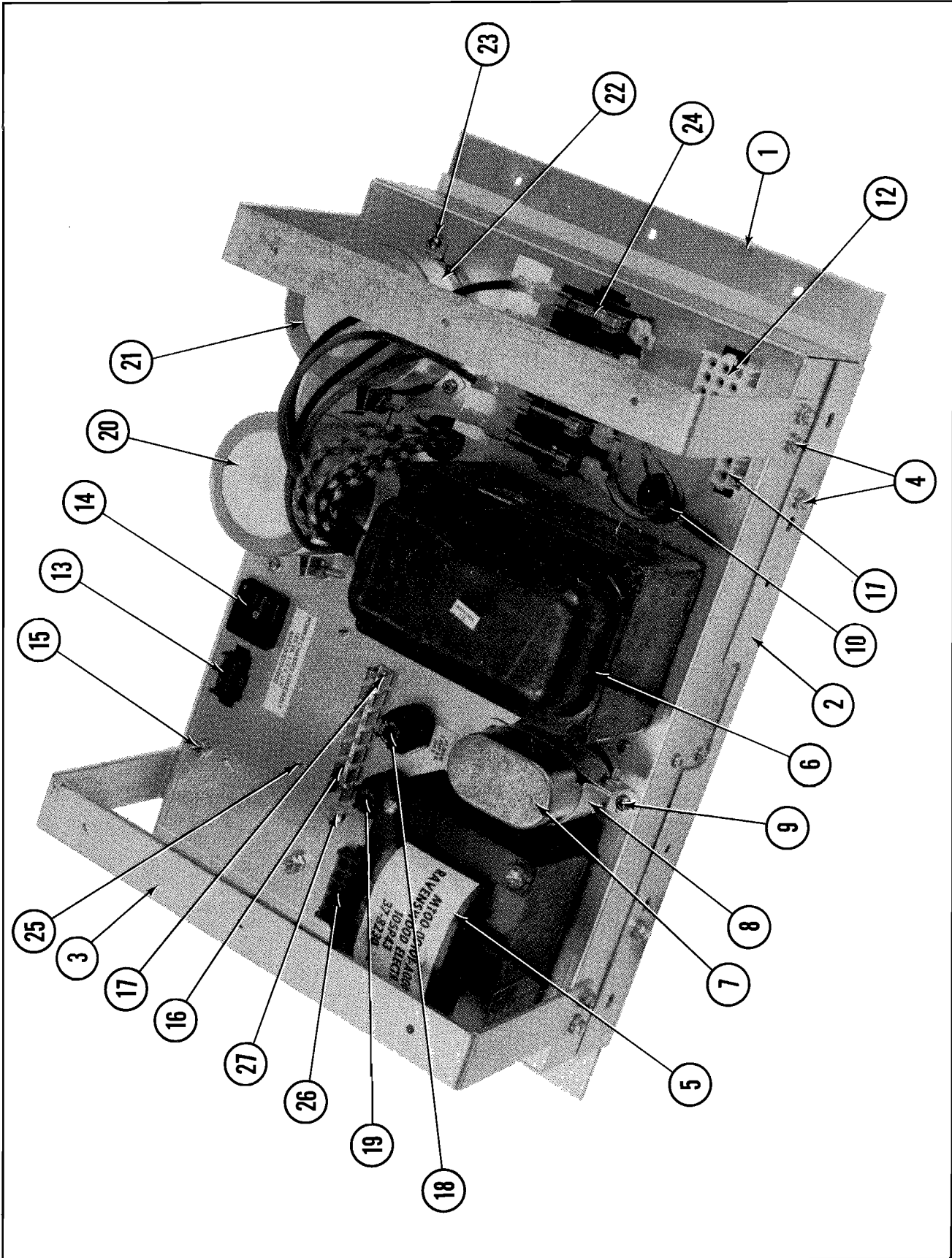


NO. 573 - PROFESSOR PAC-MAN - UPRIGHT - HEADER FLUORESCENT LIGHT ASSY. - PARTS LIST

ORDER BY PART NUMBER ONLY

ITEM	PART NO.	DESCRIPTION
1	0595-00105-0000	FLUORESCENT BRKT.
2	0017-00003-0043	18" COOL WHITE FLUORESCENT LAMP
3	0017-00003-0445	LAMP LOCKS (2 REQ'D.)
4	0017-00031-0036	FLUORESCENT SOCKET (2 REQ'D.)
5	0017-00003-0412	FLUORESCENT STARTER HOLDER W/LEADS
	0017-00101-0573	#6-32 x 1/2 PHIL. RND. HD. M.S. (4 REQ'D.)
	0017-00104-0009	#6 EXT. WASHER (4 REQ'D.)
6	0017-00003-0019	FLUORESCENT STARTER
7	0017-00003-0026	BALLAST
	0017-00101-0598	#8-32 x 5/16 SLT. HEX HD. SCR. (4 REQ'D.)
8	A961-00042-0000	LINE FILTER ASSY.

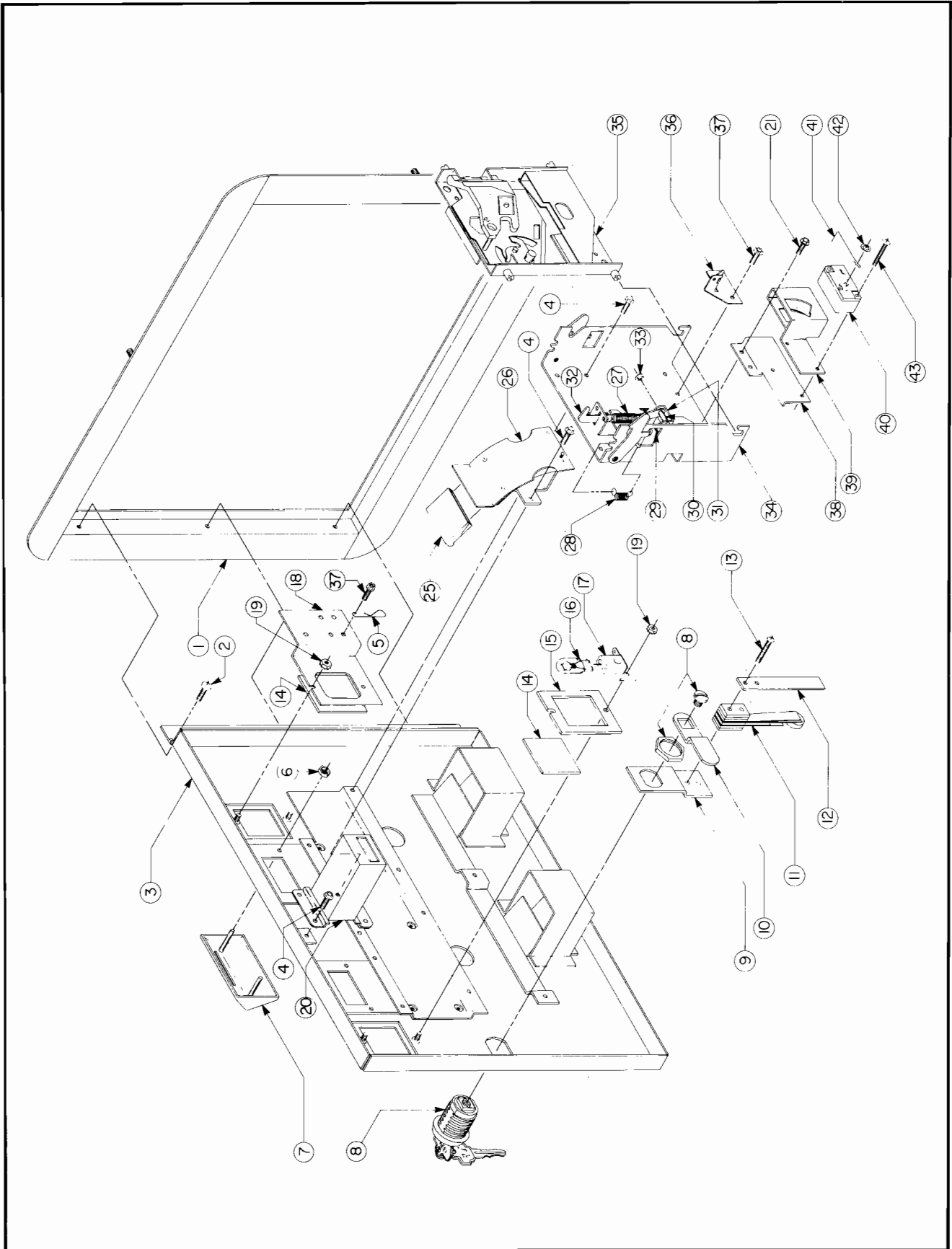
PROFESSOR PAC-MAN - POWER CHASSIS ASSY. - 125VA., 115V.



PROFESSOR PAC-MAN - POWER CHASSIS ASSY. - 125VA., 115V. - PARTS LIST

ITEM	PART NO.	DESCRIPTION
1	A945-00046-00XF	CHASSIS & PARTITION ASSY.
2	A945-00029-0100	MTG. PLATE & BARRIER ASSY.
3	0945-00107-01XF	STRAP (2 REQ'D.)
4	0017-00101-0123	#8 x ¼ UNSLOT. HEX HD. SCR. (12 REQ'D.)
5	MT00-00101-B000	ISOLATION TRANSFORMER W/O SHIELD ASSY. - 115 V., 50/60 HZ.
	0017-00103-0061	#8 HEX NUT W/SEMS (4 REQ'D.)
6	MT00-00099-A000	POWER TRANSFORMER ASSY. - 115 V., 60 HZ.
	0017-00103-0084	#6-32 HEX NUT W/SEMS (4 REQ'D.)
7	0175-181T4-GXJK	CAPACITOR - 3.5 M.F., 440V.
8	0017-00009-0535	CLAMP
	0017-00101-0565	#6-32 x 7/16 SLT. PAN HD. SCR.
	0017-00103-0084	#6-32 HEX NUT W/SEMS
9	0017-00101-0067	#6 x ⅝ PHIL. HD. SCR. (11 REQ'D.)
10	0945-00902-0000	SNAP BUSHING (3 REQ'D.)
11	0017-00021-0297	2 POSITION CONNECTOR
12	A945-00030-0100	CONNECTOR & CABLE ASSY. #1
13	A945-00030-0200	CONNECTOR & CABLE ASSY. #2
14	A945-00021-0000	CONVENIENCE OUTLET ASSY.
15	0017-00101-0573	#6-32 x ½ PHIL. RND. HD. SCR. (2 REQ'D.)
	0017-00103-0084	#6-32 HEX NUT W/SEMS (2 REQ'D.)
	A945-00025-0000	FILTER ASSEMBLY - 125V. - UNDER CHASSIS (NOT SEEN)
16	0017-00021-0510	TERMINAL STRIP
17	0017-00101-0140	#4-40 x 5/16 PHIL. PAN HD. SCR. (2 REQ'D.)
18	0017-00003-0263	SLO-BLO FUSE - 4A., 250V.
19	0017-00003-0005	FUSE - 2A., 250V.
	0017-00003-0444	QUICK CONN. FUSEHOLDER (2 REQ'D.) - FOR ABOVE FUSES
20	0945-00816-1902	CAPACITOR - 100,000 M.F.
21	0945-00816-1901	CAPACITOR - 55,000 M.F.
	0017-00104-0107	#10 FLAT WASHER (4 REQ'D.)
	0017-00103-0081	#10-32 HEX NUT W/SEMS (4 REQ'D.)
22	0017-00009-0422	CLAMP (2 REQ'D.)
	0017-00101-0758	#8-32 x ¾ PHIL. HD. SCREW (2 REQ'D.)
	0017-00103-0061	#8-32 HEX NUT W/SEMS (2 REQ'D.)
23	0017-00101-0067	#6 x ⅝ PHIL. PAN HD. SCR. (6 REQ'D.)
24	0945-00904-0000	5 POSITION FUSE HOLDER
	0017-00003-0263	SLO-BLO FUSE - 4A., 250V. (3 REQ'D.)
	0017-00003-0321	SLO-BLO FUSE - 5A., 250V. (2 REQ'D.)
	0945-00903-0000	FUSE HOLDER BARRIER
	A945-00022-0000	HEATSINK & DIODE ASSY.
	0017-00101-0067	#6 x ⅝ PHIL. PAN HD. SCR. (2 REQ'D.)
25	0017-00101-0780	#6 x ½ PHIL. PAN HD. SCREW (2 REQ'D.)
	0017-00021-0629	5 POSITION TERMINAL STRIP - (UNDER CHASSIS)
	A945-00019-0000	LINE CORD ASSY. - 115V. (NOT SHOWN)
26	A945-00030-0500	CONNECTOR & CABLE ASSY.
27	0017-00101-0660	#10-32 x ¾ PAN HD. SCREW
	0017-00104-0107	#10 FLAT WASHER
	0017-00103-0081	#10-32 HEX NUT W/SEMS
	A945-00033-0000	MAGNETIC SHEILD & LABEL ASSY. (NOT SHOWN)

PROFESSOR PAC-MAN - FRONT DOOR ASSEMBLY - U.S.A. 25¢



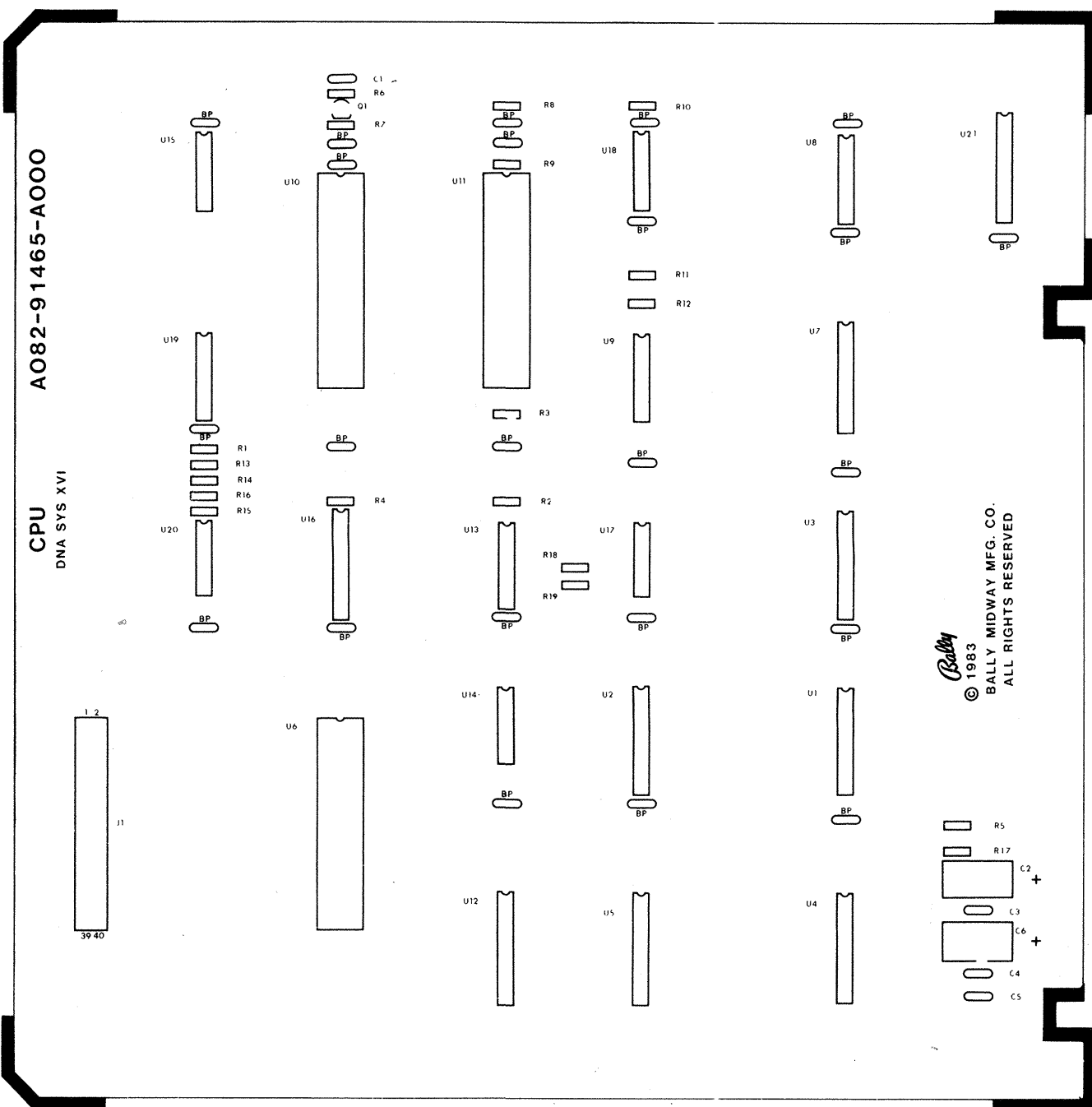
PROFESSOR PAC-MAN - FRONT DOOR ASSEMBLY - U.S.A 25¢ - PARTS LIST

ITEM	PART NO.	DESCRIPTION
1	0090-00002-04BK	DOUBLE ENTRY COIN DOOR FRAME
2	0017-00101-0121	#6-32 x 5/16 PHIL. TRS. HD. SCR. (3 REQ'D.)
3	A090-00073-02BK	DOUBLE ENTRY COIN DOOR W/DRESS PLATE
4	0017-00101-0123	#8 x 1/4 UNSLOT. HEX. HD. SCREW (12 REQ'D.)
5	0017-00007-0019	KEY HOOK
6	0017-00103-0059	PUSH NUT (4 REQ'D.)
7	0090-00912-0000	COIN ENTRY PLATE — 25¢ (2 REQ'D.)
8	A097-00005-0000	DOOR LOCK & KEY W/SCREW & NUT (OR)
8	A097-00006-0000	DOOR LOCK & KEY W/SCREW & NUT
9	0090-00185-00XF	DOOR TILT SWITCH BRKT.
10	0017-00005-0225	DOOR CAM
11	A090-00095-0000	DOOR TILT SWITCH
12	0090-00126-03XF	SWITCH BACK-UP PLATE
13	0017-00101-0155	#4-40 x 9/16 PHIL. PAN. HD. M.S. (2 REQ'D.)
	A090-00096-0000	DOOR TILT SWITCH & BRKT. ASSY. (ITEMS 9 & 11 THRU 13)
14	0090-00903-9500	25¢ WINDOW (2 REQ'D.)
15	0090-00143-0000	COIN PLEX RETAINER
16	0017-00003-0219	12 VOLT LAMP — G.E. #194 (2 REQ'D.)
17	0017-00031-0048	WEDGE SOCKET W/BRKT. (2 REQ'D.)
18	A090-00100-0000	BRKT. ASSY.
19	0017-00103-0084	#6-32 HEX NUT W/SEMS (4 REQ'D.)
20	A090-00089-0000	COIN METER W/DIODE
21	0017-00101-0124	#6 x 1/4 UNSLOT. HEX HD. SCR. (4 REQ'D.)
25	0090-00911-0000	INSULATOR (2 REQ'D.)
26	A090-00112-0000	COIN CHUTE & TOP ASSY. (2 REQ'D.)
27	0010-00134-0000	SPRING
28	0010-00181-0000	SPRING
29	0017-00007-0083	1/8 x 1-5/8 ROLL PIN
30	0090-00129-00XF	PIVOT POST
31	0090-00167-00XF	PIVOT LEVER
32	0090-00182-00XF	REJECT LEVER
33	0017-00100-0018	E-RING
	A090-00088-0000	REJECT LEVER ASSY. (2 REQ'D.) (ITEMS 30 THRU 33)
34	A090-00105-0000	COIN ACCEPTOR FRAME ASSY. (2 REQ'D.)
35	0017-00005-0003	COIN ACCEPTOR W/STRING CUTTER (2 REQ'D.) (OR)
35	0017-00005-0211	COIN ACCEPTOR W/ANTI-STRING DEVICE (2 REQ'D.) (OR)
35	0017-00005-0214	COIN ACCEPTOR W/STRING CUTTER (2 REQ'D.)
36	A090-00064-0000	ANTI-PENNY DEVICE
37	0017-00101-0099	#6 x 1/4 SLT. HEX HD. M.S. (2 REQ'D.)
38	0090-00162-00XF	COIN SWITCH MTG. BRKT.
39	0017-00005-0203	COIN SWITCH CHUTE
40	0017-00005-0195	COIN SWITCH
41	0010-00599-0000	COIN SWITCH WIRE
42	0017-00007-0015	PUSH-ON RING
	A090-00059-0400	COIN SWITCH & WIRE ASSY. (ITEMS 40 THRU 42)
43	0017-00101-0147	#4-40 x 3/4 PHIL. PAN. HD. M.S. (2 REQ'D.)
	A090-00077-0000	COIN GUIDE & SWITCH ASSY. (ITEMS 38 THRU 43)
	0090-00184-0000	COIN SWITCH COVER (NOT SHOWN)

DESIGNATION LIST

DESIGNATION NO.	DESCRIPTION
BP	0.1 MFD +80-20% AX. CER.
C1	0.1 MFD +80-20% AX. CER.
C2	15 MFD 20% TANT.
C3-C5	0.1 MFD +80-20% AX. CER.
C6	15 MFD 20% TANT.
R1	2200 OHM 1/4W 5%
R2-R4	1000 OHM 1/4W 5%
R5	10K OHM 1/4W 5%
R6	20K OHM 1/4W 5%
R7	100K OHM 1/4W 5%
R8-R9	75 OHM 1/4W 5%
R10	36 OHM 1/4W 5%
R11-R12	75 OHM 1/4W 5%
R13-R14	11K OHM 1/4W 5%
R15	4300 OHM 1/4W 5%
R16	47K OHM 1/4W 5%
R17	1000 OHM 1/4W 5%
R18-R19	47 OHM 1/4W 5%
Q1	2N6427
U1-U2	74LS244
U3	74LS245
U4-U5	74LS244
U6	Z-80
U7	74LS245
U8-U9	74LS257
U10	CUSTOM ADDRESS
U11	CUSTOM DATA
U12	CUSTOM U12
U13	74LS174
U14	74LS30
U15	MC14024BCP
U16	CUSTOM U16
U17	74S74
U18	74F02
U19	MC14574
U20	74S74
U21	74LS374

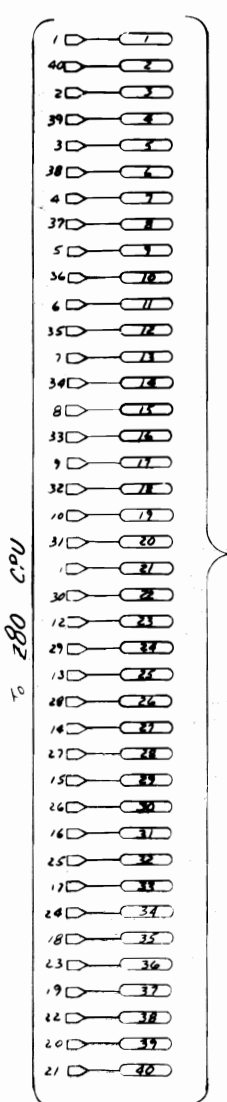
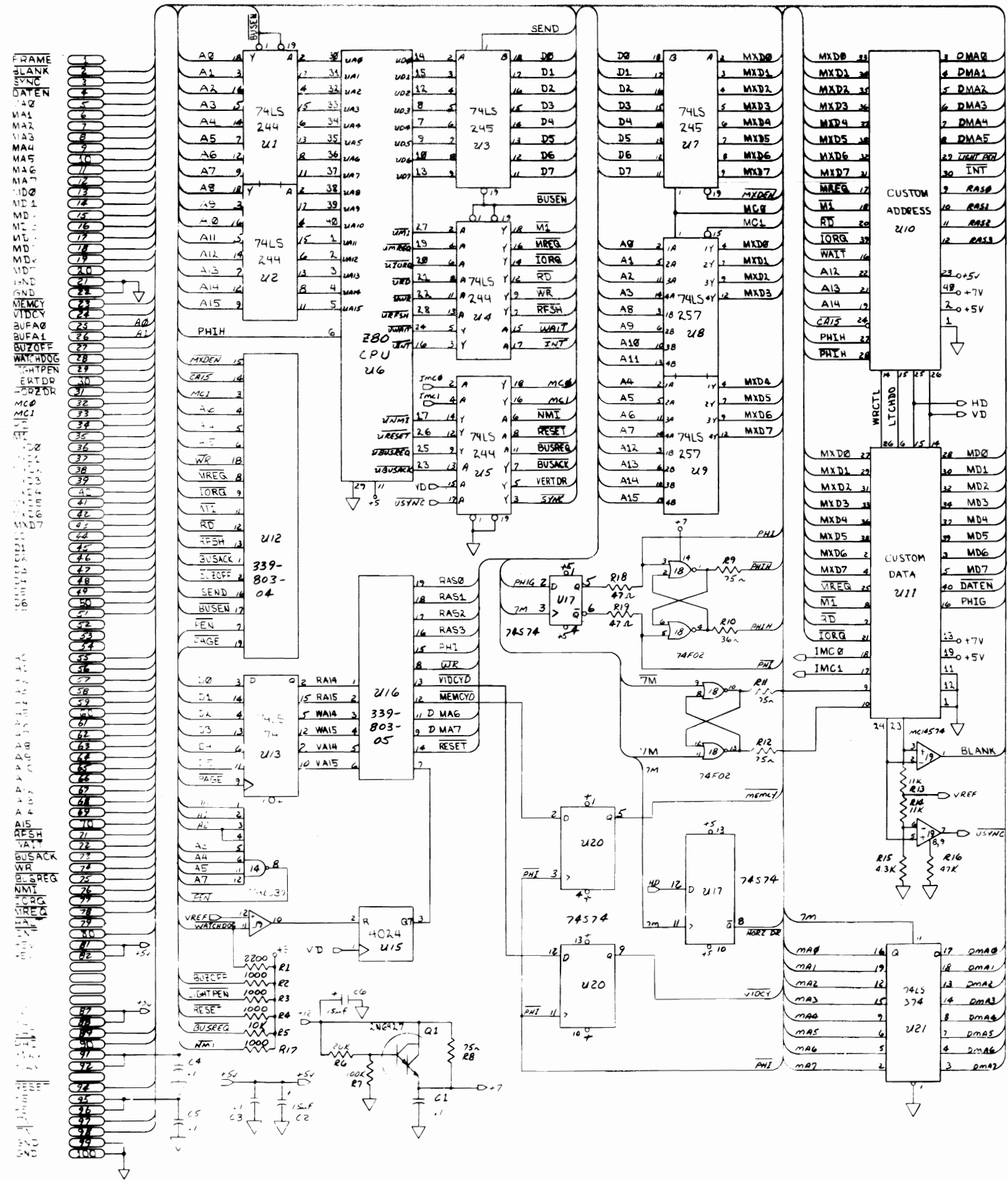
NON-REFERENCED
20-PIN IC SOCKET
40-PIN IC SOCKET
CARD EJECTORS
PC BOARD



CROSS REFERENCE LIST

DESCRIPTION	QTY	DESIGNATION NO.	PART NOS.
0.1 MFD	27		0339-00800-0001
15 MFD	2	C2, C6	0339-00800-0002
36 OHM	1	R10	0062-077B3-1XXX
47 OHM	2	R18, R19	0062-086B3-1XXX
75 OHM	4	R8, R9, R11, R12	0062-101B3-1XXX
1000 OHM	4	R2-R4	0062-179B3-1XXX
2200 OHM	1	R1	0062-195B3-1XXX
4300 OHM	1	R15	0062-209B3-1XXX
10K OHM	1	R5	0062-227B3-1XXX
11K OHM	2	R13, R14	0062-229B3-1XXX
20K OHM	1	R6	0062-241B3-1XXX
47K OHM	1	R16	0062-259B3-1XXX
100K OHM	1	R7	0062-275B3-1XXX
2N6427	1	Q1	0339-00802-0001
74LS30	1	U14	0339-00803-0006
74S74	2	U17, U20	0339-00803-0026
74LS174	1	U13	0339-00803-0007
74LS244	4	U1, U2, U4, U5	0339-00803-0008
74LS245	2	U3, U7	0339-00803-0009
74LS257	2	U8, U9	0339-00803-0010
74F02	1	U18	0339-00803-0011
74LS374	1	U21	0339-00803-0012
MC14024B	1	U15	0339-00803-0013
MC14574	1	U19	0339-00803-0014
Z-80	1	U6	0339-00803-0001
CUSTOM ADDRESS	1	U10	0339-00803-0002
CUSTOM DATA	1	U11	0339-00803-0003
CUSTOM U12	1	U12	0339-00803-0004
CUSTOM U16	1	U16	0339-00803-0005
20-PIN IC SOCKET	9		0339-00804-0005
40-PIN IC SOCKET	3		0339-00804-0009
CARD EJECTORS	2		0339-00804-0010
0.025" GOLD PINS	40		0017-00033-0493
P.C BOARD, BLANK	1		A080-91465-A000

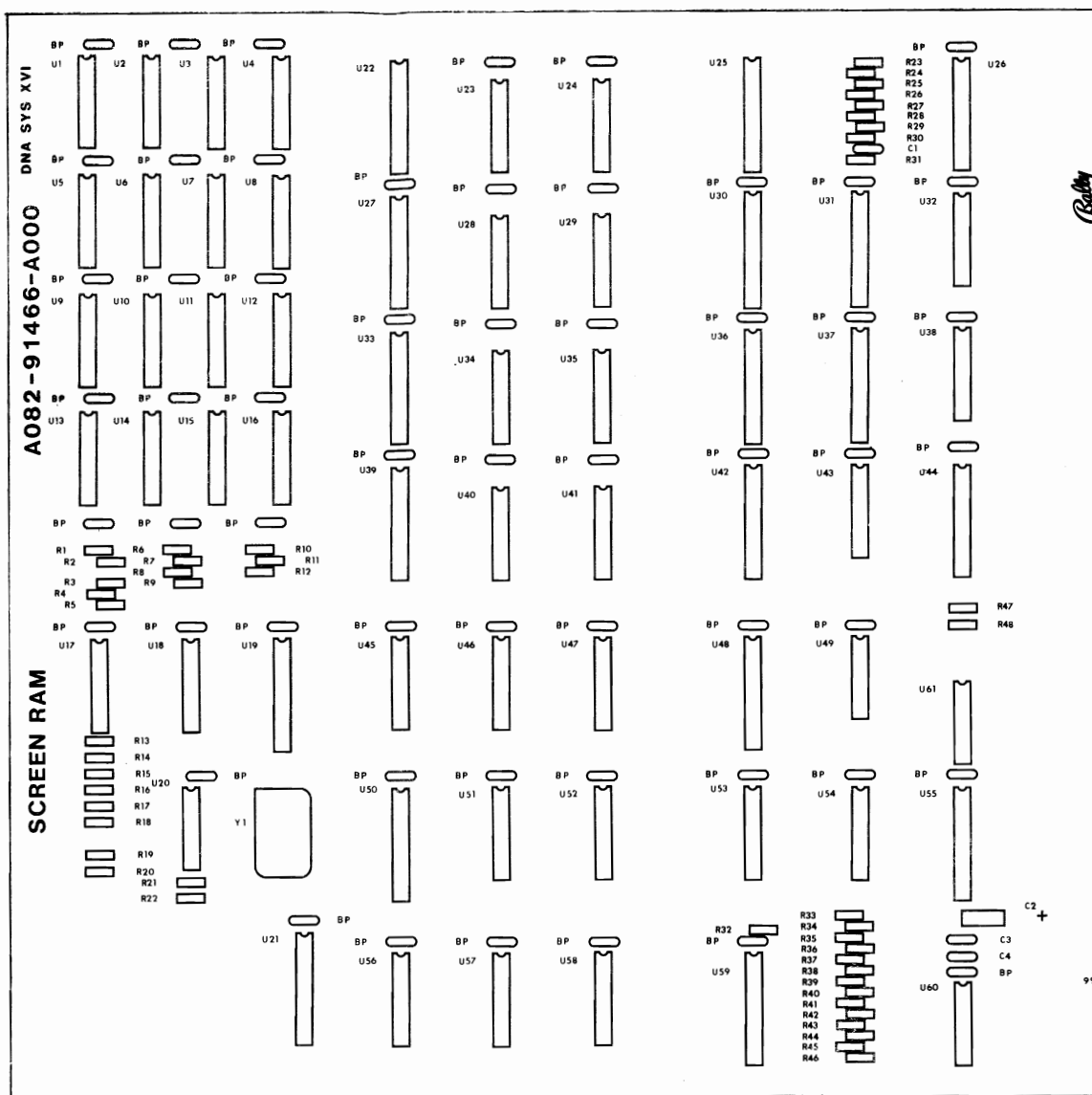
PROJECT ENG. DAVE OTTO		USED ON PROF. PACMAN		REVISIONS	
DO NOT SCALE DWG	HEAT TREAT	SCALE FULL	NO. REQ'D PER	Bally / MIDWAY MFG. CO.	
DIM TOLERANCES UNLESS SPECIFIED	DRAWN PK	FINISH	ASSY. DWG. CPU		PART NO
DATE 7/5/83	A082-91465-A000		M051 - 00339 - A001		



PROJECT ENG	DATE	7/15/83
DESIGNED BY	DATE	
CHECKED BY	DATE	
USED ON	SYS. XVI	
NO. REEDED	PER	
MIDWAY MFG. CO.		
16 COLOR CPU CARD		
SCHEMATIC DWG		
A082 - 91465 - A000		
M 051 - 00339 - A002		
REV. NO.		

DESIGNATION LIST

DESIGNATION NO.	DESCRIPTION	DESIGNATION NO.	DESCRIPTION
BP	0.1 MFD +80-20% AX. CER.	U1-U16	MID2600
C1	100 PFD 5% AX. CER.	U17	74S175
C2	15 MFD 20% TANT.	U18	74S161
C3	0.1 MFD +80-20% AX. CER.	U19	CUSTOM U19
C4	0.1 MFD +80-20% AX. CER.	U20	74S86
R1	75 OHM 1/4W 5%	U21	74S374
R2	75 OHM 1/4W 5%	U22	CUSTOM U22
R3	100 OHM 1/4W 5%	U23	74LS670
R4	100 OHM 1/4W 5%	U24	74LS166
R5	100 OHM 1/4W 5%	U25	74LS374
R6	75 OHM 1/4W 5%	U26	74S374
R7	51 OHM 1/4W 5%	U27	CUSTOM U27
R8	51 OHM 1/4W 5%	U28	74LS670
R9	51 OHM 1/4W 5%	U29	74LS166
R10	75 OHM 1/4W 5%	U30	74LS374
R11	51 OHM 1/4W 5%	U31	74LS374
R12	100 OHM 1/4W 5%	U32	74LS157
R13	51 OHM 1/4W 5%	U33	CUSTOM U33
R14	51 OHM 1/4W 5%	U34	74LS670
R15	51 OHM 1/4W 5%	U35	74LS166
R16	51 OHM 1/4W 5%	U36	74LS374
R17	51 OHM 1/4W 5%	U37	74LS374
R18-R30	100 OHM 1/4W 5%	U38	74LS157
R31	6200 OHM 1/4W 5%	U39	CUSTOM U39
R32	750 OHM 1/4W 1%	U40	74LS670
R33	1500 OHM 1/4W 2%	U41	74LS166
R34	1500 OHM 1/4W 2%	U42	74LS374
R35	1500 OHM 1/4W 2%	U43	74LS109
R36	1500 OHM 1/4W 2%	U44	74LS244
R37	6200 OHM 1/4W 5%	U45	74F112
R38	750 OHM 1/4W 1%	U46	74LS174
R39	750 OHM 1/4W 1%	U47	74LS157
R40	3000 OHM 1/4W 5%	U48	74LS244
R41	1500 OHM 1/4W 2%	U49	74LS125
R42	1500 OHM 1/4W 2%	U50	74LS374
R43	3000 OHM 1/4W 5%	U51	74S158
R44	3000 OHM 1/4W 5%	U52	74LS174
R45	6200 OHM 1/4W 5%	U53	74LS157
R46	1500 OHM 1/4W 2%	U54	74LS109
R47	510 OHM 1/4W 5%	U55	CUSTOM U55
R48	510 OHM 1/4W 5%	U56	74LS189
		U57	74LS189
		U58	74S374
		U59	74LS260
		U60	74LS02
		U61	74LS02
		Y1	28.636360 MHZ
			NON-REFERENCED
			16-PIN IC SOCKET
			20-PIN IC SOCKET
			CARD EJECTORS
			PC BOARD

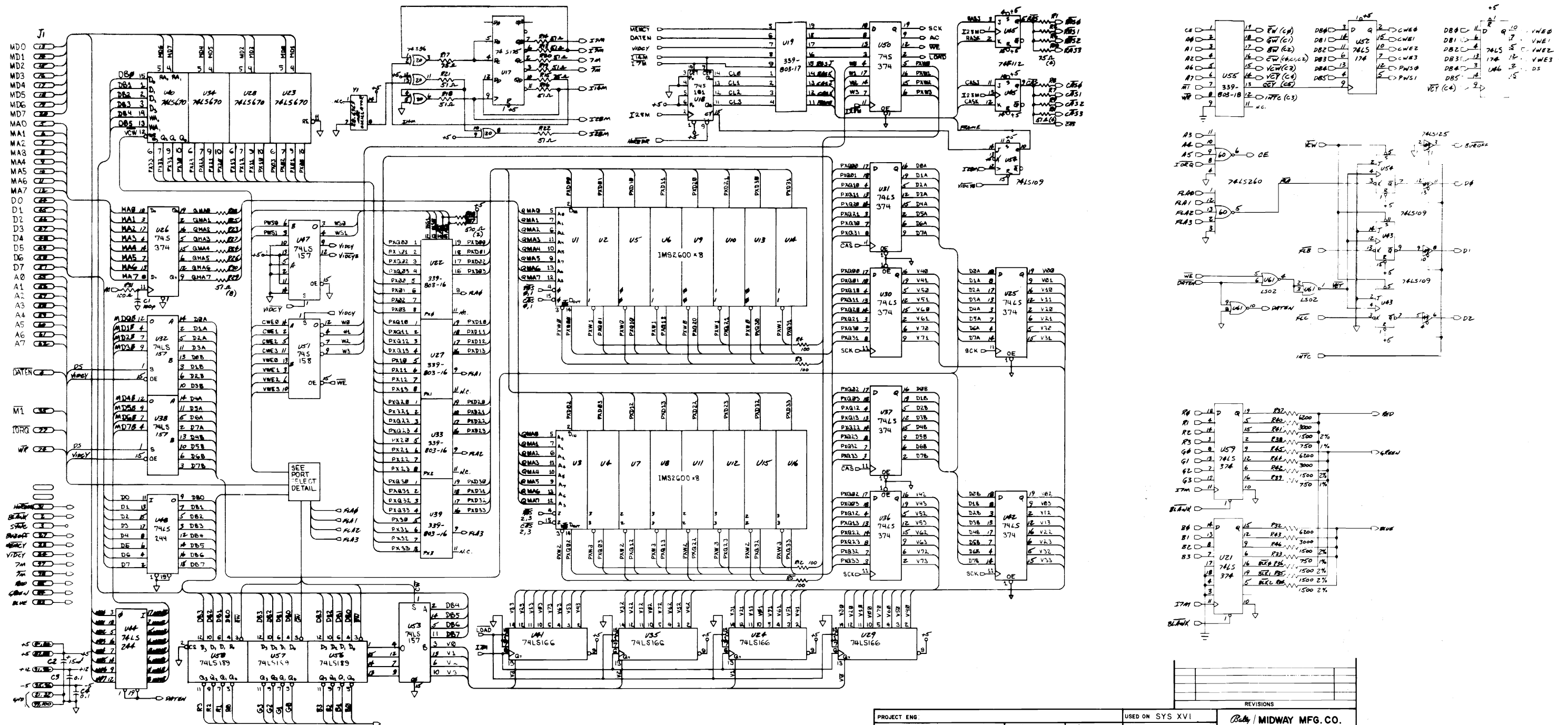


CROSS REFERENCE LIST

DESCRIPTION	QTY	DESIGNATION NO.	PART NOS.
100 PFD	1	C1	0339-00800-0004
0.1 MFD	59		0339-00800-0001
15 MFD	1	C2	0339-00800-0002
51 OHM	20	R7-R9, R11, R13, R14, R16, R18-R30	0062-089B3-1XXX
75 OHM	6	R1, R2, R6, R10, R15, R17	0062-101B3-1XXX
100 OHM	5	R3-R5, R12, R31	0062-110B3-1XXX
510 OHM	2	R47, R48	0062-159B3-1XXX
750 OHM	3	R33, R38, R39	0062-171B1-3XXX
1500 OHM	6	R34-R36, R41, R42, R46	0062-187B2-1XXX
3000 OHM	3	R40, R43, R44	0062-201B3-1XXX
6200 OHM	3	R32, R37, R45	0062-217B3-1XXX
74LS02	1	U61	0339-00803-0090
74LS109	2	U43, U54	0339-00803-0019
74LS125	1	U49	0339-00803-0020
74LS157	4	U32, U38, U47, U53	0339-00803-0021
74LS166	4	U24, U29, U35, U41	0339-00803-0022
74LS174	2	U46, U52	0339-00803-0023
74LS189	3	U56-U58	0339-00803-0024
74LS244	2	U44, U48	0339-00803-0025
74LS260	1	U60	0339-00803-0027
74LS374	6	U25, U30, U31, U36, U37, U42	0339-00803-0028
74LS670	4	U23, U28, U34, U40	0339-00803-0029
74S86	1	U20	0339-00803-0030
74S158	1	U51	0339-00803-0032
74S161	1	U18	0339-00803-0033
74S175	1	U17	0339-00803-0034
74S374	4	U21, U26, U50	0339-00803-0035
74F112	1	U45	0339-00803-0091
CUSTOM U22-27-33-39	4	U22, U27, U33, U39	0339-00803-0016
CUSTOM U19	1	U19	0339-00803-0017
CUSTOM U55	1	U55	0339-00803-0018
MID2600	16	U1-U16	0339-00803-0015
16-PIN IC SOCKET	16		0339-00804-0003
20-PIN IC SOCKET	18		0339-00804-0005
CARD EJECTORS	2		0339-00804-0010
28.636360 MHZ	1	Y1	0339-00804-0012
P.C. BOARD, BLANK	1		A080-91466-A000

REVISIONS	

PROJECT ENG: D. OTTO		USED ON PROF. PAC-MAN		Bally / MIDWAY MFG. CO.	
DO NOT SCALE DWG		HEAT TREAT	SCALE FULL	NO. REQ'D PER	
DIM TOLERANCES UNLESS SPECIFIED		MAT'L	ASSEMBLY DWG.		PART NO
DRW: R.L.W.		FINISH	SCREEN RAM P.C. BD.		M051 - 00339 - A003
DATE 7/5/83		A082-91466-A000			



PROJECT ENG:		USED ON SYS XVI		REVISIONS	
DO NOT SCALE DWG	HEAT TREAT	NO. REQD	PER	Bally / MIDWAY MFG. CO. FRANKLIN, PA. U.S.A.	
DIM TOLERANCES UNLESS OTHERWISE SPECIFIED	DATE	SCREEN RAM		PART NO.	
DATE	7/15/83	SCHEMATIC DWG		M051-00339-A004	
DATE		A082-91466-A000			

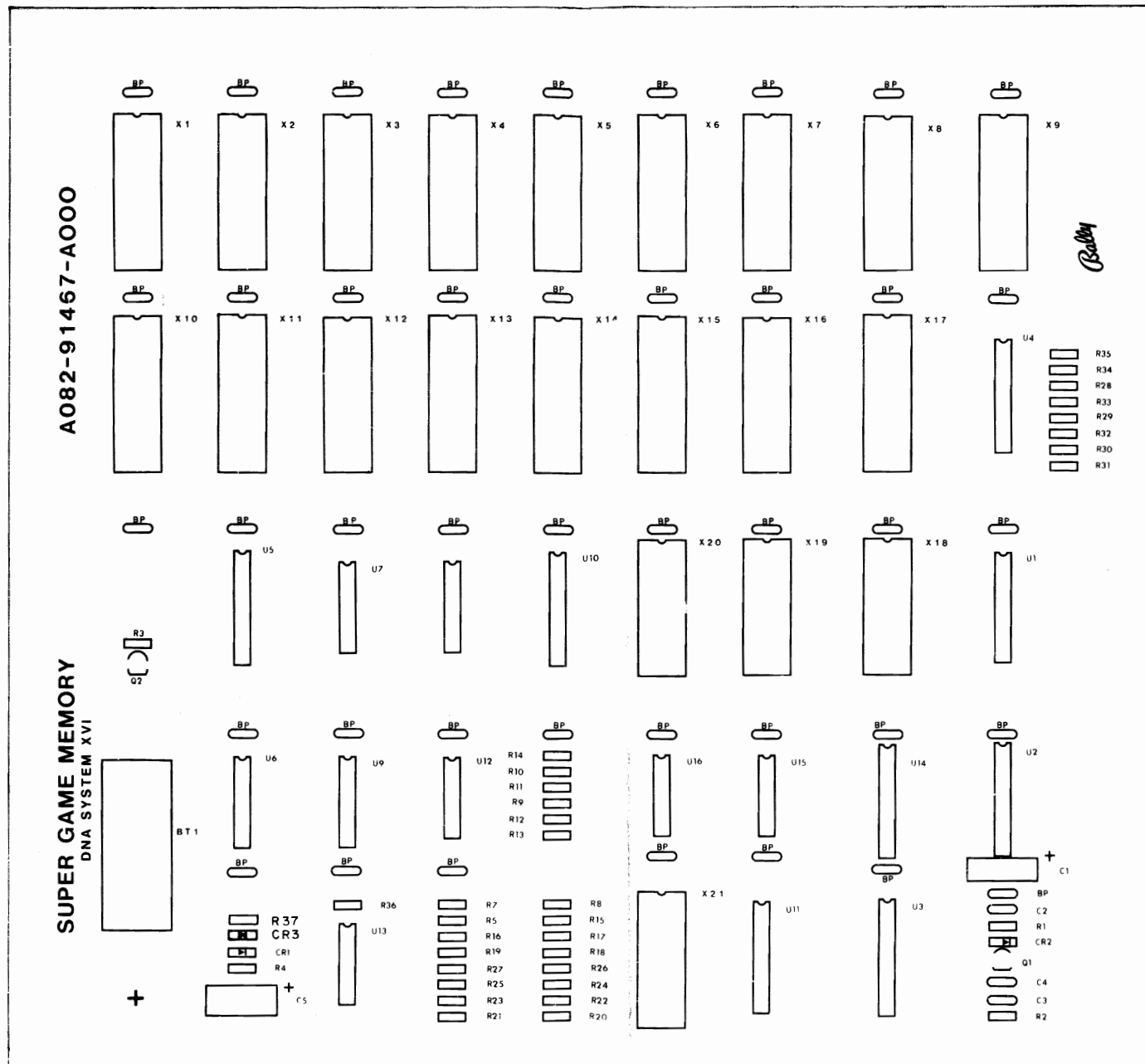
DESIGNATION LIST

DESIGNATION NO.	DESCRIPTION
BP	0.1 MFD +80-20% AX. CER.
C1	15 MFD 20% TANT.
C2	0.1 MFD +80-20% AX. CER.
C3	0.1 MFD +80-20% AX. CER.
C4	0.1 MFD +80-20% AX. CER.
C5	15 MFD 20% TANT.
C6	0.1 MFD +80-20% AX. CER.
R1	1000 OHM 1/4W 5%
R2	120 OHM 1/4W 5%
R3	2700 OHM 1/4W 5%
R4	220K OHM 1/4W 5%
R5	10K OHM 1/4W 5%
R6	470K OHM 1/4W 5%
R7-R27	10K OHM 1/4W 5%
R28-R35	110 OHM 1/4W 5%
R36	10K OHM 1/4W 5%
R37	470 OHM 1/4W 5%
BT1	3.6V NICD
CR1	1N4004
CR2	1N4004
CR3	1N4616
Q1	2N4401
Q2	2N4401
U1	74LS244
U2	74LS244
U3	74LS244
U4	74LS245
U5	CUSTOM U5
U6	74LS175
U7	74LS138
U8	74LS138
U9	74LS139
U10	CUSTOM U10
U11	CUSTOM U11
U12	74LS74
U13	7403
U14	74LS245
U15	7417
U16	7417

X1-X17 28-PIN IC SOCKET
X18-X21 24-PIN IC SOCKET

NON-REFERENCED
20-PIN IC SOCKET
CARD EJECTORS
PC BOARD

NON-REFERENCED
USED ON PROFESSOR
PAC-MAN
2763 EPROM POS X1
2763 EPROM POS X2
2763 EPROM POS X3
2763 EPROM POS X4
2763 EPROM POS X5
2763 EPROM POS X6
2763 EPROM POS X7
2763 EPROM POS X8
2763 EPROM POS X9
2K X 8 RAM POS X18
2K X 8 RAM POS X19
2K X 8 RAM POS X20
2K X 8 RAM POS X21

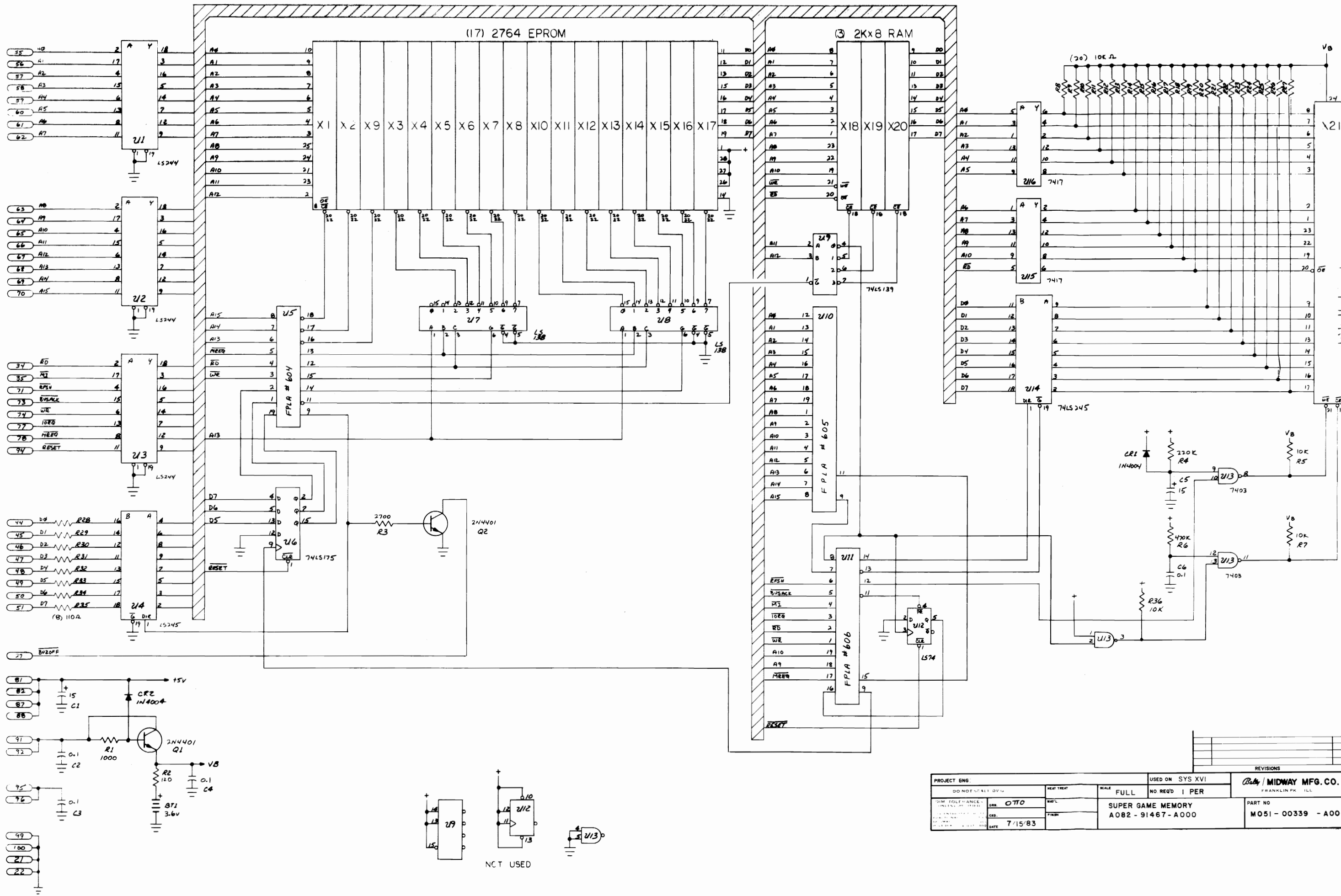


CROSS REFERENCE LIST

DESCRIPTION	QTY	DESIGNATION NO.	PART NOS.
0.1 MFD	45		0339-00800-0015
15 MFD	2	C1, C5	0339-00800-0016
3.6V	1	BT1	0339-00804-0013
110 OHM	8	R28-R35	0062-113B3-1XXX
120 OHM	1	R2	0062-116B3-1XXX
470 OHM	1	R37	0062-156B3-1XXX
1000 OHM	1	R1	0062-179B3-1XXX
2700 OHM	1	R3	0062-199B3-1XXX
10K OHM	23	R7-R27	0062-227B3-1XXX
220K OHM	1	R4	0062-291B3-1XXX
1N4004	2	CR1, CR2	0339-00801-0001
1N4616	1	CR3	0339-00801-0003
2N4401	2	Q1, Q2	0339-00802-0004
74LS74	1	U12	0339-00803-0063
74LS138	2	U7, U8	0339-00803-0036
74LS139	1	U9	0339-00803-0037
74LS175	1	U6	0339-00803-0038
74LS244	3	U1-U3	0339-00803-0039
74LS245	2	U4, U14	0339-00803-0040
7403	1	U13	0339-00803-0041
7417	2	U15, U16	0339-00803-0042
CUSTOM U5	1	U5	0339-00803-0087
CUSTOM U10	1	U10	0339-00803-0088
CUSTOM U11	1	U11	0339-00803-0089
20-PIN IC SOCKET	8		0339-00804-0005
24-PIN IC SOCKET	4	X18-X21	0339-00804-0007
28-PIN IC SOCKET	17	X1-X17	0339-00804-0008
CARD EJECTORS	2		0339-00804-0010
P.C. BOARD, BLANK	1		A080-91467-A000
DESCRIPTION	QTY	DESIGNATION NO.	PART NOS.
PROG 2763	1		5730-40AXA-AXXD
PROG 2763	1		5730-40AXA-BXXD
PROG 2763	1		5730-40AXA-CXXD
PROG 2763	1		5730-40AXA-DXXD
PROG 2763	1		5730-40AXA-EXXD
PROG 2763	1		5730-40AXA-FXXD
PROG 2763	1		5730-40AXA-GXXD
PROG 2763	1		5730-40AXA-HXXD
PROG 2763	1		5730-40AXA-JXXD
PHAN 2K X 8	4		0339-00803-0092

REVISIONS	

PROJECT ENG: D. OTTO		USED ON PROF. PACMAN		Bally / MIDWAY MFG. CO. FRANKLIN PA. U.S.A.	
DO NOT SCALE DWG		HEAT TREAT	SCALE FULL	NO REQ'D PER	
DIM TOLERANCES UNLESS SPECIFIED		DRW. BAK	ASSY. DWG. SUPER GAME MEMORY		PART NO
DATE 7/15/83		A082 91467 A000		M051 - 00339 - A005	

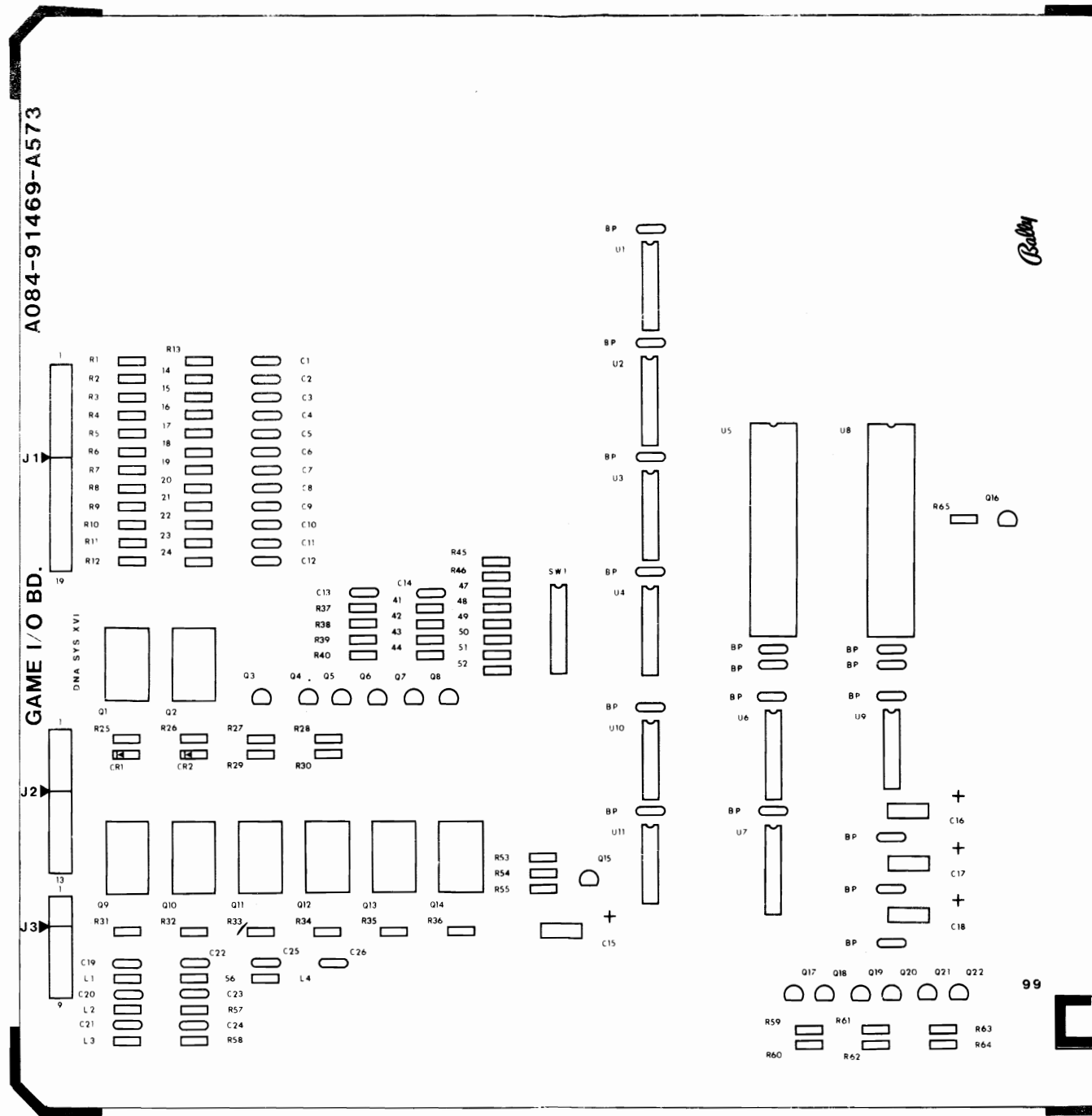


PROJECT ENG		USED ON SYS XVI		REVISIONS	
DO NOT SCALE DIM'S	HEAT TREAT	SCALE FULL	NO REQ'D I PER	Bidy / MIDWAY MFG. CO. FRANKLIN, PA. U.S.A.	
DIM TOLERANCE - UNLESS OTHERWISE SPECIFIED	DRN OTTO	SUPER GAME MEMORY A082 - 91467 - A000		PART NO M051 - 00339 - A006	
DATE 7/15/83	FINISH				

DESIGNATION LIST

DESIGNATION NO.	DESCRIPTION
BP	0.1 MFD +80-20% AX. CER.
C1-C14	0.1 MFD +80-20% AX. CER.
C15-C18	15 MFD 20% TANT.
C19-C24	27 PFD 5% AX. CER.
C25-C26	470 PFD 20% AX. CER.
R1-R12	220 OHM 1/4W 5%
R13-R24	2700 OHM 1/4W 5%
R25-R28	270 OHM 1/4W 5%
R29-R30	220 OHM 1/4W 5%
R31-R36	270 OHM 1/4W 5%
R37-R38	100 OHM 1/4W 5%
R39-R40	330 OHM 1/4W 5%
R41-R42	2200 OHM 1/4W 5%
R43-R44	47K OHM 1/4W 5%
R45-R52	2700 OHM 1/4W 5%
R53	22K OHM 1/4W 5%
R54	5100 OHM 1/4W 5%
R55	100 OHM 1/4W 5%
R56-R58	150 OHM 1/4W 5%
R59	11 OHM 1/4W 5%
R60	22 OHM 1/4W 5%
R61	11 OHM 1/4W 5%
R62	22 OHM 1/4W 5%
R63	11 OHM 1/4W 5%
R64	22 OHM 1/4W 5%
R65	2700 OHM 1/4W 5%
CR1-CR2	1N4004
Q1-Q2	TIP-110
Q3-Q6	2N4401
Q7-Q8	2N4403
Q9-Q14	TIP-31
Q15	2N6427
Q16	2N4401
Q17-Q22	2N4403
U1-U4	MC14539B
U5	CUSTOM I/O
U6-U7	74LS174
U8	CUSTOM I/O
U9	74LS86
U10-U11	7417
L1-L4	FERRITE BEAD
J1	KK100-19RA
J2	KK100-13RA
J3	KK100-09RA
SW1	8-POS DIP SWITCH

NON-REFERENCED
40-PIN IC SOCKET
CARD EJECTORS
METAL SNAPS
PC BOARD

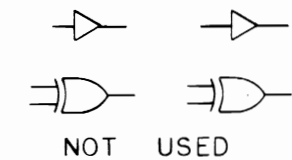
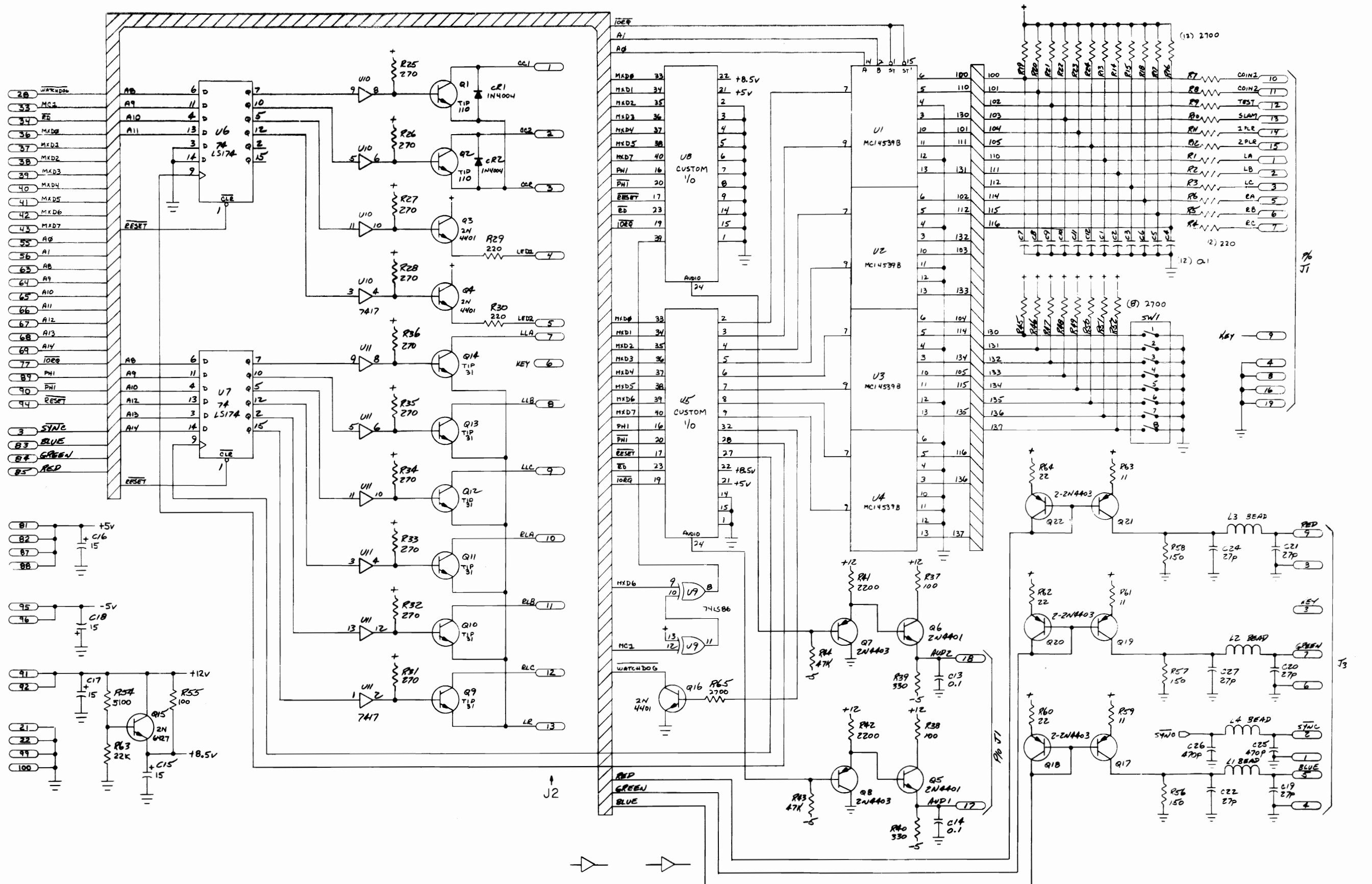


CROSS REFERENCE LIST

DESCRIPTION	QTY	DESIGNATION NO.	PART NOS.
27 PFD	6	C19-C24	0573-00800-0005
470 PFD	2	C25, C26	0573-00800-0006
0.1 MFD	30		0573-00800-0001
15 MFD	4	C15-C18	0573-00800-0002
11 OHM	3	R59, R61, R63	0062-052B3-1XXX
22 OHM	3	R60, R62, R64	0062-063B3-1XXX
100 OHM	3	R37, R38, R55	0062-110B3-1XXX
150 OHM	3	R56-R58	0062-122B3-1XXX
220 OHM	14	R1-R12, R29, R30	0062-133B3-1XXX
270 OHM	10	R25-R28, R31-R36	0062-138B3-1XXX
330 OHM	2	R39, R40	0062-144B3-1XXX
2200 OHM	2	R41, R42	0062-195B3-1XXX
2700 OHM	21	R13-R24, R45-R52	0062-199B3-1XXX
5100 OHM	1	R54	0062-213B3-1XXX
22K OHM	1	R53	0062-243B3-1XXX
47K OHM	2	R43, R44	0062-259B3-1XXX
1N4004	2	CR1, CR2	0573-00801-0001
2N4401	5	Q3-Q6, Q16	0573-00802-0001
2N4403	8	Q7, Q8, Q17-Q22	0573-00802-0002
2N6427	1	Q15	0573-00802-0003
TIP-31	6	Q9-Q14	0573-00802-0004
TIP-110	2	Q1, Q2	0573-00802-0005
7417	2	U10, U11	0573-00803-0005
74LS86	1	U9	0573-00803-0002
74LS174	2	U6, U7	0573-00803-0003
MC14539B	4	U1-U4	0573-00803-0004
CUSTOM I/O	2	U5, U8	0573-00803-0001
8-POS DIP SW.	1	SW1	0339-00804-0011
FERRITE BEAD	4	L1-L4	0069-275XX-XCGX
KK100-09RA	1	J3	3000-16468-0900
KK100-13RA	1	J2	3000-16468-1300
KK100-19RA	1	J1	3000-16468-1900
40-PIN IC SOCKET	2		0339-00804-0009
METAL SNAPS	8		0573-00804-0001
CARD EJECTORS	2		0573-00804-0010
PC. BOARD, BLANK	1		A080-91469-A573

REVISIONS	

PROJECT ENG: D. OTTO		USED ON PROF. PACMAN		Baby / MIDWAY MFG. CO. FRANKLIN PK ILL	
DO NOT SCALE DWG		HEAT TREAT	SCALE FULL	NO. REQ'D I/PER	
DIM TOLERANCES UNLESS SPECIFIED		DRAWN: BAK	MAT'L:	ASSY. DWG. I/O BD.	
CONCENTRICITY TYP 0.01		CRD.	FINISH:	PART NO.	
FRACTIONAL 1/64		DATE 7/5/83		M051 - 00573 - A008	
DECIMAL 0.05					
HOLE DIA +0.02 0.00					

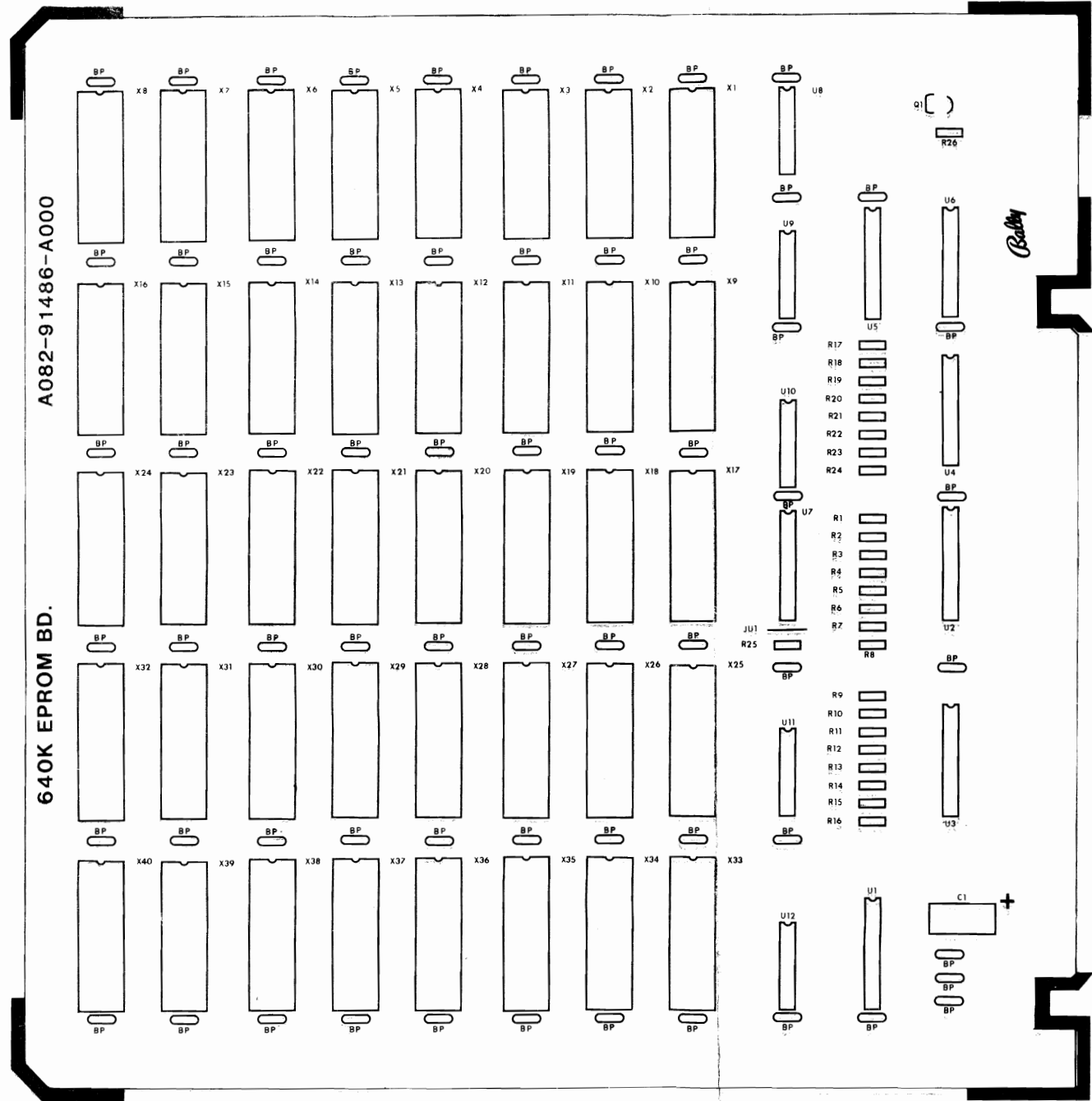


ALL CAPACITORS IN MFD
ALL RESISTORS IN OHMS
UNLESS MARKED OTHERWISE

PROJECT ENG		HEAT TREAT		SCALE		USED ON PROF. PAC-MAN		REVISIONS	
DO NOT SCALE	DATE	NO. REQ'D	PER	Bobby / MIDWAY MFG. CO.		FRANKLIN PR. TEL.			
DATE	7/6/83	NO. REQ'D	PER	GAME BOARD SCHEMATIC DWG		PART NO.		M051-00573-A009	
DATE	7/6/83	NO. REQ'D	PER	A 084-91469-A573					

DESIGNATION LIST

DESIGNATION NO.	DESCRIPTION
BP	0.1 MFD +80-20X AX. CER.
C1	15 MFD 20% TANT.
R1-R24 R25-R26	33 OHM 1/4W 5% 2700 OHM 1/4W 5%
Q1	2N4401
U1-U3 U4 U5 U6 U7 U8-U12	74LS244 74LS245 74LS273 CUSTOM U6 CUSTOM U7 74LS138
X1-X40	28-PIN IC SOCKET
JU1	WIRE JUMPER
NON-REFERENCED USED ON PROFESSOR PAC-MAN	
27128	EPROM POS X1
27128	EPROM POS X2
27128	EPROM POS X3
27128	EPROM POS X4
27128	EPROM POS X5
27128	EPROM POS X6
27128	EPROM POS X7
27128	EPROM POS X8
27128	EPROM POS X9
27128	EPROM POS X10
27128	EPROM POS X11
27128	EPROM POS X12
27128	EPROM POS X13
27128	EPROM POS X14

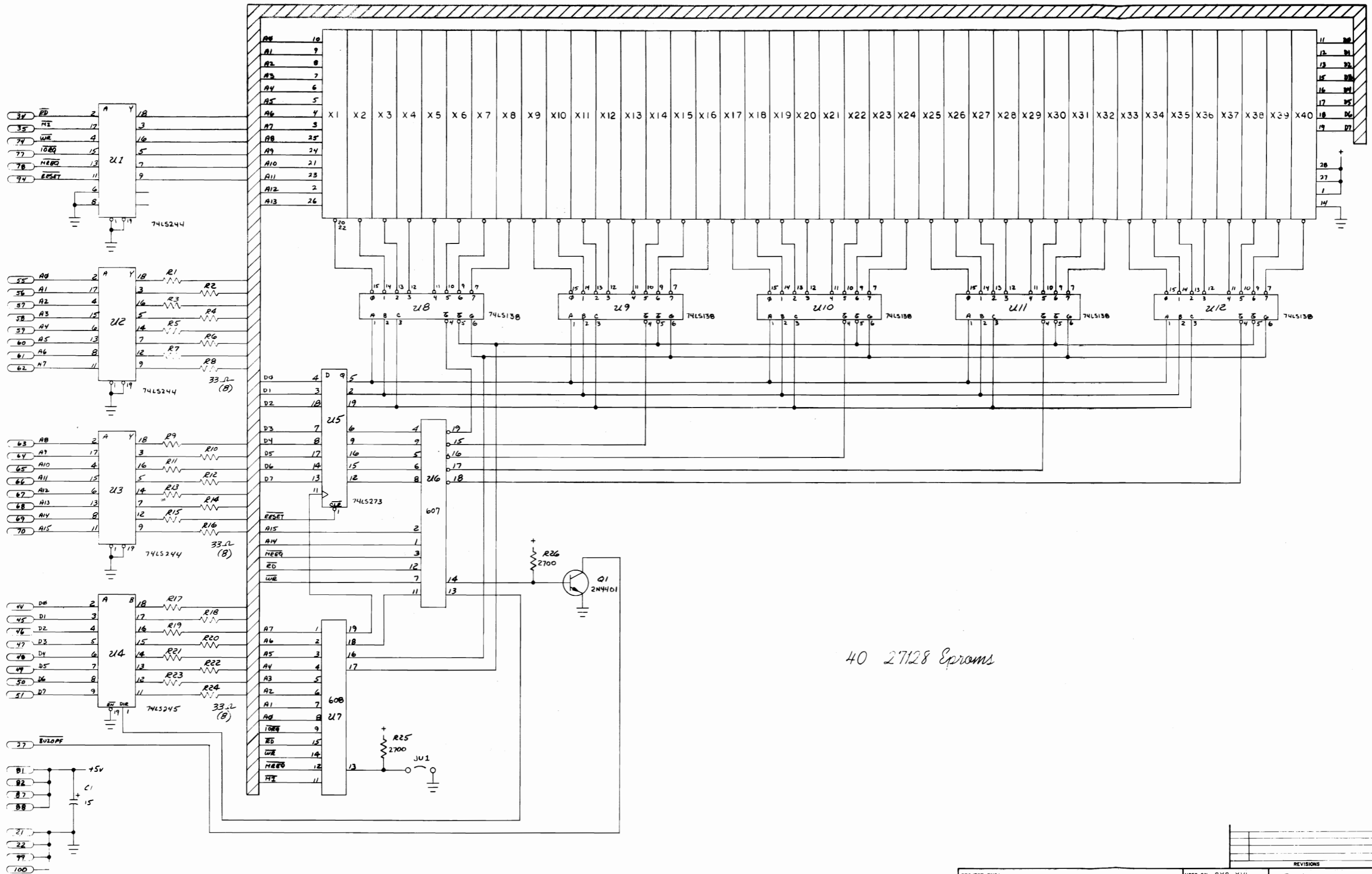


CROSS REFERENCE LIST

DESCRIPTION	QTY	DESIGNATION NO.	PART NOS.
0.1 MFD 15 MFD	63 1		0339-00800-0017 0339-00800-0018
33 OHM 2700 OHM	24 2	R1-R24 R25, R26	0062-074B3-1XXX 0062-199B3-1XXX
2N4401	1	Q1	0339-00802-0005
74LS138 74LS244 74LS245 74LS273 CUSTOM U6 CUSTOM U7	5 3 1 1 1 1	U8-U12 U1-U3 U4 U5 U6 U7	0339-00803-0031 0339-00803-0082 0339-00803-0083 0339-00803-0084 0339-00803-0085 0339-00803-0086
20-PIN 28-PIN IC SOCKET	7 40		0339-00804-0005 0339-00804-0008
CARD EJECTORS	1	X1-X40	0339-00804-0016
PC. BOARD, BLANK	2	JU1	0339-00804-0010
	1		A080-91486-A000

DESCRIPTION	QTY	DESIGNATION NO.	PART NOS.
PROG 27128	1		5730-42AXC-AXFD
PROG 27128	1		5730-42AXC-BXFD
PROG 27128	1		5730-42AXC-CXFD
PROG 27128	1		5730-42AXC-DXFD
PROG 27128	1		5730-42AXC-EXFD
PROG 27128	1		5730-42AXC-FXFD
PROG 27128	1		5730-42AXC-GXFD
PROG 27128	1		5730-42AXC-HXFD
PROG 27128	1		5730-42AXC-JXFD
PROG 27128	1		5730-42AXC-KXFD
PROG 27128	1		5730-42AXC-LXFD
PROG 27128	1		5730-42AXC-MXFD
PROG 27128	1		5730-42AXC-NXFD
PROG 27128	1		5730-42AXC-PXFD

PROJECT ENG: D. OTTO		USED ON PROF. PAC-MAN		REVISIONS	
DO NOT SCALE DWG		HEAT TREAT	SCALE FULL	NO. REQ'D 1 PER	
DIM. TOLERANCES UNLESS SPECIFIED		DRW. RLW	MAT'L	ASSEMBLY DWG.	
CHECKED		DATE 7/11/83	FINISH	640K EPROM BD.	
HOLE DIA 0.012 000				A082-91486-A000	
				PART NO M051 - 00114 - A024	
				Baby / MIDWAY MFG. CO. FRANKLIN PK. ILL	

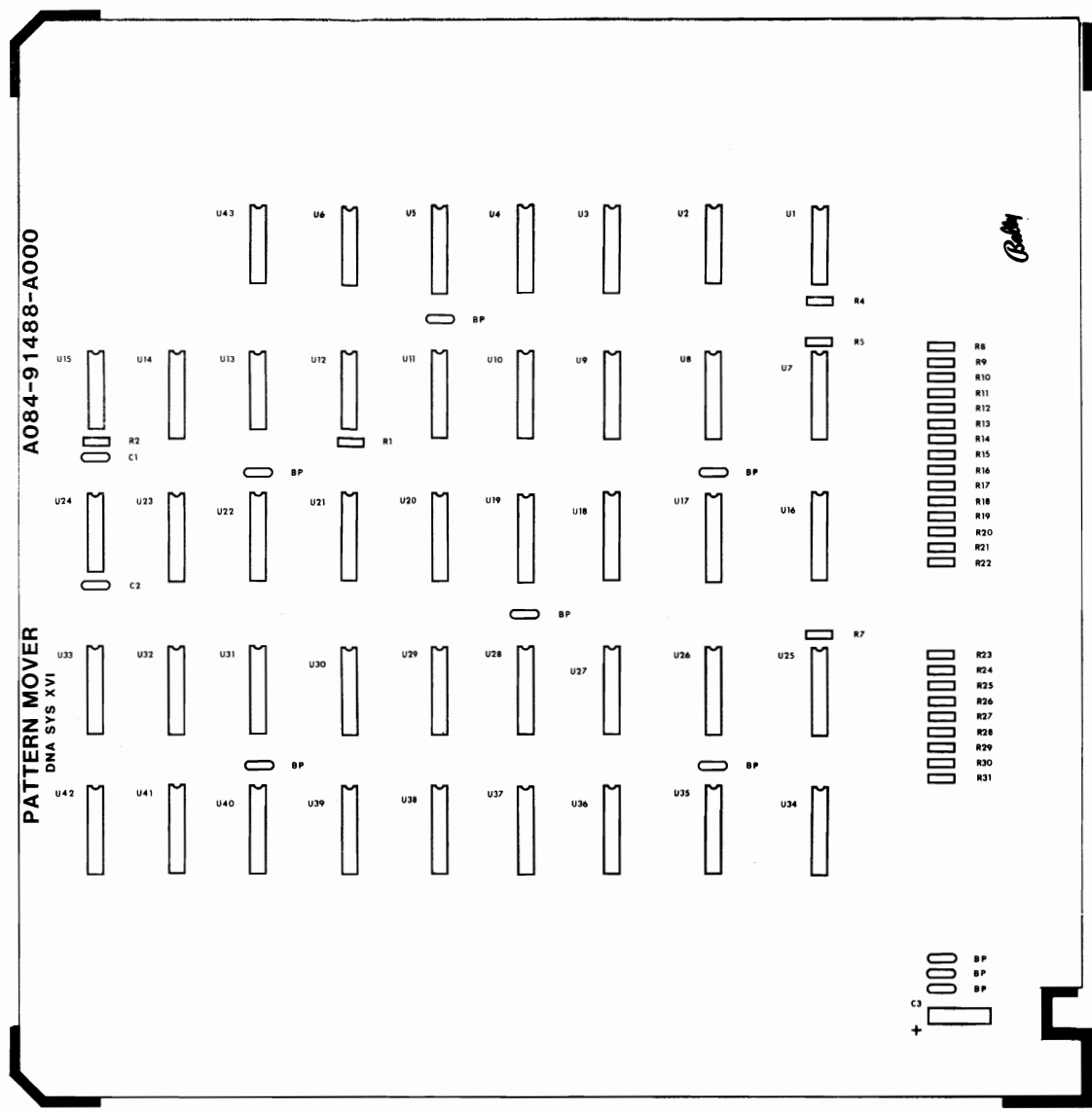


40 27128 Eproms

PROJECT ENG:		USED ON SYS XVI		REVISIONS	
NO. OF TOLERANCE:	DATE: 07/15/83	NO. REQ'D:	PER:	MIDWAY MFG. CO. FRANKLIN, PA. U.S.A.	
640K EPROM BOARD SCHEMATIC DWG A082-91486-A000		PART NO: M 051-00114-A025			

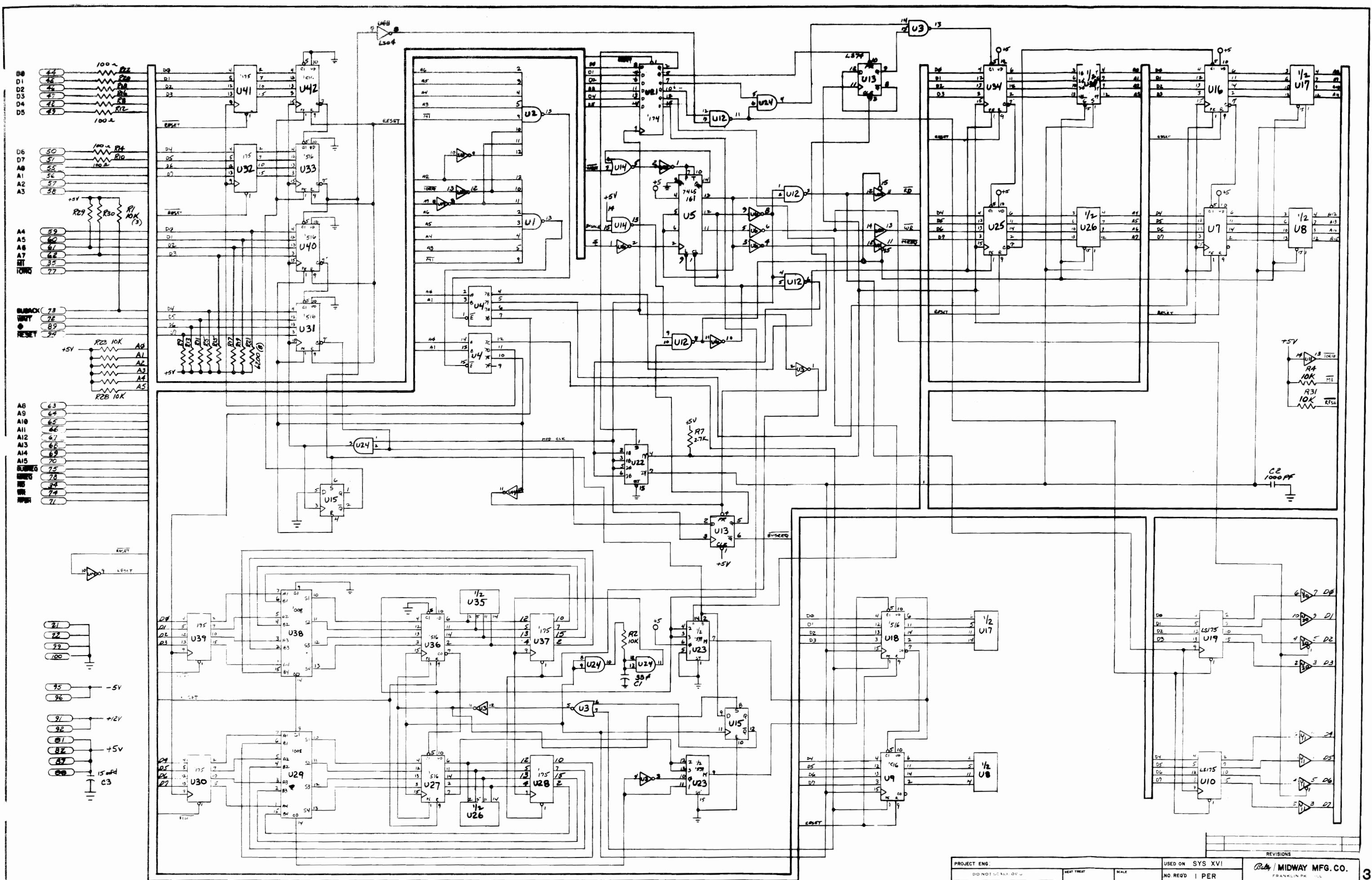
DESIGNATION LIST			
DESIGNATION NO.	DESCRIPTION	DESIGNATION NO.	DESCRIPTION
BP	0.1 MFD +80-20% AX. CER.	U1	MC14068
		U2	MC14068
		U3	MC14572UB
C1	33 PFD 5% AX. CER.	U4	MC14555
C2	1000 PFD 10% AX. CER.	U5	74LS161
		U6	74LS04
C3	15 MFD 20% TANT.	U7	MC14516
		U8	74LS257
		U9	MC14516
R1	10K OHM 1/4W 5%	U10	74LS175
R2	10K OHM 1/4W 5%	U11	74LS367
R3	NOT USED	U12	74LS00
R4	10K OHM 1/4W 5%	U13	74LS74
R5	6200 OHM 1/4W 5%	U14	MC14572UB
R6	NOT USED	U15	MC14013
R7	2700 OHM 1/4W 5%	U16	MC14516
R8	100 OHM 1/4W 5%	U17	74LS257
R9	6200 OHM 1/4W 5%	U18	MC14516
R10	100 OHM 1/4W 5%	U19	74LS175
R11	6200 OHM 1/4W 5%	U20	74LS367
R12	100 OHM 1/4W 5%	U21	MC14174
R13	6200 OHM 1/4W 5%	U22	74LS157
R14	100 OHM 1/4W 5%	U23	MC14539
R15	6200 OHM 1/4W 5%	U24	MC14081
R16	100 OHM 1/4W 5%	U25	MC14516
R17	6200 OHM 1/4W 5%	U26	74LS257
R18	100 OHM 1/4W 5%	U27	MC14516
R19	6200 OHM 1/4W 5%	U28	MC14175
R20	100 OHM 1/4W 5%	U29	MC14008
R21	6200 OHM 1/4W 5%	U30	MC14175
R22	100 OHM 1/4W 5%	U31	MC14516
R23	10K OHM 1/4W 5%	U32	MC14175
R24	10K OHM 1/4W 5%	U33	MC14516
R25	10K OHM 1/4W 5%	U34	MC14516
R26	10K OHM 1/4W 5%	U35	74LS257
R27	10K OHM 1/4W 5%	U36	MC14516
R28	10K OHM 1/4W 5%	U37	MC14175
R29	10K OHM 1/4W 5%	U38	MC14008
R30	10K OHM 1/4W 5%	U39	MC14175
R31	10K OHM 1/4W 5%	U40	MC14516
		U41	MC14516
		U42	MC14175
		U43	74LS04

NON-REFERENCED
CARD EJECTORS
PC BOARD



CROSS REFERENCE LIST			
DESCRIPTION	QTY	DESIGNATION NO.	PART NOS.
33 PFD	1	C1	0339-00800-0011
1000 PFD	1	C2	0339-00800-0012
0.1 MFD	9		0339-00800-0013
15 MFD	1	C3	0339-00800-0014
100 OHM	8	R8, R10, R12, R14, R16, R18, R20, R22	0062-110B3-1XXX
2700 OHM	1	R7	0062-199B3-1XXX
6200 OHM	8	R5, R9, R11, R13, R15, R17, R19, R21	0062-217B3-1XXX
10K OHM	12	R1, R2, R4, R23-R31	0062-227B3-1XXX
74LS00	1	U12	0339-00803-0064
74LS04	2	U6, U43	0339-00803-0065
74LS74	1	U13	0339-00803-0066
74LS157	1	U22	0339-00803-0067
74LS161	1	U5	0339-00803-0068
74LS175	2	U10, U19	0339-00803-0069
74LS257	4	U8, U17, U26, U35	0339-00803-0070
74LS367	2	U11, U20	0339-00803-0071
MC14008B	2	U29, U38	0339-00803-0072
MC14013B	1	U15	0339-00803-0073
MC14068B	2	U1, U2	0339-00803-0074
MC14081B	1	U24	0339-00803-0075
MC14174B	1	U21	0339-00803-0076
MC14175B	6	U28, U30, U32, U37, U39, U41	0339-00803-0077
MC14516B	12	U7, U9, U16, U18, U25, U27, U31, U33, U34, U36, U40, U42	0339-00803-0078
MC14539B	1	U23	0339-00803-0079
MC14555B	1	U4	0339-00803-0080
MC14572UB	2	U3, U14	0339-00803-0081
CARD EJECTORS	2		0339-00804-0010
PC. BOARD, BLANK	1		A080-91488-A000

PROJECT ENG: D. OTTO		USED ON PROF. PAC-MAN		REVISIONS	
DO NOT SCALE DWG		HEAT TREAT	SCALE	NO. REQ'D I PER	
			FULL		
DIM TOLERANCES UNLESS SPECIFIED		ASSEMBLY DWG.		PART NO.	
CONCENTRICITY T.W. 0.01		PATTERN MOVER PC. BD.		M 051 - 00339 - A009	
FUNCTIONAL - 1/64		A084-91488-A000			
DECIMAL - 0.001					
HOLE DIA +.002 0.000					
DATE	7/5/83				



- D0 42
- D1 43
- D2 44
- D3 45
- D4 46
- D5 47
- D6 50
- D7 51
- A0 52
- A1 53
- A2 54
- A3 55
- A4 59
- A5 60
- A6 61
- A7 62
- HT 63
- TORG 64
- BUSACK 73
- WAIT 74
- RESET 75
- A0 76
- A1 77
- A2 78
- A3 79
- A4 80
- A5 81
- BUSREQ 82
- MEMO 83
- RD 84
- WR 85
- MPH 86
- 71
- 72
- 73
- 74
- 75
- 76
- 77
- 78
- 79
- 80
- 81
- 82
- 83
- 84
- 85
- 86
- 87
- 88
- 89
- 90
- 91
- 92
- 93
- 94
- 95
- 96
- 97
- 98
- 99
- 100

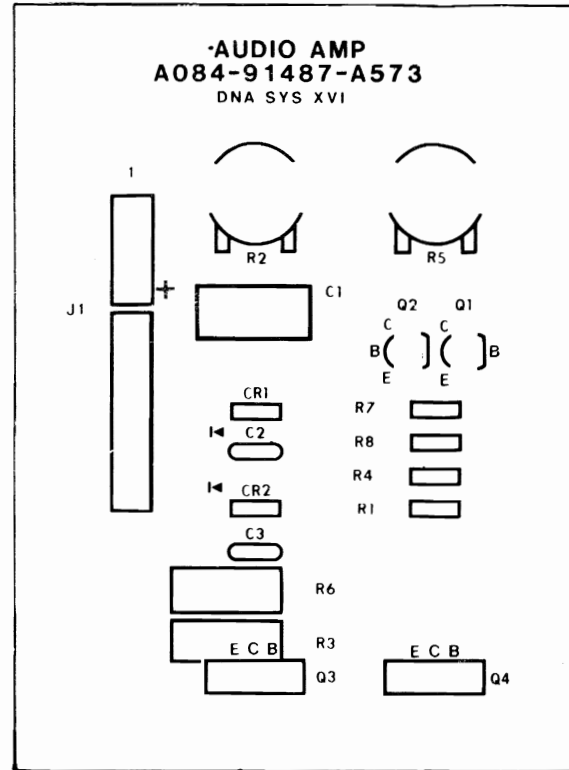
PROJECT ENG:		USED ON SYS XVI		REVISIONS	
DO NOT SCALE DWG		HEAT TREAT	SCALE	NO REQ'D PER	
DIM TOLERANCES UNLESS SPECIFIED		DRN DJO	FRM	PATTERN MOVER SCHEMATIC DWG A084-91488-A000	
DATE 7/15/83		PART NO M051-00339-A010		PART NO M051-00339-A010	

DESIGNATION LIST

CROSS REFERENCE LIST

DESIGNATION NO.	DESCRIPTION
C1	15 MFD 20% TANT.
C2	0.1 MFD +80-20% AX. CER.
C3	0.1 MFD +80-20% AX. CER.
R1	330 OHM 1/4W 5%
R2	200 OHM POTENTIOMETER
R3	3.3 OHM 1W 5%
R4	330 OHM 1/4W 5%
R5	200 OHM POTENTIOMETER
R6	3.3 OHM 1W 5%
R7	33 OHM 1/4W 5%
R8	33 OHM 1/4W 5%
CR1	1N4004
CR2	1N4004
Q1	2N4403
Q2	2N4403
Q3	TIP-31
Q4	TIP-31
J1	KK156-10RA

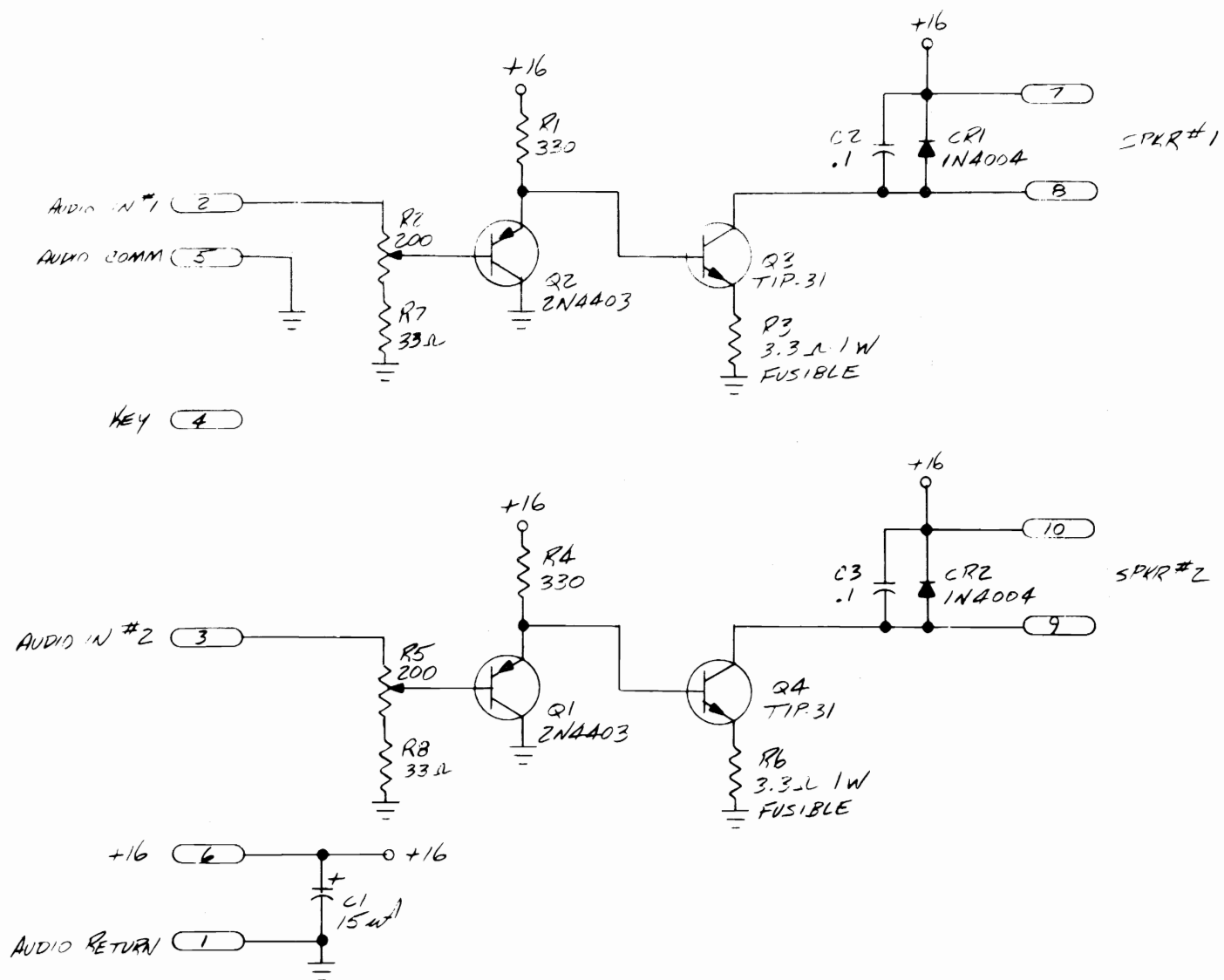
NON-REFERENCED
PC BOARD



DESCRIPTION	QTY	DESIGNATION NO.	PART NOS.
0.1 MFD	2	C2,C3	0573-00800-0003
15 MFD	1	C1	0573-00800-0004
3.3 OHM 1W	2	R3,R6	0062-038F3-1XXX
33 OHM	2	R7,R8	0062-074B3-1XXX
330 OHM	2	R1,R4	0062-144B3-1XXX
200 OHM	2	R2,R5	0062-050AX-1JED
1N4004	2	CR1,CR2	0573-00801-0002
2N4403	2	Q1,Q2	0573-00802-0006
TIP-31	2	Q3,Q4	0573-00802-0007
KK156-10RA	1	J1	3000-16387-1000
P.C BOARD, BLANK	1		A080-91487-A573

REVISIONS	

PROJECT ENG: DAVE OTTO		USED ON PROF. PACMAN		Bally / MIDWAY MFG. CO. FRANKLIN PK ILL
DONOT SCALE DWG		HEAT TREAT	SCALE FULL	
DIM TOLERANCES UNLESS SPECIFIED		NO. REQ'D 1 PER		PART NO. M051 - 00573 - A010
DIM TOLERANCES UNLESS SPECIFIED DECIMAL ± 0.005 HOLE DIA + 0.02 0.00	DRN CKD. DATE 7/15/83	MAT'L.	FINISH	
ASSY. DWG. AUDIO AMP		A084 - 91487 - A573		

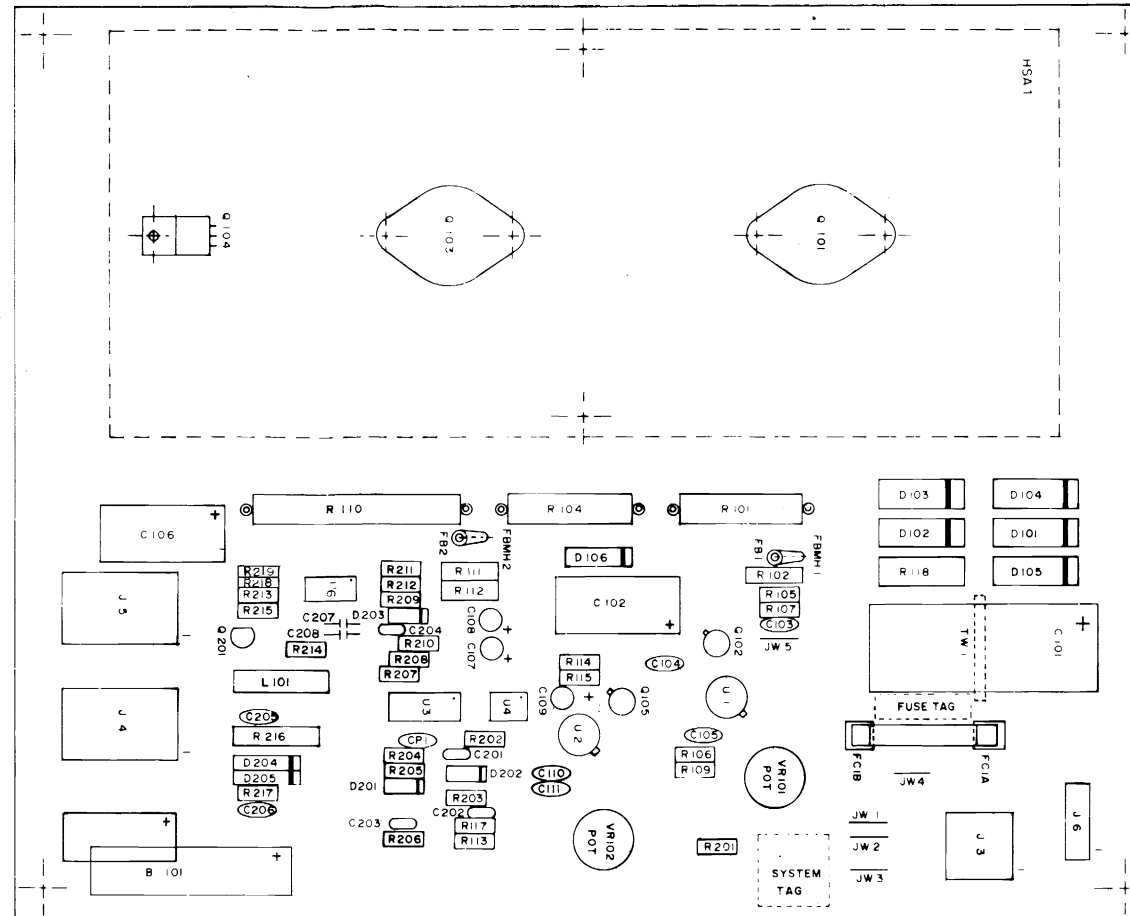


DO NOT SCALE DWG		HEAT TREAT	SCALE	USED ON	SYS XVI	MIDWAY MFG. CO. FRANKLIN PK ILL
DIM TOLERANCES UNLESS SPECIFIED		DRN <i>KCA</i>	2=1	NO REQ'D 1 PER		
CONCENTRICITY TIR .003	FRACTIONAL .1/64	CKD	FINISH	AUDIO AMP SCHEMATIC DWG		PART NO.
DECIMAL .005	HOLE DIA +.002-.000	DATE	7/15/83	A084-91487-A573		M051-00573-A011

CROSS REFERENCE LIST

DESIGNATION LIST

DESIGNATION *	DESCRIPTION	DESIGNATION *	DESCRIPTION
C101	4700uf AX. ELECT.	R117	560ohm 1/4W 5%
C102	470uf AX. ELECT.	R118	150ohm 2W
C103	.1uf AX. CER.	R201	270ohm 1/4W 5%
C104	.1uf AX. CER.	R202	1.2K 1/4W 5%
C105	47pf AX. CER.	R203	1.1M 1/4W 5%
C106	470uf AX. ELECT.	R204	3.3M 1/4W 5%
C107	100uf RD. TANT.	R205	10M 1/4W 5%
C108	1uf RD. TANT.	R206	100K 1/4W 5%
C109	4.7uf RD. TANT.	R207	33K 1/4W 5%
C110	.1uf AX. CER.	R208	2M 1/4W 5%
C111	.1uf AX. CER.	R209	1M 1/4W 5%
C201	.01uf MYLAR	R210	1.2M 1/4W 5%
C202	.033uf MYLAR	R211	75K 1/4W 5%
C203	.01uf MYLAR	R212	75K 1/4W 5%
C204	.047uf MYLAR	R213	220K 1/4W 5%
C205	820pf AX. CER.	R214	3.9K 1/4W 5%
C206	.01uf AX. CER.	R215	1.2K 1/4W 5%
C207	0.082uf MYLAR	R216	82ohm 1W 10%
		R217	270ohm 1/4W 5%
		R218	110K 1/4W 5%
		R219	68ohm 1/2W 5%
		VR101,102	100ohm POT
CP1	.1uf AX. CER.		
R101	18ohm 5W W/RES. SPACER	D101	A15F
R102	68ohm 1/2W 5%	D102	A15F
R104	10ohm 5W W/RES. SPACER	D103	A15F
R105	27ohm 1/4W 5%	D104	A15F
R106	270ohm 1/4W 5%	D105	A15F
R107	6.2K 1/4W 5%	D106	1N4001
		D201	1N4148
		D202	1N4148
		D203	1N4148
		D204	1N4001
		D205	1N4001
R109	1K 1/4W 5%		
R110	.16ohm 15W W/RES. SPACER	Q102	2N2905
R111	6.8ohm 1/2W 5%	Q105	2N2905
R112	68ohm 1/2W 5%	Q201	2N4401
R113	1.2K 1/4W 5%		
R114	47ohm 1/4W 5%	U1	LM305 REG.
R115	160ohm 1/4W 5%	U2	LM305 REG.
		U3	LM3900
		U4	1N28
		U6	555
		L101	22uH INDUCTOR
		B101	BATTERY 3.6VDC 60DEG C
		F1	3 BA S-BLO FUSE
		FC1A,1B	FUSE CLIP
		FE1,2	FERRITE BEAD
		TW1	TIE WRAP
		J3	9PIN P.C. MOUNT CONN (MALE)
		J4	15PIN P.C. MOUNT CONN (FEMALE)
		J5	15PIN P.C. MOUNT CONN (MALE)
		J6	3PIN P.C. MOUNT CONN (MALE)
LB1	FUSE TAG		
LB2	SYSTEM TAG		
HSA1	HEAT SINK ASS'Y 1		
MHSA1	MOUNTING HARD WARE(HEAT SINK)		
	2 SCREW		
	4 WASHER		
	2 HEXNUT		
JW1,5	JUMPER WIRE		
FBMH1,2	FERRITE BEAD MOUNTING HARD		



DESCRIPTION	Q'ty	DESIGNATION *	PART *
47pf AX. CER.	1	C105	0945-00811-0100
820pf AX. CER.	1	C205	0945-00816-0400
0.1uf AX. CER.	2	C206,208	0945-00616-0100
0.1uf MYLAR	2	C201,203	0945-00316-0200
0.033uf MYLAR	1	C202	0945-00816-0500
0.047uf MYLAR	1	C204	0945-00816-0300
0.082uf AX. CER.	1	C207	0945-00816-1900
.1uf AX. CER.	5	C103,104,110,111, CP1	0945-00811-0200
1uf RAD TANT	1	C108	0915-00811-0300
4.7uf RAD TANT	1	C109	0945-00811-0400
100uf HAD TANT	1	C107	0945-00811-0500
470uf AX. ELECT.	2	C102,106	0945-00816-0600
470uf AX. ELECT.	1	C101	0945-00811-0700
.16ohm 15W 5%	1	R110	0945-00815-0100
.18ohm 5W 5%	1	R101	0945-00815-0200
6.8ohm 1/2W 5%	1	R111	0062-047D3-1XXX
10ohm 5W 5%	1	R104	0945-00812-0100
27ohm 1/4W 5%	1	R105	0062-068B3-1XXX
47ohm 1/4W 5%	1	R114	0062-086B3-1XXX
68ohm 1/2W 5%	3	R102,112,219	0062-098D3-1XXX
82ohm 1W 10%	1	R216	0062-104F5-1XXX
150ohm 2W 5%	1	R118	0945-00812-0200
160ohm 1/4W 5%	1	R115	0062-124B3-1XXX
270ohm 1/4W 5%	3	R106,201,217	0062-138B3-1XXX
560ohm 1/4W 5%	1	R117	0062-162B3-1XXX
1K 1/4W 5%	1	R109	0062-179B3-1XXX
1.2K 1/4W 5%	3	R113,202,215	0062-183B3-1XXX
3.9K 1/4W 5%	1	R214	0062-207B3-1XXX
6.2K 1/4W 5%	1	R107	0062-217B3-1XXX
33K 1/4W 5%	1	R207	0062-251B3-1XXX
75K 1/4W 5%	2	R211,212	0062-269B3-1XXX
100K 1/4W 5%	1	R206	0062-275B3-1XXX
110K 1/4W 5%	1	R218	0062-277B3-1XXX
220K 1/4W 5%	1	R213	0062-291B3-1XXX
1M 1/4W 5%	1	R209	0062-323B3-1XXX
1.1M 1/4W 5%	1	R203	0062-325B3-1XXX
1.2M 1/4W 5%	1	R210	0062-327B3-1XXX
2M 1/4W 5%	1	R208	0062-337B3-1XXX
3.3M 1/4W 5%	1	R204	0062-347B3-1XXX
10M 1/4W 5%	1	R205	0062-371B3-1XXX
100ohm POT	2	VR101,102	0945-00814-0000
LM305 REG.	2	U1,2	0945-00813-0100
555	1	U6	0929-00810-4500
LM3900	1	U3	0945-00813-0200
4N28	1	U4	0945-00813-0300
A15F RECTIFIER	5	D101-105	0945-00804-0200
1N4001	3	D106,204,205	0945-00804-0300
1N4148	3	D201-203	0945-00804-0500
2N2905	2	Q102,105	0945-00808-0300
2N4401	1	Q201	0945-00804-0400
BATTERY 3.6VDC 60DEG-C	1	B101	0017-00003-0377
FUSE 3/8A S-BLO	1	F1	0945-00808-0400
FUSE CLIP	2	FC1A,1B	0017-00003-0214
TIE WRAP	1	TW1	0945-00814-0300
FERRITE BEAD	2	FB1,2	0017-00009-0225
FERRITE MOUNTING HDW	2	FBMH1,2	0017-00033-0139
22uH INDUCTOR	1	L101	0945-00814-0200
FUSE TAG	1		M051-00945-A004
SYSTEM TAG	1		M051-00945-A009
P.C.B.	1		A080-90412-U000
HEAT SINK ASS'Y	1	HSA1	A945-00008-0000
(SEE HS ASS'Y DRAWING "X" NOTE)			
4-40 X 10 SLT RND	2	MHSA1A,2A	0017-00101-00727
4-40 HEX NUT	2	MHSA1E,2E	0017-00103-0000
WSH 4-120-.250-018	4	MHSA1B,1D	0017-00104-00
3PIN P.C. MOUNT CONN. (MALE)	1	J6	0017-00021-0443
9PIN P.C. MOUNT CONN. (MALE)	1	J3	0017-00021-0425
15PIN P.C. MOUNT CONN. (FEMALE)	1	J4	0017-00021-0441
15PIN P.C. MOUNT CONN. (MALE)	1	J5	0017-00021-0440
22AWG T & R BARE 2.5"	5	JW1-5	0151-00087-0000

FROJ. ENG.: L. DEKKER

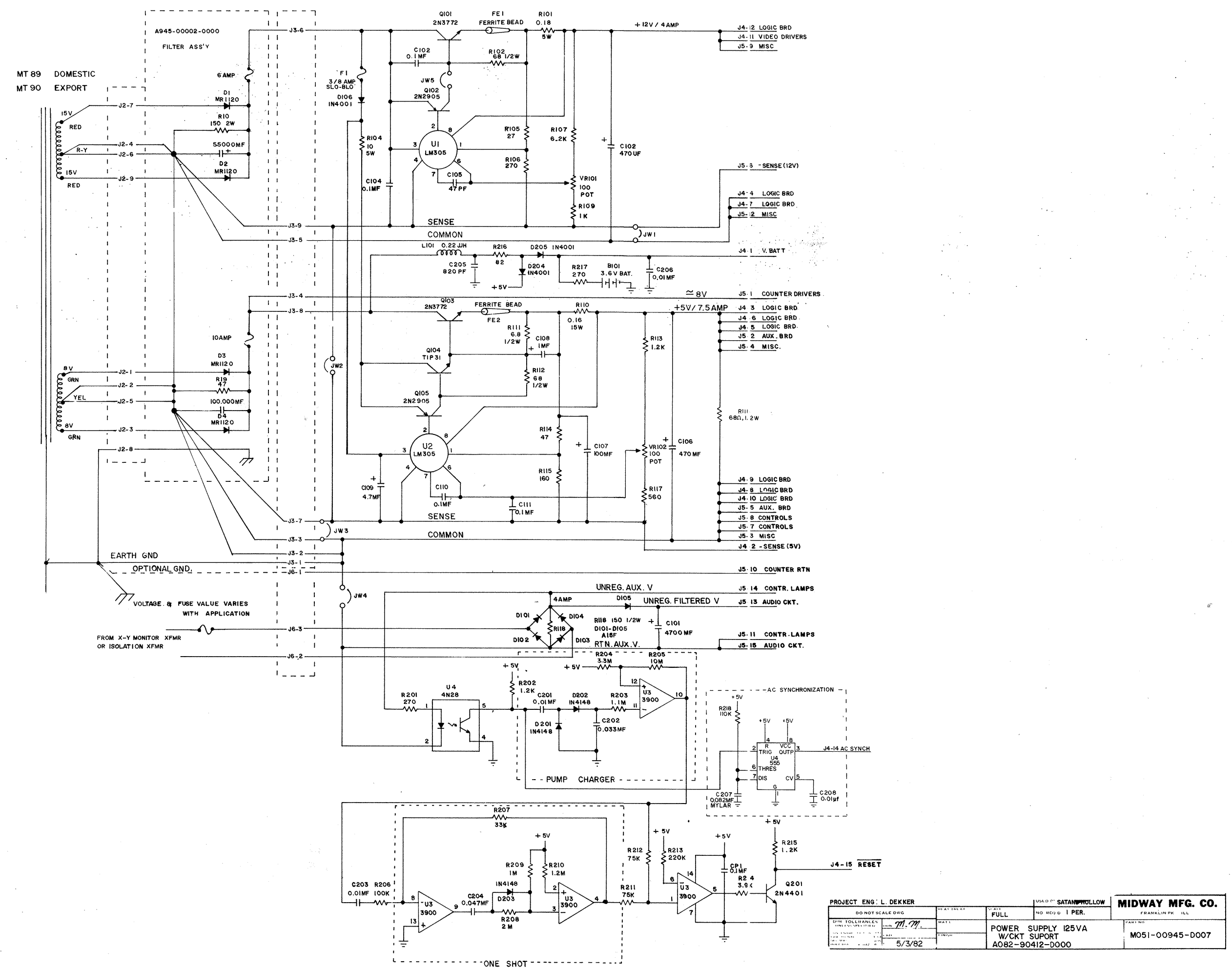
MIDWAY MFG. CO.
FRANKLIN, ILL.

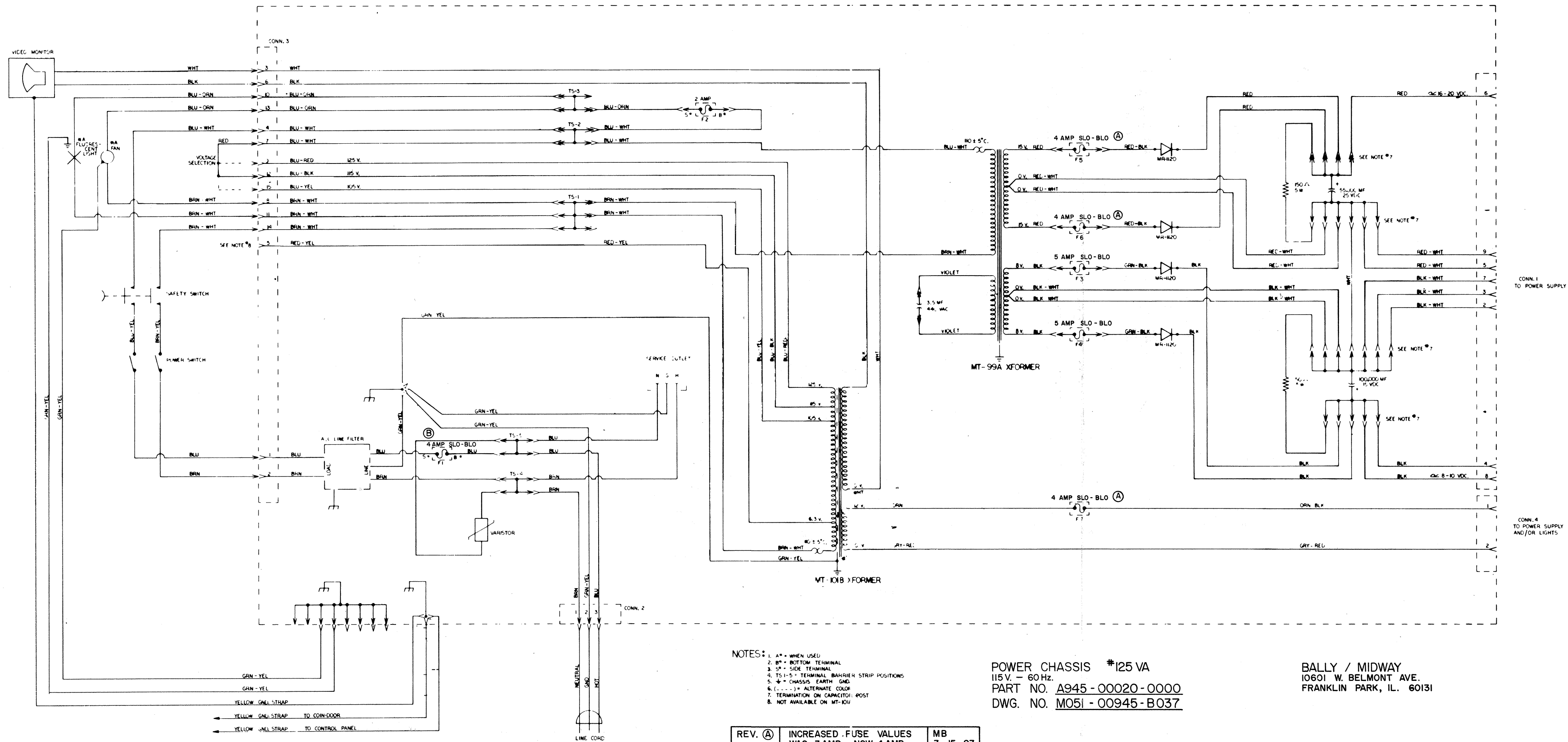
ASSEMBLY DRAWING 125VA PWRSPY

A082-90412-D000

M051-00945-D006

5/14/82



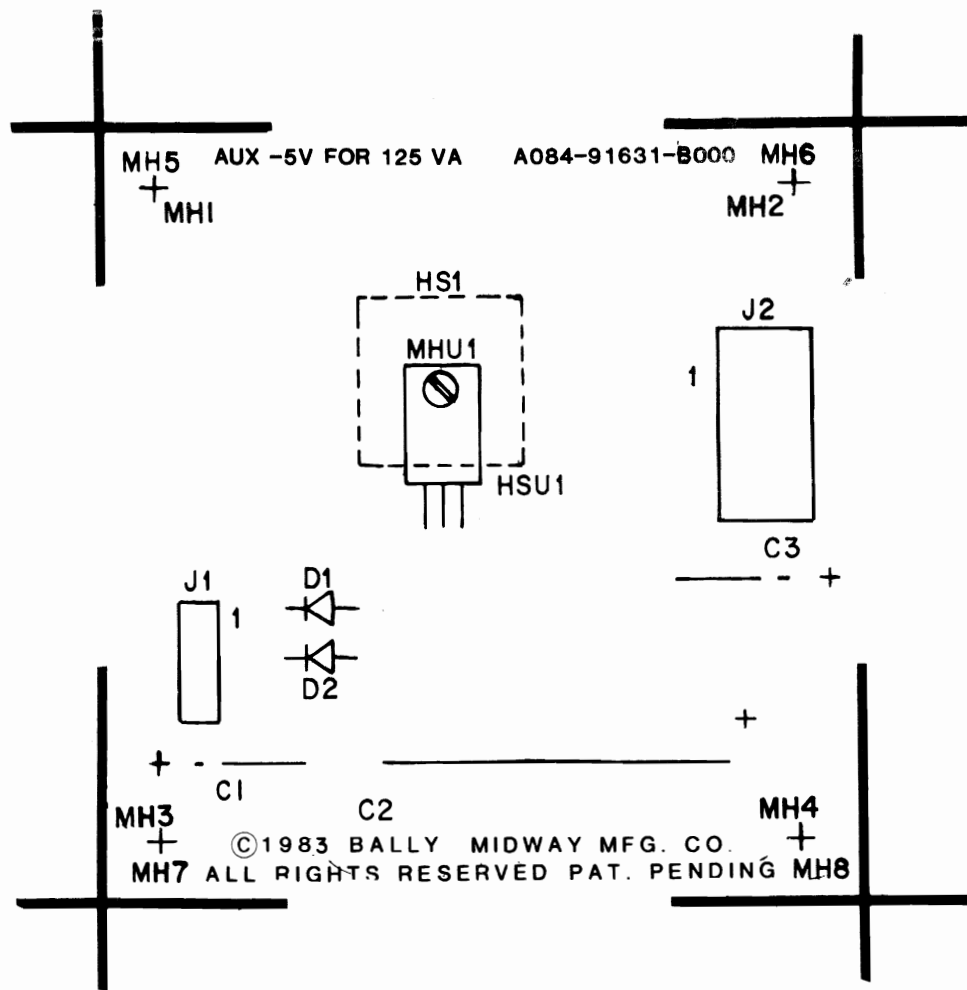


- NOTES:
1. A* - WHEN USED
 2. B* - BOTTOM TERMINAL
 3. S* - SIDE TERMINAL
 4. TS1-S* - TERMINAL BARRIER STRIP POSITIONS
 5. M* - CHASSIS EARTH GND
 6. (---) - ALTERNATE COLOR
 7. TERMINATION ON CAPACITOR POST
 8. NOT AVAILABLE ON MT-101

POWER CHASSIS #125 VA
 115 V. - 60 Hz.
 PART NO. A945-00020-0000
 DWG. NO. M051-00945-B037

BALLY / MIDWAY
 10601 W. BELMONT AVE.
 FRANKLIN PARK, IL. 60131

REV. (A)	INCREASED FUSE VALUES WAS 3 AMP - NOW 4 AMP ADDED PART NO. (UL)	MB 3-15-83
REV. (B)	INCREASED FUSE VALUE WAS 3 AMP - NOW 4 AMP	MB 3-24-83



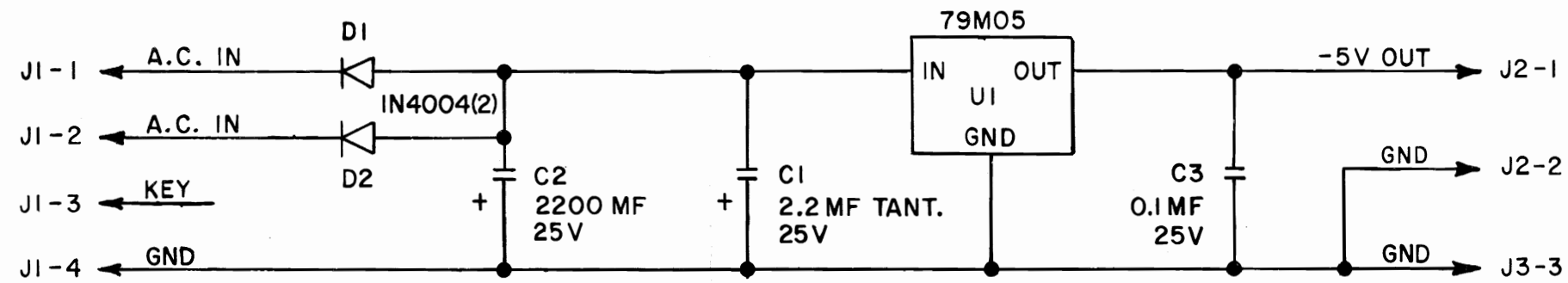
DESIGNATION LIST

<u>DESIGNATION NO.</u>	<u>DESCRIPTION</u>
C1	2.2 MF TANT.
C2	2200 MF 25V ELECT.
C3	.1 MF CER.
D1, D2	1N4004 DIODE
HSU1	79M05 VOLTAGE REGULATOR
HS1	HEATSINK, CLIP ON
MHU1	(1) SCREW (1) NUT (1) WASHER
J1	KK156 4 PIN CONN.
J2	AMPHENOL 3 PIN CONNECTOR
MH1-4	SPACER
A080-91631-B000	AUX.-5V FOR 125VA P.C. BOARD

CROSS REFERENCE LIST

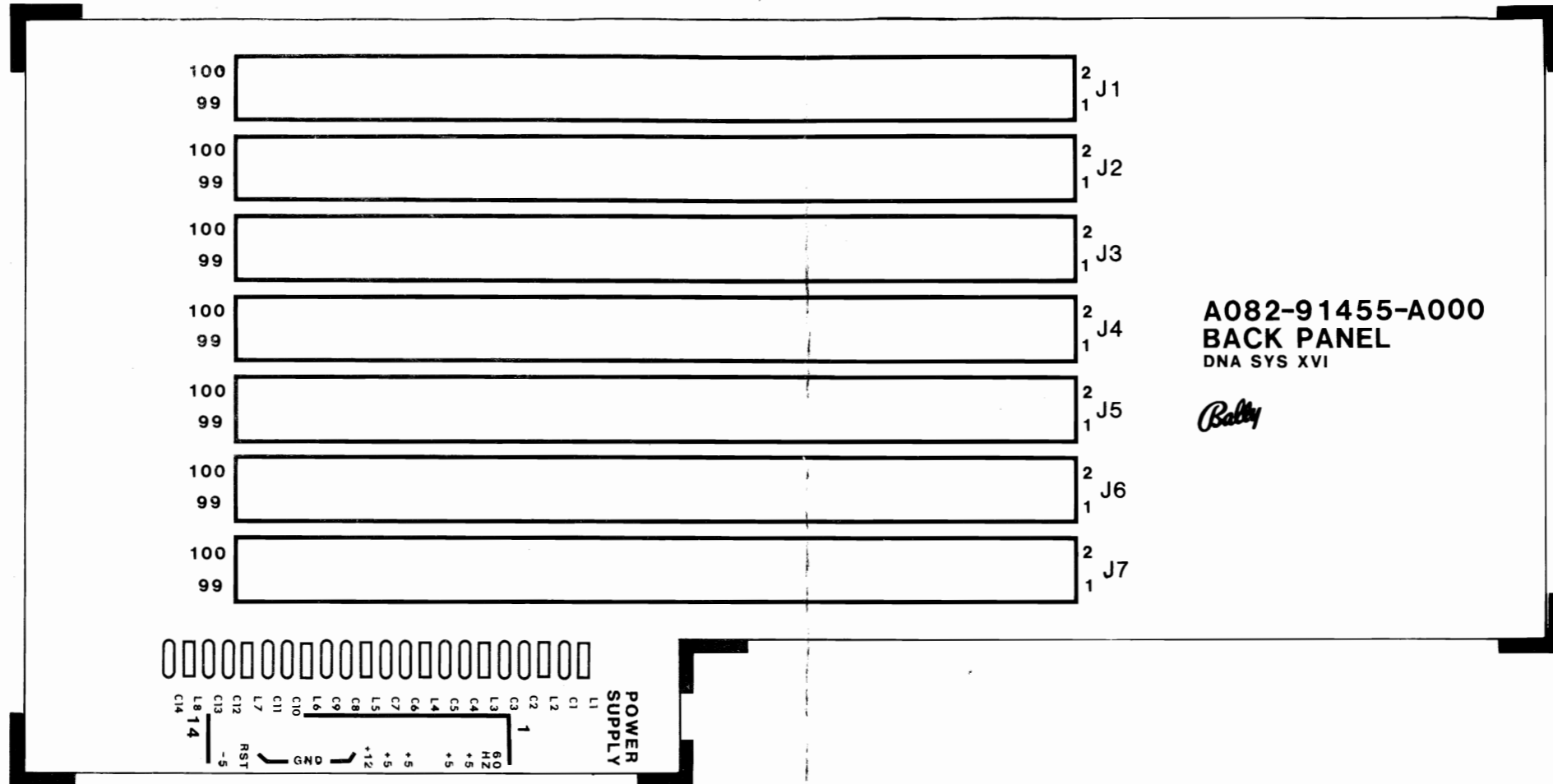
<u>DESCRIPTION</u>	<u>QTY</u>	<u>DESIGNATION NO.</u>	<u>PART NOS.</u>
0.1 MF CER.	1	C3	0945-00816-1905
2.2 MF TANT.	1	C1	0945-00816-1904
2200 MF ELECT.	1	C2	0945-00816-1903
1N4004 DIODE	2	D1, D2	0636-00801-0300
79M05 VOLTAGE REGULATOR	1	HSU1	0945-00813-0601
HEATSINK, CLIP ON	1	HS1	0068-065XX-ABAX
SCREW	1	MHU1	0017-00101-0518
NUT	1		0017-00103-0003
WASHER	1		0017-00104-0003
KK156 4 PIN CONN. OMIT PIN 3	3	J1	0017-00033-0480
AMPHENOL 3 PIN CONNECTOR	1	J2	0017-00021-0443
SPACER	4	MH1-MH4	0017-00042-0328
AUX.-5V FOR 125VA P.C. BOARD	1		A080-91631-B000

REVISIONS		USED ON PROF. PAC.		NO. REQ'D 1 PER	
PROJECT ENG: J. JARON		SCALE FULL		ASSEMBLY DWG.	
DO NOT SCALE DWG.		HEAT TREAT		AUX. -5V FOR 125VA	
DIM. TOLERANCES UNLESS SPECIFIED		MAT'L.		A084 - 91631 - B000	
CONCENTRICITY ± .005		FINISH		PART NO. M051 - 00114 - A074	
FRACTIONAL DECIMAL		DATE		FRANKLIN PK. ILL.	
HOLE DIA ± .002 ± .000		05/18/83		Bally / MIDWAY MFG. CO.	



REVISIONS

PROJECT ENG: J. JARON		USED ON PROF. PAC		<i>Bally</i> / MIDWAY MFG. CO. FRANKLIN PK. ILL.	
DO NOT SCALE DWG.		HEAT TREAT	SCALE FULL		
DIM TOLERANCES UNLESS SPECIFIED DECIMAL ± 0.005 FRACTIONAL ± 0.005 HOLE DIA + 0.02 0.00	DRN. <i>RLW</i>	MAT'L.	SCHEMATIC DWG. AUX -5V FOR I25VA A084-91631-B000		PART NO.
	CKD.	FINISH			M051-00114-A075
DATE 05/18/83					



A082-91455-A000
BACK PANEL
 DNA SYS XVI
Bally

DESIGNATION LIST

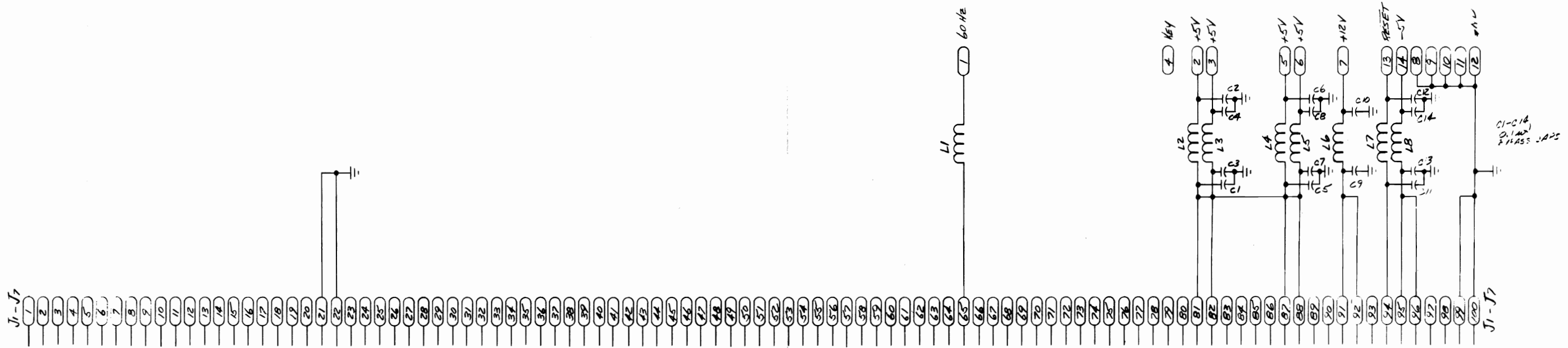
DESIGNATION NO.	DESCRIPTION
C1-C14	0.1 MFD +80-20% AX. CER.
J1-J7	EDGE CONNECTOR
L1-L8	FERRITE BEAD
	NON-REFERENCED KK156-14ST PC BOARD

CROSS REFERENCE LIST

DESCRIPTION	QTY	DESIGNATION NO.	PART NOS.
0.1 MFD	14	C1-C14	0339-00800-0010
FERRITE BEAD	8	L1-L8	0339-00804-0015
100-POS	7	J1-J7	0339-00804-0014
KK156-14ST	1		3000-16367-1400
P.C. BOARD, BLANK	1		A080-91455-A000

REVISIONS	

PROJECT ENG: DAVE OTTO		USED ON PROF. PACMAN		<i>Bally</i> / MIDWAY MFG. CO. FRANKLIN PK. ILL.
DO NOT SCALE DWG.		HEAT TREAT	SCALE FULL	
DIM. TOLERANCES UNLESS SPECIFIED		NO. REQ'D I PER		PART NO. M051 - 00114 - A092
CONCENTRICITY TYP 0.05		ASSY. DWG. BACK PANEL		
FRACTIONAL 1/64		A082-91455-A000		
DECIMAL 0.05		DATE 7 / 5 / 83		
HOLE DIA +.002 .000				



THIS DWG IS CONFIDENTIAL & PROPERTY OF MIDWAY MFG. CO.

DWG TOLERANCES UNLESS OTHERWISE SPEC. CONCENTRICITY T.I.R. .002 FRACTIONAL ± 1/64 DECIMAL ± .005 HOLE DIA. + .002 - .000 ANGLE ± 1/2° DO NOT SCALE DWG	FIRST DESIGNED ON DATE #0339 7/12/83	SCALE	MIDWAY MFG. CO. FRANKLIN PK., IL. 60131 A BALLY CO.	REVISIONS PART NO M051-00114-A093
	CHECKED BY DATE	SCALE		

BACK PANEL PC BD
A082-91455-A000

PROFESSOR PAC-MAN
OPTION SWITCH SETTINGS

/////////////////////////////////LOCATED ON GAME BOARD/////////////////////////////////								
	SW#1	SW#2	SW#3	SW#4	SW#5	SW#6	SW#7	SW#8
* COCKTAIL TABLE ONLY UPRIGHT AND MINI	ON OFF					NOT USED	NOT USED	NOT USED
* FULL RESET NORMAL OPERATION	ON OFF							
* LOCKUP ON ERROR DURING CONTINUOUS TEST NORMAL OPERATION	ON OFF							
* GAME GIVES AUDIO RESPONSE TO TEST RESULTS NO AUDIO RESPONSE	ON OFF							
* GAME USES 32K ROM'S GAME USES 8K & 16K ROM'S	ON OFF							
* INDICATES FACTORY RECOMMENDED SETTINGS						PART NO. M051-00573-A007		

THE REMAINDER OF YOUR NEW GAME'S MOST COMMON OPTION SETTINGS ARE CONDUCTED DURING THE THE SELF-TEST MODE AND WILL BE COVERED IN DETAIL IN THAT SECTION OF YOUR MANUAL.