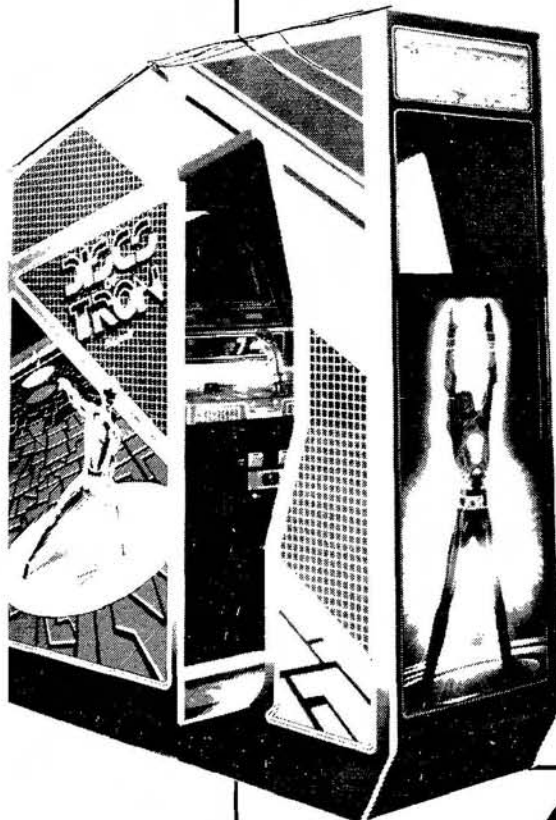


August 1983
Game No's. 696-383



Parts and Operating Manual

Bally

MIDWAY MFG. CO.

10601 W. Belmont Avenue
Franklin Park, Illinois 60131
U.S.A.



Phone: (312) 451-9200 Cable Address: MIDCO Telex No.: 72-1596

WARNING

THIS GAME MUST BE GROUNDED. FAILURE TO DO SO MAY RESULT IN DESTRUCTION TO ELECTRONIC COMPONENTS.

WARNING: This equipment generates, uses, and can radiate radio frequency energy and if not used in accordance with the instructions manual, may cause interference to radio communications. It has been tested and found to comply with the limits for a CLASS A computing device pursuant to SUBPART J of PART 15 of FCC RULES, which are designed to provide reasonable protection against such interference when operated in a commercial environment. Operation of this equipment in a residential area is likely to cause interference in which case the user at his own expense will be required to take whatever measures may be required to correct the interference.

ELECTRICAL BULLETIN: FOR ALL APPARATUS COVERED BY THE CANADIAN STANDARDS ASSOCIATION (CSA) STANDARD C22.2 NO. 1, WHICH EMPLOYS A SUPPLY CORD TERMINATED WITH A POLARIZED 2-PRONG ATTACHMENT PLUG.

CAUTION: TO PREVENT ELECTRIC SHOCK DO NOT USE THIS (POLARIZED) PLUG WITH AN EXTENSION CORD, RECEPTACLE OR OTHER OUTLET UNLESS THE BLADES CAN BE FULLY INSERTED TO PREVENT BLADE EXPOSURE.

ATTENTION: POUR PREVENIR CHOCS ELECTRIQUES NE PAS UTILISER CETTE FICHE POLARISEE AVEC UN PROLONGATEUR, UNE PRISE DE COURANT OU UNE AUTRE SORTIE DE COURANT, SAUF SI LES LAMES PEUVENT ETRE INSEREES A FOND SANS EN LAISSER AUCUNE PARTIE A DECOUVERT.

Bally MIDWAY

Invites You To Use

**OUR TOLL FREE NUMBERS FOR
SERVICE INFORMATION CONCERNING THIS GAME, OR ANY
OTHER BALLY MIDWAY GAME YOU NOW HAVE ON LOCATION.**

**CALL US FOR PROMPT, COURTEOUS
ANSWERS TO YOUR PROBLEMS.**

VIDEO → Continental U.S. 1-800-323-7182

PINBALL → Continental U.S. 1-800-323-3555

Bally MIDWAY

10601 West Belmont Avenue Franklin Park, Illinois, 60131 phone (312)451-9200

© COPYRIGHT MCMLXXXIV BY BALLY MIDWAY MFG. CO.

ALL RIGHTS RESERVED

NO PART OF THIS PUBLICATION MAY BE REPRODUCED BY ANY MECHANICAL, PHOTOGRAPHIC, OR ELECTRONIC PROCESS, OR IN THE FORM OF A PHONOGRAPHIC RECORDING, NOR MAY IT BE TRANSMITTED, OR OTHERWISE COPIED FOR PUBLIC OR PRIVATE USE, WITHOUT PERMISSION FROM THE PUBLISHER. THIS MANUAL IS FOR SERVICE USE ONLY, AND NOT FOR GENERAL DISTRIBUTION. FOR PERMISSION REQUESTS, WRITE: BALLY MIDWAY MFG. CO., 10601 W. BELMONT AVE., FRANKLIN PARK, IL 60131

Printed in U.S.A.

TABLE OF CONTENTS

DESCRIPTION	PAGE
I. Game Operation	
Attract Mode	1-1
Ready-to-Play Mode	1-3
Play Mode	1-3
Two Player Operation	1-5
II. Illustrated Parts Breakdown	
No.696-Discs Of Tron Upright-Front	2-2
No.696-Discs Of Tron Upright-Front Parts List	2-3
No.696-Discs Of Tron Upright-Rear Access	2-5
No.696-Discs Of Tron Upright-Rear Access Parts List	2-6
No.383-Discs Of Tron Environmental-Front	2-8
No.383-Discs Of Tron Environmental-Front Parts List	2-9
No.383-Discs Of Tron Environmental-Rear Access	2-11
No.383-Discs Of Tron Environmental-Rear Access Parts List	2-12
No.383-Discs Of Tron Environmental-Control Area	2-14
No.383-Discs Of Tron Environmental-Control Area Parts List	2-15
Visual Effects Piece Parts Assembly	2-17
Discs Of Tron-Control Grip Assembly	2-18
Discs Of Tron-Control Grip Assembly-Parts List	2-19
Discs Of Tron-Optical Encoder Knob Assembly	2-20
Discs Of Tron-Optical Encoder Knob Assembly-Parts List	2-21
Power Chassis Assembly-125VA.,115V	2-22
Power Chassis Assembly-125VA.,115V.-Parts List	2-23
U.S.A. 25¢-Front Door Assembly	2-24
U.S.A. 25¢-Front Door Assembly-Parts List	2-25
III. Wiring Diagrams And Schematics	
Wiring Diagram-Upright	3-3
Wiring Diagram-Environmental	3-4
Sound I/O-P.C.B.-Component Layout	3-5
Sound I/O-P.C.B.-Schematic	3-6
Programmed C.P.U.-P.C.B.-Component Layout	3-7
Programmed C.P.U.-P.C.B.-Schematic	3-8
Video Generator-P.C.B.-Component Layout	3-9
Video Generator-P.C.B.-Schematic	3-10
Squalk & Talk-P.C.B.-Component Layout	3-11
Squalk & Talk-P.C.B.-Schematic	3-12
Lamp Sequential-P.C.B.-Component Layout-Environmental	3-13
Lamp Sequential-P.C.B.-Schematic-Environmental	3-14
Fluorescent Control-P.C.B.-Component Layout-Environmental	3-15
Fluorescent Control-P.C.B.-Schematic-Environmental	3-16
Relay Control-P.C.B.-Component Layout-Environmental	3-17
Relay Control-P.C.B.-Schematic-Environmental	3-18
Dual Power Amp W/Mixer-Component Layout	3-19
Dual Power Amp W/Mixer-Schematic	3-20
Auxiliary Power Supply-Component Layout	3-21
Auxiliary Power Supply-Schematic	3-22
125VA.-Power Supply Board-Component Layout	3-23
125VA.-Power Supply Board-Schematic	3-24
125VA.-Power Chassis-Upright & Environmental-Schematic	3-25

DISCS OF TRON

GAME OPERATION

ATTRACT MODE

1. The Attract mode starts:

Just after power has been turned on to the game. (Self-Test switch is in the "OFF" position.)

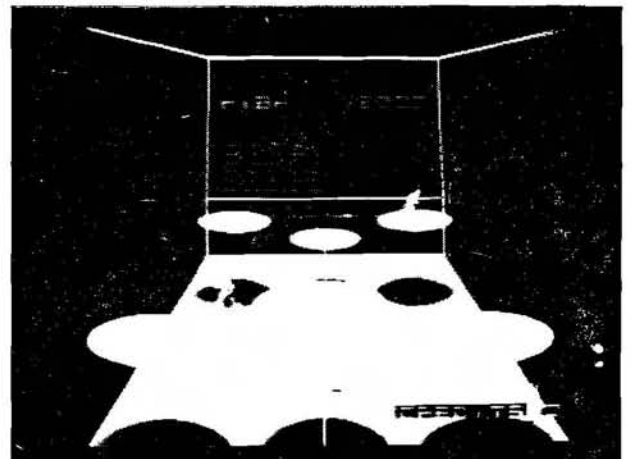
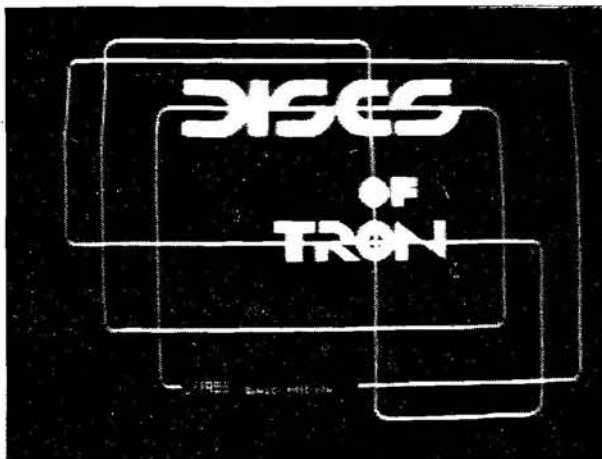
After a Self-Test has been completed and there are no more credits left in the games memory.

After a play has been finished, the score was not high enough to put the game into the

High Score/Initial mode, and there are no more credits left in the games memory.

After the High Score/Initial mode when there are no more credits left in its memory.

In the Attract mode, the game will give the following displays *centered* on the monitor screen:



CREDIT PER PLAYER

INSERT COIN

DISCS OF TRON[®]
ALL RIGHTS RESERVED
BALLY MIDWAY INC. CO.
COPYRIGHT 1982 BALLY MIDWAY INC.

CREDITS 2

TO DEFEAT DANCE:
HOLD IN DEFEAT BUTTON
HIT DANCERS 2 TIMES
TO DESTROY THEM







HIT BUNK 2 TIMES TO ADVANCE
DANCING BUNK IS NOT A HIT

CREDITS 2

WHEN THE RING PLATFORMS
COME UP OR DOWN
CHANGE TARGET LEVEL BY
MOVING THE WHEEL UP OR DOWN

CREDITS 2

POINT VALUES

	HIT BUNK	1000
	DANCE BUNK	2000
	HIT A BUNK DISC	1000
	ENERGY PELLETS	2000
	DANCERS	4000
	SUPER DANCERS	8000

CREDITS 2

RANKINGS

1	BD	12000
2	BC	10200
3	AS	5500
4	AM	5400
5	BL	6400
6	AA	6000
7	DS	7200
8		5500
9	ES	5300
10	AA	3500

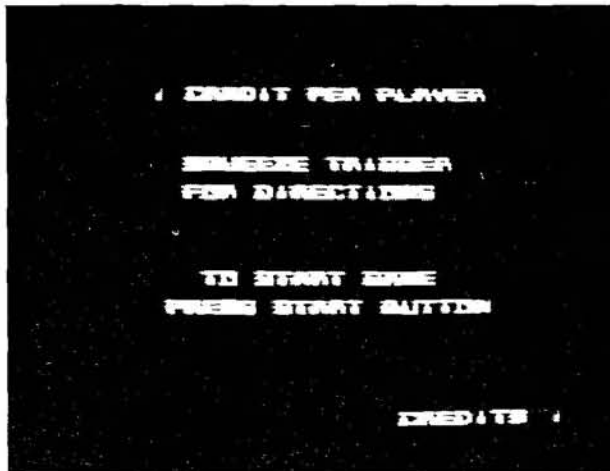
CREDITS 2

DIRECTIONS

YOU ARE TRON IN BLUE
BUNK IS DAT TO DEFEAT YOU!
THROW DISCS AND HIT HIM
POSITION RING TARGET
ON BALL WITH WHEEL
AND TURN WITH TRIGGER

CREDITS 2

□ No matter where the game is in the Attract mode sequence, it will immediately go to the following display as soon as a game has been paid for. This display will remain on the monitor screen until the "1 PLAYER" or the "2 PLAYER" start button is pressed.



READY-TO-PLAY MODE

1. The **Ready-To-Play mode starts** when enough coins have been accepted for a 1 or a 2 player game.
2. The **Ready-To-Play mode ends** when either the "1 PLAYER" or the "2 PLAYER" push button is pressed.
3. In the Ready-To-Play mode, the game will give the above displays *centered* on the monitor screen.
4. If no START button is pressed, the displays will remain indefinitely on the monitor screen as shown above.

PLAY MODE

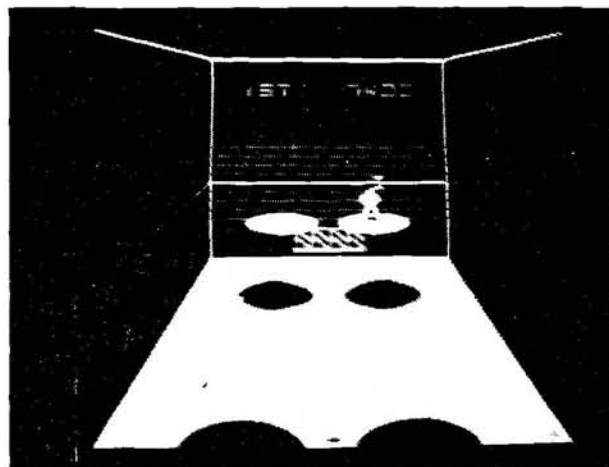
1. The **Play mode begins** when either the "1 PLAYER" or the "2 PLAYER" start button is pressed. (The game displays a message as to when **BONUS PLAYERS** are awarded.)
2. The **Play mode ends** when all of your PLAYERS have been eliminated. When this happens, "PLAYER 1" "GAME OVER" is written across the *center* of the monitor screen.

3. **ON THE SCREEN:** The game is made up a completely enclosed square ARENA, this includes the top and bottom. A varying number of RINGS (raised platforms) are inside this ARENA, depending what rack you are in. Each PLAYER has the same number of RINGS as his opponent. There is a line that runs around the inside center of this ARENA with a moveable target on it. As you advance into the higher racks of the game, obstacles appear between you and your opponent. Several other things also happen as you advance even farther into the more difficult racks of the game: the RINGS are at different heights, the target line can be moved up and down, and your PLAYER'S DISCS can be bounced off the ceiling and floor of the ARENA.

At the beginning of each rack, when a 2 PLAYER game has been selected, the game tells which player is up.

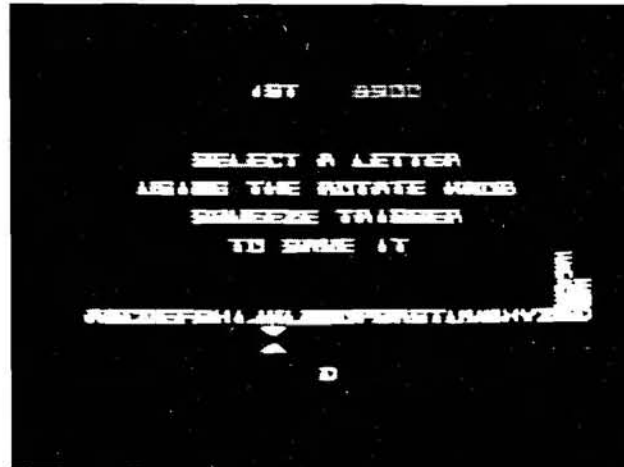
During each rack of play, the monitor constantly indicates on screen the number of PLAYERS that are playing any particular game, the number of reserve men each PLAYER has remaining to him, the number of shield deflections each PLAYER has left, which PLAYER is currently up, and a running total of the SCORE(s).

NOTE: The number of credits still remaining on the game is **ONLY** displayed in the Ready-To-Play mode.



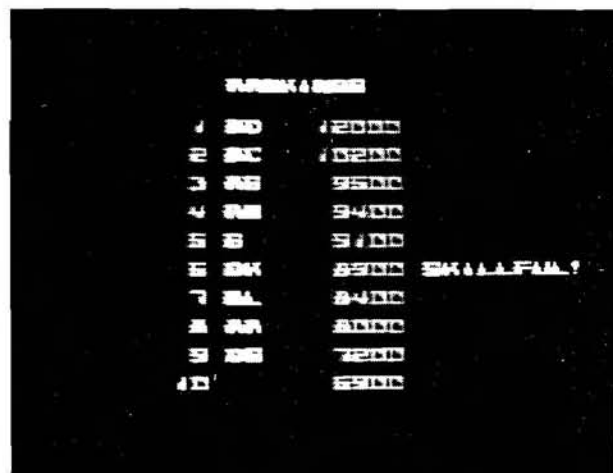
4. **PLAY BEGINS:** The ARENA appears on the monitor screen. Then the RINGS, moveable target, and the opponents appear on their RINGS. Now you must throw your DISCS at your opponent trying to knock him off his RING(s). If you can knock him off his RING(s) 3 successive times in a row, you will advance to the next rack (which is more difficult).
5. **DEFENSES:** Your opponent has quite a variety of things he can use to try to knock you off your RING(s). What these are is fully explained in the "INSTRUCTIONS" mode of the game. What, if any, DEFENSES you have against each one is also explained there.
6. **YOUR PLAYER:** He can move in ANY DIRECTION on the screen within the limits of his RING(s). Be careful though, if you try to make your PLAYER go too close to the edge of his RING(s), he can fall off - costing you one player. His movements are controlled by the joy stick on the games control panel.
7. **JOY STICK CONTROLLER:** This controls the direction your PLAYER will move in on his RING(s); either left, right, forward, or back. The TRIGGER on this CONTROLLER makes your player throw a DISC each time it is squeezed (**3 DISCS ARE ALL YOUR PLAYER HAS TO THROW** - after they are thrown, they **MUST** return to your player **BEFORE** they can **again** be thrown). There is also a SHIELD BUTTON on the top of this CONTROLLER which allows your PLAYER to deflect certain of your opponents weapons.
8. **TARGET CONTROLLER:** By using the TARGET CONTROLLER (knob at left side of Control Panel) you can position the moveable target at any location you desire on the walls of the ARENA.
9. **BONUS PLAYERS:** These can be awarded to the PLAYER as he reaches or passes certain preselected point values. This feature is adjustable by the games Owner/Operator.
10. **PLAY ENDS:** When your last PLAYER is eliminated, "PLAYER 1" "GAME OVER" is written across the center of the monitor screen.
11. **HIGH SCORE/INITIAL MODE:** If your score was high enough to become one of the ten best scores, the game will go into the High Score/Initial mode immediately after the above display. If your score is not high enough to cause the game to go into the High Score/Initial mode, it will either go to the Attract mode (if there are no more credits

left in its memory) or into the Ready-To-Play mode (if there are still credits left in its memory). In the High Score/Initial mode the game gives a display which looks like that shown.



Follow the ON-SCREEN instructions to enter your initials next to your score in the league of the best ten players to date.

When you've printed out your last initial, move the cursor opposite the "END" word and activate the same control you did to enter your initials. This tells the game you are through printing out your initials. The game will then give the following RANKINGS display showing your score opposite your ranking and your initials.



NOTE: If you don't tell the game you are through printing out your initials as instructed above, the game will automatically go into the RANKINGS display after a short wait.

After the High Score/Initial mode, the game will either go to the Attract mode (if there are no more credits left in its memory) or into the Ready-To-Play mode (if there are still credits left in its memory).

12. Most of the above holds true in the "2 PLAYER" mode also. But there are a few minor differences.

TWO PLAYER OPERATION

The Upright and Cocktail Table models all have two player operation (the **ENCLOSED** Upright model **only** has single player operation).

In the two player mode, the rules of play are the same as in the single player mode. There are some additional rules, however.

1. In the Upright models, the players must take turns at the controls.
2. In the Cocktail Table model, each player has his own set of individual controls. The picture will flip to face you when it is your turn. (When it is not your turn, your set of controls will have **NO** effect on the game.)
3. Your turn lasts until your **PLAYER** is eliminated. At this point, the game will do one of several things depending on whether or not the eliminated **PLAYER** was your last or if you still have others remaining in reserve.

PLAYER ELIMINATED - OTHERS REMAINING IN RESERVE

- The game stops and "**PLAYER** " is displayed on the screen.
- Next, the other players pattern and Opponents appear on the monitor screen and game play begins for the other player.

PLAYER ELIMINATED - NO OTHERS REMAINING IN RESERVE

- Game displays: "**PLAYER** " "**GAME OVER**" on the monitor screen.
- Next, if your score was high enough, the game will go into the HIGH SCORE/INITIAL mode. After this, it will indicate that the remaining **PLAYER** is up, that players pattern and Opponents appear on the monitor screen, and game play begins for him.

- If your score was not high enough to cause the game to go into the HIGH SCORE/INITIAL mode, it will indicate that the remaining **PLAYER** is up, that players pattern and Opponents appear on the monitor screen, and game play begins for him.

LAST PLAYER'S LAST PLAYER ELIMINATED - NO OTHERS REMAINING IN RESERVE

- Game displays: "**PLAYER** " "**GAME OVER**" on the monitor screen.
- Next, if your score was high enough, the game will go into the HIGH SCORE/INITIAL mode and then either to the Attract mode (if there are no more credits left in its memory) or into the Ready-To-Play mode (if there are still credits left in its memory).
- If your score was not high enough to cause the game to go into the HIGH SCORE/INITIAL mode, the game will either go to the Attract mode (if there are no more credits left in its memory) or into the Ready-To-Play mode (if there are still credits left in its memory).

RACK ADVANCE

Your **NEW** game is equipped with a **RACK ADVANCE** feature that can allow you to view and/or play the higher racks for test purposes. It is activated in the following manner:

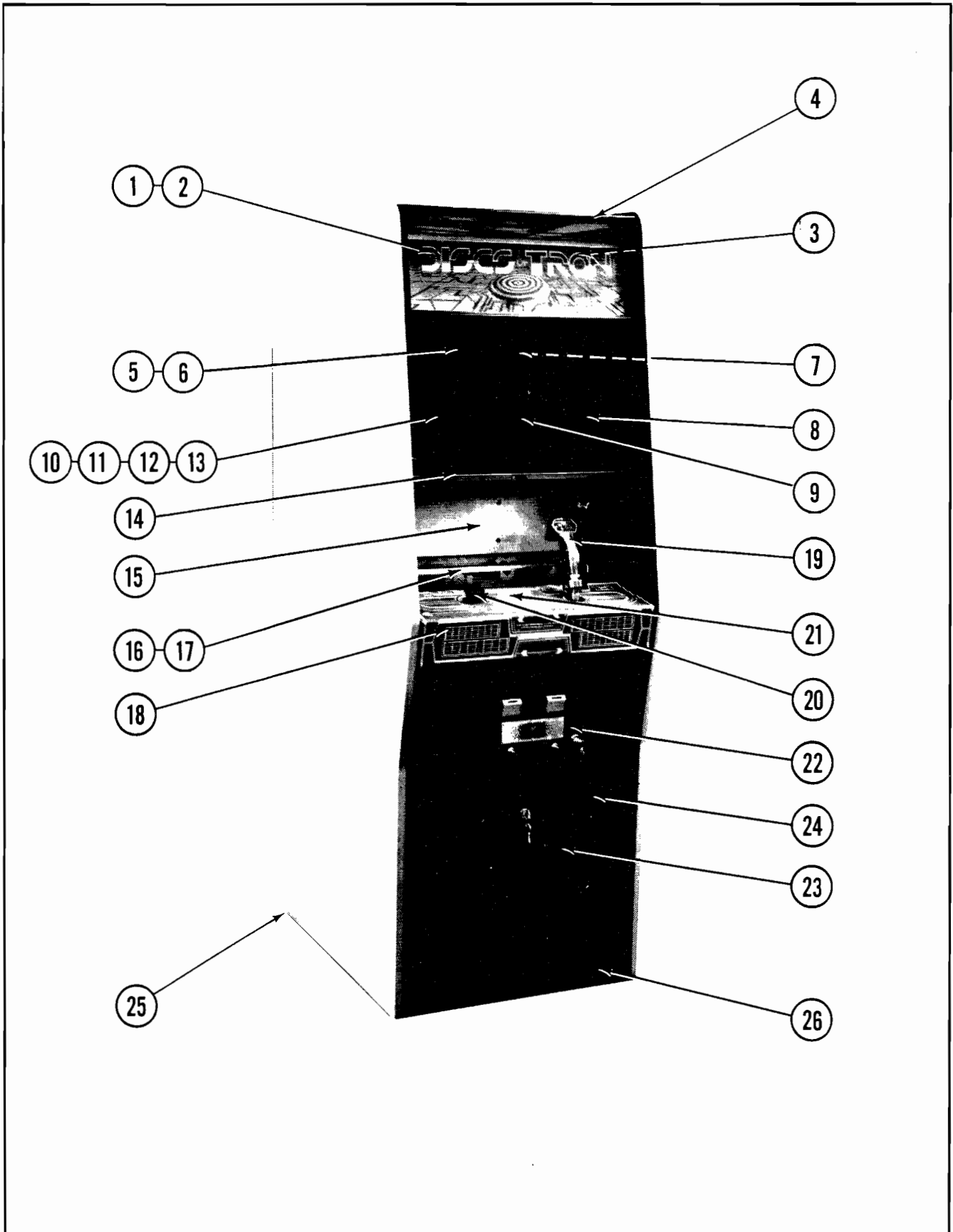
1. Turn the power to the game "ON".
2. Open the coin door.

NOTE: COCKTAIL TABLE MODELS ONLY - gently pull out the plunger on the Safety Interlock Switch located just inside the coin door.

3. Using the Test Credit Button, put a credit on the game.
4. Press the "1 PLAYER" start button.
5. **IMMEDIATELY** set the games Self-Test switch to the "ON" position.
6. By pressing **EITHER ONE** or **BOTH** the "1 PLAYER" and/or "2 PLAYER" start button(s) you can make the game advance to the next rack (repeat for each rack you wish to advance).
7. When finished, set the Self-Test switch back to the "OFF" position, and close and lock the coin door.

II. Illustrated Parts Breakdown

NO. 696 - DISCS OF TRON UPRIGHT - FRONT



NO. 696 - DISCS OF TRON UPRIGHT - FRONT - PARTS LIST

ORDER BY PART NUMBER ONLY

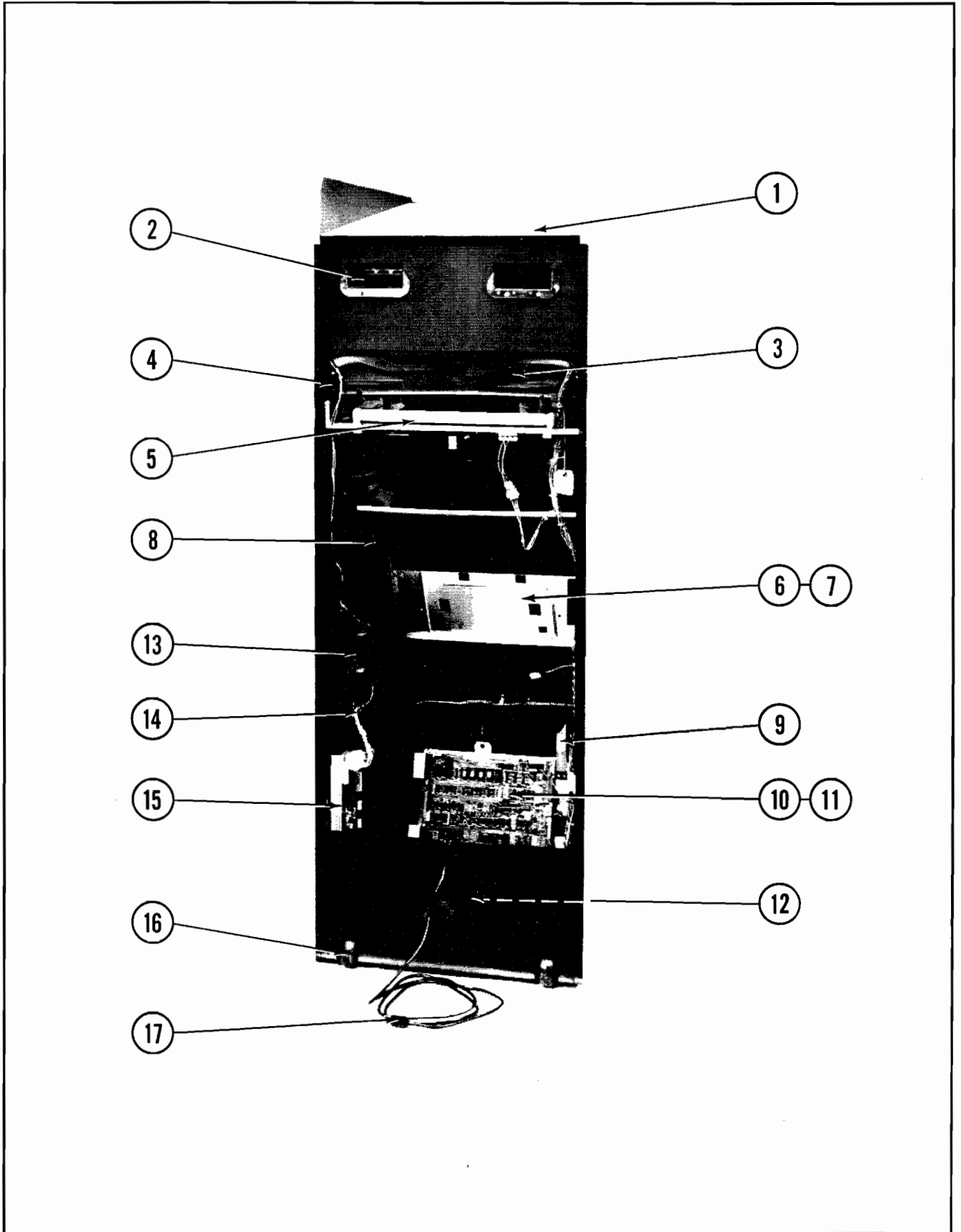
ITEM	PART NUMBER	DESCRIPTION
1	0696-00901-00XF	HEADER GLASS - 23"x8-5/8"x3/16"
2	0383-00908-0000	3-D DECORATIVE HEADER - 22"x8-5/8"
3	A696-00041-0000	HEADER FLUORESCENT LIGHT ASSY.
	0696-00115-0000	FLUOR. BRKT.
	0017-00003-0043	18" COOL WHITE FLUOR. LAMP
	0017-00031-0036	FLUOR. SOCKET (2 REQ'D)
	0017-00003-0445	LAMP SOCKET LOCKS (2 REQ'D)
	0017-00003-0019	STARTER
	0017-00003-0412	STARTER SOCKET W/12" LEAD
	0017-00003-0026	BALLAST
	A961-00042-0000	LINE FILTER ASSY.
4	0574-00903-0100	HEADER RETAINING BRKT. (2 REQ'D)
	0017-00101-0138	#8x5/8 TORX TAMPER RESISTANT SCREW (8 REQ'D)
	0017-00009-0522	LONG ARM KEY T-20 (FOR ABOVE SCREW)
5	0017-00009-0393	BLACK SPEAKER GRILLE W/SLOTS (2 REQ'D)
6	0017-00003-0430	6"x9" SPEAKER - 4 OHM., LOW (2 REQ'D)
	0017-00101-0127	#8-32x1-1/2 CARRIAGE BOLT (8 REQ'D)
	0017-00103-0061	#8-32 HEX NUT W/SEMS (8 REQ'D)
7	0696-00048-0000	ARENA BLACK LIGHT W/O FILTER ASSY. (LOCATED BEHIND SPEAKERS
	0696-00118-0000	FLUOR. BRKT.
	0017-00003-0095	18" BLACK LIGHT LAMP
	0017-00003-0019	STARTER
	0017-00003-0412	STARTER SOCKET W/12" LEAD
	0017-00003-0026	BALLAST
	A961-00042-0000	LINE FILTER
8	0696-00915-0100	SIDE SCENERY - RIGHT
	0696-00915-0200	SIDE SCENERY - LEFT (OPPOSITE SIDE)
9	0696-00917-00XF	MAIN VIEWING GLASS - 23"x16-1/4"x3/16"
	0696-00121-00XF	GLASS HOLDING BRKT.
10	0383-00913-0000	MIRROPANE - 23-1/32"x19-11/16"x1/4"
	0696-00110-0000	MIRROR HOLD DOWN BRKT. (2 REQ'D)
11	0383-00901-00XF	SCENERY - RED (NOT SEEN) - 23-1/16"x17-1/2"x1/8"
	0696-00111-0000	RED SCENERY HOLD DOWN BRKT.
	0696-00109-0000	SCENERY HOLD DOWN BRKT.
12	0383-00902-00XF	SCENERY - BLUE (NOT SEEN) 23-1/16"x17"x1/8"
	0696-00110-0000	MIRROR HOLD DOWN BRKT. (2 REQ'D)
13	0383-00904-0000	SCENERY - REAR
	0383-00924-0000	SCENERY SUPPORT CHANNEL (2 REQ'D)
	0383-00115-00XF	SCENERY TRAP BRKT. (2 REQ'D)
14	0696-00909-0000	MONITOR BEZEL
15	0696-00120-00XF	GLASS RETAINER
	0017-00101-0138	#8x5/8 TORX PAN HD SCREW (6 REQ'D)
16	0696-00914-00XF	LAMP PROTECTOR
	0383-00102-0000	LAMP SHIELD BRKT.

NO. 696 - DISCS OF TRON UPRIGHT - FRONT - PARTS LIST

ORDER BY PART NUMBER ONLY

ITEM	PART NUMBER	DESCRIPTION
17	A696-00047-0000	CONTROL LIGHT ASSY.
	0696-00117-0000	FLUORESCENT BRKT.
	0017-00003-0095	18" BLACK LIGHT LAMP
	0383-00110-0000	REFLECTOR
	0017-00031-0036	FLUORESCENT SOCKET (2 REQ'D)
	0017-00003-0445	LAMP SOCKET LOCKS (2 REQ'D)
	0017-00003-0019	STARTER
	0017-00003-0412	STARTER SOCKET W/12" LEAD
	0017-00003-0026	BALLAST
	A961-00042-0000	LINE FILTER ASSY.
18	A696-00024-0000	CONTROL SHELF WELDMENT ASSY.
	0696-00906-0000	DECORATIVE OVERLAY
	A696-00036-0000	CONTROL CABLE W/TERMINAL STRIP ASSY.
	0696-00106-0100	CONTROL SHELF MTG BRKT. - RIGHT
	0696-00106-0200	CONTROL SHELF MTG BRKT. - LEFT
	0555-00901-0000	PLASTIC LOCATING PIN (4 REQ'D)
	0017-00009-0534	BASSICK CLAMP (3 REQ'D)
	0017-00101-0141	#8x11/16 UNSLOT HEX HD SCR (12 REQ'D)
	0316-00903-0000	CONTROL SHELF STRAP
	0383-00101-0000	CONTROL SHELF BACKUP BRKT.
19	A696-00007-0000	GRIP W/SWITCH ASSY.
	A696-00022-0000	CONTROL ASSY.
20	A696-00029-0000	KNOB & SHAFT ASSY.
	A696-00028-0000	OPTICAL ENCODER DISC ASSY.
21	0017-00042-0260	PUSH BUTTON ASSY.
	0017-00032-0093	PUSH BUTTON SWITCH W/HOLDER
	0017-00103-0054	5/8-11 PAL NUT
	0017-00104-0026	FLAT WASHER
	0017-00100-0025	1/4" E-RING
22	A982-00014-0004	U.S.A. COIN DOOR ASSY. W/CABLE ASSY.
	A982-00015-0000	COIN DOOR CABLE ASSY.
23	A090-00605-0000	CASH BOX DOOR & LOCK ASSY.
	A090-00606-0000	CASH BOX & PULL ASSY.
	0090-00189-0000	CASH BOX ENCLOSURE
24	A090-00603-00XF	COIN DOOR FRAME ASSY.
	0017-00101-0121	#6-32x5/16 PHIL TRS HD SCR (8 REQ'D)
25	0017-00102-0048	3/8-16x2" LEG LEVELERS (4 REQ'D)
25	0017-00102-0048	3/8-16x2" LEG LEVELERS (4 REQ'D)
	0017-00103-0026	3/8-16 LEVELER HEX NUTS (4 REQ'D)
26	0935-00906-0500	KICK PLATE - 23-1/8" LG

NO. 696 - DISCS OF TRON UPRIGHT - REAR ACCESS



NO. 696 - DISCS OF TRON UPRIGHT - REAR ACCESS - PARTS LIST

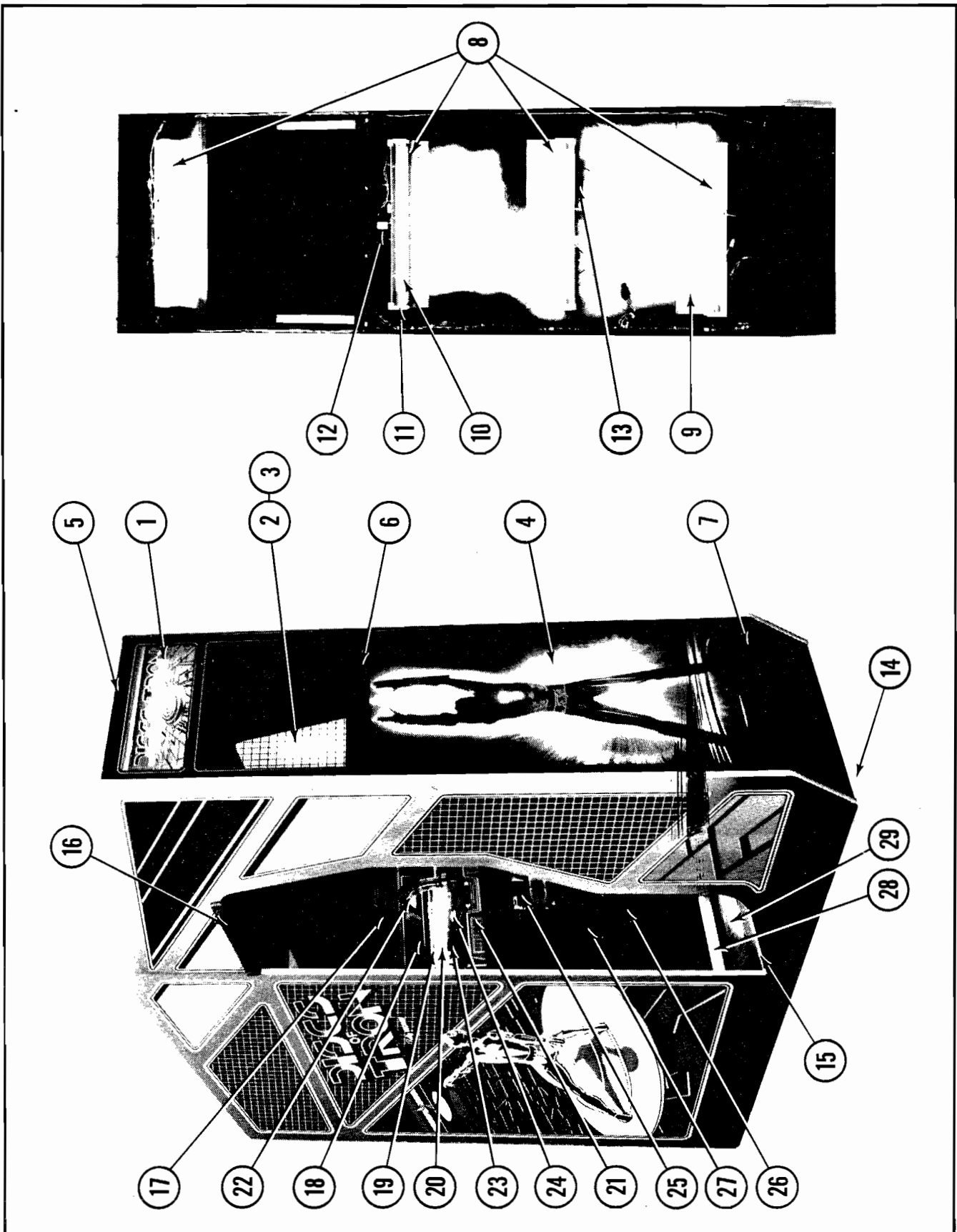
ORDER BY PART NUMBER ONLY

ITEM	PART NUMBER	DESCRIPTION
1	A945-00038-0000	ON-OFF SWITCH PLATE ASSY.
2	0894-00916-0000	PLASTIC PULL & ENT (2 REQ'D)
	0017-00101-0141	#8x11/16 UNSLOT HEX HD M.S. (8 REQ'D)
3	0383-00904-0000	REAR SCENERY
4	0383-00115-00XF	SCENERY TRAP BRKT.
5	A696-00049-0000	REAR SCENERY FLUOR. LIGHT ASSY.
	0696-00119-0000	REAR FLUORESCENT BRKT.
	0017-00003-0043	18" COOL WHITE FLUOR. LAMP
	0017-00031-0036	FLUORESCENT SOCKET (2 REQ'D)
	0017-00003-0445	LAMP SOCKET LOCKS (2 REQ'D)
	0017-00003-0019	STARTER
	0017-00003-0412	STARTER SOCKET
	0017-00003-0026	BALLAST
	A961-00042-0000	LINE FILTER ASSY.
6	0017-00003-0339	ELECTROHOME 19" COLOR DUAL SYNC HORIZ. MTG. MONITOR (OR)
6	0017-00003-0439	WELLS-GARDNER 19" COLOR DUAL SYNC HORIZ. MTG. MONITOR (OR)
6	0017-00003-0454	ZENITH 19" COLOR DUAL SYNC HORIZ. MTG. MONITOR
	0636-00101-0000	MONITOR RAIL (2 REQ'D)
	0555-00901-0000	PLASTIC LOCATING PIN (4 REQ'D)
7	0696-00913-0000	MONITOR SHIELD
8	0696-00910-0000	REAR MASK
9	A088-00016-0000	INTERLOCK SWITCH & SPRING BRKT. ASSY.
	0303-00904-0000	INTERLOCK SWITCH COVER
10	A696-00008-0000	CARDRACK ASSY. W/BOARDS
	A084-90913-A696	SOUND I/O P.C. BRD. ASSY.
	A639-00060-0000	SHIELD & BARRIER ASSY.
	0017-00101-0134	#6-32x1/4 SLT. HEX HD. M.S. (4 REQ'D)
	A084-91490-A696	PROGR. CPU P.C. BRD. ASSY.
	A358-00016-0000	SHIELD & SPACER ASSY. - INNER
	A084-91464-A696	VIDEO GENERATOR P.C. BRD. ASSY.
	A358-00017-0000	SHIELD & SPACER ASSY. - OUTER
	0017-00101-0153	#6-32x1" SLT. HEX HD. M.S. (8 REQ'D)
11	A383-00020-0000	SUPPORT BRKT. ASSY. - TOP OF CARDRACK
12	A945-00020-0000	POWER CHASSIS ASSY. - 125VA., 115V
13	A084-91648-A000	DUAL POWER AMP W/MIXER ASSY.
14	A084-91631-B000	AUXILIARY POWER SUPPLY BOARD
15	A084-90412-D000	POWER SUPPLY P.C. BRD. ASSY. - 125VA
	0624-00902-0100	P.C. SUPPORT BRKT. - 12" LG (2 REQ'D)
	0624-00902-0300	P.C. SUPPORT BRKT. - 2-1/2" LG (2 REQ'D)
	0624-00902-0500	P.C. SUPPORT BRKT. - 6-1/2" LG (4 REQ'D)
	0017-00104-0037	#8 FLAT WASHER (14 REQ'D)
	0017-00101-0141	#8x11/16 UNSLOT HEX HD SCREW (14 REQ'D)
16	A961-00007-0000	CASTER ASSY. (2 REQ'D)
17	A945-00019-0000	LINE CORD ASSY. - 115V

NO. 696 - DISCS OF TRON UPRIGHT - REAR ACCESS - PARTS LIST

ORDER BY PART NUMBER ONLY

ITEM	PART NUMBER	DESCRIPTION
		ADDITIONAL PARTS LIST
	A097-00009-0000	BACK DOOR LOCK ASSY.
	0017-00009-0490	5-5/8" SQR VENT GRILLE (BACK DOOR)
	A696-00012-0000	MASTER CABLE W/BRKT. ASSY.
	A696-00014-0000	HIGH VOLTAGE CABLE ASSY.
	A941-00008-0000	LOW VOLTAGE CABLE ASSY.
	A337-00018-0000	VIDEO CABLE ASSY.
	A696-00034-0000	AUDIO ADAPTER CABLE ASSY.
	A696-00010-0000	CONTROL SHELF CABLE ASSY.



NO. 383 - DISCS OF TRON ENVIRONMENTAL - FRONT - PARTS LIST

ORDER BY PART NUMBER ONLY

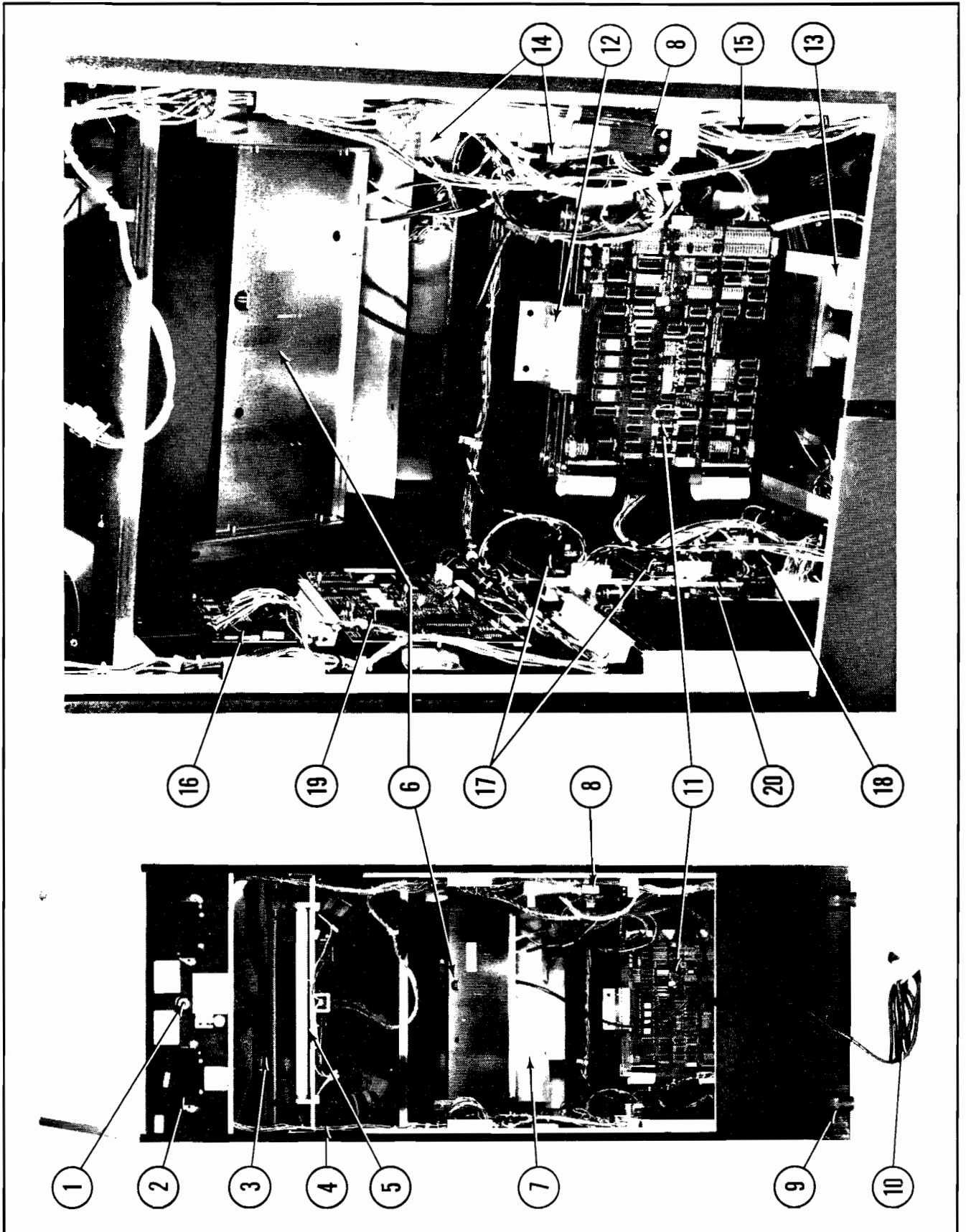
ITEM	PART NO.	DESCRIPTION
1	0383-00908-0000	3-D DECORATIVE HEADER 22"x8-5/8"
2	0383-00907-00XF	FRONT GLASS -23"X25-17/32"x3/16"
3	R901-30000-0025	PLAIN TEMPERED GLASS - 23"x16-19/32"x1/8"
4	0383-00906-00XF	BILLBOARD GLASS - 23"x39-23/32"x3/16"
5	0383-00109-00XF	HEADER BRACKET
6	0383-00107-00XF	BILLBOARD BRACKET
7	0383-00112-00XF	GLASS RETAINER
	0017-00101-0138	#8x5/8 TORX TAMPER RESISTANT SCREW (11 REQ'D.)
	0017-00009-0522	LONG ARM KEY T-20 (FOR ABOVE SCREW)
8	A383-00018-0000	HEADER LIGHT W/O LINE FILTER (4 REQ'D.)
	A383-00022-0000	FLUOR. W/O FILTER CABLE ASSY.
9	0595-00105-0000	FLUORSCENT BRKT.
10	0017-00003-0043	18" COOL WHITE FLUOR. LAMP
11	0017-00031-0036	FLUORSCENT SOCKET (2 REQ'D.)
	0017-00003-0445	LAMP LOCK (2 REQ'D.)
12	0017-00003-0019	STARTER
	0017-00003-0412	STARTER HOLDER
13	0017-00003-0026	BALLAST
14	0017-00102-0048	3/8-16x2" LEG LEVELERS (6 REQ'D.)
	0017-00103-0026	3/8-16 LEVELER HEX NUTS (6 REQ'D.)
15	0383-00116-0000	T-MOLDING GUARD (2 REQ'D.)
	0017-00101-0192	#8-32x1/2 PHIL. PAN HD. SCREW (6 REQ'D.)
16	0383-00923-0000	BUMPER (2 REQ'D.)
	0017-00101-0088	#8x3/4 BLACK PHIL. FLAT HD. SCREW (12 REQ'D.)
17	0383-00915-00XF	MAIN VIEWING GLASS
18	0383-00112-00XF	GLASS RETAINER
19	0383-00912-00XF	LAMP PROTECTOR
20	A696-00038-0000	CONTROL FLUOR. BLACKLIGHT W/O LINE FILTER
21	A383-00010-0000	CONTROL SHELF WELDMENT ASSY.
	0383-00900-0000	DECORATIVE OVERLAY
	A383-00005-0000	CONTROL SHELF CABLE ASSY.
	0595-00106-0100	CONTROL SHELF MTG. BRKT. - RIGHT
	0595-00106-0200	CONTROL SHELF MTG. BRKT. - LEFT
	0555-00901-0000	PLASTIC LOCATING PIN (4 REQ'D.)
	0017-00009-0534	BASSICK CLAMP (3 REQ'D.)
	0017-00101-0141	#8x11/16 UNSLOT HEX HD. SCR. (12 REQ'D.)
	0383-00104-0000	CONTROL SHELF STRAP
	0383-00101-0000	CONTROL SHELF BACKUP BRKT.
22	A696-00007-0000	GRIP W/SWITCH ASSY.
	A696-00022-0000	CONTROL ASSY.
23	A696-00029-0000	KNOB & SHAFT ASSY.
	A696-00028-0000	OPTICAL ENCODER DISC ASSY.
24	0017-00042-0260	PUSHBUTTON ASSEMBLY
	0017-00032-0093	PUSHBUTTON SWITCH W/HOLDER
	0017-00103-0054	5/8-11 PAL NUT
	0017-00104-0026	FLAT WASHER
	0017-00100-0025	1/4" E-RING

NO. 383 -DISCS OF TRON ENVIRONMENTAL -FRONT -PARTS LIST

ORDER BY PART NUMBER ONLY

ITEM	PART NO.	DESCRIPTION
25	A982-00014-0004	U.S.A. 50¢ COIN DOOR ASSY. W/CABLE ASSY.
	A982-00015-0000	COIN DOOR CABLE ASSY.
26	A090-00605-0000	CASH BOX DOOR & LOCK ASSY.
	A090-00606-0000	CASH BOX & PULL ASSY.
	0090-00189-0000	CASH BOX ENCOSURE
27	A090-00603-00XF	COIN DOOR FRAME ASSY.
	0017-00101-0121	#6-32x5/16 PHIL TRS. HD. SCR. (7 REQ'D.) (MOUNTS COIN DOOR TO FRAME)
28	A383-00019-0000	FLASHING FLUOR. FOOT LIGHT W/O FILTER ASSY. (2 REQ'D.)
	A696-00043-0000	FLASHING LIGHT CABLE ASSY.
	0383-00117-0000	FLUORSCENT BRKT.
	0017-00003-0046	18" BLACK LIGHT
	0017-00031-0036	FLUOR. SOCKET (2 REQ'D.)
	0017-00003-0445	LAMP LOCK (2 REQ'D.)
	0017-00003-0026	BALLAST
	MT00-00125-A000	POWER TRANSFORMER - 60HZ.
29	0383-00911-0000	LIGHT COVER/FRONT
	0017-00101-0138	#8x5/8 TORX TMPER RESISTANT PAN HD. SCR. (3 REQ'D.)

NO. 383 - DISCS OF TRON ENVIRONMENTAL - REAR ACCESS



NO. 383 - DISCS OF TRON ENVIRONMENTAL - REAR ACCESS - PARTS LIST

ORDER BY PART NUMBER ONLY

ITEM	PART NO.	DESCRIPTION
1	A945-00038-0000	ON-OFF SWITCH & PLATE ASSY.
2	0894-00916-0000	PLASTIC PULL & VENT (2 REQ'D.)
	0017-00101-0141	#8x11/16 UNSLOT HEX HD. M.S. (8 REQ'D.)
3	0383-00904-0000	REAR SCENERY
4	0383-00115-00XF	SCENERY TRAP BRKT. (2 REQ'D.)
	0696-00114-0000	REAR SCENERY BRKT.
5	A696-00040-0000	FLASHING WHITE LIGHT W/O FILTER ASSY.
	A696-00043-0000	FLASHING LIGHT CABLE ASSY.
	MT00-00125-A000	POWER TRNSFORMER - 60 HZ
	0017-00003-0026	BALLAST
	0017-00003-0043	18" COOL WHITE FLUOR. LAMP
	0017-00031-0036	FLUORSCENT SOCKETS (2 REQ'D.)
	0017-00003-0445	FLUOR. LAMP LOCK (2 REQ'D.)
6	0017-00003-0339	ELECTROHOME - 19" COLOR DUAL SYNC HORIZ. MTG. MONITOR (OR)
6	0017-00003-0439	WELLS-GARDNER - 19" COLOR DUAL SYNC HORIZ. MTG. MONITOR (OR)
6	0017-00003-0454	ZENITH - 19" COLOR DUAL SYNC HORIZ. MTG. MONITOR
	0636-00101-0000	MONITOR RAIL (2 REQ'D.)
7	0696-00911-0000	MONITOR SHIELD
8	A088-00016-0000	INTERLOCK SWITCH & SPRING BRKT. ASSY.
	0303-00904-0000	INTERLOCK SWITCH COVER
9	A961-00007-0000	CASTER ASSY. (2 REQ'D.)
10	A945-00019-0000	LINE CORD ASSY. - 115V
11	A383-00015-0000	CARDRACK W/BOARDS ASSY.
	A084-91657-A383	SOUND I/O P.C. BRD. ASSY.
	A639-00060-0000	SHIELD & BARRIER ASSY.
	0017-00101-0134	#6-32x1/4 SLT. HEX HD. M.S. (4 REQ'D.)
	A084-91490-A383	PROGR. CPU P.C. BRD. ASSY.
	A358-00016-0000	SHIELD & SPACER ASSY. - INNER
	A084-91464-A696	VIDEO GENERATOR P.C. BRD. ASSY.
	A358-00017-0000	SHIELD & SPACER ASSY. - OUTER
	0017-00101-0153	#6-32x1" SLT. HEX HD. M.S. (8 REQ'D.)
12	A383-00020-0000	SUPPORT BRKT. ASSY. - TOP OF CARDRACK
13	A945-00020-0000	POWER CHASSIS ASSY. - 125VA., 115V
14	A084-91661-B000	RELAY CONTROL BRD. ASSY. (2 REQ'D.)
	0383-00919-0000	RELAY CONTROL BRD. COVER (2 REQ'D)
	0383-00920-0000	RELAY CONTROL BRD. SHIELD (2 REQ'D.)
15	A084-91659-C383	FLUOR. CONTROL P.C. BRD. ASSY.
16	A084-91658-C696	LAMP SEQUENCER P.C. BRD. ASSY.
17	A084-91648-A000	DUAL POWER AMP W/MIXER ASSY. (2 REQ'D.)
18	A084-91631-B000	AUXILIARY POWER SUPPLY BOARD
19	A084-91660-C000	SQUAWK & TALK P.C. BRD. ASSY.
20	A084-90412-D000	POWER SUPPLY P.C. BRD. ASSY. - 125V
	0624-00902-0100	P.C. SUPPORT BRKT. -12" LG. (2 REQ'D.)
	0624-00902-0300	P.C. SUPPORT BRKT. -21/2" LG. (2 REQ'D.)
	0624-00902-0500	P.C. SUPPORT BRKT. -61/2" LG. (4 REQ'D.)
	0017-00104-0037	#8 FLAT WASHER (14 REQ'D.)
	0017-00101-0141	#8x11/16 UNSLOT HEX HD. SCREW (42 REQ'D.)

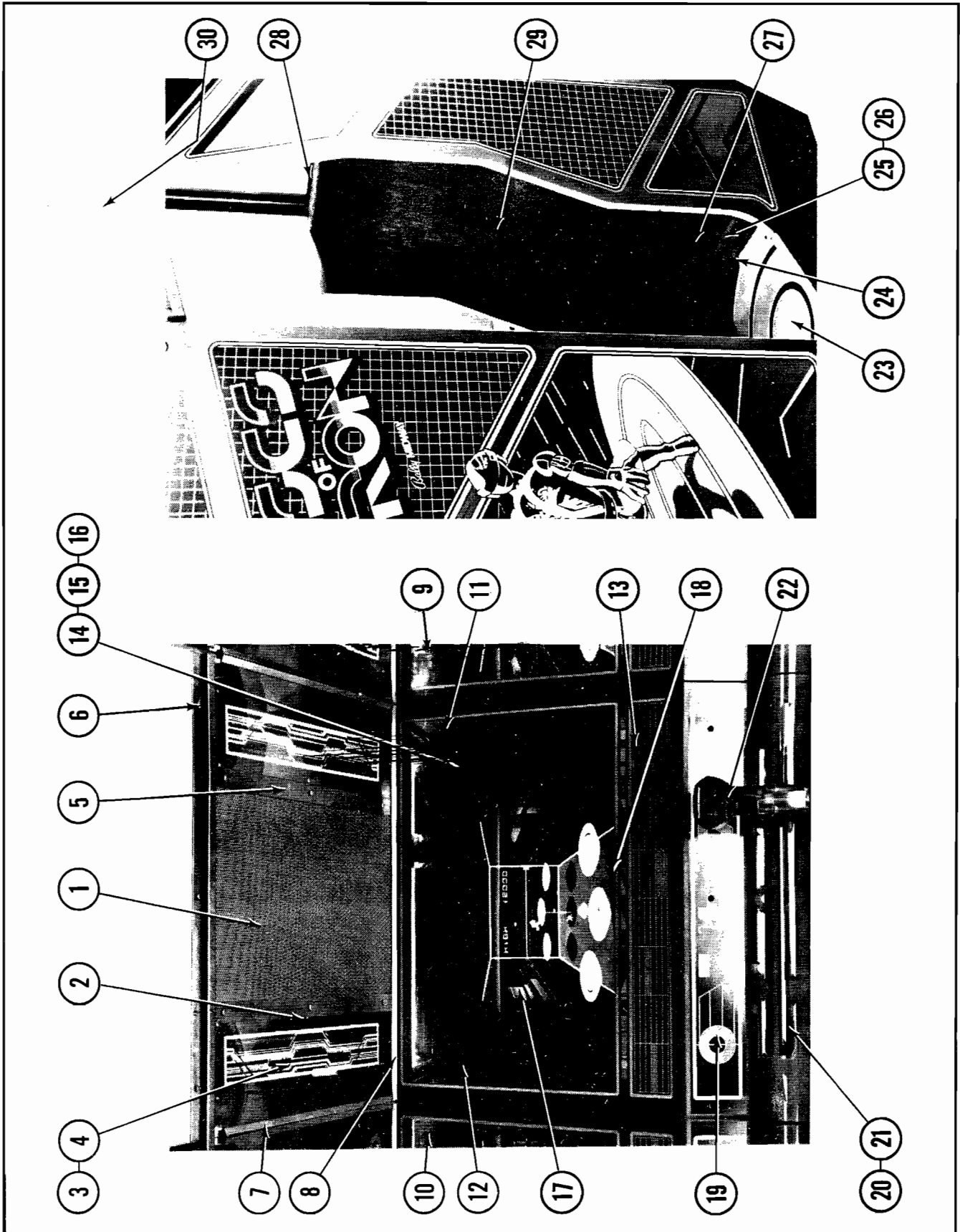
NO. 383 - DISCS OF TRON ENVIRONMENTAL - REAR ACCESS - PARTS LIST

ORDER BY PART NUMBER ONLY

ADDITIONAL PARTS LIST

ITEM	PART NO.	DESCRIPTION
	A383-00007-0000	MASTER CABLE W/BRKT. ASSY.
	A383-00009-0000	HIGH VOLTAGE CABLE ASSY.
	A941-00008-0000	LOW VOLTAGE CABLE ASSY.
	0017-00009-0490	REAR DOOR VENT GRILLE -5-5/8" SQR. (4 REQ'D.)
	A097-00009-0000	REAR DOOR LOCK ASSY.

NO. 383 - DISCS OF TRON ENVIRONMENTAL - CONTROL AREA



NO. 383 - DISCS OF TRON ENVIRONMENTAL - CONTROL AREA - PARTS LIST

ORDER BY PART NUMBER ONLY

ITEM	PART NO.	DESCRIPTION
1	A383-00023-00XF	SPEAKER BEZEL W/BOLT ASSY.
	0017-00003-0430	6"x9" SPEAKER - 4 OHM, 10W (2 REQ'D.)
2	A696-00039-0000	ARENA BLACK LIGHT W/O FILTER ASSY.
	A696-00043-0000	FLASHING LIGHT CABLE ASSY.
3	0383-00903-00XF	LIGHT INSERT COVER (2 REQ'D.)
	0383-00103-0000	INSERT BRKT. (4 REQ'D.)
	0017-00101-0138	#8x5/8 TORX PAN HD. SCREW (16 REQ'D.)
4	0017-00003-0219	#194 WEDGE BASE LAMP - 14V., .27A (10 REQ'D.)
	0017-00031-0030	WEDGE BASE LIGHT SOCKET (10 REQ'D.)
	A383-00014-0000	LIGHT INSERT CABLE ASSY.
5	0383-00119-00XF	COVER STRIP (2 REQ'D.)
6	0383-00118-00XF	END CHANNEL
	0017-00101-0138	#8x5/8 TORX PAN HD. SCREW (9 REQ'D.)
7	0383-00921-0200	CHANNEL - 14-11/16" LG. (2 REQ'D.)
8	0383-00921-0100	CHANNEL - 22-15/16" LG.
9	0383-00916-0100	MIRROR - RIGHT SIDE
10	0383-00916-0200	MIRROR - LEFT SIDE
11	0383-00905-0100	SIDE SCENERY - RIGHT
12	0383-00905-0200	SIDE SCENERY - LEFT
13	0383-00915-00XF	MAIN VIEWING GLASS
14	0383-00913-0000	MIRROPLANE
	0696-00110-0000	MIRROR HOLD DOWN BRKT. (2 REQ'D.)
15	0383-00901-00XF	SCENERY - RED (NOT SEEN)
	0696-00111-0000	RED SCENERY HOLD DOWN BRKT.
	0696-00109-0000	SCENERY HOLD DOWN BRKT.
16	0383-00902-00XF	SCENERY - BLUE (NOT SEEN)
	0696-00110-0000	HOLD DOWN BRKT. (2 REQ'D.)
17	0383-00904-0000	SCENERY - REAR
	0383-00924-0000	SCENERY SUPPORT CHANNEL (2 REQ'D.)
	0383-00115-00XF	SCENERY TRAP BRKT. (2 REQ'D.)
18	0696-00909-0000	MONITOR BEZEL
19	0383-00112-00XF	GLASS RETAINER
	0017-00101-0138	#8x5/8 TORX PAN HD. SCREW (3 REQ'D.)
20	0383-00912-00XF	LAMP PROTECTOR
	0383-00102-0000	LAMP SHIELD BRKT.
21	A696-00038-0000	CONTROL SHELF FLUOR. BLK. LIGHT W/O FILTER ASSY.
	A696-00042-0000	CONTROL LIGHT CABLE ASSY.
	0383-00111-0000	FLUOR BRKT.
	0017-00003-0095	18" BLACK LIGHT LAMP
	0383-00110-0000	REFLECTOR
	0017-00031-0036	FLUOR. LAMP SOCKET (2 REQ'D.)
	0017-00003-0445	LAMP LOCKS (2 REQ'D.)
22	A696-00007-0000	GRIP W/SWITCH ASSY.
23	0383-00909-0000	DECORATIVE FLOOR OVERLAY
	0383-00106-0000	FLOOR
	0017-00101-0138	#8x5/8 TORX PAN HD. SCREW (10 REQ'D.)

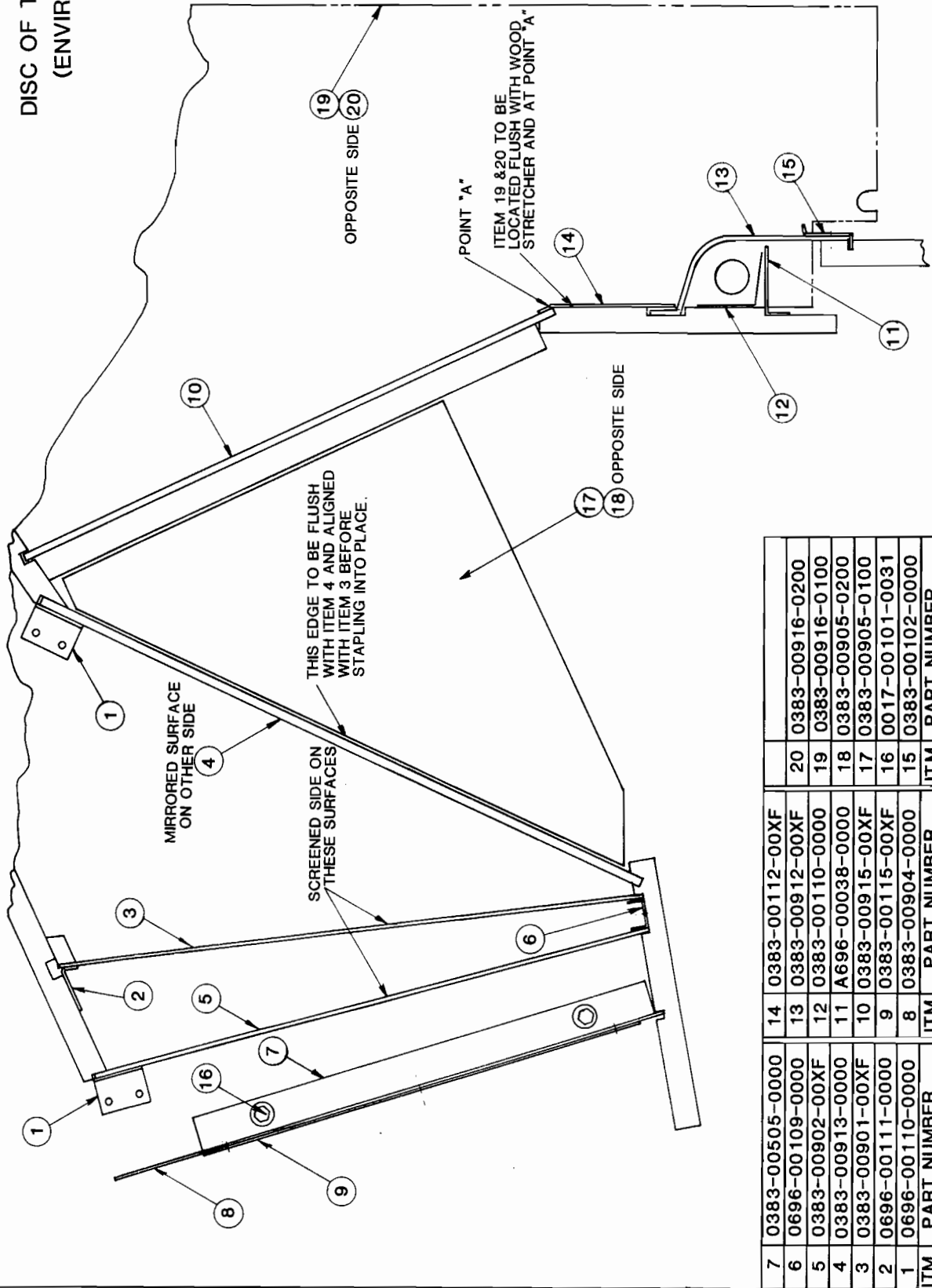
NO. 383 - DISCS OF TRON ENVIRONMENTAL - CONTROL AREA - PARTS LIST

ORDER BY PART NUMBER ONLY

ITEM	PART NO.	DESCRIPTION
24	0383-00105-00XF	BASE BRKT. (UNDER OVERLAY, NOT SEEN)
25	0383-00910-00XF	LIGHT COVER - REAR
26	A383-00019-0000	FLASHING FOOT LIGHT W/O FILTER ASSY.
27	0383-00113-00XF	CARPET BRACKET - BOTTOM
28	0383-00114-00XF	SLOTTED CARPET BRKT. - TOP
	0017-00101-0138	#8x5/8 TORX PAN HD. SCREW (9 REQ'D.)
29	0383-00918-0000	CARPET - CABINET LINER
	0017-00081-0172	2" WIDE DOUBLE FACE CARPET TAPE
30	0017-00003-0430	6"x9" SPEAKER - 4 OHM, 10W (2 REQ'D.) (LOCATED ABOVE CABINET LINER, NOT SEEN)
	0383-00120-00XF	SPEAKER GRILLE - REAR

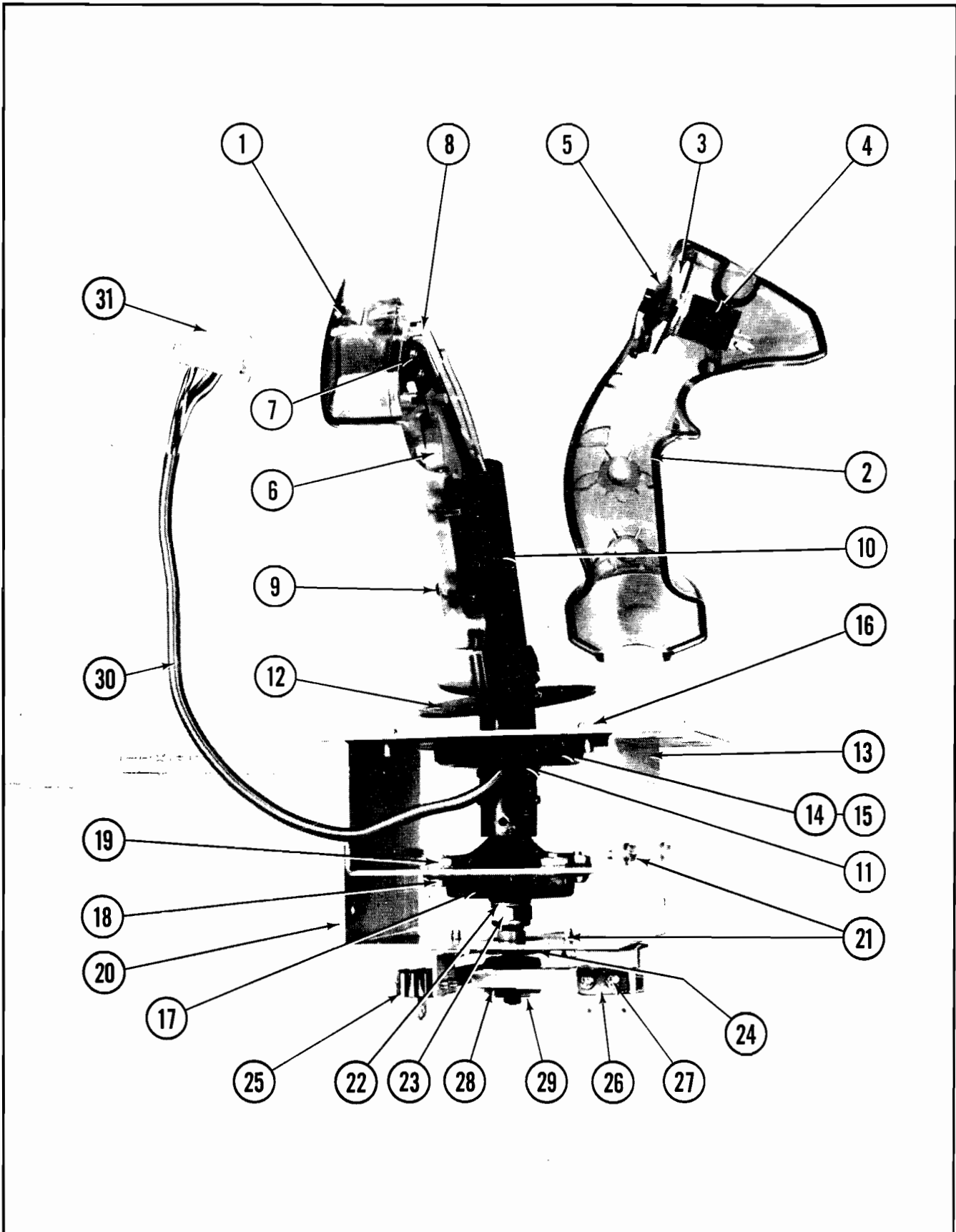
VISUAL EFFECTS PIECE PART ASSEMBLY

DISC OF TRON
(ENVIR.)



ITM	PART NUMBER	ITM	PART NUMBER	ITM	PART NUMBER
7	0383-00505-0000	14	0383-00112-00XF	20	0383-00916-0200
6	0696-00109-0000	13	0383-00912-00XF	19	0383-00916-0100
5	0383-00902-00XF	12	0383-00110-0000	18	0383-00905-0200
4	0383-00913-0000	11	A696-00038-0000	17	0383-00905-0100
3	0383-00901-00XF	10	0383-00915-00XF	16	0017-00101-0031
2	0696-00111-0000	9	0383-00115-00XF	15	0383-00102-0000
1	0696-00110-0000	8	0383-00904-0000		
ITM	PART NUMBER	ITM	PART NUMBER	ITM	PART NUMBER

NO. 696 & 383 - DISCS OF TRON - CONTROL GRIP ASSEMBLY

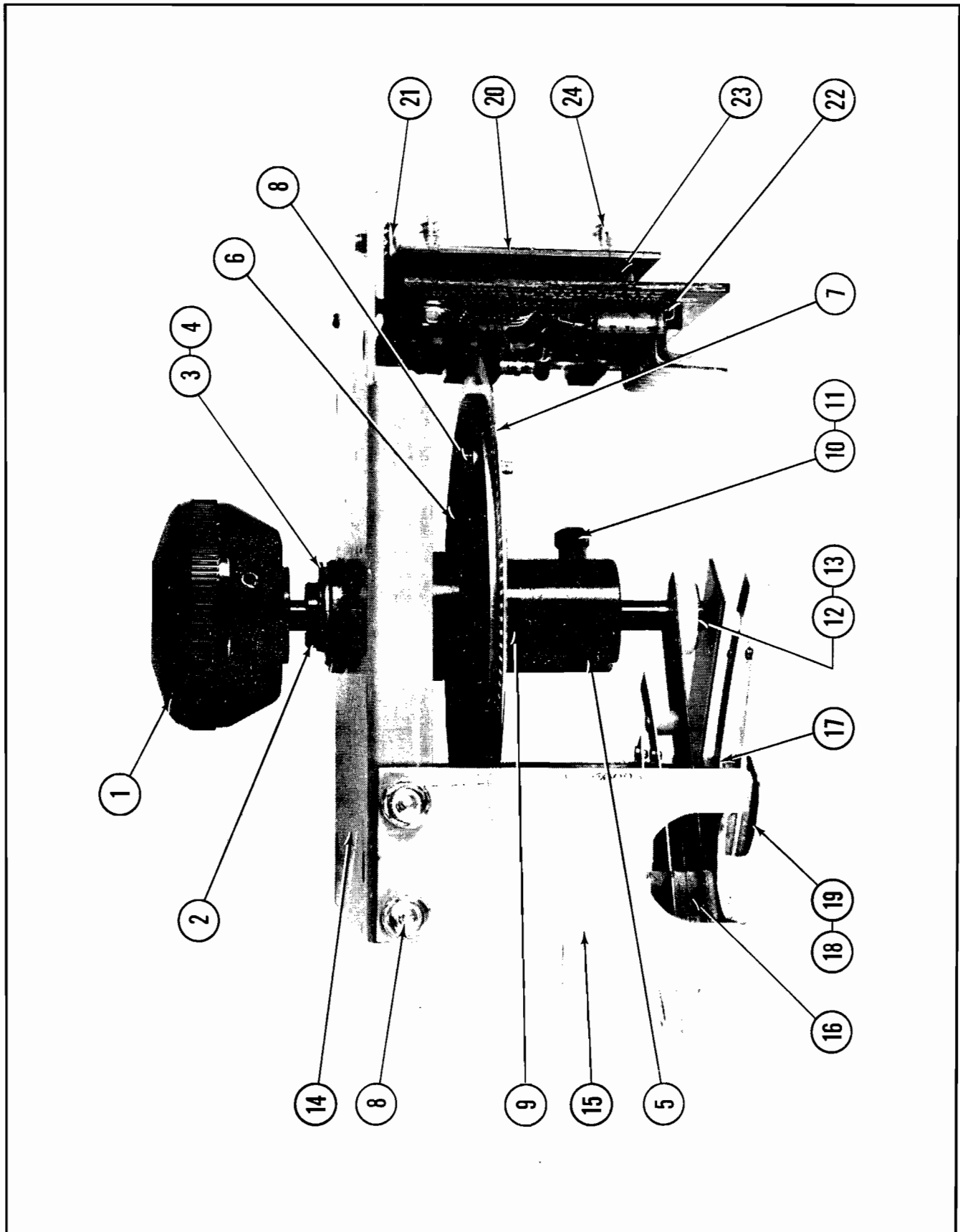


NO. 696 & 383 - DISCS OF TRON - CONTROL GRIP ASSEMBLY - PARTS LIST

ORDER BY PART NUMBER ONLY

ITEM	PART NO.	DESCRIPTION
1	0873-00900-0400	CONTROL GRIP - LEFT
2	0873-00900-0300	CONTROL GRIP - RIGHT
3	0696-00100-0000	GRIP SWITCH PANEL
4	0696-00900-0000	NOTCHED SWITCH
	0017-00104-0112	7/8" INT. WASHER
	0017-00104-0045	3/4" FLAT WASHER
	0017-00103-0089	5/8-24 HEX NUT
5	0929-00905-00XF	SWITCH BEZEL
	A696-00006-0000	GRIP SWITCH PANEL ASSY. (ITEMS 3 THRU 5)
6	0628-00906-0000	TRIGGER
7	0696-00102-00XF	TRIGGER SWITCH BRKT.
	0017-00101-0083	#4-20x3/8 PHIL PAN HD. SCR. (2 REQ'D.)
8	A696-00004-0000	GRIP TRIGGER SWITCH ASSY.
	0020-00202-0000	SWITCH PLATE
	0017-00101-0525	#5-40x9/16 PHIL. RND. HD. M.S. (2 REQ'D.)
9	0017-00101-0149	#10-32x3/8 TORX TAMPER RESISTANT BUTTON HD. SCREW (5 REQ'D.)
10	A696-00019-0000	TUBING TO PIVOT PIN ASSY.
11	0696-00907-0000	SLEEVE
12	0628-00904-0000	SLIDE
13	A639-00020-0000	CENTERING BRKT. WELD ASSY.
14	0873-00113-00XF	BUMPER MTG. BRKT.
15	0873-00910-0000	BUMPER
16	0017-00101-0615	#8-32x3/8 SLT. PAN HD. M.S. (4 REQ'D.)
17	0628-00905-0000	GROMMET
18	0017-00101-0799	#10-32x3/8 SLT. HEX HD. M.S. (4 REQ'D.)
19	0017-00103-0081	#10-32x5/16 HEX NUT W/SEMS (4 REQ'D.)
20	A696-00025-0000	STOP PLATE & SWITCH BRKT. ASSY.
21	0017-00101-0598	#8-32x5/16 SLT. HEX HD. M.S. (6 REQ'D.)
22	0017-00104-0034	5/8" FLAT WASHER
23	0017-00103-0102	7/16-14 LOCK NUT
24	0639-00906-0000	WEAR PLATE
25	A355-00003-0000	MOLDED SWITCH ASSY. (4 REQ'D.)
26	0020-00202-0000	SWITCH PLATE (4 REQ'D.)
27	0017-00101-0527	#5-40x5/8 PHIL. RND. HD. M.S. (8 REQ'D.)
28	0921-00700-0000	ACTUATOR
29	0017-00100-0025	1/4" E-RING
30	0010-00266-0100	STRAIN RELIEF EXT. SPRING
31	0017-00021-0311	6 PIN CONNECTOR
	0017-00103-0011	#10-32 LOCK NUT (4 REQ'D.) MOUNTS ASSEMBLY TO CONTROL SHELF

NO. 696 & 383 - DISCS OF TRON - OPTICAL ENCODER KNOB ASSEMBLY

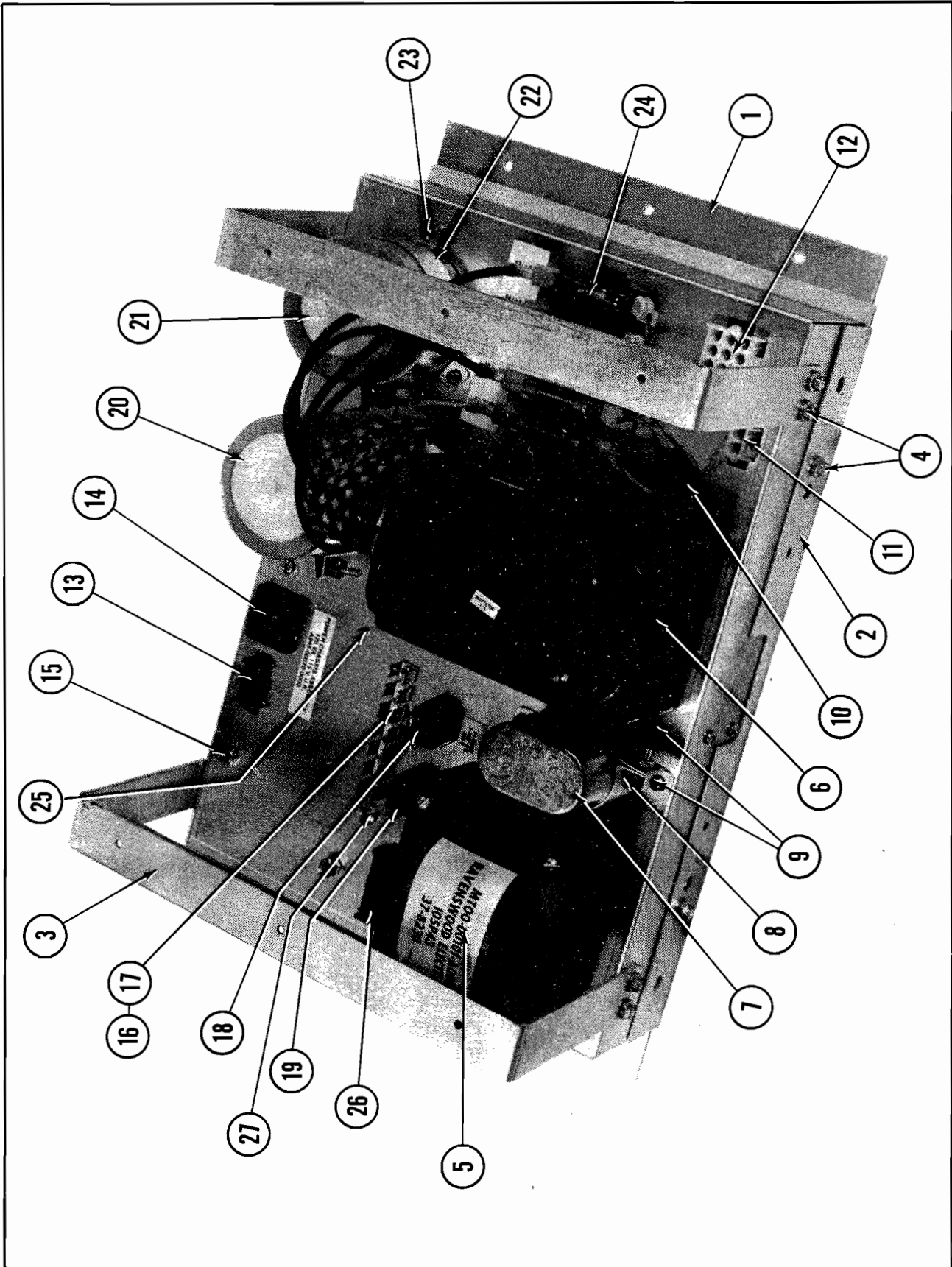


NO. 696 & 383 - DISCS OF TRON - OPTICAL ENCODER KNOB ASSEMBLY - PARTS LIST

ORDER BY PART NUMBER ONLY

ITEM	PART NO.	DESCRIPTION
1	A696-00029-0000	KNOB & SHAFT ASSEMBLY
2	0696-00703-00XF	MAIN SHAFT
3	0017-00100-0050	1/2" E-RING (2 REQ'D)
4	0017-00104-0045	3/4" FLAT WASHER
5	A696-00031-0000	HUB & BOTTOM PLATE ASSY.
6	0696-00103-0000	TOP PLATE
7	0628-00900-0000	SENSOR DISC
8	0017-00101-0124	#6x1/4 UNSLOT HEX HD. M.S. (7 REQ'D.)
9	0017-00101-0791	#8-32x1/4 HEX HD. SET SCREW (2 REQ'D.)
10	0639-00705-00XF	STOP STUD
11	0639-00911-0000	ROLLER SLEEVE
12	0696-00702-0000	SWITCH ACTUATOR
13	0017-00100-0025	1/4" E-RING
14	A696-00016-0000	BEARING TO BUSHING/BRKT. ASSY.
15	0696-00105-0000	SWITCH MOUNTING BRKT.
16	A696-00018-0000	LEAF SWITCH ASSY.
17	A696-00030-0000	LOWER SWITCH LEAF ASSY.
18	0020-00202-0000	SWITCH PLATE (2 REQ'D.)
19	0017-00101-0528	#5-40x3/4 PHIL. RND. HD. SCREW (4 REQ'D.)
20	0696-00113-0000	ENCODER P.C. BRD. MTG. BRKT.
21	0017-00101-0586	#8-32x3/16 SLT. PAN HD. M.S. (2 REQ'D.)
22	A084-91482-A000	OPTICAL ENCODER P.C. BRD.
23	0017-00042-0072	PLASTIC GROMMET (4 REQ'D.)
24	0017-00101-0027	#8x3/4 SLT. HEX HD. WD. SCR. (4 REQ'D.)
	0017-00103-0011	#10-32 LOCK NUT (4 REQ'D.) MOUNTS ASSEMBY TO CONTROL SHELF

— POWER CHASSIS ASSY. — 125VA., 115V.

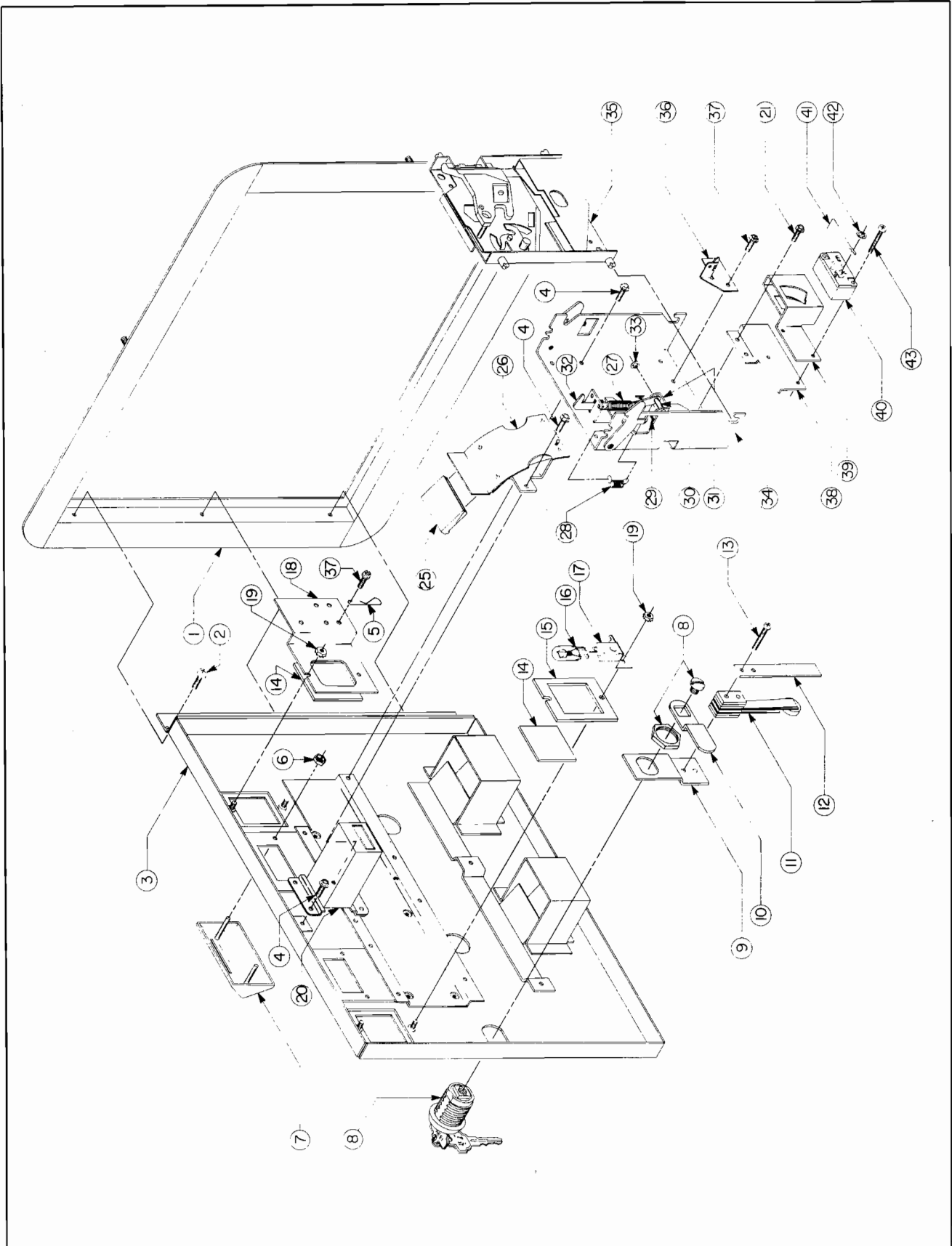


POWER CHASSIS ASSY.—125VA., 115V.—PARTS LIST

ORDER BY PART NUMBER ONLY

ITEM	PART NO.	DESCRIPTION
1	A945-00046-00XF	CHASSIS & PARTITION ASSY.
2	A945-00029-0100	MTG. PLATE & BARRIER ASSY.
3	0945-00107-01XF	STRAP (2 REQ'D.)
4	0017-00101-0123	#8 x 1/4 UNSLOT. HEX HD. SCR. (12 REQ'D.)
5	MT00-00101-A000	ISOLATION TRANSFORMER W/O SHIELD ASSY. — 115V., 50/60 HZ.
	0017-00103-0061	#8-32 HEX NUT W/SEMS (4 REQ'D.)
6	MT00-00099-A000	POWER TRANSFORMER ASSY. — 115V., 60 HZ.
	0017-00103-0084	#6-32 HEX NUT W/SEMS (4 REQ'D.)
7	0175-181T4-GXJK	CAPACITOR — 3.5 M.F., 440V.
8	0017-00009-0535	CLAMP
	0017-00101-0565	#6-32 x 7/16 SLT. PAN HD. SCR.
	0017-00103-0084	#6-32 HEX NUT W/SEMS
9	0017-00101-0067	#6 x 3/8 PHIL. PAN HD. SCR. (11 REQ'D.)
10	0945-00902-0000	SNAP BUSHING (3 REQ'D.)
11	0017-00021-0297	2 POSITION CONNECTOR
12	A945-00030-0100	CONNECTOR & CABLE ASSY. #1
13	A945-00030-0200	CONNECTOR & CABLE ASSY. #2
14	A945-00021-0000	CONVENIENCE OUTLET ASSY.
15	0017-00101-0573	#6-32 x 1/2 PHIL. RND. HD. SCR. (2 REQ'D.)
	0017-00103-0084	#6-32 HEX NUT W/SEMS (2 REQ'D.)
	A945-00025-0000	FILTER ASSEMBLY — 125V. — UNDER CHASSIS (NOT SEEN)
16	0017-00021-0510	TERMINAL STRIP
17	0017-00101-0140	#4-40 x 5/16 PHIL. PAN HD. SCR. (2 REQ'D.)
18	0017-00083-0263	SLO-BLO FUSE — 4A., 250V.
19	0017-00003-0005	FUSE — 2A., 250V.
	0017-00003-0444	QUICK CONN. FUSEHOLDER (2 REQ'D.) — FOR ABOVE FUSES
20	0945-00816-1902	CAPACITOR — 100,000 M.F.
21	0945-00816-1901	CAPACITOR — 55,000 M.F.
	0017-00104-0107	#10 FLAT WASHER (4 REQ'D.)
	0017-00103-0081	#10-32 HEX NUT W/SEMS (4 REQ'D.)
22	0017-00009-0422	CLAMP (2 REQ'D.)
	0017-00101-0758	#8-32 x 3/4 PHIL. RND. HD. SCREW (2 REQ'D.)
	0017-00103-0061	#8-32 HEX NUT W/SEMS (2 REQ'D.)
23	0017-00101-0067	#6 x 3/8 PHIL. PAN HD. SCR. (6 REQ'D.)
24	0945-00904-0000	5 POSITION FUSE HOLDER
	0017-00003-0263	SLO-BLO FUSE — 4A., 250V.
	0017-00003-0217	SLO-BLO FUSE — 2.5A., 250V. (2 REQ'D.)
	0017-00003-0007	SLO-BLO FUSE — 3A., 250V. (2 REQ'D.)
	0945-00903-0000	FUSE HOLDER BARRIER
	A945-00022-0000	HEATSINK & DIODE ASSY.
	0017-00101-0067	#6 x 3/8 PHIL. PAN HD. SCR. (2 REQ'D.)
25	0017-00101-0780	#6 x 1/2 PHIL. PAN HD. SCREW (2 REQ'D.)
	0017-00021-0629	5 POSITION TERMINAL STRIP — (UNDER CHASSIS)
	A945-00019-0000	LINE CORD ASSY. — 115V. (NOT SHOWN)
26	A945-00030-0500	CONNECTOR & CABLE ASSY.
27	0017-00101-0660	#10-32 x 3/4 PAN HD. SCREW
	0017-00104-0107	#10 FLAT WASHER
	0017-00103-0081	#10-32 HEX NUT W/SEMS

FRONT DOOR ASSEMBLY - U.S.A. 25¢

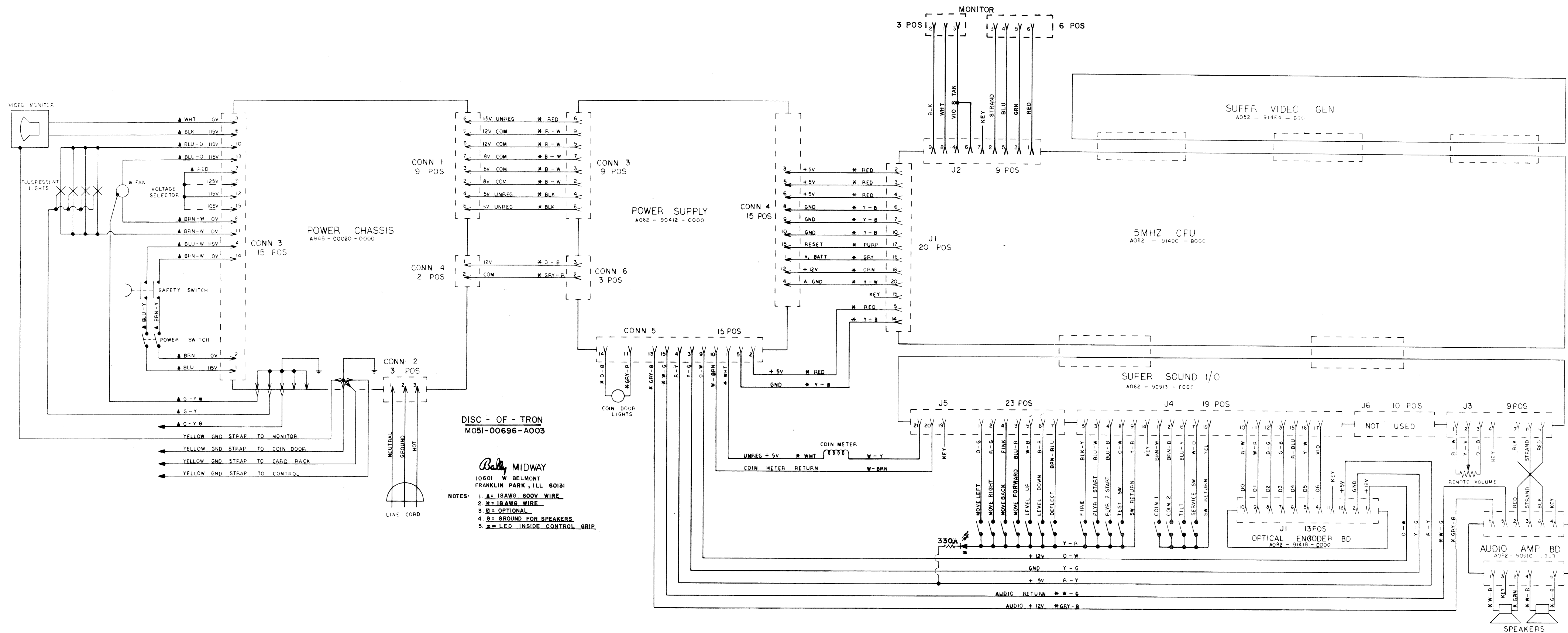


FRONT DOOR ASSEMBLY — U.S.A. 25¢ — PARTS LIST

ORDER BY PART NUMBER ONLY

ITEM	PART NO.	DESCRIPTION
1	0090-00002-04BK	DOUBLE ENTRY COIN DOOR FRAME
2	0017-00101-0121	#6-32 x 5/16 PHIL. TRS. HD. SCR. (3 REQ'D.)
3	A090-00073-02BK	DOUBLE ENTRY COIN DOOR W/DRESS PLATE
4	0017-00101-0123	#8 x 1/4 UNSLOT. HEX HD. SCREW (12 REQ'D.)
5	0017-00007-0019	KEY HOOK
6	0017-00103-0059	PUSH NUT (4 REQ'D.)
7	0090-00912-0000	COIN ENTRY PLATE — 25¢ (2 REQ'D.)
8	A097-00005-0000	DOOR LOCK & KEY W/SCREW & NUT (OR)
8	A097-00006-0000	DOOR LOCK & KEY W/SCREW & NUT
9	0090-00128-00XF	DOOR TILT SWITCH BRKT.
10	0017-00005-0041	DOOR CAM
11	A090-00095-0000	DOOR TILT SWITCH
12	0090-00126-03XF	SWITCH BACK-UP PLATE
13	0017-00101-0525	#5-40 x 9/16" PHIL. HD. M.S. (2 REQ'D.)
	A090-00096-0000	DOOR TILT SWITCH & BRKT. ASSY. (ITEMS 9 & 11 THRU 13)
14	0090-00903-9500	25¢ WINDOW (2 REQ'D.)
15	0090-00143-00XF	COIN PLEX RETAINER
16	0017-00003-0219	12 VOLT LAMP — G.E. #194 (2 REQ'D.)
17	0017-00031-0048	WEDGE SOCKET W/BRKT. (2 REQ'D.)
18	A090-00100-0000	BRKT. ASSY.
19	0017-00103-0084	#6-32 HEX NUT W/SEMS (4 REQ'D.)
20	A090-00089-0000	COIN METER W/DIODE
21	0017-00101-0124	#6 x 1/4 UNSLOT. HEX HD. SCR. (4 REQ'D.)
25	0090-00911-0000	INSULATOR (2 REQ'D.)
26	A090-00112-0000	COIN CHUTE & INSULATOR ASSY. (2 REQ'D.)
27	0010-00134-0000	SPRING
28	0010-00181-0000	SPRING
29	0017-00007-0083	1/8 x 1-5/8 ROLL PIN
30	0090-00129-00XF	PIVOT POST
31	0090-00167-00XF	PIVOT LEVER
32	0090-00182-00XF	REJECT LEVER
33	0017-00100-0018	E-RING
	A090-00088-0000	REJECT LEVER ASSY. (2 REQ'D.) (ITEMS 30 THRU 33)
34	A090-00115-0000	COIN ACCEPTOR FRAME ASSY. (2 REQ'D.)
35	0017-00005-0003	COIN ACCEPTOR W/STRING CUTTER (2 REQ'D.) (OR)
35	0017-00005-0211	COIN ACCEPTOR W/ANTI STRING DEVICE (2 REQ'D.) (OR)
35	0017-00005-0214	COIN ACCEPTOR W/STRING CUTTER (2 REQ'D.)
36	A090-00064-0000	ANTI-PENNY DEVICE
37	0017-00101-0099	#6 x 1/4 SLT. HEX HD. M.S. (2 REQ'D.)
38	0090-00162-00XF	COIN SWITCH MTG. BRKT.
39	0017-00005-0203	COIN SWITCH CHUTE
40	0017-00005-0195	COIN SWITCH
41	0010-00599-0000	COIN SWITCH WIRE
42	0017-00007-0015	PUSH-ON RING
	A090-00059-0400	COIN SWITCH & WIRE ASSY. (ITEMS 40 THRU 42)
43	0017-00101-0147	#4-40 x 3/4 PHIL. PAN. HD. M.S. (2 REQ'D.)
	A090-00077-0000	COIN GUIDE & SWITCH ASSY. (ITEMS 38 THRU 43)

III. Wiring Diagrams & Schematics

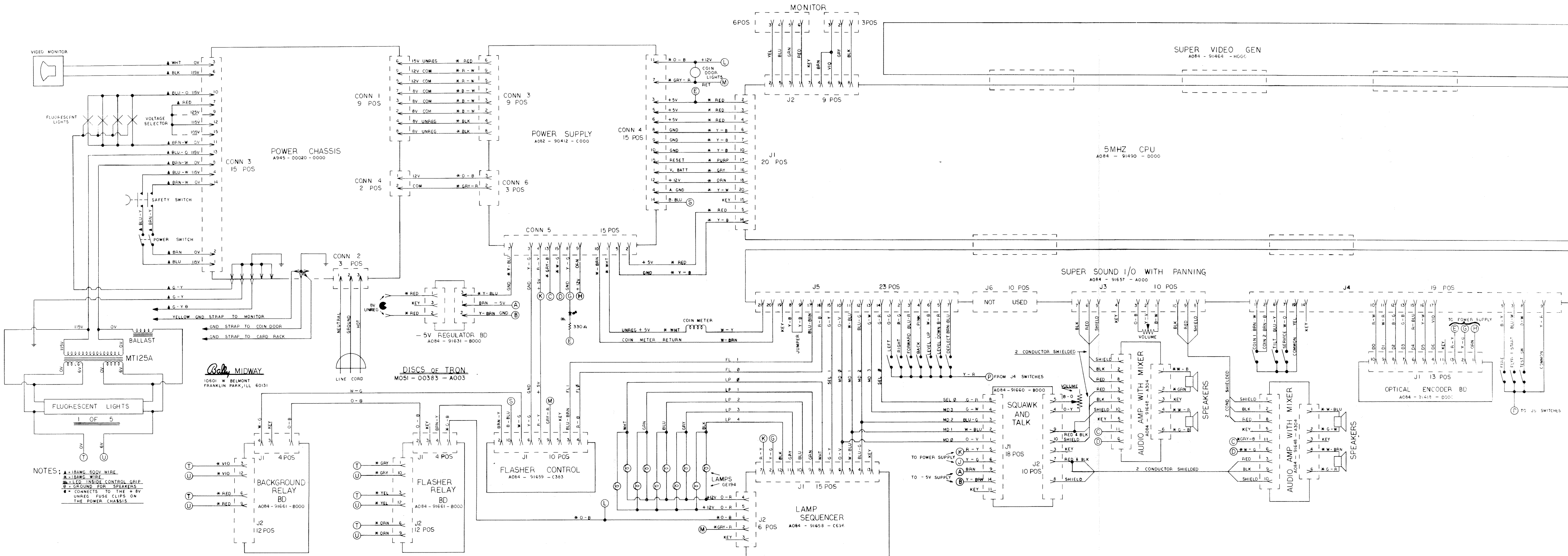


DISC - OF - TRON
M051-00696-A003

Bally MIDWAY

10601 W BELMONT
FRANKLIN PARK, ILL 60131

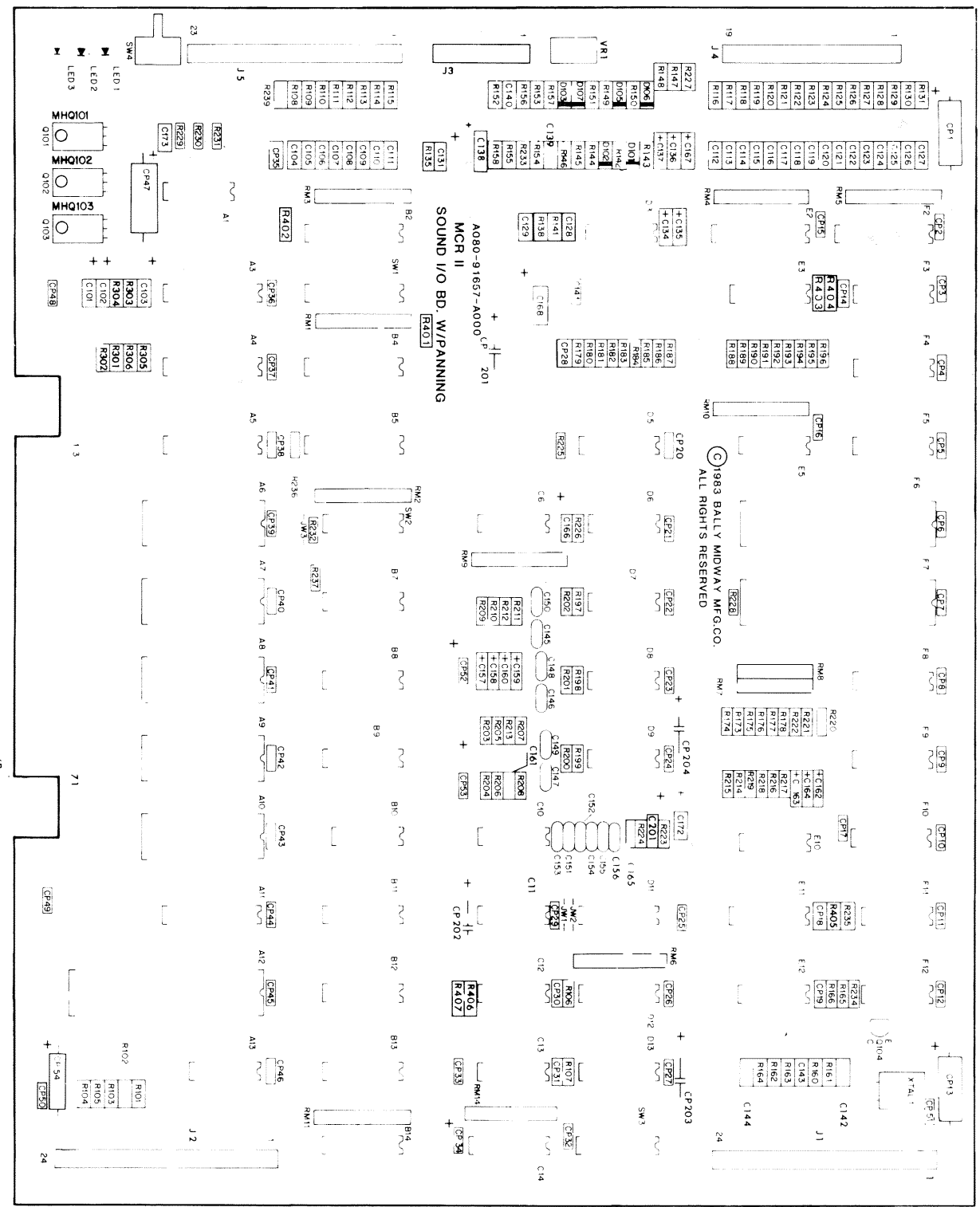
- NOTES:
1. ▲ = 18AWG 600V WIRE
 2. * = 18AWG WIRE
 3. □ = OPTIONAL
 4. ⊖ = GROUND FOR SPEAKERS
 5. Ⓜ = LED INSIDE CONTROL GRIP

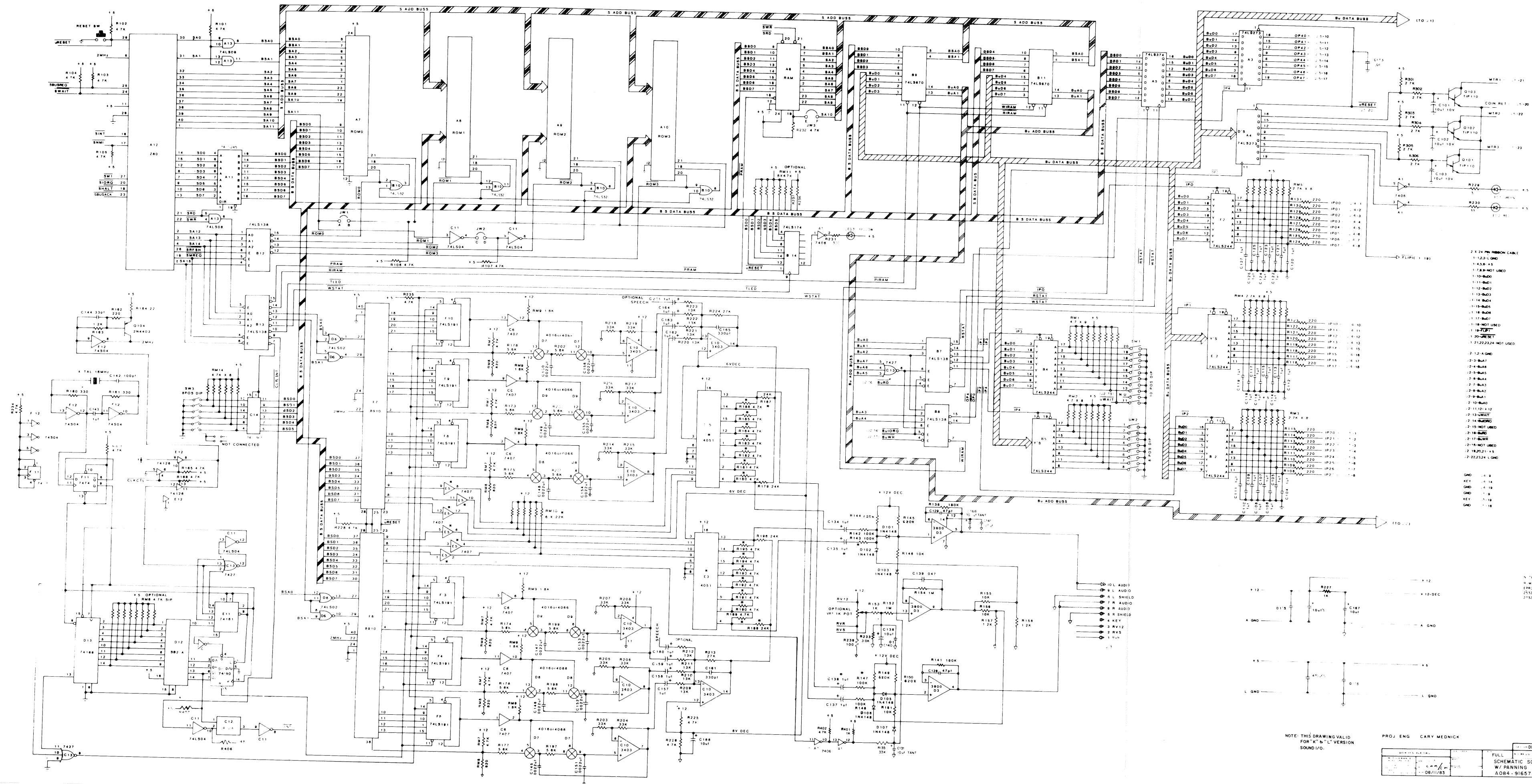


NOTES: ▲ 18AWG 600V WIRE
 * 18AWG WIRE
 ○ LED INSIDE CONTROL GRIP
 □ GROUND FOR SPEAKERS
 ● CONNECTS TO THE +5V UNREG FUSE CLIPS ON THE POWER CHASSIS

DESIGNATION LIST

DESIGNATION NO.	DESCRIPTION	DESIGNATION NO.	DESCRIPTION	DESIGNATION NO.	DESCRIPTION
C101-C103	10 MF 25V AX. TANT.	R173-R178	5.6K OHM 1/4W 5X CRBN.	IC14C	74LS367
C104-C127	.1 MF 50V AX. CER.	F179	24K OHM 1/4W 5X CRBN.	IC3D	LM3900
C128,C129	47 PF 50V AX. CER.	R180-R186	4.7K OHM 1/4W 5X CRBN.	IC5D	MC14051
C131	10 MF 25V AX. TANT.	R187,R188	24K OHM 1/4W 5X CRBN.	IC6D	74LS02
C134-C137	1 MF 20V AX. TANT.	R189-R195	4.7K OHM 1/4W 5X CRBN.	IC7D-9D	MC14016
C138	10 MF 25V AX. TANT.	R196	24K OHM 1/4W 5X CRBN.	74190	PROMSB2A
C139	.047 MF 100V MYLAR	R197-R202	5.6K OHM 1/4W 5X CRBN.	74166	74LS244
C140,C141	.01 MF 50V AX. CER.	R203-R208	33K OHM 1/4W 5X CRBN.	MC14051	7407
C142	100 PF 50V AX. CER.	R209-R211	13K OHM 1/4W 5X CRBN.	74126	74LS191
C143	.33 PF 50V AX. CER.	R213	27K OHM 1/4W 5X CRBN.	74LS244	74LS191
C144	.0022 MF 100V 10X MYLAR	R214-R219	33K OHM 1/4W 5X CRBN.	74LS191	AY-3-8910
C145-C156	1 MF 20V AX. TANT.	R220-R222	13K OHM 1/4W 5X CRBN.	7474	74S04
C157-C159	330 PF 50V AX. CER.	R224	27K OHM 1/4W 5X CRBN.	IC36A-ICS10A	24 PIN IC SOCKET
C162-C164	1 MF 20V AX. TANT.	R225,R226	4.7K OHM 1/4W 5X CRBN.	IC512A	40 PIN IC SOCKET
C165	330 PF 50V AX. CER.	R227	1K OHM 1/4W 5X CRBN.	IC512D	16 PIN IC SOCKET
C166-C168	10 MF 25V AX. TANT.	R228	4.7K OHM 1/4W 5X CRBN.	IC56F,7F	40 PIN IC SOCKET
C172	10 MF 25V AX. TANT.	R231	300 OHM 1/4W 5X CRBN.	J1,J2	24 PIN KK100 RT. ANGLE
C173	.01 MF 50V AX. CER.	R232	4.7K OHM 1/4W 5X CRBN.	J3	10 PIN KK100 RT. ANGLE OMIT 4
CP1	470 MF 16V AX. ELECT.	R233	3K OHM 1/4W 5X CRBN.	J4	19 PIN KK100 RT. ANGLE OMIT 14
CP2-CP12	.01 MF 50V AX. CER.	R234,R235	4.7K OHM 1/4W 5X CRBN.	J5	23 PIN KK100 RT. ANGLE OMIT 19
CP13	470 MF 16V AX. ELECT.	R239	100 OHM 1/4W 5X CRBN.	JW1,JW2	JUMPER WIRE
CP14-CP33	.01 MF 50V AX. CER.	R301-R306	2.7K OHM 1/4W 5X CRBN.	LED 3	YELLOW LED
CP34	100 MF 25V AX. TANT.	R401	1K OHM 1/4W 5X CRBN.	SW1	10 POSITION DIP
CP35-CP46	.01 MF 50V AX. CER.	R402	4.7K OHM 1/4W 5X CRBN.	SW3	8 POSITION DIP
CP47	470 MF 16V AX. ELECT.	R405-R407	4.7K OHM 1/4W 5X CRBN.	SW4	PUSHBUTTON S.W.
CP48-CP51	.01 MF 50V AX. CER.	RM1	4.7K OHM 10 PIN S.I.P.	XTAL 1	16 MHZ XTAL
CP52,CP53	10 MF 25V AX. TANT.	RM3-RM5	2.7K OHM 10 PIN S.I.P.	MHQ101-MHQ103	SNAP
CP54	470 MF 16V AX. ELECT.	RM7	4.7K OHM 8 PIN S.I.P.	A080-91657-A000	SOUND I/O BD. W/PANNING
CP201-CP204	10 MF 25V AX. TANT.	RM8	820 OHM 8 PIN S.I.P.		
R101-R107	4.7K OHM 1/4W 5X CRBN.	RM9	1.8K OHM 10 PIN S.I.P.		
R108-R131	220 OHM 1/4W 5X CRBN.	RM10	22K OHM 10 PIN S.I.P.		
R135	33K OHM 1/4W 5X CRBN.	RM14	4.7K OHM 10 PIN S.I.P.		
R138,R141	180K OHM 1/4W 5X CRBN.	D101-D103	1N4148		
R142,R143	100K OHM 1/4W 5X CRBN.	D105-D107	1N4148		
R144,R145	620K OHM 1/4W 5X CRBN.	Q101-Q103	T1P110		
R146	10K OHM 1/4W 5X CRBN.	Q104	2N4403		
R147,R148	100K OHM 1/4W 5X CRBN.	IC1A	7406		
R149,R150	620K OHM 1/4W 5X CRBN.	IC3A,4A	74LS273		
R151	10K OHM 1/4W 5X CRBN.	IC5A	74LS374		
R152	1MEG. OHM 1/4W 5X CRBN.	IC6A	1K X 8 RAM		
R153	1K OHM 1/4W 5X CRBN.	IC7A	ROM/EPROM 0		
R154	1MEG. OHM 1/4W 5X CRBN.	IC8A	ROM/EPROM 1		
R155,R156	10K OHM 1/4W 5X CRBN.	IC9A	ROM/EPROM 2		
R157,R158	1.2K OHM 1/4W 5X CRBN.	IC10A	ROM/EPROM 3		
R160,R161	330 OHM 1/4W 5X CRBN.	IC11A	74LS245		
R162	220 OHM 1/4W 5X CRBN.	IC12A	Z-80 CPU		
R163	1.2K OHM 1/4W 5X CRBN.	IC13C	74LS08		
R164	22 OHM 1/4W 5X CRBN.	IC10C	74LS244		
R165,R166	4.7K OHM 1/4W 5X CRBN.	IC11C	74LS138		
		IC12C	74LS670		
		IC13C	74LS32		
			74LS174		
			7407		
			MC3403		
			74LS04		
			7427		





2 x 24 PIN RIBBON CABLE

1-23-1 GND	27-544
1-43B-45	28-545
1-7A-P-NOT USED	29-546
1-10-BUDD	30-547
1-11-BUDD	31-548
1-12-BUDD	32-549
1-13-BUDD	33-550
1-14-BUDD	34-551
1-15-BUDD	35-552
1-16-BUDD	36-553
1-17-BUDD	37-554
1-18-BUDD	38-555
1-19-BUDD	39-556
1-20-RESET	40-557
1-21-22-23-24-NOT USED	41-558
1-22-23-24-NOT USED	42-559
1-23-1 GND	43-560
1-23-BUDD	44-561
1-23-BUDD	45-562
1-23-BUDD	46-563
1-23-BUDD	47-564
1-23-BUDD	48-565
1-23-BUDD	49-566
1-23-BUDD	50-567
1-23-BUDD	51-568
1-23-BUDD	52-569
1-23-BUDD	53-570
1-23-BUDD	54-571
1-23-BUDD	55-572
1-23-BUDD	56-573
1-23-BUDD	57-574
1-23-BUDD	58-575
1-23-BUDD	59-576
1-23-BUDD	60-577
1-23-BUDD	61-578
1-23-BUDD	62-579
1-23-BUDD	63-580
1-23-BUDD	64-581
1-23-BUDD	65-582
1-23-BUDD	66-583
1-23-BUDD	67-584
1-23-BUDD	68-585
1-23-BUDD	69-586
1-23-BUDD	70-587
1-23-BUDD	71-588
1-23-BUDD	72-589

72 PIN TEST CONN

1-5	27-544
2-5	28-545
3-5	29-546
4-5	30-547
5-5	31-548
6-5	32-549
7-5	33-550
8-5	34-551
9-5	35-552
10-5	36-553
11-5	37-554
12-5	38-555
13-5	39-556
14-5	40-557
15-5	41-558
16-5	42-559
17-5	43-560
18-5	44-561
19-5	45-562
20-5	46-563
21-5	47-564
22-5	48-565
23-5	49-566
24-5	50-567
25-5	51-568
26-5	52-569
27-5	53-570
28-5	54-571
29-5	55-572
30-5	56-573
31-5	57-574
32-5	58-575
33-5	59-576
34-5	60-577
35-5	61-578
36-5	62-579
37-5	63-580
38-5	64-581
39-5	65-582
40-5	66-583
41-5	67-584
42-5	68-585
43-5	69-586
44-5	70-587
45-5	71-588
46-5	72-589

NOTE: THIS DRAWING VALID FOR "K" & "L" VERSION SOUND I/O.

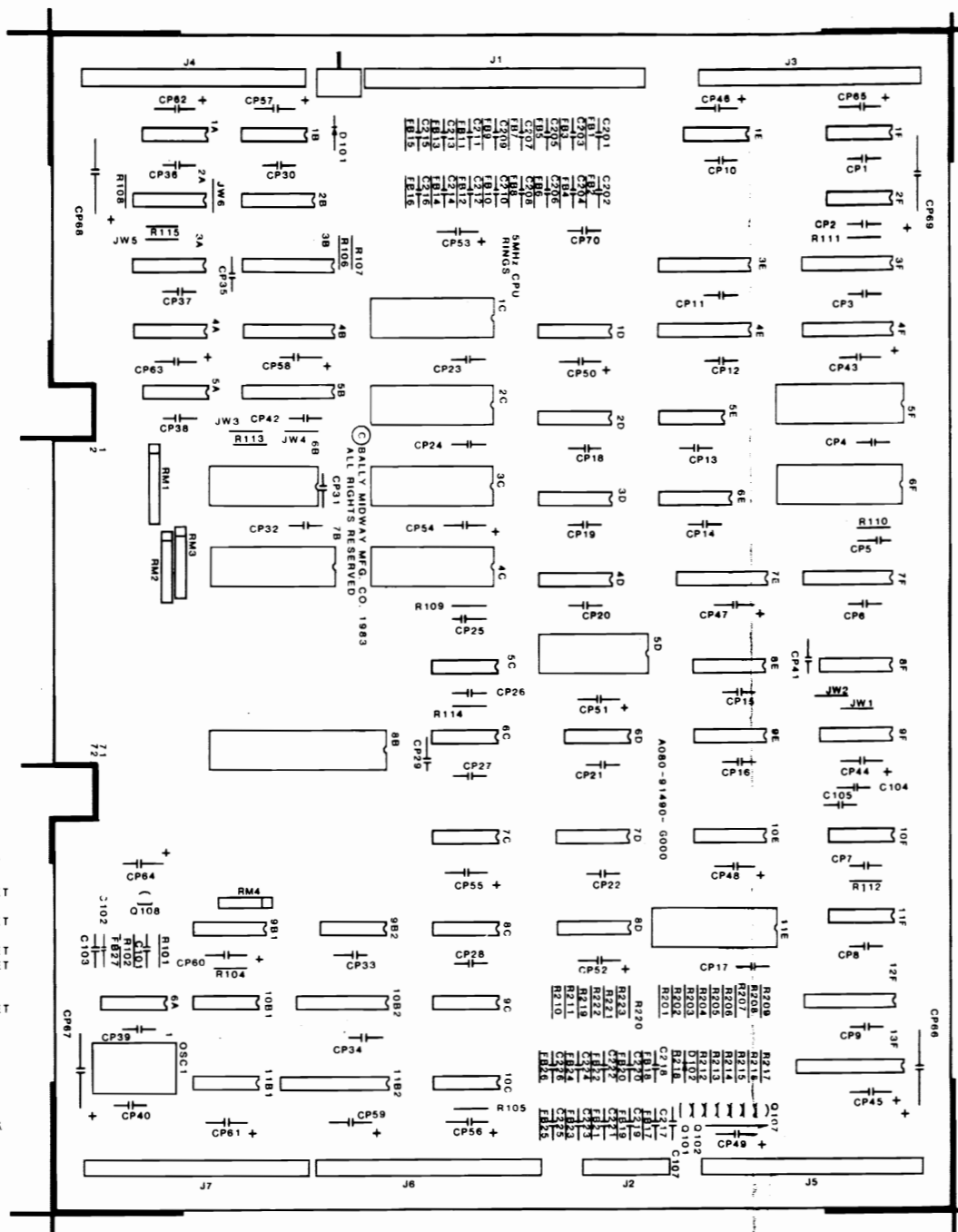
PROJ ENG CARY MEDNICK

DISCS OF TRON
FULL SCHEMATIC SOUND I/O
W/ PANNING
A084-91657-A000

MIDWAY MFG. CO.
MO51-00982-A035

DESIGNATION LIST

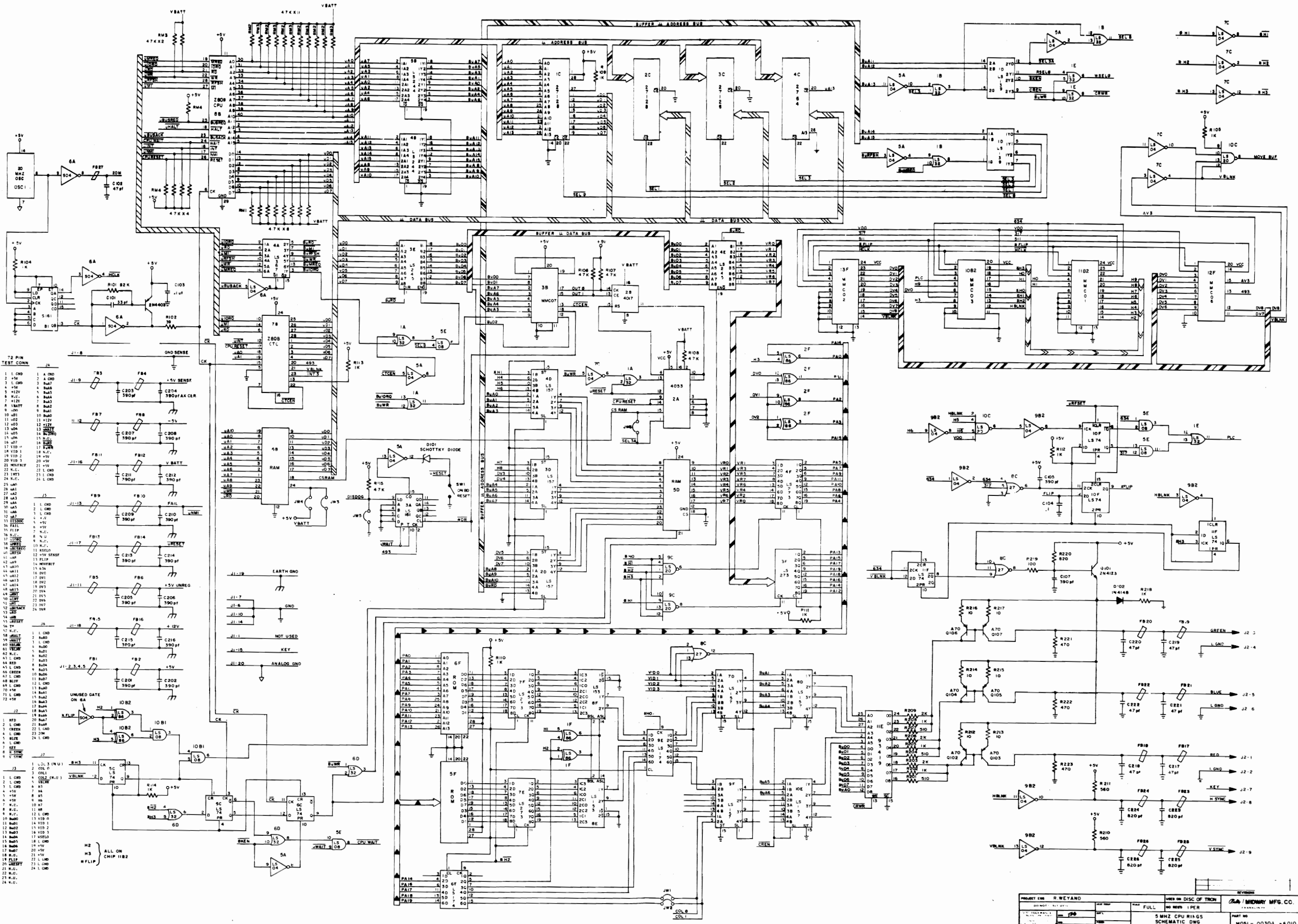
DESIGNATION NO.	DESCRIPTION	DESIGNATION NO.	DESCRIPTION
CP1-CP42	.01 MF AX. CER.	IC 4A	74LS367
CP43-CP65	10 MF 25V AX. TANT.	IC 5A	74LS04
		IC 6A	74504
CP66-CP69	470 MF 16V AX. ELECT.	IC 1B	74LS32
CP70	.01 MF AX. CER.	IC 2B	4017
C101	33 PF AX. CER.	IC 3B	MMCO7
C102	47 PF AX. CER.	IC 4B, IC 5B	74LS244
C103	.1 UF AX. CER.	IC 6B	NV RAM
C104	.1 UF AX. CER.	IC 7B	280B CTC
C105	390 PF AX. CER.	IC 8B	280B
C107	390 PF AX. CER.	IC 9B1	74S161
C201-C216	390 PF AX. CER.	IC 9B2	74LS04
C217-C222	47 PF AX. CER.	IC 10B1	74LS08
C223-C226	820 PF AX. CER.	IC 10B2	MMCO3
		IC 11B1	74LS86
R101	82K OHM 1/4W 5X CRBN.	IC 11B2	MMCO1
		IC 1C, IC 2C,	EPROM
R102	39 OHM 1/4W 5X CRBN.	IC 3C, IC 4C	74LS74
R104, R105	1K OHM 1/4W 5X CRBN.	IC 5C, IC 6C	74LS04
		IC 7C	7427
R106-R108	4.7K OHM 1/4W 5X CRBN.	IC 8C	74LS20
		IC 9C, IC 10C	
R109-R114	1K OHM 1/4W 5X CRBN.	IC 1D	74LS139
		IC 2D, IC 3D,	74LS157
		IC 4D, IC 7D	
R115	4.7K OHM 1/4W 5X CRBN.	IC 8D	
R201	510 OHM 1/4W 5X CRBN.	IC 5D	RAM
		IC 6D	74LS32
R202	1K OHM 1/4W 5X CRBN.	IC 1E	74LS32
R203	2K OHM 1/4W 5X CRBN.	IC 3E, IC 4E	74LS245
		IC 5E	74LS08
R204	510 OHM 1/4W 5X CRBN.	IC 6E, IC 9E	74LS174
		IC 7E	74LS273
R205	1K OHM 1/4W 5X CRBN.	IC 8E	74LS153
		IC 10E	74LS157
R206	2K OHM 1/4W 5X CRBN.	IC 11E	93419
R207	510 OHM 1/4W 5X CRBN.	IC 1F, IC 2F	74LS86
		IC 3F, IC 4F,	74LS273
		IC 7F	
R208	1K OHM 1/4W 5X CRBN.	IC 5F, IC 6F	EPROM
R209	2K OHM 1/4W 5X CRBN.	IC 8F	74LS153
		IC 9F	74LS157
R210, R211	560 OHM 1/4W 5X CRBN.	IC 10F, IC 11F	74LS74
R212-R217	10 OHM 1/4W 5X CRBN.	IC 12F	MMCO6
		IC 13F	MMCO2
R218	1K OHM 1/4W 5X CRBN.	FB1-FB27	FERRITE BEAD
R219	100 OHM 1/4W 5X CRBN.	ICS 13FA,	8 PIN DIP SOCKET
		ICS 11B2A	16 PIN DIP SOCKET
R220	820 OHM 1/4W 5X CRBN.	ICS 13FB,	20 PIN DIP SOCKET
		ICS 11B2B	24 PIN DIP SOCKET
R221, R223	470 OHM 1/4W 5X CRBN.	ICS 3B, ICS 10B2,	28 PIN DIP SOCKET
		ICS 12F	
RM1	4.7K OHM 9 PIN SIP	ICS 6B, 5D	40 PIN DIP SOCKET
RM2, RM3	4.7K OHM 8 PIN SIP	ICS 7B, ICS 1C-4C,	
		ICS 11E, ICS 5F,	
RM4	4.7K OHM 6 PIN SIP	ICS 6F	
		ICS 8B	
D101	1N5817	J1	20 PIN .156C CONN. OMIT 15
D102	1N4148	J2	9 PIN .100C CONN. OMIT 3
Q101	2N4123	J3-J7	HEADER
Q102-Q107	A 70	-	FLEX PACK JUMPERS
Q108	2N4403	JW1-JW6	JUMPERS
OSC 1	20 MHZ ± 0.1% OSCILLATOR	SW1	PUSH BUTTON SW.
IC 1A	74LS32	A080-91490-G000	5 MHZ CPU BD.
IC 2A	4053		
IC 3A	74LS161		



CROSS REFERENCE LIST

DESCRIPTION	QTY	DESIGNATION NO.	PART NOS.	DESCRIPTION	QTY	DESIGNATION NO.	PART NOS.
33 PF 50V AX. CER.	1	C101	0986-00800-0300	74LS32	4	IC 1A, 1B, 6D, 1E	0986-00803-0600
47 PF 50V AX. CER.	7	C102, C217-C222	0986-00800-2800	74LS74	4	IC 5C, 6C, 10F, 11F	0986-00803-1005
390 PF 50V AX. CER.	18	C105, C107, C201-C216	0986-00800-3000	74LS86	3	IC 11B1, 1F, 2F	0986-00803-9900
820 PF 50V AX. CER.	4	C223-C226	0945-00816-0400	74LS139	1	IC 1D	0304-00803-0042
.01 MF 50V 20X AX. CER.	43	CP1-CP42, CP70	0986-00800-2200	74LS153	2	IC 8E, 8F	0986-00803-1000
.1 MF 50V 20X AX. CER.	2	C103, C104	0986-00800-0200	74LS157	7	IC 2D, 3D, 4D, 7D, 8D	0986-00803-9700
10 MF 25V 10X AX. TANT.	23	CP43-CP65	0986-00800-3400	74LS161	1	IC 3A	0986-00803-1003
470 MF 16V AX. CER.	4	CP66-CP69	0986-00800-3300	74LS174	2	IC 6E, 9E	0986-00803-9800
10 OHM 1/4W 5X CRBN.	6	R212-R217	0062-051B3-1XXX	74LS244	2	IC 4B, 5B	0986-00803-0800
39 OHM 1/4W 5X CRBN.	1	R102	0062-080B3-1XXX	74LS245	2	IC 3E, 4E	0986-00803-0900
100 OHM 1/4W 5X CRBN.	1	R219	0062-110B3-1XXX	74LS273	4	IC 7E, 3F, 4F, 7F	0986-00803-1001
470 OHM 1/4W 5X CRBN.	3	R221-R223	0062-156B3-1XXX	74LS367	1	IC 4A	0986-00803-2200
510 OHM 1/4W 5X CRBN.	3	R201, R204, R207	0062-159B3-1XXX	74S04	1	IC 6A	0986-00803-0400
560 OHM 1/4W 5X CRBN.	2	R210, R211	0062-162B3-1XXX	74S161	1	IC 9B1	0304-00803-0038
820 OHM 1/4W 5X CRBN.	1	R220	0062-174B3-1XXX	93419	1	IC 11E	0986-00803-9600
1K OHM 1/4W 5X CRBN.	12	R104, R105, R109-R114, R202, R205, R208, R218	0062-179B3-1XXX	EPROM	6	IC 1C, 2C, 3C, 4C, 5F, 6F	
2K OHM 1/4W 5X CRBN.	3	R203, R206, R209	0062-193B3-1XXX	MMCO1	1	IC 11B2	0986-00803-8900
4.7K OHM 1/4W 5X CRBN.	4	R106-R108, R115	0062-211B3-1XXX	MMCO2	1	IC 13F	0986-00803-9000
82K OHM 1/4W 5X CRBN.	1	R101	0062-271B3-1XXX	MMCO3	1	IC 2B	0986-00803-9100
4.7K OHM 9 PIN SIP.	1	RM1	0304-00804-0005	MMCO7	1	IC 3B	0986-00804-3200
4.7K OHM 8 PIN SIP.	2	RM2, RM3	0986-00805-0400	NV RAM	1	IC 6B	0986-00803-8100
4.7K OHM 6 PIN SIP.	1	RM4	0986-00804-2400	RAM	1	IC 5D	0986-00803-1008
1N5817	1	D101	0986-00801-0300	280B	1	IC 8B	0304-00803-0041
1N4148	1	D102	0986-00801-0100	280B CTC	1	IC 7B	0304-00803-0040
2N4123	1	Q101	0986-00802-0100	FERRITE BEAD	27	FB1-FB27	0316-00804-0002
A 70	6	Q102-Q107	0986-00802-0300	8 PIN DIP SOCKET	2	ICS 13FA,	0986-00804-3600
2N4403	1	Q108	0986-00802-0200	16 PIN DIP SOCKET	2	ICS 11B2A	0986-00804-3700
20 MHZ ± 0.1% OSCILLATOR	1	OSC1	0304-00804-0007	20 PIN DIP SOCKET	3	ICS 11B2B	0986-00804-3800
4017	1	IC 2B	0986-00803-8700	24 PIN DIP SOCKET	2	ICS 3B, ICS 10B2,	0986-00804-3400
4053	1	IC 2A	0986-00803-2000	28 PIN DIP SOCKET	8	ICS 12F	0986-00804-3500
74LS04	3	IC 9B2, 7C, 5A	0986-00803-1007	FMD. HDR. .100C	1	ICS 6B, ICS 5D	0986-00804-3400
74LS08	2	IC 10B1, 5E	0986-00803-1006	FMD. HDR. .156C	1	ICS 7B, ICS 1C-4C,	0986-00804-3900
74LS20	2	IC 9C, 10C	0986-00803-1004	OMIT 15	1	ICS 11E, ICS 5F,	
7427	1	IC 8C	0304-00803-0046	HEADER	5	ICS 6F	0986-00804-3500

PROJECT ENG: R. WEYAND	HEAT TREAT	SCALE FULL	USED ON DISC OF TRON	NO REQ'D I PER	REVISIONS
DIM TOLERANCES UNLESS OTHERWISE SPECIFIED	DATE 09/01/83	ASSEMBLY DRAWING	PART NO M051-00304 - G009		
5 MHZ CPU RINGS					
A080-91490-G000					
Bally / MIDWAY MFG. CO.					



72 PIN TEST CONN

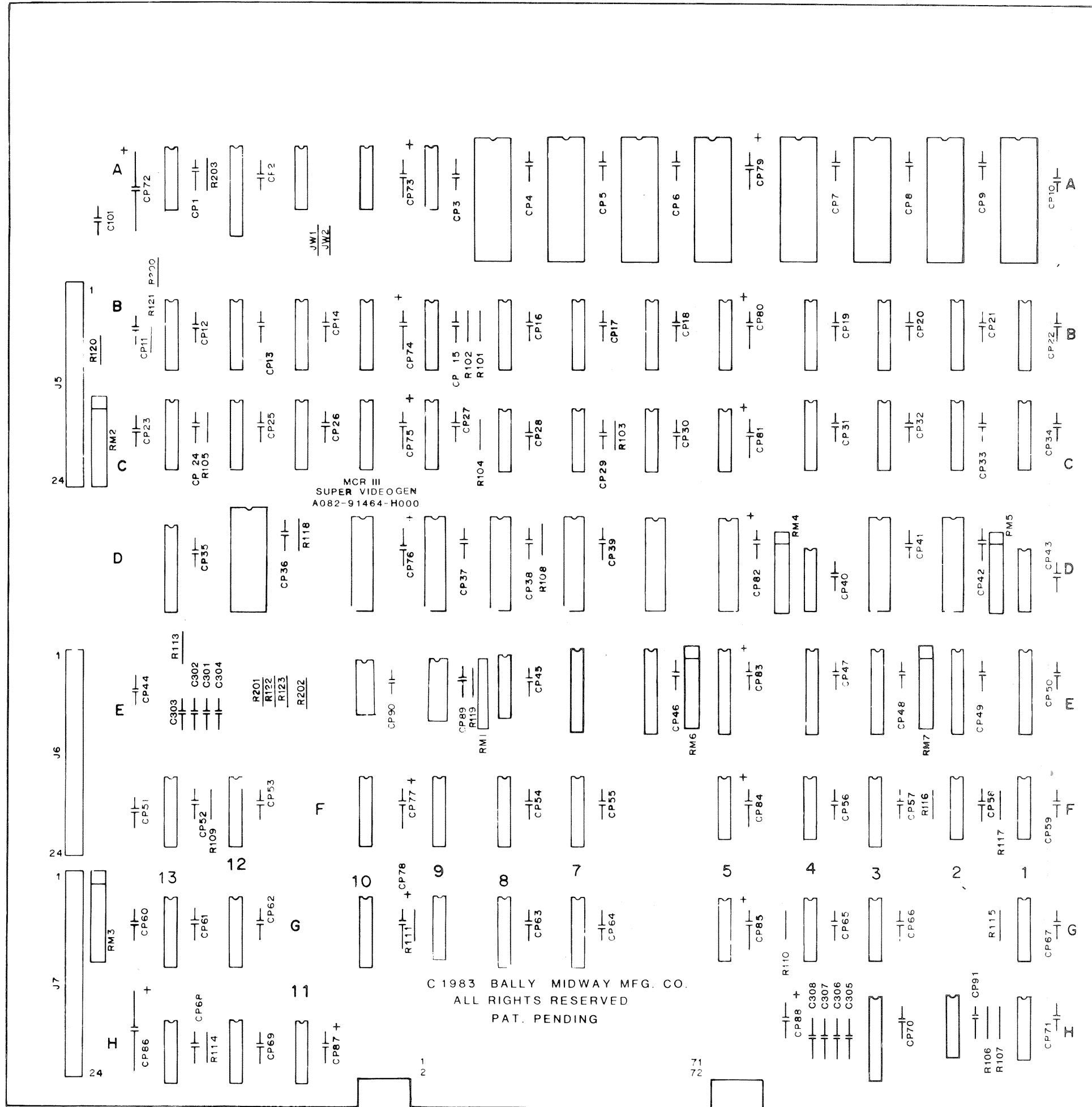
1	1.0	1.0	1.0
2	1.0	1.0	1.0
3	1.0	1.0	1.0
4	1.0	1.0	1.0
5	1.0	1.0	1.0
6	1.0	1.0	1.0
7	1.0	1.0	1.0
8	1.0	1.0	1.0
9	1.0	1.0	1.0
10	1.0	1.0	1.0
11	1.0	1.0	1.0
12	1.0	1.0	1.0
13	1.0	1.0	1.0
14	1.0	1.0	1.0
15	1.0	1.0	1.0
16	1.0	1.0	1.0
17	1.0	1.0	1.0
18	1.0	1.0	1.0
19	1.0	1.0	1.0
20	1.0	1.0	1.0
21	1.0	1.0	1.0
22	1.0	1.0	1.0
23	1.0	1.0	1.0
24	1.0	1.0	1.0
25	1.0	1.0	1.0
26	1.0	1.0	1.0
27	1.0	1.0	1.0
28	1.0	1.0	1.0
29	1.0	1.0	1.0
30	1.0	1.0	1.0
31	1.0	1.0	1.0
32	1.0	1.0	1.0
33	1.0	1.0	1.0
34	1.0	1.0	1.0
35	1.0	1.0	1.0
36	1.0	1.0	1.0
37	1.0	1.0	1.0
38	1.0	1.0	1.0
39	1.0	1.0	1.0
40	1.0	1.0	1.0
41	1.0	1.0	1.0
42	1.0	1.0	1.0
43	1.0	1.0	1.0
44	1.0	1.0	1.0
45	1.0	1.0	1.0
46	1.0	1.0	1.0
47	1.0	1.0	1.0
48	1.0	1.0	1.0
49	1.0	1.0	1.0
50	1.0	1.0	1.0
51	1.0	1.0	1.0
52	1.0	1.0	1.0
53	1.0	1.0	1.0
54	1.0	1.0	1.0
55	1.0	1.0	1.0
56	1.0	1.0	1.0
57	1.0	1.0	1.0
58	1.0	1.0	1.0
59	1.0	1.0	1.0
60	1.0	1.0	1.0
61	1.0	1.0	1.0
62	1.0	1.0	1.0
63	1.0	1.0	1.0
64	1.0	1.0	1.0
65	1.0	1.0	1.0
66	1.0	1.0	1.0
67	1.0	1.0	1.0
68	1.0	1.0	1.0
69	1.0	1.0	1.0
70	1.0	1.0	1.0
71	1.0	1.0	1.0
72	1.0	1.0	1.0

DESIGNATION LIST

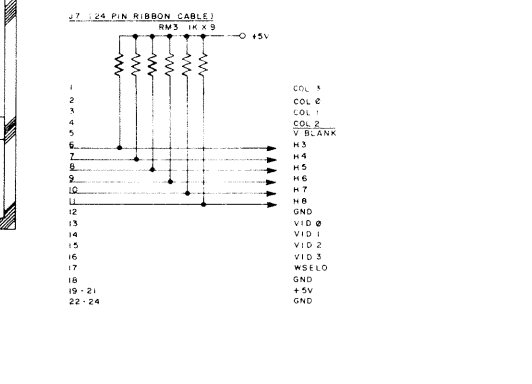
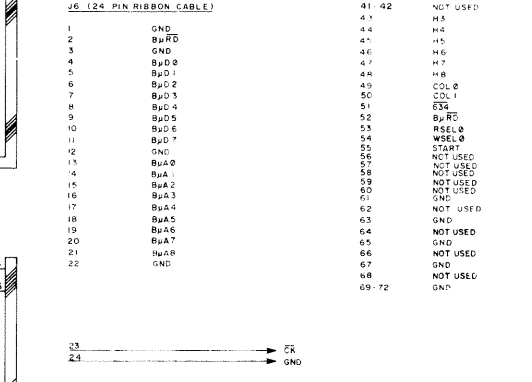
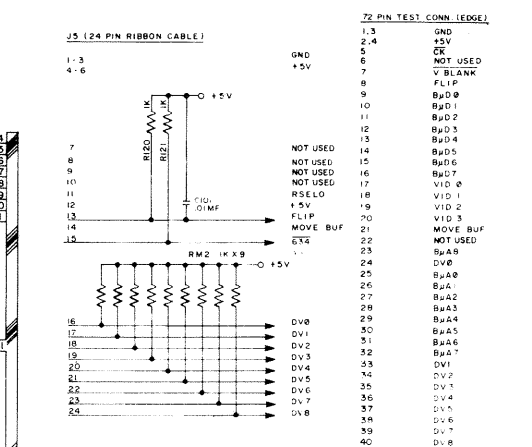
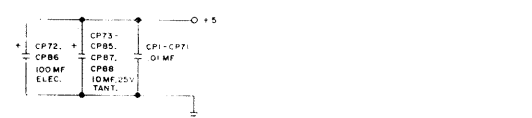
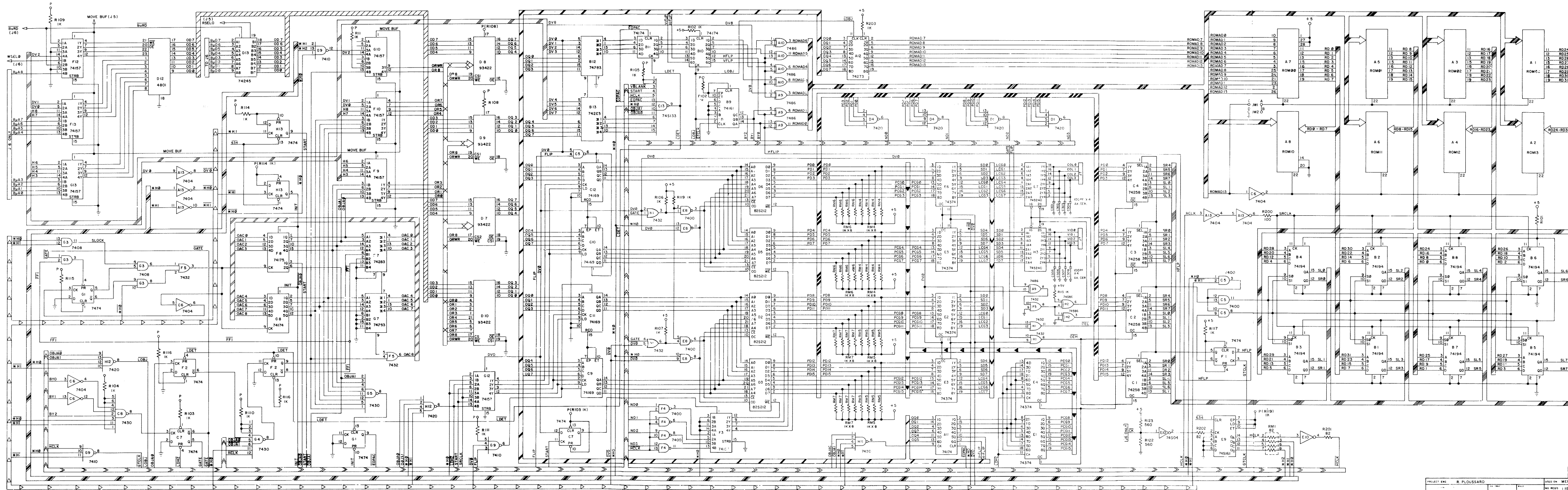
DESIGNATION	DESCRIPTION	DESIGNATION	DESCRIPTION
C101	.01 MF AX CER	IC 1D	7420
C301-C308	100 PF AX CER	IC 2D	93479
CP1-CP71	.01 MF AX CER	IC 3D	93479
CP72, CP86	100 MF AX ELECT.	IC 4D	7420
CP73-CP85, CP87, CP88	10 MF 25V AX TANT.	IC 5D	93479
CP89, CP90, CP91	.01MF AX. CER.	IC 6D	93479
		IC 7D	93422
		IC 8D	93422
		IC 9D	93422
R101-R111, R113-R121	1K OHM 1/4W	IC 10D	93422
R122, R123	560 OHM 1/4W	IC 12D	STAT. RAM
R200	100 OHM 1/4W	IC 13D	74LS245
R201, R202	82 OHM 1/4W		
R203	1K OHM 1/4W	IC 1E	74LS374
		IC 2E	74LS374
		IC 3E	74LS374
RM1	82 OHM 8 PIN SIP	IC 4E	74LS374
RM 2	1K 10 PIN SIP	IC 5E	74LS374
RM 3	1K 10 PIN SIP	IC 6E	74LS374
RM 4	1K 9 PIN SIP	IC 7E	74LS240
RM 5	1K 9 PIN SIP	IC 8E	74LS00
RM 6	1K 9 PIN SIP	IC 9E	74S161
RM 7	1K 9 PIN SIP	IC 10E	74S04
		IC 1F	74LS74
IC 1A	EPROM	IC 2F	74LS74
IC 2A	EPROM	IC 3F	74LS157
IC 3A	EPROM	IC 4F	74S00
IC 4A	EPROM	IC 5F	74LS32
IC 5A	EPROM	IC 7F	74LS283
IC 6A	EPROM	IC 8F	74LS175
IC 7A	EPROM	IC 9F	74LS157
IC 8A	EPROM	IC 10F	74LS157
IC 9A	74LS86	IC 12F	74LS157
IC 10A	74LS86	IC 13F	74LS157
IC 11A	74LS174	IC 1G	74LS74
IC 12A	74LS273	IC 3G	74S08
IC 13A	74S04	IC 4G	74LS30
		IC 5G	74LS30
IC 1B	74LS194	IC 7G	74LS283
IC 2B	74LS194	IC 8G	74LS174
IC 3B	74LS194	IC 9G	74LS10
IC 4B	74LS194	IC 10G	74LS157
IC 5B	74LS194	IC 12G	74LS157
IC 6B	74LS194	IC 13G	74LS157
IC 7B	74LS194		
IC 8B	74LS194	IC 1H	74LS32
IC 9B	74LS161	IC 2H	74S86
IC 10B	74LS174	IC 3H	74LS240
IC 11B	74LS174	IC 11H	7420
IC 12B	74S283	IC 12H	7420
IC 13B	74S283	IC 13H	74LS74
		ICS1A-ICS8A	28 PIN SOCKET
IC 1C	74LS258	ICS D2, D3, D5-D10	22 PIN SOCKET
IC 2C	74LS258	ICS D12	24 PIN SOCKET
IC 3C	74LS258		
IC 4C	74LS258	J5, J6, J7	KK100 RT. ANGLE 24 PIN CONN.
IC 5C	74LS00		
IC 6C	74LS04		
IC 7C	74LS74	JW 1, JW2	JUMPER WIRE
IC 8C	74LS30		
IC 9C	74LS169	MCR III SUPER VIDEO GEN.	A082-91464-H000
IC 10C	74LS169		
IC 11C	74LS169		
IC 12C	74LS169		
IC 13C	74S133		

CROSS REFERENCE LIST

DESCRIPTION	QTY	DESIGNATION NO.	PART NOS.
CAP 100PF	8	C301-C308	0986-00800-1000
CAP .01MF	75	C101, CP1-CP71, CP89, CP90, CP91	0986-00800-2500
CAP 10MF	15	CP73-CP85, CP87, CP88	0986-00800-2400
CAP 100MF	2	CP72, CP86	0986-00800-1800
82 OHM 1/4 W RES.	2	R201, R202	0062-10483-1XXX
100 OHM 1/4 W RES.	1	R200	0062-110B3-1XXX
1K OHM 1/4 W RES.	21	R101-R111, R113-R121, R203	0062-17983-1XXX
560 OHM 1/4W RES.	2	R122, R123	0062-16283-1XXX
8 PIN SIP	82 OHM	RM1	0333-00804-0004
9 PIN SIP	1K OHM	RM4, RM7	0304-00804-0002
10 PIN SIP	1K OHM	RM2, RM3	0986-00804-1000
74S00	1	4F	0304-00803-0047
74LS00	2	5C, 8E	0304-00803-0010
74S04	2	13A, 10E	0304-00803-0011
74LS04	1	6C	0304-00803-0012
74S08	1	3G	0304-00803-0037
74LS10	1	9G	0304-00803-0014
7420	4	1D, 4D, 11H, 12H	0304-00803-0015
74LS30	3	8C, 4G, 5G	0304-00803-0016
74LS32	2	5F, 1H	0304-00803-0017
74LS74	5	7C, 1F, 2F, 1G, 13H	0304-00803-0018
74S86	1	2H	0304-00803-0049
74LS86	2	9A, 10A	0304-00803-0019
74S133	1	13C	0304-00803-0020
74LS157	8	3F, 9F, 10F, 12F, 13F, 10G, 12G, 13G	0304-00803-0021
74S161	1	9E	0304-00803-0038
74LS161	1	9B	0304-00803-0022
74LS169	4	9C-12C	0304-00803-0023
74LS174	4	11A, 10B, 11B, 8G	0304-00803-0024
74LS175	1	8F	0304-00803-0025
74LS194	8	1B-8B	0304-00803-0026
74LS240	2	7E, 3H	0304-00803-0050
74LS245	1	13D	0304-00803-0027
74LS258	4	1C-4C,	0304-00803-0028
74LS273	1	12A	0304-00803-0029
74S283	2	12B, 13B	0304-00803-0039
74LS283	2	7F, 7G	0304-00803-0030
74LS374	6	1E-6E	0304-00803-0031
93422	4	7D-10D	0304-00803-0032
93479	4	2D, 3D, 5D, 6D	0304-00803-0033
STAT. RAM	1	12D	0304-00803-0034
EPROM KIT	8	IC 1A - 8A	0383-00803-0002
28 PIN SOCKET	8	ICS 1A-8A	0986-00804-0300
22 PIN SOCKET	8	ICS 2D, 3D, 5D, 6D, 7D-10D	0986-00804-0700
24 PIN SOCKET	1	ICS 12D	0986-00804-1600
KK100 RT. ANGLE	3	J5, J6, J7	0986-00804-4700
24 PIN CONN.			
JUMPER WIRE	2	JW1, JW2	0986-00805-0200
MCR III SUPER VIDEO GEN.			A082-91464-H000



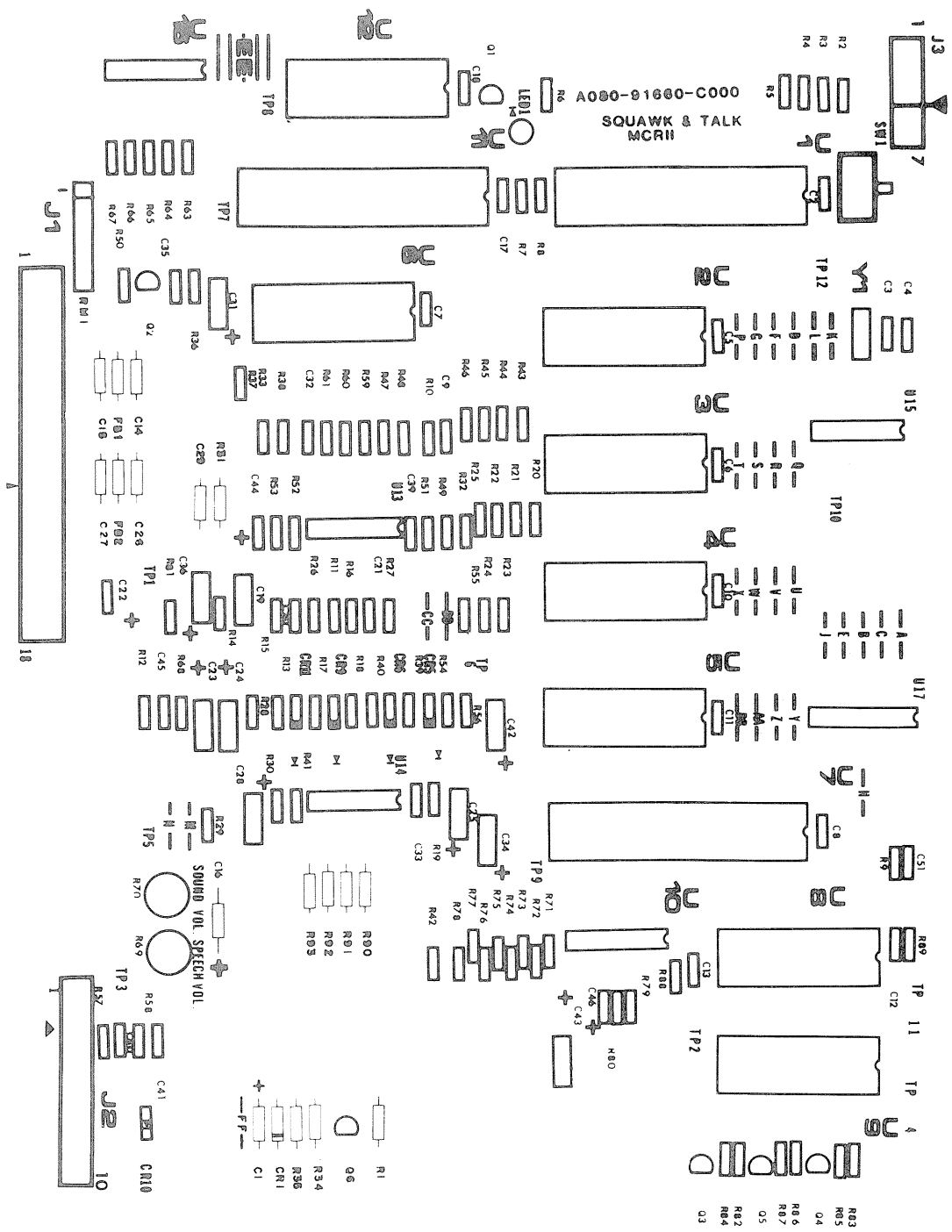
SCALE		USED ON DISCS OF TRON		REVISIONS	
FULL		NO. REQ'D I PER		Bally / MIDWAY MFG. CO.	
SUPER VIDEO GEN. MCR III		PART NO.		FRANKLIN PK ILL	
ASSY DWG		M051 - 00696 - A012			
A082-91464-H000					



PROJECT ENG	R. PLOUSSARD	DATE	NOV 11 1968	REV	NO REV	BY	MEY III	DESIGNED BY	MEY III	DATE	NOV 11 1968
SCHEMATIC DWG			SUPER VIDEO GEN. MCR III			MIDWAY MFG. CO.			MIDWAY MFG. CO.		
DRAWN BY			D. J. BROWN			MIDWAY MFG. CO.			MIDWAY MFG. CO.		
CHECKED BY			R. PLOUSSARD			MIDWAY MFG. CO.			MIDWAY MFG. CO.		
DATE			NOV 11 1968			MIDWAY MFG. CO.			MIDWAY MFG. CO.		
PART NO.			06-2383			MIDWAY MFG. CO.			MIDWAY MFG. CO.		
REV			NO REV			MIDWAY MFG. CO.			MIDWAY MFG. CO.		
BY			MEY III			MIDWAY MFG. CO.			MIDWAY MFG. CO.		
DATE			NOV 11 1968			MIDWAY MFG. CO.			MIDWAY MFG. CO.		
REV			NO REV			MIDWAY MFG. CO.			MIDWAY MFG. CO.		
BY			MEY III			MIDWAY MFG. CO.			MIDWAY MFG. CO.		
DATE			NOV 11 1968			MIDWAY MFG. CO.			MIDWAY MFG. CO.		

DESCRIPTION LIST

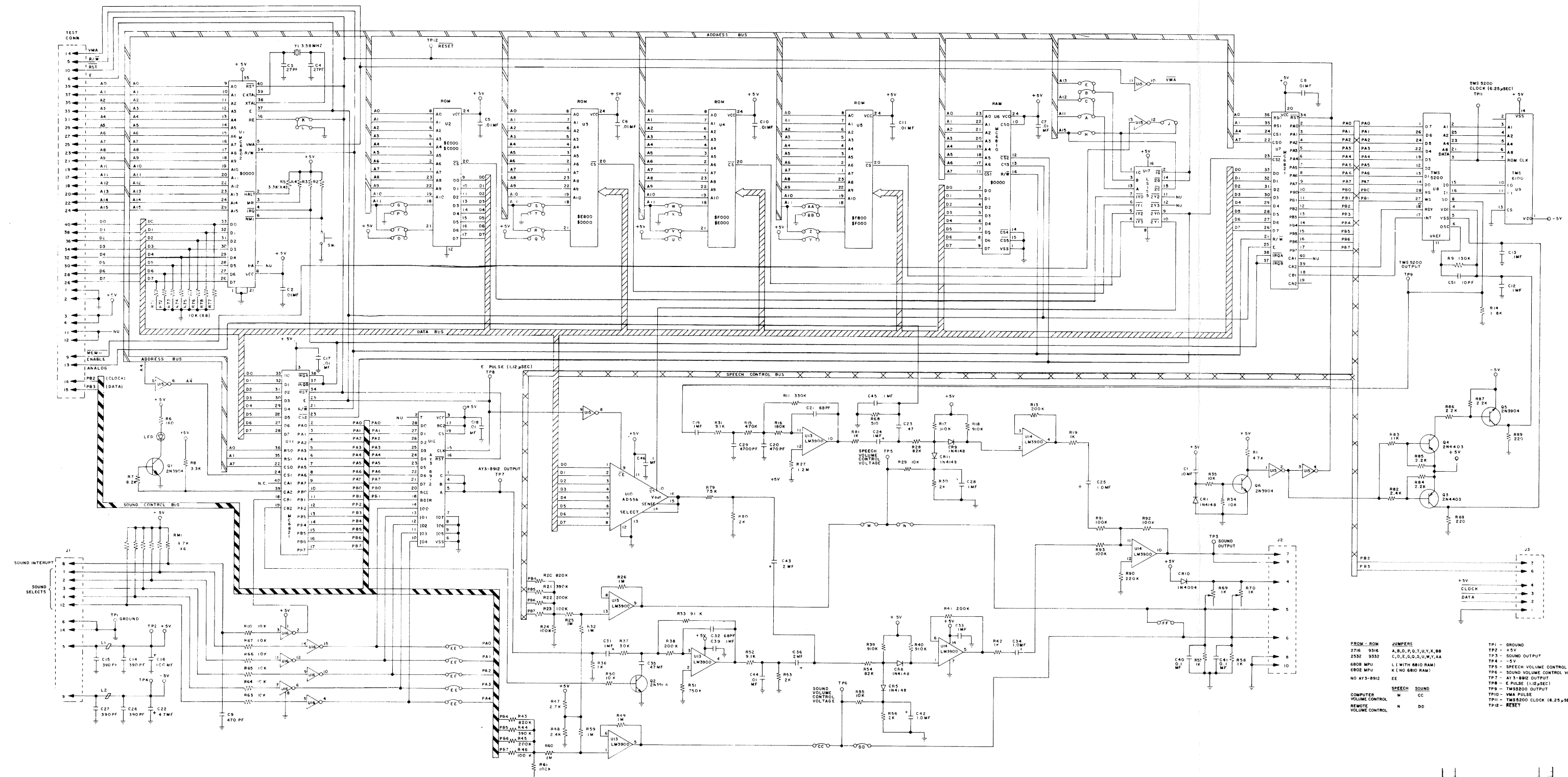
DESIGNATION NO.	DESCRIPTION	DESIGNATION NO.	DESCRIPTION
C1	10 MF TANT.	R54	82K 1/4W 5%
C2	.01 MF 25/50V CER	R55	10K 1/4W 5%
C3,C4	27 PF 100V AX CER	R56	2K 1/4W 5%
C5-C8	.01 MF 25/50V CER	R57	NOT USED
C9	470 PF 50V AX CER	R58	1K 1/4W 5%
C10,C11	.01 MF 25/50V CER	R59,R60	1 MEG
C12,C13	.1 MF 25V AX CER	R61	100K 1/4W 5%
C14,C15	390 PF 50V AX CER	R62	NOT USED
C16	100 MF TANT.	R63-R67	10K 1/4W 5%
C17,C18	.01 MF 25/50V CER	R68	510 OHM 1/4W 5%
C19	1 MF 25/50V ELECT	R69,R70	NOT USED
C20	470 PF 50V AX CER	R71-R78	10K 1/4W 5%
C21	68 PF 100V AX CER	R79	7.5K 1/4W 5%
C22	4.7 MF 25V TANT	R80	2K 1/4W 5%
C23	.47 MF 12/16V AX	R81	1K 1/4W 5%
C24,C25	1 MF 25/50V ELECT	R82	2.4K 1/4W 5%
C26,C27	390 PF 50V AX CER	R83	11K 1/4W 5%
C28	1 MF 25/50V ELECT	R84-R87	2.2K 1/4W 5%
C29	.0047 MF AX CER	R88,R89	220 OHM 1/4W 5%
C30	NOT USED	R90	220K 1/4W 5%
C31	NOT USED	R91-R93	100K 1/4W 5%
C32	68 PF 100V AX CER	RM1	4.7K 8 PIN SIP
C33	.1 MF 25V AX CER	CR1	1N4148 DIODE
C34	1 MF 25/50V ELECT	CR2-CR4	NOT USED
C35	NOT USED	CR5,CR6	1N4148 DIODE
C36	NOT USED	CR7,CR8	NOT USED
C37	NOT USED	CR9	1N4148 DIODE
C38	NOT USED	CR10	1N4004 DIODE
C39	.1 MF 25V AX CER	CR11	1N4148 DIODE
C40	NOT USED	LED 1	GREEN LED
C41	.1 MF 25V AX CER	Q1	2N3904 NPN TRANS.
C42	1 MF 25/50V ELECT	Q2	NOT USED
C43	2 MF 25V ELECT	Q3,Q4	2N4403 PNP TRANS.
C44	NOT USED	Q5,Q6	2N3904 NPN TRANS.
C45,C46	.1 MF 25V AX CER	U1	6802 CPU
C47-C50	NOT USED	U2-U5	EPROM KIT
C51	10 PF 50V AX	U6	NOT USED
R1	4.7K 1/4W 5%	U7	6821 P.I.A.
R2-R5	3.3K 1/4W 5%	U8	TMS 5200 SPEECH CHIP
R6	160 OHM 1/4W 5%	U9	NOT USED
R7	8.2K 1/4W 5%	U10	AD 558
R8	3.3K 1/4W 5%	U11	6821 P.I.A.
R9	130K 1/4W 5%	U12	NOT USED
R10	10K 1/4W 5%	U13,U14	LM3900 QUAD OP-AMP
R11	330K 1/4W 5%	U15	74LS14 HEX SCHMIT INV.
R12	1K 1/4W 5%	U16	4049 HEX INV.
R13	200K 1/4W 5%	U17	74LS155 DEC/DHUIT
R14	1.8K 1/4W 5%	FB1,FB2	FERRITE BEAD
R15	470K 1/4W 5%	ICS U1	40 PIN DIP SOCKET
R16	180K 1/4W 5%	ICS U2-U6	24 PIN DIP SOCKET
R17,R18	910K 1/4W 5%	ICS U7	40 PIN DIP SOCKET
R19	1K 1/4W 5%	ICS U8	28 PIN DIP SOCKET
R20	820K 1/4W 5%	ICS U9	NOT USED
R21	390K 1/4W 5%	ICS U10	16 PIN DIP SOCKET
R22	200K 1/4W 5%	ICS U11	40 PIN DIP SOCKET
R23,R24	100K 1/4W 5%	ICS U12	NOT USED
R25,R26	1 MEG.	J1	(17) KK156 AUTO INSERT PINS
R27	1.2 MEG	J2	(9) KK156 AUTO INSERT PINS
R28	82K 1/4W 5%	Y1	3.58 MHZ CRYSTAL
R29	10K 1/4W 5%	SW1	P.C.B. MOUNT SWITCH
R30	2K 1/4W 5%	A080-91660-C000	SQUAWK & TALK P.C.B.
R31	9.1K 1/4W 5%		
R32	1 MEG.		
R33	91K 1/4W 5%		
R34,R35	10K 1/4W 5%		
R36	1K 1/4W 5%		
R37	NOT USED		
R38	200K 1/4W 5%		
R39,R40	910K 1/4W 5%		
R41	200K 1/4W 5%		
R42	1K 1/4W 5%		
R43	820K 1/4W 5%		
R44	390K 1/4W 5%		
R45	200K 1/4W 5%		
R46	100K 1/4W 5%		
R47	2.7K 1/4W 5%		
R48	2.4K 1/4W 5%		
R49	1 MEG		
R50	NOT USED		
R51	750K 1/4W 5%		
R52	NOT USED		
R53	NOT USED		



DESCRIPTION	QTY	DESIGNATION NO.	PART NOS.	DESCRIPTION	QTY	DESIGNATION NO.	PART NOS.
10 PF 50V AX CER	1	C51	0360-00800-0038	4.7K S.I.P.	1	RM1	0986-00804-5000
27 PF 100V AX CER	2	C3,C4	0360-00800-0009	1N4004 DIODE	1	CR10	0360-00801-0002
68 PF 100V AX CER	2	C21,C32	0360-00800-0010	1N4148 DIODE	5	CR1,CR5,CR6,CR9,CR11	0360-00801-0003
390 PF 50V AX CER	4	C14,C15,C26,C27	0360-00800-3000	LED, GREEN	1	LED 1	0360-00804-0015
470 PF 50V AX CER	2	C9,C20	0360-00800-0002	2N3904 NPN	3	Q1,Q5,Q6	0360-00802-0003
.0047 UF	1	C29	0986-00800-3506	2N4403 PNP	2	Q3,Q4	0360-00802-0004
.01 MF 25/50V CER	9	C2,C5-C8,C10,C11,C17,C18	0360-00800-0005	AD559 D.A.C.	1	U10	0360-00803-0033
.1 MF 25V AX CER	7	C12,C13,C33,C39,C41,C45,C46	0360-00800-0014	LM3900 QUAD OP-AMP	2	U13,U14	0360-00803-0002
.47 MF 12/16V TANT	1	C23	0360-00800-0017	4049 HEX INV	1	U16	0360-00803-0011
1 MF 25/50V ELECT	6	C19,C24,C25,C28,C34,C42	0360-00800-0018	74LS14 HEX SCHMIT INV.	1	U15	0360-00803-0037
2 MF 25V ELECT	1	C43	0360-00800-0019	74LS155 DEC DHULT	1	U17	0360-00803-0034
4.7 MF 25V TANT	1	C22	0360-00800-0008	TMS 5200 SPEECH CHIP	1	U8	0360-00803-1013
10 MF 25/35V TANT	1	C1	0986-00800-3505	MC 6802 CPU	1	U1	0986-00803-1012
100 MF 25/35V TANT	1	C16	0986-00800-3504	MC 6821 P.I.A.	2	U7,U11	0360-00803-0017
160 OHM 1/4W 5%	1	R6	0062-124B3-1XXX	FERRITE BEAD	2	FB1,FB2	0316-00804-0002
220 OHM 1/4W 5%	2	R88,R89	0062-133B3-1XXX	16 PIN DIP SOCKET	1	ICS U10	0360-00804-0026
510 OHM 1/4W 5%	1	R68	0062-159B3-1XXX	24 PIN DIP SOCKET	5	ICS U2-U6	0360-00804-0017
1K OHM 1/4W 5%	6	R12,R19,R36,R42,R58,R81	0062-179B3-1XXX	28 PIN DIP SOCKET	1	ICS U82	0360-00804-0028
1.8K OHM 1/4W 5%	1	R14	0062-191B3-1XXX	40 PIN DIP SOCKET	3	ICS U1,U7,U11	0360-00804-0018
2K OHM 1/4W 5%	3	R30,R56,R80	0062-193B3-1XXX	KK156 AUTO INSERT PINS	26	J1,J2	0017-00033-0480
2.2K OHM 1/4W 5%	4	R84-R87	0062-195B3-1XXX	JUMPER TIN 22 AWG	31	A-P,R-T,U-X,Z-FF	0069-230XX-XBKX
2.4K OHM 1/4W 5%	2	R48,R82	0062-197B3-1XXX	ZERO OHM JUMPER	3	U,P,Y	0360-00804-0023
2.7K OHM 1/4W 5%	1	R47	0062-199B3-1XXX	3.58 MHZ CRYSTAL	1	Y1	0360-00804-0019
3.3K OHM 1/4W 5%	5	R2-R5,R8	0062-203B3-1XXX	P.C.B. MOUNT SWITCH	1	SW1	0017-00032-0038
4.7K OHM 1/4W 5%	1	R1	0062-211B3-1XXX	SQUAWK & TALK P.C.B.	1		A080-91660-C000
7.5K OHM 1/4W 5%	1	R79	0062-221B3-1XXX				
8.2K OHM 1/4W 5%	1	R7	0062-223B3-1XXX				
9.1K OHM 1/4W 5%	1	R31	0062-225B3-1XXX				
10K OHM 1/4W 5%	16	R10,R29,R55,R63-R67,R71-R78	0062-227B3-1XXX				
11K OHM 1/4W 5%	1	R83	0062-229B3-1XXX				
82K OHM 1/4W 5%	2	R28,R54	0062-271B3-1XXX				
91K OHM 1/4W 5%	1	R33	0062-273B3-1XXX				
100K 1/4W 5%	9	R23,R24,R34,R35,R46,R61,R91-R93	0062-275B3-1XXX				
130K OHM 1/4W 5%	1	R9	0062-282B3-1XXX				
180K OHM 1/4W 5%	1	R16	0062-287B3-1XXX				
200K OHM 1/4W 5%	5	R13,R22,R38,R41,R45	0062-289B3-1XXX				
220K OHM 1/4W 5%	1	R90	0062-291B3-1XXX				
330K OHM 1/4W 5%	1	R11	0062-299B3-1XXX				
390K OHM 1/4W 5%	2	R21,R44	0062-303B3-1XXX				
470K OHM 1/4W 5%	1	R15	0062-307B3-1XXX				
750K OHM 1/4W 5%	1	R51	0062-317B3-1XXX				
820K OHM 1/4W 5%	2	R20,R43	0062-319B3-1XXX				
910K OHM 1/4W 5%	4	R17,R18,R39,R40	0062-321B3-1XXX				
1 MEG.	6	R25,R26,R32,R49,R59,R60	0062-323B3-1XXX				
1.2 MEG.	1	R27	0062-327B3-1XXX				

CROSS REFERENCE LIST

PROJECT ENG: R. KOHAN		USED ON MCR II		REVISIONS	
DO NOT SCALE DWG		HEAT TREAT	SCALE FULL	NO. REQ'D PER	
DIM TOLERANCES UNLESS SPECIFIED		DRILL	FINISH	PART NO	
DATE 08/12/83		SQUAWK & TALK ASSEMBLY DWG A084-91660-C000		M051-00986-C036	
		FRANKLIN PK ILL		Baby / MIDWAY MFG. CO.	



ROM - ROM JUMPER
 2716 2716 A,B,D,P,Q,T,U,V,X,BB
 2532 2532 C,D,E,I,Q,S,U,W,Y,AA
 8000 MPU L (WITH 8000 RAM)
 8002 MPU L (NO 8000 RAM)
 NO AT3-B12 EE
 COMPUTER VOLUME CONTROL M CC
 SPEECH VOLUME CONTROL N DD

TP1 - GROUND
 TP2 - GROUND
 TP3 - SOUND OUTPUT
 TP4 - -5V
 TP5 - SPEECH VOLUME CONTROL VOLTAGE
 TP6 - SOUND VOLUME CONTROL VOLTAGE
 TP7 - AT3-B12 OUTPUT
 TP8 - PULSE (1/2 SEC)
 TP9 - TMS8200 OUTPUT
 TP10 - VMA PULSE
 TP11 - TMS8200 CLOCK (16.25 SEC)
 TP12 - RESET

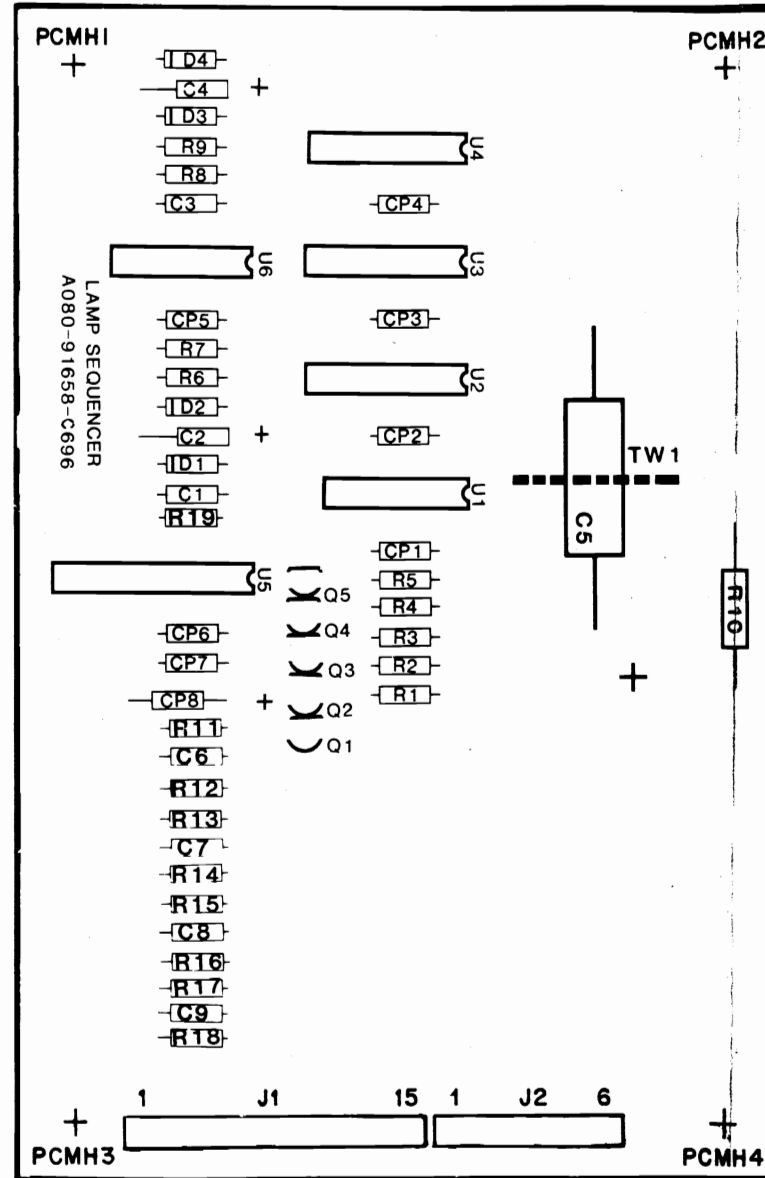
PROJECT	DATE	BY	REV	DESCRIPTION
480-91640-000	7-21-83	B. KHAN	1	ASSEMBLY
PROJECT 480-91640-000 PART NO. 480-91640-000 MFG. CO. MIDWAY MFG. CO. MFG. NO. 00988 - 0037				

DESIGNATION LIST

DESIGNATION NO.	DESCRIPTION
C1	.01 MF 50V AX CER
C2	10 MF 25V AX TANT
C3	.01 MF 50V AX CER
C4	10 MF 25V AX TANT
C5	4700 MF 25V AX ELEC
C6-C9	100 PF 50V AX CER
CP1-CP7	.01 MF 50V AX CER
CP8	10 MF 16V AX ELEC
R1-R5	160 OHM 1/4W 5%
R6,R7	10K OHM 1/4W 5%
R8,R9	5.1K OHM 1/4W 5%
R10	2.2 OHM 1W 5%
R11	10K OHM 1/4W 5%
R12	100K OHM 1/4W 5%
R13	10K OHM 1/4W 5%
R14	100K OHM 1/4W 5%
R15	10K OHM 1/4W 5%
R16	100K OHM 1/4W 5%
R17	10K OHM 1/4W 5%
R18	100K OHM 1/4W 5%
R19	10K OHM 1/4W 5%
D1-D4	1N4148 DIODE
Q1-Q5	MPS 2222A TRANS
U1	7406
U2	BI-POLAR PROM
U3	74160
U4	74LS157
U5	74HC374
U6	556
ICS U2	IC SOCKET
J1	.025 SQ AUTO WIRE
J2	.045 SQ AUTO WIRE
PCMH1-PCMH4	SPACER #8
PC BOARD	A080-91658-C696

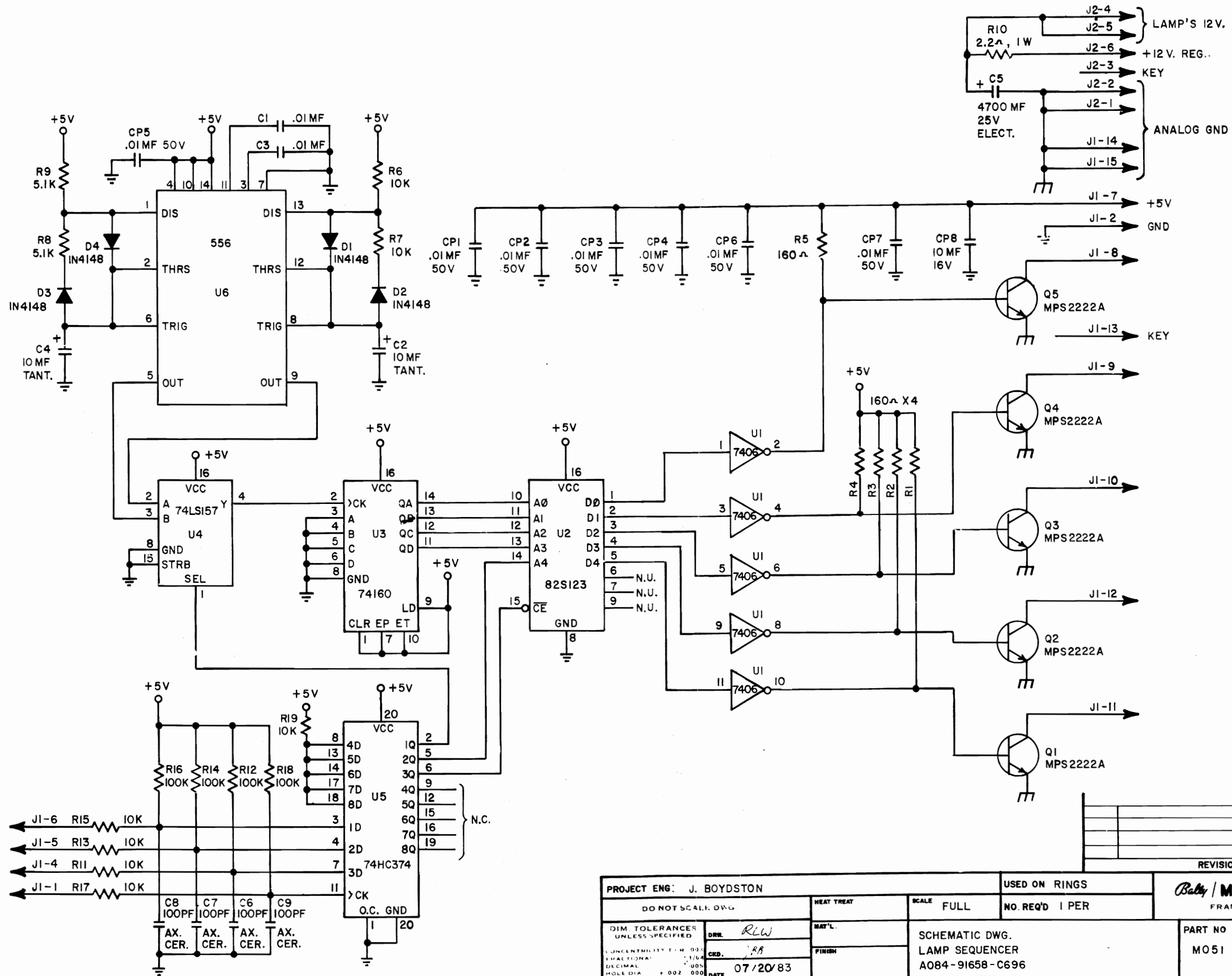
CROSS REFERENCE LIST

DESCRIPTION	QTY	DESIGNATION NO.	PART NOS.
100 PF 50V AX CER	4	C6-C9	0639-00800-0003
.01 MF 50V AX CER	9	C1,C3,CP1-CP7	0628-00800-0100
10 MF 16V AX ELEC	1	CP8	0628-00800-0300
10 MF 25V AX TANT	2	C2,C4	0696-00800-0001
4700 MF 25V AX ELEC	1	C5	0383-00800-0006
2.2 OHM 1W 5%	1	R10	0062-034F3-1XXX
160 OHM 1/4W 5%	5	R1-R5	0062-124B3-1XXX
5.1 OHM 1/4W 5%	2	R8,R9	0062-213B3-1XXX
10K OHM 1/4W 5%	7	R6,R7,R11,R13, R15,R17,R19	0062-227B3-1XXX
100K OHM 1/4W 5%	4	R12,R14,R16,R18	0062-275B3-1XXX
1N4148 DIODE	4	D1-D4	0696-00801-0001
MPS 2222A TRANS	5	Q1-Q5	0639-00802-0001
556	1	U6	0696-00803-0003
7406	1	U1	0696-00803-0005
74LS157	1	U4	0696-00803-0004
74160	1	U3	0696-00803-0006
74HC374	1	U5	0696-00803-0001
BI-POLAR PROM	1	U2	0696-00803-0002
IC SOCKET 16 PIN	1	ICS U2	0986-00804-3700
.025 SQ AUTO WIRE	14	J1	0017-00033-0479
.045 SQ AUTO WIRE	5	J2	0017-00033-0480
SPACER #8	4	PCMH1-PCMH4	0017-00042-0320
PC BOARD	1		A080-91658-C696



REVISIONS	

PROJECT ENG: J. BOYDSTON		USED ON RINGS		Bally / MIDWAY MFG. CO. FRANKLIN PK. ILL.
DO NOT SCALE DWG.		HEAT TREAT	SCALE FULL	
DIM. TOLERANCES, UNLESS SPECIFIED		NO. REQ'D 1 PER		PART NO. M051 - 00696 - C009
CONCENTRICITY ± 0.005		LAMP SEQUENCER ASSEMBLY DWG		
FRACTIONAL ± 1/64		A080-91658-C696		
DECIMAL ± 0.005				
HOLE DIA + 0.02 0.00		DATE 8/03/83		

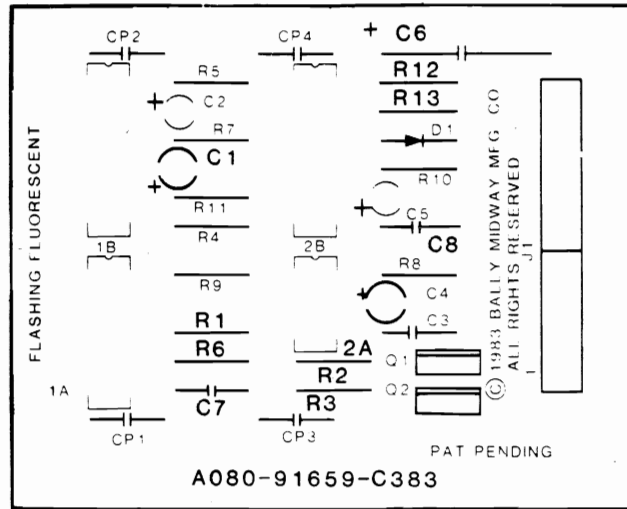


REVISIONS	

PROJECT ENG: J. BOYDSTON		USED ON RINGS		Bally / MIDWAY MFG. CO.	
DO NOT SCALE DWG		HEAT TREAT	SCALE FULL	FRANKLIN PK. ILL.	
DIM. TOLERANCES UNLESS SPECIFIED		NO. REQ'D 1 PER		PART NO	
CONCENTRICITY ± 0.005		SCHEMATIC DWG.		M051 - 00696 - C010	
FUNCTIONAL ± 0.005		LAMP SEQUENCER			
DECIMAL ± 0.005		A084-91658-C696			
HOLE DIA + 0.02 0.00		DATE 07/20/83			

DESIGNATION LIST

DESIGNATION NO.	DESCRIPTION
C1, C2	1.0 MF TANT
C3	0.1 MF AX CER
C4	1.0 MF TANT
C5	10 MF TANT
C6	100 MF TANT
C7, C8	100 PF AX CER
CP1-CP4	0.1 MF AX CER
R1	10K OHM 1/4 5%
R2, R3	200 OHM 1/4 5%
R4	100K OHM 1/4 5%
R5	15K OHM 1/4 5%
R6	100K OHM 1/4 5%
R7	1K OHM 1/4 5%
R8, R9	56K OHM 1/4 5%
R10	470K OHM 1/4 5%
R11	1K OHM 1/4 5%
R12	100K OHM 1/4 5%
R13	10K OHM 1/4W 5%
D1	1N4148 DIODE
Q1, Q2	TIP 110 NPN DARLING XSTR
1A	74LS74
2A	555 TIMER
1B	74123
2B	4050
J1	.045 SQ AUTO WIRE
	FLASHING FLUOR. P.C.B.

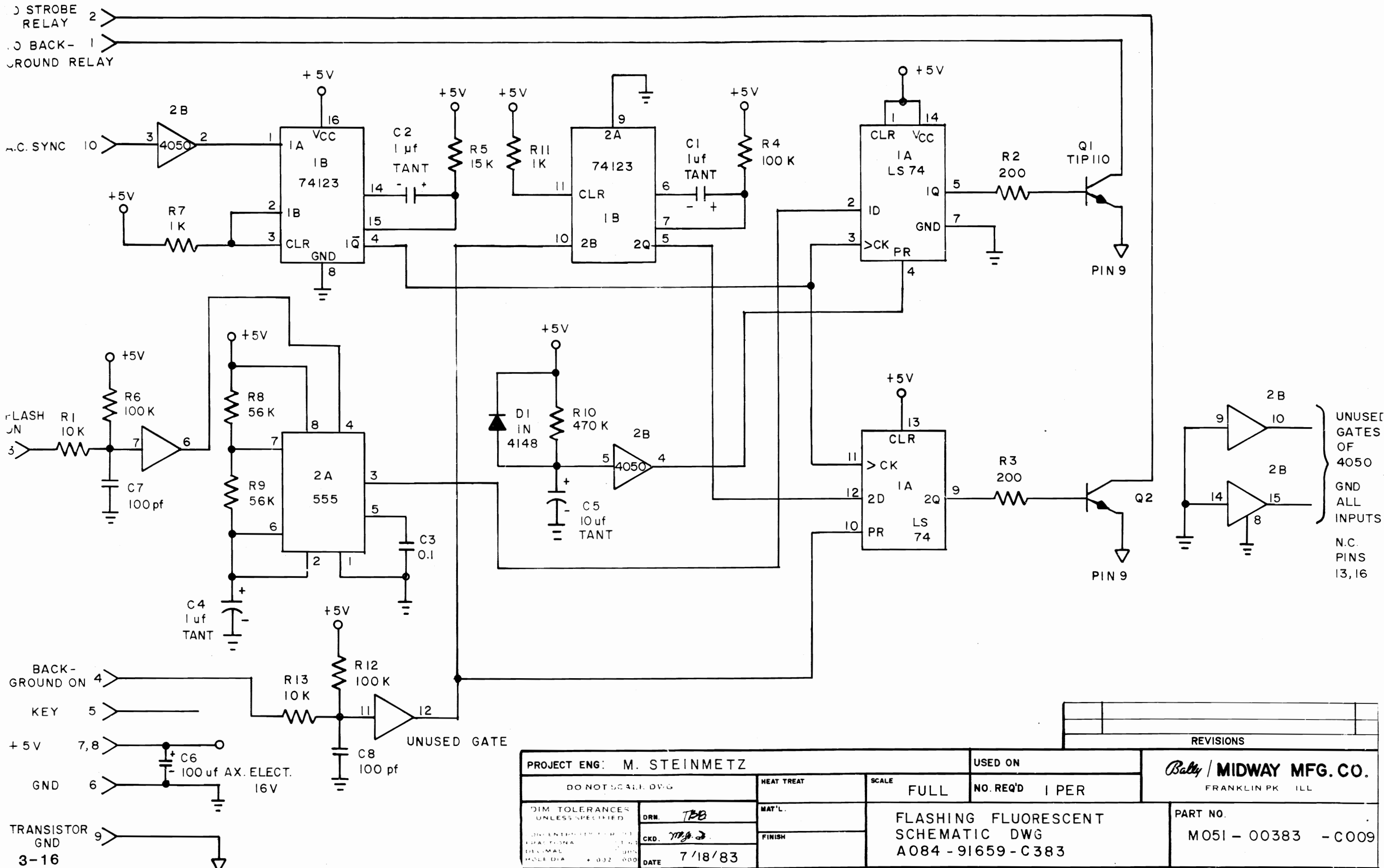


CROSS REFERENCE LIST

DESCRIPTION	QTY	DESIGNATION NO.	PART NOS.
100 PF AX CER	2	C7, C8	0383-00800-0001
0.1 MF AX CER	5	CP1-CP4, C3	0383-00800-0002
1.0 MF TANT	3	C1, C2, C4	0383-00800-0003
10 MF TANT	1	C5	0383-00800-0004
100 MF AX ELEC	1	C6	0383-00800-0005
200 OHM 1/4W 5%	2	R2, R3	0062-130B3-1XXX
1K OHM 1/4W 5%	2	R7, R11	0062-179B3-1XXX
10K OHM 1/4W 5%	2	R1, R13	0062-227B3-1XXX
15K OHM 1/4W 5%	1	R5	0062-235B3-1XXX
56K OHM 1/4W 5%	2	R8, R9	0062-263B3-1XXX
100K OHM 1/4W 5%	3	R4, R6, R12	0062-275B3-1XXX
470K OHM 1/4W 5%	1	R10	0062-307B3-1XXX
1N4148 DIODE	1	D1	0383-00801-0001
TIP 110 XSTR	2	Q1, Q2	0383-00802-0001
74123	1	1B	0383-00803-0019
4050	1	2B	0383-00803-0020
555	1	2A	0383-00803-0021
74LS74	1	1A	0383-00803-0022
.045 SQ AUTO WIRE	9	J1	0017-00033-0480
FLASHING FLUOR.	1		A080-91659-C383

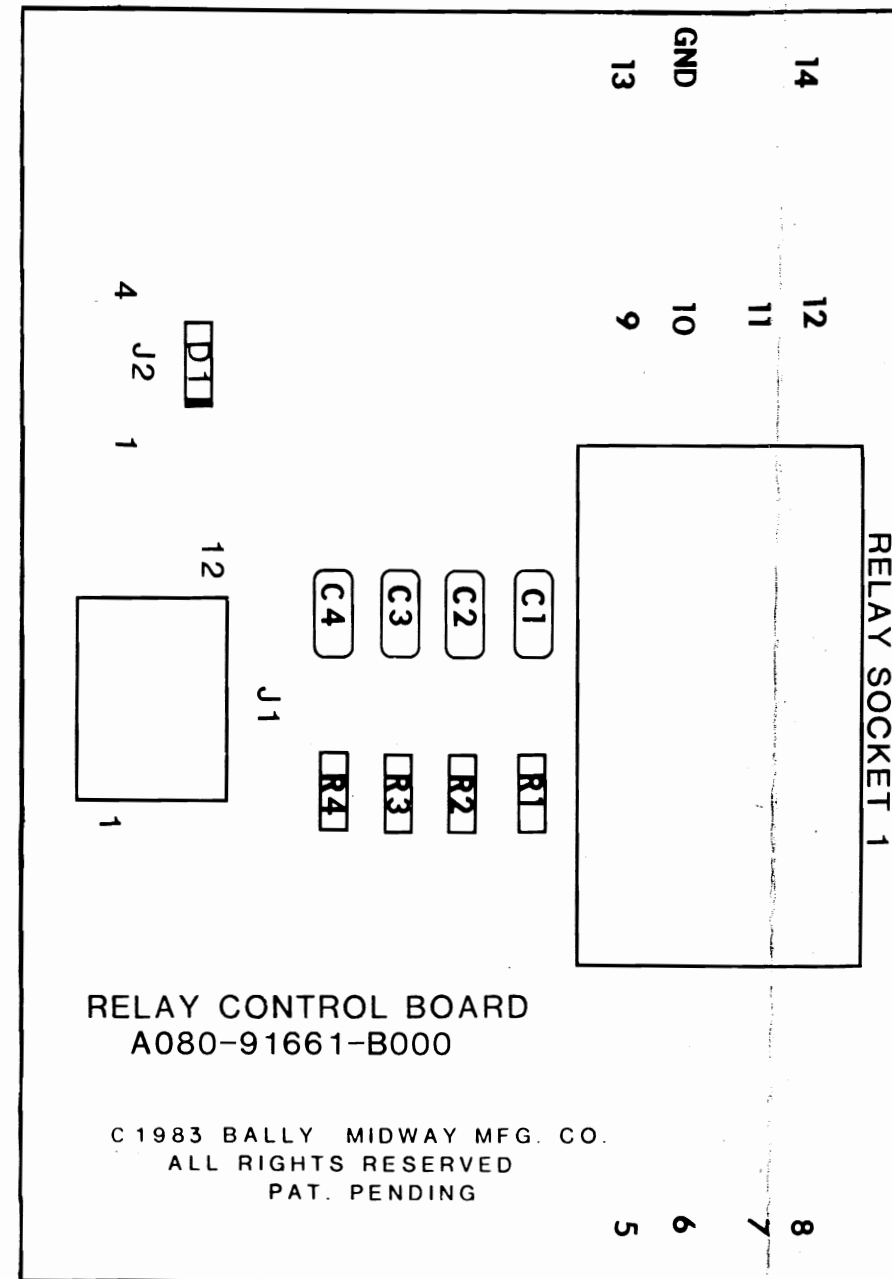
REVISIONS		

PROJECT ENG: M. STEINMETZ		USED ON		 Bally / MIDWAY MFG. CO. FRANKLIN PK ILL
DO NOT SCALE DWG		HEAT TREAT	SCALE FULL	
DIM TOLERANCES UNLESS SPECIFIED		NO. REQ'D 1 PER		PART NO M051-00383-C008
DRN. RLW	MATERIAL		FLASHING FLUORESCENT ASSEMBLY DWG. A080-91659-C383	
CKD. MJD	FINISH			
DATE 8/18/83	HOLDERS			



PROJECT ENG: M. STEINMETZ			USED ON		REVISIONS	
DO NOT SCALE DWG			HEAT TREAT	SCALE FULL	NO. REQ'D 1 PER	
DIM TOLERANCES UNLESS SPECIFIED			MAT'L.	Bally / MIDWAY MFG. CO. FRANKLIN PK ILL		
DRW. <i>TBB</i> CKD. <i>MJD</i> DATE 7/18/83			FINISH			
FLASHING FLUORESCENT SCHEMATIC DWG A084 - 91659 - C383						

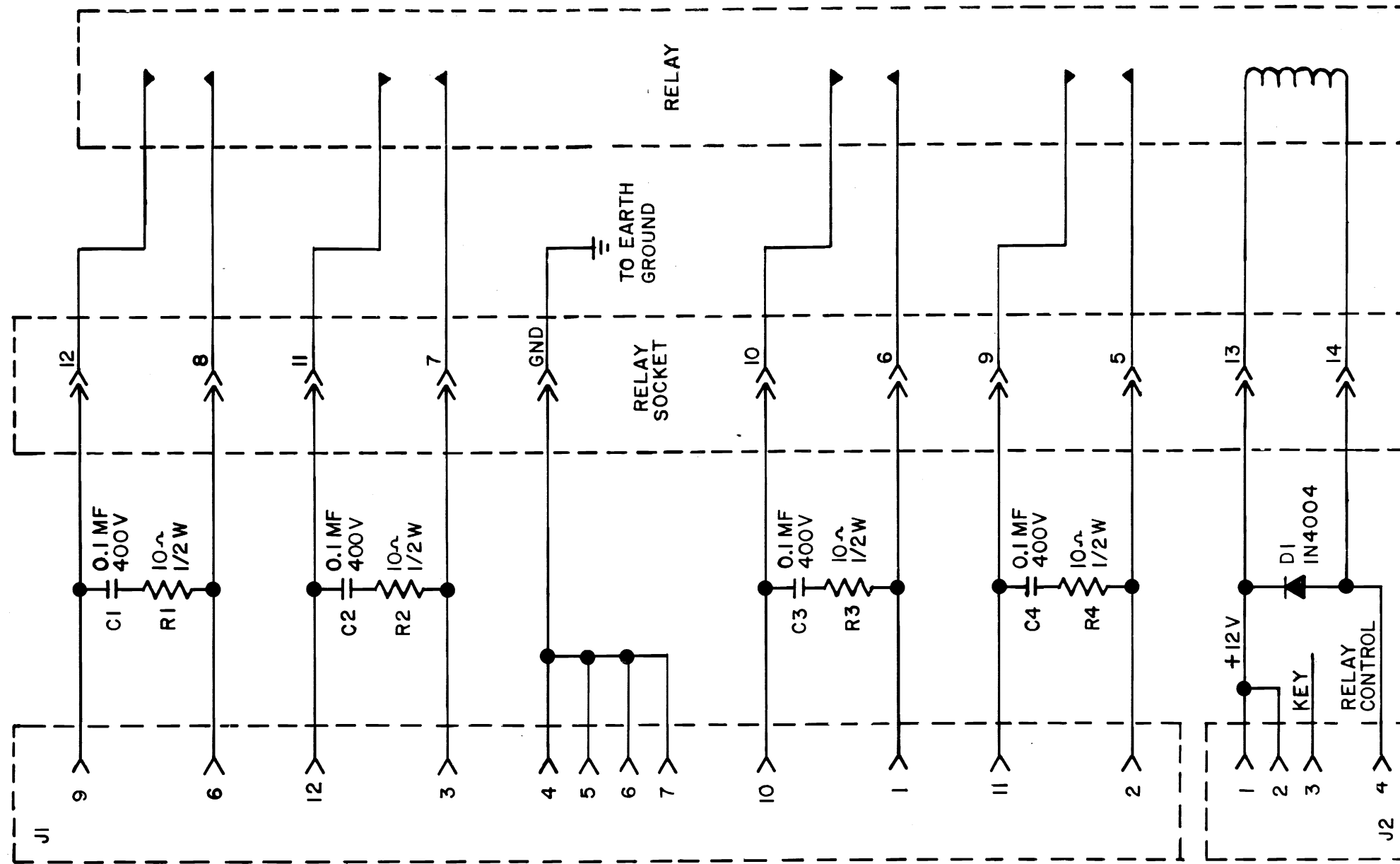
DESIGNATION NO.	DESCRIPTION
C1-C4	0.1 MF 400V RAD
R1-R4	10 OHM 1/2W 5%
D1	1N4004
RE1	RELAY
RES1	RELAY SOCKET
J1	12 PIN M-N-L
J2	.045 SQ AUTO WIRE
1-12	WIRE & SPADE LUG
13,14	WIRE & SPADE LUG
GND	WIRE & SPADE LUG
	RELAY CONTROL P.C.B.



DESCRIPTION	QTY	DESIGNATION NO.	PART NOS.
0.1 MF 400V RAD	4	C1-C4	0383-00800-0007
10 OHM 1/2W 5%	4	R1-R4	0062-051D3-1XXX
1N4004	1	D1	0383-00801-0002
12 PIN M-N-L	1	J1	0017-00021-0964
.045 SQ AUTO WIRE	3	J2	0017-00033-0480
RELAY	1	RE1	0383-00804-0001
RELAY SOCKET	1	RES1	0383-00804-0002
WIRE & SPADE LUG	8	1-12	A089-00034-0044
WIRE & SPADE LUG	2	13,14	A084-00034-0045
WIRE & SPADE LUG	1	GND	A084-00034-0046
RELAY CONTROL P.C.B.	1		A080-91661-B000

REVISIONS	

PROJECT ENG: M. STEINMETZ		USED ON DISC OF TRON		Bally / MIDWAY MFG. CO. FRANKLIN PK. ILL.
DO NOT SCALE DWG		HEAT TREAT	SCALE FULL	
DIM TOLERANCES UNLESS SPECIFIED		NO. REQ'D 1 PER		PART NO. M051-00114 - B088
DRN. <i>RLW</i>	MAT'L.	RELAY CONTROL BOARD ASSEMBLY DWG.		
CKD. <i>MJ.S.</i>	FINISH	A080-91661-B000		
DATE 7/26/83				

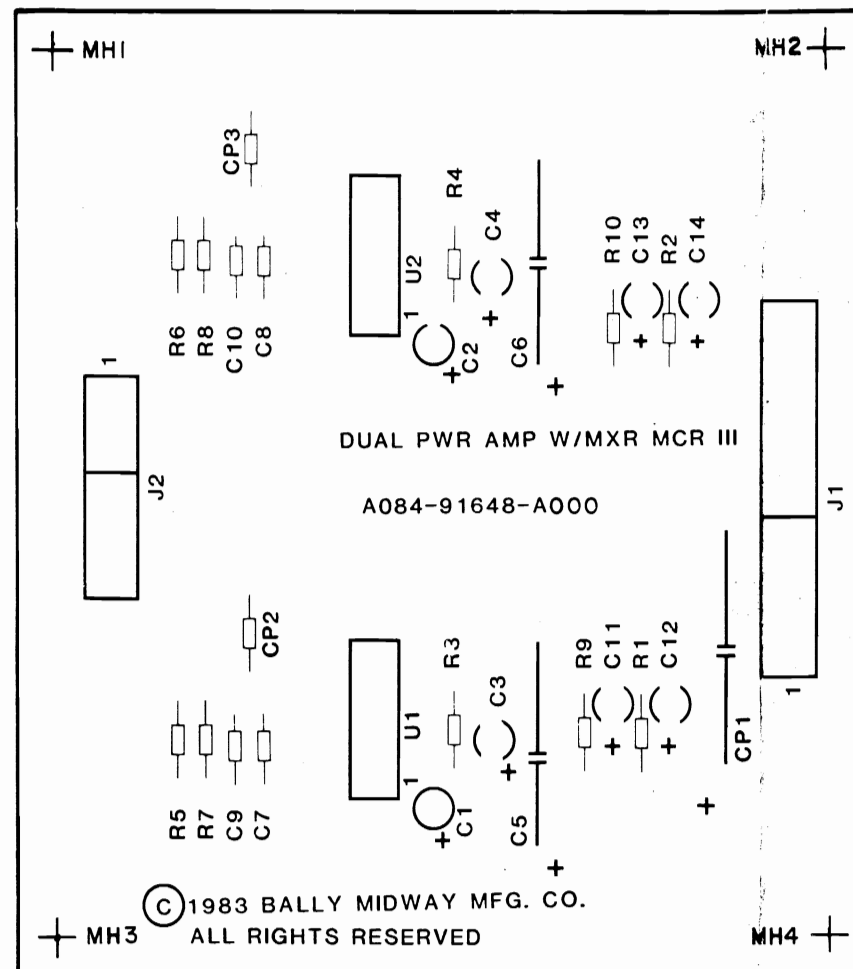


REVISIONS	

PROJECT ENG: M. STEINMETZ		USED ON DISC OF TRON		Bally / MIDWAY MFG. CO. FRANKLIN PK ILL.
DO NOT SCALE DWG		HEAT TREAT	SCALE	
DIM TOLERANCES UNLESS SPECIFIED CONCENTRICITY TO HOLE 0.0005 HOLE DIA +0.002 0.000	DRN. <i>RLW</i>	MAT'L.		SCHEMATIC DWG. RELAY CONTROL BOARD A080-91661-B000
	CKD. <i>M.G.D.</i>	FINISH		
	DATE 07/20/83			
PART NO.			M051 - 00114 - B089	

DESIGNATION LIST

<u>DESIGNATION NO.</u>	<u>DESCRIPTION</u>
C1,C2	4.7 MF 25V RD TANT.
C3,C4	22 MF 6V RD TANT.
C5,C6	470 MF 6V AX ELECT.
C7-C10	.1 MF 50V AX CR.
C11-C14	4.7 MF 25V RD TANT
CP1	220 MF 25V AX ELECT.
CP2,CP3	.1 MF 50V AX CR.
R1,R2	2.7K OHM 1/4W 5% CRBN.
R3,R4	27 OHM 1/4W 5% CRBN.
R5-R8	1 OHM 1/2W 5% CRBN.
R9,R10	2.7K OHM 1/4W 5%
U1,U2	MB3730
J1	.045 SQ. PIN
J2	.045 SQ. PIN
HSU1,U2	HEATSINK ASSY
MH1-MH4	1/4" SPACER FOR #8 SCREW
DUAL PWR AMP W/MXR	A080-91648-A000

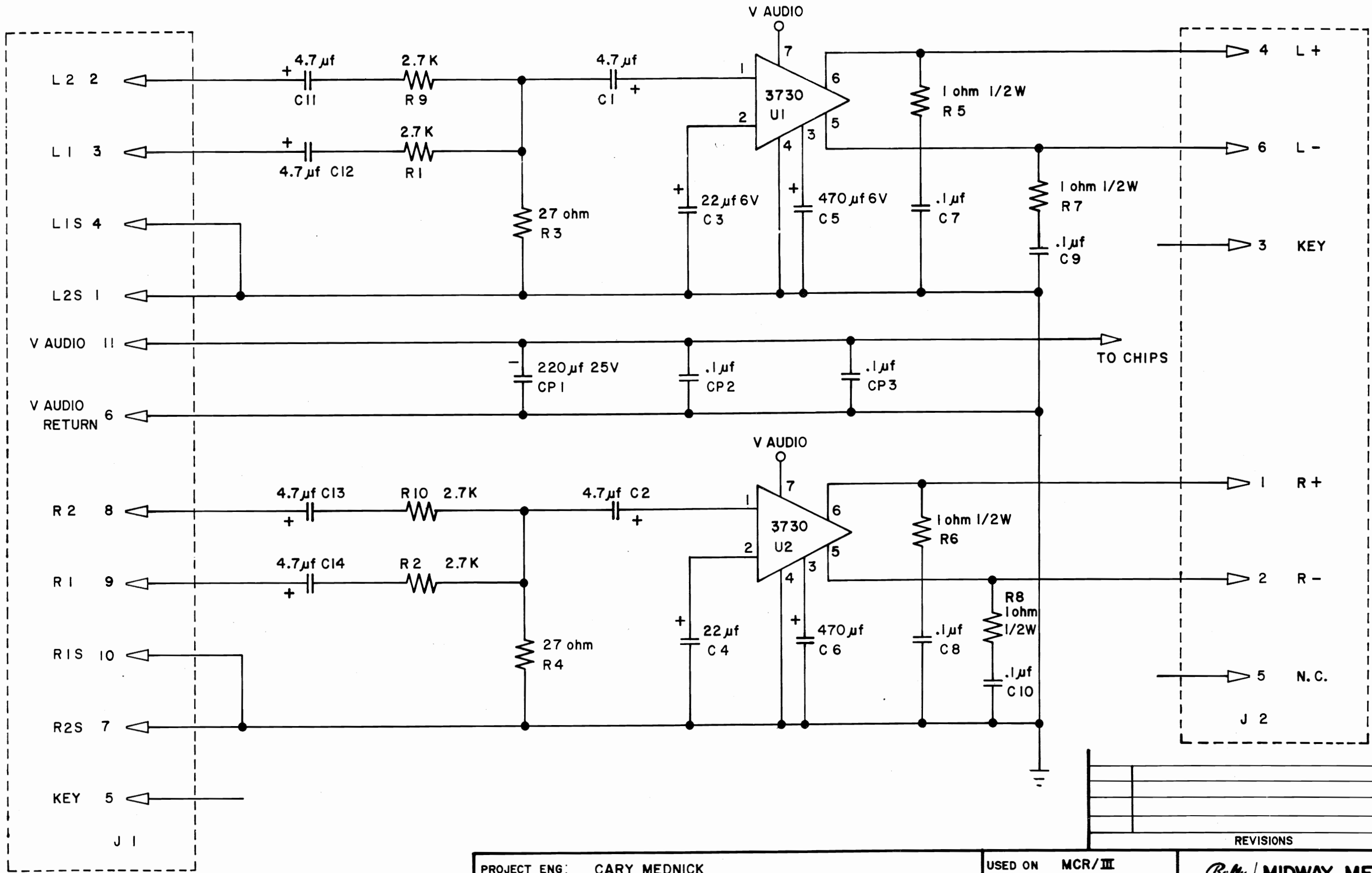


CROSS REFERENCE LIST

<u>DESCRIPTION</u>	<u>QTY</u>	<u>DESIGNATION NO.</u>	<u>PART NOS.</u>
.1 MF 50V AX CR.	6	C7-C10,CP2,CP3	0986-00800-1100
4.7 MF 25V RD TANT.	6	C1,C2,C11-C14	0986-00800-3100
22 MF 6V RD TANT.	2	C3,C4	0986-00800-1600
220 MF 25V AX ELECT.	1	CP1	0986-00800-3200
470 MF 6V AX ELECT.	2	C5,C6	0986-00800-1700
1 OHM 1/2W 5%	4	R5-R8	0062-02603-1XXX
27 OHM 1/4W 5%	2	R3,R4	0062-068B3-1XXX
2.7K 1/4W 5%	4	R1,R2,R9,R10	0062-199B3-1XXX
MB3730	2	U1,U2	0066-188XX-XX4X
.045 SQ. PIN	5	J2	0017-00033-0480
.045 SQ. PIN	10	J1	0017-00033-0480
HEATSINK ASSY	2	HSU1,HSU2	A986-00010-0000
1/4" SPACER FOR #8 SCREW	4	MH1-MH4	0017-00042-0320
DUAL PWR AMP W/MXR	1		A080-91648-A000

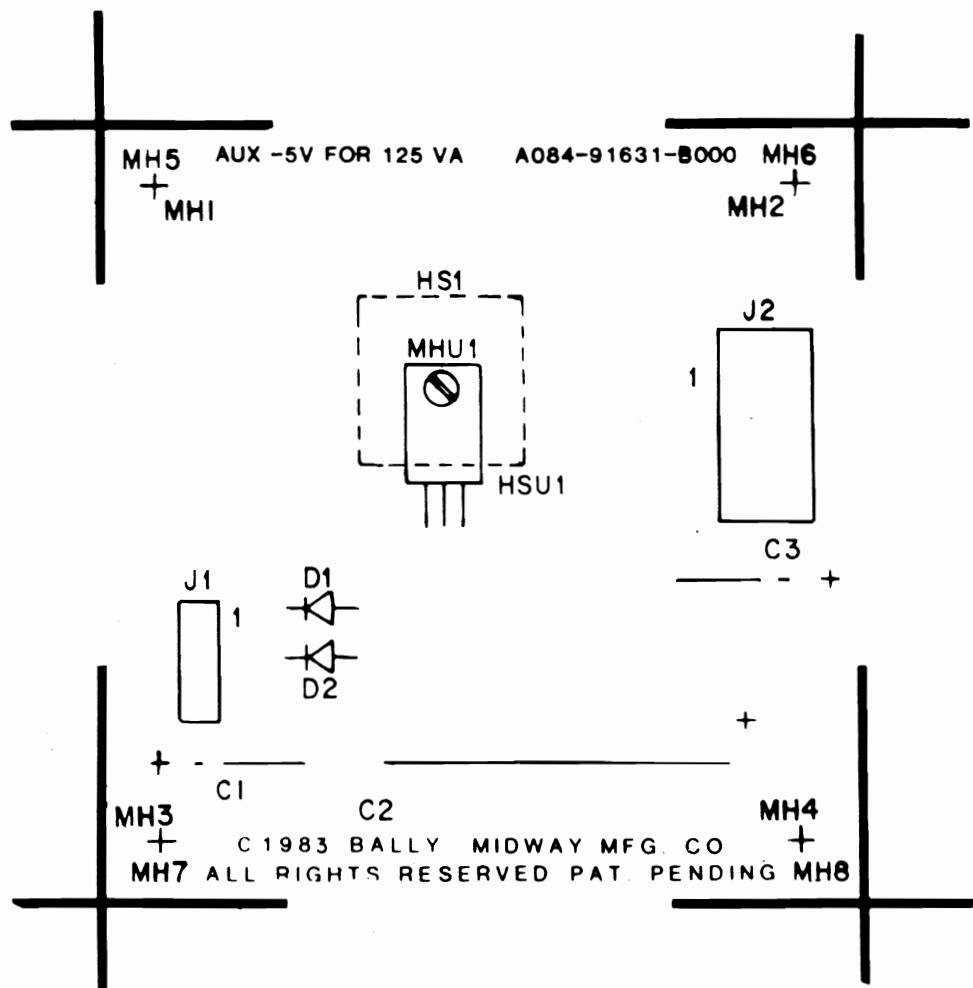
REVISIONS			
PROJECT ENG: C. MEDNICK		USED ON MCR III	
DO NOT SCALE DWG		HEAT TREAT	SCALE FULL
DIM TOLERANCES UNLESS SPECIFIED		NO. REQ'D 1 PER	
DRN. <i>RLW</i>	MAT'L.	ASSEMBLY DWG. DUAL POWER AMP W/ MIXER MCR III A080-91648-A000	
CKD.	FINISH		
DATE 07/05/83		PART NO. M051-00304-A012	

Bally / MIDWAY MFG. CO.
FRANKLIN PK. ILL.



REVISIONS	

PROJECT ENG: CARY MEDNICK			USED ON MCR/III		Bally / MIDWAY MFG. CO. FRANKLIN PK. ILL.
DO NOT SCALE DWG			HEAT TREAT	SCALE	
DIM. TOLERANCES UNLESS SPECIFIED			NO. REQ'D PER		PART NO. M051 - 00304 - A013
CONCENTRICITY T I R .003		DRN. <i>FAK</i>	MAY'L.		
FRACTIONAL 1/64		CKD. <i>DA</i>	FINISH		
DECIMAL .005		DATE 6/30/83	SCHEMATIC DRAWING DUAL PWR AMP W/MXR MCR II A084-91648-A000		
HOLE DIA +.002 000					



CROSS REFERENCE LIST

DESCRIPTION	QTY	DESIGNATION NO.	PART NOS.
0.1 MF CER.	1	C3	0945-00816-1905
2.2 MF TANT.	1	C1	0945-00816-1904
2200 MF ELECT.	1	C2	0945-00816-1903
1N4004 DIODE	2	D1, D2	0636-00801-0300
79M05 VOLTAGE REGULATOR	1	HSU1	0945-00813-0601
HEATSINK, CLIP ON	1	HS1	0068-065XX-ABAX
SCREW	1	MHU1	0017-00101-0518
NUT	1		0017-00103-0003
WASHER	1		0017-00104-0003
KK156 4 PIN CONN. OMIT PIN 3	3	J1	0017-00033-0480
AMPHENOL 3 PIN CONNECTOR	1	J2	0017-00021-0443
SPACER	4	MH1-MH4	0017-00042-0328
AUX.-5V FOR 125VA P.C. BOARD	1		A080-91631-B000

DESIGNATION LIST

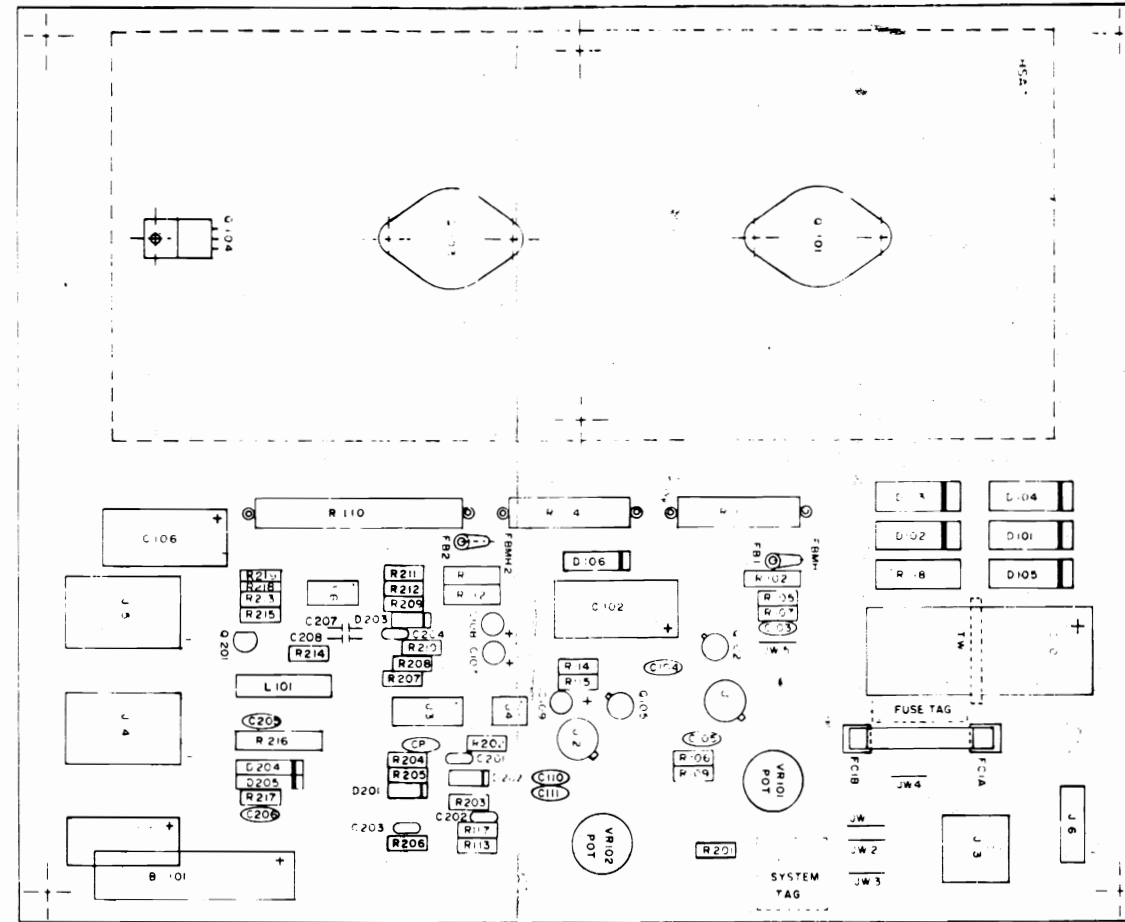
DESIGNATION NO.	DESCRIPTION
C1	2.2 MF TANT.
C2	2200 MF 25V ELECT.
C3	.1 MF CER.
D1, D2	1N4004 DIODE
HSU1	79M05 VOLTAGE REGULATOR
HS1	HEATSINK, CLIP ON
MHU1	(1) SCREW (1) NUT (1) WASHER
J1	KK156 4 PIN CONN.
J2	AMPHENOL 3 PIN CONNECTOR
MH1-4	SPACER
A080-91631-B000	AUX.-5V FOR 125VA P.C. BOARD

REVISIONS		

PROJECT ENG: J. JARON		USED ON PROF. PAC.		Bally / MIDWAY MFG. CO. FRANKLIN PK ILL
DO NOT SCALE DWG.		HEAT TREAT	SCALE FULL	
DIM TOLERANCES UNLESS SPECIFIED		DRW.	MAT'L	ASSEMBLY DWG. AUX. -5V FOR 125VA A084 - 91631 - B000
DATE 05/18/83		CRD.	FINISH	

DESIGNATION LIST

DESIGNATION	DESCRIPTION	DESIGNATION	DESCRIPTION
C101	4700uf AX ELECT	R117	560ohm 1/4W 5%
C102	470uf AX ELECT	R118	150ohm 2W
C103	.1uf AX CER	R201	270ohm 1/4W 5%
C104	.1uf AX CER	R202	1.2K 1/4W 5%
C105	47pf AX CER	R203	1.1M 1/4W 5%
C106	470uf AX ELECT	R204	3.3M 1/4W 5%
C107	100uf RD TANT	R205	10M 1/4W 5%
C108	.1uf RD TANT	R206	100K 1/4W 5%
C109	4.7uf RD TANT	R207	33K 1/4W 5%
C110	.1uf AX CER	R208	2M 1/4W 5%
C111	.1uf AX CER	R209	1M 1/4W 5%
C201	01uf MYLAR	R210	1.2M 1/4W 5%
C202	033uf MYLAR	R211	75K 1/4W 5%
C203	01uf MYLAR	R212	75K 1/4W 5%
C204	.047uf MYLAR	R213	220K 1/4W 5%
C205	820pf AX CER	R214	3.9K 1/4W 5%
C206	01uf AX CER	R215	1.2K 1/4W 5%
C207	0.082uf MYLAR	R216	82ohm 1W 10%
		R217	270ohm 1/4W 5%
		R218	110K 1/4W 5%
		R219	68ohm 1/2W 5%
		VR101,102	100ohm POT
CP1	.1uf AX CER	D101	A15F
		D102	A15F
		D103	A15F
R104	18 ohm 5W W/RES SPACER	D104	A15F
R102	68ohm 1/2W 5%	D105	A15F
R104	10ohm 5W W/RES SPACER	D106	1N4001
R105	27ohm 1/4W 5%	D201	1N4148
R106	270ohm 1/4W 5%	D202	1N4148
R107	6.2K 1/4W 5%	D203	1N4148
		D204	1N4001
		D205	1N4001
R109	1K 1/4W 5%	Q102	2N2905
R110	16ohm 15W W/REG SPACER	Q105	2N2905
R111	6.8ohm 1/2W 5%	Q201	2N4401
R112	68ohm 1/2W 5%	U1	LM305 REG
R113	1.2K 1/4W 5%	U2	LM305 REG
R114	47ohm 1/4W 5%	U3	LM3900
R115	160ohm 1/4W 5%	U4	1N28
		U6	555
		L101	22uH INDUCTOR
		B101	BATTERY 3.6VDC 60DEG C
		F1	3 RA 5 BLO FUSE
		FC1A,1B	FUSE CLIP
		FB1,2	FERRITE BEAD
		TW1	TIE WRAP
		J3	9PIN P.C. MOUNT CONN (MALE)
		J4	15PIN P.C. MOUNT CONN (FEMALE)
		J5	15PIN P.C. MOUNT CONN (MALE)
		J6	9PIN P.C. MOUNT CONN (MALE)
		LB1	FUSE TAG
		LB2	SYSTEM TAG
		HSA1	HEAT SINK ASSY 1
		MHSA1	MOUNTING HARDWARE (HEAT SINK) 2 SCREW 4 WASHER 2 HEXNUT
		JW1-5	JUMPER WIRE
		FBMH1,2	FERRITE BEAD MOUNTING HARDWARE



DESCRIPTION	Qty	DESIGNATION	PART
47pf AX CER	1	C105	0945 00811 0100
820pf AX CER	1	C205	0945 00816 0400
01uf AX CER	2	C206,208	0945 00216 0100
01uf MYLAR	2	C201,203	0945 00216 0300
033uf MYLAR	1	C207	0945 00816 0500
047uf MYLAR	1	C204	0945 00816 0300
0.082uf AX CER	1	C207	C945-00816-1900
.1uf AX CER	5	C103,104,107,111,112	0945 00811 0200
.1uf RAD TANT	1	CP1	0945 00811 0300
4.7uf RAD TANT	1	C108	0945 00811 0400
100uf RAD TANT	1	C109	0945 00811 0500
470uf AX ELECT	2	C107	0945 00811 0500
470uf AX ELECT	1	C102,106	0945 00816-0600
470uf AX ELECT	1	C101	0945 00811 0700
16ohm 15W 5%	1	R110	0945 00815 0100
18ohm 5W 5%	1	R101	0945 00815 0200
6.8ohm 1/2W 5%	1	R111	0062 04703 1XXX
10ohm 5W 5%	1	R104	0945 00812 0100
27ohm 1/4W 5%	1	R105	0062-068B3-1XXX
47ohm 1/4W 5%	1	R114	0062 086B3 1XXX
68ohm 1/2W 5%	3	R102,112,219	0062 098D3 1XXX
82ohm 1W 10%	1	R216	0062-104F5 1XXX
150ohm 2W 5%	1	R118	0945 00812 0200
160ohm 1/4W 5%	1	R115	0062 124B3 1XXX
270ohm 1/4W 5%	3	R106,201,217	0062 138B3 1XXX
560ohm 1/4W 5%	1	R117	0062 162B3 1XXX
1K 1/4W 5%	1	R109	0062 179B3 1XXX
1.2K 1/4W 5%	1	R113,202,215	0062 183B3 1XXX
3.9K 1/4W 5%	1	R214	0062 207B3-1XXX
6.2K 1/4W 5%	1	R107	0062 217B3 1XXX
33K 1/4W 5%	1	R207	0062 251B3 1XXX
75K 1/4W 5%	2	R211,212	0062 269B3 1XXX
100K 1/4W 5%	1	R206	0062 275B3 1XXX
110K 1/4W 5%	1	R218	0062-277B3-1XXX
220K 1/4W 5%	1	R213	0062 291B3 1XXX
1M 1/4W 5%	1	R209	0062 323B3 1XXX
1.1M 1/4W 5%	1	R203	0062 335B3 1XXX
1.2M 1/4W 5%	1	R210	0062 327B3 1XXX
2M 1/4W 5%	1	R208	0062 337B3 1XXX
3.3M 1/4W 5%	1	R204	0062 347B3 1XXX
10M 1/4W 5%	1	R205	0062 371B3 1XXX
100ohm POT	2	VR101,102	0945 00814 0000
LM305 REG	2	U1,2	0945-00813-0100
555	1	U6	0929-00810-4500
LM3900	1	U3	0945-00813-0200
4N28	1	U4	0945-00813-0300
A15F RECTIFIER	5	D101-105	0945 00804-0200
1N4001	3	D106,204,205	0945 00804 0300
1N4148	3	D201-203	0945 00804 0500
2N2905	2	Q102,105	0945 00808-0300
2N4401	1	Q201	0945 00804-0400
BATTERY 3.6VDC 60DEG C	1	B101	0017-00003-0377
FUSE 3/8A 5 BLO	1	F1	0945 00808-0400
FUSE CLIP	2	FC1A,1B	0017-00003 0214
TIE WRAP	1	TW1	0945-00814-0300
FERRITE BEAD	2	FB1,2	0017-00009-0225
FERRITE MOUNTING HDW	2	FBMH1,2	0017-00033 0139
22uH INDUCTOR	1	L101	0945 00814-0200
FUSE TAG	1	LB1	M051-00945-A004
SYSTEM TAG	1	LB2	M051-00945-A005
P.C.B.	1		A080-90412-L000
HEAT SINK ASS'Y	1	HSA1	A945-00008-0000
(SEE HS ASS'Y DRAWING "X" NOTE")			
4-40 X 10 SLT RND	2	MHSA1A,2A	0017-00101-00727
4-40 HEX NUT	2	MHSA1E,2E	0017-00103-0002
WSH 4-120-250-018	4	MHSA1B,1D	0017-00104-0071
3PIN P.C. MOUNT CONN (MALE)	1	J6	0017-00021-0443
9PIN P.C. MOUNT CONN (MALE)	1	J3	0017-00021-0425
15PIN P.C. MOUNT CONN (FEMALE)	1	J4	0017-00021-0441
15PIN P.C. MOUNT CONN (MALE)	1	J5	0017-00021-0440
22 AWG T & R BARE 2.5"	5	JW1-5	0151-00087-0000

PROJ. ENG. L. DEKKER

MIDWAY MFG. CO.
FRANKLIN, PA. U.S.A.

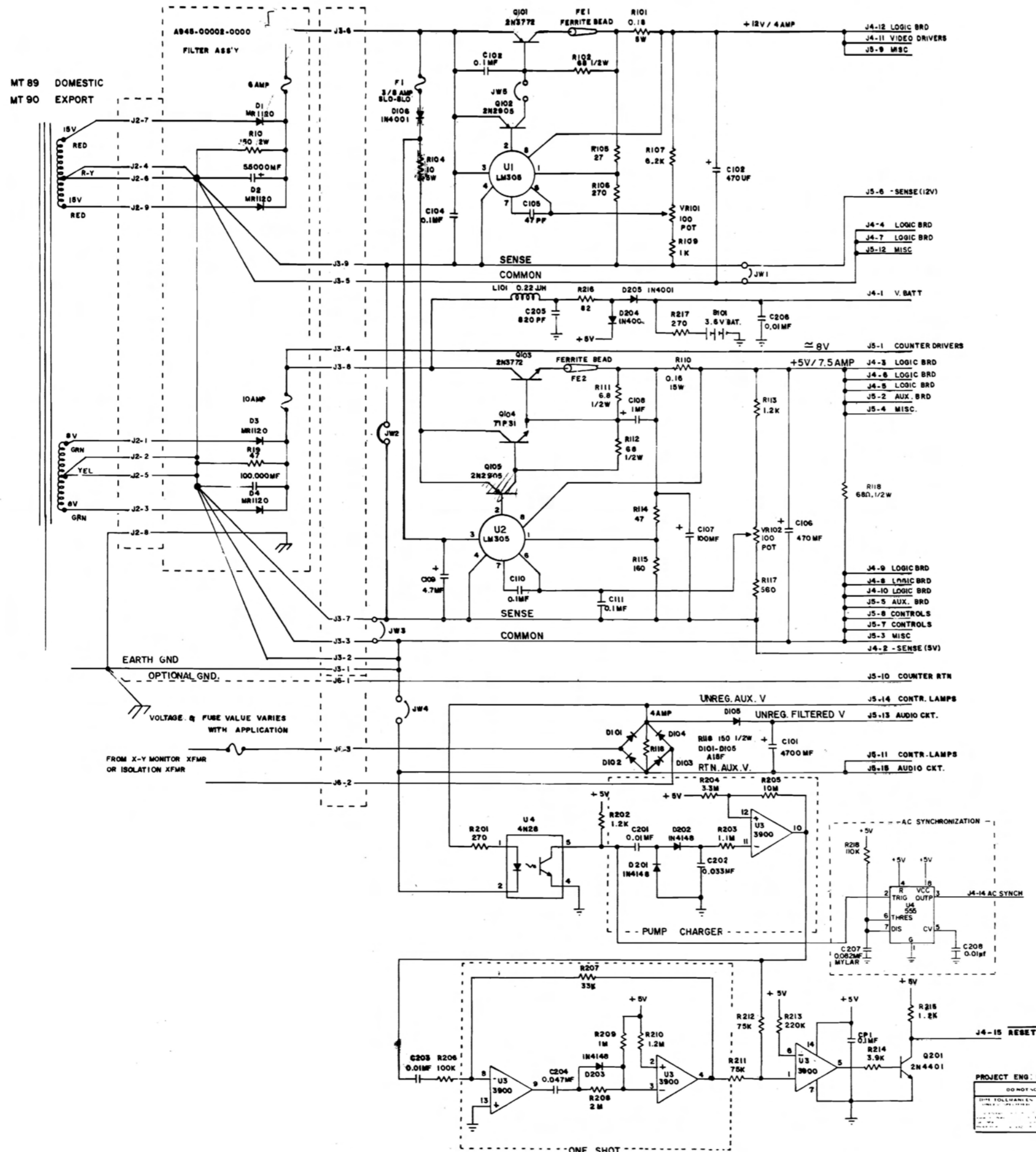
ASSEMBLY DRAWING 125VAPWRSPY

DATE: 5/14/82

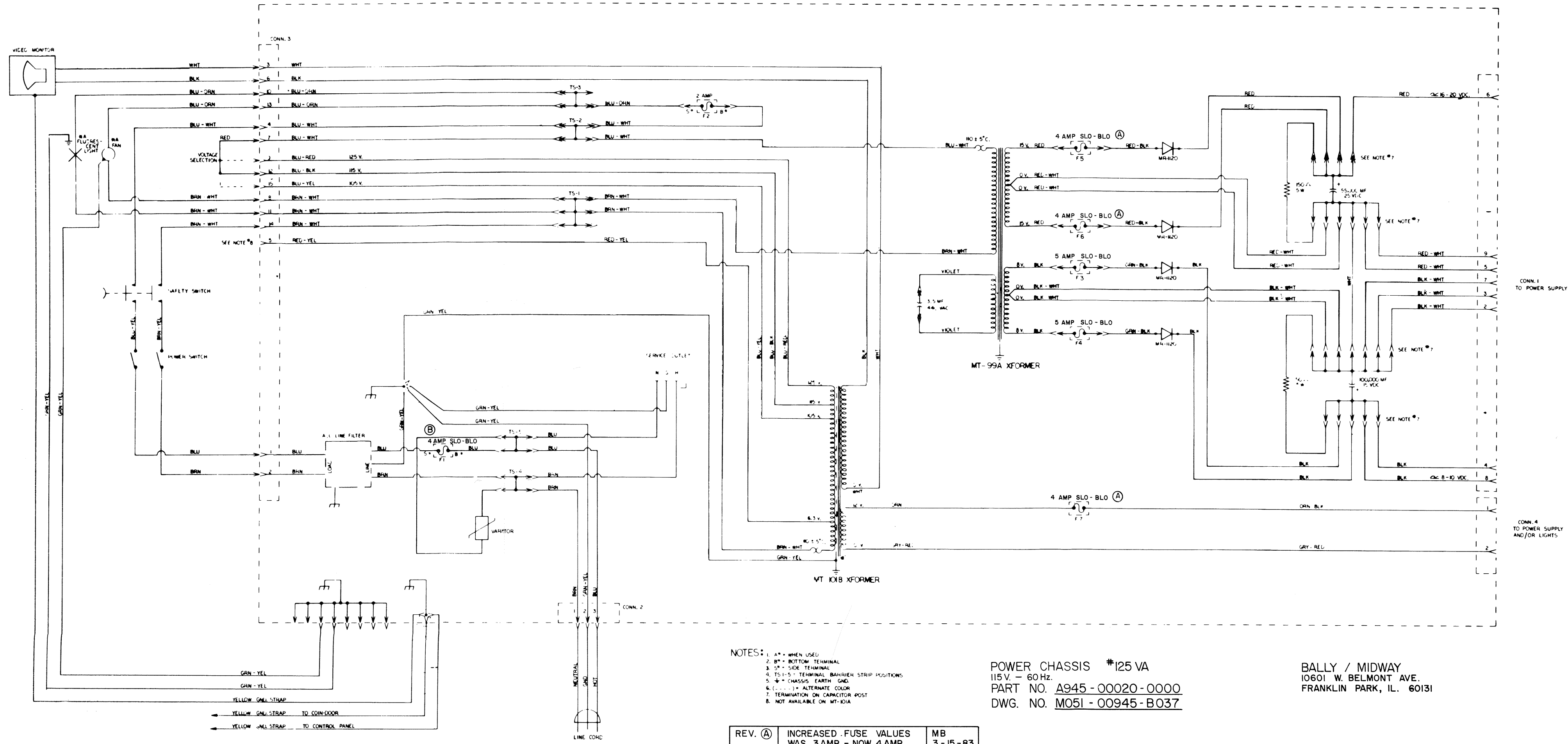
NO. REV. 1 PER.

A082-90412-0000

M051-00945-0006



PROJECT ENG. L. DEKNER		DESIGNED BY SATANWICKLOW		MIDWAY MFG. CO.	
DO NOT SCALE DRG		FULL		FRANKLIN, OH.	
DATE: 5/3/82		POWER SUPPLY 125VA W/CKT SUPPORT A082-90412-0000		PART NO: M051-00945-0007	



- NOTES:
1. A* - WHEN USED
 2. B* - BOTTOM TERMINAL
 3. S* - SIDE TERMINAL
 4. TS1-5* TERMINAL BARRIER STRIP POSITIONS
 5. ⚡ - CHASSIS EARTH GND.
 6. () - ALTERNATE COLOR
 7. TERMINATION ON CAPACITOR POST
 8. NOT AVAILABLE ON MT-101A

POWER CHASSIS #125 VA
 115 V. - 60 Hz.
 PART NO. A945-00020-0000
 DWG. NO. M051-00945-B037

BALLY / MIDWAY
 10601 W. BELMONT AVE.
 FRANKLIN PARK, IL. 60131

REV. (A)	INCREASED FUSE VALUES WAS 3 AMP - NOW 4 AMP ADDED PART NO. (UL)	MB 3-15-83
REV. (B)	INCREASED FUSE VALUE WAS 3AMP - NOW 4AMP	MB 3-24-83

DISC OF TRON

OPTION SWITCH SETTINGS

//////////SWITCH NO. 1 - AT B 3 - LOCATED ON SOUND I/O P.C. BOARD//////////

DURING GAME PLAY:	SW#1	SW#2	SW#3	SW#4	SW#5	SW#6	SW#7	SW#8	SW#9	SW#10
	NOT USED	NOT USED	NOT USED	NOT USED	NOT USED	NOT USED		NOT USED	NOT USED	
UPRIGHT / MINI COCKTAIL TABLE							ON OFF			
FREEZE VIDEO ** NORMAL OPERATION										ON OFF

//////////SWITCH NO. 3 - AT D 14 - LOCATED ON SOUND I/O P.C. BOARD//////////

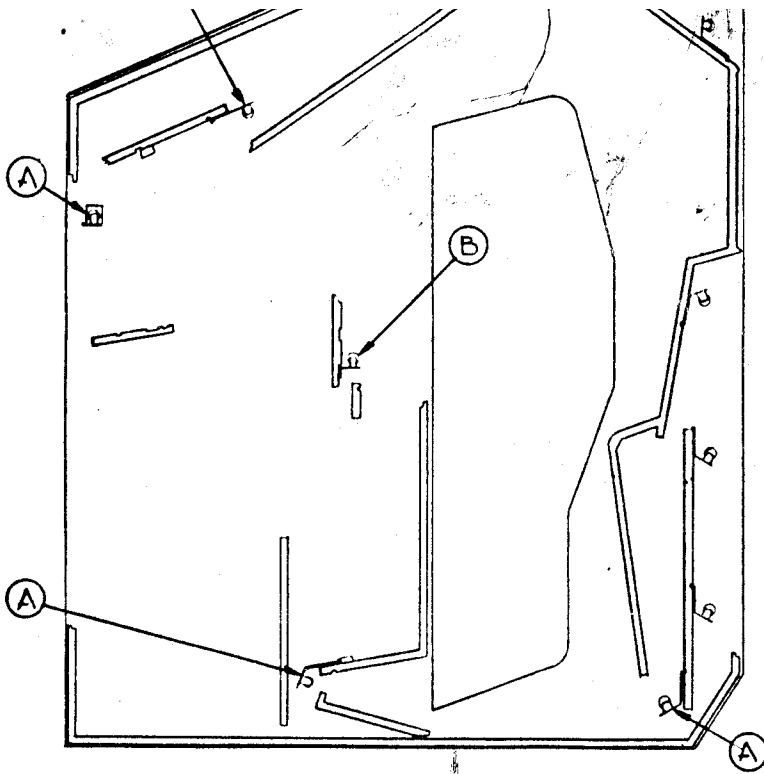
	SW#1	*SW#2	*SW#3	*SW#4
** NORMAL OPERATION SOUND I/O DIAGNOSTIC MODE	OFF ON			
** NORMAL OPERATION RAM/ROM TEST INDICATES TEST RESULTS VIA YELLOW LED ON SOUND I/O BOARD: FAST FLASH = BAD ROM SLOW FLASH = BAD RAM		OFF ON		
** NORMAL OPERATION OSCILLATOR TEST			OFF ON	
** NORMAL OPERATION FILTER TEST				OFF ON

NO EFFECT IF SW#1 OF SWITCH NO. 3 IS IN THE "OFF" POSITION.
* FACTORY RECOMMENDED SETTINGS.

PART NO. M051-00383-A007

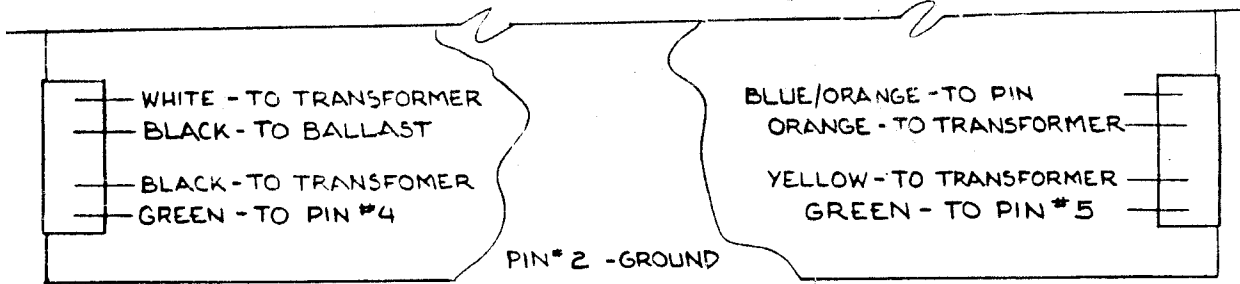
THE REMAINDER OF YOUR NEW GAME'S MOST COMMON OPTION SETTINGS ARE CONDUCTED DURING THE
MACHINE SETUP PORTION OF THE SELF-TEST MODE AND WILL BE COVERED IN DETAIL
IN THAT SECTION OF YOUR MANUAL.

FLUOR. LITE WIRING DIAGRAM



See the DIAGRAMS below for the appropriate WIRING SEQUENCE for each FLUOR. LITE as indicated.

FIG. 1



WIRE DIAGRAM "A"

