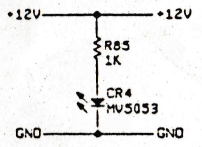
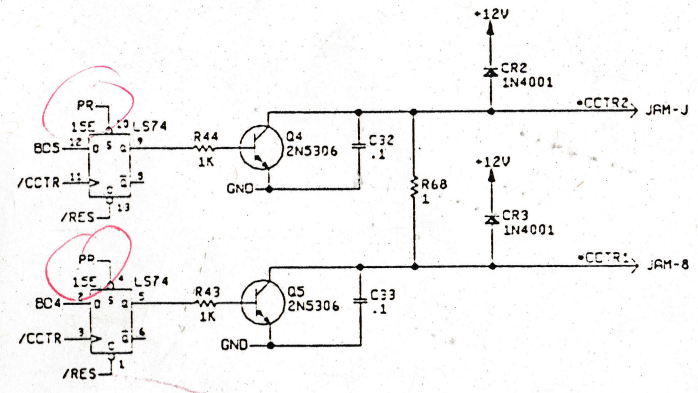
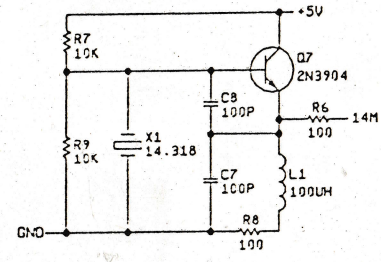
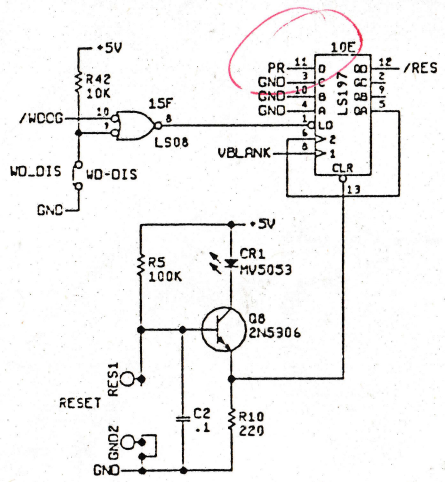
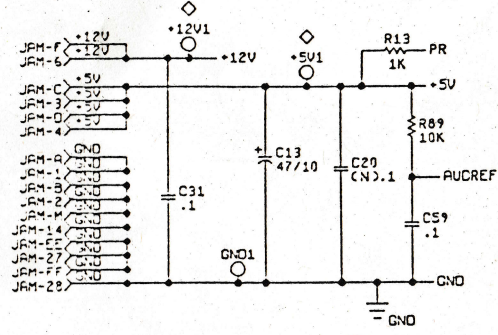
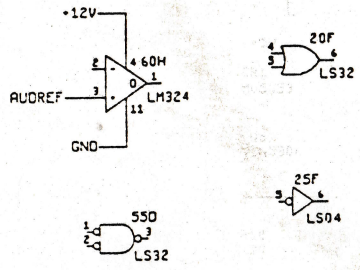


REV	DESCRIPTION
B	PRODUCTION RELEASE
C	EDN 13227

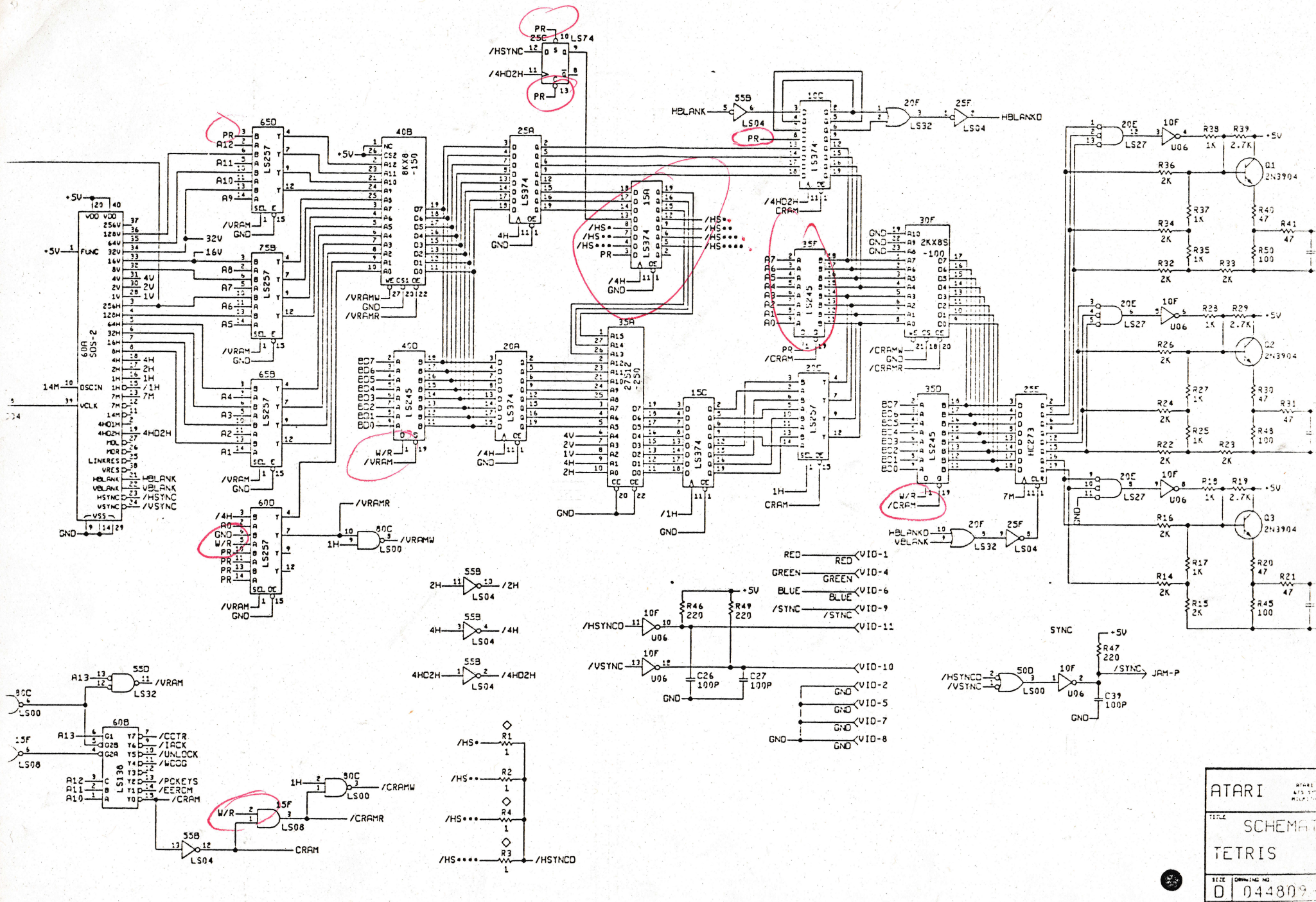


SPARE GATES

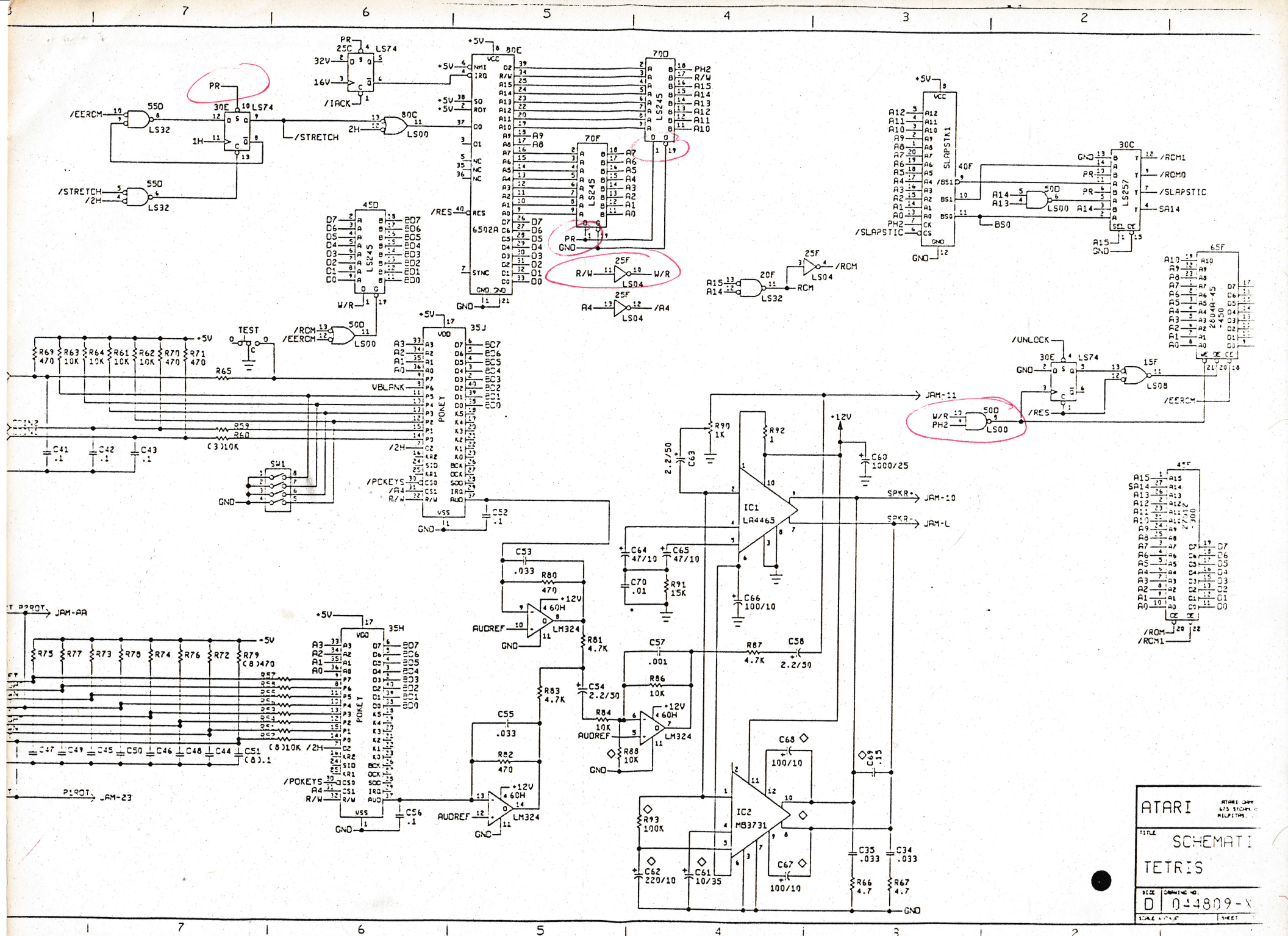
NOTES:  
 1. ◇ DENOTES COMPONENTS NOT STUFFED.



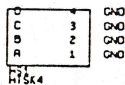
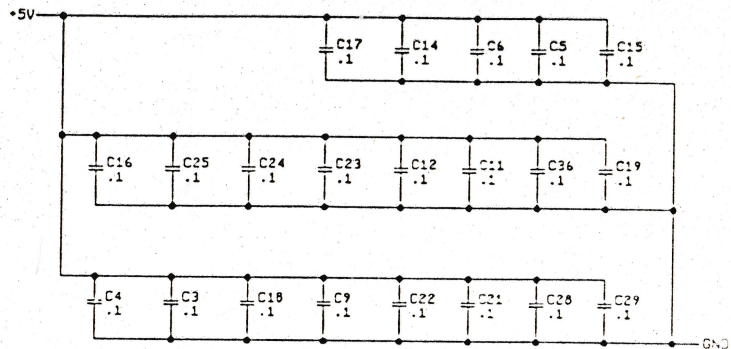
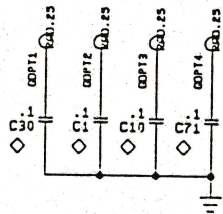
DO NOT SCALE DRAWING	DATE 9-8-88	ATARI
UNLESS OTHERWISE SPECIFIED DIMENSIONS ARE IN INCHES TOLERANCES ON:	DATE 12-21-88	
SEE P/L	DATE 12-21-88	TETRIS
FINISH:	DATE	SIZE
		SCALE



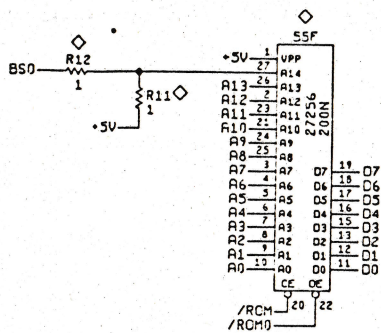
ATARI  
 TITLE SCHEMATIC  
 TETRIS  
 SIZE 044809  
 SCALE 1:1



ATARI  
 TITLE SCHEMATIC  
 TETRIS  
 D 014809-X



- JAM-5            → JAM-E
- JAM-7            → JAM-H
- JAM-9            → JAM-K
- JAM-18           → JAM-V
- JAM-24   JAM-R →
- JAM-25   JAM-S →
- JAM-26           → JAM-BB
- JAM-CC
- JAM-DD



ATARI

ATARI CORP. COMP.  
675 STEWART DR.  
BERKELEY, CA. 94701

TITLE  
SCHEMATIC  
TETRIS

SIZE DRAWING NO.  
D 044809-XX

SCALE 1:1 SHEET 1 OF 7

TETRIE  
 MEMORY MAP  
 VERSION 1.00  
 ATARI GAMES  
 DOUG SNYDER  
 AUGUST 4, 1988

ADDRESS	SIZE	1111110000000000	5432109876543210	R/W	76543210	FUNCTION
0000-0FFF	4K	000000AAAAA	AAAAA	R/W	DDDDDDDD	PROGRAM RAM
1000-1FFF	4K	0001AAAAA	AAAAA	R/W	DDDDDDDD	PLAYFIELD RAM
			AAAAA			ROW ADDRESS
			AAAAA			COLUMN ADDRESS
					DDDDDDDD	STAMP (LSB)
					DDDD	STAMP (MSB)
2000-20FF	256	001000--AAAAA	AAAAA	R/W	DDDDDDDD	COLOR PALETTE
			AAAAA			COLOR RAM
			AAAAA			PALETTE ADDRESS
					DDDD	PIXEL COLOR ADDRESS
					DDD	RED
					DDD	GREEN
					DD	BLUE
2400-25FF	512	001001-AAAAA	AAAAA	R/W	DDDDDDDD	EEROM
2800-290F	16	001010--00AAAA	AAAA	R/W	DDDDDDDD	POKEY0 (HI-PASS FILTER)
2808		001010--001000	001000	R	DDDDDDDD	SYSTEM INPUTS
					D	SELFTEST (ACTIVE LO)
					D	VBLANK (ACTIVE HI)
					DDDD	UNUSED
					D	COIN2 (ACTIVE LO)
					D	COIN1 (ACTIVE LO)
2810-281F	16	001010--01AAAA	01AAAA	R/W	DDDDDDDD	POKEY1 (LO-PASS FILTER)
2818		001010--011000	011000	R	DDDDDDDD	PLAYER INPUTS
					D	PLAYER2 LEFT (ACTIVE LO)
					D	PLAYER2 RIGHT (ACTIVE HI)
					D	PLAYER2 DOWN (ACTIVE LO)
					D	PLAYER2 ROTATE (ACTIVE LO)
					D	PLAYER1 LEFT (ACTIVE LO)
					D	PLAYER1 RIGHT (ACTIVE LO)
					D	PLAYER1 DOWN (ACTIVE LO)
					D	PLAYER1 ROTATE (ACTIVE LO)
2000-2FFF	1K	001011-----	-----			UNUSED
3000		001100-----	-----	W		WATCH DOG
3400		001101-----	-----	W		EEROM UNLOCK
3800		001110-----	-----	W		IRQ ACKNOWLEDGE
3C00		001111-----	-----	W		SYSTEM STATUS
					D	COIN COUNTER 2
					D	COIN COUNTER 1
					D	UNUSED
4000-7FFF	16K	01AAAAA	AAAAA	R	DDDDDDDD	PAGED ROM BANK
8000-FFFF	32K	1AAAAA	AAAAA	R	DDDDDDDD	FIXED PROGRAM ROM