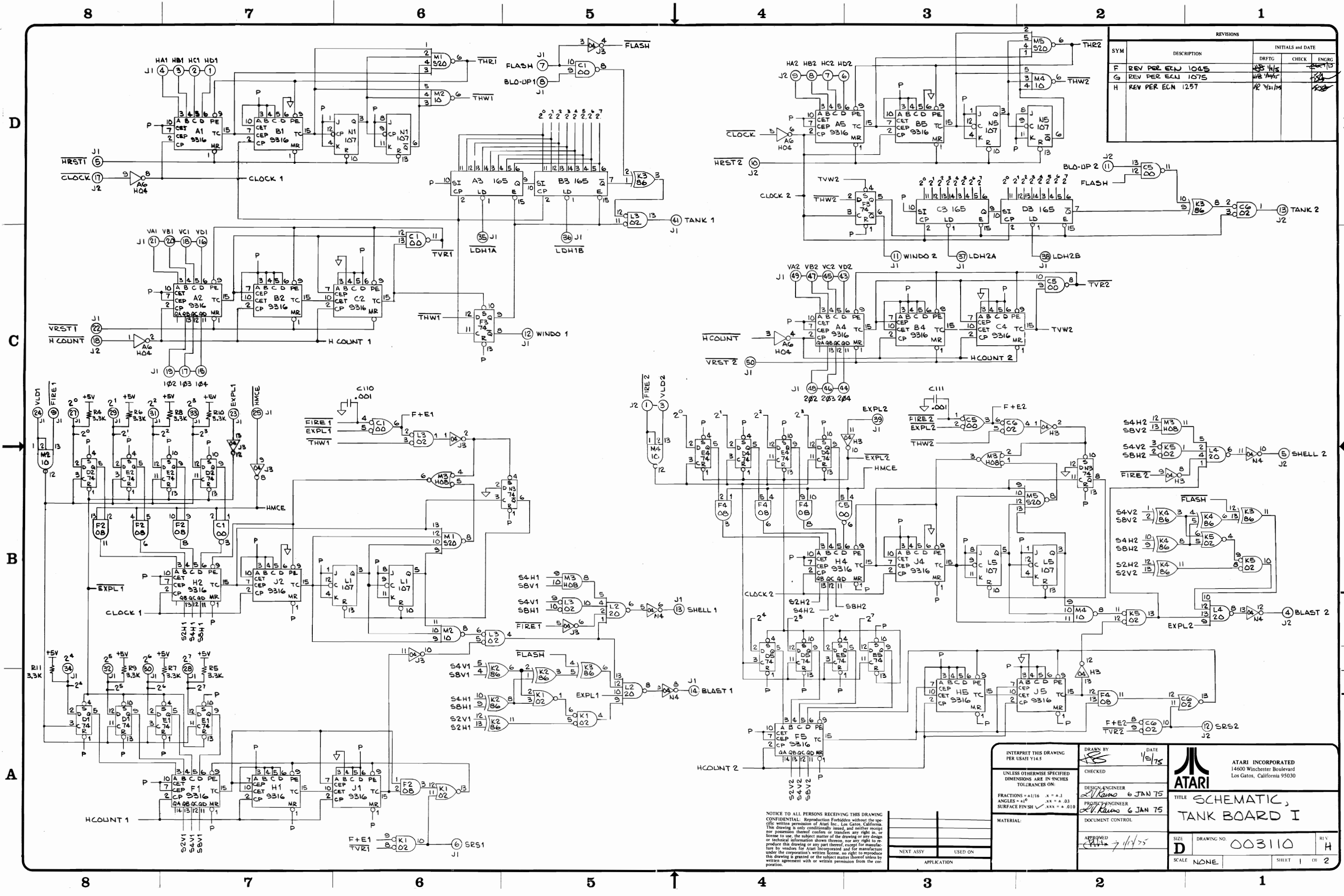


REVISIONS			
SYM	DESCRIPTION	DRFTG	INITIALS and DATE
F	REV PER ECN 1045		
G	REV PER ECN 1075		
H	REV PER ECN 1257		

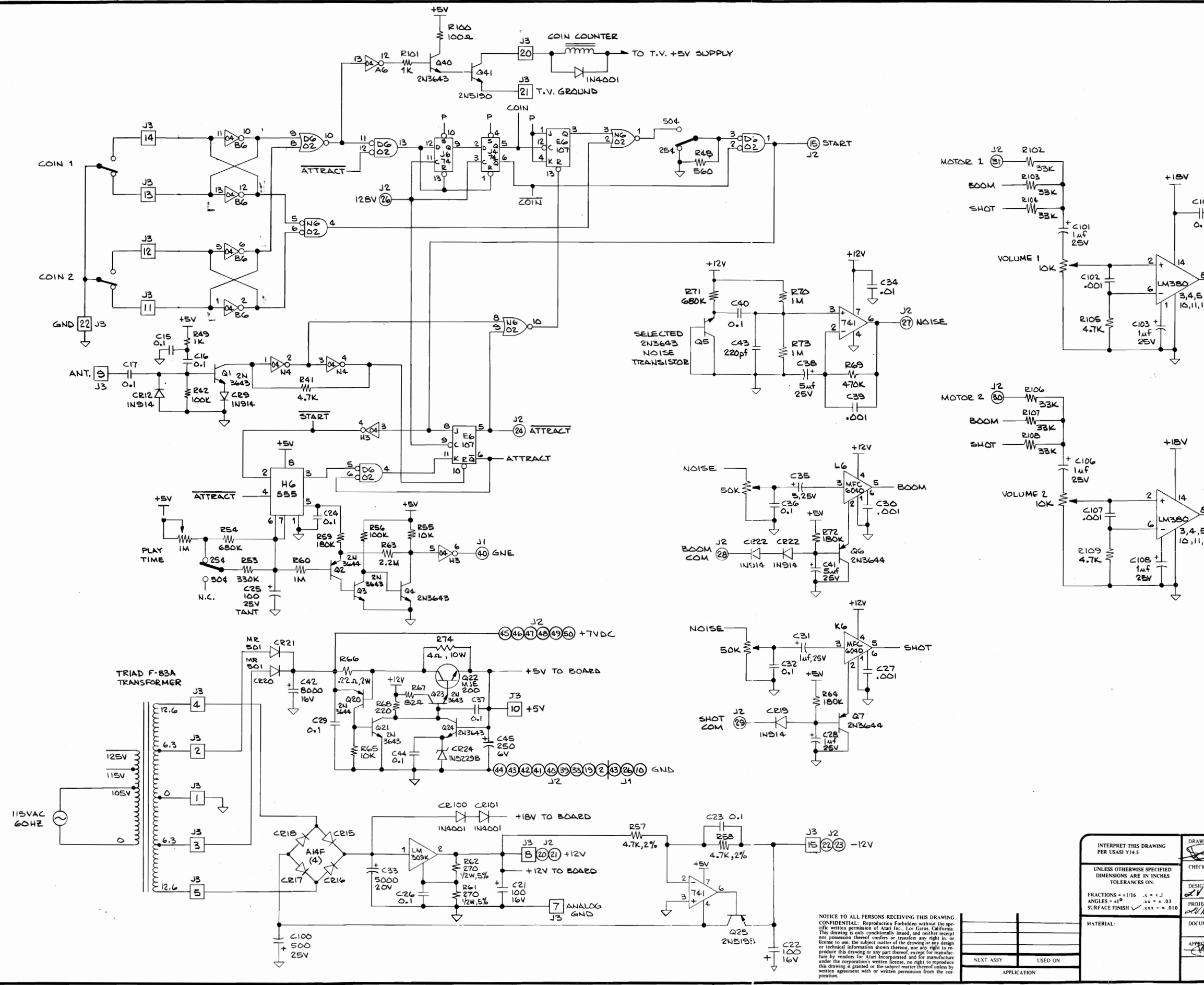


NOTICE TO ALL PERSONS RECEIVING THIS DRAWING  
 CONFIDENTIAL: Reproduction Forbidden without the specific written permission of Atari Inc., Los Gatos, California. This drawing is only conditionally issued, and neither receipt nor possession thereof confers or transfers, nor any right to reproduce this drawing or any part thereof, except for manufacture by vendors for Atari Incorporated and for manufacture under the corporation's written license. No right to reproduce this drawing is granted or the subject matter thereof unless by written agreement with or written permission from the corporation.

INTERPRET THIS DRAWING PER USAI Y14.5	DRAWN BY V. 1/75	DATE 1/75
UNLESS OTHERWISE SPECIFIED DIMENSIONS ARE IN INCHES TOLERANCES ON: FRACTIONS +.010 .XX = .1 ANGLES ±.5 SURFACE FINISH .XXX = .010	CHECKED	DESIGN ENGINEER 6 JAN 75
MATERIAL:	PROJECT ENGINEER 6 JAN 75	DOCUMENT CONTROL
NEXT ASSY	USED ON	APPROVED 7/1/75

 ATARI INCORPORATED 14600 Winchester Boulevard Los Gatos, California 95030		TITLE SCHEMATIC, TANK BOARD I	
		SIZE D	DRAWING NO. 003110
SCALE NONE		SHEET 1 OF 2	

REVISIONS				
SYM	DESCRIPTION	INITIALS and DATE		
		DRFTG	CHECK	ENGRG



NOTICE TO ALL PERSONS RECEIVING THIS DRAWING  
 CONFIDENTIAL: Reproduction Forbidden without the specific written permission of Atari Inc., Los Gatos, California. This drawing is only conditionally issued, and neither receipt nor possession thereof confers or transfers any right in, or license to use, the subject matter of the drawing or any design or technical information shown thereon, nor any right to reproduce this drawing or any part thereof, except for manufacture by vendors for Atari Incorporated and for manufacture under the corporation's written license, no right to reproduce this drawing is granted or the subject matter thereof unless by written agreement with or written permission from the corporation.

APPLICATION	USED ON

INTERPRET THIS DRAWING PER USASI Y14.5	DRAWN BY <i>[Signature]</i> DATE 1/9/75	 ATARI INCORPORATED 14600 Winchester Boulevard Los Gatos, California 95030
UNLESS OTHERWISE SPECIFIED DIMENSIONS ARE IN INCHES TOLERANCES ON: FRACTIONS +1/16 .xx +.01 ANGLES ±1° SURFACE FINISH ✓ .xxx +.010	CHECKED DESIGN ENGINEER <i>[Signature]</i> 10 JAN 75 PROJECT ENGINEER <i>[Signature]</i> 10 JAN 75 DOCUMENT CONTROL	
MATERIAL:	APPROVED <i>[Signature]</i> 1/13/75	SIZE D DRAWING NO 003110 R1V H
		SCALE SHEET 2 OF 2