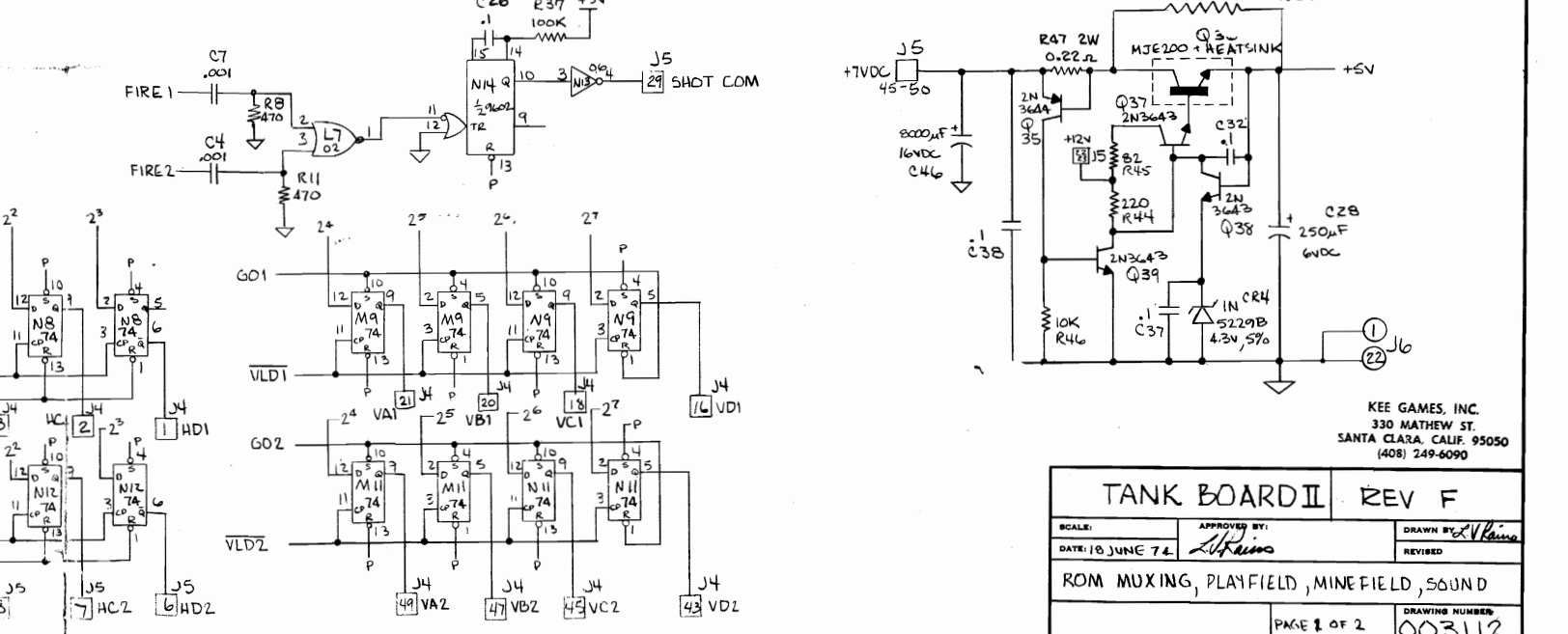
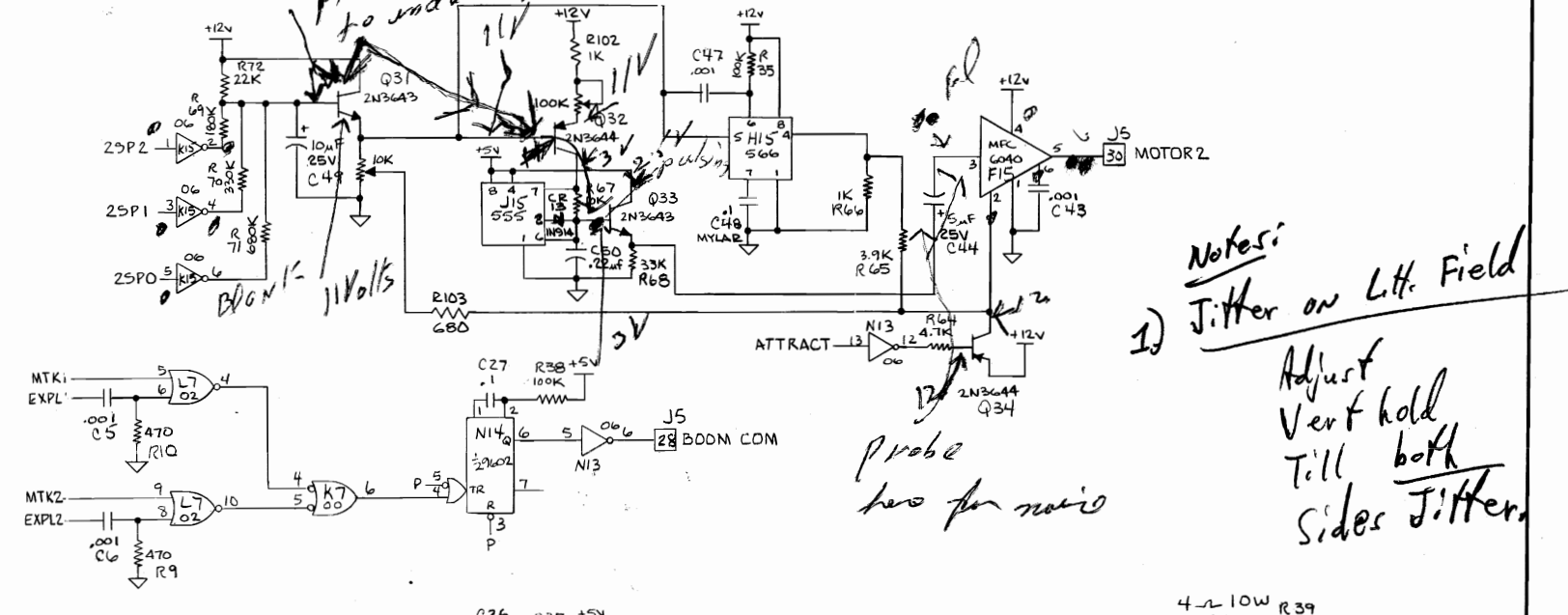
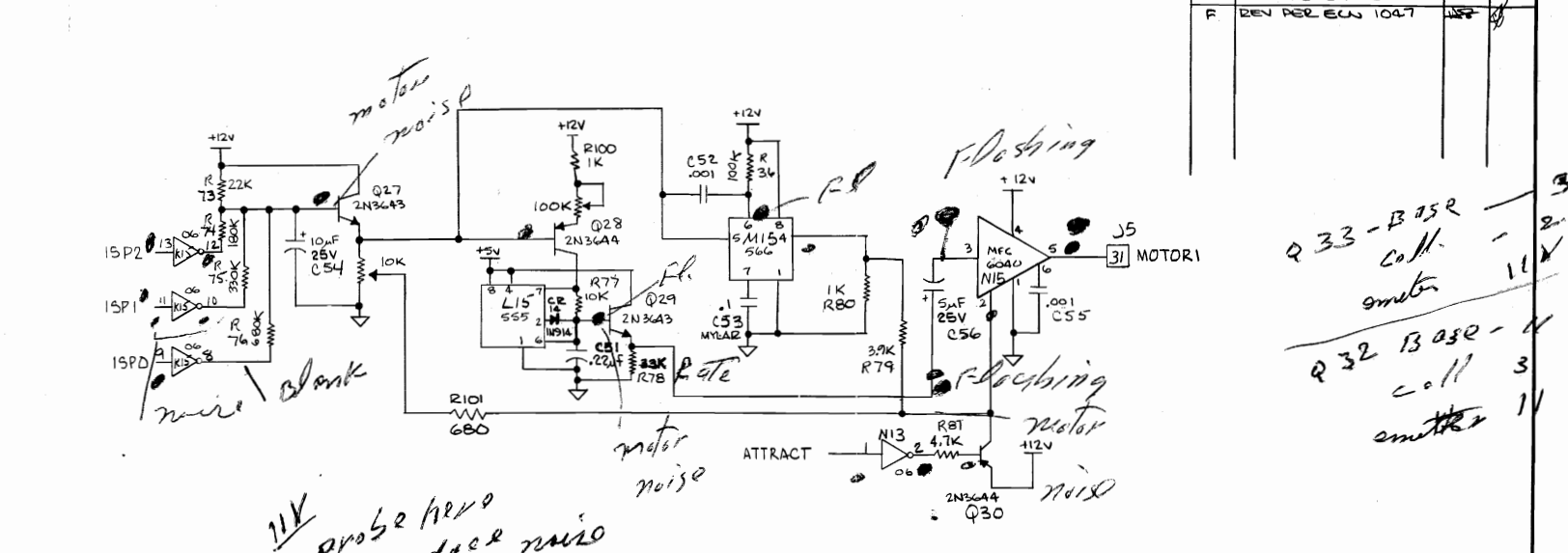
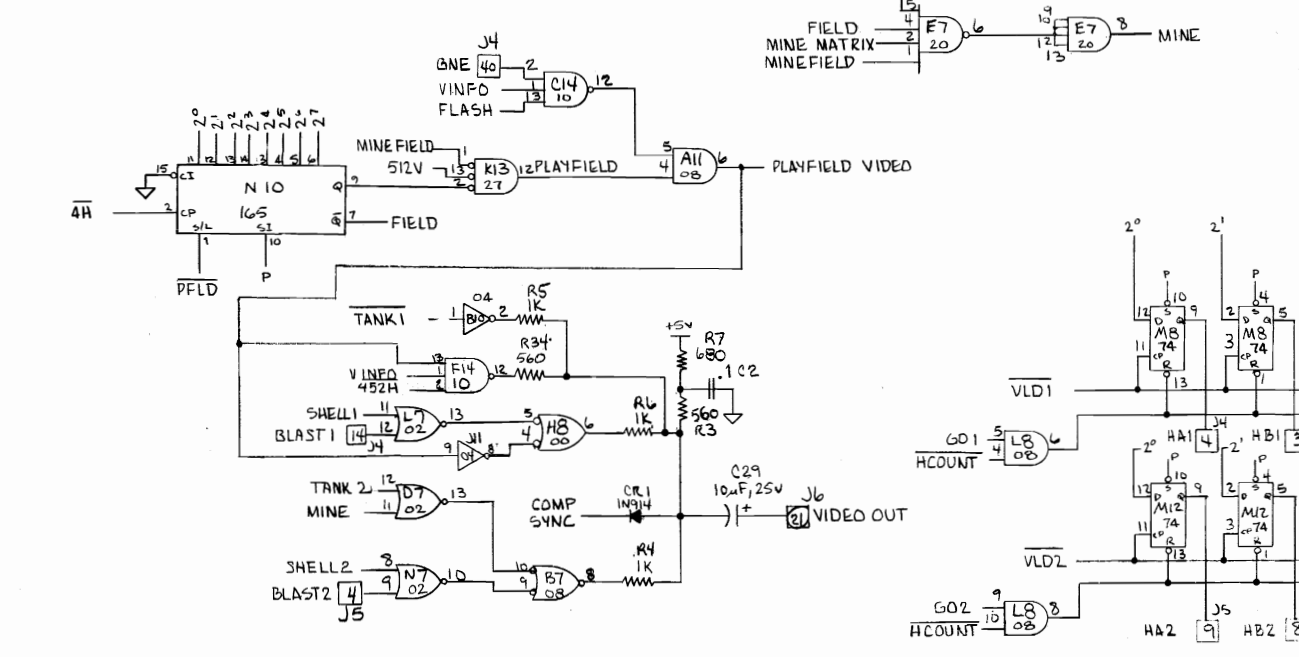
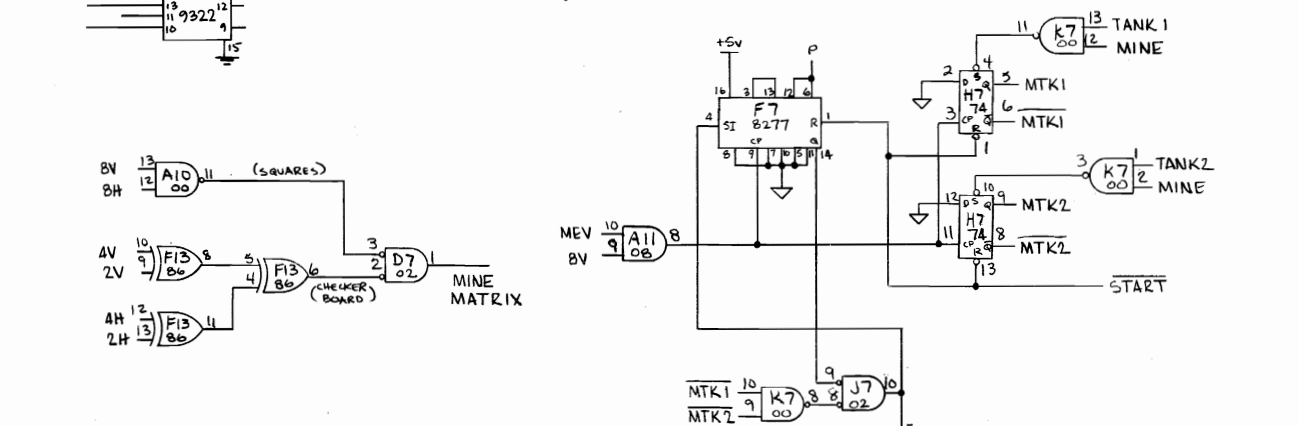
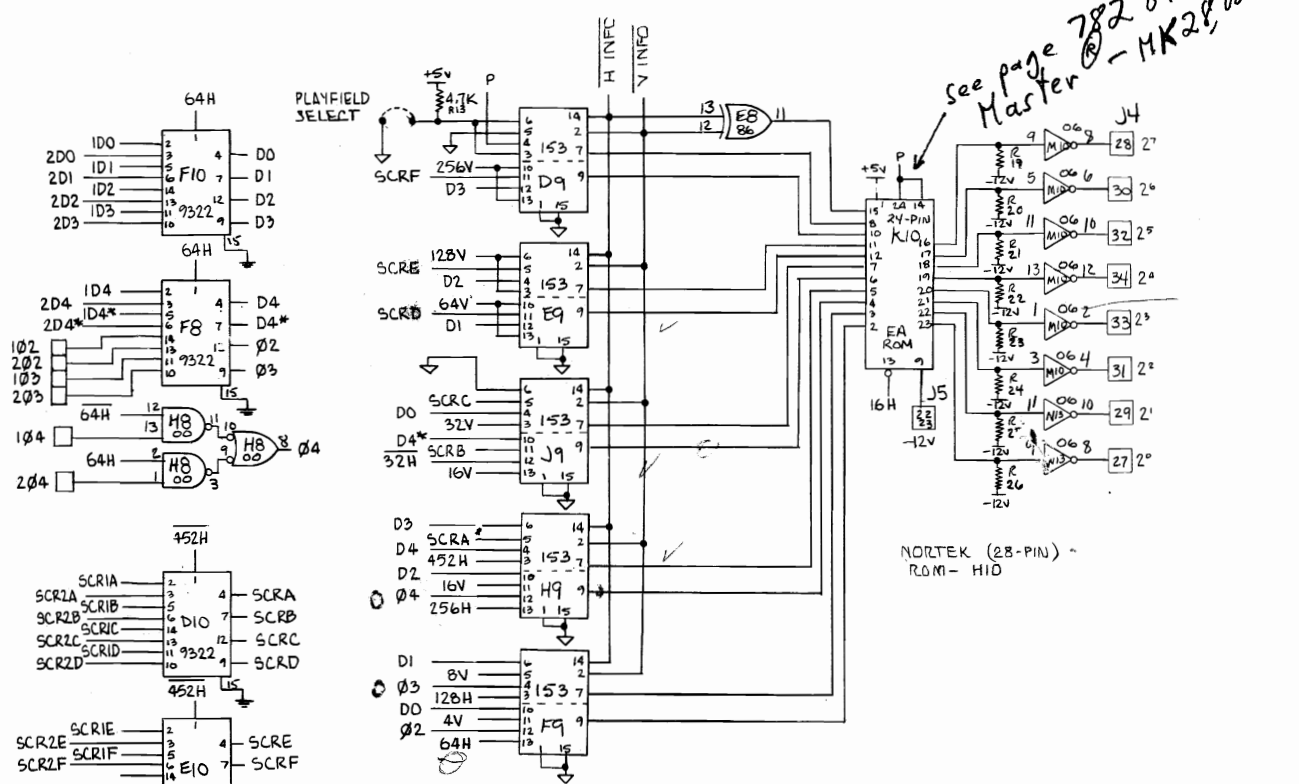


Florian

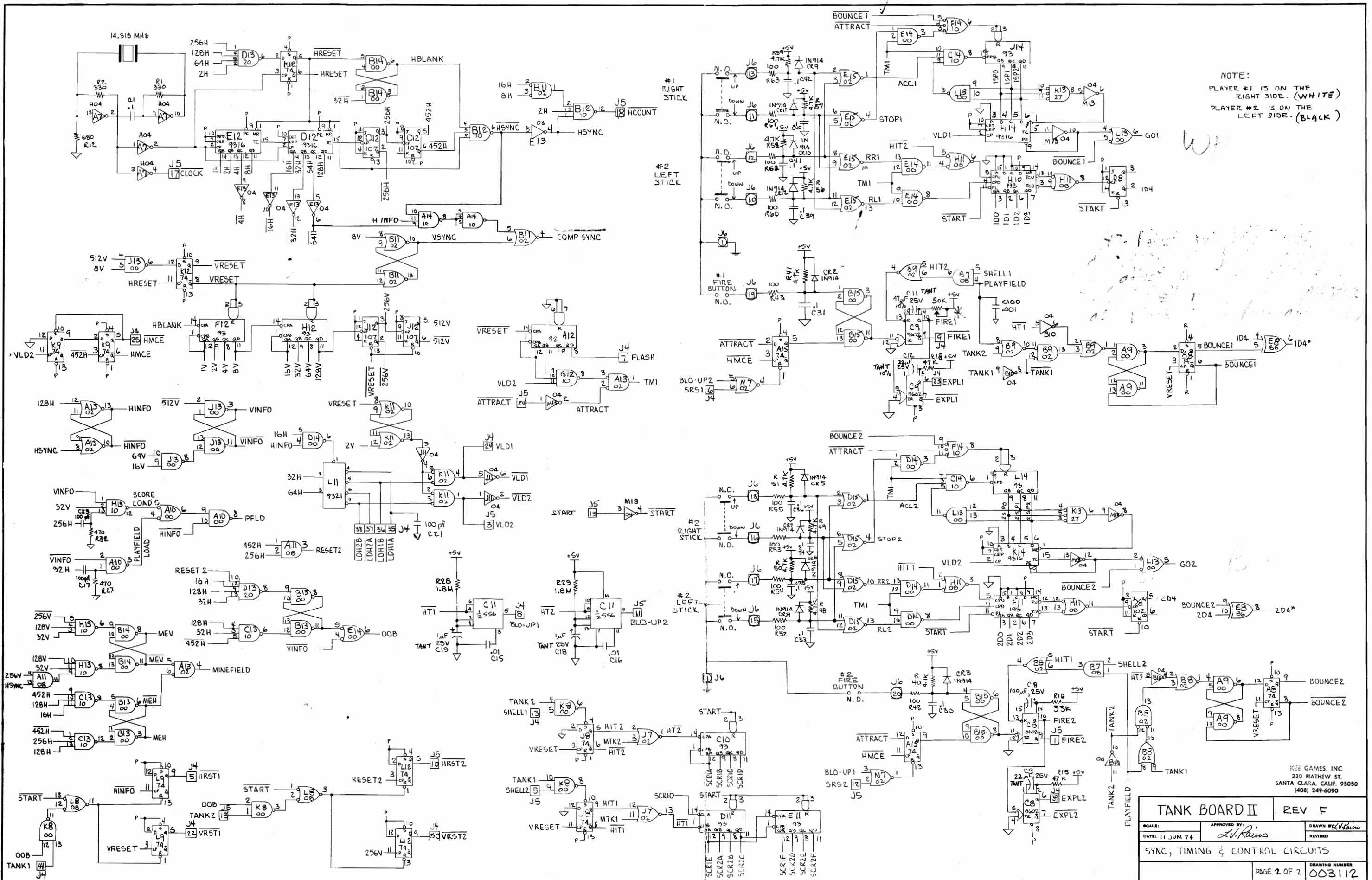
SYN	DESCRIPTION	DATE	APPN
F	REV PER ECU 1047	10/74	



Q33 - B5R
coll. - 2.5
motor 11
Q32 B5R - 1
coll. 3
motor 11

Notes:
1) Jitter on Ltt. Field
Adjust Vert hold
till both
sides Jitter.

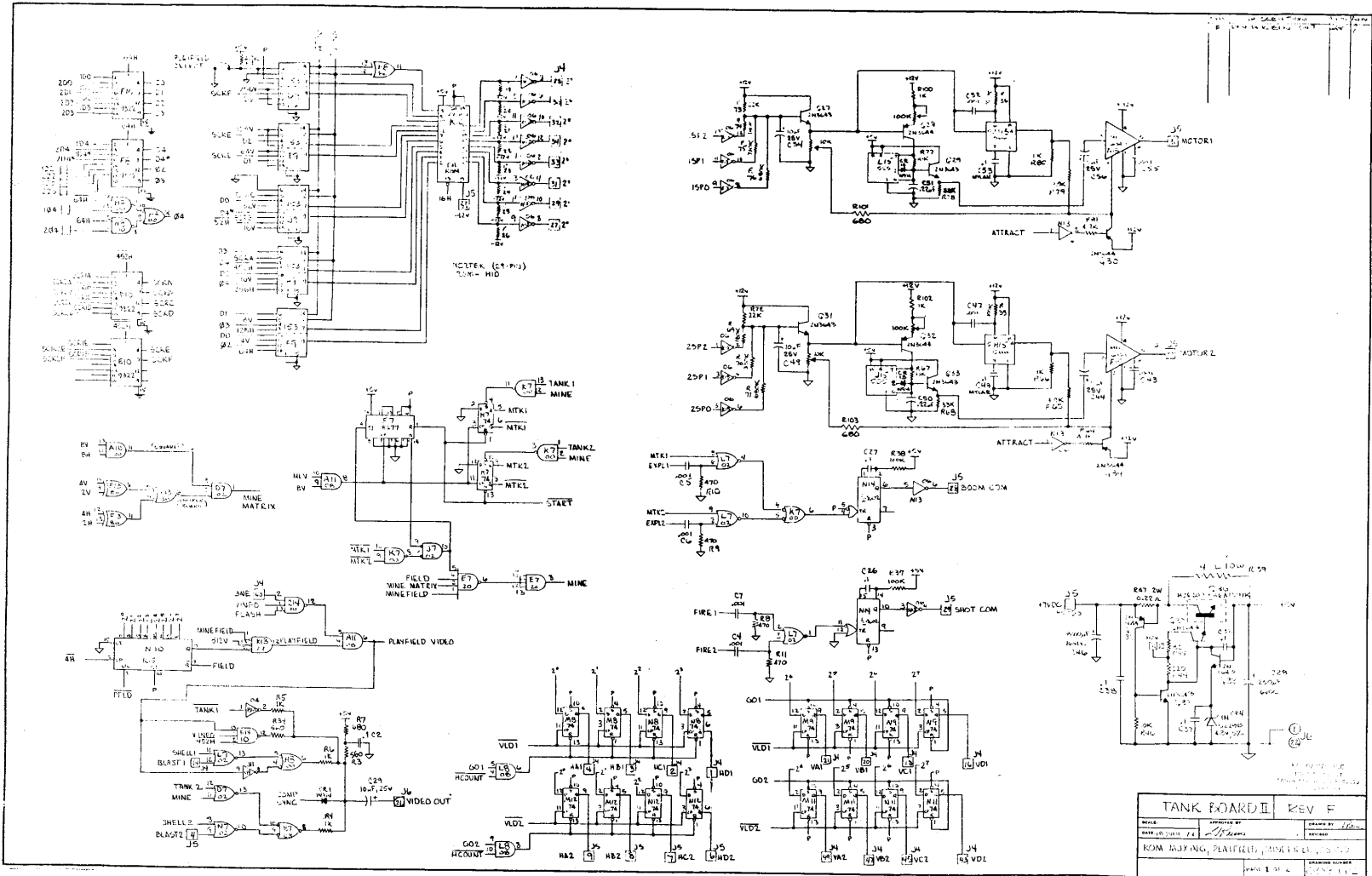
TANK BOARD II REV F		
SCALE:	APPROVED BY:	DRAWN BY:
DATE: 10 JUNE 74	<i>[Signature]</i>	<i>[Signature]</i>
ROM MUXING, PLAYFIELD, MINEFIELD, SOUND		
PAGE 1 OF 2	DRAWING NUMBER: 003112	



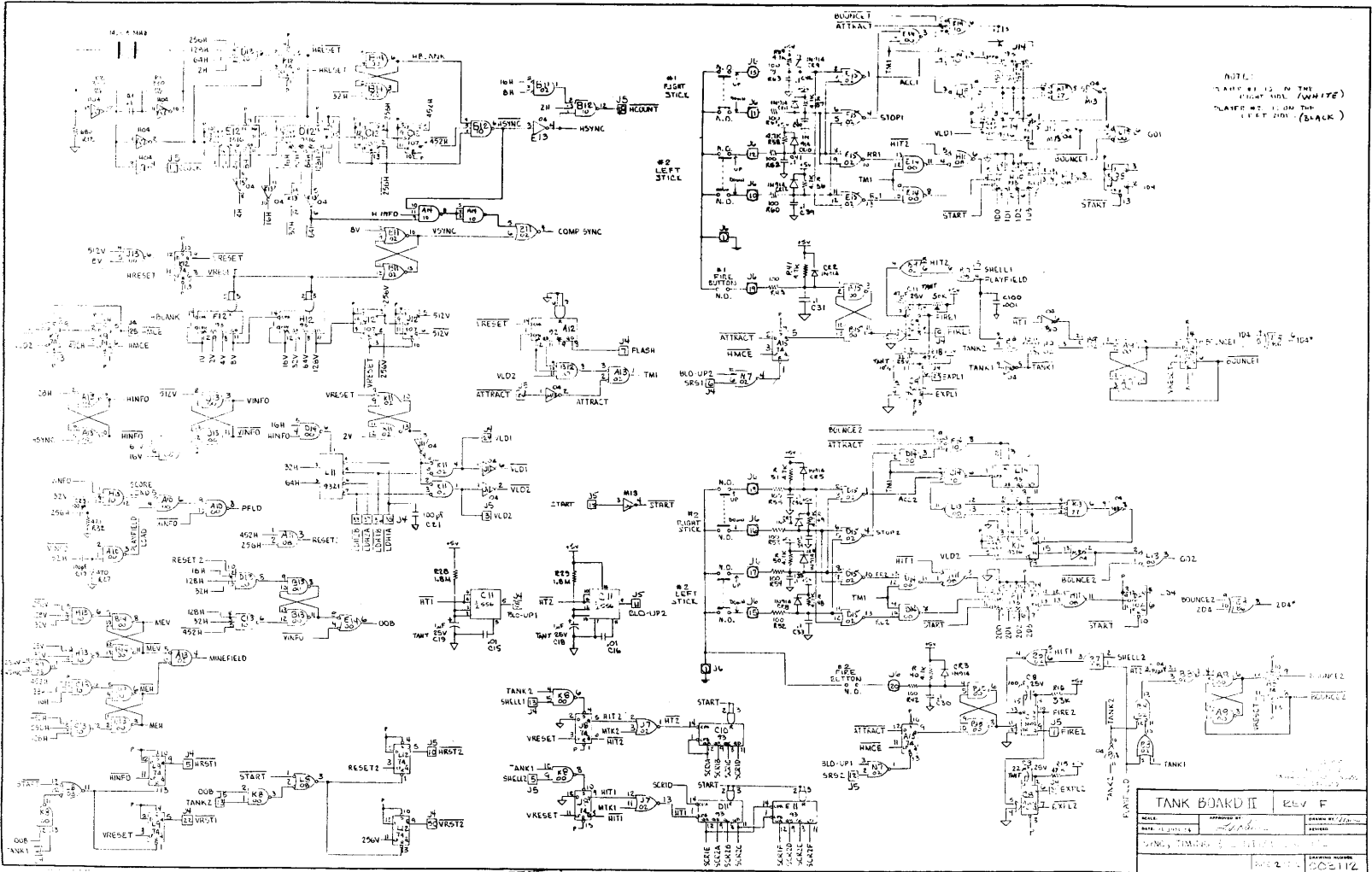
NOTE:
 PLAYER #1 IS ON THE
 RIGHT SIDE. (WHITE)
 PLAYER #2 IS ON THE
 LEFT SIDE. (BLACK)

K&E GAMES, INC.
 330 MATHEW ST.
 SANTA CLARA, CALIF. 95050
 (408) 249-6090

TANK BOARD II		REV F
SCALE:	APPROVED BY: <i>L.V. Rains</i>	DRAWN BY: <i>V. Rains</i>
DATE: 11 JUN 74		REVISED
SYNC, TIMING & CONTROL CIRCUITS		
		PAGE 2 OF 2
		DRAWING NUMBER 003112



TANK BOARD II		REV F
DATE: 10/10/77	DESIGNED BY: J. H. HARRIS	DRAWN BY: J. H. HARRIS
FROM: MEXING, PLATEFIELD, MODEL 100, 100-200		REVISIONS:
PAGE 1 OF 2		DATE: 10/10/77



NOTE:
 PLATE #1 IS IN THE
 FRONT CAB (WHITE)
 PLATE #2 IS ON THE
 LEFT SIDE (BLACK)

TANK BOARD II		REV F
DATE:		
APPROVED:		
DESIGNED BY:		
CHECKED BY:		
DRAWN BY:		
DATE:		02/11/72