



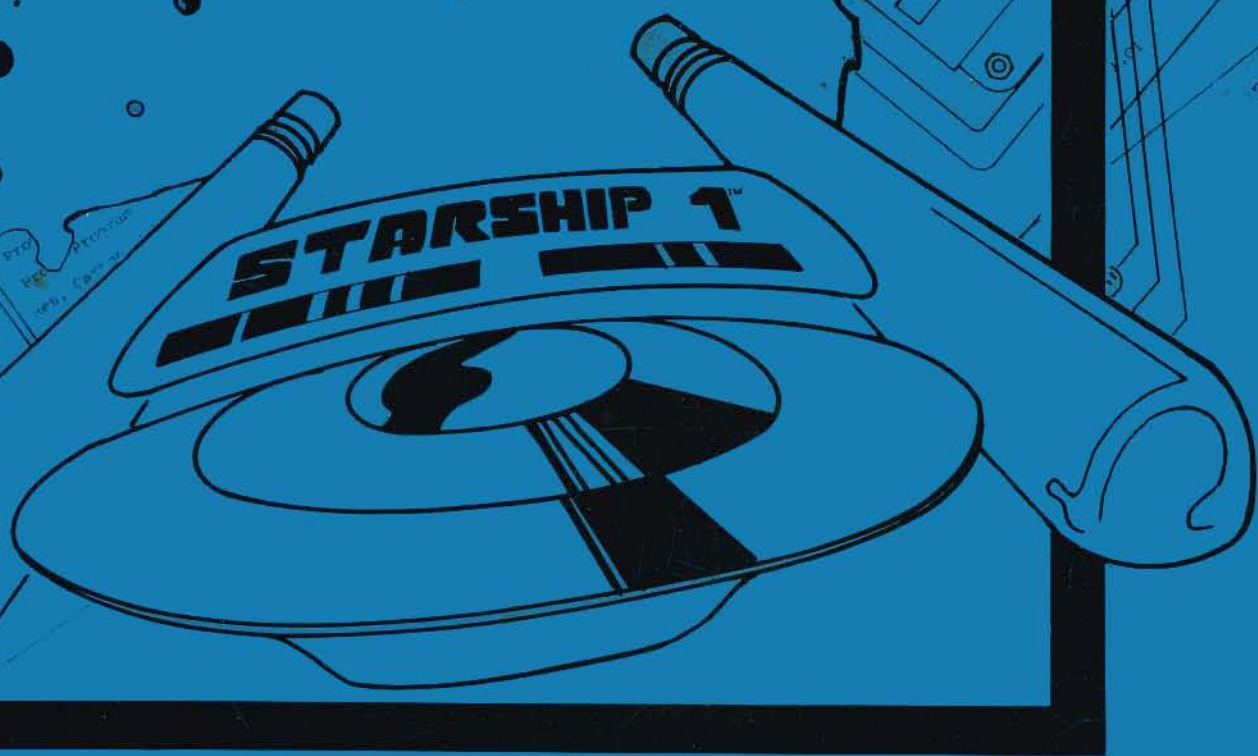
PCB Assen

Parts List

Page 3 of 6

Item	Part Number	Qty.	Description
Me	37-5215		
Rough and To Test Drawing			
This drawing is a rough and to test drawing. It is not a final drawing and should not be used for manufacturing. It is intended for use in the development of the product and should be used as a guide only.			

STARSHIP 1



illustrated parts catalog

WARRANTY

Seller warrants that its printed circuit boards and parts thereon are free from defects in material and workmanship under normal use and service for a period of ninety (90) days from date of shipment. Seller warrants that its television monitors (in games supplied with monitors) are free from defects in material and workmanship under normal use and service for a period of thirty (30) days from date of shipment. None of the Seller's other products or parts thereof are warranted.

If the products described in this manual fail to conform to this warranty, Sellers' sole liability shall be, at its option, to repair, replace, or credit Buyer's account for such products which are returned to Seller during said warranty period, provided:

(a) Seller is promptly notified in writing upon discovery by Buyer that said products are defective;

(b) Such products are returned prepaid to Sellers' plant; and

(c) Seller's examination of said products discloses to Seller's satisfaction that such alleged defects existed and were not caused by accident, misuse, neglect, alteration, improper repair, installation or improper testing.

In no event shall Seller be liable for loss of profits, loss of use, incidental or consequential damages.

EXCEPT FOR ANY EXPRESS WARRANTY SET FORTH IN A WRITTEN CONTRACT BETWEEN SELLER AND BUYER WHICH CONTRACT SUPERSEDES THE TERMS OF THIS ORDER, THIS WARRANTY IS EXPRESSED IN LIEU OF ALL OTHER WARRANTIES EXPRESSED OR IMPLIED, INCLUDING THE IMPLIED WARRANTIES OF MERCHANTABILITY AND FITNESS FOR A PARTICULAR PURPOSE, AND OF ALL OTHER OBLIGATIONS OR LIABILITIES ON THE SELLER'S PART, AND IT NEITHER ASSUMES NOR AUTHORIZES ANY OTHER PERSON TO ASSUME FOR THE SELLER ANY OTHER LIABILITIES IN CONNECTION WITH THE SALE OF PRODUCTS UNDER THIS ORDER.

This document is and contains confidential trade secret information of Atari, Inc.

This document is loaned under confidential custody for the sole purpose of operation, maintenance or repair of Atari equipment and may not be used by or disclosed to any person for any other purpose whatever, and remains the property of Atari, Inc.

Neither it nor the information it contains may be reproduced, used, or disclosed to persons not having a need to know consistent with the purpose of the loan, without written consent of Atari, Inc.

STARSHIP 1™ illustrated parts catalog

ATARI INC
1265 BORREGAS AVENUE
P.O. BOX 9027
SUNNYVALE, CALIFORNIA 94086
408/745-2000 • TELEX 35-7488



ATARI®

This catalog is a supplement to the Starship 1™ Operation, Maintenance and Service Manual, Atari Publication Number TM-085. The purpose of this catalog is to provide you with the necessary information for ordering replacement parts for the Starship 1 game.

When ordering parts from your distributor, give the part number, part name, applicable page number of this catalog, and the serial number of your Starship 1 game. This will help to avoid confusion and mistakes in your order. We hope the results will be less downtime and more profit from your Starship 1 game.

If there are any questions about this catalog, please contact our Customer Service Department. You may call them Monday through Friday from 7:30 am to 4:00 pm Pacific Time at one of the following numbers:

from outside California, call toll free
(800) 538-6892

from inside California, Alaska or Hawaii, call
(408) 984-1900

All rights reserved. Copyright © 1977 by Atari, Inc. No part of this publication may be reproduced by any mechanical, photographic, or electronic process, or in the form of a phonographic recording, nor may it be stored in a retrieval system, transmitted, or otherwise copied for public or private use, without permission from the publisher.

LIST OF ILLUSTRATIONS

Figure 1	Starship 1 Final Assembly.....	1
Figure 2	TV Shelf Assembly.....	6
Figure 3	Display Light Assembly.....	8
Figure 4	Coin Door Final Assembly.....	10
Figure 5	Coin Door Assembly.....	12
Figure 6	Power Supply Assembly.....	14
Figure 7	RF Shield PCB Assembly.....	16
Figure 8	Starship 1 Game PCB Assembly	18
Figure 9	Control Panel Assembly.....	26
Figure 10	Thrust Control Assembly.....	29
Figure 11	Flight Control Assembly.....	31

NOTICE TO ALL PERSONS RECEIVING THIS DRAWING
 CONFIDENTIAL. Reproduction forbidden without the
 specific written permission of Atari, Inc., Sunnyvale
 California. This drawing is only conditionally issued, and
 neither receipt nor possession thereof confers or transfers
 any right in, or license to use, the subject matter of the
 drawing, or any design or technical information shown
 thereon, nor any right to reproduce this drawing or any part
 thereof, except for manufacture by vendors of Atari Incorporated
 and for manufacture under the corporation's written
 license. No right to reproduce this drawing is granted or
 the subject matter thereof unless by written agreement
 with or written permission from the corporation.

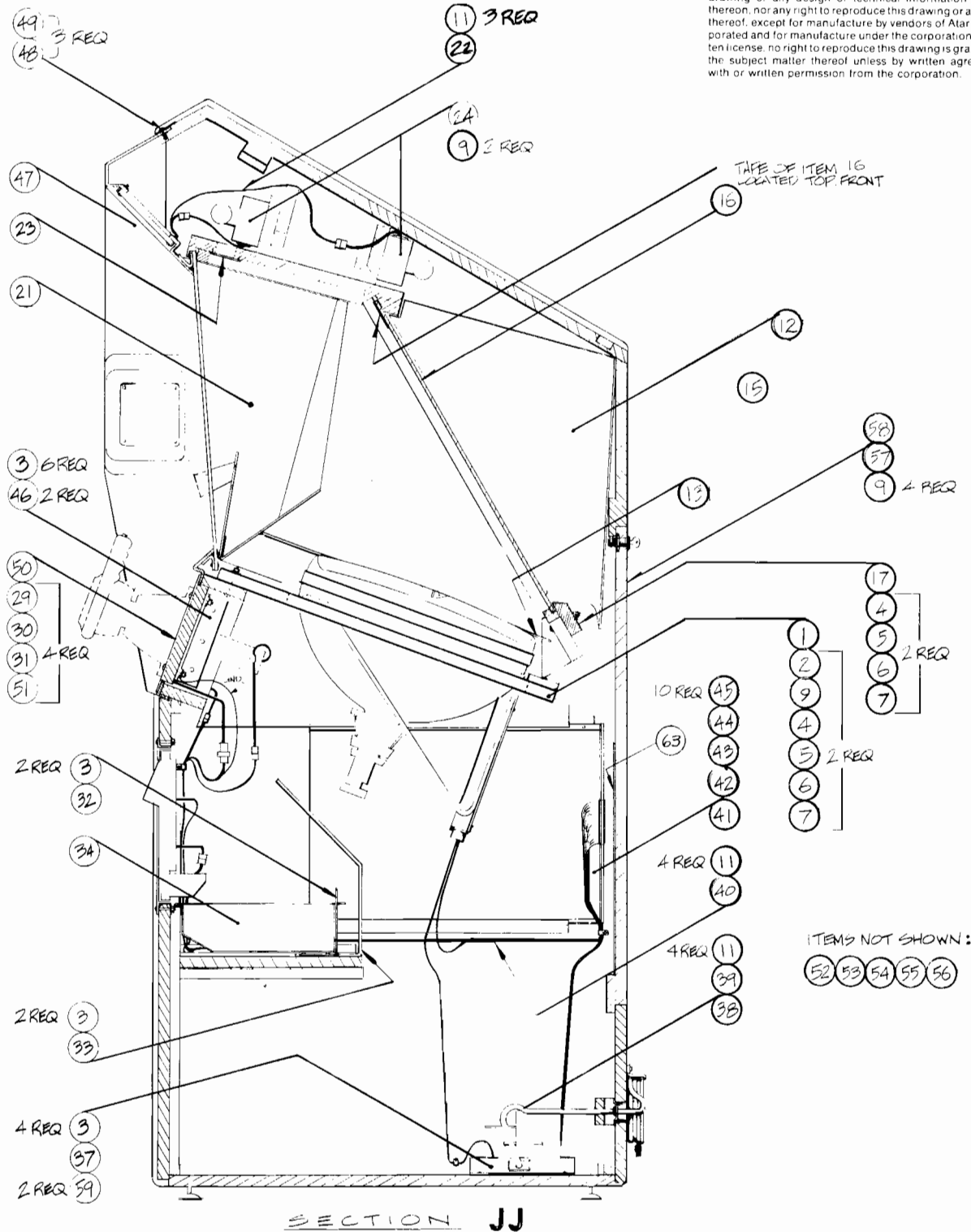


Figure 1 Starship 1 Final Assembly
 A008575-01 C

NOTICE TO ALL PERSONS RECEIVING THIS DRAWING
 CONFIDENTIAL. Reproduction forbidden without the
 specific written permission of Atari, Inc., Sunnyvale,
 California. This drawing is only conditionally issued, and
 neither receipt nor possession thereof confers or transfers
 any right in, or license to use, the subject matter of the
 drawing or any design or technical information shown
 thereon, nor any right to reproduce this drawing or any part
 thereof, except for manufacture by vendors of Atari incor-
 porated and for manufacture under the corporation's writ-
 ten license, no right to reproduce this drawing is granted or
 the subject matter thereof unless by written agreement
 with or written permission from the corporation.

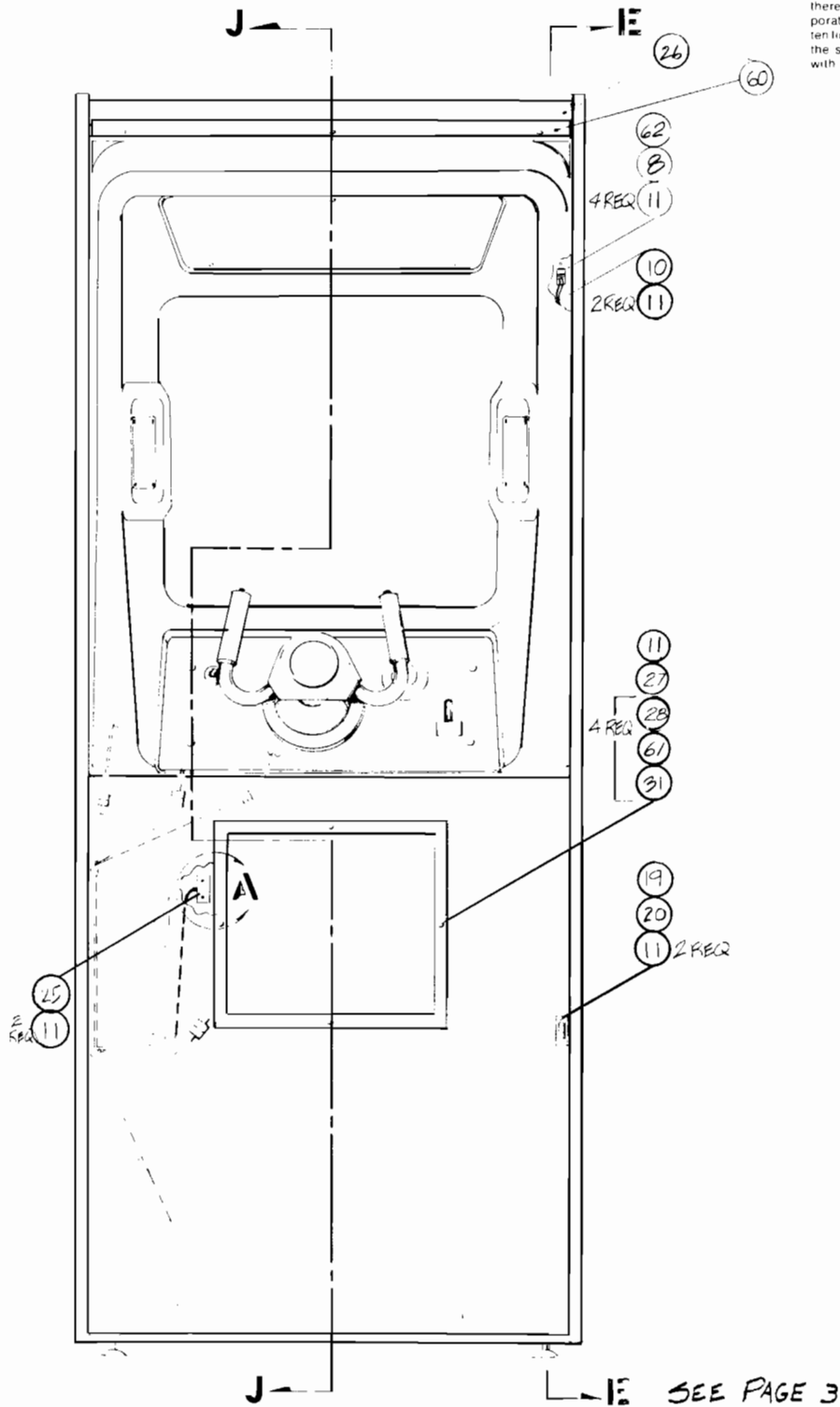


Figure 1 Starship 1 Final Assembly
 A008575-01 C

NOTICE TO ALL PERSONS RECEIVING THIS DRAWING
 CONFIDENTIAL. Reproduction forbidden without the
 specific written permission of Atari, Inc., Sunnyvale
 California. This drawing is only conditionally issued, and
 neither receipt nor possession thereof confers or transfers
 any right in, or license to use, the subject matter of the
 drawing or any design or technical information shown
 thereon, nor any right to reproduce this drawing or any part
 thereof, except for manufacture by vendors of Atari Incorporated
 and for manufacture under the corporation's written
 license. No right to reproduce this drawing is granted or
 the subject matter thereof unless by written agreement
 with or written permission from the corporation.

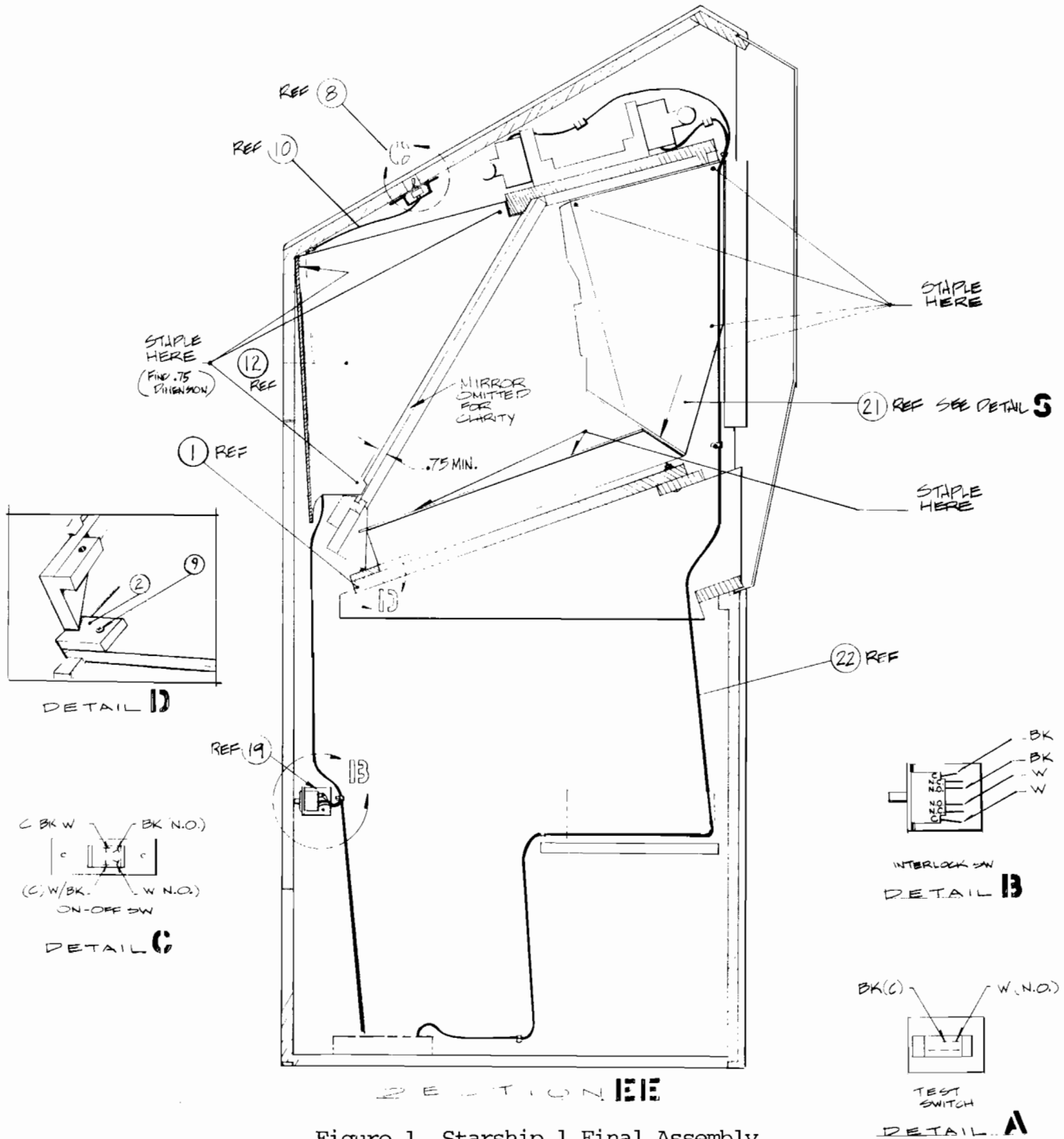


Figure 1 Starship 1 Final Assembly
 A008575-01 C

Figure 1 Starship 1 Final Assembly
Parts List



Item	Part Number	Qty.	Description
1	A008577-01	1	TV Shelf Assy - See Figure 2
2	009264-01	2	Block TV Tray
3	72-6812	14	Screw, SM. #8x3/4Lg., Phil Pan Hd.
4	75-0105	4	#10 Washer Flat
5	75-040	4	#10 Washer, Split Lock
6	75-5132N	4	Bolt, Carriage, #10-24x2.00 Lg.
7	75-911S	4	#10-24 Nut, Hex
8	A006449-01	1	On-Off Switch Assy
9	82-1824	8	Wood Screw, #8x1.50"Lg. Flat Hd. Phil
10	A009013-01	1	Power Switch Harness
11	72-6610	22	Screw, SM., Pan Hd., Phil., #6x5/8"Lg
12	008579-01	1	Rear Bezel W/Starship Graphics
13	008572-01	1	Monitor Mask
14			
15	006682-01	1	Screen Decal
16	A009341-01	1	Mirror/Tape Assembly
17	A008557-01	1	Mirror Tie-Down Panel Assy
18			
19	68-002	1	AC Power Interlock Switch
20	000268-02	1	Bracket, Switch Mounting
21	008582-01	1	Front Bezel, W/Starship Graphics
22	A009270-01	REF	Fluorescent Light Harness
23	009339-01	1	Light Window Overlay
24	A008568-01	1	Display Light Assembly - See Figure 3
25	A006548-01	1	Slide Switch Assembly
26	A008571-02	1	Cabinet Assembly with Graphics
27	A009083-01	1	Coin Door Final Assy. for American Quarter Only - See Figure 4
	or		
	A009083-02		Coin Door Final Assy. for Belgian 5 Francs Only- See Figure 4
	or		
	A009083-03		Coin Door Final Assy. for German Mark Only - See Figure 4
	or		
	A009083-04		Coin Door Final Assy. for Swedish Krona Only - See Figure 4
	or		
	A009083-05		Coin Door Final Assy. for Japanese 100 Yen Only - See Figure 4
	or		
	A009083-06		Coin Door Final Assy. for English 10 Pence Only - See Figure 4
	or		
	A009083-07		Coin Door Final Assy. for Australian 20-Cent Piece Only See Figure 4

Figure 1 Starship 1 Final Assembly
Parts List



Item	Part Number	Qty.	Description
28	75-5516 B	4	Bolt, Carriage, # $\frac{1}{4}$ -20x1.00" Lg, Black
29	75-935S	4	Nut, Wing $\frac{1}{4}$ -20
30	75-045	4	Washer Split Lock, $\frac{1}{4}$ "
31	75-015S	8	Washer, Flat $\frac{1}{4}$ "
32	006870-01	1	Bracket, Coin Box
33	009343-01	1	Yoke Shield
34	A007902-01	1	Cash Box Assembly
35			
36			
37	A007197-01	1	Power Supply Assembly (B) - See Figure 6
38	A007784-01	1	Power Cord Assembly
39	78-25001	1	Screw Down Tie Wrap
40	A006912-01	1	Main Harness
41	A005912-02	1	R.F. Shield Box Assembly Less Stop
42	A006685-01	1	R.F. Shield PCB Assembly - See Figure 7
43	A006694-XX	1	PCB Assembly Starship (19.00) - See Figure 8
44	72-6808	1	Screw, SM., Pan., Hd., Phil., # $8 \times \frac{1}{2}$ " Lg
45	72-6608	10	Screw, SM., Pan., Hd., Phil., # $6 \times \frac{1}{2}$ " Lg
46	001638-01	2	Bracket Panel MTG
47	A006676-01	1	Front Housing Assembly
48	82-8016	3	Screw, Button Hd. Socket Cap, 10-32x1.00" Lg
49	75-99090006	3	Well Nut, Blind Hole Fastener, 10-32
50	A006673-01	1	Control Panel Assembly - See Figure 9
51	75-5524B	4	Bolt Carriage # $\frac{1}{4}$ -20x1.50" Lg., Black
52	009342-01	1	Bonus Time Cover
53	TM-085	1	Technical Manual
54	IPC-085	1	Illustrated Parts Catalog
55	006305-01	1	Printed Poly Bag
56	A006683-XX	1	Shipping Container Assembly
57	A006647-02	1	Rear Door Assembly W/Lock
58	005233-01	1	Rear Door Seal
59	46-201202	2	Fuse, 2 AMP
60	009345-01	1	Seam Cover
61	75-990505S	4	# $\frac{1}{4}$ -20 Nylon Lock nuts
62	007103-01	1	On/Off switch cover
63	ST-085	1	Self-test chart

NOTICE TO ALL PERSONS RECEIVING THIS DRAWING
CONFIDENTIAL. Reproduction forbidden without the
specific written permission of Aarn, Inc. Sunnyvale
California. This drawing is only conditionally issued and
neither receipt nor possession hereof confers or transfers
any right in or license to use, the subject matter of the
drawing or any design or technical information shown
thereon, nor any right to reproduce this drawing or any part
thereof, except for manufacture by vendors of Aarn incor-
porated and for manufacture under the corporation's writ-
ten license no right to reproduce this drawing is granted or
the subject matter hereof unless by written agreement
with or written permission from the corporation

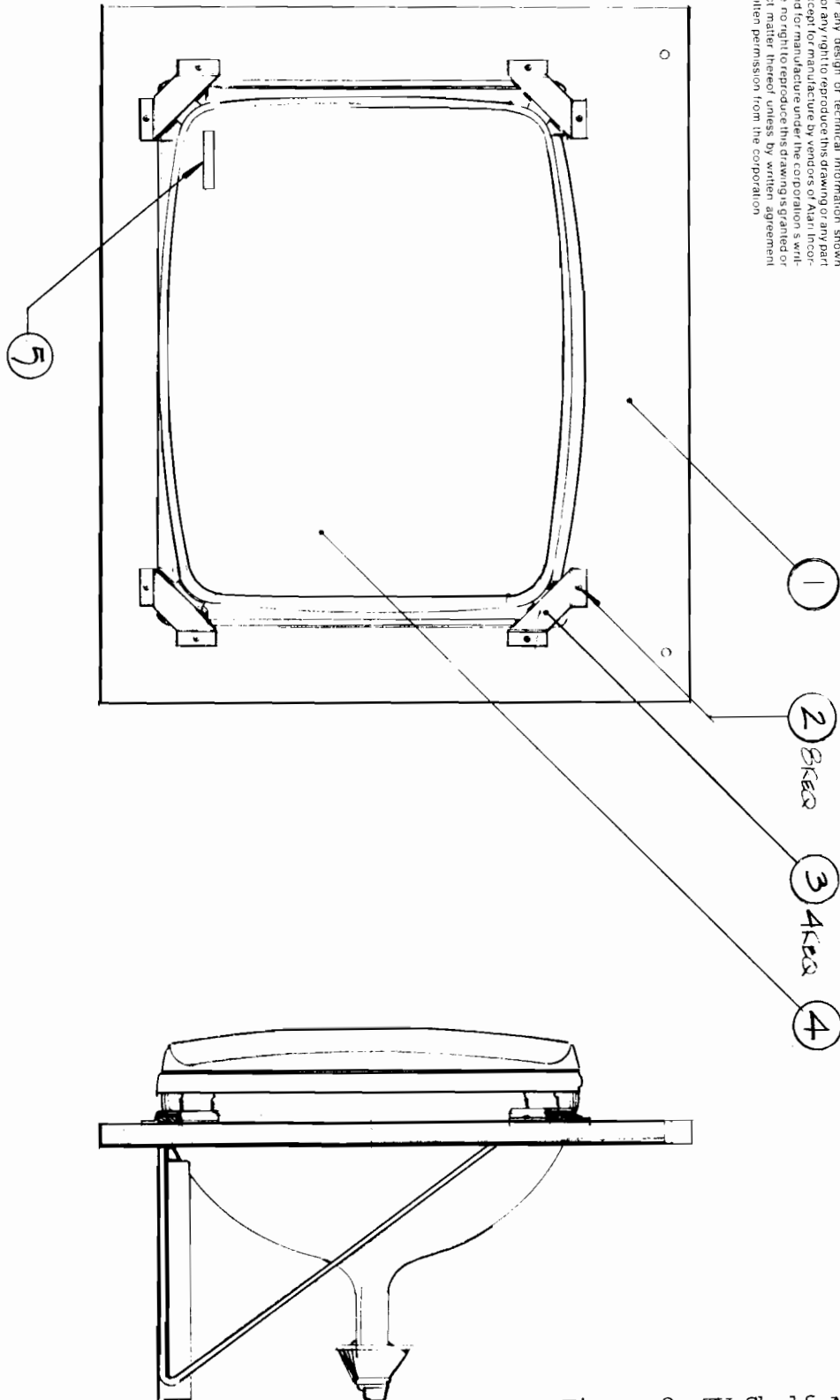
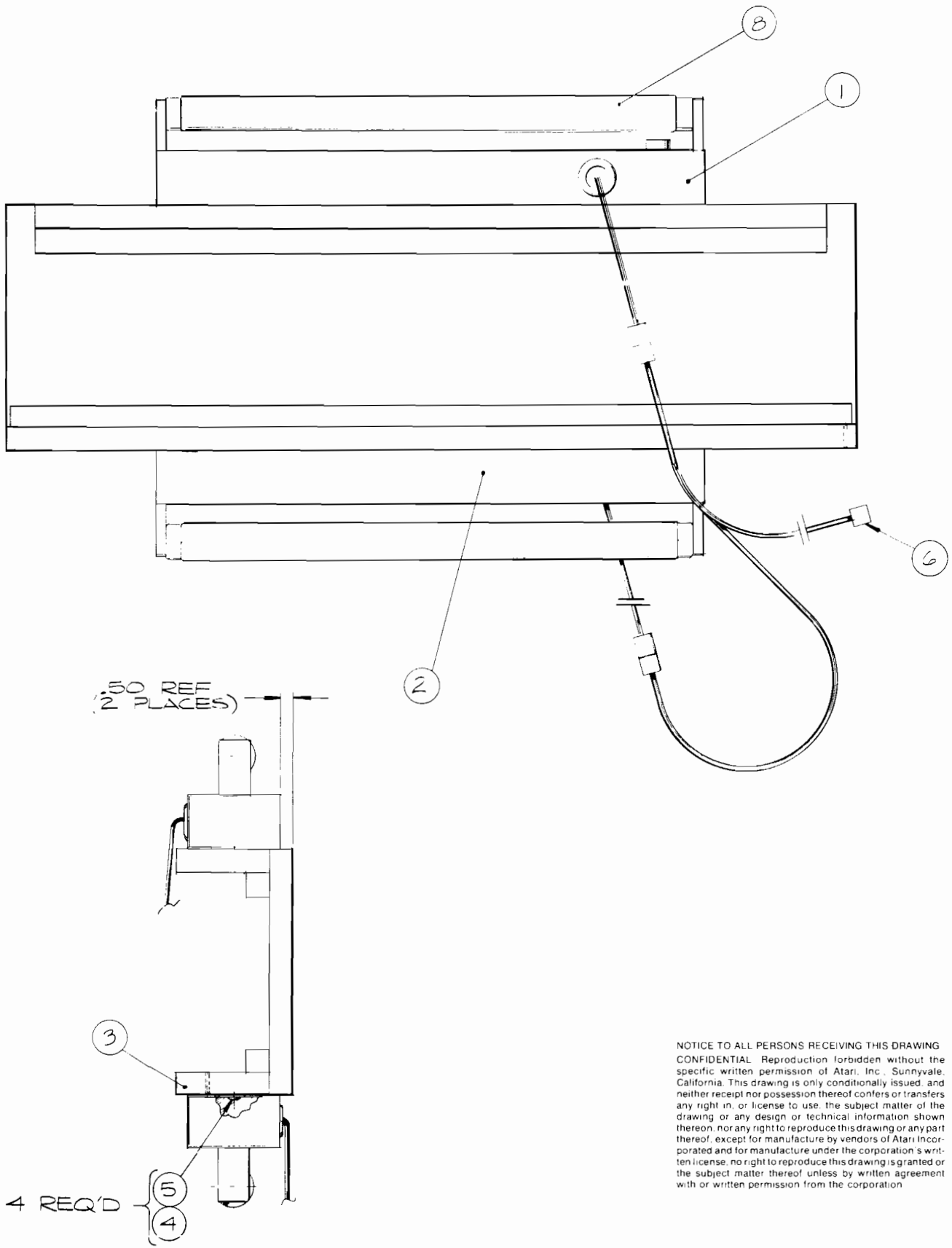


Figure 2 TV Shelf Assembly
A008577-01 C

Figure 2 TV Shelf Assembly
Parts List



Item	Part Number	Qty.	Description
1	008556-01	1	T.V. Shelf
2	72-6812	8	Screws, Self Tapping, #8 x 3/4 Phil. Pan Hd
3	005594	4	Monitor Tie Down
4	92-032 or 92-030	1	23-inch TV Monitor, Motorola Model M7000-155 23-inch TV Monitor, TEC Model TM-623
5	006319-02	1	Copyright Decal



NOTICE TO ALL PERSONS RECEIVING THIS DRAWING
 CONFIDENTIAL. Reproduction forbidden without the
 specific written permission of Atari, Inc., Sunnyvale,
 California. This drawing is only conditionally issued, and
 neither receipt nor possession thereof confers or transfers
 any right in, or license to use, the subject matter of the
 drawing or any design or technical information shown
 thereon, nor any right to reproduce this drawing or any part
 thereof, except for manufacture by vendors of Atari Incorporated
 and for manufacture under the corporation's written
 license. No right to reproduce this drawing is granted or
 the subject matter thereof unless by written agreement
 with or written permission from the corporation.

Figure 3 Display Light Assembly
 A008568-01B

Figure 3 Display Light Assembly
Parts List



Item	Part Number	Qty.	Description
1	A008860-01	1	Black Light Assembly 18"
2	A005495-01	1	18-Inch Fluorescent Light Assembly
3	A008561-01	1	Light Mount Assembly
4	72-6812	4	#8 x 3/4" S.M. Screw
5	75-010S	4	Washer Flat, #10
6	A009270-01	1	Fluorescent Light Harness
7			
8	70-306	1	Fluorescent Tube 18" (F15 T8/BL)

NOTICE TO ALL PERSONS RECEIVING THIS DRAWING:
 CONFIDENTIAL. Reproduction forbidden without the
 specific written permission of Atari, Inc., Sunnyvale,
 California. This drawing is on the property of Atari, Inc.
 neither recipient nor user of this drawing is to have
 any right in or license to use, the subject matter of this
 drawing or any design or technical information shown
 thereon, nor any right to reproduce this drawing or any part
 thereof, except for manufacture by vendors of Atari Incorporated
 and for manufacture under the corporation's written
 license; no right to reproduce this drawing is granted or
 the subject matter thereof, unless by written agreement
 with or written permission from the corporation.

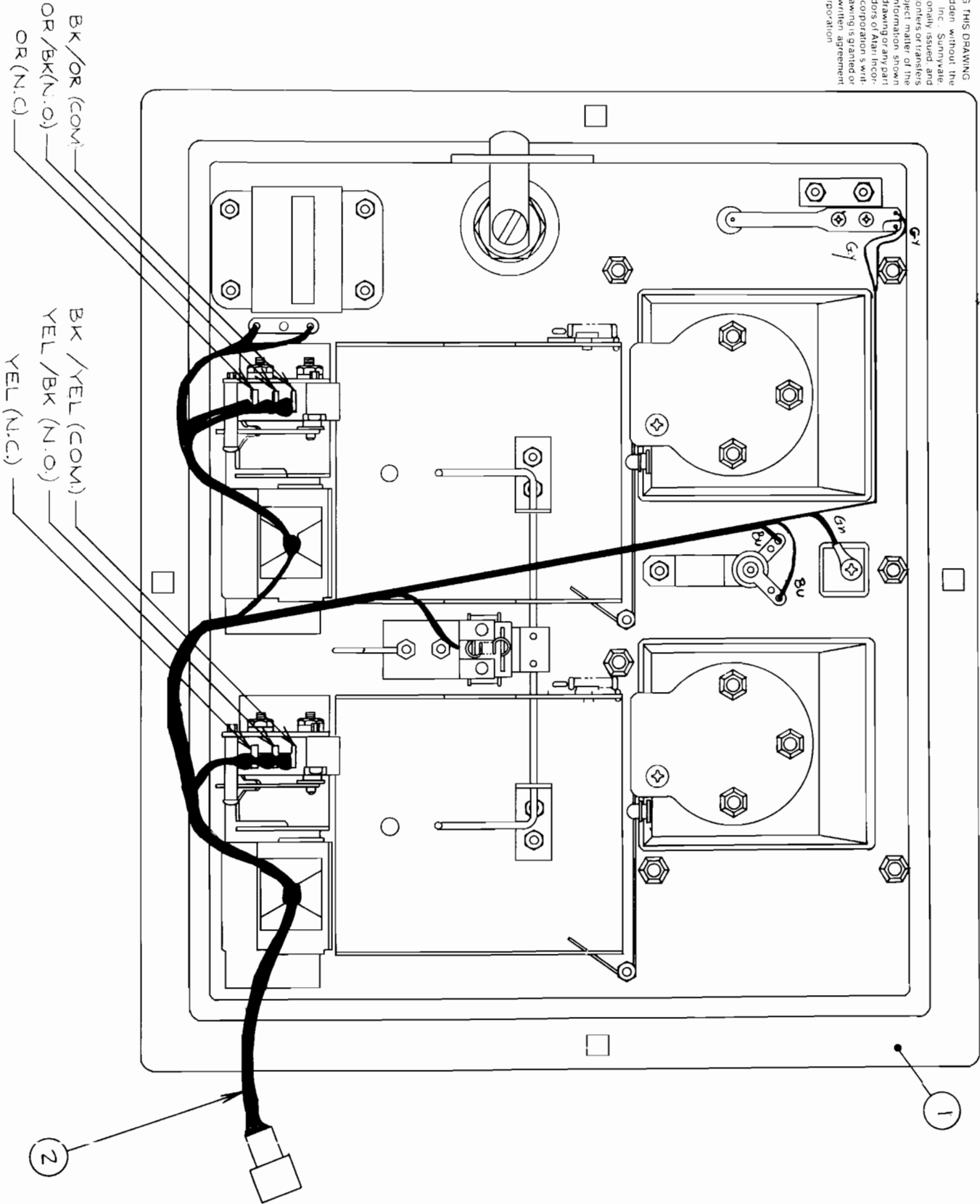


Figure 4 Coin Door Final Assembly
 A009083-01 through -07 C

Figure 4 Coin Door Final Assembly
Parts List



Item	Part Number	Qty.	Description
1	A006794-01	1	Coin Door Assy. for American Quarter Only - See Figure 5.
	A006794-02	Ref.	Coin Door Assy. for Belgian 5 Francs Only - See Figure 5.
	A006794-03	Ref.	Coin Door Assy. for German Mark Only - See Figure 5.
	A006794-04	Ref.	Coin Door Assy. for Swedish Krona Only - See Figure 5.
	A006794-05	Ref.	Coin Door Assy. for Japanese 100 Yen Only - See Figure 5.
	A006794-06	Ref.	Coin Door Assy. for English 10 Pence Only - See Figure 5.
	A006794-07	Ref.	Coin Door Assy. for Australian 20-Cent Piece Only - See Figure 5.
2	A006921-01	1	Harness Assembly

 A Warner Communications Company

NOTICE TO ALL PERSONS RECEIVING THIS DRAWING
CONFIDENTIAL. Reproduction forbidden without the
specific written permission of Atan, Inc. Sunnyside,
New York. This drawing is the property of Atan, Inc.
and is loaned to you for your use only. It is not to be
reproduced, copied, or transmitted in any form or
by any means, electronic or mechanical, including
photocopying, recording, or by any information
storage and retrieval system, without the prior
written permission of Atan, Inc. The corporation's
policy is to protect its intellectual property and to
control the distribution of its technical information.
If you have any questions regarding this drawing or
any other technical information, please contact
Atan, Inc. at (516) 433-1111. Thank you for your
cooperation and for manufacturing under the corporation's
written license. No right to reproduce this drawing is granted or
the subject matter hereof unless by written agreement
with or written permission from the corporation.

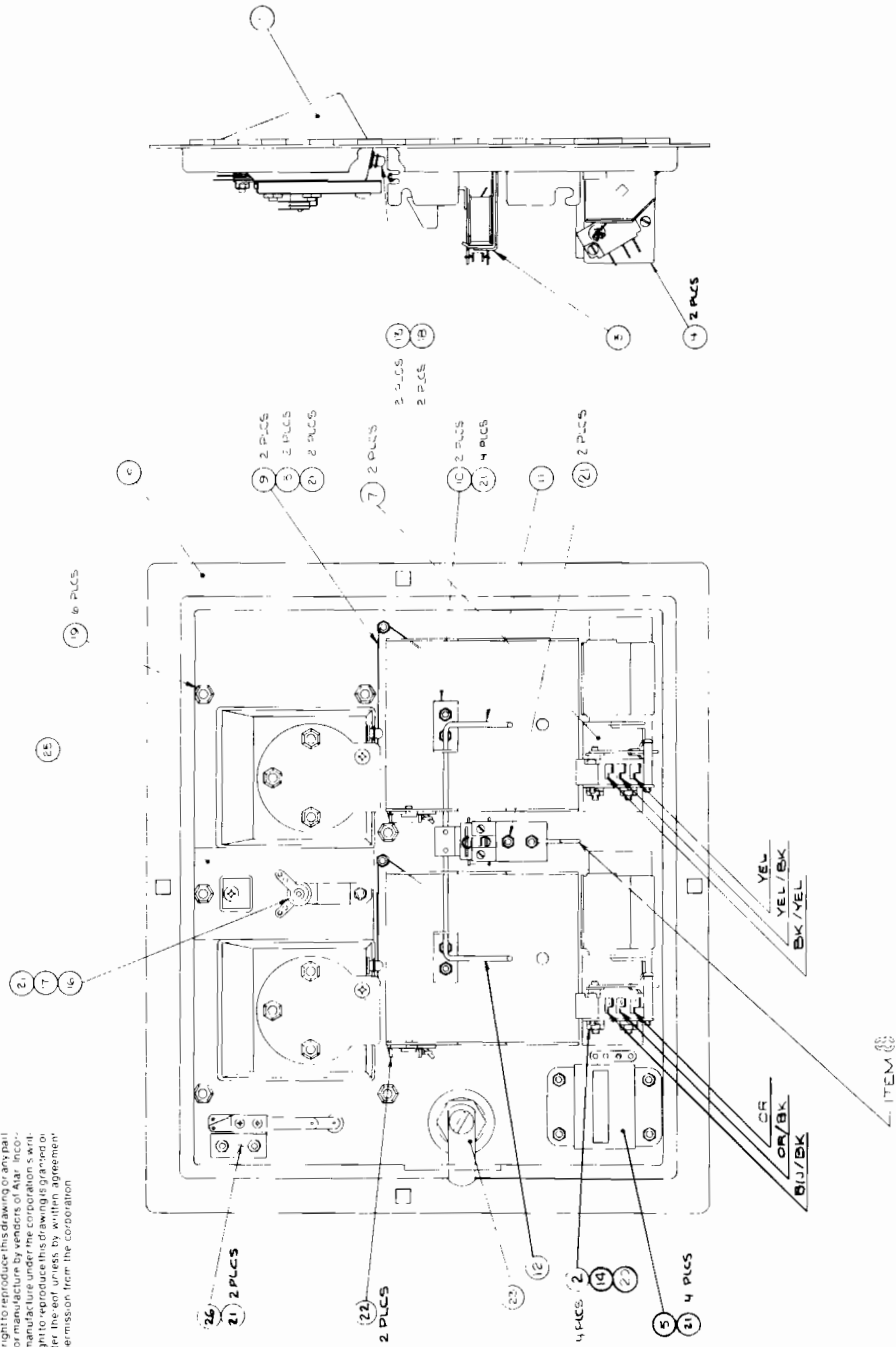


Figure 5 Coin Door Assembly
A006794-01 through -07 C

Figure 5 Coin Door Assembly
Parts List



Item	Part Number	Qty.	Description
1	A007637-01	1	Front Bezel Assy. - Used only on -01 Coin Door Assy.
	A007637-02	Ref.	Front Bezel Assy. - Used only on -02 Coin Door Assy.
	A007637-03	Ref.	Front Bezel Assy. - Used only on -03 Coin Door Assy.
	A007637-04	Ref.	Front Bezel Assy. - Used only on -04 Coin Door Assy.
	A007637-05	Ref.	Front Bezel Assy. - Used only on -05 Coin Door Assy.
	A007637-06	Ref.	Front Bezel Assy. - Used only on -06 Coin Door Assy.
	A007637-07	Ref.	Front Bezel Assy. - Used only on -07 Coin Door Assy.
2	75-9165	4	Nut 6-32
3	A007639-01	1	Coin Lock-Out Assembly
4	A007640-01	2	Coin Switch Assembly
5	A002465-01	1	Coin Counter Assembly
6	004320-01	1	Coin Door Weldment
7	004341-01	2	Secondary Coin Chute
8	004344-01	1	Key Loop
9	004340-01	2	Spring-Return
10	004337-01	2	Bracket, Wire Form
11	004338-01	1	Lock-Out, Wire Form, R.H.
12	004336-01	1	Lock-Out, Wire Form, L.H.
13	004326-01	2	Button, Scavenger
14	75-046	4	Lock Washer, #6
15	006904-01	2	Spacer
16	007359-01	1	Lamp Socket
17	70-11-47	1	Lamp
18	73-3008	2	Retaining "C" Ring, Truarc #5103-25
19	75-9914001	6	Self-Threading Nut, Tinnerman #SR188006
20	75-026S	4	Washer #6
21	75-00516	13	Keypnut, Style 842, Stl., 6-32
22	008629-01	2	Spring
23	71-2118	1	Lock Assembly, Hudson Lock
24	71-1225CU	2	Coin Mechanism for American Quarter only
	71-125FB	Ref.	Coin Mechanism for Belgian 5 Francs Only
	71-121MG	Ref.	Coin Mechanism for German Mark only
	71-121KS	Ref.	Coin Mechanism for Swedish Krona Only
	71-12100YJ	Ref.	Coin Mechanism for Japanese 100 Yen Only
	71-1210PE	Ref.	Coin Mechanism for English 10 Pence Only
	71-1220CA	Ref.	Coin Mechanism for Australian 20-Cent Piece only
25	007753-01	1	Plate, Anti-Probe
26	A007638-01	1	Switch Assembly - Slam

 A Warner Communications Company

NOTICE TO ALL PERSONS RECEIVING THIS DRAWING
 CONFIDENTIAL. Reproduction forbidden without the
 specific written permission of Atari, Inc., Sunnyvale,
 California. This drawing is only conditionally issued and
 neither receipt nor possession thereof confers or transfers
 any right in or license to use the subject matter of the
 drawing or any design or technical information shown
 thereon nor any right to reproduce this drawing or any part
 thereof except for manufacture by vendors of Atari incor-
 porated and for manufacture under the corporation's writ-
 ten license. No right to reproduce this drawing is granted or
 the subject matter thereof unless by written agreement
 with or written permission from the corporation.

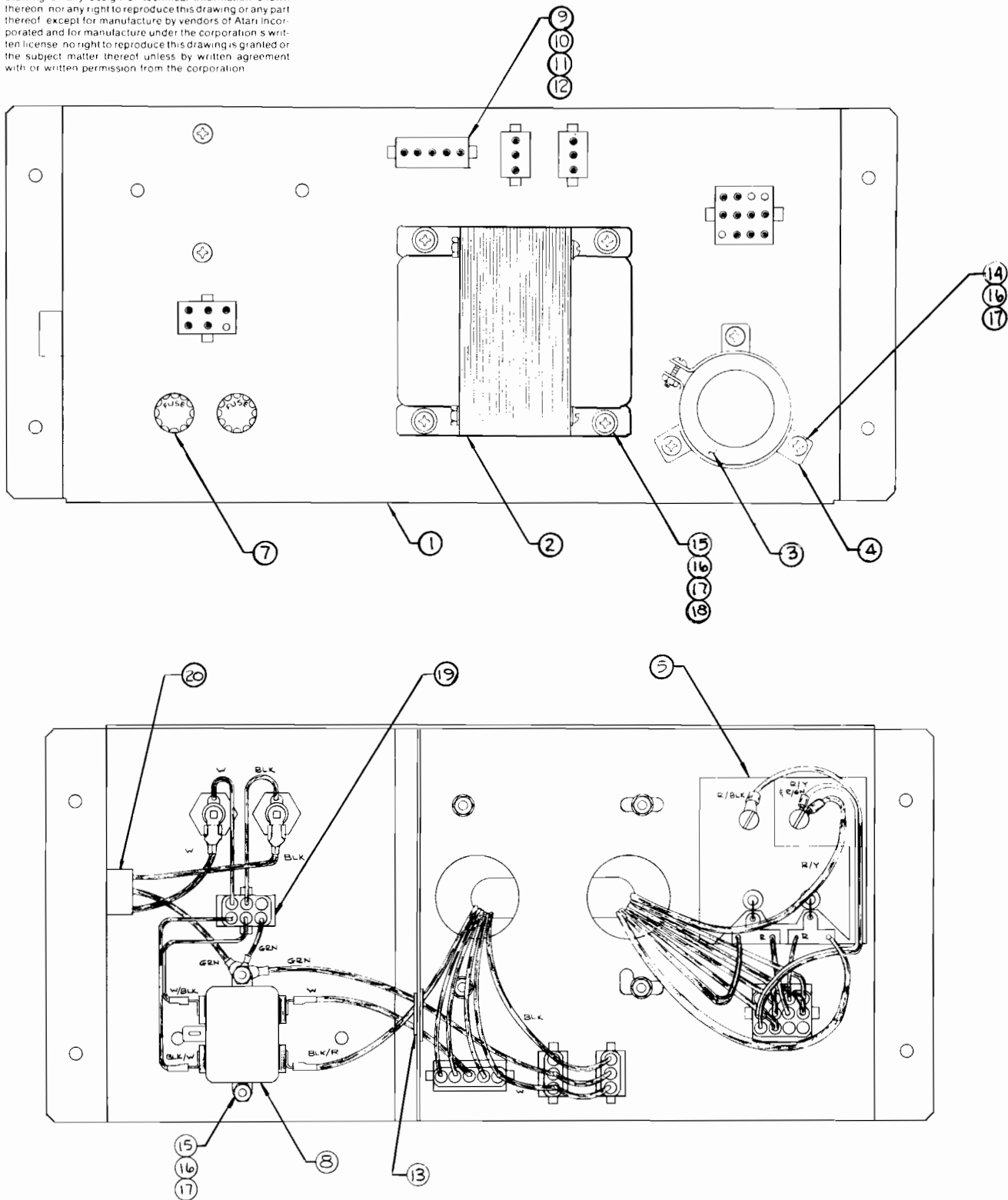


Figure 6 Power Supply Assembly
 A007197-01D

Figure 6 Power Supply Assembly
Parts List



Item	Part Number	Qty.	Description
1	A009266-01	1	Power Supply Base Weldment Assembly
2	A006886-01	1	Transformer Termination Assembly
3	29-053	1	Cap., Sprague Electrolytic 26,000 μ f @ 15V
4	78-70501SC	1	Brkt., Cap. Mtg. Sprague #4586-48
5	A006555-01	1	P.C. Board Rectifier
6			
7	79-4411004	2	Fuse Holder, Panel Mounting
8	41-2003	1	Filter, Power Line, 5 AMP
9	A006958-C1	A/R	Volt Sel. Block 95V
10	A006958-02	"	Volt Sel. Block 110V
11	A006958-03	"	Volt Sel. Block 205V
12	A006958-04	"	Volt Sel. Block 220V
13	78-2708	1	Grommet, Plastic
14	72-1808S	3	Screw Pan Hd., #8-32 x 1/2" Lg.
15	72-1812S	6	Screw Pan Hd., #8-32 x 3/4" Lg.
16	75-058	9	Washer, Lock, Internal Star #8
17	75-918S	9	Nut Hex #8
18	75-018S	4	Washer Flat #8
19	A007192-01	1	Power Switch Termination
20	A007444-01	1	Power In Harness

NOTICE TO ALL PERSONS RECEIVING THIS DRAWING
 CONFIDENTIAL. Reproduction forbidden without the
 specific written permission of Atari, Inc., Sunnyvale
 California. This drawing is only conditionally issued and
 neither receipt nor possession thereof confers or transfers
 any right in, or license to use, the subject matter of the
 drawing or any design or technical information shown
 thereon nor any right to reproduce this drawing or any part
 thereof except for manufacture by vendors of Atari Incor-
 porated and for manufacture under the corporation's writ-
 ten license no right to reproduce this drawing is granted or
 the subject matter thereof unless by written agreement
 with or written permission from the corporation

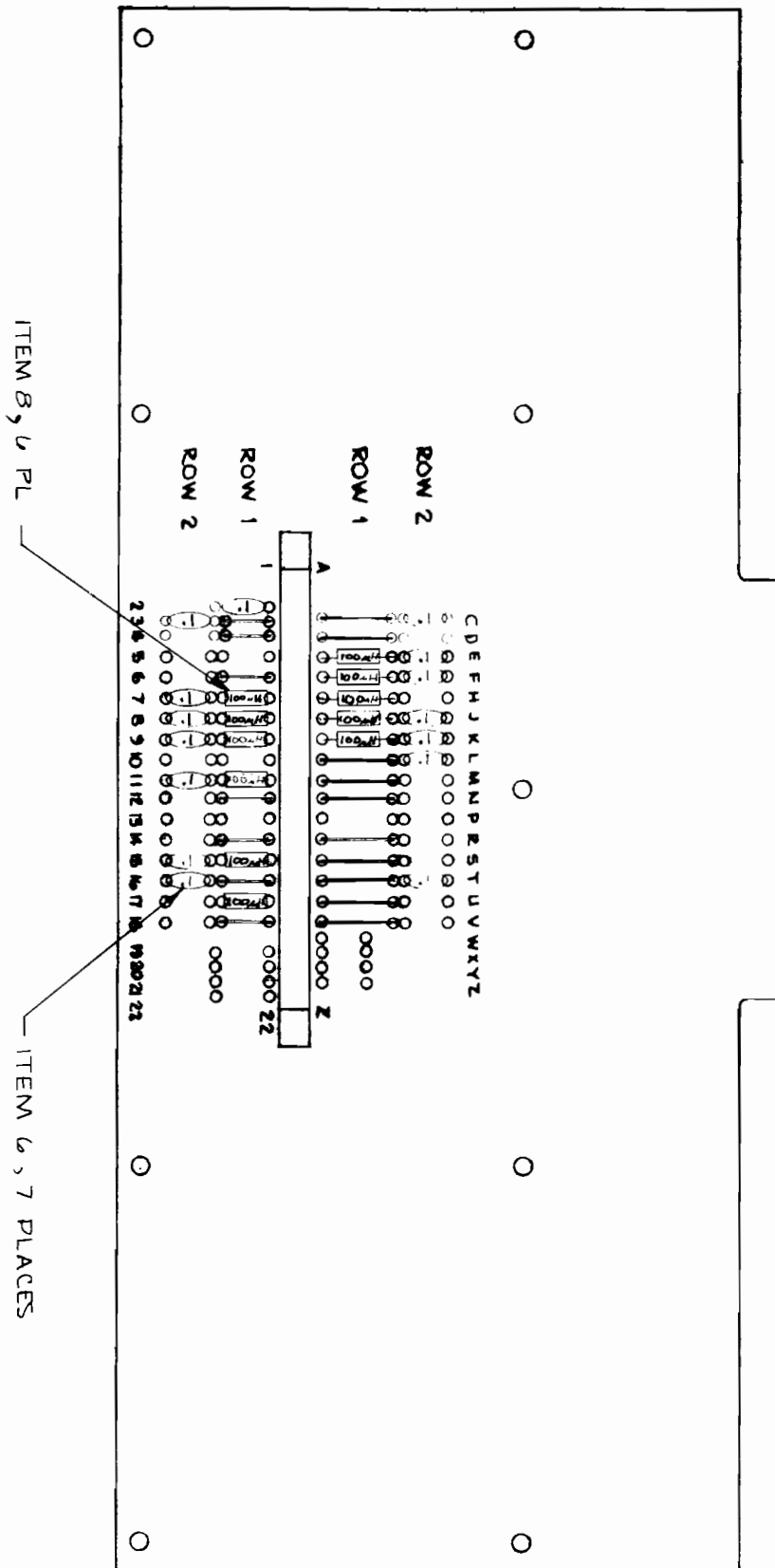


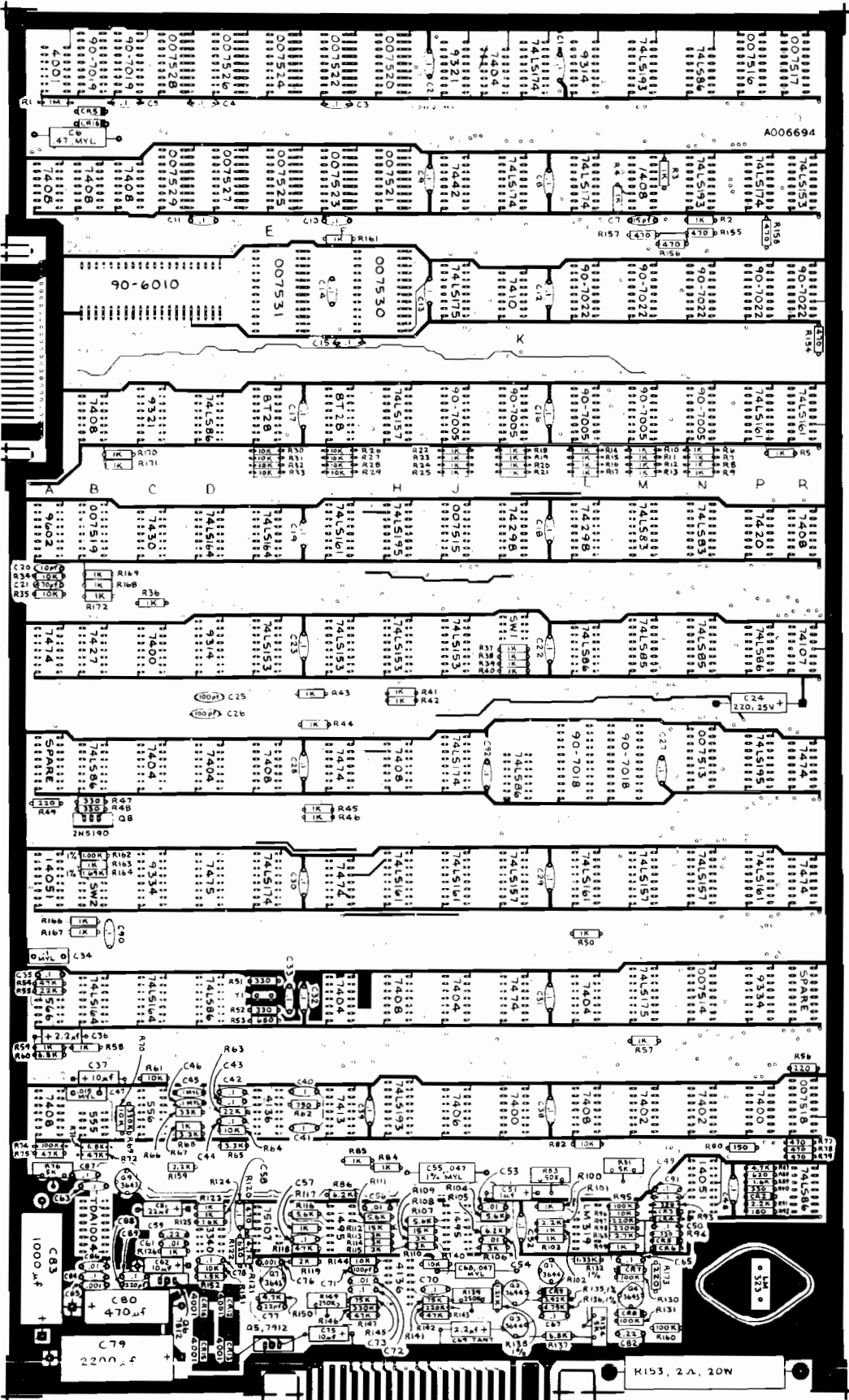
Figure 7 RF Shield PCB Assembly
 A006685-01A

Figure 7 RF Shield PCB Assembly
Parts List



Item	Part Number	Qty.	Description
1	006549-01	1	P.C. Board
2	517222	1	Connector, 44 Pin P.C. Mount
3	27-250104	8	Cap, Cer Disc 0.1 μ f 25V
4	52-003	10	Jumper, .60 Centers
5	52-004	7	Jumper, .30 Centers
6	27-A250104	7	Cap, Cer. Disc, 0.1 μ f 25V (Bottom Row)
7	41-3003	5	Inductor, 100 μ h (Large)
8	41-3004	6	Inductor, 100 μ h (Small, Bottom Row)

NOTICE TO ALL PERSONS RECEIVING THIS DRAWING
 CONFIDENTIAL. Reproduction forbidden without the
 specific written permission of Atari, Inc., Sunnyvale,
 California. This drawing is only valid for use by the
 recipient or its immediate successors. It is the recipient's
 responsibility to ensure that the recipient's successors
 are also notified of this restriction. No part of this
 drawing or any data hereon may be reproduced, stored
 in a retrieval system, or transmitted in any form or
 by any means, electronic, mechanical, photocopying,
 recording, or by any information storage and retrieval
 system, except for reproduction by vendors of Atari incor-
 porated and for manufacture under the corporation's writ-
 ten license. No right to reproduce this drawing is granted or
 the subject matter thereof unless by written agreement
 with or written permission from the corporation.



PCOM/ ROM/ DASH VERSION	007513-01	007514-01	007515-01	007516-01	007517-01	007518-01	007519-01	007520-02	007521-02	007522-02	007523-02	007524-02	007525-02	007526-02	007527-02	007528-02	007529-02	007530-02	007531-02
-01	N7	N9	J5	P1	R1	R10	B5		H2	F1	F2	F1	F2	P1	P2	P3	P4	P5	P6
-02	N7	N9	J5	P1	R1	R10	B5		H2	F1	F2	F1	F2	P1	P2	P3	P4	P5	P6

Figure 8 Starship 1 Game PCB Assembly
 A006694-01 & 02 C

Figure 8 Starship 1 Game PCB Assembly
A006694-01 Only
Parts List



Item	Part Number	Qty.	Description
1	006695-01	1	P.C. Board
2	10-5151	1	Res. Car. Comp. $\frac{1}{4}$ W, 5%, 150 OHM R80
3	10-5221	3	" " " " " " 220 " R49,56,173
4	10-5331	7	" " " " " " 330 " R47,48,51,52,90,93,94
5	10-5471	9	" " " " " " 470 " R77-79,120,154-158
6	10-5181	1	" " " " " " 180 " R92
7	10-5621	2	" " " " " " 620 " R88,122
8	10-5681	1	" " " " " " 680 " R53
9	10-5751	1	" " " " " " 750 " R62
10	10-5102	59	" " " " " " 1K " R2-25,36-46,50,57-59 67,84,85, 99,100,102 103,117,123,124,126, 161,163,166,167-172
11			
12	10-5152	1	" " " " " " 1.5K " R152
13	10-5162	2	" " " " " " 1.6K " R89,125
14	10-5202	1	" " " " " " 2K " R119
15	10-5222	3	" " " " " " 2.2K " R91,101,159
16	10-5302	6	" " " " " " 3K " R106,109,110,113-115
17	10-5332	2	" " " " " " 3.3K " R65,68
18	10-5472	3	" " " " " " 4.7K " R87,121, 150

A Warner Communications Company



PARTS LIST SPECIFICATION				Page 2 of 7
Item	Part Number	Qty.	Description	
19	10-5562	4	Res, Car. Comp. 1/4 W 5%, 5.6K OHM R109,107,111,116	
20	10-5622	2	" " " " 6.2K " R86,105	
21	10-5682	3	" " " " 6.8K " R71,137,60	
22	10-5103	18	" " " " 10K " R28-35,61,64,70, R2,96,140,144,151	
23	10-5153	2	" " " " 15K " R108,112	
24	10-5223	2	" " " " 22K " R55,63	
25	10-5333	1	" " " " 33K " R66	
26	10-5473	6	" " " " 47K " R54,72,75,118,143, 147	
27	10-5753	2	" " " " 75K " R141,145	
28	10-5104	5	" " " " 100K " R74,95, 130,131, 160	
29	10-5224	3	" " " " 220K " R97,98,142	
30	10-5334	2	" " " " 330K " R69,146	
31	10-5105	1	Res, Car. Comp. 1/4 W 5% 1M OHM R1,	
32	14-1472	1	" " Film " 1% 4.75K OHM R136	
33	14-1392	1	" " " " 3.92K " R135	
34	14-1122	1	" " " " 1.21K " R138	
35	14-1132	1	" " " " 1.33K " R132	
36	19-8D9W2P0	1	Res, Wirewound 2 OHM, 20 W R153	
37				
38	19-315502	3	Trimpot, 5K OHM R76,81, 134	
39	19-315503	1	" " 50K OHM R83	
40	19-315254	2	" " 250K OHM R139,149	
41	21-101473	1	Cap, Mylar, .047µf 100V C68	
42	21-101153	1	Cap, Mylar, .015µf 100V C47	
43	21-101104	3	Cap, Mylar, .1 µf 100V C34,45,46	
44	21-101474	1	Cap, Mylar, .47µf 100V C6	

PARTS LIST SPECIFICATION				Page 3 of 7
Item	Part Number	Qty.	Description	
45	24-250105	1	Cap, Elect 1µf 25V C51	
46	24-250225	1	" " 2.2µf 25V C36	
47	24-250126	3	" " 10µf 25V C37,62, 75	
48	24-250227	1	" " 220µf 25V C24	
49	24-250477	1	Cap, Elect 470µf 25V C80	
50	24-250226	1	" " 22µf " C81	
51	24-250108	1	" " 1000µf " C83	
52	27-250103	6	Cap, Cer Disc .01µf 25V C53,54,56,61,72,86	
53	27-250104	52	" " " 0.1µf 25V C1-5,8-19,22,23,27-33,35,38-44,48-50, 52,57,58,63,65,67, 70,73,78,84,87,89, 90,91,92 C59,82	
54	27-250224	2	Cap, Cer Disc .22µf 25V C85	
55	27-250102	1	" " .001µf " C20	
56	28-101100	1	Cap, Dipped Mica 100pf 100V C7	
57	28-101150	1	" " 15pf 100V C77	
58	28-101220	1	" " 22pf 100V C25,26,71	
59	28-101101	3	" " 100pf 100V C21	
60	28-101471	1	" " 470pf 100V C76	
61	28-101102	1	" " 1000pf 100V C88	
62	28-101221	1	" " 220pf 100V C69	
63	29-010	1	Cap, Tantalum 2.2µf 10V C55	
64	29-063	1	Cap, Polycarbon, .047µf,50V,1% C79	
65	24-250228	1	Cap, Elect 2200µf,25V CRL-9,16	
66	31-1N914	10	Diode, 1N914 CRL2-15	
67	31-1N4001	4	Diode, 1N4001 Q1-3	
68				
69	33-2N3644	3	Transistor, 2N3644 Q4,7,9	
70	34-2N3643	3	Transistor, 2N3643	

Figure 8 Starship 1 Game PCB Assembly
A006694 - 01 Only
Parts List



PARTS LIST SPECIFICATION

Page 4 of 7

Item	Part Number	Qty.	Description
71	34-245190	1	Transistor, 2N5190 Q8
72			
73	37-7400	3	I.C., 7400 C6, K10, P10
74	37-7402	2	I.C., 7402 M10, N10
75	37-7404	6	7404 C7, D7, F9, J9, L9, J1, K1, J10
76	37-7406	1	7406 J10
77	37-7408	10	7408 A2, B2, C2, B4, R5, E7, H7, B9, A10, L10
78	37-7410	1	7410 K3
79	37-7413	1	7413 F10
80	37-7420	1	7420 P5
81	37-7427	1	7427 B6
82	37-7430	1	7430 C5
83	37-7442	1	7442 J2
84	37-7474	6	7474 A6, F7, R7, F8, F9, K9
85	37-74S83	2	74S83 M5, N5
86	37-74S85	2	74S85 M6, N6
87	37-74S86	8	74S86 N1, D4, L6, P6, D9, R11, B7, K7, R6
88	37-74107	1	74107 R2, E6, F6, H6, J6
89	37-74S153	5	74S153 H4, X8, M8, N8
90	37-74S157	4	74S157 P4, R4, F5, H8, J8, L8, P8
91	37-74S161	7	74S161 P8
92	37-74S164	4	74S164 C5, E5, B9, C9
93	37-74S174	6	74S174 K/L1, K2, L2, P2, J7, E8
94	37-74S175	2	74S175 J3, M9
95	37-74S193	3	74S193 M1, N2, H10
96	37-74S195	2	74S195 H5, P7
97	37-74298	2	74298 K5, L5

PARTS LIST SPECIFICATION

Page 5 of 7

Item	Part Number	Qty.	Description
98	37-555	1	I.C. 555 B10
99	37-556	1	556 C10
100	37-566	1	566 A9
101	37-1408	1	1408 M2
102	37-1495	2	1495 F11, J11
103	37-75107	1	75107 E11
104	37-9314	2	9314 L1, D6
105	37-9321	2	9321 J1, C4
106	37-9334	2	9334 C8, P9
107	37-9602	1	9602 A5
108	37-4001	1	4001 A1
109	37-8728	2	8728 E4, F4
110	37-1M319	1	1M319 L11
111	37-TDA1004	1	OP.AMP. TDA1004 B11
112	37-14051	2	I.C. 14051 A8, N11
113	37-4136	2	4136 E10, H12
114	37- MC3340P	1	MC3340P D11
115	37-LM323	1	Regulator LM323
116	37-7812	1	Regulator +12V 7812 Q6
117	37-7912	1	Regulator -12V 7912 Q5
118	37-7475	1	I.C. 7475 D8
119			
120	90-6010	1	I.C. C3
121	90-7005	5	RAM, 82525 J4, K4, L4, M4, N4
122	90-7022	5	RAM, 82517 L3, M3, N3, P3, R3
123	90-7018	2	RAM, 2101A-2 M7, L7
124	90-7019	2	RAM, 2111A-4 B1, C1
125	78-06001	1	HEATSINK, LM323

Figure 8 Starship 1 Game PCB Assembly
A006694-01 Only
Parts List



PARTS LIST SPECIFICATION			Page 6 of 7
Item	Part Number	Qty.	Description
126	66-114P1T	2	DIP switch, 4PST (SW1) (SW2) K6,B8
127	90-102	1	Crystal, 12.096 MHz Y1
128	79-42040	1	Socket, 40 Pin C3
129	78-06C22	1	Heatsink, TDA1004
130	78-16005	1	Slipad
131	72-1608C	2	Screw, Mach., Pan Hd, Phil #6-32 x 1/2 Cres
132	75-016S	2	Washer, Flat #6
133	75-056	2	Washer, Lock, Int Star #6
134	75-916C	2	Nut, Hex, #6-32 Cres
135	78-13016	N/R	Cement, TDA1004 Heatsink
136	007513-01	1	PRGM, Alpha-Numerics N7
137	007514-01	1	" Sync N9
138	007515-01	1	" Object J5
139	007516-01	1	" Spaceship Z2 P1
140	007517-01	1	" Spaceship Z1 R1
141	007518-01	1	" Video Output R10
142	007519-01	1	" Address B5
143			
144			
145			
146	007520-02	1	PRGM, Program 3000-0 H1
147	007521-02	1	" 3000-1 H2
148	007522-02	1	" 3400-0 F1
149	007523-02	1	" 3400-1 F2
150	007524-02	1	" 3800-0 E/F1
151	007525-02	1	" 3800-1 E/F2
152	007526-02	1	" 3C00-0 D/E1
153	007527-02	1	" 3C00-1 D/E2
154	007528-02	1	" 2C00-0 C/D1
155	007529-02	1	" 2C00-1 C/D2

PARTS LIST SPECIFICATION			Page 7 of 7
Item	Part Number	Qty.	Description
156	10-5272	1	Res, Carbon, 1/2, 5%, 2.7K Ohm R165
157			
158	14-1102	1	Res, Film, 1/4W, 1%, 1.00K Ohm R162
159	14-1162	1	" " " 1.69K Ohm R164

Figure 8 Starship 1 Game PCB Assembly
A006694 - 01 Only
Parts List



Item	Part Number	Qty.	Description
1	006695-01	1	P.C. Board
2	10-5151	1	Res. Car. Comp. 1/2 W. 5%, 150 OHM R80
3	10-5221	3	" " " " " " " " R20 " R49,56,173
4	10-5331	7	" " " " " " " " 330 " R47,48,51,52,90,93,94
5	10-5471	9	" " " " " " " " 470 " R77-79,120,154-158
6	10-5191	1	" " " " " " " " 100 " 499
7	10-5621	2	" " " " " " " " 620 " R88,122
8	10-5681	1	" " " " " " " " 680 " R53
9	10-5751	1	" " " " " " " " 750 " R62
10	10-5102	59	" " " " " " " " 1K " R2-25,36-46,50,57-59,67,84,85, 99,100,102,103,117,123,124,126,161,163,166,167-172
11			
12	10-5152	1	" " " " " " " " 1.5K " R152
13	10-5162	2	" " " " " " " " 1.6K " R89,125
14	10-5202	1	" " " " " " " " 2K " R119
15	10-5222	3	" " " " " " " " 2.2K " R91,101,159
16	10-5302	6	" " " " " " " " 3K " R106,109,110,113-115
17	10-5332	2	" " " " " " " " 3.3K " R65,68
18	10-5472	3	" " " " " " " " 4.7K " R87,121,150

10 A Warner Communications Company

PARTS LIST SPECIFICATION

Item	Part Number	Qty.	Description
19	10-5562	4	Res. Car. Comp. 1/2 W 5%, 5.6K OHM R104,107,111,116
20	10-5622	2	" " " " " " " " 6.2K " R86,105
21	10-5682	3	" " " " " " " " 6.8K " R71,137,60
22	10-5103	18	" " " " " " " " 10K " R26-35,61,64,70,82,96,140,144,151
23	10-5153	2	" " " " " " " " 15K " R108,112
24	10-5223	2	" " " " " " " " 22K " R55,63
25	10-5333	1	" " " " " " " " 33K " R66
26	10-5473	6	" " " " " " " " 47K " R54,72,75,118,143,147
27	10-5753	2	" " " " " " " " 75K " R141,145
28	10-5104	5	" " " " " " " " 100K " R24,95, 130,131,160
29	10-5224	3	" " " " " " " " 220K " R97,98,142
30	10-5334	2	" " " " " " " " 330K " R69,146
31	10-5105	1	Res. Car. Comp. 1/2 W 5% 1M OHM R1
32	14-1472	1	" " " " " " " " 1K 4.75K OHM R136
33	14-1392	1	" " " " " " " " 3.92K " R135
34	14-1132	1	" " " " " " " " 1.21K " R138
35	14-1132	1	" " " " " " " " 1.33K " R132
36	19-8D9W2P0	1	Res. Wirewound 2 OHM, 20 W R153
37			
38	19-315502	3	Trimpot, 5K OHM R76,81, 134
39	19-315503	1	" " 50K OHM R83
40	19-315254	2	" " 250K OHM R139,149
41	21-101473	1	Cap, Mylar, .047µf 100V C68
42	21-101153	1	Cap, Mylar, .015µf 100V C47
43	21-101104	3	Cap, Mylar, .1 µf 100V C34,45,46
44	21-101474	1	Cap, Mylar, .47µf 100V C6

Figure 8 Starship 1 Game PCB Assembly
A006694 - 02 Only
Parts List



PARTS LIST SPECIFICATION

Item	Part Number	Qty.	Description
45	24-250105	1	Cap, Elect 1µf 25V C51
46	24-250225	1	" " 2.2µf 25V C36
47	24-250106	3	" " 10µf 25V C37,62, 75
48	24-250227	1	" " 220µf 25V C24,
49	24-250477	1	Cap, Elect 470µf 25V C80
50	24-250226	1	" " 22µf " C81
51	24-250108	1	" " 1000µf " C83
52	27-250103	6	Cap, Cer Disc .01µf 25V C53,54,56,61,72,86
53	27-250104	52	" " 0.1µf 25V C1-5,8-19,22,23,27-33,35,38-44,48-50,52,57,58,63,65,67,70,73,78,84,87,89,90,91,92 C59
54	27-250224	1	Cap, Cer Disc .22µf 25V C85
55	27-250102	1	" " .001µf " C85
56	28-101100	1	Cap, Dipped Mica 10pf 100V C20
57	28-101150	1	" " 15pf 100V C7
58	28-101220	1	" " 22pf 100V C77
59	28-101101	3	" " 100pf 100V C25,26,71
60	28-101471	1	" " 470pf 100V C21
61	28-101102	1	" " 1000pf 100V C76
62	28-101221	1	" " 220pf 100V C88
63	29-010	1	Cap, Tantalum 2.2µf 10V C69
64	29-063	1	Cap, Polycarbon, .047µf,50V,1% C55
65	24-250228	1	Cap, Elect, 220µf, 25V C79
66	31-1N914	10	Diode, 1N914 CRI-9,16
67	31-1N4001	4	Diode, 1N4001 CRI2-15
68	33-2N3644	3	Transistor, 2N3644 Q1-3
69	34-2N3643	3	Transistor, 2N3643 Q4,7,9

PARTS LIST SPECIFICATION

Item	Part Number	Qty.	Description
71	34-2N5190	1	Transistor, 2N5190 Q8
72			
73	37-7400	3	I.C. 7400 C6,K10,P10
74	37-7402	2	I.C. 7402 M10,N10
75	37-7404	6	" 7404 C7,D7,F9,J9,L9,J/K1
76	37-7406	1	" 7406 J10
77	37-7408	10	" 7408 A2,B2,C2,B4,R5,E7,H7,H9,A10,L10
78	37-7410	1	" 7410 K3
79	37-7413	1	" 7413 P10
80	37-7420	1	" 7420 P5
81	37-7427	1	" 7427 B6
82	37-7430	1	" 7430 C5
83	37-7442	1	" 7442 J2
84	37-7474	6	" 7474 A6,E7,R7,F8,R8,K9
85	37-74S83	2	" 74S83 M5,N5
86	37-74S85	2	" 74S85 M6,N6
87	37-74S86	8	" 74S86 N1,D4,L6,P6,D9,R11 B7,K7
88	37-74107	1	" 74107 P6
89	37-74S153	5	" 74S153 R2,B6,F6,H6,J6
90	37-74LS157	4	" 74LS157 H4,K8,M8,N8
91	37-74LS161	7	" 74LS161 P4,R4,F5,H8,J8,L8,P8
92	37-74LS164	4	" 74LS164 D5,E5,B9,C9
93	37-74LS174	6	" 74LS174 K/L1,K2,L2,P2,J7,E8
94	37-74LS175	2	" 74LS175 J3,M9
95	37-74LS193	3	" 74LS193 M1,N2,H10
96	37-74LS195	2	" 74LS195 H5,P7
97	37-74298	2	" 74298 K5,L5

Figure 8 Starship 1 Game PCB Assembly
A006694 - 02 Only
Parts List



PARTS LIST SPECIFICATION

Item	Part Number	Qty.	Description
98	37-555	1	I.C. 555 B10
99	37-556	1	556 C10
100	37-566	1	566 A9
101	37-1408	1	" 1408 M2
102	37-1495	2	" 1495 P11,J11
103	37-75107	1	" 75107 E11
104	37-9314	2	" 9314 J1,D6
105	37-9321	2	" 9321 J1,C4
106	37-9334	2	" 9334 C8,P9
107	37-9602	1	" 9602 A5
108	37-4001	1	" 4001 A1
109	37-8728	2	" 8728 E4,F4
110	37-1M319	1	" 1M319 I11
111	37-TDA1004	1	OP. AMP TDA1004 B11
112	37-14051	2	I.C. 14051 A8,N11
113	37-4136	2	" 4136 E10,H12
114	37-MC3840P	1	" MC3840P D11
115	37-LM323	1	Regulator LM323
116	37-7812	1	Regulator +12V 7812 Q6
117	37-7912	1	Regulator -12V 7912 Q5
118	37-7475	1	I.C. 7475 D8
119			
120	50-6010	1	I.C. C3
121	50-7005	5	RAM, 82S25 J4,K4,L4,M4,N4
122	50-7022	5	RAM, 82S17 L3,M3,N3,P3,R3
123	50-7018	2	RAM, 2101A-2 M7,I7
124	50-7019	2	RAM, 2111A-4 B1,C1
125	78-06001	1	HEATSINK, LM323

Warner Communications Company

PARTS LIST SPECIFICATION

Item	Part Number	Qty.	Description
126	66-114P17	2	Dipswitch, 4PST (SW1) (SW 2) K6, B8
127	90-102	1	Crystal, 12.096 MHZ Y1
128	79-42040	1	Socket, 40 Pin C3
129	78-06022	1	Heatsink, TDA1004
130	78-16005	1	Silipad
131	72-1608C	2	Screw, Mach., Pan Hd. Phil #6-32 x 1/2 Cres
132	75-016S	2	Washer, Flat #6
133	75-056	2	Washer, Lock, Int Star #6
134	75-916C	2	Nut, Hex, #6-32 Cres
135	78-13016	N/R	Cement, TDA1004 Heatsink
136	007513-01	1	PRGM, Alpha-Numerics N7
137	007514-01	1	" Sync N9
138	007515-01	1	" Object J5
139	007516-01	1	" Spaceship Z2 P1
140	007517-01	1	" Spaceship Z1 R1
141	007518-01	1	" Video Output R10
142	007519-01	1	" Address B5
143			
144	007530-02	1	Program ROM 3000 H3
145	007531-02	1	Program ROM 3800 E3
146	007528-02	1	PRGM, Program 2C00-0 C/D1
147	007529-02	1	PRGM, Program 2C00-1 C/D2
148	10-5272	1	Res, Carbon, 1/4W, 5%, 2.7K Ohm R165
149			
150	14-1102	1	Res, Film, 1/4W, 1%, 1.00K Ohm R162
151	14-1162	1	" " " 1.69K Ohm R164

Figure 8 Starship 1 Game PCB Assembly
A006694 - 02 Only
Parts List

NOTICE TO ALL PERSONS RECEIVING THIS DRAWING
 CONFIDENTIAL. Reproduction forbidden without the
 specific written permission of Aian, Inc., Sunnyvale,
 California. This drawing is only conditionally issued, and
 neither receipt nor possession thereof confers or transfers
 any right in, or license to use, the subject matter of the
 drawing, or any design or technical information shown
 thereon, nor any right to reproduce this drawing or any part
 thereof, except for manufacture under the corporation's writ-
 ten license and for manufacture by vendors of Aian incor-
 porated and for manufacture under the corporation's writ-
 ten license; no right to reproduce this drawing is granted or
 implied in this drawing, and no right to reproduce or
 subject matter hereof unless by written agreement
 with or written permission from the corporation.

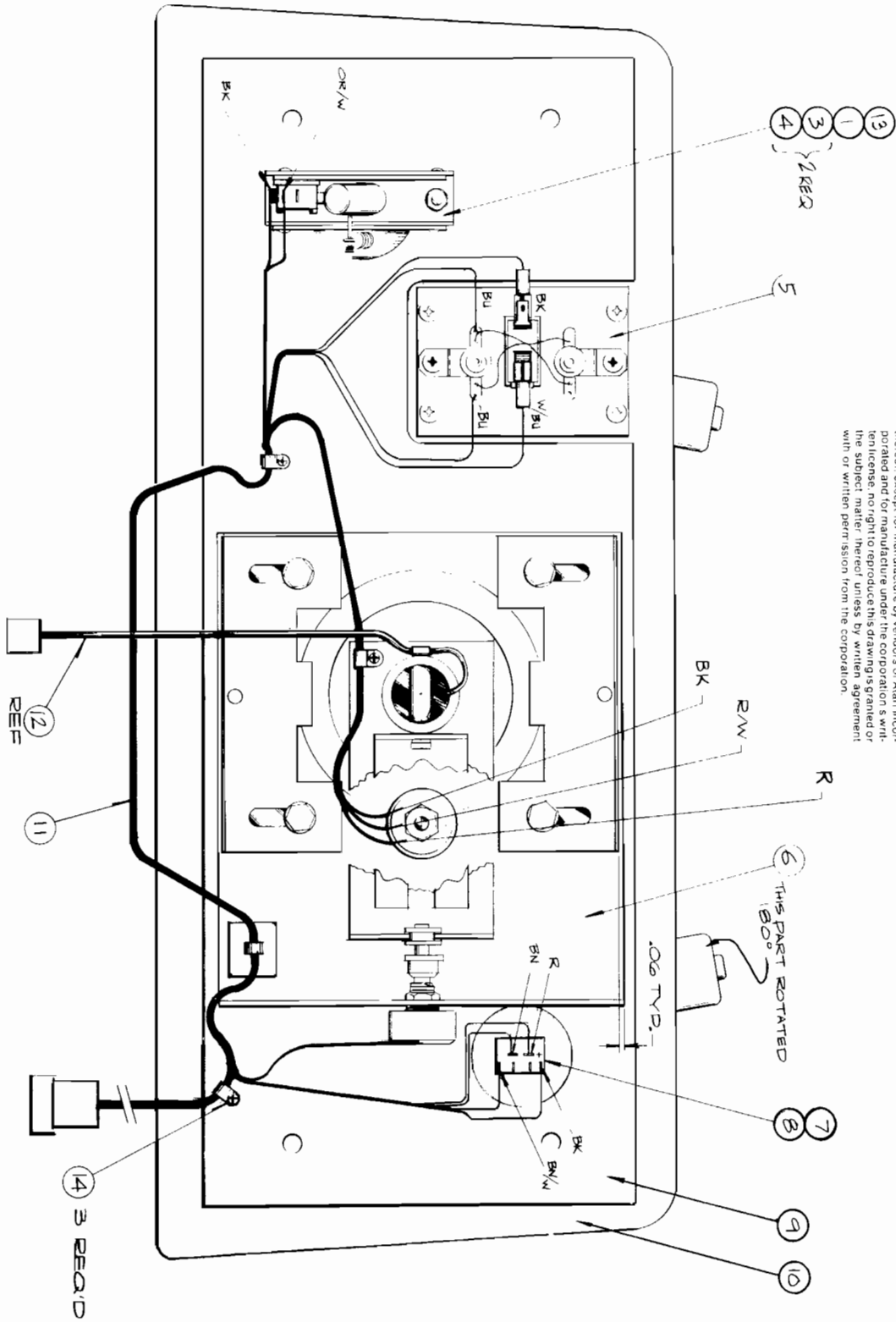
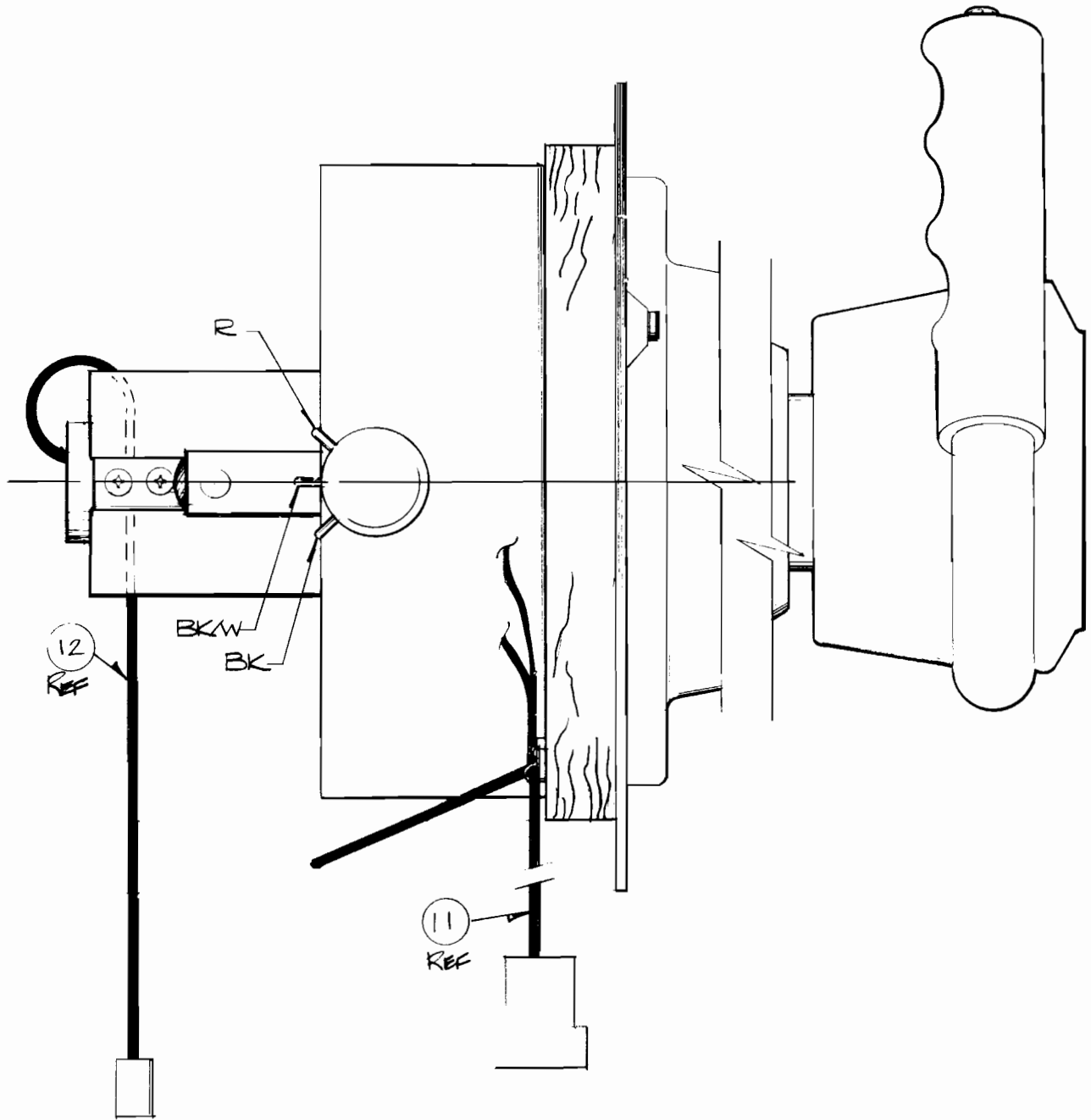


Figure 9 Control Panel Assembly
 A006673-01 C



NOTICE TO ALL PERSONS RECEIVING THIS DRAWING
 CONFIDENTIAL: Reproduction forbidden without the
 specific written permission of Atari, Inc., Sunnyvale,
 California. This drawing is only conditionally issued and
 neither receipt nor possession thereof confers or transfers
 any right in, or license to use, the subject matter of the
 drawing or any design or technical information shown
 thereon, nor any right to reproduce this drawing or any part
 thereof, except for manufacture by vendors of Atari Incor-
 porated and for manufacture under the corporation's writ-
 ten license, no right to reproduce this drawing is granted or
 the subject matter thereof unless by written agreement
 with or written permission from the corporation.

Figure 9 Control Panel Assembly
 A006673-01C



Figure 9 Control Panel Assembly
Parts List

Item	Part Number	Qty.	Description
1	A007378-01	1	Thrust Control Assembly - See Figure 10
2			
3	75-941S	2	#10-24 Nut, Hex, Self-Locking, Polymer
4	75-5116N	2	Bolt, Carriage, #10-24 x 1.00 Lg.
5	A007357-01	1	Start Button Assembly
6	A005347-01	1	Flight Control Assy - See Figure 11
7	001856-01	1	Bushing, Alum.
8	62-002	1	LED Switch
9	006655-01	1	Board, Control Panel Back-Up
10	006668-01	1	Control Panel W/Graphics
11	A006913-01	1	Control Panel Harness
12	A007257-01	Ref	Harness, Firing Switch
13	006678-01	1	Slider
14	72-6810	3	#8 x 5/8 S.M. Screw

NOTICE TO ALL PERSONS RECEIVING THIS DRAWING
 CONFIDENTIAL: Reproduction forbidden without the
 specific written permission of Atari, Inc., Sunnyvale,
 California. This drawing is only conditionally issued, and
 neither receipt nor possession thereof confers or transfers
 any right in, or license to use, the subject matter of the
 drawing or any design or technical information shown
 thereon, nor any right to reproduce this drawing or any part
 thereof, except for manufacture by vendors of Atari Incorporated and for manufacture under the corporation's written license. No right to reproduce this drawing is granted or
 the subject matter thereof unless by written agreement
 with or written permission from the corporation.

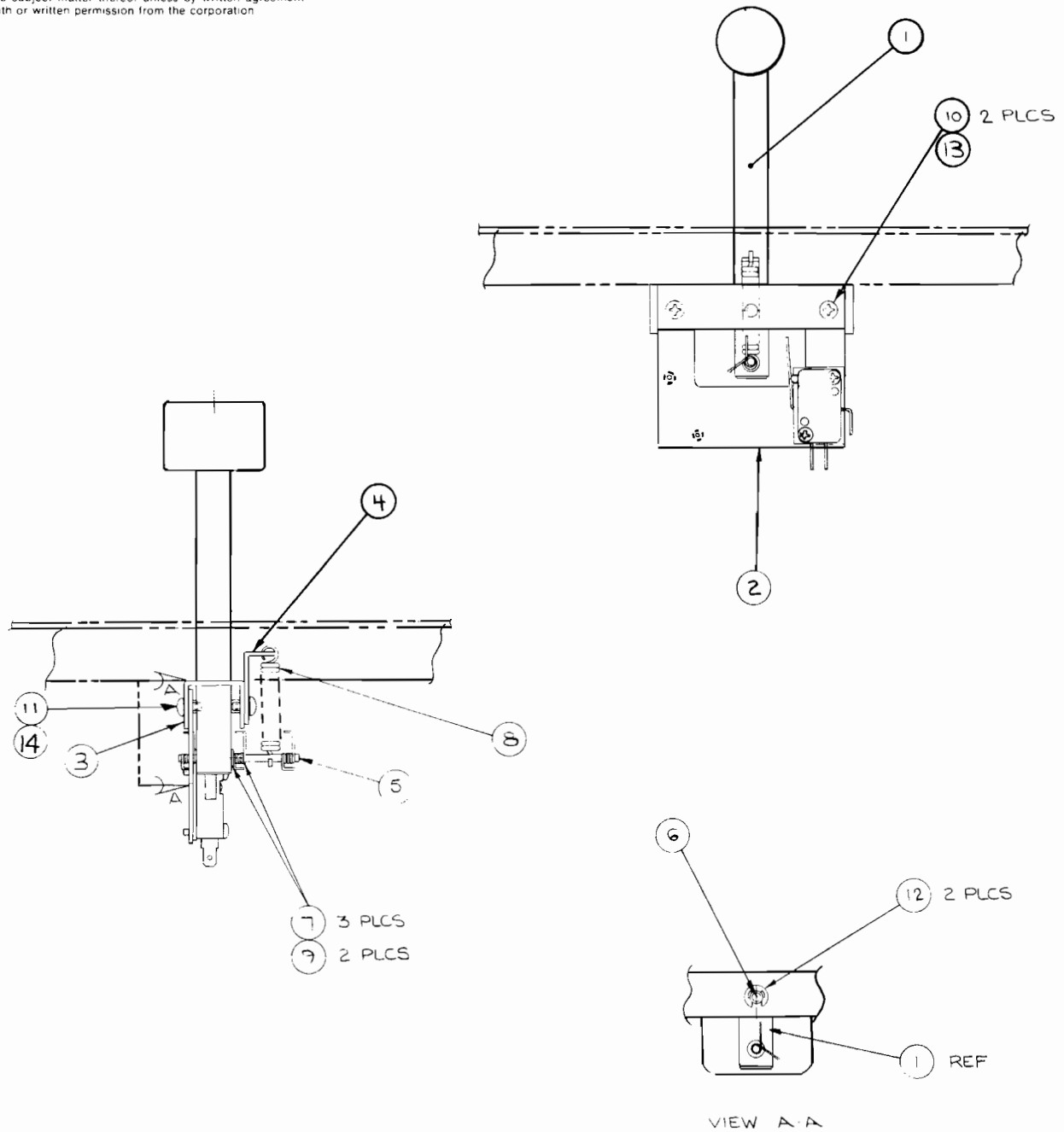



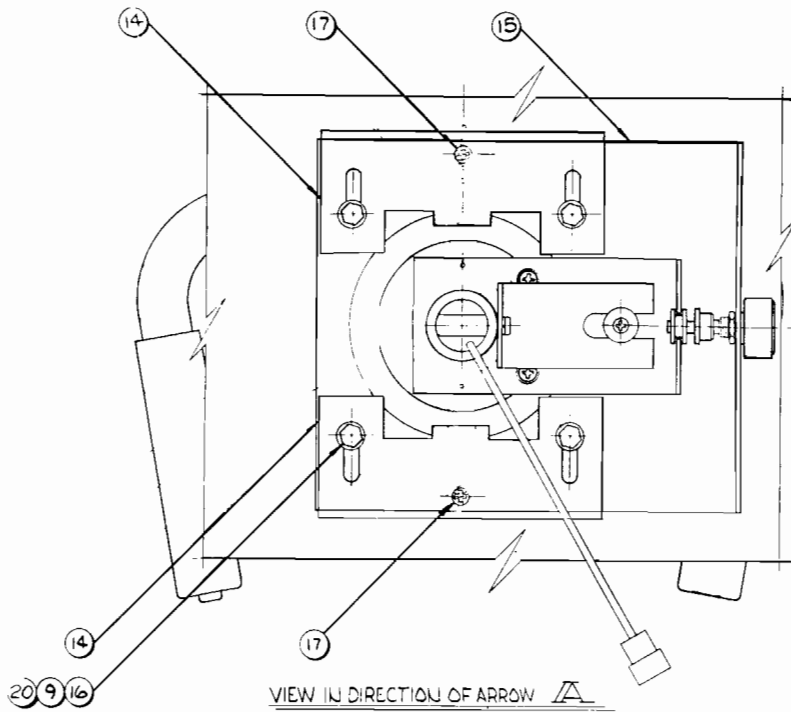
Figure 10 Thrust Control Assembly
 A007378-01D

Figure 10 Thrust Control Assembly
Parts List



Item	Part Number	Qty.	Description
1	A007367-01	1	Shaft Assembly
2	A007534-01	1	Switch/Bracket Assembly
3	A009272-01	1	Bearing and Brkt. Assy
4	007370-01	1	Spring Bracket
5	007372-01	1	Spring Pin
6	007373-01	1	Shaft
7	007535-01	3	Retainer, Compression
8	78-3001029	1	Spring (LE-045D-2)
9	75-014S	2	Washer, Flat, Plain, #4
10	75-2604S	2	Mach Scr, 6-32 x 1/4 Lg. Rd Hd Phil.
11	75-2804S	2	Mach Scr, 8-32 x 1/4 Lg. Rd Hd Phil.
12	73-3002	2	Retaining Ring, Plain Pic #Z3-2
13	75-046	2	Washer, Split-Lock #6
14	75-048	2	Washer, Split-Lock #8

 A Warner Communications Company



NOTICE TO ALL PERSONS RECEIVING THIS DRAWING
 CONFIDENTIAL. Reproduction forbidden without the
 specific written permission of Atari, Inc., Sunnyvale,
 California. This drawing is only conditionally issued, and
 neither receipt nor possession thereof confers or transfers
 any right in, or license to use, the subject matter of the
 drawing or any design or technical information shown
 thereon, nor any right to reproduce this drawing or any part
 thereof, except for manufacture by vendors of Atari Incor-
 porated and for manufacture under the corporation's writ-
 ten license, no right to reproduce this drawing is granted or
 the subject matter thereof unless by written agreement
 with or written permission from the corporation.

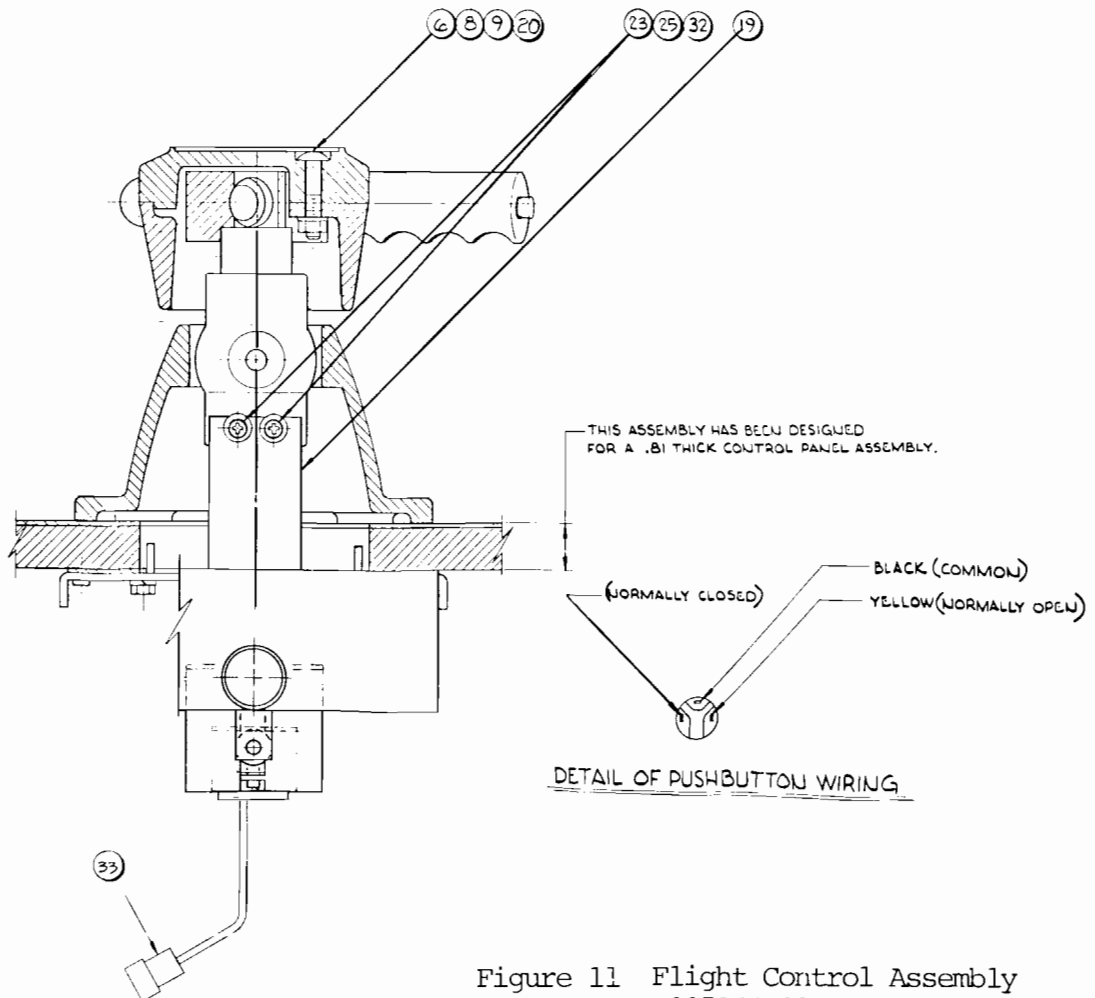


Figure 11 Flight Control Assembly
 A005347-01C

NOTICE TO ALL PERSONS RECEIVING THIS DRAWING
 CONFIDENTIAL: Reproduction forbidden without the
 specific written permission of Atari, Inc., Sunnyvale,
 California. This drawing is only conditionally issued, and
 neither receipt nor possession thereof confers or transfers
 any right in, or license to use, the subject matter of the
 drawing or any design or technical information shown
 thereon, nor any right to reproduce this drawing or any part
 thereof, except for manufacture by vendors of Atari Incor-
 porated and for manufacture under the corporation's writ-
 ten license; no right to reproduce this drawing is granted or
 the subject matter thereof unless by written agreement
 with or written permission from the corporation.

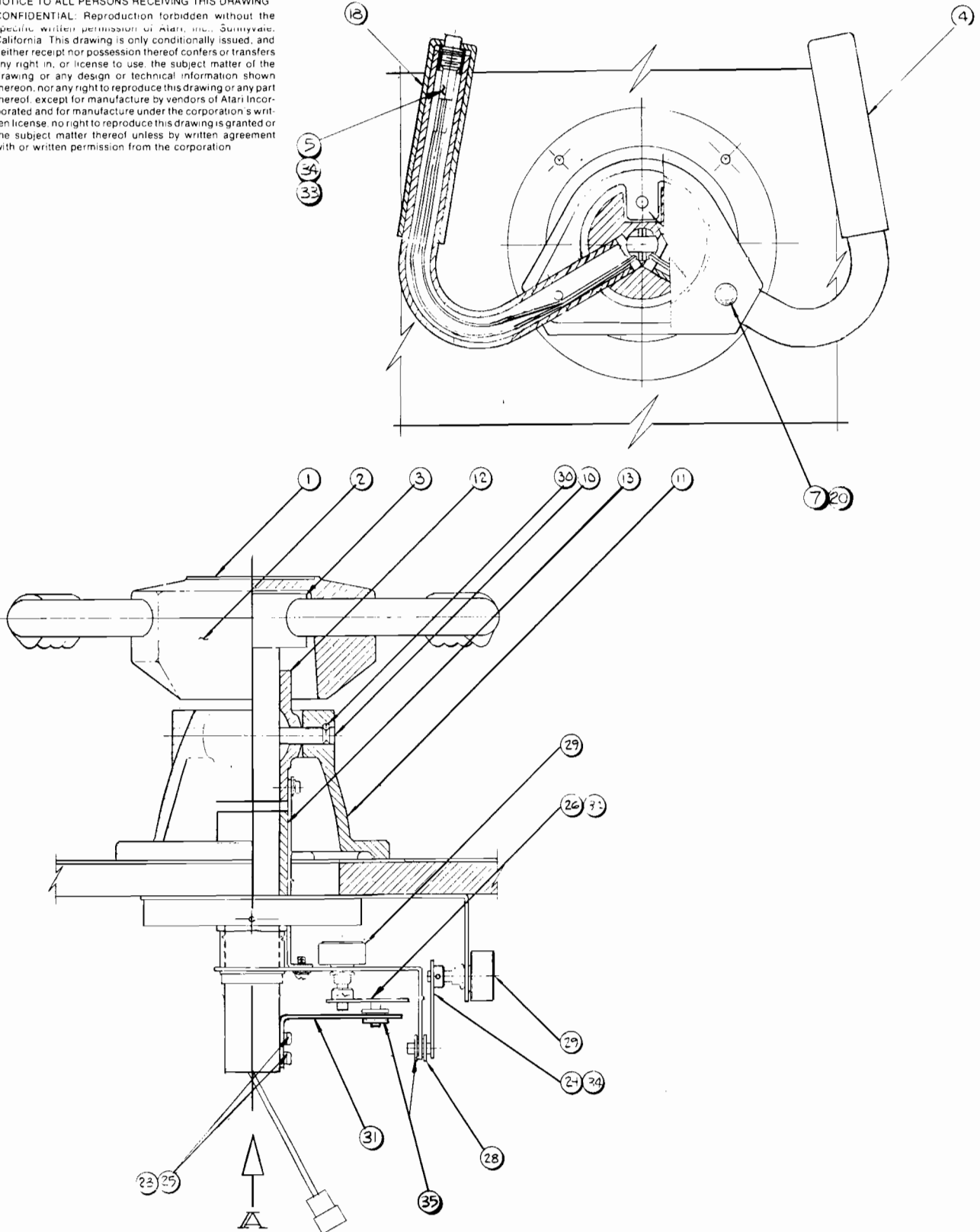


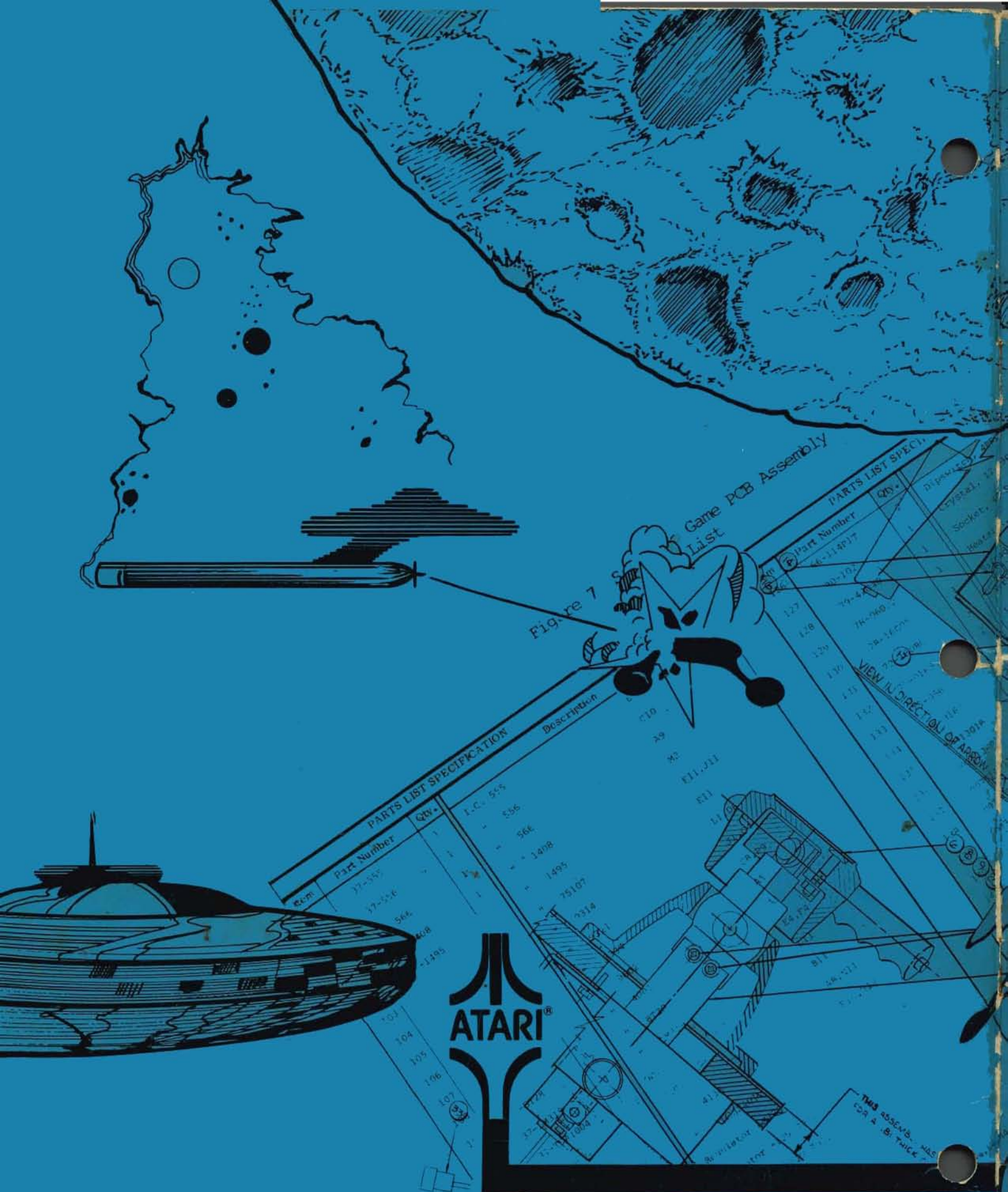
Figure 11 Flight Control Assembly
 A005347-01C



Figure 11 Flight Control Assembly
Parts List

Item	Part Number	Qty.	Description
1	004189	1	Cap-Flight Control
2	004190	1	Base-Flight Control
3	004194	1	Weldment-Flight Control
4	78-40201	1	Handle Grip
5	62-003	1	Switch, Pushbutton
6	75-5523B	1	Bolt Carriage $\frac{1}{4}$ -20 x 1 $\frac{3}{4}$ " lg
7	75-5532B	2	Bolt Carriage $\frac{1}{4}$ -20 x 2" lg
8	75-915S	3	Nut, Hex ($\frac{1}{4}$ -20)
9	75-045	7	Washer, Lock ($\frac{1}{4}$)
10	005310	1	Retaining Pin
11	005308	1	Pot Mount Machined
12	A008997-01	1	Spherical Ball and Bushing Assembly
13	005312	1	Rubber Stop
14	005313	2	Bracket, Bumper
15	005334	1	Plate, Backing
16	72-5524N	4	Bolt, Hex Hd. ($\frac{1}{4}$ -20 x 1 $\frac{1}{2}$ Lg.)
17	72-6812	2	Screw, Sm., Pan Hd. (#8 x $\frac{3}{4}$ " Lg.)
18	004202-02	1	Handle Grip
19	005315	1	Bracket, Center Post
20	75-014s	7	Washer, Flat # $\frac{1}{4}$
21			
22			
23	72-1806S	4	Screw Pan Hd. (8-32 x $\frac{3}{8}$ Lg)
24	A009525-01	1	Linkage Asm
25	75-048	5	Washer, Lock (#8)
26	A009526-01	1	Hub Mount Asm
27			
28	005333	2	Hub
29	19-026	2	Special Potentiometer
30	73-20812	1	Pin, Roll (1/8 Dia x $\frac{3}{4}$ Lg.)
31	005314	1	Bracket, Pot Linkage
32	75-028S	2	Washer, Flat (#8)
33	A007257-01	1	Firing Switch Harness
34	75-4603	3	Screw, Set (#6 x $\frac{3}{16}$ Lg)
35	73-3001	2	Retaining "E" Ring ($\frac{1}{4}$ " Shaft)





ATARI INC 1265 BORREGAS AVENUE P.O. BOX 9027 SUNNYVALE, CA 94086

A Warner Communications Company