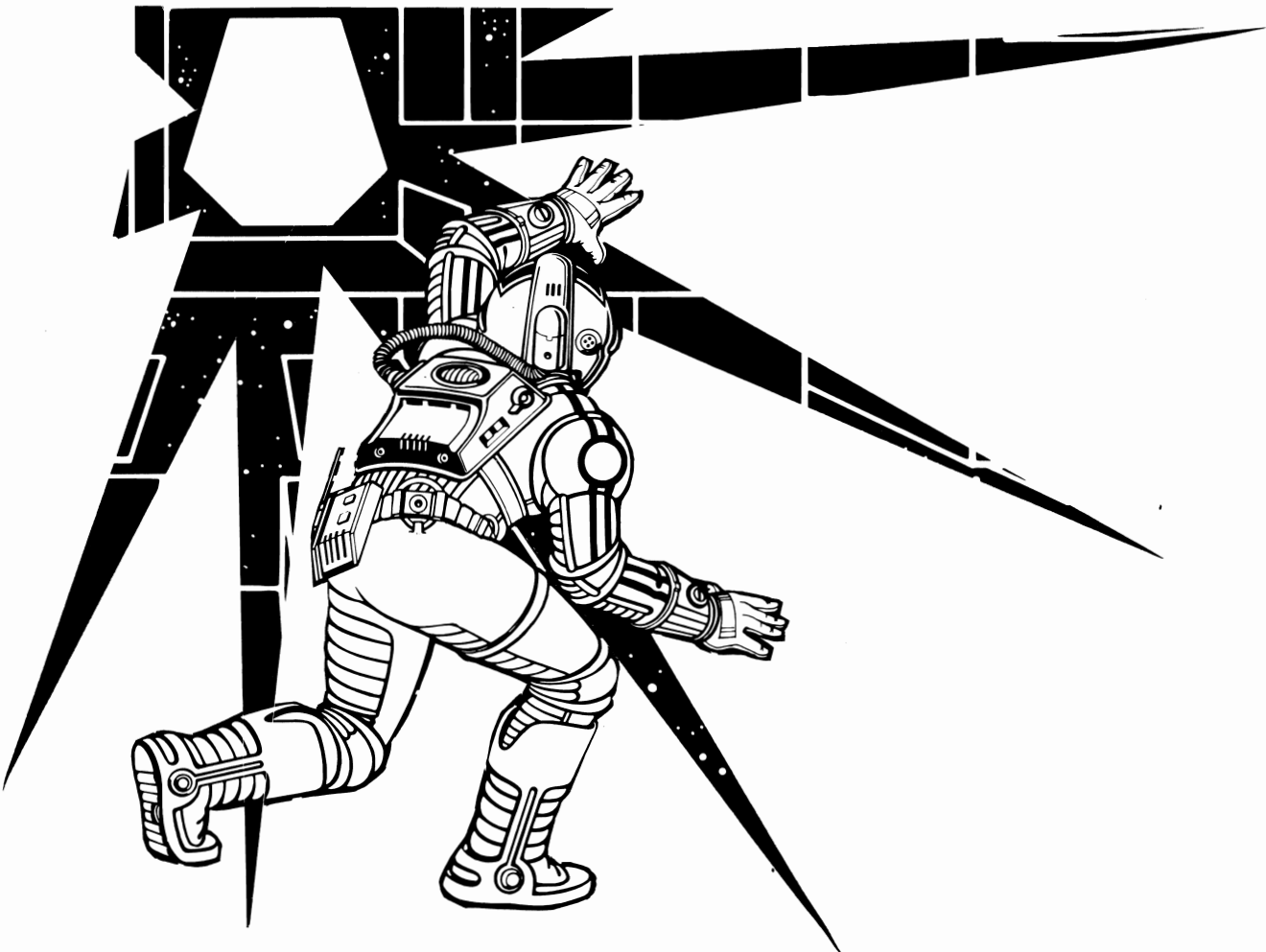
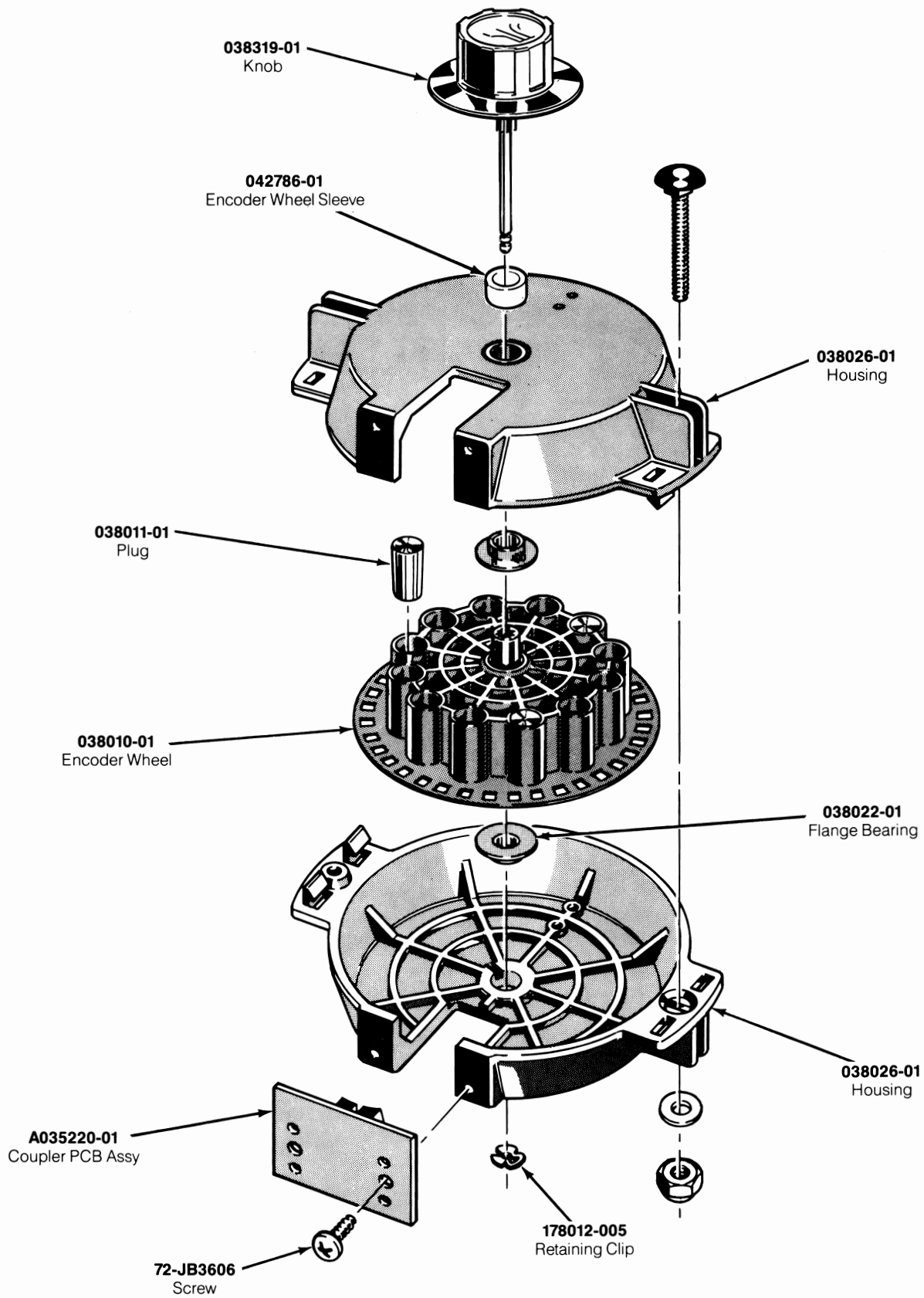


Supplement to
The Adventures of
MAJOR HAVOC™
Supplement CO-252-05
Encoder Wheel Documentation



The following changes affect the Encoder Wheel Assembly Parts List and illustrations contained in the above Supplement to TM-268.

- Page 3.** Add the following part to the Encoder Wheel Assembly Parts List:
 - 042786-01 Encoder Wheel Sleeve
- Pages 2 and 5.** Replace Figure 1–Encoder Wheel Assembly and Figure 2– Disassembling the Encoder Wheel with the illustrations included in this Supplement.



**Figure 1 Encoder Wheel Assembly
A038023-01 B**

WARNING
Players may receive an electrical shock if the control panel is not properly grounded! After servicing any parts on the panel, make sure that the green ground wire is firmly attached to the metal tab on the inside of the control panel. Only *then* should you lock up the game.

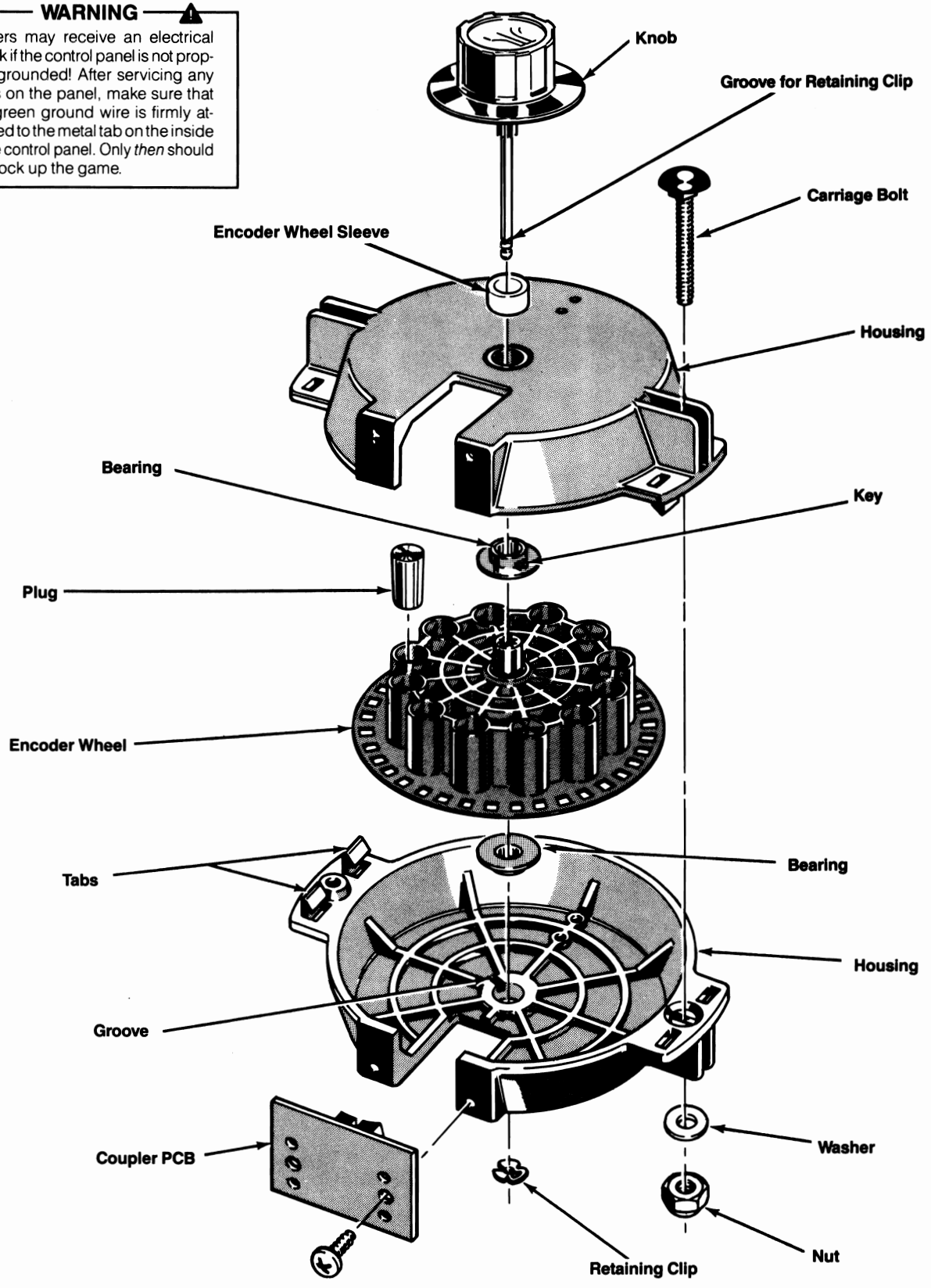


Figure 2 Disassembling the Encoder Wheel