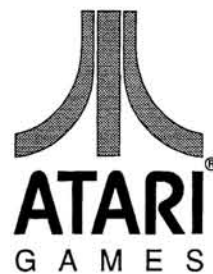


Table of Contents

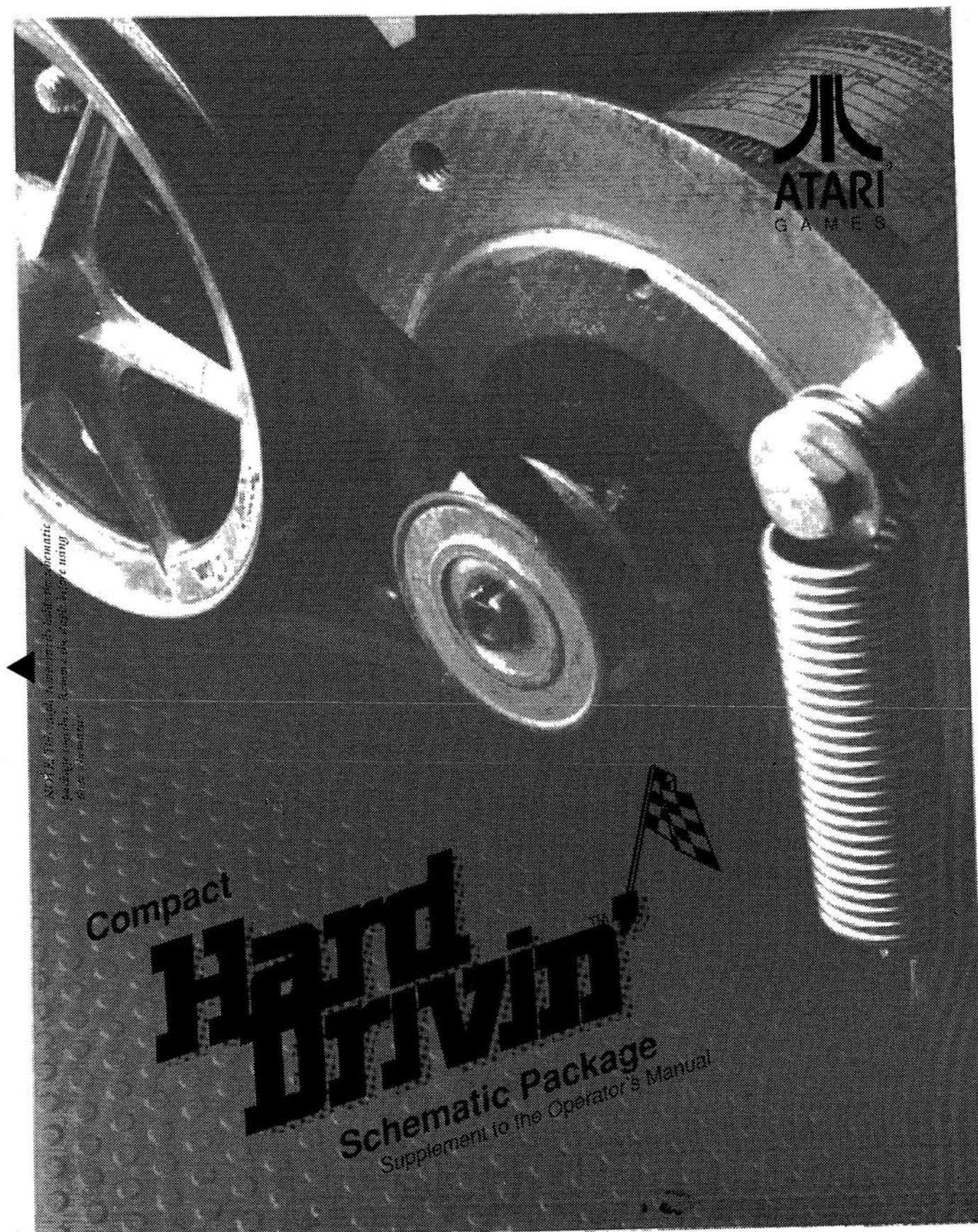
Hard Drivin' Compact

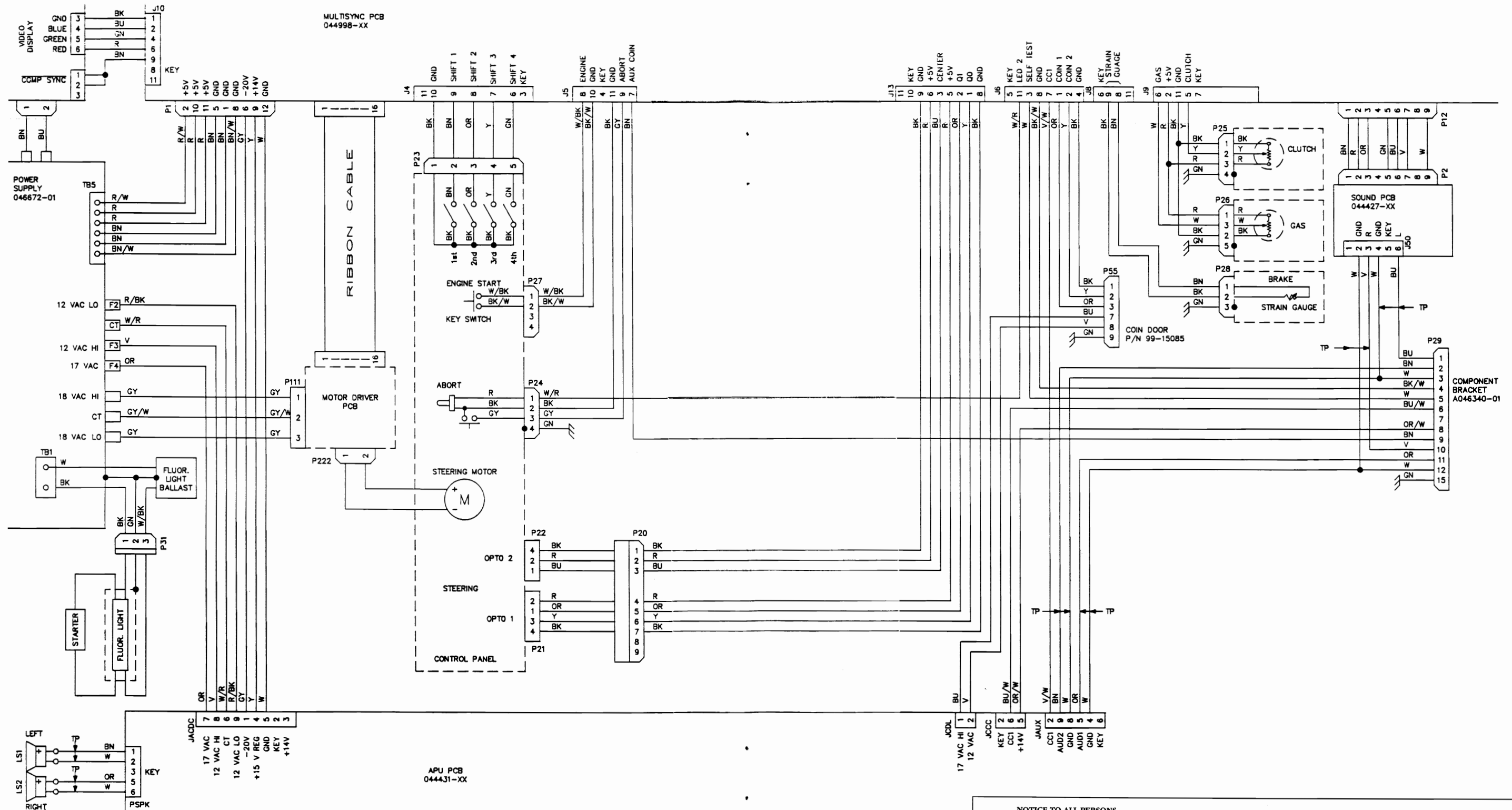
Main Wiring Diagram Sheet 1
 Multisync Main PCB Assembly Schematic Diagram (edited) ... Sheets 2–11
 APU PCB Assembly Schematic Diagram Sheet 12
 Motor Amplifier PCB Assembly Schematic Diagram Sheet 13
 Encoder PCB and Centering PCB Assembly Schematic
 Diagrams and Faulty Program ROM Locations Sheet 14
 Wiring Diagrams for the Power Supply and the Coin Door
 and the Schematic Diagram for the Hitron Power Supply Sheet 15
 Memory Map Sheet 16



Atari Games Corporation, Customer Service
 737 Sycamore Drive • Milpitas, CA 95035-1110
 (408) 434-3950 • Fax (408) 434-3945 • Telex 5101007850

Atari Games Ireland Limited, European Customer Service
 Tipperary Town • Ireland
 062-52155 • Fax 062-51702 • Telex 70665



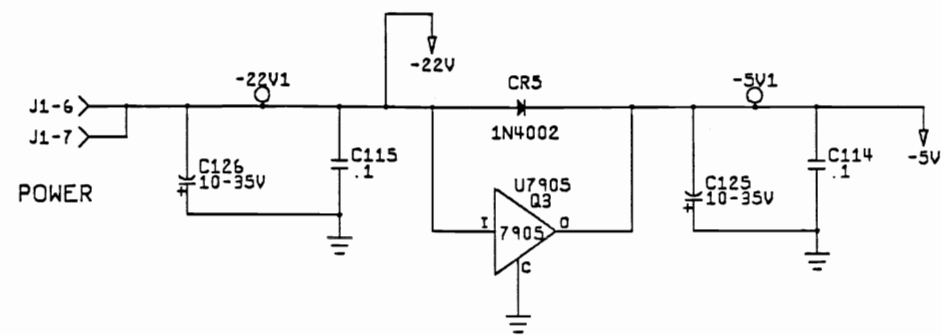
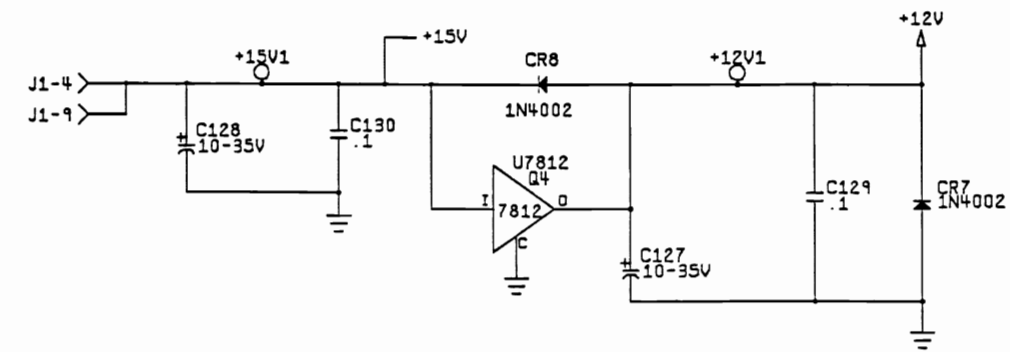
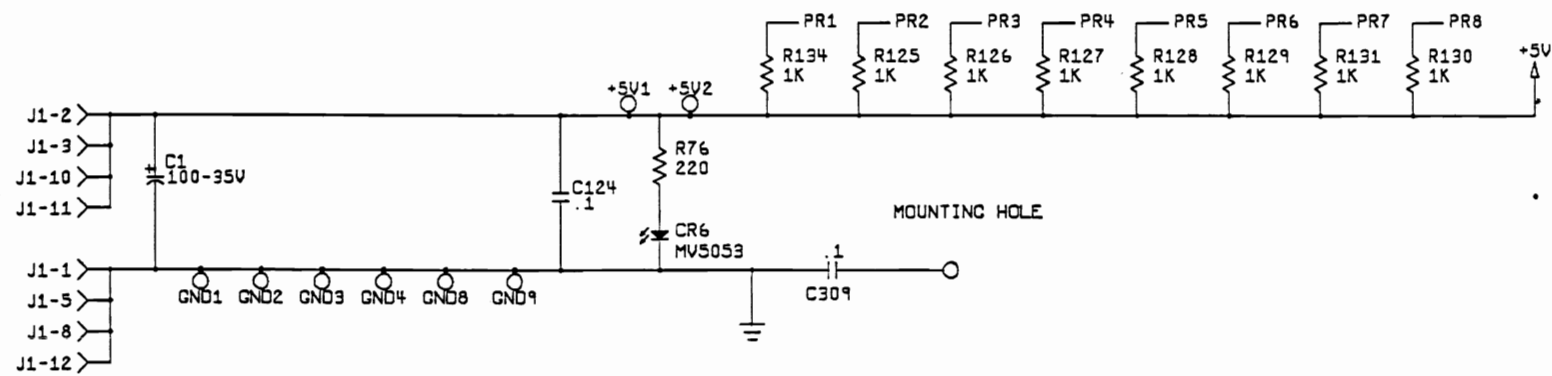


NOTICE TO ALL PERSONS RECEIVING THIS DRAWING
 CONFIDENTIAL: Reproduction forbidden without the specific written permission of Atari Games Corporation, Milpitas, CA. This drawing is only conditionally issued and neither receipt nor possession thereof confers or transfers any right in, or license to use, the subject matter of the drawing or any design or technical information shown thereon, nor any right to reproduce this drawing, or any part thereof. Except for manufacture by vendors of Atari Games Corporation, and for manufacture under the corporation's written license, no right is granted to reproduce this drawing or the subject matter thereof, unless by written agreement with or written permission from the corporation.

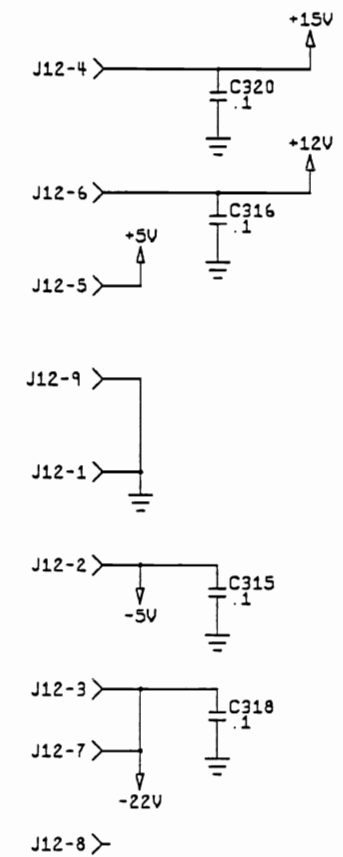
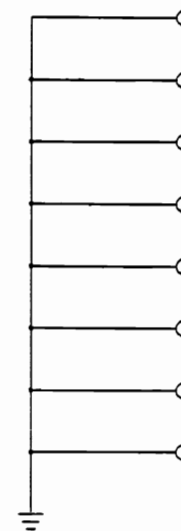
**Hard Drivin' Compact™
 Main Wiring Diagram**

© 1989 Atari Games Corporation
 046659-01 B

**SP-329 Sheet 1
 1st printing**



MOUNTING HOLES



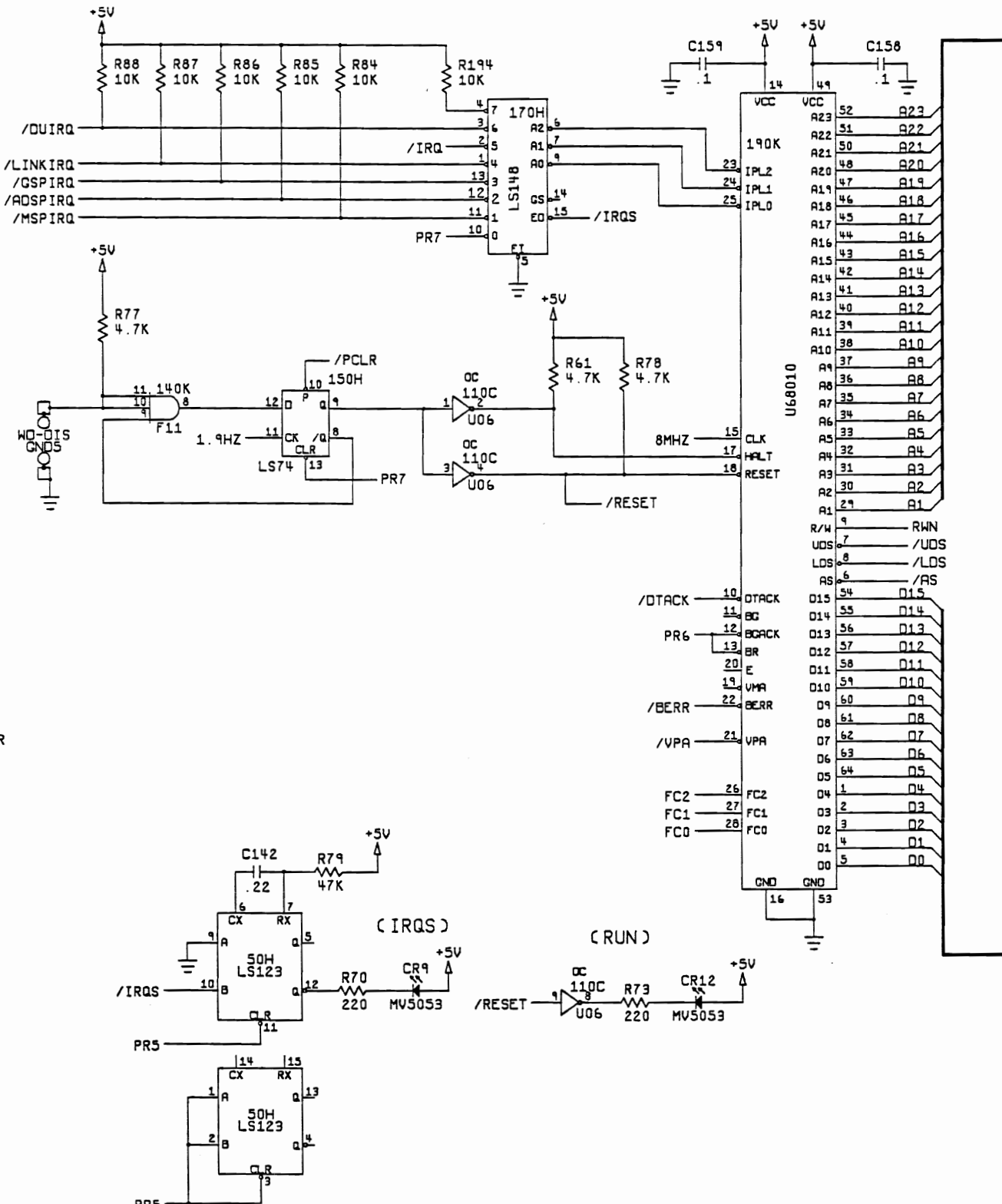
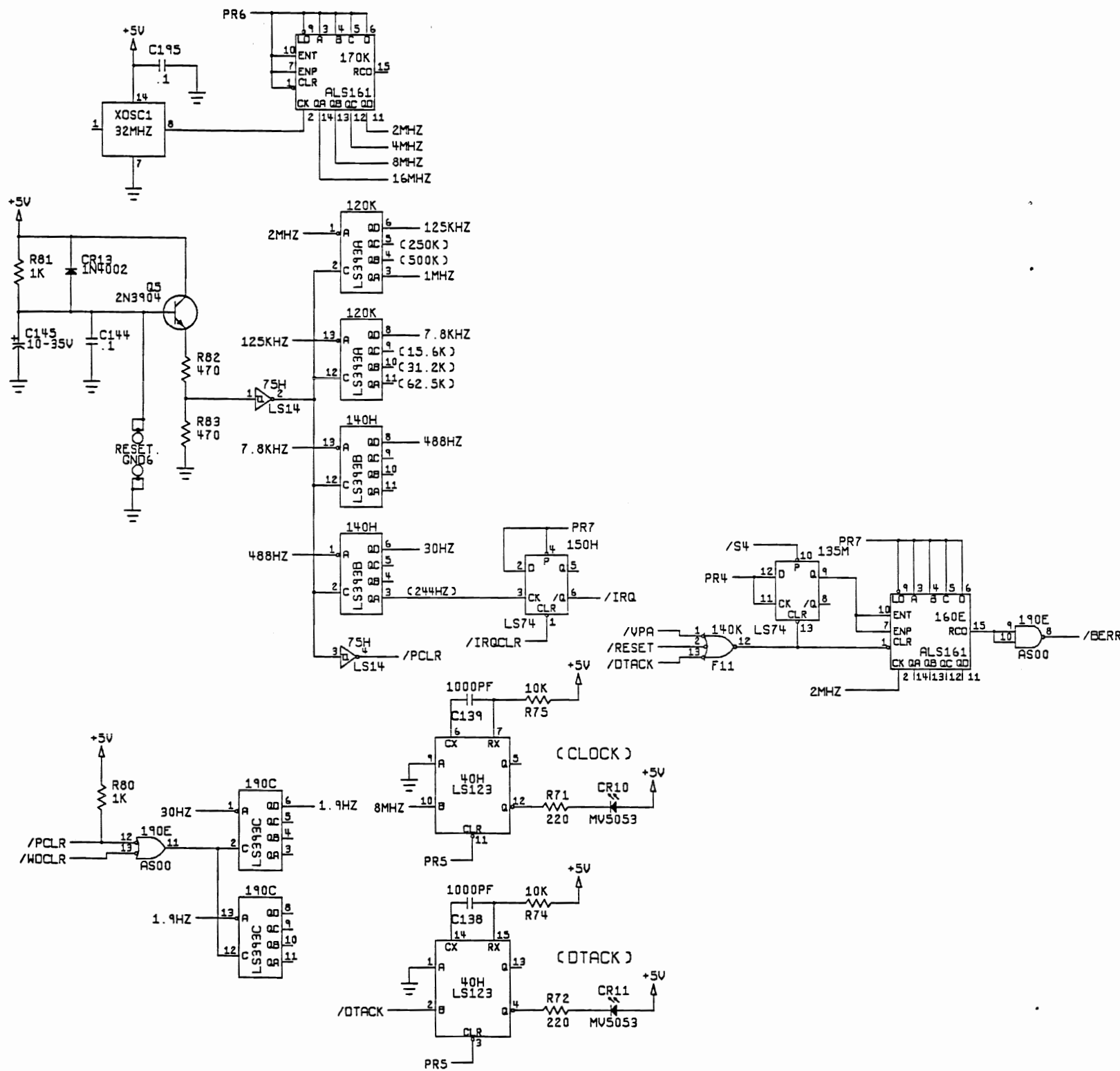
SOUND

NOTICE TO ALL PERSONS RECEIVING THIS DRAWING
 CONFIDENTIAL: Reproduction forbidden without the specific written permission of Atari Games Corporation, Milpitas, CA. This drawing is only conditionally issued and neither receipt nor possession thereof confers or transfers any right in, or license to use, the subject matter of the drawing or any design or technical information shown thereon, nor any right to reproduce this drawing, or any part thereof. Except for manufacture by vendors of Atari Games Corporation, and for manufacture under the corporation's written license, no right is granted to reproduce this drawing or the subject matter thereof, unless by written agreement with or written permission from the corporation.

**Hard Drivin' Compact™ Main PCB
 Assembly Schematic Diagram**

© 1989 Atari Games Corporation
 044998-01 C

**SP-329 Sheet 2
 1st printing**



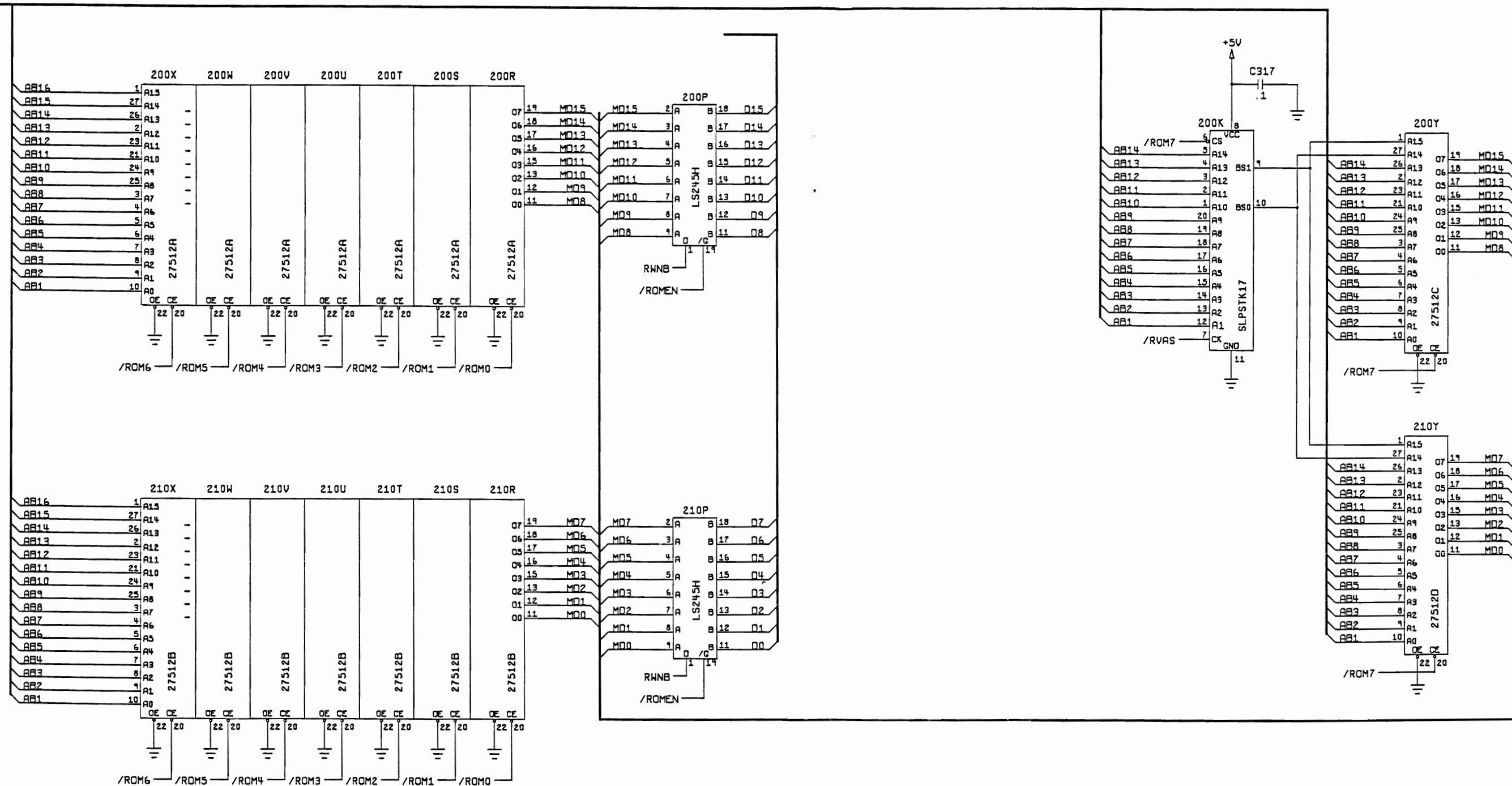
NOTICE TO ALL PERSONS RECEIVING THIS DRAWING

CONFIDENTIAL: Reproduction forbidden without the specific written permission of Atari Games Corporation, Milpitas, CA. This drawing is only conditionally issued and neither receipt nor possession thereof confers or transfers any right in, or license to use, the subject matter of the drawing or any design or technical information shown thereon, nor any right to reproduce this drawing, or any part thereof. Except for manufacture by vendors of Atari Games Corporation, and for manufacture under the corporation's written license, no right is granted to reproduce this drawing or the subject matter thereof, unless by written agreement with or written permission from the corporation.

Hard Drivin' Compact™ Main PCB Assembly Schematic Diagram

© 1989 Atari Games Corporation
044998-01 C

**SP-329 Sheet 3
1st printing**

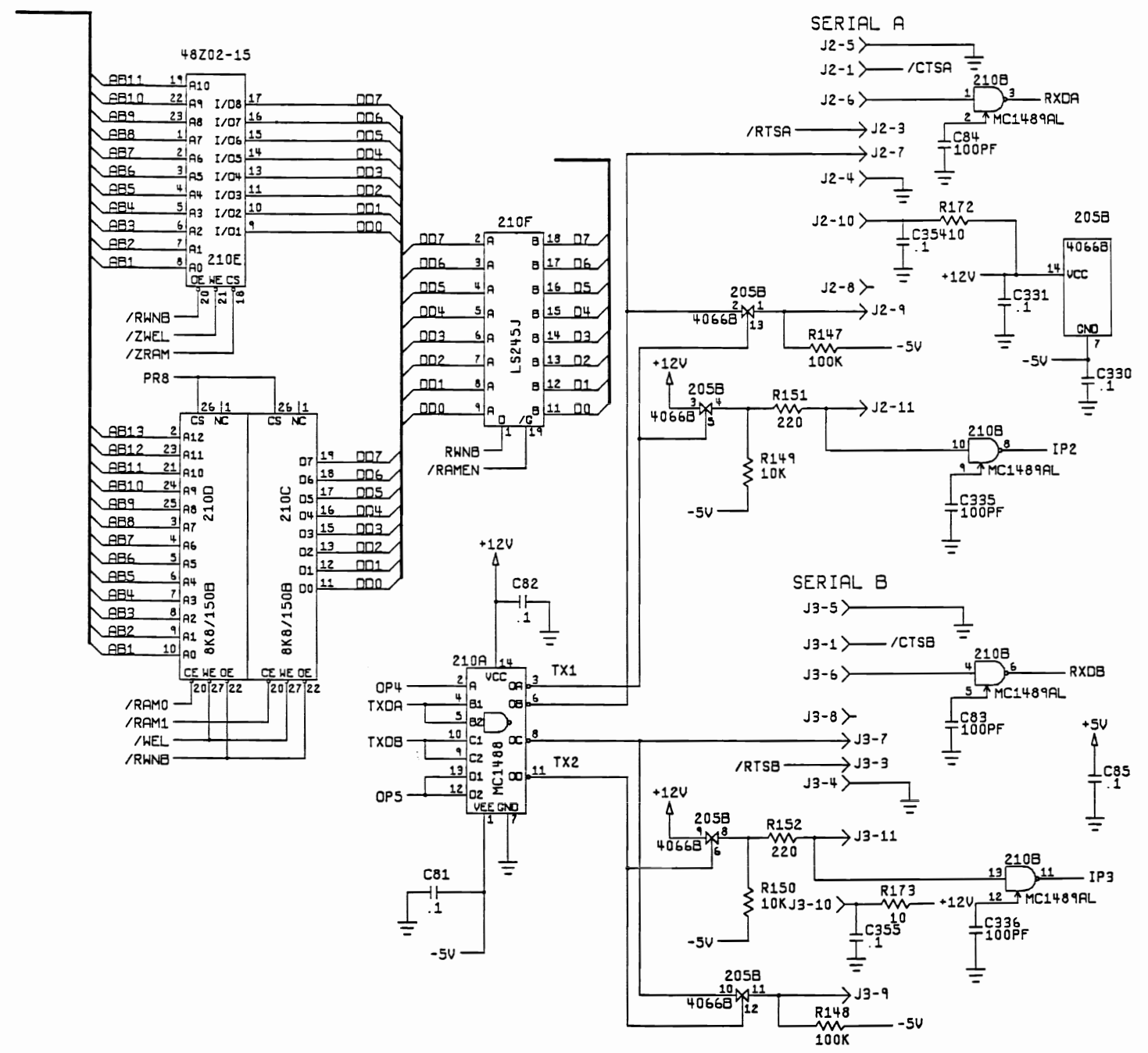
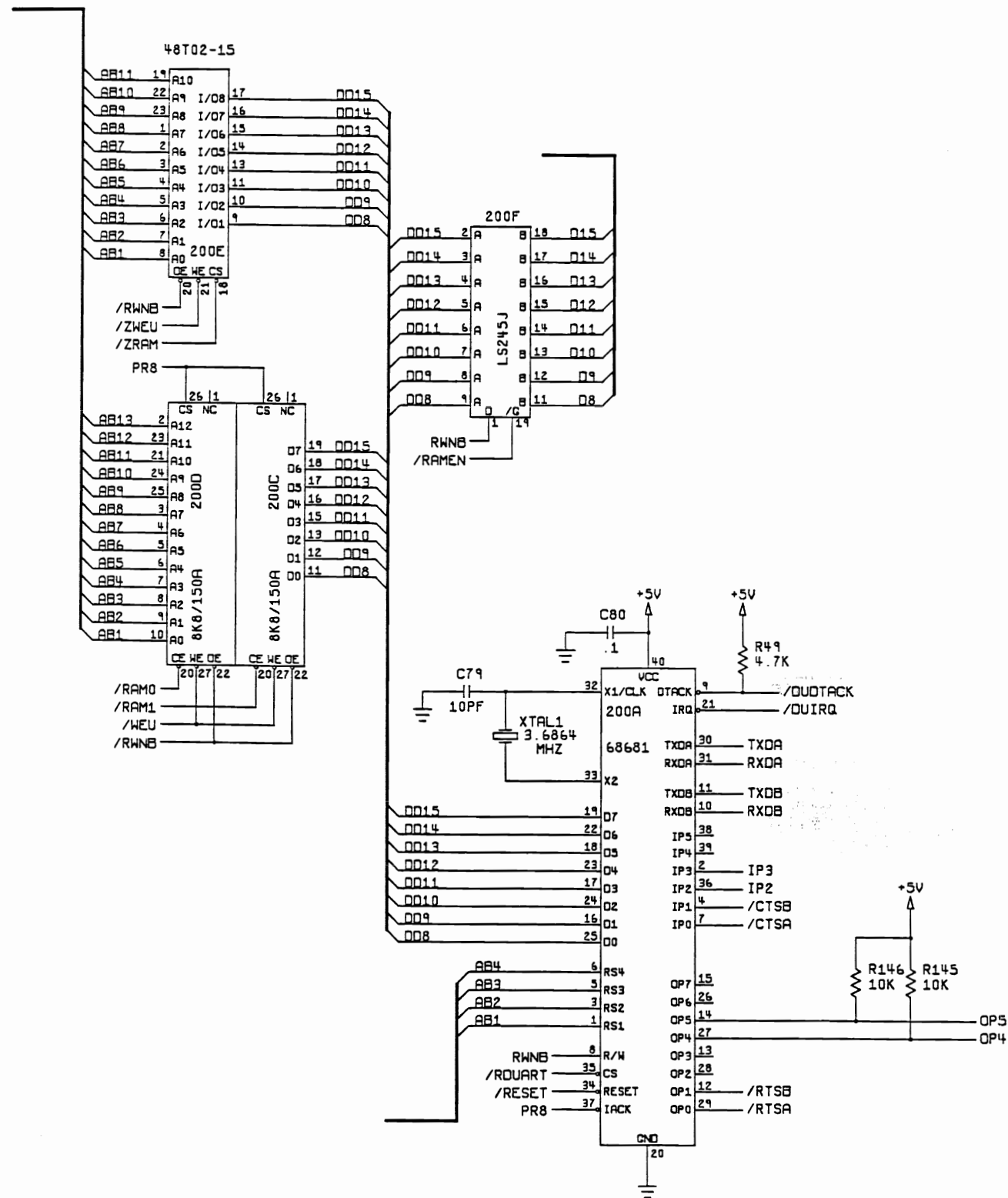


NOTICE TO ALL PERSONS RECEIVING THIS DRAWING
 CONFIDENTIAL: Reproduction forbidden without the specific written permission of Atari Games Corporation, Milpitas, CA. This drawing is only conditionally issued and neither receipt nor possession thereof confers or transfers any right in, or license to use, the subject matter of the drawing or any design or technical information shown thereon, nor any right to reproduce this drawing, or any part thereof. Except for manufacture by vendors of Atari Games Corporation, and for manufacture under the corporation's written license, no right is granted to reproduce this drawing or the subject matter thereof, unless by written agreement with or written permission from the corporation.

Hard Drivin' Compact™ Main PCB Assembly Schematic Diagram

© 1989 Atari Games Corporation
 044998-01 C

SP-329 Sheet 5
 1st printing

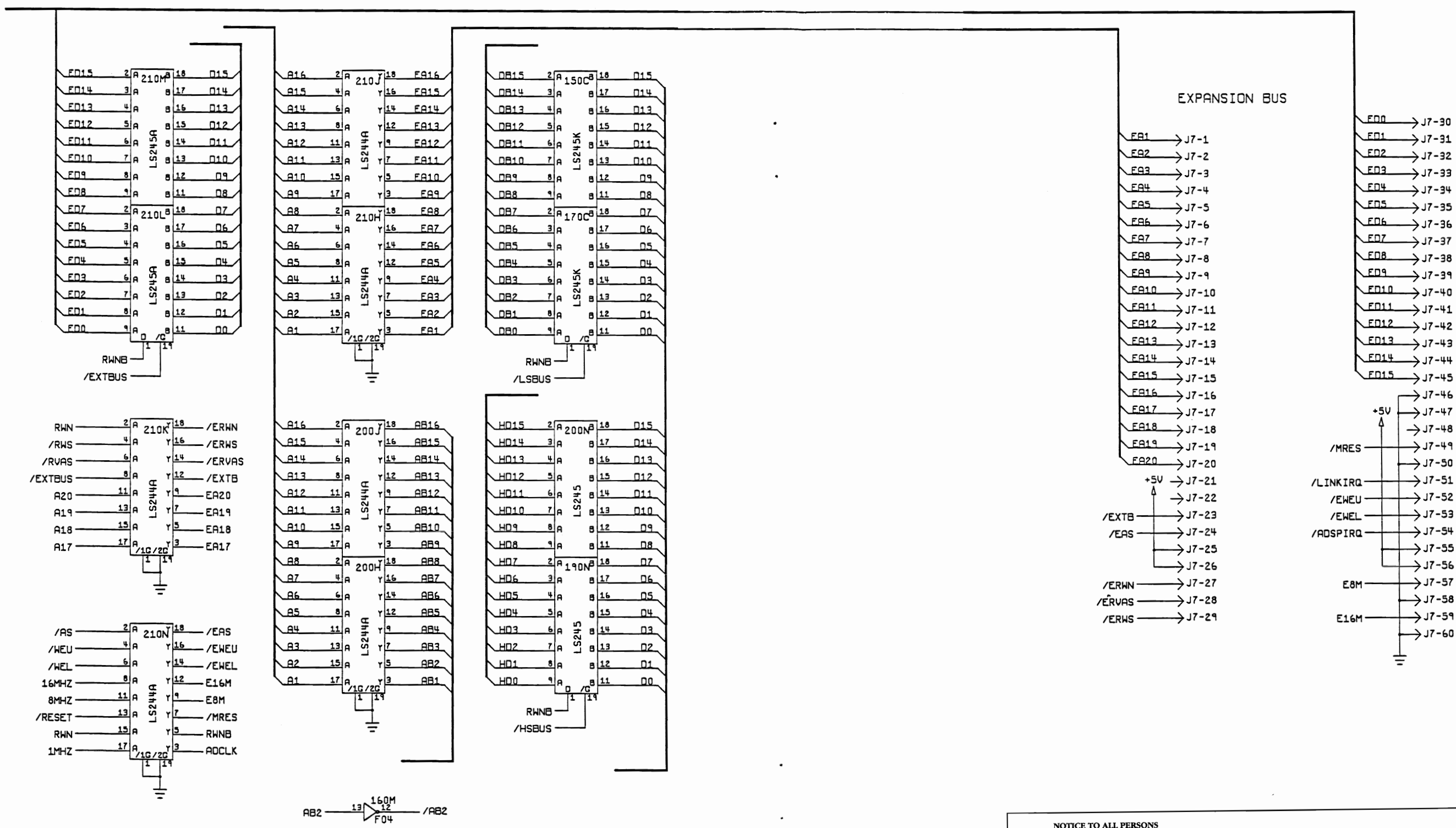


NOTICE TO ALL PERSONS RECEIVING THIS DRAWING
 CONFIDENTIAL: Reproduction forbidden without the specific written permission of Atari Games Corporation, Milpitas, CA. This drawing is only conditionally issued and neither receipt nor possession thereof confers or transfers any right in, or license to use, the subject matter of the drawing or any design or technical information shown thereon, nor any right to reproduce this drawing, or any part thereof. Except for manufacture by vendors of Atari Games Corporation, and for manufacture under the corporation's written license, no right is granted to reproduce this drawing or the subject matter thereof, unless by written agreement with or written permission from the corporation.

**Hard Drivin' Compact™ Main PCB
 Assembly Schematic Diagram**

© 1989 Atari Games Corporation
 044998-01 C

**SP-329 Sheet 6
 1st printing**

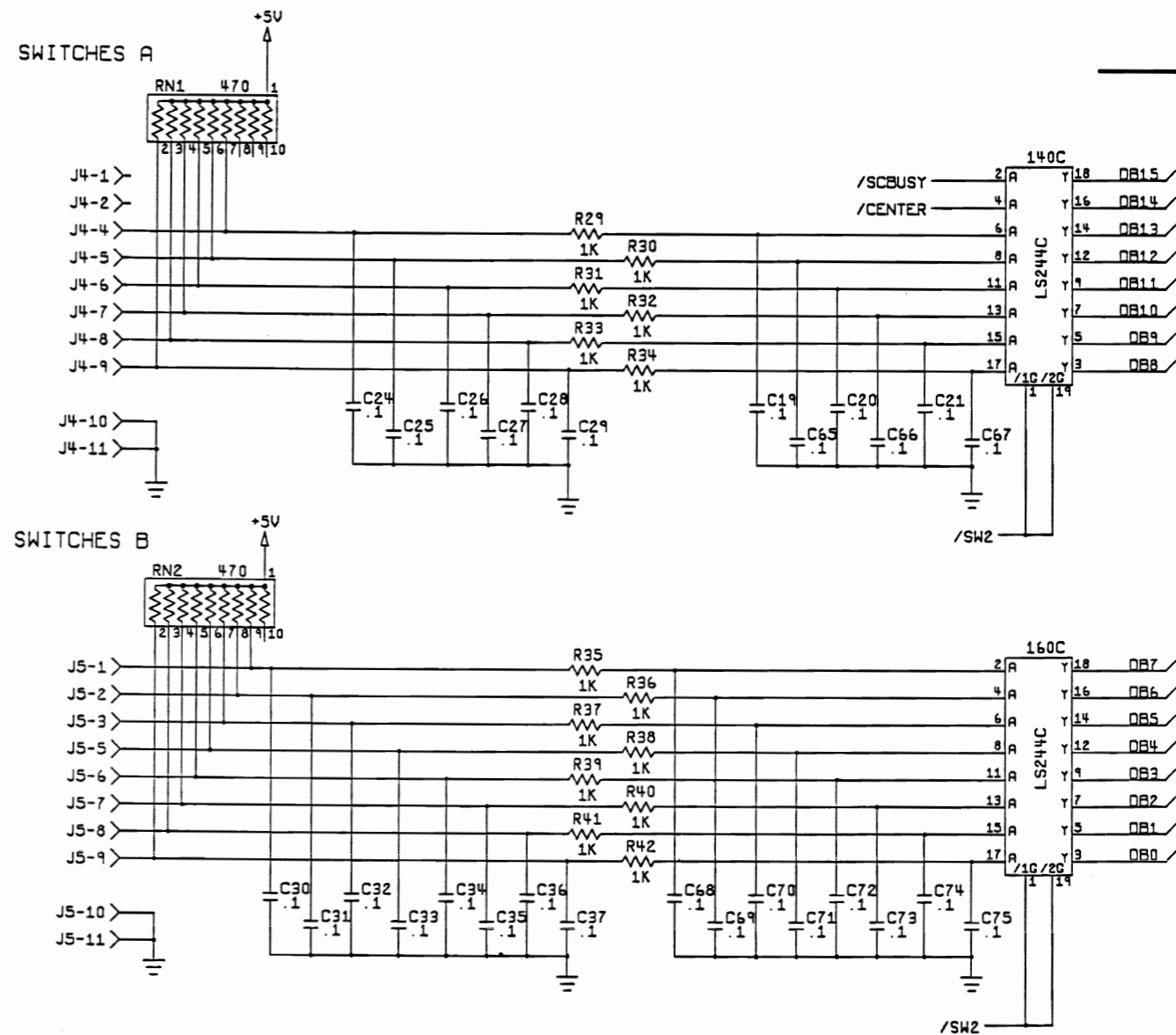
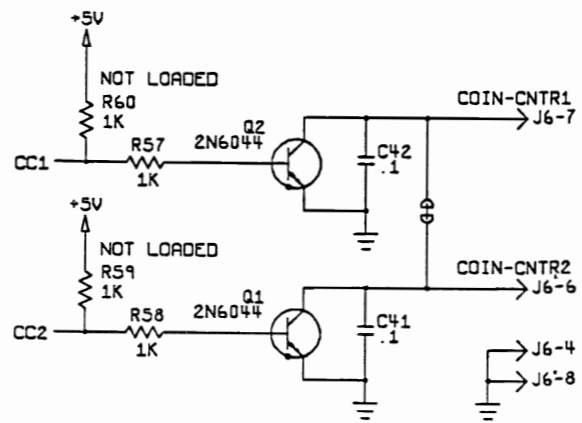
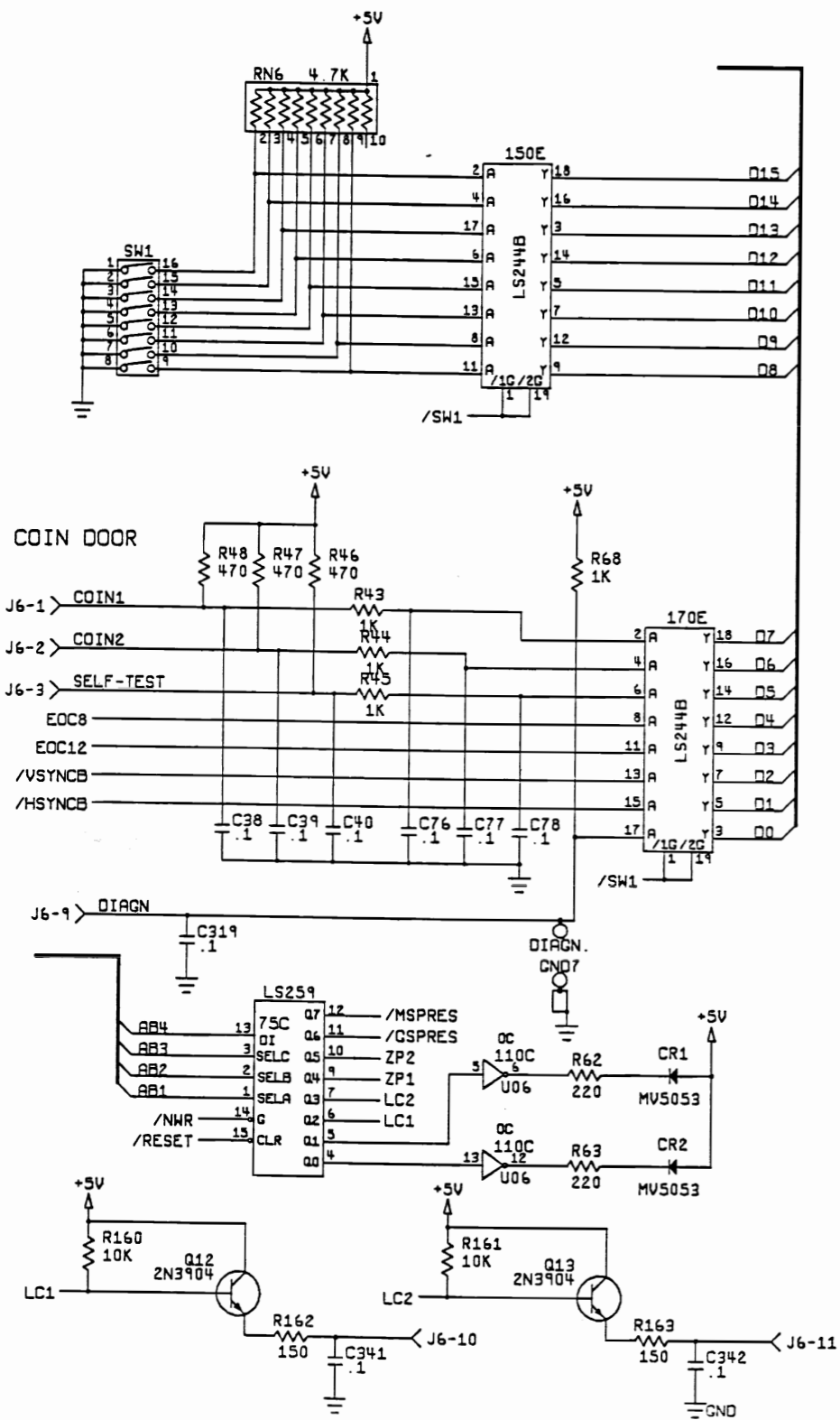


NOTICE TO ALL PERSONS RECEIVING THIS DRAWING
 CONFIDENTIAL: Reproduction forbidden without the specific written permission of Atari Games Corporation, Milpitas, CA. This drawing is only conditionally issued and neither receipt nor possession thereof confers or transfers any right in, or license to use, the subject matter of the drawing or any design or technical information shown thereon, nor any right to reproduce this drawing, or any part thereof. Except for manufacture by vendors of Atari Games Corporation, and for manufacture under the corporation's written license, no right is granted to reproduce this drawing or the subject matter thereof, unless by written agreement with or written permission from the corporation.

Hard Drivin' Compact™ Main PCB Assembly Schematic Diagram

© 1989 Atari Games Corporation
 044998-01 C

SP-329 Sheet 7
 1st printing



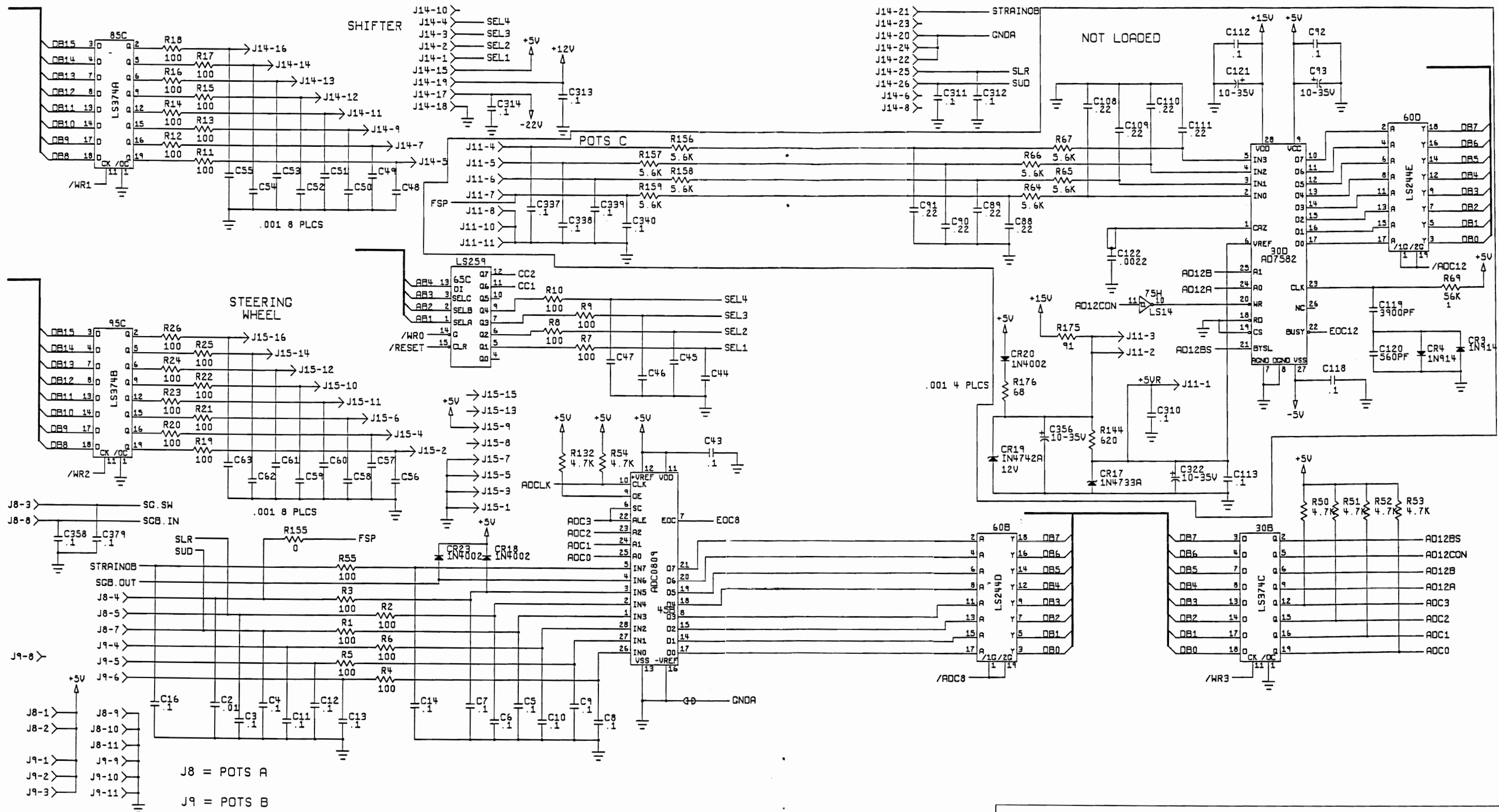
NOTICE TO ALL PERSONS RECEIVING THIS DRAWING

CONFIDENTIAL: Reproduction forbidden without the specific written permission of Atari Games Corporation, Milpitas, CA. This drawing is only conditionally issued and neither receipt nor possession thereof confers or transfers any right in, or license to use, the subject matter of the drawing or any design or technical information shown thereon, nor any right to reproduce this drawing, or any part thereof. Except for manufacture by vendors of Atari Games Corporation, and for manufacture under the corporation's written license, no right is granted to reproduce this drawing or the subject matter thereof, unless by written agreement with or written permission from the corporation.

Hard Drivin' Compact™ Main PCB Assembly Schematic Diagram

© 1989 Atari Games Corporation
044998-01 C

SP-329 Sheet 8
1st printing

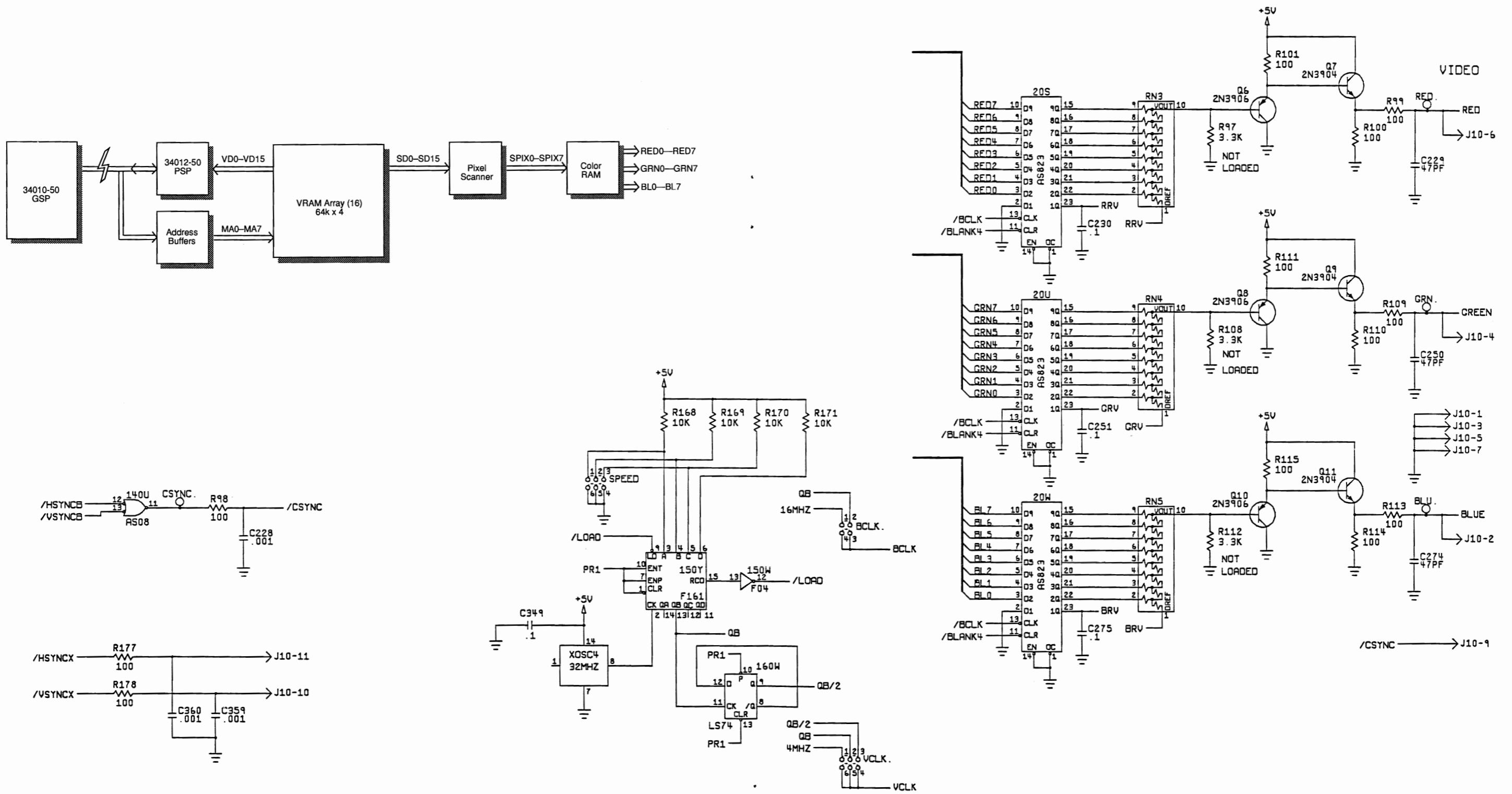


NOTICE TO ALL PERSONS RECEIVING THIS DRAWING
 CONFIDENTIAL: Reproduction forbidden without the specific written permission of Atari Games Corporation, Milpitas, CA. This drawing is only conditionally issued and neither receipt nor possession thereof confers or transfers any right in, or license to use, the subject matter of the drawing or any design or technical information shown thereon, nor any right to reproduce this drawing, or any part thereof. Except for manufacture by vendors of Atari Games Corporation, and for manufacture under the corporation's written license, no right is granted to reproduce this drawing or the subject matter thereof, unless by written agreement with or written permission from the corporation.

Hard Drivin' Compact™ Main PCB Assembly Schematic Diagram

© 1989 Atari Games Corporation
 044998-01 C

**SP-329 Sheet 9
 1st printing**



**Correct Jumper Settings for
Hard Drivin' Compact**

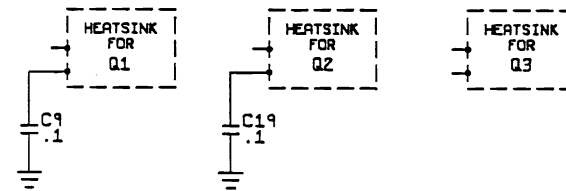
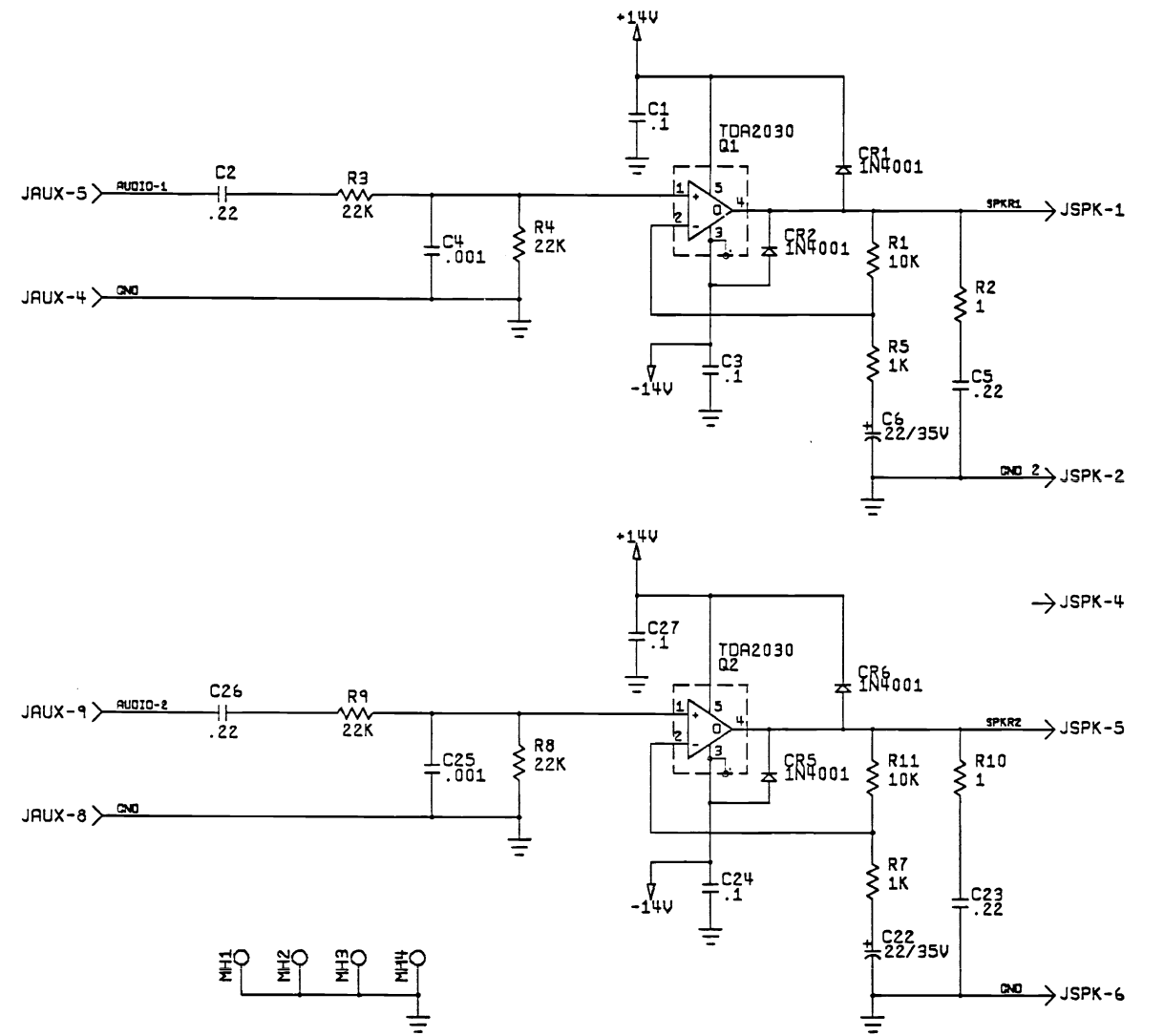
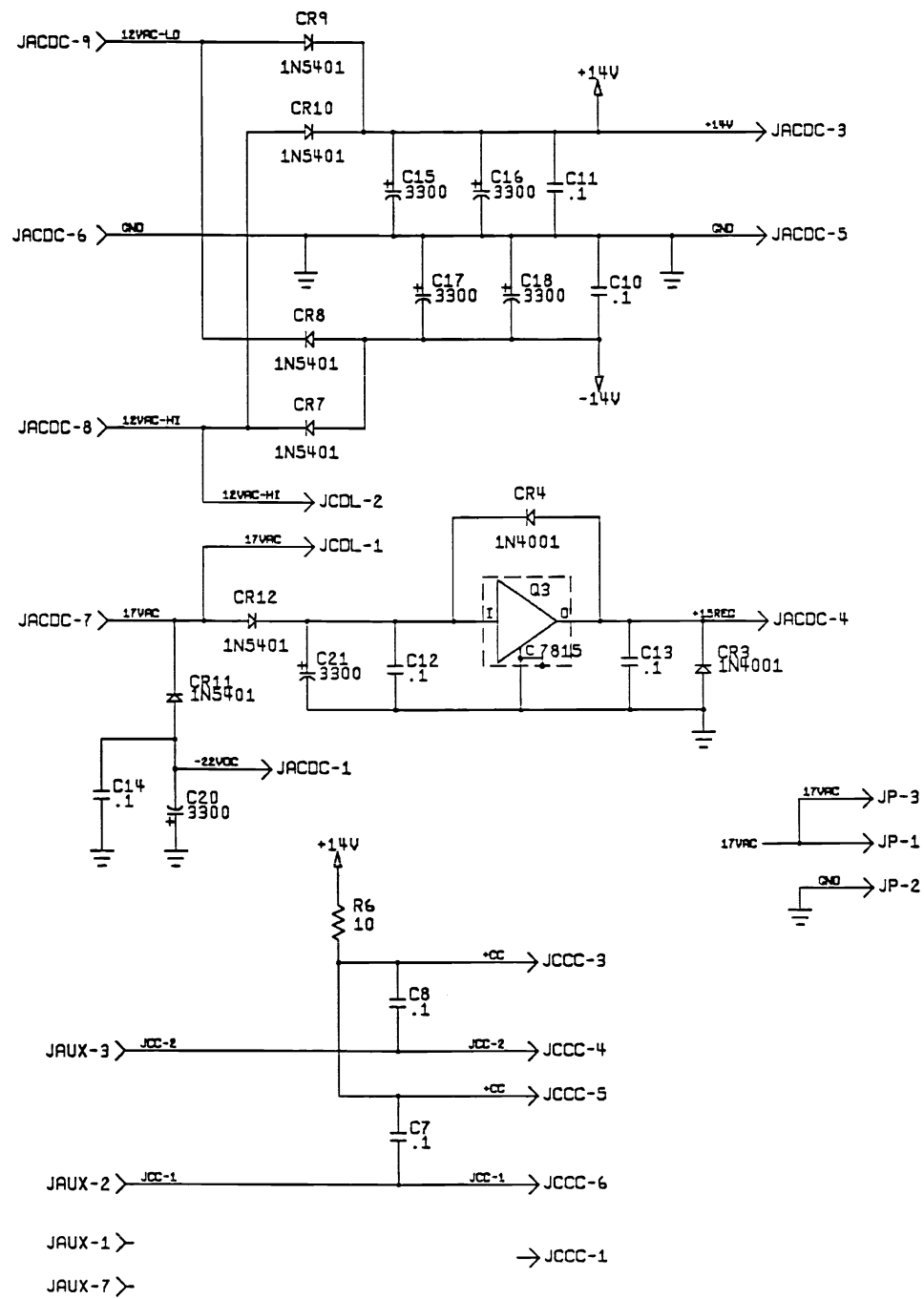
Jumper	Setting
Speed	B
BCLK	QB
VCLK	QB/2

NOTICE TO ALL PERSONS RECEIVING THIS DRAWING
 CONFIDENTIAL: Reproduction forbidden without the specific written permission of Atari Games Corporation, Milpitas, CA. This drawing is only conditionally issued and neither receipt nor possession thereof confers or transfers any right in, or license to use, the subject matter of the drawing or any design or technical information shown thereon, nor any right to reproduce this drawing, or any part thereof. Except for manufacture by vendors of Atari Games Corporation, and for manufacture under the corporation's written license, no right is granted to reproduce this drawing or the subject matter thereof, unless by written agreement with or written permission from the corporation.

Hard Drivin' Compact™ Main PCB Assembly Schematic Diagram

© 1989 Atari Games Corporation
 044998-01 C

**SP-329 Sheet 10
 1st printing**



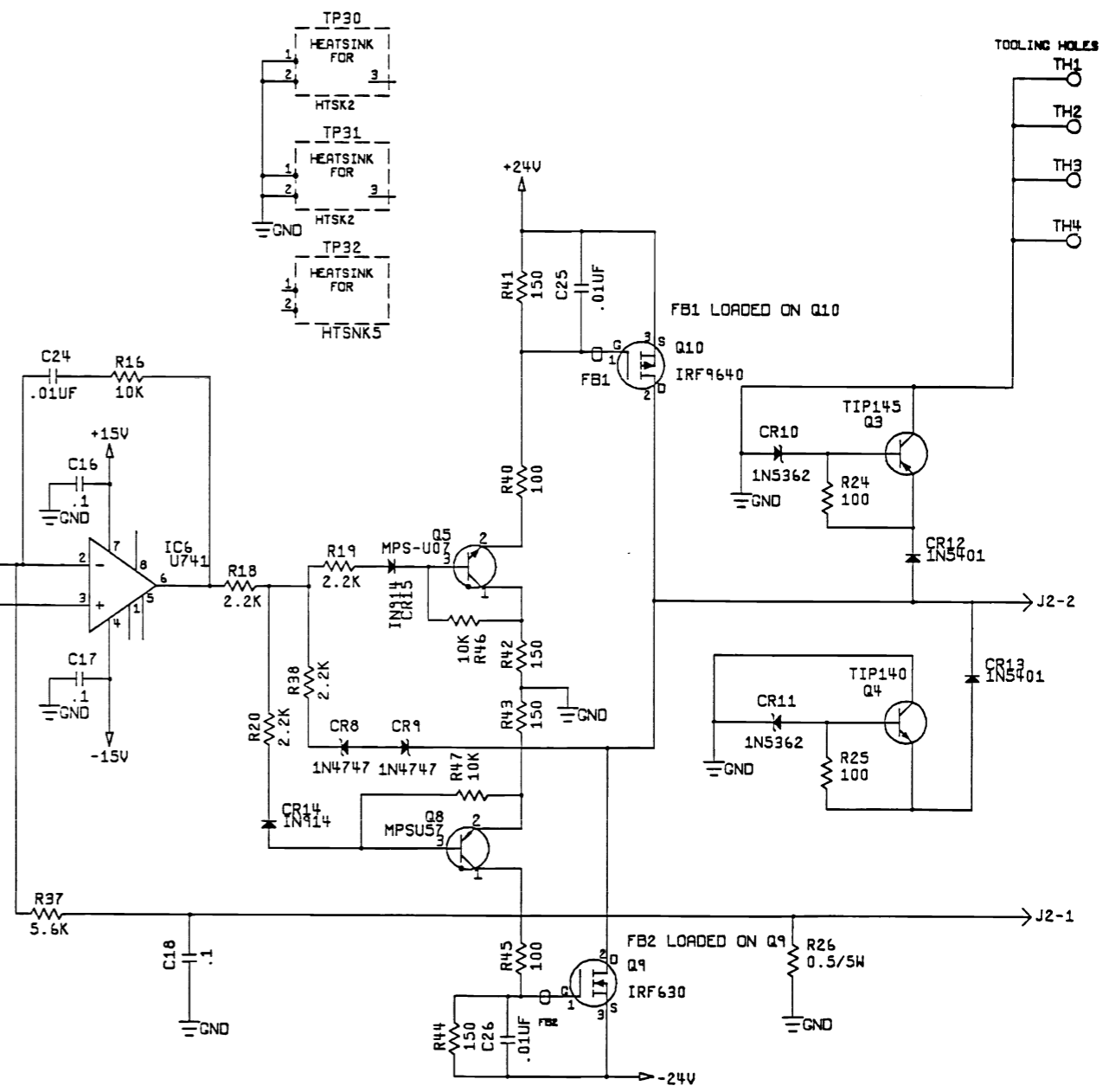
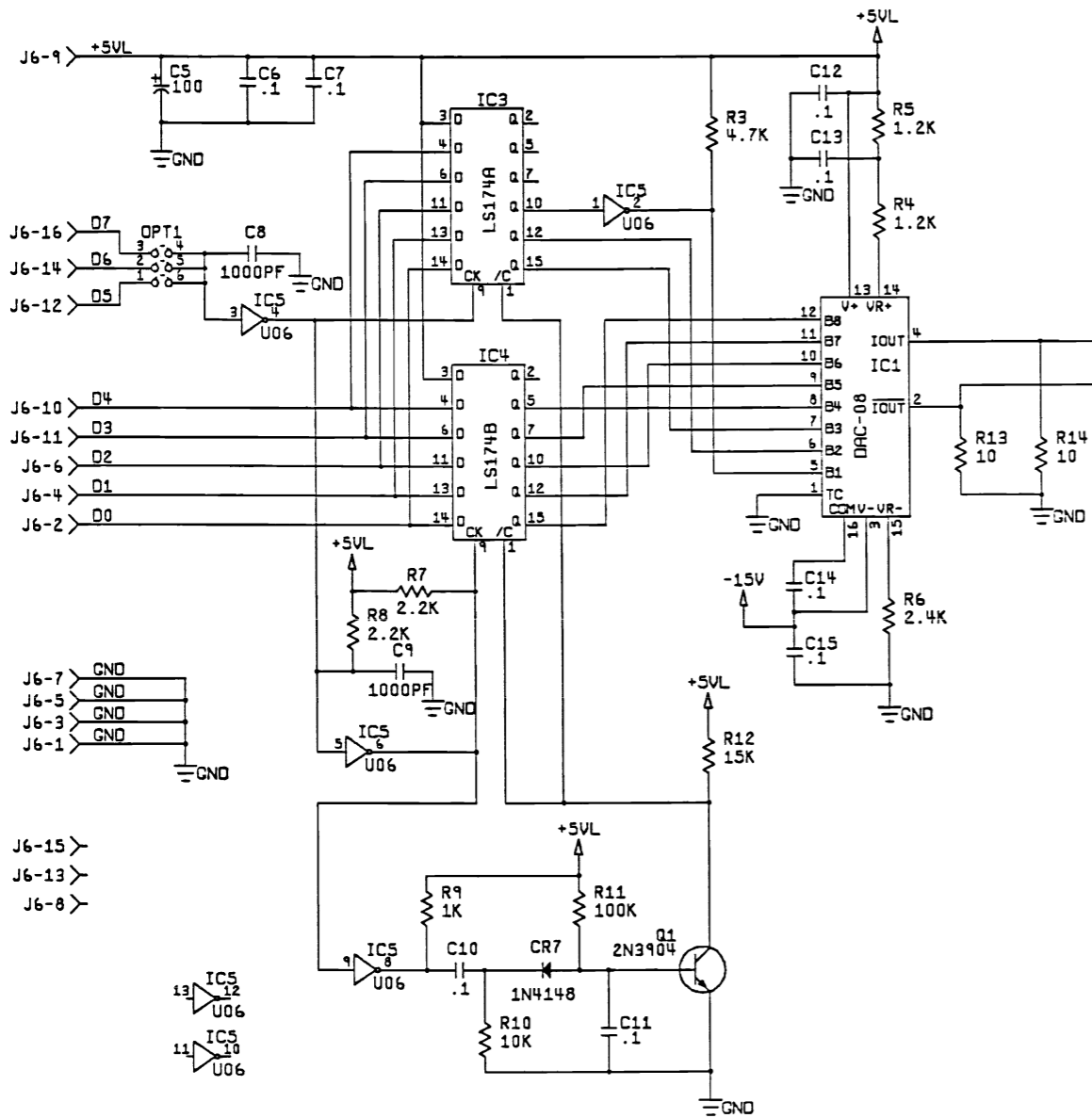
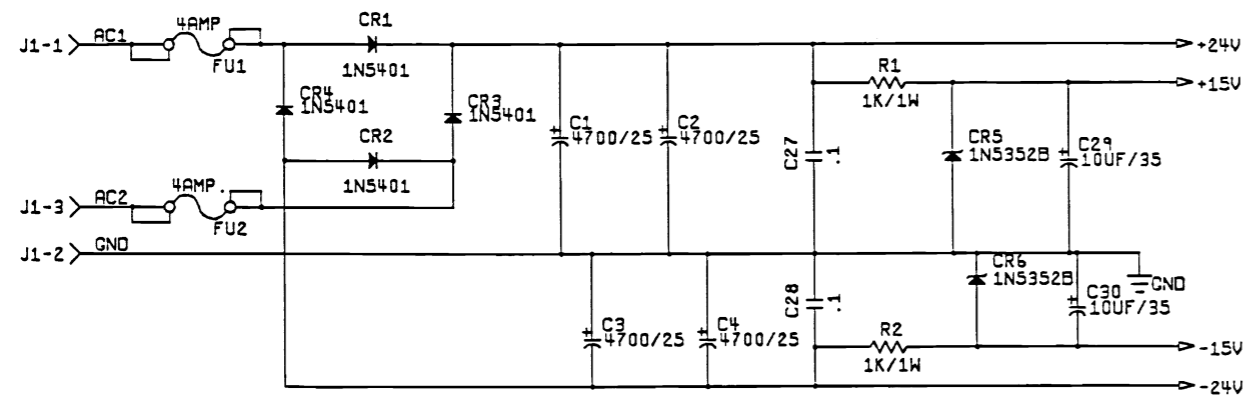
NOTICE TO ALL PERSONS RECEIVING THIS DRAWING

CONFIDENTIAL: Reproduction forbidden without the specific written permission of Atari Games Corporation, Milpitas, CA. This drawing is only conditionally issued and neither receipt nor possession thereof confers or transfers any right in, or license to use, the subject matter of the drawing or any design or technical information shown thereon, nor any right to reproduce this drawing, or any part thereof. Except for manufacture by vendors of Atari Games Corporation, and for manufacture under the corporation's written license, no right is granted to reproduce this drawing or the subject matter thereof, unless by written agreement with or written permission from the corporation.

Hard Drivin' Compact™ APU PCB Assembly Schematic Diagram

© 1989 Atari Games Corporation
044431-XX D

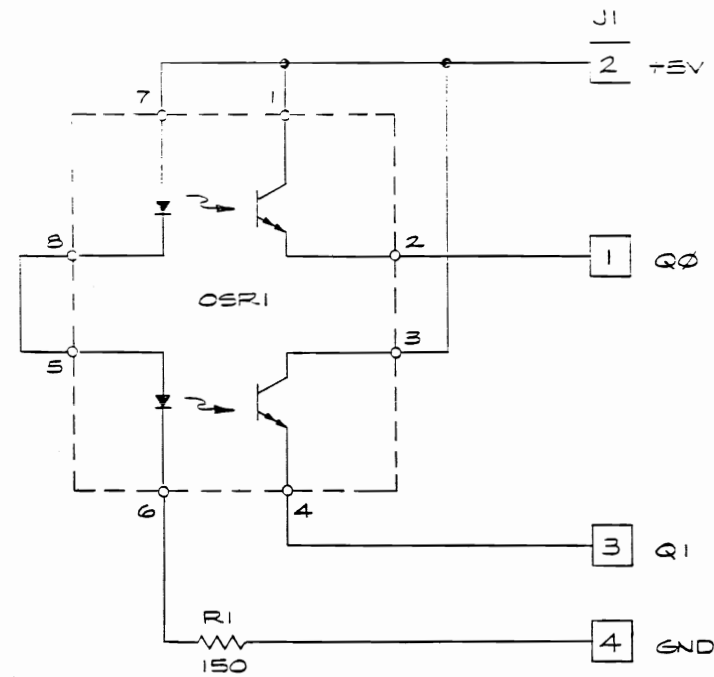
SP-329 Sheet 12
1st printing



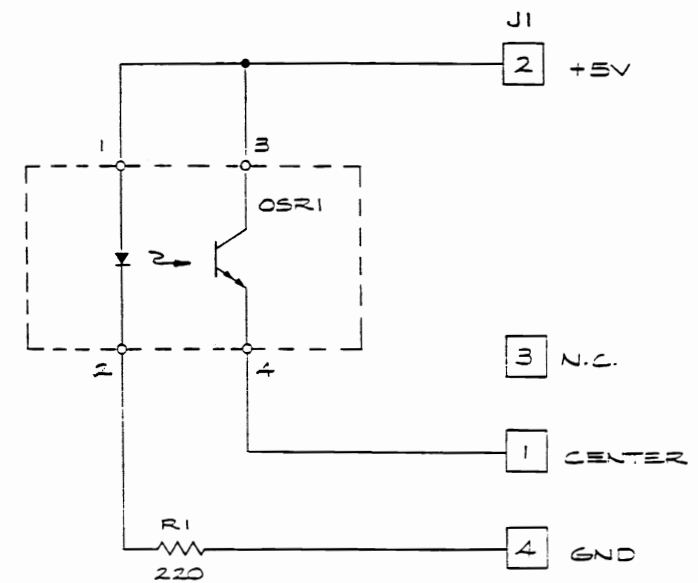
NOTICE TO ALL PERSONS RECEIVING THIS DRAWING
 CONFIDENTIAL: Reproduction forbidden without the specific written permission of Atari Games Corporation, Milpitas, CA. This drawing is only conditionally issued and neither receipt nor possession thereof confers or transfers any right in, or license to use, the subject matter of the drawing or any design or technical information shown thereon, nor any right to reproduce this drawing, or any part thereof. Except for manufacture by vendors of Atari Games Corporation, and for manufacture under the corporation's written license, no right is granted to reproduce this drawing or the subject matter thereof, unless by written agreement with or written permission from the corporation.

Hard Drivin' Compact™ Motor Amplifier PCB Assembly Schematic Diagram

© 1989 Atari Games Corporation
 SP-329 Sheet 13
 1st printing
 046640-01 A



Encoder PCB



Centering PCB

Faulty Program ROM Locations

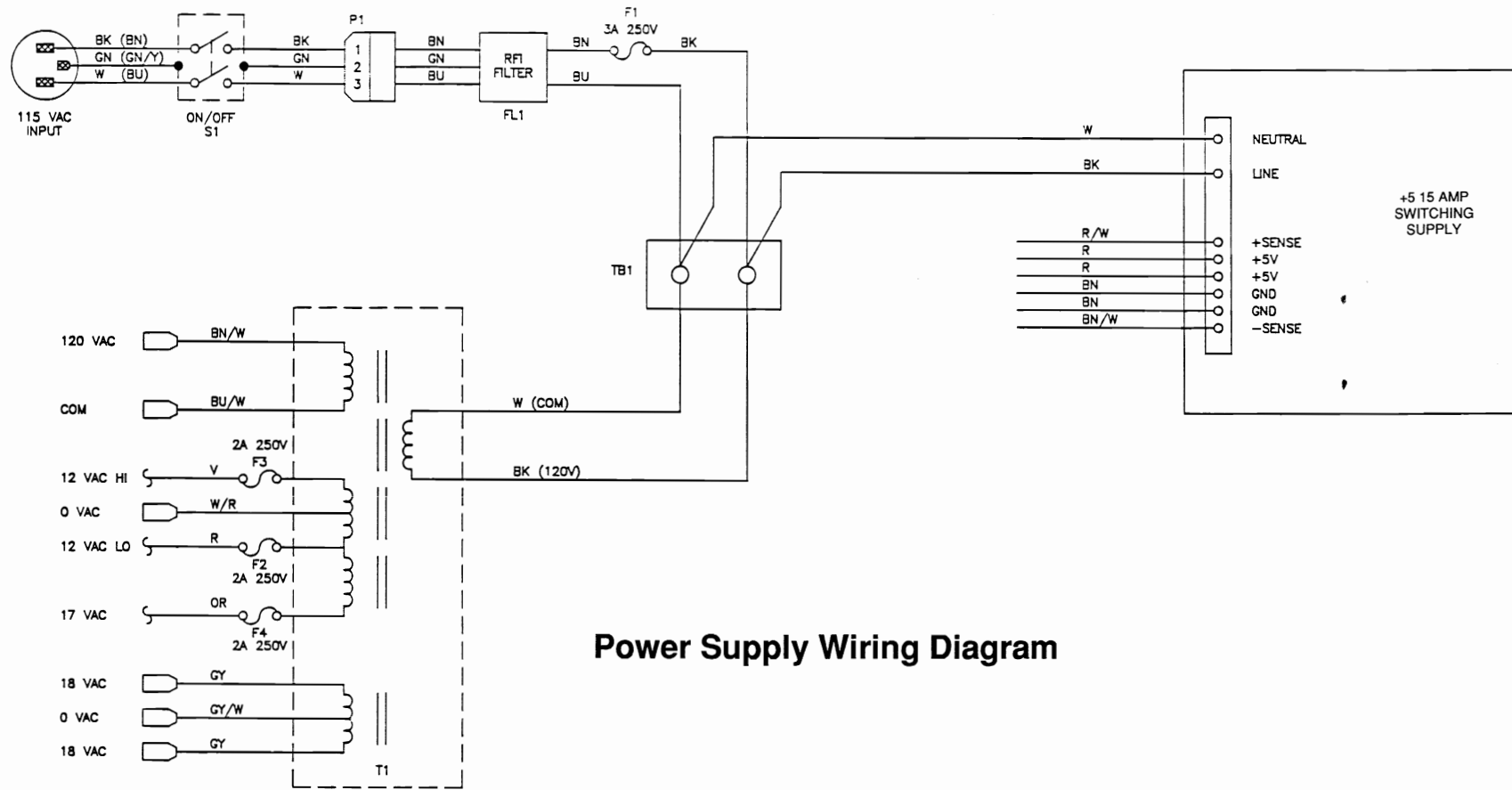
Screen Designation	Main PCB Location	Screen Designation	Main PCB Location
ROM 0 H	210 R	ROM 0 L	200 R
ROM 1 H	210 S	ROM 1 L	200 S
ROM 2 H	210 T	ROM 2 L	200 T
ROM 3 H	210 U	ROM 3 L	200 U
ROM 4 H	210 V	ROM 4 L	200 V
ROM 5 H	210 W	ROM 5 L	200 W
ROM 6 H	210 X	ROM 6 L	200 X
ROM 7 H	210 Y	ROM 7 L	200 Y

Use with the main board ROM checksum screen in the self-test.

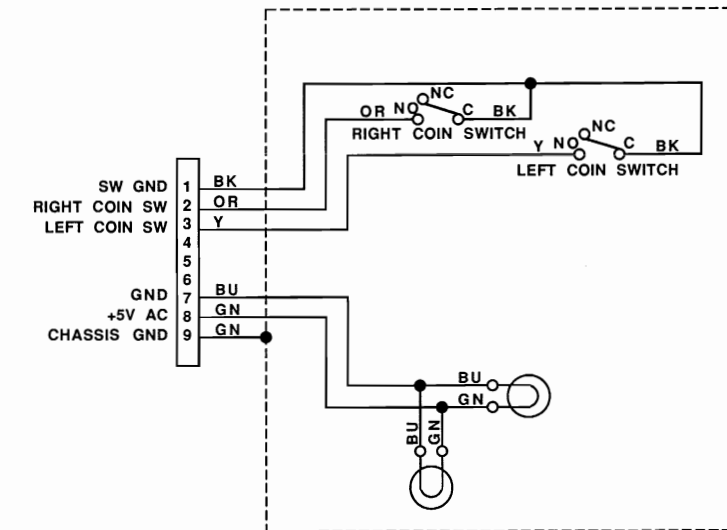
NOTICE TO ALL PERSONS RECEIVING THIS DRAWING

CONFIDENTIAL: Reproduction forbidden without the specific written permission of Atari Games Corporation, Milpitas, CA. This drawing is only conditionally issued and neither receipt nor possession thereof confers or transfers any right in, or license to use, the subject matter of the drawing or any design or technical information shown thereon, nor any right to reproduce this drawing, or any part thereof. Except for manufacture by vendors of Atari Games Corporation, and for manufacture under the corporation's written license, no right is granted to reproduce this drawing or the subject matter thereof, unless by written agreement with or written permission from the corporation.

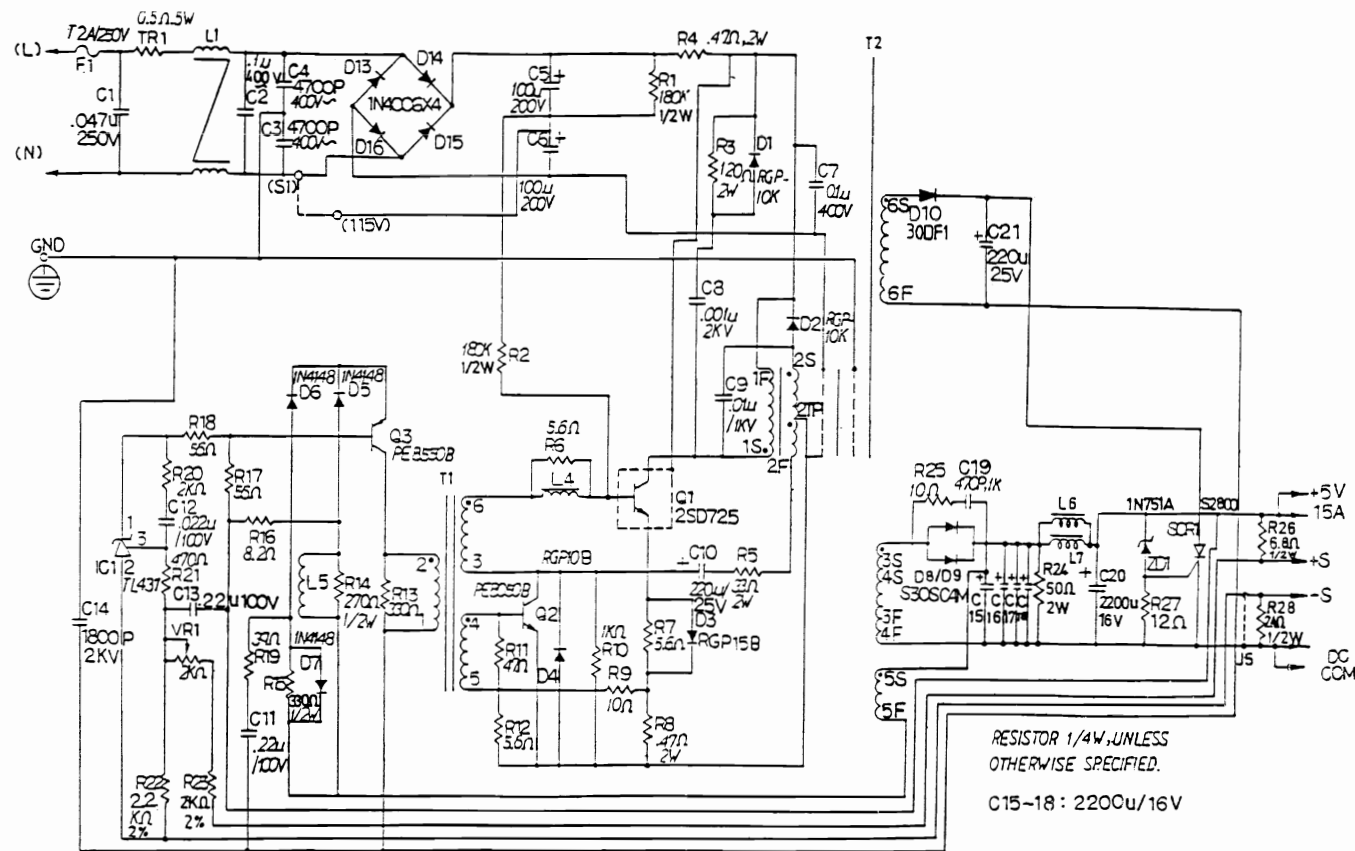
Hard Drivin' Compact™ Encoder and Centering PCB Assembly Schematic Diagrams and Faulty Program ROM Locations



Power Supply Wiring Diagram



Coin Door Wiring Diagram



RESISTOR 1/4W UNLESS OTHERWISE SPECIFIED.
ACTIVE COMPONENTS SHOWN ARE TYPICAL. REFER TO "PARTS LIST" FOR DETAILED DESCRIPTIONS.

Hitron Power Supply Schematic

NOTICE TO ALL PERSONS RECEIVING THIS DRAWING
CONFIDENTIAL: Reproduction forbidden without the specific written permission of Atari Games Corporation, Milpitas, CA. This drawing is only conditionally issued and neither receipt nor possession thereof confers or transfers any right in, or license to use, the subject matter of the drawing or any design or technical information shown thereon, nor any right to reproduce this drawing, or any part thereof. Except for manufacture by vendors of Atari Games Corporation, and for manufacture under the corporation's written license, no right is granted to reproduce this drawing or the subject matter thereof, unless by written agreement with or written permission from the corporation.

Wiring Diagrams for the Power Supply and Coin Door and the Schematic for the Hitron 5V, 15A Power Supply

© 1989 Atari Games Corporation **SP-329 Sheet 15**
1st printing

Main Board Memory Map

ROMEN: Program ROM {Read Only}

00 0000 - 01 FFFF	ROM 0	128K Bytes
02 0000 - 03 FFFF	ROM 1	128K Bytes
04 0000 - 05 FFFF	ROM 2	128K Bytes
06 0000 - 07 FFFF	ROM 3	128K Bytes
08 0000 - 09 FFFF	ROM 4	128K Bytes
0A 0000 - 0B FFFF	ROM 5	128K Bytes
0C 0000 - 0D FFFF	ROM 6	128K Bytes
0E 0000 - 0F FFFF	ROM 7	128K Bytes

OPTO: Optical Steering Wheel Reader

40 0000	{R}	OPTORD	Read the Optical Counter
40 4000	{W}	OPTORES	Reset the Optical Counter
40 8000	{W}	CENRES	Reset the Optical Center Flag

NBUS

60 0000	{R/W}	SCOM	Serial Sound Communications
60 4000	{R}	SCRES	Reset SCOM IC (Address Strobe) READ ONLY
60 4000	{W}		Latches on Address Strobe (Data is ignored)

60 4000	LED 1 off
60 4002	LED 2 off

60 4004	LC1ON	Aux Control 1 High	(Latched)
60 4006	LC2ON	Aux Control 2 High	(Latched)
60 4008	ZP1WEN	ZeroPower RAM Enable 1	(Latched)
60 400A	ZP2WDIS	ZeroPower RAM Disable 2	(Latched)

60 400C	GSP Reset Low
60 400E	MSP Reset Low

60 4010	LED 1 on		
60 4012	LED 2 on		
60 4014	LC1OFF	Aux Control 1 High	(Latched)
60 4016	LC2OFF	Aux Control 2 High	(Latched)

60 4018	ZP1WDIS	ZeroPower RAM Disable 1	(Latched)
60 401A	ZP2WEN	ZeroPower RAM Enable 2	(Latched)
60 401C	GSP Reset High		
60 401E	MSP Reset High		

60 8000	{W}	WDCLR	Clear Watch Dog (Address Strobe)
60 C000	{R}	SW1	

D15	Option Switch 7	('0' = on)
D14	Option Switch 6	('0' = on)
D13	Option Switch 5	('0' = on)
D12	Option Switch 4	('0' = on)
D11	Option Switch 3	('0' = on)
D10	Option Switch 2	('0' = on)
D9	Option Switch 1	('0' = on)
D8	Option Switch 0	('0' = on)

D7	Coin Switch 1	('0' = on)
D6	Coin Switch 2	('0' = on)
D5	Self-Test Switch	('0' = on)

Main Board Memory Map, Contd.

D4	8 Bit ADC, End of Conversion = '1'
D3	12 Bit A/D, End of Conversion = '1'
D2	Vertical Sync from GSP
D1	Horizontal Sync from GSP
D0	Diagnostic Switch ('0' = on)

60 C000	{W}	Clear Timer IRQ (Address Strobe)
---------	-----	----------------------------------

LSBUS

A0 0000	{R}	
A0 0000	{W}	WR0, Write to Shifter Interface and Coin Counters. Latches on Address Strobe (Data is ignored)

A0 0000	
A0 0002	SEL 1 Low
A0 0004	SEL 2 Low
A0 0006	SEL 3 Low
A0 0008	SEL 4 Low

A0 000A	
A0 000C	Coin Counter 1 off
A0 000E	Coin Counter 2 off

A0 0010	
A0 0012	SEL 1 High
A0 0014	SEL 2 High
A0 0016	SEL 3 High
A0 0018	SEL 4 High

A0 001A	
A0 001C	Coin Counter 1 on
A0 001E	Coin Counter 2 on

A8 0000	{R}	/SW2, Sixteen External Switch Inputs
A8 0000	{W}	/WR1, Shifter Interface Latch, D8 - D15

B0 0000	{R}	/RD2, Read 8 Bit A/D
B0 0000	{W}	/WR2, Steering Wheel Latch, D8- D15

B8 0000	{R}	/RD3, Read 12 Bit A/D
B8 0000	{W}	/WR3, A/D Control

D8 - AD12BS	12 Bit A/D Byte Select
D7 - AD12CON	12 Bit A/D Write
D6 - AD12B	12 Bit A/D Address 1
D5 - AD12A	12 Bit A/D Address 0

D3 - ALE, SC	8 Bit A/D Write
D2 - ADDC	8 Bit A/D Address C
D1 - ADDB	8 Bit A/D Address B
D0 - ADDA	8 Bit A/D Address A

RAMEN: Ram and DUART {R/W}

FF 0000	DUART
FF 4000	- FF 4FFE ZRAM (4K Bytes)
FF 8000	- FF BFFF RAM 0 (16K Bytes)
FF C000	- FF FFFF RAM 1 (16K Bytes)

NOTICE TO ALL PERSONS RECEIVING THIS DRAWING

CONFIDENTIAL: Reproduction forbidden without the specific written permission of Atari Games Corporation, Milpitas, CA. This drawing is only conditionally issued and neither receipt nor possession thereof confers or transfers any right in, or license to use, the subject matter of the drawing or any design or technical information shown thereon, nor any right to reproduce this drawing, or any part thereof. Except for manufacture by vendors of Atari Games Corporation, and for manufacture under the corporation's written license, no right is granted to reproduce this drawing or the subject matter thereof, unless by written agreement with or written permission from the corporation.

Hard Drivin' Compact™ Memory Map

© 1989 Atari Games Corporation

SP-329 Sheet 16
1st printing