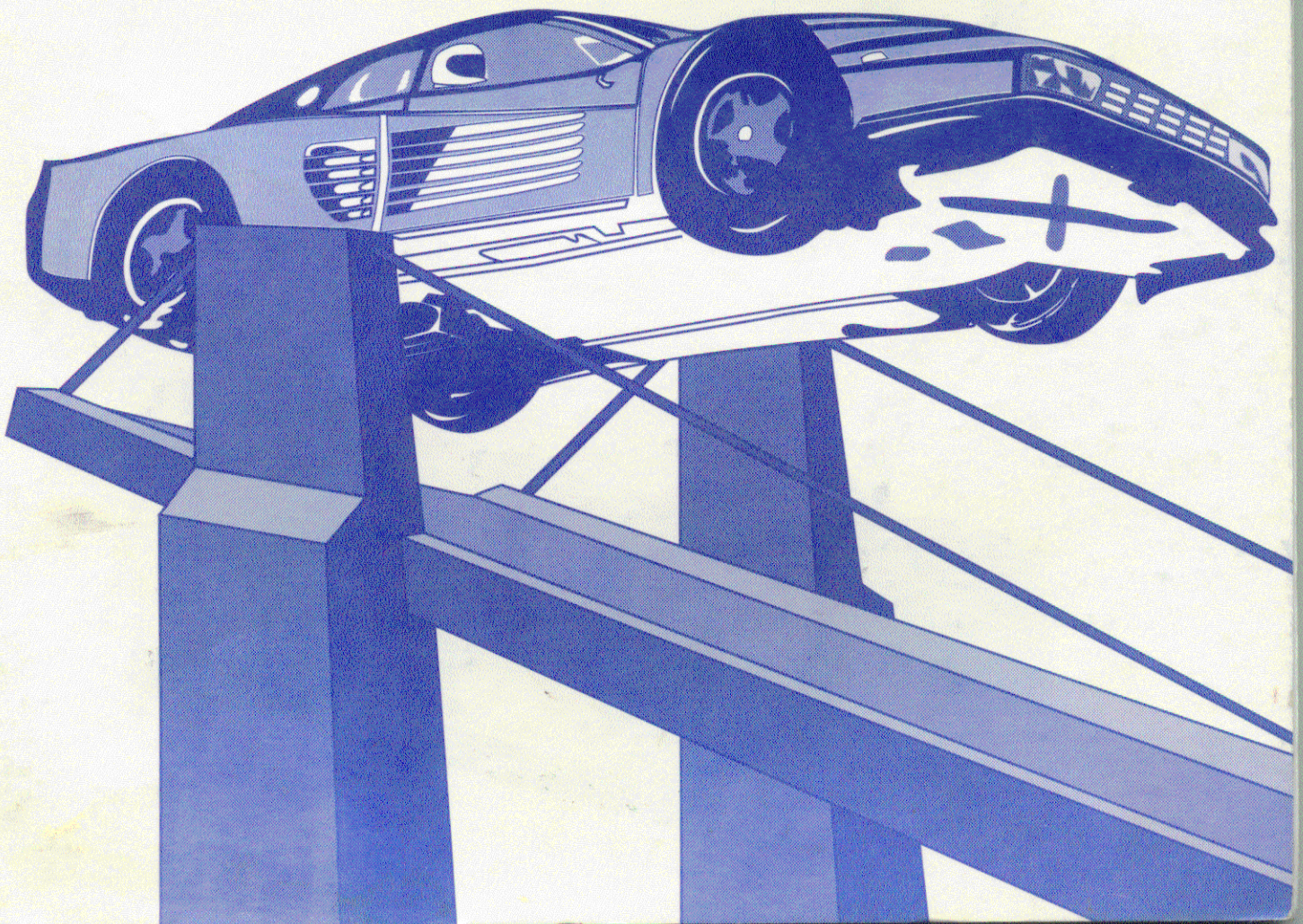




*Hard Drivin'*TM

Operator's Manual





For technical assistance:

If reading through this manual does not lead to solving your game maintenance or repair problem, call TELE-HELP® at one of these Atari Games Customer Service offices:

UNITED STATES

Atari Games Corporation
California Customer Service Office
737 Sycamore Drive
Milpitas, CA 95036-1110
Fax (408) 434-3945
Telex 5101007850
☎ (408) 434-3950

(Monday-Friday, 7:30 a.m.-4:00 p.m. Pacific time)

EUROPE

Atari Games Ireland Limited
European Customer Service Office
Tipperary Town, Ireland
Fax 062-51702
Telex 70665
☎ 062-52155

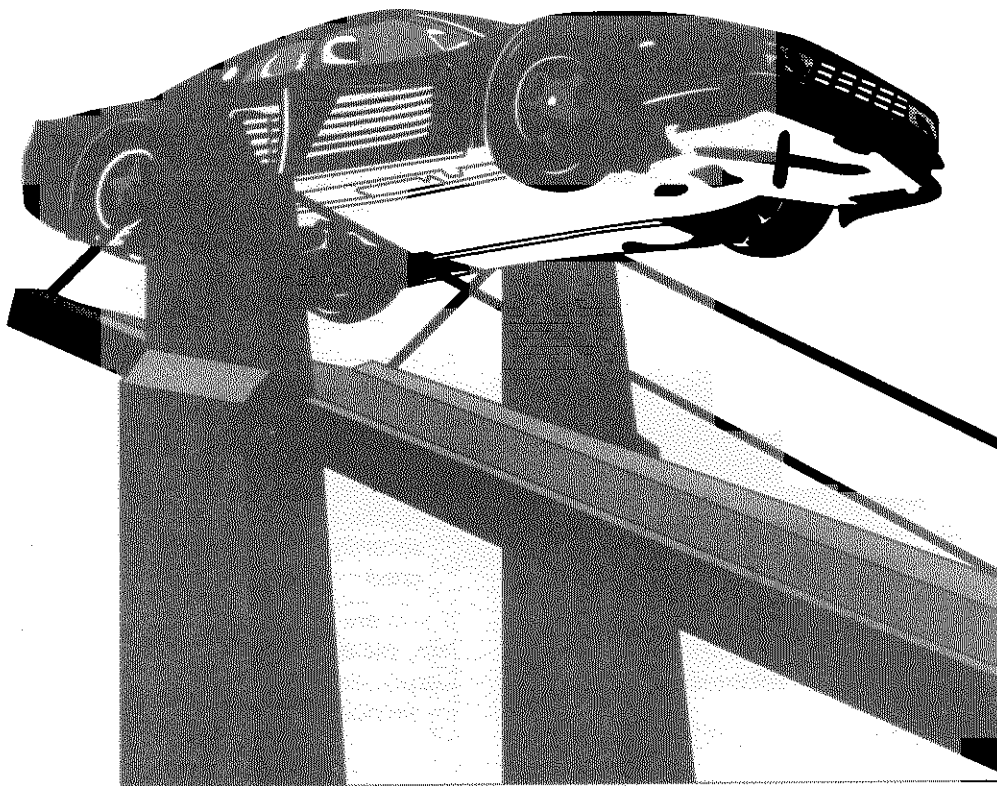
(Monday-Friday, 9:00 a.m.-5:30 p.m. GMT)



Hard Drivin'TM

OPERATOR'S MANUAL

with Illustrated Parts Lists



Patents are pending on several parts of the Hard Drivin' simulator.

Copyright © 1989 by Atari Games Corporation. All rights reserved.

No part of this publication may be reproduced by any mechanical, photographic or electronic process, or in the form of a phonographic recording, nor may it be stored in a retrieval system, transmitted, or otherwise copied for public or private use, without permission from the publisher.

The game play, all graphic designs, this technical manual, its accompanying schematic diagrams, and the display manual are protected by the U.S. Copyright Act of 1976.

This Act provides for substantial penalties for violating federal copyright laws. Courts can impound infringing articles while legal action is pending. If infringers are convicted, courts can order destruction of the infringing articles.

In addition, the Act provides for payment of statutory damages of up to \$50,000 per infringing transaction in certain cases. Infringers may also have to pay costs and attorneys' fees and face an imprisonment of up to five years as well as fines of up to \$250,000 in the case of individuals and up to \$500,000 in the case of corporations.

Atari Games Corporation will aggressively enforce its copyrights against infringers. We will use all legal means to immediately halt any manufacture, distribution, or operation of a copy of video games made by us. Anyone who purchases such copies risks forfeiting such a game.

Published by:
Atari Games Corporation
675 Sycamore Drive
P.O. Box 361110
Milpitas, California 95035

Printed in the U.S.A **3T**

Produced by the Atari Games Technical Publications Department.

Technical Writing: Rosalind Hutton
Editing and Design: Andrea Dencker
Illustration: Mary Ohanessian Sumner

Notice Regarding Non-Atari® Parts

WARNING

Use of non-Atari parts or modifications of any Atari game circuitry may adversely affect the safety of your game, and may cause injury to you and your players.

You may void the game warranty (printed on the inside back cover of this manual) if you do any of the following:

- Substitute non-Atari parts in the game.
- Modify or alter any circuits in the game by using kits or parts *not* supplied by Atari Games Corporation.

NOTE

This equipment generates, uses, and can radiate radio frequency energy, and if not installed and used in accordance with the instruction manual, may cause interference to radio communications. It has been tested and found to comply with the limits for a Class A computing device pursuant to Subpart J of Part 15 of Federal Communications Commission (FCC) Rules, which are designed to provide reasonable protection against such interference when operated in a commercial environment. Operation of this equipment in a residential area or modification to this equipment is likely to cause interference, in which case the user, at his own expense, will be required to take whatever measures may be required to correct the interference. If you suspect interference from an Atari game at your location, check the following:

- All ground wires in the game are properly connected as shown in the game wiring diagram.
- The power cord is properly plugged into a grounded three-wire outlet.
- On games provided with an Electromagnetic Interference (EMI) ground cage, be sure that the game printed-circuit boards (PCBs) are properly installed on the EMI ground cage and that the end board is securely installed with **all** screws in place and tightened.

If you are still unable to solve the interference problem, please contact Customer Service at Atari Games Corporation. See the inside front cover of this manual for service in your area.

Table of Contents

1 Set Up

How to Use This Manual	1-1
Operating the Simulator	1-2
Inspecting the Simulator	1-2
Installing the Attraction Sign Assembly	1-2
Adjusting the Glides	1-3
Control and Switch Locations	1-3
Setting the Coin and Game Options.....	1-4
Simulator Systems	1-4
Maximizing Earnings	1-4
Simulator Driving.....	1-4

2 Self-Test and Diagnostics

Automated Self Test	2-2
Program ROM and RAM Test	2-2
Microprocessor and Board Tests.....	2-3
Test Menu Screens	2-3
Operator Screens	2-4
Coin Options.....	2-4
Game Options.....	2-5
Custom Game Options	2-8
Statistics	2-9
Histogram	2-10
Error Count	2-10
Games Played by Day and Hour	2-10
Set Controls Screens	2-10
Control Inputs Screen	2-11
Monitor Test Patterns	2-12
Set Clock Screen	2-12
Disable Broken Controls Screen	2-13
Special Functions Screen	2-13
Main Board GSP Tests	2-14
Main Board MSP Tests	2-15
Main Board Controls.....	2-15
Steering Wheel Submenu	2-16
Shifter Test Screen	2-17
Main Board ROM Checksums	2-17
Main Board ZRAM Test	2-18
ADSP Board Tests	2-18
Sound Board	2-18
LEDs on the Main PCB	2-20
DIP Switches	2-20

3 Maintenance

Maintaining and Inspecting	3-2
Maintaining Your Simulator.....	3-2
Dashboard	3-2
Removing the Dashboard.....	3-2
Installing the Dashboard	3-3
Steering Assembly	3-4
Greasing the Steering Assembly	3-5
Replacing the Steering Assembly Potentiometer.....	3-5
Replacing the Steering Wheel Motor	3-9
Replacing the Steering Wheel Stop	3-11

Key Switch Assembly	3-11
Oiling the Key Switch Assembly.....	3-11
Replacing the Spring in the Key Switch Assembly...	3-11
Tightening the Screw in the Key Switch Assembly	
Actuator	3-12
Replacing the Switch on the Key Switch Assembly ...	3-12
Clutch Pedal	3-13
Maintaining the Clutch and Brake Pedals	3-15
Replacing the Clutch Potentiometer	3-15
Replacing the Clutch Springs	3-15
Brake Pedal	3-17
Repairing the Brake	3-17
Testing the Switch, Switch Acuator Distance, and Pedal Movement.....	3-17
Testing the Stain Gauge and the Strain Gauge Bonding...	3-18
Replacing the Brake Switch	3-19
Replacing the Brake Strain Gauge and Pedal Assembly	3-19
Gas Pedal Assembly	3-20
Lubricating the Gas Pedal	3-20
Rewinding the Gas Pedal Pulley Cable	3-20
Replacing the Gas Pedal Cable Spring	3-21
Replacing the Gas Pedal Potentiometer	3-21
Replacing a Broken Compression or Extension Spring on the Gas Pedal.....	3-21
Shifter Assembly	3-24
Installing a New Shifter Boot.....	3-24
Removing the Reverse Latch Pin	3-24
Replacing a Shifter Potentiometer.....	3-24
Replacing the Shifter Magnet or Plate	3-27
Seat Assembly	3-27
Replacing the Seat Rod End Bearings	3-28
Replacing Bearings on the Seat Pivot.....	3-29
Replacing Main Seat Bearings	3-31
Replacing the Gears on the Seat Assembly.....	3-32
Replacing the Small Gear	3-34
Replacing the Large Gear	3-34
Replacing the Magnet on the Seat Assembly	3-34
Replacing the Seat Potentiometer	3-35
Video Display	3-36
Removing the Video Display	3-36
Replacing the Video Display	3-36
Motor Amplifier Assembly	3-38
Removing the Motor Amplifier Assembly.....	3-38
Speakers	3-38
Removing a Speaker.....	3-38
Static-Sensitive Devices	3-38
Replacing Static-Sensitive Devices	3-38
Cleaning the Coin Mechanism	3-39
Cleaning the Interior Components	3-39

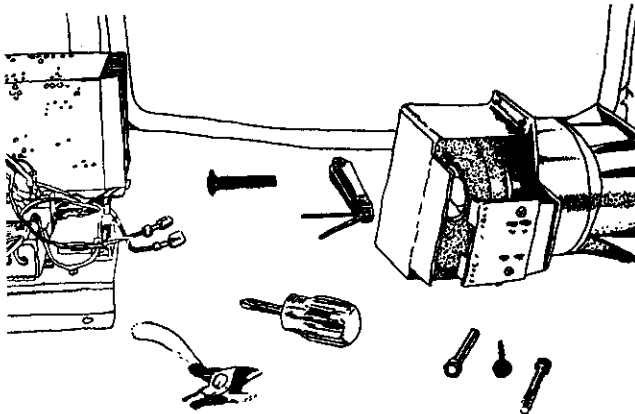
4 Illustrated Parts Lists

See the List of Illustrations that follows.

Statistics Sheet

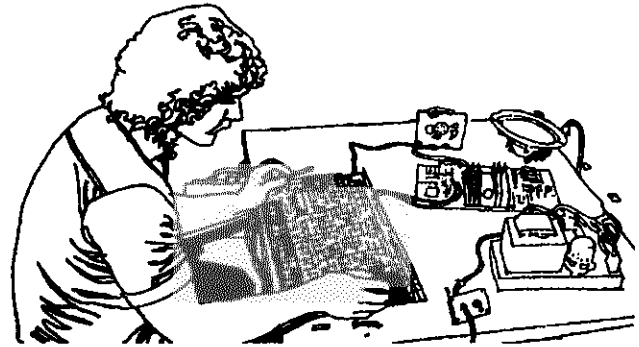
List of Illustrations

- | | | | | | |
|-------------|--|------|-------------|---|------|
| Figure 1-1 | Attraction Sign Installation | 1-3 | Figure 3-2 | Steering Wheel Has No Feedback and You Have Tried the <i>Set Controls</i> Screens | 3-6 |
| Figure 2-1 | Program ROM and RAM Test | 2-3 | Figure 3-3 | Steering Wheel is Turned All the Way to One Side and You Have Tried the <i>Set Controls</i> Screens | 3-7 |
| Figure 2-2 | Microprocessor and Board Tests | 2-3 | Figure 3-4 | Steering Wheel is Jerky and You Have Tried the <i>Set Controls</i> Screens | 3-8 |
| Figure 2-3 | Instructions for Test Menu Screen | 2-4 | Figure 3-5 | Maintaining the Steering Wheel | 3-10 |
| Figure 2-3 | Test Menu Screen | 2-4 | Figure 3-6 | Maintaining the Key Switch Assembly | 3-12 |
| Figure 2-5 | Coin Options Screen | 2-5 | Figure 3-7 | Clutch, Seat, or Gas Pedal is Not Working or Working Erratically and You Have Tried the <i>Set Controls</i> Screens | 3-14 |
| Figure 2-6 | Game Options Screen | 2-5 | Figure 3-8 | Maintaining the Clutch and Brake Assembly | 3-16 |
| Figure 2-7 | Custom Game Options Screen | 2-8 | Figure 3-9 | Brake is Not Working or Working Erratically and You Have Tried the <i>Set Controls</i> Screens | 3-18 |
| Figure 2-8 | Statistics Screen | 2-9 | Figure 3-10 | Rewinding the Gas Pedal Pulley Cable | 3-20 |
| Figure 2-9 | Histogram Screen | 2-10 | Figure 3-11 | Maintaining the Gas Pedal | 3-22 |
| Figure 2-10 | Games Played by Day and Hour Screen | 2-10 | Figure 3-12 | Shifter is Not Working or Working Erratically and You Have Already Tried the <i>Set Controls</i> Screens | 3-25 |
| Figure 2-11 | First <i>Set Controls</i> Screen | 2-11 | Figure 3-13 | Maintaining the Shifter | 3-26 |
| Figure 2-12 | Control Inputs Screen | 2-11 | Figure 3-14 | Seat is Not Locked When it Should Be and You Have Already Tried the <i>Set Controls</i> Screens | 3-29 |
| Figure 2-13 | Set Clock Screen | 2-12 | Figure 3-15 | Seat is Locked When it Should Not Be and You Have Already Tried the <i>Set Controls</i> Screens | 3-30 |
| Figure 2-14 | Disable Broken Controls Screen | 2-13 | Figure 3-16 | Maintaining the Seat Assembly | 3-33 |
| Figure 2-15 | Special Functions Screen | 2-13 | Figure 3-17 | Removing the Video Display | 3-37 |
| Figure 2-16 | GSP Tests Screen | 2-14 | Figure 4-1 | Cabinet-Mounted Assemblies | 4-2 |
| Figure 2-17 | MSP Tests Screen | 2-15 | Figure 4-2 | Seat Assembly | 4-8 |
| Figure 2-18 | Main Board Controls Screen | 2-15 | Figure 4-3 | Dashboard Assembly | 4-10 |
| Figure 2-19 | Pots: 8-Bit Screen | 2-16 | Figure 4-4 | Key Switch Assembly | 4-12 |
| Figure 2-20 | Pots: 12-Bit Screen | 2-16 | Figure 4-5 | Steering Assembly | 4-14 |
| Figure 2-21 | Steering Wheel Submenu Screen | 2-16 | Figure 4-6 | Shifter Assembly | 4-16 |
| | | | Figure 4-7 | Clutch and Brake Pedal Assembly | 4-18 |
| | | | Figure 4-8 | Gas Pedal Assembly | 4-20 |
| | | | Figure 4-9 | Coin Acceptors, Inc. Coin Door Assembly | 4-22 |
| | | | Figure 4-10 | Power Supply Assembly | 4-26 |
| | | | Figure 4-11 | Hard Drivin' Main PCB Assembly | 4-30 |
| | | | Figure 4-12 | APU PCB Assembly | 4-36 |
| | | | Figure 4-13 | Shifter PCB Assembly | 4-38 |
| | | | Figure 4-14 | Brake PCB Assembly | 4-40 |
| Figure 2-22 | Send Force Screen | 2-17 | | | |
| Figure 2-23 | Shifter Screen | 2-17 | | | |
| Figure 2-24 | ROM Checksums Screen | 2-17 | | | |
| Figure 2-25 | ADSP Board Tests Screen | 2-18 | | | |
| Figure 2-26 | ADSP ROM Checksums Tests Screen | 2-18 | | | |
| Figure 2-27 | Sound Board Tests Screen | 2-19 | | | |
| Figure 2-28 | Sound Board Sound Wave ROM Checksums Screen | 2-20 | | | |
| Figure 2-29 | DIP Switch and LED Locations on the Main PCB | 2-21 | | | |
| Figure 3-1 | Removing and Installing the Dashboard | 3-4 | | | |



List of Tables

Table 1-1	Simulator Specifications.....	1-2	Table 3-5	Troubleshooting the Key Switch.....	3-11
Table 2-1	Using the Self-Test Screens and Diagnostics	2-2	Table 3-6	Troubleshooting the Clutch Pedal	3-13
Table 2-2	Coin Option Settings	2-4	Table 3-7	Troubleshooting the Brake Pedal	3-17
Table 2-3	Game Option Settings	2-5	Table 3-8	Troubleshooting the Gas Pedal Assembly	3-21
Table 2-4	All Screens Appearing in the Self-Test	2-6			
Table 2-5	Custom Game Option Settings.....	2-8			
Table 2-6	When to Use the Special Function Items	2-14			
Table 2-7	Program ROM Locations.....	2-18			
Table 2-8	ADSP Scope Loop Diagnostic Tests.....	2-19			
Table 2-9	LED Status	2-20			
Table 2-10	Using the DIP Switches	2-22			
Table 3-1	Maintenance and Inspection Items.....	3-2			
Table 3-2	Troubleshooting All Controls	3-3			
Table 3-3	Voltage Inputs and Test Points on the Simulator PCBs	3-3			
Table 3-4	Troubleshooting the Steering Assembly	3-5			
			Table 3-9	Troubleshooting the Shifter Assembly	3-24
			Table 3-10	Troubleshooting the Seat Assembly...	3-28
			Table 3-11	Troubleshooting the Video Display ...	3-36
			Table 3-12	Troubleshooting the Speakers.....	3-38



Safety Summary

The following safety precautions apply to all game operators and service personnel. Specific warnings and cautions will be found in this manual whenever they apply.

WARNING

Properly Ground the Game. Players may receive an electrical shock if this game is not properly grounded! To avoid electrical shock, do not plug in the game until it has been inspected and properly grounded. This game should only be plugged into a grounded three-wire outlet. If you have only a two-wire outlet, we recommend you hire a licensed electrician to install a three-wire grounded outlet. If the control panel is not properly grounded, players may receive an electrical shock! After servicing any part on the control panel, check that the grounding wire is firmly secured to the inside of the control panel. After you have checked this, lock up the game.

AC Power Connection. Before you plug in the game, be sure that the game's power supply can accept the AC line voltage in your location. The line voltage requirements are listed in the first chapter of this manual.

Disconnect Power During Repairs. To avoid electrical shock, disconnect the game from the AC power before removing or repairing any part of the game. If you remove or repair the video display, be very careful to avoid electrical shock. High voltages continue to exist even after power is disconnected in the display circuitry and the cathode-ray tube (CRT). Do not touch the internal parts of the display with your hands or with metal objects! Always discharge the high voltage from the CRT before servicing it. Do this after you disconnect it from the power source. First, attach one end of a large, well-insulated, 18-gauge jumper wire to ground. Then momentarily touch the free end of the grounded jumper wire to the CRT anode by sliding the wire under the anode cap. Wait two minutes and do this again.

Use Only Atari Parts.
To maintain the safety of

your Atari game, use only Atari parts when you repair it. Using non-Atari parts or modifying the game circuitry may be dangerous, and could injure you and your players.

Handle the CRT With Care. If you drop the CRT and it breaks, it may implode! Shattered glass from the implosion can fly six feet or more.

Use the Proper Fuses. To avoid electrical shock, use replacement fuses which are specified in the parts list for this game. Replacement fuses must match those replaced in fuse type, voltage rating, and current rating. In addition, the fuse cover must be in place during game operation.

CAUTION

Properly Attach All Connectors. Make sure that the connectors on each printed circuit board (PCB) are properly plugged in. The connectors are keyed to fit only one way. If they do not slip on easily, do not force them. If you reverse a connector, it may damage your game and void your warranty.

Ensure the Proper AC Line Frequency. Video games manufactured for operation on 60 Hz line power (used in the United States) must not be operated in countries with 50 Hz line power (used in Europe). If a 60 Hz machine operates on 50 Hz line power, the fluorescent line ballast transformer will overheat and cause a potential fire hazard. Check the product identification label on your machine for the line frequency required.

ABOUT NOTES, CAUTIONS, AND WARNINGS

In Atari publications, notes, cautions and warnings have the following meaning:

NOTE — A highlighted piece of information.

CAUTION — Equipment and/or parts can be damaged or destroyed if instructions are not followed. You will void the warranty on Atari printed-circuit boards, parts thereon, and video displays if equipment or parts are damaged or destroyed due to failure of following instructions.

WARNING — Players and/or technicians can be killed or injured if instructions are not followed.



Chapter 1

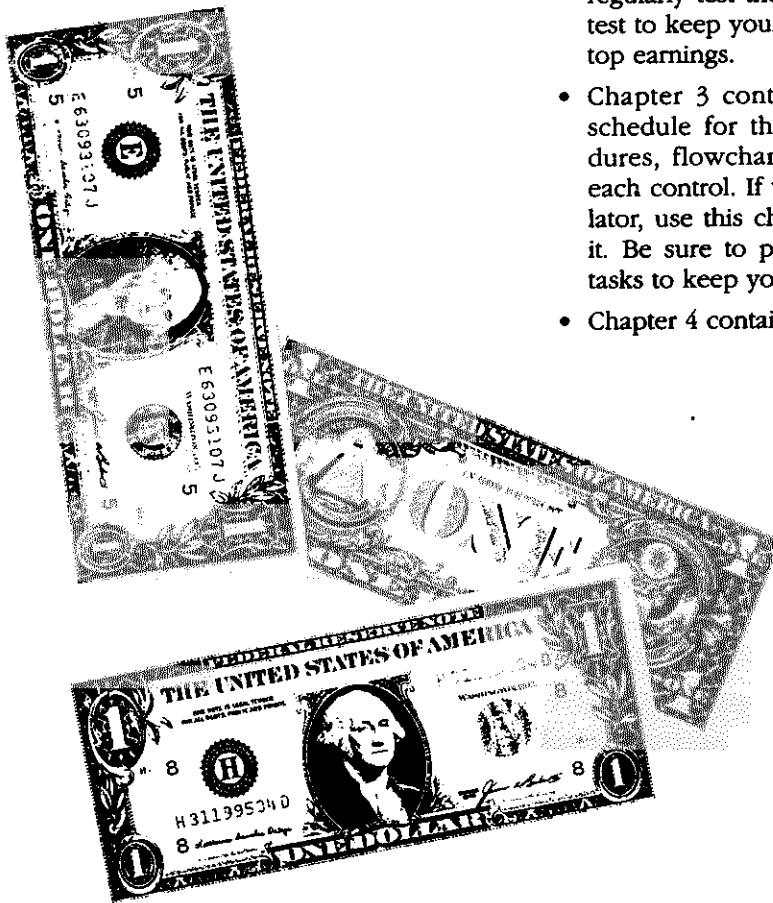
Set-Up

How to Use This Manual

This manual is written for operators and service personnel. It provides information for setting up, driving, testing, and maintaining your Hard Drivin™ simulator.

The manual is divided into the following chapters:

- Chapter 1 contains set-up and simulator driving information.
- Chapter 2 contains self-test procedures and additional diagnostic tests. The self-test is important in the Hard Drivin' simulator. You can troubleshoot the PC boards, main circuits, and controls using the more than 60 screens in the self-test. You should regularly test the boards and controls with the self-test to keep your simulator in peak condition and at top earnings.
- Chapter 3 contains the preventive maintenance schedule for the simulator and the repair procedures, flowcharts, and troubleshooting tables for each control. If you have problems with your simulator, use this chapter to troubleshoot and to repair it. Be sure to perform the preventive maintenance tasks to keep your simulator in good condition.
- Chapter 4 contains the illustrated parts lists.



Operating the Simulator

To operate your simulator for maximum income, make sure your players know that the simulator is designed to be driven like a real car. You should regularly do the automated self-test and check the controls with the *Control Inputs* screen in the self-test. By using the self-test regularly, you can find and fix problems immediately. This lets you keep your simulator in top condition.

NOTE

If you are installing a new PC board or a control in your simulator, go through the Set Controls screen in the self-test. This is explained in Chapter 2.

If you turn on your simulator and you see a screen that says Initialize Pot Inputs instead of the attraction screens, then reset the controls by following the instructions on the screens that appear.

Inspecting the Simulator

WARNING

To avoid electrical shock, do not plug in the cabinet until it has been properly inspected and set up for the line voltage in your area.

This cabinet should be connected to a grounded three-wire outlet only. If you have only two-wire outlets, we recommend that you hire a licensed electrician to install grounded outlets. Players can receive an electrical shock if the cabinet is not properly grounded.

Inspect your Hard Drivin' simulator carefully to ensure that the simulator is complete and was delivered to you in good condition.

Inspect the cabinet and seat as follows:

1. Examine the exterior of the cabinet for dents, chips, or broken parts.
2. Open the lower service door and the small top service panel. (Leave this top panel open so you can install the attraction sign.) Unlock and open the coin doors. Inspect the interior of the cabinet as follows:
 - a. Check that all plug-in connectors on the cabinet harnesses are firmly plugged in. Do not force connectors together. The connectors are keyed so they fit only in the proper orientation. A reversed connector can damage a printed-circuit board (PCB). This will void your warranty.

Table 1-1 Simulator Specifications

Characteristic	Specification
Power Consumption	635 W maximum
Line Fuse Rating	7 Amps
Line Voltage	102 to 132 VAC
Temperature	5° to 38° C (37° to 100° F)
Humidity	Not to exceed 95% relative
Width	31 1/2 in. (81 cm.)
Depth (seat pushed in)	62 1/2 in. (160 cm.)
Height	77 in. (197 cm.)
Weight	750 lbs. (341 kg.)

- b. Ensure that all plug-in integrated circuits on each PCB are firmly plugged into their sockets.
- c. Inspect the power cord for any cuts or dents in the insulation.
- d. Inspect the power supply. Make sure that the correct fuses are installed. Check that the harness is plugged in correctly and that the fuse block cover is mounted in place. Check that the green ground wires are connected.
- e. Inspect other sub-assemblies, such as the video display, controls, printed-circuit boards (PCBs), and speakers. Make sure that they are mounted securely and that the ground wires are connected.

Installing the Attraction Sign Assembly

The attraction sign assembly is shipped uninstalled with the simulator. Mount the sign on the back of the cabinet as shown in Figure 1-1.

The hardware for assembling the sign and for mounting it is shipped in the cash box. This hardware consists of ten 1/4-20 button-head screws 2 inches long with black washers.

1. Lay the attraction sign face down on a clean surface where it will not be scratched.
2. Lay the H-shaped attraction frame on top of the sign. Put the short ends of the H on top of the sign. The harness connection in the leg should face the sign. Attach the harness from the sign to the harness in the leg. Push the extra wires inside the leg of the attraction frame.
3. Install six screws and washers through the attraction frame and into the attraction sign. Tighten the screws.

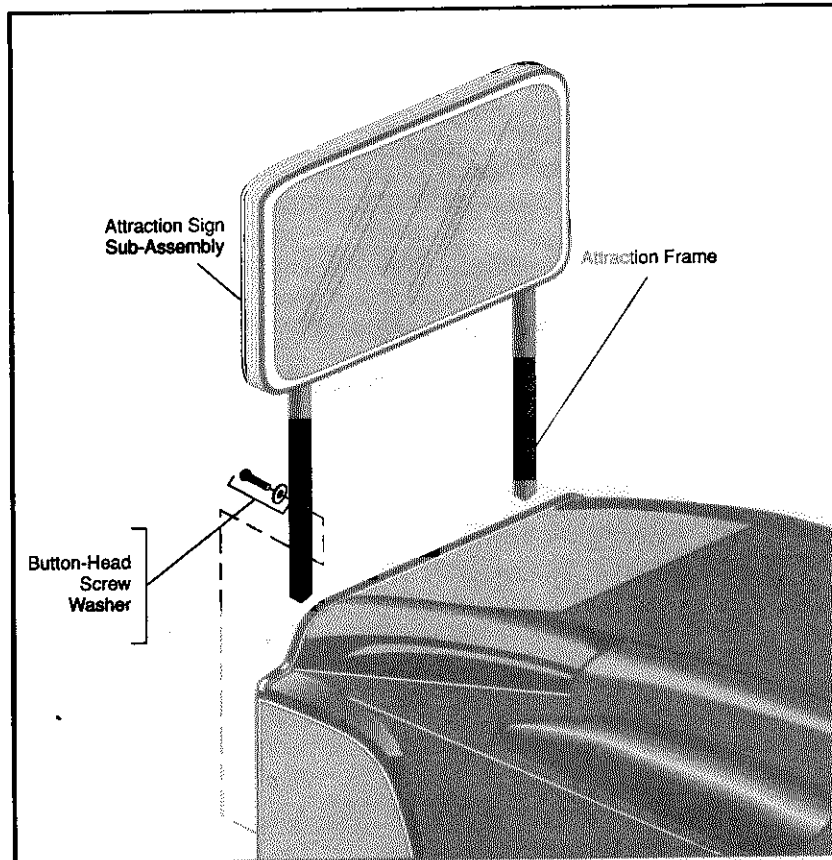


Figure 1-1 Attraction Sign Installation

Now install the attraction sign assembly on the back of the simulator. You need the other four screws and flat washers.

4. Open the small top rear panel of the simulator if you have not done so already.
5. Connect the simulator harness to the harness in the left leg of the sign. Now push the extra wires back inside the simulator. Be careful that the harness does not lie on the motor amplifier assembly, mounted on the side of the cabinet.
6. Put the attraction sign against the cabinet, and line up the four holes in the legs with the four holes in the cabinet.
7. Put the button-head screws and black washers into the legs, and screw them into the threaded holes.

Adjusting the Glides

After you move the simulator into location, screw out the adjustable glides in the base to support it. The Hard Drivin' simulator is heavy, and if you do not put down the glides, the casters may be damaged.

Before you move the simulator, retract the glides so they are not damaged.

Control and Switch Locations

Power On/Off Switch

The power on/off switch is located at the bottom rear of the cabinet.

Volume Control

The volume control is located behind the upper coin door.

Self-Test Switch

The self-test switch is located behind the upper coin door. See Chapter 2 for a complete description of the self-test.

Auxiliary Coin Switches

An auxiliary coin switch is located on the component bracket behind the upper coin door. Use the auxiliary coin switch to give players coin credits.

Coin Counter

The coin counter is located behind the upper coin door. The coin counter records the number of coins deposited. It does not count the credits given by the auxiliary coin switch.

Setting the Coin and Game Options

The Hard Drivin' coin and game options are set in the self-test. Refer to Chapter 2 for the recommended settings and the procedure for setting the options.

Simulator Systems

The Hard Drivin' simulator uses seven PCBs to give a realistic look and feel to the driving. These PCBs are the main PCB, the ADSP PCB, the motor amplifier PCB (with two motor amplifier driver PCBs), the shifter

PCB, the brake PCB, the audio and power PCB (mounted on the power supply assembly), and the sound PCB. These PCBs control simulator software, the video display, and the controls.

The main PCB, which is the largest, holds the 68010, the GSP, and the MSP microprocessor systems. The 68010 system contains program RAM and ROM. The GSP (Graphic Systems Processor) microprocessor system controls the video RAMs (VRAMs). The MSP (Model Systems Processor) microprocessor system performs all the math functions.

The ADSP board and the sound board are mounted with the main PCB. The motor amplifier PCB is mounted in a heatsink assembly located on the driver's left. It controls the steering wheel motor. The shifter PCB is located on the driver's right and controls the gear shifter effects. The brake PCB is located on the brake and clutch pedal assembly and controls the braking effects.

Maximizing Earnings

For maximum earnings, regularly maintain your Hard Drivin' simulator following the instructions in Table 3-1, in Chapter 3.

When you set up the simulator and when you collect

money, perform the automated self-test and check the controls with the *Control Inputs* screen in the self-test.

Simulator Driving

This section describes the features and driving of the Hard Drivin' simulator.

Introduction

Slide into the contoured seat and adjust it to fit the length of your arms and legs. Put your feet on gas and clutch pedals and try the stick shift. Select manual or automatic transmission, turn the ignition key and you're off!

It's the ride of your life. You feel the tires grip the road when you take a wide turn at high speed. You're alerted to the smallest change in the road by the feedback steering. You catch air as you fly the draw bridge and land on the down ramp. You control the car as it holds the road on the dizzying vertical loop.

Driving Mode

Hard Drivin' might look like an arcade game but it drives like a real car. For the best lap times, drive Hard Drivin' as if it were a real car. The main difference between Hard Drivin' and a real car is that Hard Drivin' is much safer to drive. A player can test the limits of our car and his skill with no risk of personal injury, and follow a course that does not exist anywhere in the real world.

After inserting the proper number of coins to start the simulator, the player can select either an automatic or manual transmission. Turning the ignition key starts the simulator.

Drivers can choose between the stunt track or the speed track by following the posted signs on the road. Each player has a certain (operator-selectable) amount of time to reach a checkpoint or the finish line. Crossing checkpoints and the finish line rewards the player with (operator-selectable) bonus driving time.

With Hard Drivin' a player can test drive a high-powered sports car on a real stunt course. He can jump a draw bridge, negotiate a high-speed banked turn and drive a 360-degree vertical loop. These thrilling stunts, among others, provide the ultimate realistic driving experience.

Or maybe high-speed driving is a particular player's type of excitement. He can "put the pedal to the metal" and try to keep control around the corners, weaving in and out of traffic while avoiding oncoming cars. All this, and more, await the player behind the wheel of Hard Drivin'.

Players especially enjoy the unique instant replay feature on Hard Drivin'. Every time a player crashes, the

simulator records and replays the crash sequence. Not only will the player find this entertaining, but it is also informative. The instant replay shows the player exactly what he did wrong and why he crashed. (If a player wants to skip the instant replay, he can press the abort switch or turn the key when the replay starts.)

A skilled player finds the ultimate competition in the "challenge" lap (or "grudge match" as we at Atari Games like to call it). The simulator remembers the path of the car driven by the best driver on record. When a player beats the qualifying lap time, he chal-

lenges the car of the past winner in a head-to-head race.

Hard Drivin' is equipped with center-feel steering with continuous force feedback, adjustable swivel seat, gas, brake and clutch pedals, four-speed stick shift, and a medium-resolution monitor.

You can add two after-market options to your simulator, a dollar bill acceptor and an overhead video display assembly. Atari Games is also making a limited edition of right-hand-drive Hard Drivin' available. Contact your local Atari Games distributor for further information.

Self-Test and Diagnostics

The *Hard Drivin'* simulator is a complex machine. To keep it at peak efficiency and maximum earnings, you should regularly check the controls, RAMs, ROMs, PCBs, and microprocessor systems. You can check all of these when you switch on the self-test. Also in the self-test you can check the video display, the statistics, and set the internal clock.

If you cannot use the self-test because the screen is dark, you can use a DIP switch on the main PCB to find the source of the problem. If you are having electronic problems, you can check the state of various signals with the LEDs on the main PCB.

You should regularly check the following screens and information. We recommend you check these when you first set up the simulator, each time you collect money, or when the simulator is not working correctly.

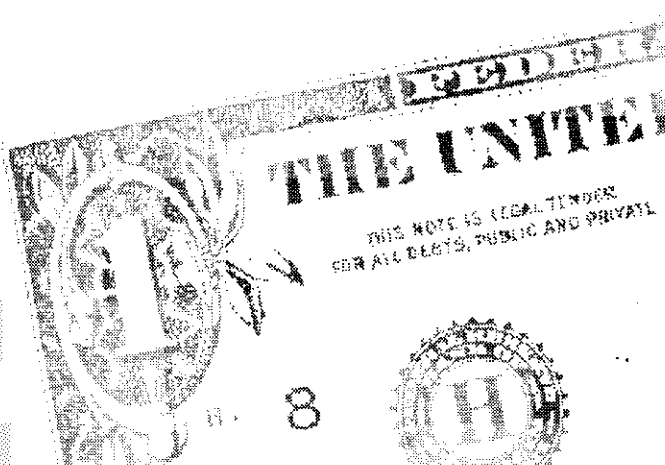
- Use the automated self-test, which begins automatically when you turn on the self-test to test the program RAMs and ROMs, the video RAMs, color RAMs, the MSP microprocessor system, the ADSP PCB, and the sound PCB. The test takes about 5 minutes to run.
- Check the *Control Inputs* screen, which you choose from the *Test Menu* screen. This shows the voltage input to the main PCB from the steering wheel, brake pedal, gas pedal, clutch pedal, seat, and shifter. With this information you can easily check how the controls are working.

NOTE

If the control inputs are wrong, your earnings may drop, since the realistic driving feel is lost.

- Check the *Statistics*, *Histogram*, and *Games Played by Day and Hour* screens which show the statistical information about how and when your simulator is played.

Table 2-1 shows you what tests and screens to use at different times and for different problems.



Automated Self-Test

When you enter the self-test, the simulator automatically tests the program ROM and RAM, the video RAM, the color RAM, the MSP microprocessor system, the ADSP PC board, and the sound PC board. This test takes about five minutes (unless you bypass the test as described in the next paragraph).

NOTE

If you do not see anything on the video display screen, you may have a video display problem or a simulator system problem. See DIP Switches at the end of this chapter to diagnose the problem.

If you do not want to wait for the systems and PCBs to be tested, then skip these tests by turning the key switch while in the program ROM and RAM screen, Figure 2-1. If you want to go to the attract mode, just turn off the self-test switch.

Program ROM and RAM Test

When you enter self-test, the simulator tests the program ROM and RAM. The screen in Figure 2-1 shows the results of a program ROM and RAM test.

The top of the screen shows the ROM test result. The numbers on the left and the letters on the top of the screen show the locations of the ROMs on the main PCB. If a white box appears, then the ROM there is good. If an empty box appears (as shown at 200U and

Table 2-1 Using the Self-Test Screens and Diagnostics

Problem or Type	Explanation
Automated Self-Test	When you switch on the self-test, the automated self-test is performed. This tests the program RAM and ROM and the PCBs. You can skip the self-test by turning and holding the key as soon as you enter the self-test. If you cannot run the self-test at all, use the DIP switches to diagnose the problem. These are explained at the end of this chapter.
Test Menu	Appears after the automated self-test. Select tests and information on this screen.
Regular Maintenance	Regularly do the following: 1. Do the automated self-test. 2. Check the <i>Operator Screens</i> . 3. Go to the <i>Control Inputs</i> screen to test the controls.
Game Set-Up	When you first set up your game, do the following: 1. Do the automated self-test. 2. Make sure the options on the <i>Operator Screens</i> are set correctly for your location, or set to the defaults. 3. Go to the <i>Control Inputs</i> screen to test the controls. 4. Set the clock, if necessary, using the <i>Set Time</i> screen.
Control Problem	1. Do the <i>Set Controls</i> screens. 2. If that does not correct the problem, go to the <i>Control Inputs</i> screen and see if the input from the control changes as you use the control. 3. Go to Chapter 3 and check the troubleshooting table and maintenance information for that control. 4. If the shifter, brake, clutch, or seat potentiometer is broken and you cannot fix it immediately, but still want to operate the game, turn off the control circuit in the <i>Disable Broken Controls</i> screen.
Video Display Problem	1. Try the <i>Monitor Test Patterns</i> screens. 2. If you cannot go into the self-test or the screen is dark, use the DIP switch diagnostics.
Electronics Problems	1. Do the automated self-test. 2. Choose the <i>Special Functions</i> screen that applies to your problems: the GSP, MSP, program ROM, ADSP PC board, or sound PC board test.
Game Clock	Use the <i>Set Time</i> screen to set the internal game clock. This time is used in the statistics screen that shows games played by day and time and in the schedule for clearing the high score table.
Cannot Enter the Self-Test	Use the DIP switches and the LEDs to diagnose the problem. These are explained at the end of the chapter.

210U), then the ROM there is bad. If nothing appears, then nothing was tested there.

The RAMs are tested after the ROMs. If the RAMs have no errors, then you see the message *Program RAM OK*. If the test finds an error, then you see *Bad Program RAM At* with the bad RAM location listed.

This screen disappears after a few seconds and the self-test continues. However, the screen with the results of the complete self-test, shown in Figure 2-2, will show the message *Bad Program ROM* (or *Bad Program RAM*) if it found an error in the program ROMs or RAMs.

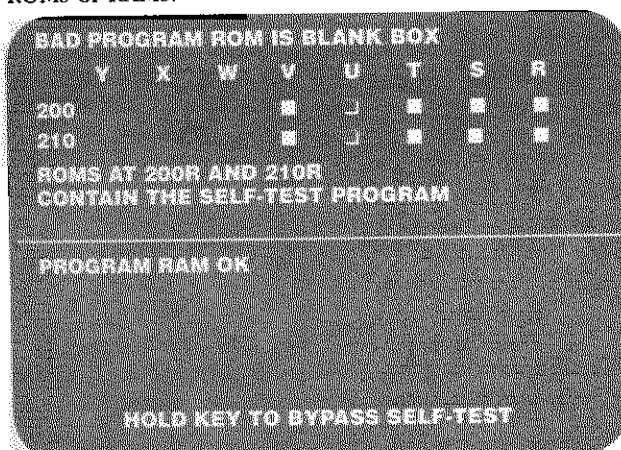


Figure 2-1 Program ROM and RAM Test Screen

Microprocessor and Board Tests

After checking the program RAM and ROM, the automated self-test checks the simulator's microprocessor and PC boards. It tests the video RAM and color RAM in the GSP microprocessor system, the DRAM in the MSP microprocessor system, the ADSP board, and the sound board. The test takes four to five minutes. You see the screen in Figure 2-2 when the test finishes.

If the system or board is good, *OK* follows the test name. If it is bad, the word *Bad* precedes the name of the board or system (except for the ADSP board test, which gives more information). If you have a bad system or board, then choose *Special Functions* from the test menu, choose the appropriate system or board tests from the special functions menu, and read the description of the tests in this chapter.

A brief description of each microprocessor and board test performed in the self-test is below.

PROGRAM ROM: Described above.

PROGRAM RAM: Described above.

GSP VRAM: Uses the Simple GSP VRAM Test. (Described in the section *Main Board GSP Tests*.)

GSP COLOR RAM: Uses the GSP Color RAM Test. (Described in the section *Main Board GSP Tests*.)

MSP DRAM: Uses the MSP Verify Test. (Described in the section *Main Board MSP Tests*.)

ADSP Board: Tests the ADSP board memory and the ADSP-2100. Most of the error messages are self-explanatory. (*Does Not Respond* generally indicates a missing board.)

Sound Board: Tests the program ROM and RAM on the sound PC board. If any are bad, the message *Bad Sound Board* appears on the screen.

Sound Wave ROMs: Tests the ROMs that have the sound waveform data. If any are bad, the message *Bad Sound Wave ROMs* appears on the screen.

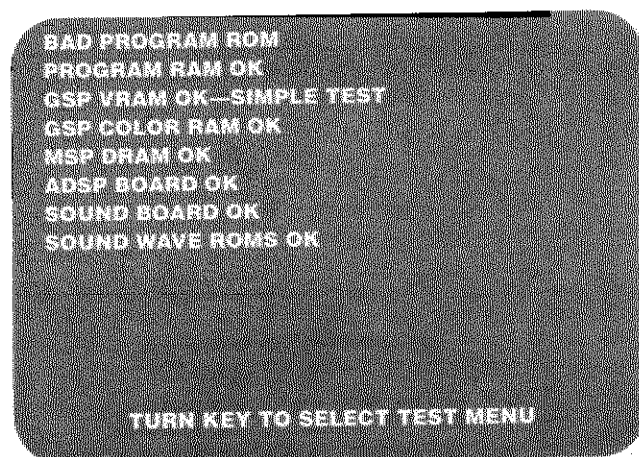


Figure 2-2 Microprocessor and Board Tests Screen

Test Menu Screens

After the microprocessor and board test is finished, or you bypass it, turn the key to see the test menu screens. Turn the key once to see the screen with the instructions for moving and choosing in the test menu, shown in Figure 2-3. Turn the key again to see the test menu.

To move down the menu, press the left coin switch. To move up the menu, press the right coin switch. You can choose the test menu item with the white letters by turning the key.

The test menu, shown in Figure 2-4, is the most important screen in the self-test. Use this screen to choose the other screens and tests in the self-test. If you choose any item on this test menu, a new screen on that subject appears. Table 2-4 shows all the screens that appear in the self-test.

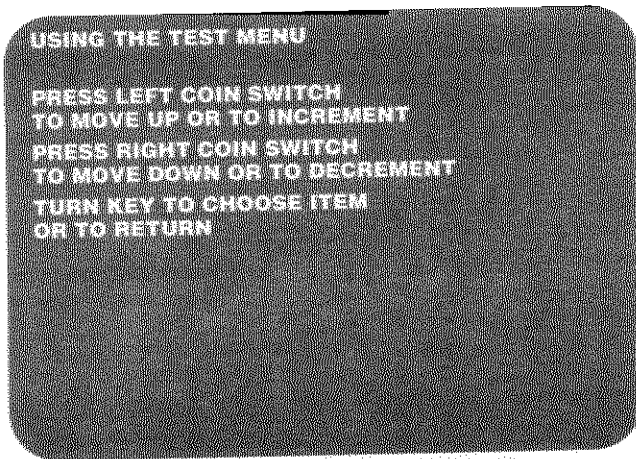


Figure 2-3 Instructions for Test Menu Screen

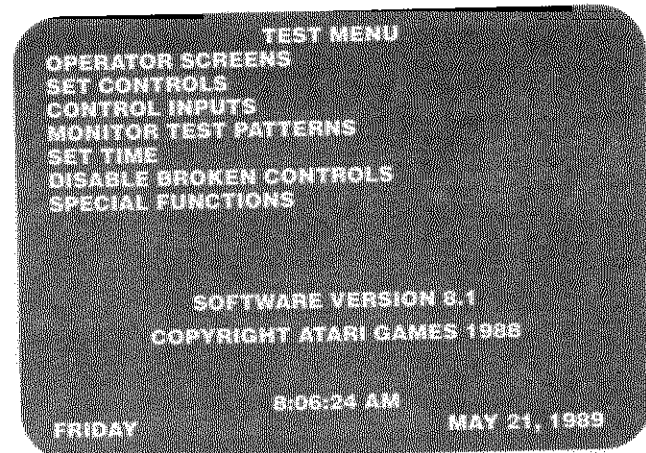


Figure 2-4 Test Menu Screen

Operator Screens

Choose the operator screens in the test menu by turning the key while the words *Operator Screens* are in white. (For information about moving in and choosing from the menu, see the section above.)

If you are in the operator screens and want to go to the attract mode, first turn the key to go through the remaining operator screens. When you return to the test menu, turn off the self-test switch.

These are the screens in the operator screens sub-menu:

- Coin Options
- Game Options
- Game Statistics
- Histogram of Game Times
- Error Count
- Games Played by Day and Hour

Coin Options

The coin options are the first operator screen (see Figure 2-5). To move and choose in this screen, do the following:

- To move up or down the list, press the right or left coin switch.
- To change a setting, press the abort button and either coin switch.
- To return to the setting originally on the screen, press the abort button and turn the key.
- To exit the screen, turn the key.

You can change an option when it is enclosed in the blue box. The default setting of each option is green. The other settings are blue when you select that option. (The other settings are white when the option is *not* selected.) The possible settings are shown in Table 2-2.

The coin options are explained below.

- *Coin Mode* is the number of coins required for one credit.
- *Right Mech Multiplier* is the number of coins each coin counts as in the right coin mechanism.
- *Left Mech Multiplier* is the number of coins each coin counts as in the left coin mechanism.
- *Bonus Adder* lets you choose bonus coins, no bonus, or free play.

Table 2-2 Coin Option Settings

Option	Available Settings
Coin Mode	1 coin/1 credit 2 coins/1 credit 3 coins/1 credit ♦ 4 coins/1 credit
Right Mech Multiplier	1 coin counts as 1 coin ♦ 1 coin counts as 4 coins 1 coin counts as 5 coins 1 coin counts as 6 coins
Left Mech Multiplier	1 coin counts as 1 coin ♦ 1 coin counts as 2 coins
Bonus Adder	No bonus adder ♦ 2 coins give 1 extra coin 4 coins give 1 extra coin 4 coins give 2 extra coins 5 coins give 1 extra coin 3 coins give 1 extra coin Free Play

♦ *Manufacturer's recommended settings*

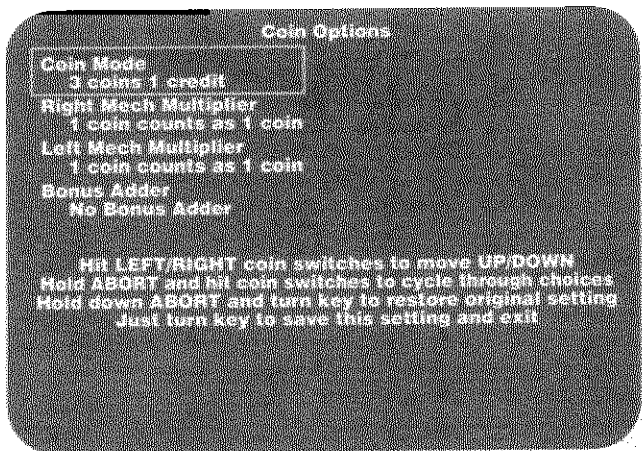


Figure 2-5 Coin Options Screen

Game Options

Use this screen to set the game difficulty and various other operator options explained below. The screen is shown in Figure 2-6, and a table of the options is shown in Table 2-3.

To move and choose in this screen, do the following:

- To move up or down the list, press the right or left coin switch.
- To change a setting, press the abort button and either coin switch.
- To return to the setting that was originally on the screen, press the abort button and turn the key.
- To exit the screen, turn the key.

You can change an option when it is inside the blue box. The default setting of each option is green. The other settings are blue when the option is selected. (The other settings are white when the option is *not* selected.)

- *Game Difficulty* sets the game difficulty for the

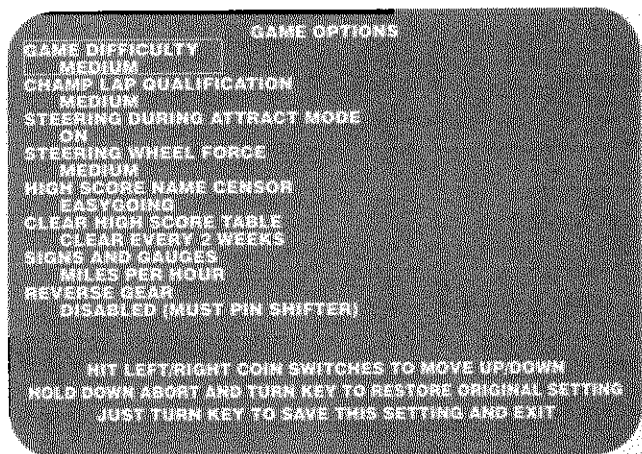


Figure 2-6 Game Options Screen

Table 2-3 Game Option Settings

Option	Available Settings	
Game Difficulty	Easy	Medium ♦
	Hard	Very Hard
	Custom	
Champ Lap Qualification	Easy	Medium ♦
	Hard	Very Hard
Steering During Attract Mode	On ♦	Off
Steering Wheel Force	Very Light	Light
	Medium	Stiff ♦
High Score Name Censor	Easygoing ♦	Strict
Clear High Score Table	Don't Clear	Clear Now
	Clear Every Week	
	Clear Every 2 Weeks ♦	
Signs and Gauges	Miles per Hour ♦	
	Kilometers per Hour	
Reverse Gear	Disabled ♦	Enabled

♦ Manufacturer's recommended settings

drivers. The settings are shown in Table 2-3. The *custom* setting lets you choose the actual amount of time the players receive. We suggest you use the preset factory setting (easy, medium, hard, and very hard), not the custom setting.

- *Champ Lap Qualification* sets the difficulty of qualifying for the championship lap.
- *Steering During Attract Mode* allows you turn the movement of the steering wheel on or off while the simulator is in the attract mode.
- *Steering Wheel Force* is the amount of force exerted by the steering assembly motor on the steering wheel.
- *High Score Name Censor* controls a program to censor names entered on the high score table. The program deletes letters in possibly objectionable words in the high score table.
- *Clear High Score Table* clears the high score table at the time chosen. You can choose not to clear the table, clear it now, clear every week, or clear every two weeks. If you choose clear every week or clear every two weeks, the table is cleared when the simulator is turned on after Wednesday midnight every week or every second week. Be sure your simulator clock is set correctly so the table clears at the right time.
- *Signs and Gauges* allows you to choose whether the signs and gauges are displayed in kilometers or miles.

Table 2-4 All Screens Appearing in the Self-Test

Screen	Use
<i>Automated Self Test</i>	
Program RAM and ROM	Tests the program RAM and ROM.
Automated Self-Test Results	Shows results of the program RAM and ROM, VRAM, color RAM, MSP DRAM, ADSP PCB, and sound PCB tests.
<i>Test Menu Screens</i>	
Instructions for Test Menu	Information about using the test menu.
Test Menu	List of available tests and information you can choose.
<i>Operator Screens</i>	
Coin Options	Sets the coin options.
Game Options	Sets the game options, controls the high score table and steering in the attract mode.
Custom Game Options	Use preset game options first.
Statistics	Shows game statistics.
Histograms	Shows game histograms, and number of games by length of play.
Error Count	Shows the error count from the PC boards. Used by the factory for debugging.
Games Played by Day and Hour	The simulator clock must be set correctly to get maximum use from this screen.
<i>Set Controls</i>	
Initialize Pot Inputs	Use if you are having any control problems or replace or repair a control or a PCB. Initializes all the simulator potentiometers.
Initialize Steering Limits	Sets the steering limits.
Initialize Shifter Limits	Sets the shifter limits.
Initialize Seat Limits	Sets the seat movement limits.
Initialize Force Brake	Sets the limit on the force on the brake.
<i>Control Inputs</i>	Check this screen <i>regularly</i> to make sure your controls are operating correctly.
<i>Monitor Test Patterns</i>	
Color Bars	Use these screens to check the performance of your video display. Shows the video display colors.
Monitor Brightness	Shows the brightness adjustment.
Grey Scale	Shows the grey scale of the video display.
B/W Dots	Shows convergence and focus of the video display.
B/W Grid	Shows convergence and focus of the video display.
Diagonal Lines	Shows linearity of the video display.
Full Screen Grey	Shows the color purity of the video display.
Full Screen White	Shows the color purity of the video display.
Full Screen Red	Shows the color purity of the video display.
Full Screen Green	Shows the color purity of the video display.
Full Screen Blue	Shows the color purity of the video display.
Monitor High Voltage Test	Checks the regulation of the high voltage to the video display.
Scrolling Test	Checks the scrolling mechanism of the GSP microprocessor.
<i>Set Clock</i>	Set the time so that you can get maximum use from the <i>Games Played By Day and Hour</i> screen and so that the high score table reset occurs at the right time.
<i>Disable Broken Controls</i>	If you cannot repair a broken shifter, brake, clutch or seat potentiometer immediately, you can disable that control's circuit so you can continue to operate the game. <i>Repair the broken control as soon as possible. Use this screen only as a temporary measure.</i>
<i>Special Functions</i>	
Main Board GSP Tests	Use this screen for tests of the controls, PCBs, and microprocessors.
VRAM Simple Test	Use this screen if you have a VRAM failure in the automated self-test.
VRAM Verify Test	Checks for bad VRAMs in the GSP microprocessor system.
VRAM Complete Test	Tests all the VRAM GSP memory.
	Completely tests all VRAM.

Table 2-4 All Screens Appearing in the Self-Test, Continued

Screen	Use
Color RAM	Tests the color RAM.
VRAM Shift Register Test	Checks the VRAM shift register.
Main Board MSP Tests	Use this screen if the MSP system fails the automated self-test.
MSP Verify Test	The MSP microprocessor tests the DRAMs.
MSP Complete Test	The 68010 tests the DRAMs.
Main Board Controls	Shows much the same information as the <i>Control Inputs</i> screen, but has additional tests for the steering wheel, shifter, and line voltage calibration.
Pots: 8 Bit	Shows the gas pedal, clutch pedal, seat movement, shifter movement, steering wheel movement, line voltage and the shifter force input to the main PCB.
Pots: 12 Bit	Shows the steering wheel movement and the brake force input to the main PCB.
Steering Wheel	Use if the steering wheel does not work. See the steering wheel flow charts in Chapter 3 for information about their use.
Send Force	Use this test as directed in the flowchart in Chapter 3.
Sine Wave	Sends a sine wave force to the motor amplifier PCB.
Square Wave	Sends a square wave force to the motor amplifier PCB.
Triangle Wave	Use this test as directed in the flowchart in Chapter 3.
Closed Loop Test	Sends a force to the motor amplifier PCB simulating a simple spring.
Line Voltage Calibration	Calibrates the line voltage display in the self-test.
Opto Test	For factory use only.
Life Test	For factory use only.
Shifter	Use this screen if the shifter does not work right.
Main Board ROM Checksums	Use this test if the program ROMs fail the automated self-test.
Main Board ZRAM Tests	Check the ZRAMs. Use this if all the controls are operating erratically or the statistics are not kept correctly.
ADSP Board Tests	Use this test if the ADSP board fails the automated self-test.
ADSP RAM	Tests the RAM on the ADSP PCB.
2100 Test	Tests the response of the 2100 integrated circuit on the ADSP PCB.
ADSP IRQs	Tests if the ADSP system can generate interrupts.
ROM Checksums	Tests the graphic ROM on the ADSP PCB.
Scope Loops	Shows hardware diagnostic tests for the ADSP board.
Seq Input Memory Reads	Reads the sequential input memory.
Seq Input Mem ADR Writes	Writes to the sequential input memory.
Seq Output Writes, Buf 1	Writes to the Sequential Output Memory 1.
Seq Output ADR Writes, Buf 1	Writes the address to the Sequential Output Memory 1.
Seq Output Writes, Buf 2	Writes the address to the Sequential Output Memory 2.
Seq Output ADR Writes, Buf 2	Writes the address to the Sequential Output Memory 1.
Toggle MPAGE	The MPAGE at 7L, Pin 5, alternates between 0 and 1.
Toggle XPAGE	The XPAGE at 6K, Pin 5, alternates between 0 and 1.
Sound Board Tests	Use these tests if the sound board fails the automated self-test.
Sound Board Self-Test	Tests the sound program RAM and ROM, COMRAM and the 320 RAM.
Play Sounds	Choose and hear game sounds.
Sound Board ROM Checksums	Tests the sound PCB ROMs.
Sound Board Program RAMs	Tests the sound PCB program RAMs.
Sound Board Program ROMs	Tests the sound PCB program ROMs.
COMRAM	Tests the sound PCB communication ROM.
320 RAM	Tests the sound PCB 32010 program RAM.

- **Reverse Gear** allows reverse gear to be enabled. The simulator is shipped with reverse disabled because it is not required when driving. However you can add reverse, if you wish, by doing the following steps:

1. Change the setting to *enabled*.
2. Loosen the self-locking screw in the shifter knob and take off the knob. See Figure 3-12, *Maintaining the Shifter*.
3. Remove the four tamperproof screws that hold the boot cover plate on the shifter case. Lift off the boot and the cover plate.
4. Remove the shifter gate.
5. Turn it over. Remove the socket-head screw and washer on the end of the latch nearest the spring.
6. Leave the latch on the shifter to provide resistance against shifting into reverse accidentally.

Custom Game Options

This screen is shown in Figure 2-7. Choose *Custom* under *Game Difficulty* to see this screen. In the *Custom* setting, you can choose the actual amount of time each driver is given. You can select different times for each individual lap in this option.

The actual times for easy, medium, hard, and very hard game difficulty settings are also shown in the custom settings. For example, if you have chosen the medium setting in *Game Difficulty*, then the custom screen appears as shown in Figure 2-7.

NOTE

Always use the preset Game Difficulty settings before you use the settings of the Custom game options.

To move and choose in this screen, do the following:

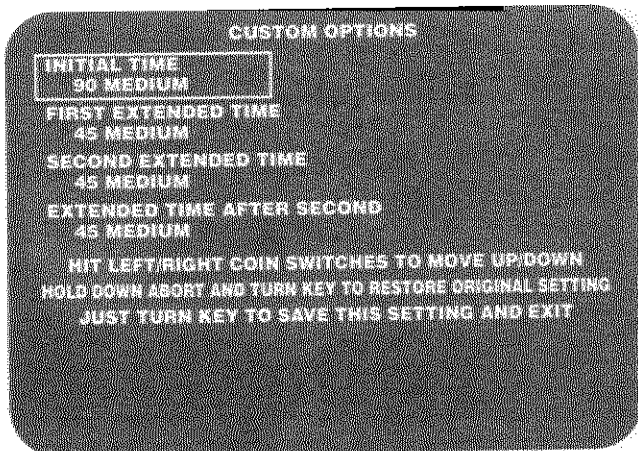


Figure 2-7 Custom Game Options Screen

Table 2-5 Custom Game Option Settings

Option	Available Settings (in Seconds)			
Initial Time	72	76	78	Very Hard
	80	82	84	Hard
	86	88	90	Medium
	92	94	96	Easy
	98	100	102	
First Extended Time	37	38	39	Very Hard
	40	41	42	Hard
	43	44	45	Medium
	46	47	48	Easy
	49	50	51	52
Second Extended Time	37	38	39	Very Hard
	40	41	42	Hard
	43	44	45	Medium
	46	47	48	Easy
	49	50	51	52
Extended Time After Second	37	38	39	Very Hard
	40	41	42	Hard
	43	44	45	Medium
	46	47	48	Easy
	49	50	51	52

- To move up or down the list, press the right or left coin switch.
- To change a setting, press the abort button and either coin switch.
- To return to the setting that was originally on the screen, press the abort button and turn the key.
- To exit the screen, turn the key.

You can change an option when it is inside the blue box. The default setting of each option is green. The other settings are blue when the option is selected. (The other settings are white when the option is *not* selected.) All of the possible settings are shown in Table 2-5.

The custom game options are explained below.

- **Initial Time** is the amount of time always given for one driving session.
- **First Extended Time** is the amount of time given if the driver crosses the finish line before the initial time is up.
- **Second Extended Time** is the amount of time given if the driver crosses the finish line before the time is up on his second lap.
- **Extended Time After Second** is the amount of time given when the driver crosses the finish line before the time is up after the first two laps.

Statistics

The statistics screen is shown in Figure 2-8. The statistics are collected from the last time the statistics screen was cleared. Write this information on the statistics sheet in the back of this manual to help you maximize your profit.

To move to the next screen, just turn the key. To clear the statistics, press and hold the abort button and turn the key at the same time.

The statistics the simulator collects are explained below.

- *Left Coins* shows the number of coins counted in the left coin mechanism.
- *Right Coins* shows the number of coins counted in the right coin mechanism.
- *Aux Coins* shows the number of times the auxiliary coin switch (inside the coin door) is pressed.
- *Idle Mins* shows the number of minutes the simulator has been idle.
- *Active Mins* shows the number of minutes the simulator has been played.
- *Xtnded Plays* shows the total number of times drivers received at least one additional lap.
- *1-X Games* shows the number of times drivers crossed the finish line one time and did not complete a second lap.
- *2-X Games* shows the number of times drivers crossed the finish line two times and did not complete a third lap.
- *N-X Games* shows the number of times drivers crossed the finish line three times and continued to drive.
- *Auto Games* shows the number of times drivers chose the automatic transmission instead of the shifter.
- *Error Count* shows the number of errors counted in the erasable memory. If you have more than 75 errors, you should have your simulator serviced by a qualified service technician.
- *Total Games* shows the number of unique games played, regardless of how many additional laps each driver received.
- *Laps by Track* is numbers of laps, completed or not, on each track. The first number is the common track at the beginning, before the driver chooses the stunt track or the speed track. The second number is the speed track and the third number is the stunt track. See the example after *No X Games by Track* for more information.

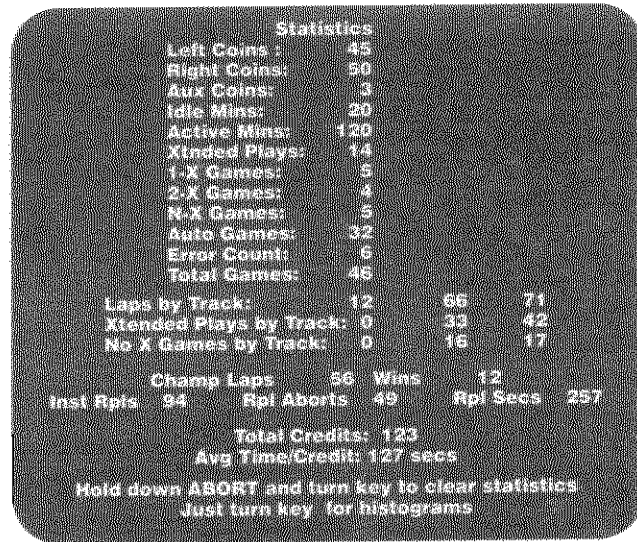


Figure 2-8 Statistics Screen

- *Xtnded Plays by Track* is the number of additional laps given to drivers if they complete a track before the time allotted. (These laps, when added together, are the same as the number of laps in *Xtnded Plays*.)

These additional laps do not need to be completed to be counted. The first number is the common track at the beginning, before the driver chooses the stunt track or the speed track. The second number is the speed track and the third number is the stunt track. Use this to find out which track drivers are choosing and driving well on. See the example after *No X Games by Track* for more information.

- *No X Games by Track* is the number of times the drivers did not get extended games on either track. If these numbers are very high (in proportion to the *Laps by Track* statistic), then the *Game Difficulty* setting may be too hard. The first number is the common track at the beginning, before the driver chooses the stunt track or the speed track. The second number is the speed track and the third number is the stunt track.

The following examples show how the *Laps by Track*, *Xtnded Plays by Track*, and *No X Games by Track* statistics are counted.

If a driver chooses the speed track and completed it before the time allotted, started driving the second lap on the speed track, but ran out of time, and did not put in any more coins, you would see the following statistics:

Laps By Track	0	2	0
Xtnded Plays by Track	0	1	0
No X Games by Track	0	0	0

If a second driver chooses the stunt track and did not complete the track before time was up, his statistics are added to the first driver's as follows:

Laps By Track	0	2	1
Xtnded Plays by Track	0	1	0
No X Games by Track	0	0	1

- *Champ Laps* is the number of times drivers qualified to race a championship lap.
- *Wins* is the number of times drivers won championship laps.
- *Inst Rpls* is the total number of instant replays. If this number is very high, the drivers should probably be reminded they will be most successful if they drive the Hard Drivin' simulator like a real car.
- *Rpl Abort* is the number of times the drivers pressed the abort button to cut the instant replay short.
- *Rpl Secs* is the total number of seconds the simulator is in the replay mode.
- *Total Credits* is calculated by multiplying the coins by the credit setting you chose in *Coin Mode*.
- *Avg Time/Credit* is the average amount of time, in seconds, that each credit gave.

Histogram

The histogram screen shows the length of driving time in seconds and the how many times the simulator was driven. The screen is shown in Figure 2-9. Write these numbers on the statistics sheet in the back of this manual to help you maximize your profit.

To move to the next screen, turn the key. To clear the histograms, press and hold the abort button and turn the key at the same time.

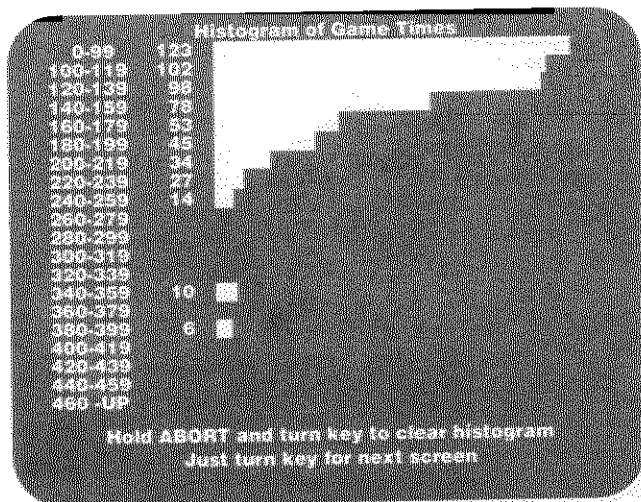


Figure 2-9 Histogram Screen

Error Count

This screen shows the error count on the PC boards. If you call Atari Game Customer Service, the numbers on this screen may help Customer Service personnel troubleshoot your problem.

Games Played By Day and Hour

This screen, illustrated in Figure 2-10, shows the number of games played every hour in each day. The information on this screen relies on the simulator clock being set correctly. (The clock time is shown on the bottom of the test menu screen. If the time is incorrect, follow the instructions in the *Set Clock* section of this chapter to set the clock.)

Write the simulator driving information on the statistics sheet in the back of this manual to help you maximize your profit.

To clear the screen, press and hold the abort button and turn the key at the same time.

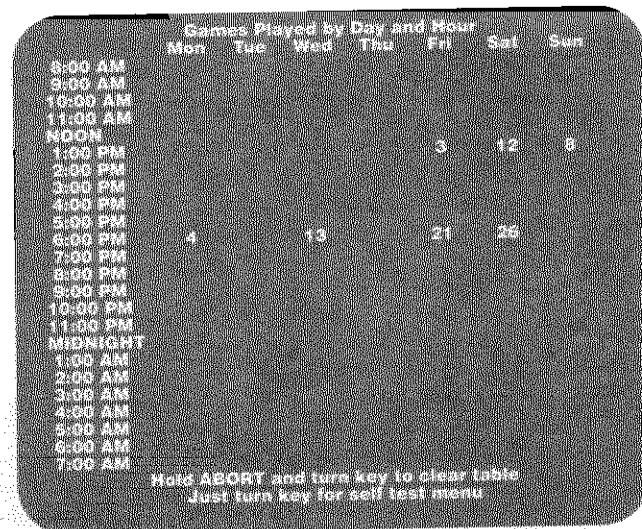


Figure 2-10 Games Played by Day and Hour Screen

Set Controls Screens

If you have problems with a control in the simulator, use the *Set Controls* screens before doing any troubleshooting or repairs. These screens allow you to set the beginning and ending points of the control input to the main PCB. Often, resetting these points will solve the problem you have. If resetting does not solve the problem, then check the *Control Inputs* screen, described below.

If you repair a control, then when you put the control back in the simulator, go through the *Set Control* screens. If you install a new board or a new control, you must go through the *Set Control* screens too.

The first screen of the *Set Controls* screens is shown in Figure 2-11.

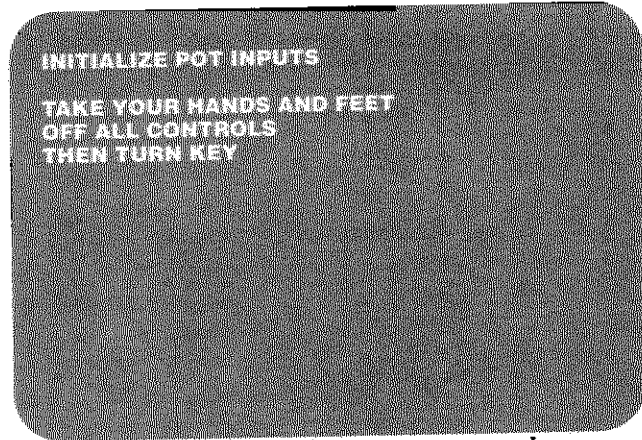


Figure 2-11 First Set Controls Screen

NOTE

If you take a control out of the simulator for repair or maintenance, you must go through all the Set Controls screens after you replace it. If you do not, the simulator will not operate correctly.

After you choose *Set Controls*, simply do what the screens say. You must reset all the controls after you start the screens. The first screen initializes all potentiometers in the simulator. (The steering wheel, shifter, seat, gas, and brake have potentiometers.) The next screens initialize the limits for the steering wheel, shifter, seat, and brake. The numbers on each screen are for factory use.

NOTE

When you initialize the brake, the instructions say to "step firmly" on the brake. Do not stomp on the brake or gently press it. Either way sets the brake limits incorrectly and drivers will be frustrated when they use the brake.

Control Inputs Screen

Check this screen as part of your regular maintenance to be sure your controls are operating correctly.

The *Control Inputs* screen is shown in Figure 2-12. This screen shows the voltage inputs from the control potentiometers to the A/D converter circuits on the main PC board. As you use a control, the line length on the screen changes, showing the change in the voltage input from the potentiometer. If the line length does not change, you have a problem.

If you have a problem, first go through the *Set Controls* screens to see if that solves the problem. Check the results on the *Control Inputs* screen. If using the *Set Controls* screens does not solve the problem, check Chapter 3 for troubleshooting and repair information.

The first control on the screen is the *Steering Wheel*. This line shows the movement of the steering wheel. As you turn the steering wheel counterclockwise, the line should disappear.

The second line is *Brake Force* which measures the force with which the brake is pushed. As you push harder and harder on the brake, its line should disappear.

In both of these lines, 0 Volts appears as no line or a short line on the screen, and 5 Volts appears as almost eight full lines on the screens.

Below these two lines are the gas pedal, clutch pedal, seat movement, shifter (front to back), shifter (left to right), steering wheel, line voltage, and shifter force. (The steering wheel movement is checked with two lines.) As you use the controls, the lines should become longer and shorter. If the line does not move, then see Chapter 3 for more information. (The line voltage varies at 60 Hz. You cannot test the line voltage.)

For these controls, 0 Volts input appears as no line or a short line on the screen and 5 Volts appears as a line halfway across the screen.

At the bottom of the screen, you can check the left and right coin mechanism, the auxiliary coin switch

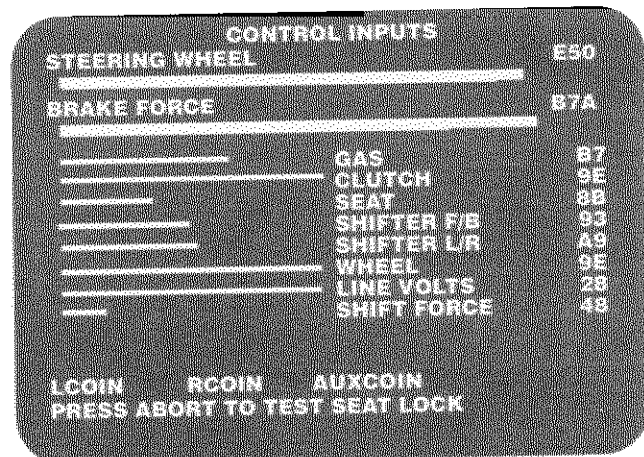


Figure 2-12 Control Inputs Screen

behind the coin door, and the seat magnet. Use the seat magnet test to determine whether the seat is locking as it should and if the magnet is good.

If the seat has not been working correctly, but does lock in this test, the switch probably should be repaired or replaced. If the seat does *not* lock, then your problem is probably the harness or the magnet.

Monitor Test Patterns

Use this item to see the thirteen screens for checking the video display, the color RAMs, the GSP, which controls the video RAMs (VRAMs), and the video output. To move through the screens, press the coin switches.

- *Color Bars* screen shows these colors from left to right: white, yellow, light blue, green, purple, red, blue, and grey. If the colors are incorrect, see your video display manual for adjustment procedures.
- *Monitor Brightness* checks the adjustment of the video display brightness.
- *Grey Scale* screen shows a white line on the left, and a grey scale showing black on the left.
- *B/W Dots* screen can be used to check convergence and focus.
- *B/W Grid* screen, shows a black background and a white grid pattern to check convergence. The grid lines should be straight within 3.0 mm. If you need to adjust the convergence, see the video display manual included with the simulator.
- *Diagonal Lines* screen can be used to check video display linearity.
- *Full Screen* colors test the color purity of the color RAMs and the display. The test displays a grey, white, red, green, and then blue screen. Each screen should be a rectangle of color, with no curving at the corners and no lines in the raster. If it does not, see your video display manual included with the simulator for adjustment procedures.
- *Monitor High Voltage Test* screens switch between a white screen and a grey screen. If the high voltage to the display is regulated properly, the sides of the screen will fluctuate about 3/4 inch from the white to the grey screen.
- *Scrolling Test* screen checks the scrolling mechanism in the GSP.

Set Clock Screen

Choose this item if you want to set the clock, turn the clock on, or turn it off. The clock should be set correctly so the statistics on the operator screen *Games Played by Day and Time* will be right.

The time on the clock also determines when the high score table is cleared. If you set the *Clear High Score Table* option in the *Game Options* screen to clear every week or every other week, then the high score table is cleared the first time the simulator is turned on after Wednesday midnight.

You may need to turn on the clock if the simulator has a program crash. Turn off the clock only if you plan to store the simulator more than six months. (The clock has a lithium battery that should last more than five years in normal use.)

To turn off the clock, choose *Clock Off* from the clock submenu, shown in Figure 2-13. To turn on the clock, choose *Start Clock* from the menu. In about two seconds, the clock starts.

If the clock is losing or gaining time, then use *Clock Faster* or *Clock Slower* to adjust the calibration of the clock.

Choose the item you need from the menu by using either coin switch. Change the setting by turning the key until you see the correct time.

The items on the clock menu are explained below.

- *Exit* returns you to the test menu.
- *Inc Hours* changes the hour setting ahead.
- *Inc Minutes* changes the minute setting ahead.
- *Inc Seconds* changes the second setting ahead.
- *Inc Day* changes the day of the week (for example, Monday or Tuesday) setting ahead.
- *Inc Month* changes the month setting ahead.

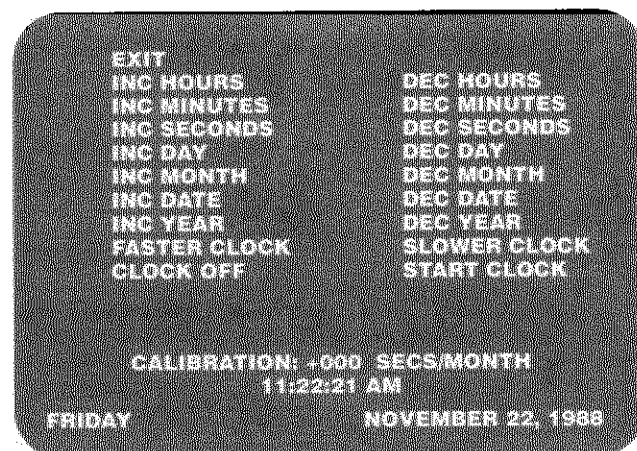


Figure 2-13 Set Clock Screen

- *Inc Date* changes the date setting ahead.
- *Inc Year* changes the year setting ahead.
- *Faster Clock* changes the calibration setting ahead. Each increase in the calibration setting makes the clock run about 5 seconds faster per month.
- *Clock Off* turns the clock off.
- *Dec Hours* changes the hour setting back.
- *Dec Minutes* changes the minute setting back.
- *Dec Seconds* changes the second setting back.
- *Dec Day* changes the day of the week (for example, Monday or Tuesday) setting back.
- *Dec Month* changes the month setting back.
- *Dec Date* changes the date setting back.
- *Dec Year* changes the year setting back.
- *Slower Clock* changes the calibration setting back. Each decrease in the calibration setting makes the clock run about 5 seconds slower per month.
- *Start Clock* starts the clock.

Disable Broken Controls Screen

Use this screen, shown in Figure 2-14, if you have a broken shifter, brake pedal, clutch pedal, or seat potentiometer and cannot repair it immediately. Before you use this screen use the *Set Controls* screens and read the information about the control in Chapter 3.

Disable these controls *only* as a *temporary* measure so you can continue to operate the simulator while waiting for parts. If you disable a control, the realistic driving feel of that control is lost. *Earnings could drop.*

When you disable a control, the control circuit is over-

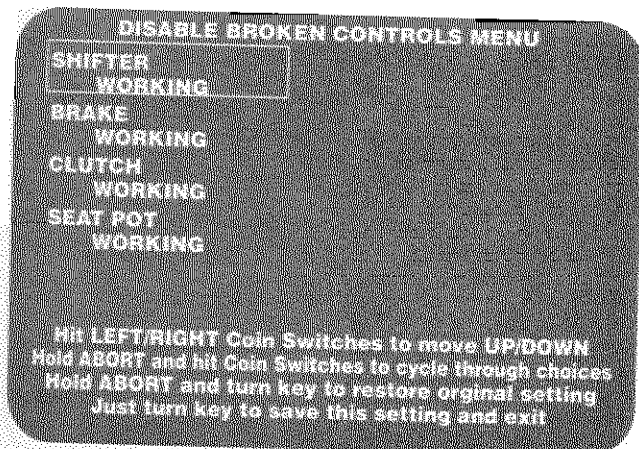


Figure 2-14 Disable Broken Controls Screen

ridden, and the simulator compensates for the loss of the control. *If you have disabled a control, remember to choose **working** after you repair it so the control works right.*

Special Functions Screens

Use the items on this screen, shown in Figure 2-15, if a system or board failed the program RAM and ROM test or the board and microprocessor test in the automated self-test. Also use this screen if you have problems with the steering wheel, the shifter, or if the clock settings or the statistics are erratic. A short summary of when to use these items is shown in Table 2-6.

The *Special Functions* items are explained below.

- *Exit* returns you to the test menu.
- *Main Board GSP Tests* should be used if you get the message *Bad GSP VRAM* or *Bad GSP Color RAM* in the automated self-test. This screen has six tests you can use.
- *Main Board MSP Tests* should be used if you get the message *Bad MSP DRAM* in the automated self-test. This screen has two tests you can use.
- *Main Board Controls* gives you most of the same information as provided in the *Control Inputs* screen plus five steering wheel tests, a line voltage calibration screen, and additional shifter tests. (All controls are "main board" controls.)
- *Main Board ROM Checksums* should be used if you get the message *Bad Program ROM* in the automated self-test. This tests the program ROMs individually and shows the results on the screen.
- *Main Board ZRAM Tests* should be used if your controls settings are changing or erratic even though

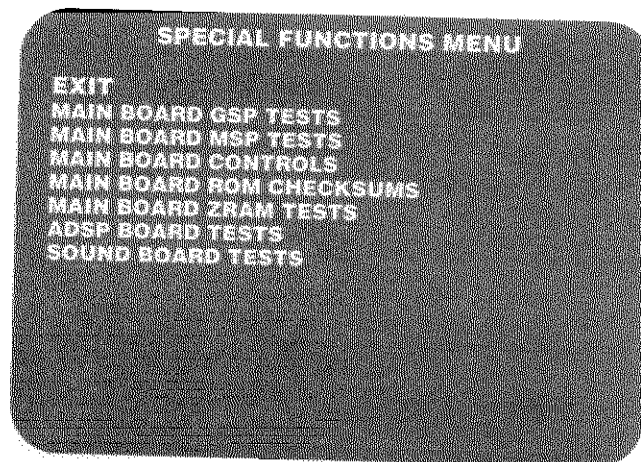


Figure 2-15 Special Functions Screen

Table 2-6 When to Use the Special Function Items

Item	When to Use
Main Board GSP Tests	If you see the message <i>Bad GSP VRAM</i> or <i>Bad GSP Color RAM</i> in the automated self-test.
Main Board MSP Tests	If you see the message <i>Bad MSP DRAM</i> in the automated self-test.
Main Board Controls	If you have control problems.
Main Board ROM Checksums	If you see the message <i>Bad Program ROM</i> in the automated self-test.
Main Board ZRAM Tests	If your controls settings are changing even though you have used the <i>Set Controls</i> screen or if the statistics are not being kept correctly.
ADSP Board Tests	If you see any message other than <i>ADSP Board OK</i> for the ADSP PC board test in the automated self-test.
Sound Board Tests	If you see the message <i>Bad Sound Board</i> in the automated self-test.

you used the *Set Controls* screen. Also use these tests if you suspect the simulator is not keeping the statistics correctly.

- *ADSP Board Tests* should be used if you get any message other than *ADSP Board OK* for the ADSP board test in the automated self-test. This screen has three tests and an ADSP ROM checksum test. It also has eight "scope loop" tests for factory use only since they require schematics and an oscilloscope.
- *Sound Board Tests* should be used if you get the message *Bad Sound Board* in the automated self-test. However, many of the sound board tests are for factory use only since they require schematics and an oscilloscope.

Main Board GSP Tests

If the automated self-test reports bad VRAMs, choose *Main Board GSP Tests* and the screen in Figure 2-16 appears.

First run the VRAM simple test. It gives the location of the bad VRAMs. If the VRAMs pass this test, but you think the simulator has a bad VRAM, run the VRAM verify test.

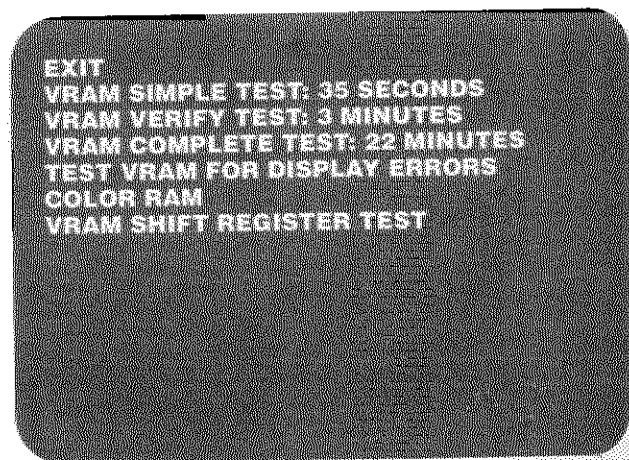
- *VRAM Simple Test* is the same test that is run in the automated self-test. It is run by the 68010 through the GSP interface and detects open or shorted address or data lines or missing parts. The results are displayed on-screen with a picture showing the VRAM section of the main PC board. The good parts are shown in green and the bad parts are shown in red. If an entire section appears in red, the problem may be with a buffer associated with that section. The test takes about 30 seconds.
- *VRAM Verify Test* is a complete memory test run by the GSP. The results are reported on the screen like in the simple test. The test takes about three minutes to run.

Since the verify test is run by the GSP program in the VRAMs, a single bad VRAM can cause the GSP program to crash. When this happens, the 68010 microprocessor reports that all the VRAMs are bad, although probably only one VRAM is bad. You must run the VRAM complete test (described below) to find out which VRAM is bad.

If the VRAM verify test fails, but the VRAM simple test shows the VRAMs are good, you should run the VRAM complete test.

If the verify test runs and reports that the VRAMs are good, then the VRAMs should be good.

- *VRAM Complete Test* is a complete memory test run by the 68010 through the GSP interface. Because the 68010 runs the test, a single bad VRAM does not cause the test to report all the VRAMs are bad (as it does the verify test).
Any VRAMs that are bad are shown on the screen at the end of the test. This test takes at least 22 minutes to run.
- *Test VRAM for Display Errors* checks for video display problems.

**Figure 2-16 GSP Tests Screen**

- *Color RAM* is the same test that is performed in the automated self-test. It tests the color RAM and reports the results.
- *VRAM Shift Register Test* checks the shift register part of the video RAMs.

Main Board MSP Tests

Use this item if the MSP microprocessor fails the microprocessor and board tests performed by the automated self-test.

When you choose *Main Board MSP Tests* the screen in Figure 2-17 appears. Run the MSP verify test, and if necessary, the MSP complete test.

The items in the MSP test screen are explained below.

- *Exit* returns you to the test menu.
- *MSP Verify Test* tests the MSP DRAMs. Use this test if the MSP microprocessor failed the microprocessor and board tests. The test is run by the MSP program in the DRAMs so almost any DRAM problem causes an error message to appear on the screen.

In twenty seconds, the test displays the results as a picture of the main PC board with the good parts shown in green, the bad parts shown in red, and the integrated circuits that are not DRAMs and *not* tested shown in blue. If two DRAMs are shown in red, then the problem could be the buffer associated with the pair.

If this test does not isolate the MSP problem, then try the MSP complete test.

- *MSP Complete Test* is run by the 68010 through the MSP interface. It tests the DRAMs and can detect nearly any problem that could develop. The test takes 2 minutes or longer, if it finds errors.

The test displays the results as a picture of the main PC board with the good parts shown in green, the bad parts shown in red, and the integrated circuits

that are not DRAMs and *not* tested shown in blue. If two VRAMs are shown in red, then the problem could be the buffer associated with the pair.

Main Board Controls

This screen provides more information about the controls than is shown in the *Control Inputs* screen. The items on the screen are described below and shown in Figure 2-18. After you choose any item on this screen and go to that item, you can return to this screen by turning the key.

The *Pots: 8 Bit* and *Pots: 12 Bit* screens have the same information as the *Control Inputs* screen. They show the voltage inputs from the control potentiometers to the A/D converter circuits. As you use a control, the line on the screen changes as the voltage input changes. If the voltage does not change, you should check that control according to the procedures in Chapter 3, *Maintenance and Troubleshooting*.

- The controls under the heading *Pots: 8-Bit* feed into the 8-Bit A/D converter circuit on the main PCB. (See Figure 2-19.) These controls are the gas pedal, clutch pedal, seat movement, shifter (front to back), shifter (left to right), steering wheel position, and shifter force. (The steering wheel position is also checked on the 12-bit A/D converter circuit. If the numbers do not match, the steering wheel force is turned off.)

As you use the controls, the lines should become longer and shorter. If the line does not move, then you have a problem with the control and you should see the information about the control in Chapter 3.

In these controls, 0 Volts appears as no line or a short line and 5 Volts appears as a line halfway across the screen.

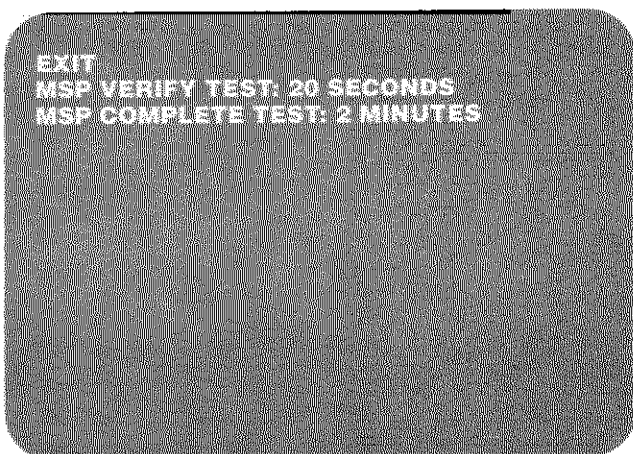


Figure 2-17 MSP Tests Screen

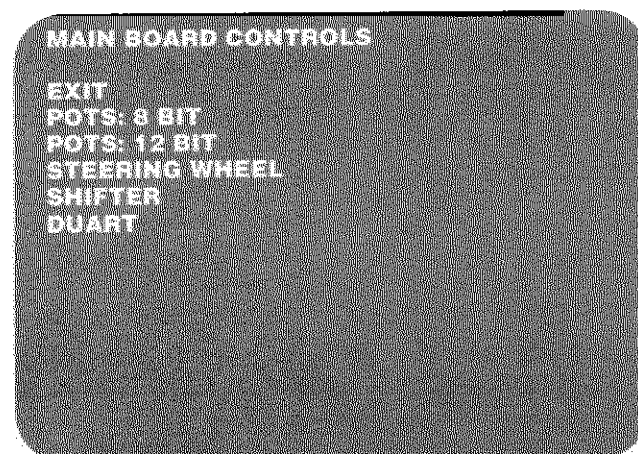


Figure 2-18 Main Board Controls Screen

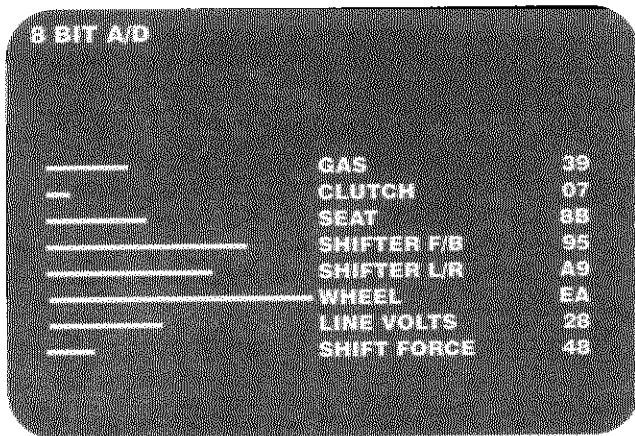


Figure 2-19 Pots: 8-Bit Screen

- In the *Pots: 12-Bit* screen, shown in Figure 2-20, *Steering Wheel* shows the position of the steering wheel. The steering wheel location input is sent to both the 12-bit and the 8-bit A/D converter circuits and is compared. If the numbers do not match, the simulator turns the steering motor force off.

Brake Force shows the force on the brake pedal. As you push harder and harder on the brake, the line disappears. If the line does not move, then you have a problem with the brake, the connection, or the A/D Converter circuit on the main PCB.

In the steering wheel and the brake force lines, 0 Volts appears as no line or a short line and 5 Volts appears as almost eight full lines drawn across the screen.

(The two lines on the bottom of this screen are not used.)

- Steering Wheel* screen is explained below and shown in Figure 2-21.
- Shifter* screen is described below and shown in Figure 2-23.
- Duart* does not apply to this simulator.

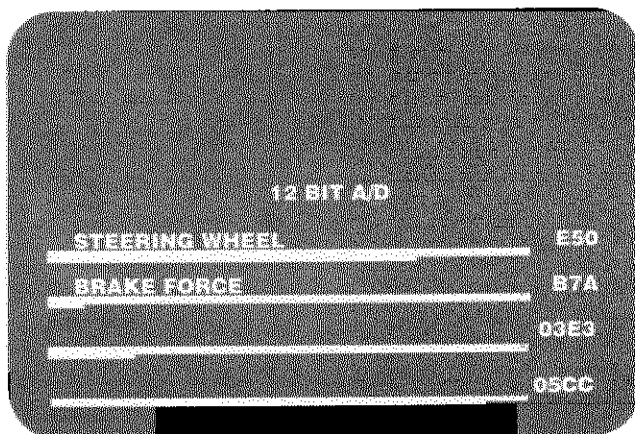


Figure 2-20 Pots: 12-Bit Screen

Steering Wheel Submenu

Use these item if you believe you have a problem with the steering assembly or the motor amplifier assembly. The screen is shown in Figure 2-21. The section *Steering Assembly* in Chapter 3 explains how to use these tests.

CAUTION

Do not service the motor amplifier assembly, which is mounted on the left side of the cabinet. The assembly contains high voltage.

If you have a problem with the motor amplifier assembly return the entire assembly to your distributor for replacement.

To move through the menu and the screens, use the coin switches. To exit a screen, push both coin switches down.

- Exit* returns to the *Main Board Controls* screen.
- Send Force* sends a steady force to the motor amplifier PCB. See Figure 2-22.
- Sine Wave* sends a sine wave force to the motor amplifier PCB. This screen is similar to Figure 2-22.
- Square Wave* sends a square wave force to the motor amplifier PCB. This screen is similar to Figure 2-22.
- Triangle Wave* sends a triangle wave force to the motor amplifier PCB. This screen is similar to Figure 2-22.
- Closed Loop Test* reads the steering wheel position and sends a force to the motor amplifier PCB to simulate a simple spring.
- Line Voltage Calibration* can be used to calibrate the simulator voltage reading to the line voltage

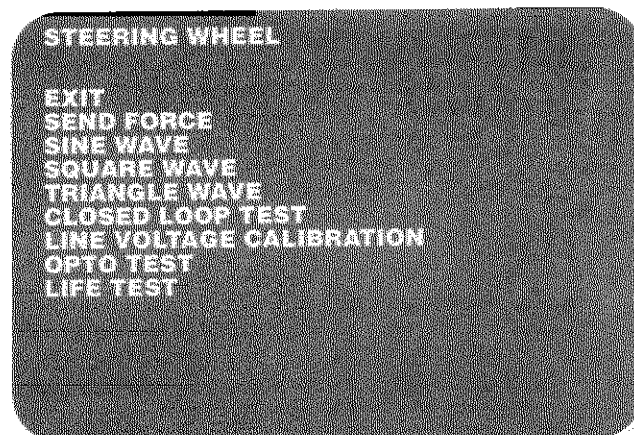


Figure 2-21 Steering Wheel Submenu Screen

reading. Put a voltmeter on the line, then set the voltage on this screen to match.

- *Opto Test* is a test used by manufacturing.
- *Life Test* is a test used by manufacturing quality assurance.

CAUTION

Do not use the Life Test. It is used only in the factory for testing of potentiometers. If you leave the simulator in this test for a long time, you can destroy the potentiometer on the steering assembly.

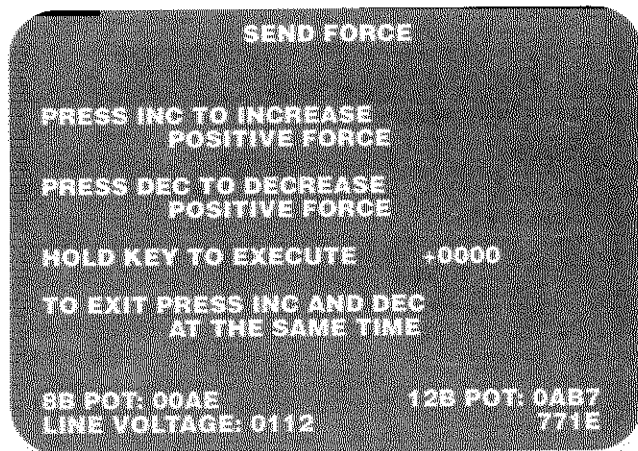


Figure 2-22 Send Force Screen

Shifter Test Screen

Use this screen if you have a problem with the shifter. Before you use the screen, see Figure 3-11, the shifter flowchart, to find out how to use the tests and settings on this screen. If you need to repair the shifter or the shifter PCB, see the shifter section in Chapter 3 for further information. The shifter screen is shown in Figure 2-23.

Under shifter outputs, you can see the voltage outputs change as you push the shifter from left to right and front to back. These numbers show the change in the voltage input from the shifter potentiometers to the 8-bit A/D converter circuit on the main PCB.

The *X-Pot* number changes as you move the shifter handle from left to right. The *Y-Pot* number changes as you move the shifter front to back. The *Strain Gage* number should be 90, and when you push the shifter forward into first or third gear, the number should go higher. It changes quickly, so watch carefully.

Under *Shifter Inputs*, you can exit the screen by turning the key, or you can press the coin switches to increase and decrease the *SG Bias* (strain gauge bias)

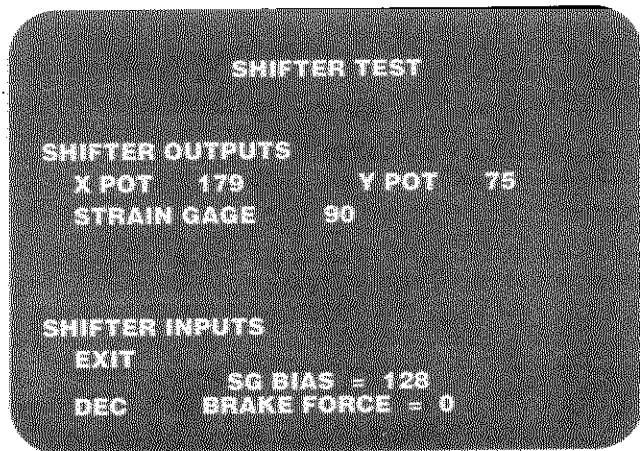


Figure 2-23 Shifter Screen

and shifter *Brake Force*. (This brake is the internal shifter brake, not the simulator brake.) Change the inputs to the strain gauge and the brake force as directed in the shifter flowchart in Chapter 3.

Main Board ROM Checksums

This screen checks the main PC board program ROMs for errors. Use this test if you have a bad program ROM message in the automated self-test or you suspect program ROM failure. To exit this screen, turn the key.

When the checksum test is complete, a hexadecimal number follows each ROM as shown in Figure 2-24. The first two digits in each hexadecimal number can be any number, but the last two digits must be the ones shown in Figure 2-24.

If the digits are all zeroes, the ROM is not on the board. Otherwise, if the last two digits are different than Figure 2-24, then the ROM is bad.

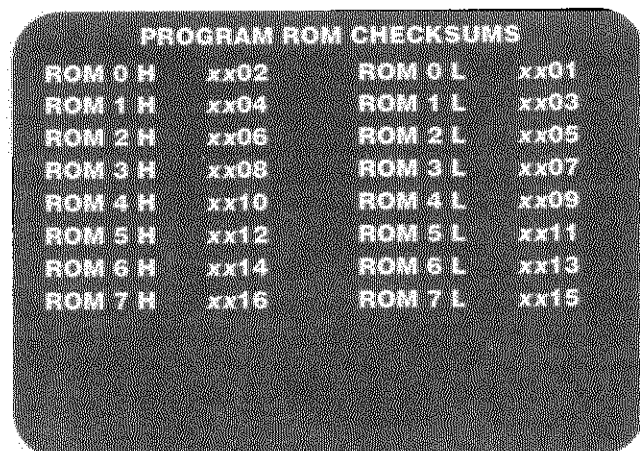


Figure 2-24 ROM Checksums Screen

Table 2-7 shows where the ROMs checked in this test are located on the main PC board.

Table 2-7 Program ROM Locations

Screen Designation	PCB Location	Screen Designation	PCB Location
ROM 0 H	210 R	ROM 0 L	200 R
ROM 1 H	210 S	ROM 1 L	200 S
ROM 2 H	210 T	ROM 2 L	200 T
ROM 3 H	210 U	ROM 3 L	200 U
ROM 4 H	210 V	ROM 4 L	200 V
ROM 5 H	210 W	ROM 5 L	200 W
ROM 6 H	210 X	ROM 6 L	200 X
ROM 7 H	210 Y	ROM 7 L	200 Y

Main Board ZRAM Test

This test checks the non-volatile RAM where the simulator statistics and control set-up values are kept. Check the ZRAMs if you think the statistics are incorrect. Also use this test if the control settings are changing even though you have recently set them with the *Set Controls* screens.

If the simulator loses power or is reset while it is in this test, then the statistics and the control settings will be lost. If this happens, use the *Set Controls* item from the main menu to reset the controls. The statistics cannot be restored.

ADSP Board Tests

Use this item if the ADSP PC board fails the microprocessor and board tests performed in the automated self-test.

When you select *ADSP Board Tests* from the test menu the screen in Figure 2-25 appears. The items on the

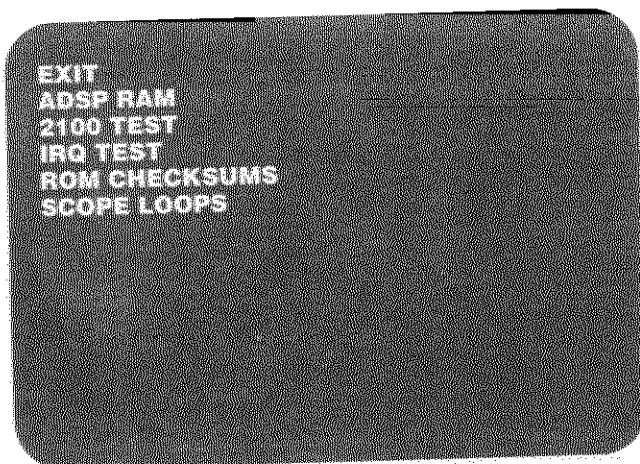


Figure 2-25 ADSP Board Tests Screen

screen are explained below.

- *Exit* returns to the test menu.
- *ADSP RAM* tests the memory on the ADSP PC board. The test takes a few minutes to run. It displays a picture of the ADSP PC board with the good parts shown in green, the bad parts shown in red, and the integrated circuits that are not RAMs and not tested shown in blue. If two RAMs are red, then the problem could be the buffer associated with the pair.
- *2100 Test* checks the response of the 2100 integrated circuit on the ADSP PC board by copying data from one location to another using a 2100 program.
- *IRQ Test* checks if the ADSP can generate interrupts for the 68010.
- *ROM Checksums* tests the graphic ROMs on the ADSP PC board. When the checksum test is complete a hexadecimal number follows each ROM as shown in Figure 2-26. The first two digits in each hexadecimal number can be any number, but the last two digits must be the ones shown in Figure 2-26. If the last two numbers are different, then the ROM is bad or it is not on the board.
- *Scope Loops* shows a menu with hardware diagnostic tests to be used with an oscilloscope. The tests are shown in Table 2-8.

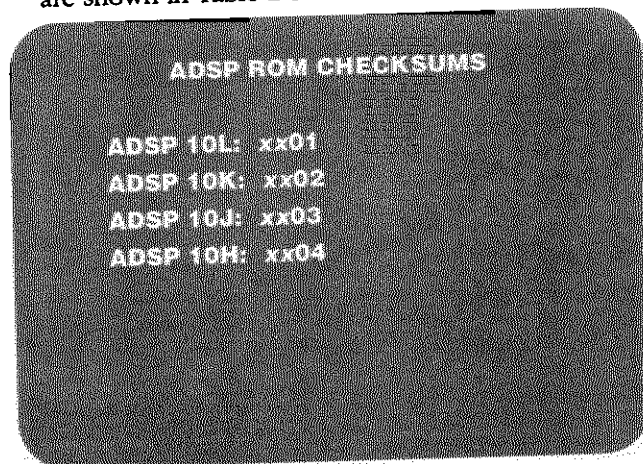


Figure 2-26 ADSP ROM Checksums Tests Screen

Sound Board

Use these tests if the sound PC board failed the microprocessor and board tests in the automated self-test.

If the sound PC board failed the test, select this item from the test menu and Figure 2-27 appears. Many of the tests require an oscilloscope and schematics. These are indicated on the list below. The tests are explained below.

Table 2-8 ADSP Scope Loop Diagnostic Tests

Test	Function
Seq Input Memory Reads	Reads the sequential input memory. The counters 9L, 9K, 9J, and 9H are incremented in a binary sequence from SRA0 to SRA15.
Seq Input Mem ADR Writes	Writes to the sequential input memory. The data written to the counters 9L, 9K, 9J, and 9H is incremented in a binary sequence from SRA0 to SRA15.
Seq Output Writes, Buf 1	Writes to the Sequential Output Memory 1. The outputs of the counters 4D, 4C, 4B, and 4A are incremented in a binary sequence from ASA0 to ASA12.
Seq Output ADR Writes, Buf 1	Writes the address to the Sequential Output Memory 1. Data written to the counters 4D, 4C, 4B, and 4A is incremented in a binary sequence from ASA0 to ASA12.
Seq Output Writes, Buf 2	Writes the address to the Sequential Output Memory 2. The outputs of the counters 4E, 4F, 4H, and 4J are incremented in a binary sequence from BSA0 to BSA12.
Seq Output ADR Writes, Buf 2	Writes the address to the Sequential Output Memory 1. Data written to the counters 4D, 4C, 4B, and 4A is incremented in a binary sequence from ASA0 to ASA12.
Toggle MPAGE	The MPAGE at 7L, Pin 5, alternates between 0 and 1.
Toggle XPAGE	The XPAGE at 6K, Pin 5, alternates between 0 and 1.

- *Exit* returns to the test menu.
- *Play Sounds* takes you to the *Requesting Sound Screen*. Follow the instructions on the screen to hear the simulator sounds.
- *Self-Test* checks the sound program ROM and RAM, COMRAM, and 320 RAM.
- *SD ROM Checksums* tests the ROMs holding the waveform data. The screen appears in Figure 2-28. It shows the ROM location, a hexadecimal number, and the results of the test for each ROM. The result will be one of the following:

NL—Nothing is loaded in that socket. No action is required.

BAD—The ROM is bad.

OK—The ROM is OK.

PROG DEV—The ROM is a program development ROM.

320 Sweep—Runs a program in the sound PC board 32010 to generate a sine wave sweep from 20 Hz to 9 kHz (requires oscilloscope).

320 Tune—Runs a program in the sound PC board 32010 to play a tune.

Program ROM—Tests the sound PC board program ROMs with the sound PC board 68000 and reports the results on the screen.

Program RAM—Tests the sound PC board program RAMs with the sound PC board 68000 and reports the results on the screen.

COMRAM—Tests the sound PC board communications RAM with the sound PC board 32010 and reports the results on the screen.

320 RAM—Tests the sound PC board 32010 program RAM with the sound PC board 68000 and reports the results on the screen.

LED Test—Flashes the Test LED with the sound PC board 68000.

DAC Ramp—Writes to every DAC value with the sound PC board 68000. The sawtooth frequency is about 60 Hz (requires oscilloscope).

DAC 250 Hz—Writes to every fourth DAC value with the sound PC board 68000. The sawtooth frequency is about 250 Hz (requires oscilloscope).

SA Counter—Creates an oscilloscope loop for the sound address counter (requires oscilloscope).

SB Latch—Creates an oscilloscope loop for the sound block latch (requires oscilloscope).

320 Tone—Plays a sine wave tone created by the 32010 (requires oscilloscope).

320 IRQ—Generates interrupts with the 32010

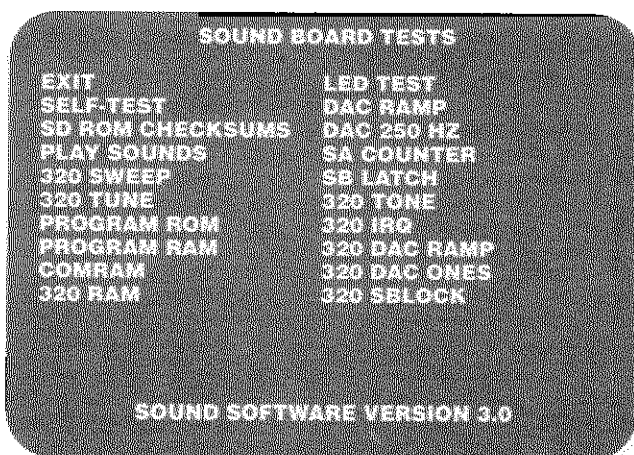


Figure 2-27 Sound Board Tests Screen

SOUND BOARD TESTS		
SOUND WAVE ROM CHECKSUMS		
65A	FFFF	NL
55A	1FC2	OK
45A	FB00	OK
30A	4313	OK
20A	5190	OK
5A	1F88	OK
65C	FD29	NL
55C	DFC0	OK
45C	313B	OK
30C	6A35	OK
20C	FFFF	NL
5C	76CB	PROG DEV

Figure 2-28 Sound Board Sound Wave ROM Checksums

which the 68000 on the sound board recognizes (requires oscilloscope).

320 DAC Ramp—The sound PC board 32010 ramps the DAC (requires oscilloscope).

320 DAC Ones—The sound PC board 32010 writes walking ones through the DAC latch (requires oscilloscope).

320 SBLOCK—The sound PC board 32010 writes increasing addresses to the Sound Block Latch (requires oscilloscope).

LEDs on the Main PCB

The LEDs (light emitting diodes) on the main PCB show you the status of various signals on the main PCB. Using the LEDs, you can check signals from various circuits going to the 68010 processor. The state of the signals is indicated by the LEDs which flash or stay lit.

Figure 2-29 shows the location of the LEDs on the main PCB. Table 2-9 shows the possible status of the LEDs, with an explanation of what they indicate.

DIP Switches

If you try to enter the self-test, but nothing appears on the screen, use the DIP switch tests. Use the information from these diagnostic tests to help you find the problem.

Before you begin with these following tests, be sure that the problem is in the simulator hardware, not in the video display. If you have a completely dark screen, check the following:

- Do you have power to the video display?
- Are the video display's filaments lit?

Table 2-9 LED Status

LED	Indicates	Status
Run LED	State of 68010 HALT signal.	On when 68010 is running. Off when 68010 processor is not running. Flashing at 2 Hz if the 68010 cannot run. (The watch-dog and clock must be running.) (The Run LED is on in game mode.)
DTACK LED	State of 68010 DTACK (data acknowledge) signal.	On when the 68010 processor is running and the timing circuit is probably operating. Flashes at 2 Hz when the 68010 processor cannot run. (The watchdog and processor clock must be running.) (The DTACK LED is on in game mode.)
Clock LED	State of the 68010 processor clock signal.	On when the game board is on. Off if the processor clock signal is stuck high or low.
IRQS LED	State of all 68010 interrupts.	On in the game mode. Off in hardware diagnostic mode and the early part of self-test. Off if no interrupts are occurring or any interrupt signal is stuck low.

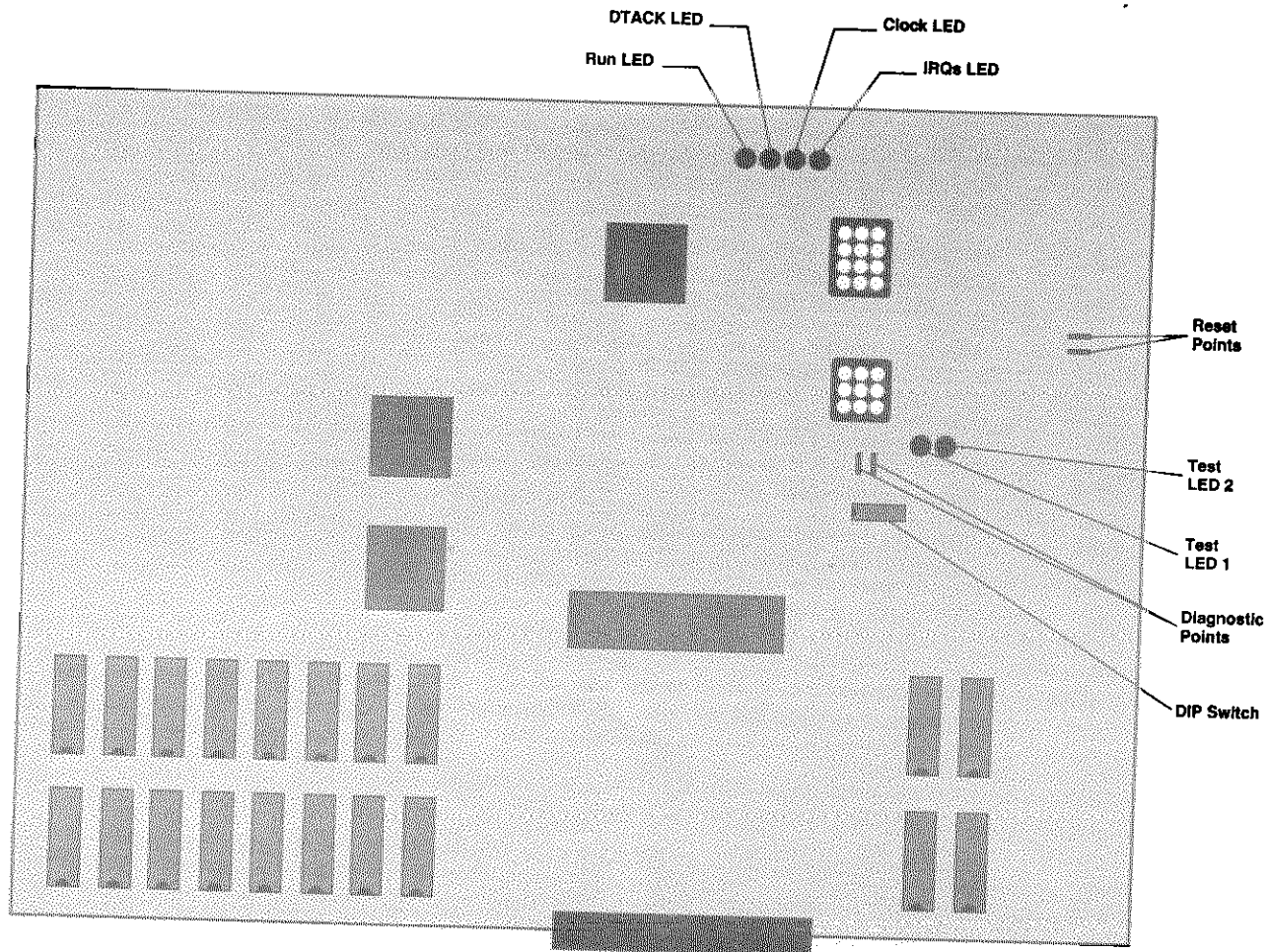


Figure 2-29 DIP Switch and LED Locations on the Main PCB

- Do you have high voltage to the video display?

If the answer to any of these questions is no, then you have a problem in the video display. Check the video display service manual included with your simulator for the suggested procedure.

If you are sure that the problem is not with the video display, then try the DIP switch diagnostics shown in Table 2-10. These tests isolate various ICs and systems for troubleshooting. The results of the tests are indicated by the main PC board LEDs or on the video display screen.

To set the DIP switches for the tests:

1. Put a jumper across the DIAGN test points, shown on Figure 2-29.
2. Select the diagnostic test you want to use with the DIP switch settings.

3. Turn on the self-test switch.
4. Put a jumper momentarily across the RESET test points, shown in Figure 2-29.

To change to another DIP switch test:

1. Change the DIP switch settings.
2. Put a jumper momentarily across the RESET test points, shown in Figure 2-29.

To end the DIP switch testing:

1. Take the jumper off the DIAGN test points.
2. Put a jumper momentarily across the RESET test points.

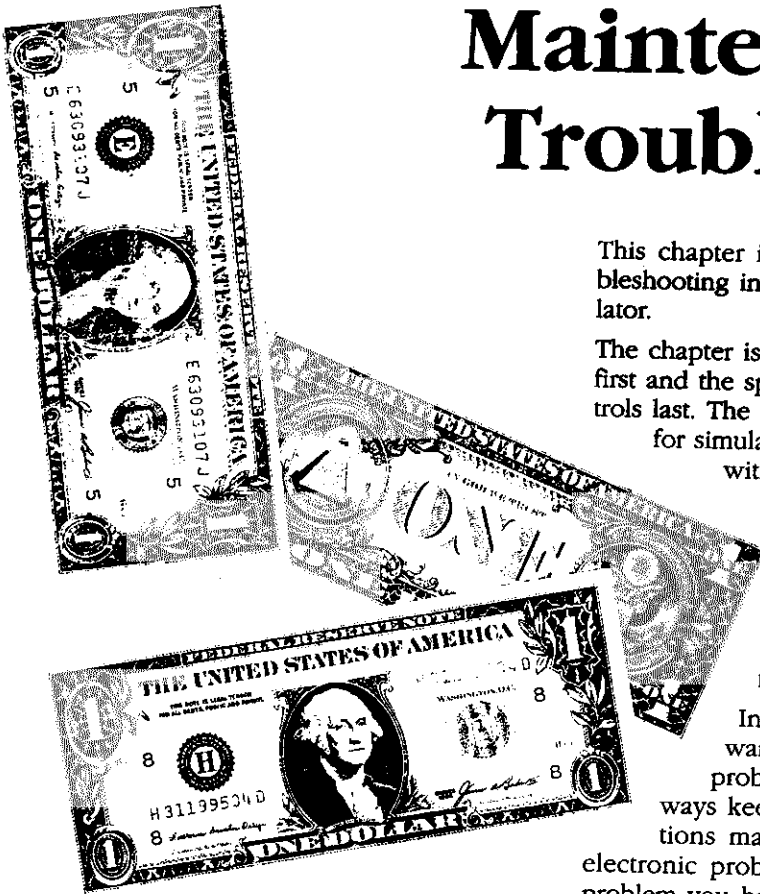
The DIP switch settings are *on* in the top position when the main PCB board is in the simulator.

Table 2-10 Using the DIP Switches

Type of Test	Purpose and Results	DIP Switch Settings							
		1	2	3	4	5	6	7	8
Watchdog, Test Program ROMs, Test Menu RAMs, and LED Tests									
Uncleared Watchdog	Puts the 68010 in a loop. Does <i>not</i> clear the watchdog counter. The program RAM does not need to work. If the watchdog is working, the run LED, DTACK LED, and IRQs LED flash at 2 Hz and the clock LED is on.	X	X	0	0	0	0	0	0
Cleared Watchdog	Puts the 68010 in a loop. Clears the watchdog counter. The program RAM does not need to work. If the watchdog is working, the run LED, clock LED, DTACK LED and IRQs LED are on.	X	X	0	0	0	0	0	1
Test LEDs	Tests the test LEDs. The program RAM does not need to work. If the test LEDs are working, they flash at 2 Hz.	X	X	0	0	0	0	1	1
Test Program ROM 0	Tests ROM 0 H and 0 L, which hold the test program. (This test takes about 5 seconds.) LED 1 and LED 2 flash together if both ROMs are good. If ROM 0 L is bad, LED 1 does not flash. If ROM 0 H is bad, LED 2 does not flash.	X	X	0	0	0	1	1	1
Test Menu RAM 0	Tests RAM 0 H and 0 L, which run the test menu. (This test takes about 5 seconds.) LED 1 and LED 2 flash together if both RAMs are good. If RAM 0 L is bad, LED 1 does not flash. If RAM 0 H is bad, LED 2 does not flash.	X	X	0	0	1	1	1	1
GSP Tests									
GSP Communications	Tests if the 68010 can communicate with the GSP, which produces the video. If the GSP responds, the LEDs flash together. If the GSP does <i>not</i> respond, LED 1 and 2 flash alternately.	X	X	0	1	1	1	1	1
Red Screen	Produces a red screen from the color RAM, regardless of GSP VRAM input. Use this to check the red video outputs.	X	X	0	1	1	1	1	0
Green Screen	Produces a green screen from the color RAM, regardless of GSP VRAM input. Use this to check the green video outputs.	X	X	0	1	1	1	0	0
Blue Screen	Produces a blue screen from the color RAM, regardless of GSP VRAM input. Use this to check the blue video outputs.	X	X	0	1	1	0	0	0
GSP Memory Fill	Does a very slow GSP memory fill so you can test the pixel scanner.	X	X	0	1	0	0	0	0
GSP VRAM Verify	Performs the GSP VRAM verify test. (This test is also in the self-test.)	X	X	1	0	0	0	0	0
ROM and RAM Tests									
ROM Test Loop	The results are displayed on the screen.	X	X	1	0	0	0	0	1
RAM Test Loop	The results are displayed on the screen.	X	X	1	0	0	0	1	1
MSP Tests									
MSP Interface	Tests the MSP interface. Results are displayed on the screen.	X	X	1	0	0	1	1	1
MSP Auto Increment	Tests the MSP auto-increment. Results are displayed on the screen.	X	X	1	0	1	1	1	1
MSP Interrupts	Tests the MSP interrupts (IRQs). Results are displayed on the screen.	X	X	1	1	1	1	1	1
MSP DRAM Verify	Performs the MSP DRAM verify test. (This test is also in the self-test.) The results are displayed on the screen.	X	X	1	1	1	1	1	0
Bus Error Test									
BERR	The DTACK timer times out and generates a bus error (BERR) signal. The results are displayed on the screen.	X	X	1	1	1	1	0	0

1=On; 0=Off; X=Doesn't Matter.

Maintenance and Troubleshooting



This chapter includes maintenance, repair, and troubleshooting information for your Hard Drivin™ simulator.

The chapter is organized with the general information first and the specific information about parts and controls last. The general information includes a schedule for simulator maintenance and inspection, a table with general troubleshooting information, and a table of the voltage levels and test points on the PCBs. The specific information is arranged by the part or control with maintenance procedures, repair procedures, troubleshooting tables, and troubleshooting flowcharts for each part.

In the simulator, the hardware and software are closely related. If you are having problems with a mechanical assembly, always keep in mind that your electrical connections may not be good or you may have an electronic problem. To determine what kind of the problem you have, use the self-test screens as recommended in the troubleshooting tables and flowcharts.

If after using these tests and screens, you decide to repair a part, the procedures for removal, disassembly, and repair are provided in this chapter. If a part is mentioned, but not illustrated, refer to Chapter 4, *Illustrated Parts Lists*, for information.



Maintaining and Inspecting

Preventive maintenance includes inspecting, cleaning, lubricating, and tightening hardware. Perform the preventive maintenance regularly so you can keep the simulator in top condition, avoid problems, and maximize your earnings. Preventive maintenance tasks and intervals are shown in Table 3-1.

Maintaining Your Simulator

For the best performance from your Hard Drivin' simulator, you should check and maintain your simulator according to the times shown in Table 3-1. How to perform these tasks is explained in the section about that control in this chapter. You may want to perform these tasks more often if the simulator is heavily used.

Table 3-2 is the first of ten troubleshooting tables in this chapter. Use this table if *all* of your controls are acting erratically or not responding. If only one control is not working, go to the section about that control and read the troubleshooting information there.

Table 3-3 shows the correct voltage levels to various PC boards and the test points for those voltage levels. Low voltages to PC boards may cause problems with the controls, with the video display, or in driving.

Dashboard

Removing the Dashboard

Remove the dashboard to service the steering assembly or to replace the switches. See Figure 3-1.

WARNING

The dashboard weighs about 40 pounds. Be careful when you remove it.

1. Turn off the power and unplug the game.
2. Take off the under-dash cover over the brake and clutch pedals. It is held in place by two Phillips-head screws. See Figure 4-1 for an illustration.
3. Remove the four nuts on either side of the dashboard and take out the carriage bolts.

NOTE

Do not remove the four tamperproof screws around the steering wheel unless you are replacing the steering assembly. Even then, remove the bolts only after the dashboard is out of the simulator.

Table 3-1 Maintenance and Inspection Items

Part	When to Check	What to Check and Maintain
Coin Mechanism	Every 6 months	Clean.
Brake and Clutch Pedals	Every 3 months	Oil all bearings. Check the switch and switch actuator distance.
Video Display Face and Shield	Every 6 weeks	Take off the video display shield and clean the shield and the face of the video display. (Carbon particles emitted by the steering motor collect on the shield and video display, obscuring the view.)
Game Exterior	Every 3 months	Make sure the glides are down. The casters may be damaged if the glides are not used. Be sure the rubber stop behind the clutch on the firewall is still on. Spray the pivot pin, spring cable, and pulley with dry Teflon spray.
Gas Pedal	Every 6 months	Clean.
Interior Components	Every 3 months	Lightly oil the spring and shaft.
Key Switch	Every 3 months	Check the shifter boot for damage. Make sure the foam in the boot is in place.
Shifter	Every 3 months	Grease the threads. Check the rubber stops and tighten the screws that hold the stops on. Make sure the potentiometer shaft has a very light coat of grease. Make sure the stop assembly on the motor shaft is tight on the shaft.
Steering Wheel	Every 3 months	To prevent injuries, replace the steering wheel if the rim or spoke padding is worn out.

Table 3-2 Troubleshooting All Controls

Problem	Solution
All controls do not respond or respond erratically.	<ol style="list-style-type: none"> 1. Go through the <i>Set Controls</i> screens in the self-test. 2. Have you recently installed a new PCB or new controls? If so, go through the <i>Set Controls</i> screens in the self-test. 3. Check the ZRAMs in the self-test for errors. 4. The simulator may have lost power during a ZRAM test. Go through the <i>Set Controls</i> screen in the self-test.

4. Remove the two tamperproof screws in the middle of the dashboard.
5. Unlock the bottom service door to reach the nuts on the carriage bolts underneath the dashboard at the rear. Take off the nuts and washers.
6. Also from the rear, disconnect the four connectors from the dashboard harness to the simulator harness.
7. Remove the Phillips-head screws on the front and under the dashboard.
8. The dashboard is now supported by the top lip and the side panels. Sit in the simulator seat and pull the dashboard forward and out of the simulator onto your lap.

Installing the Dashboard

1. Sit in the seat with the dashboard in your lap. Pull the seat towards the video display. Lift up the dashboard and slide it in on the side panels.
2. Feed the dashboard harnesses through the front panel cutouts. Push the dashboard into place.
3. Hold the dashboard in place and put the carriage bolts in on either side. Put the washers and the nuts on the bolts.
4. Go around to the back of the simulator and connect the steering assembly and the switch harnesses to the simulator harness. Then install the two carriage bolts with washers and nuts under the dashboard at the rear.

Table 3-3 Voltage Inputs and Test Points on the Simulator PCBs

PCB	Voltage	Test Points	Source and Purpose
Main	+5±0.1 VDC	+5V2	+5 V Switching Power Supply
Main	+15±0.6 VDC	+15V1	Regulated and supplied by the APU PCB. Used by the 12-bit A/D converter and runs the +12 VDC regulator.
Main	-22 VDC	-22V1	Unregulated and supplied by the APU PCB. Runs the -5V regulator.
Main	+12±0.5 VDC	+C127	Regulated and comes from the +15 VDC supply. Used by the 12-bit A/D converter and the sound PCB.
Main	-5±0.2 VDC	-C125	Regulated and comes from the unregulated -22 VDC supply. Used by the 12-bit A/D converter and the sound PCB.
ADSP	+5 VDC	+5V1 or +5V2	Regulated and supplied from the Main PCB through the interface cable.
Sound	+5 VDC	+5V2	Supplied and regulated by the main PCB through the sound power cable. Used by the logic circuitry.
Sound	+12 VDC	105B Pin 4	Supplied and regulated by the main PCB through the sound power cable. Used by the analog circuitry.
Sound	-5 VDC	5R Pin 4	Supplied and regulated by the main PCB through the sound power cable. Used by the analog circuitry.
Sound	+5 VDC	+5V2	Supplied and regulated by the main PCB through the interface cable.
Sound	-15 VDC	105B Pin 11	Supplied by the APU PCB through the main PCB. Used by the 12-bit D/A converter on the sound PCB
APU	+14VDC	See schematics	Used by the coin counters and the audio amps on the APU PCB.
APU	-14VDC	See schematics	Used by audio amps on the APU PCB.

5. Install the two tamperproof screws and washers. Finally install the Phillips-head screws under the dashboard.
6. Install the under-dash cover above the brake and clutch pedals. Screw in the two Phillips-head screws that hold it in place.
7. Close and lock the service door.

Steering Assembly

If you have problems with the steering assembly, check the troubleshooting suggestions in Table 3-4. Always perform the *Set Controls* screens in the self-test first.

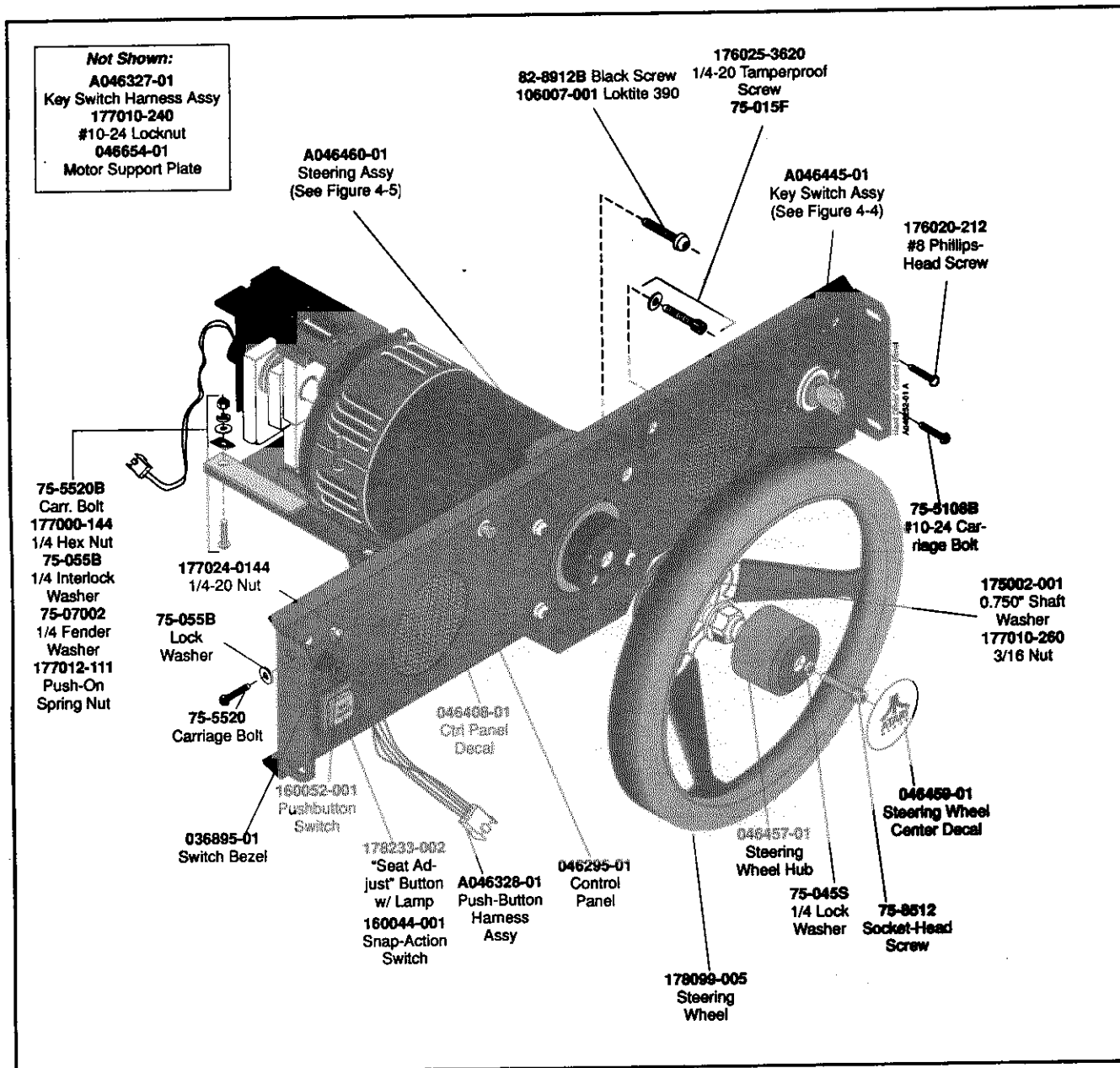


Figure 3-1 Removing and Installing the Dashboard

Greasing the Steering Assembly

Grease the steering assembly threads and stop regularly according to the maintenance schedule and if turning the steering wheel becomes difficult (and the problem is not the steering motor).

1. Take out the dashboard. See the procedure in the section *Removing the Dashboard*.
2. Grease the large threads on the stop assembly. See Figure 3-5.
3. Put the dashboard back in. See the procedure in the section *Installing the Dashboard*.

Replacing the Steering Assembly Potentiometer

Replace the potentiometer after you have followed the flowchart in Figure 3-2, 3-3, or 3-4 and you are sure the problem is the potentiometer.

1. Take out the dashboard. Follow the instructions in the section *Removing the Dashboard*.
2. Loosen the set screw that holds the potentiometer shaft in place. See Figure 3-5. Remove the nut that holds the potentiometer in the potentiometer bracket. Take out the potentiometer. If the small spring that holds the potentiometer bracket on the stop bracket is broken, replace it.
3. Solder the wiring harness to the new potentiometer. Connect the red wire nearest the shaft, the clear wire in the middle, and black wire at the end.

CAUTION

Carefully follow the instructions for installing the new potentiometer. If you do not, you might destroy the potentiometer.

4. Set up the potentiometer. Hold the new potentiometer with its shaft facing you and turn the shaft as

Table 3-4 Troubleshooting the Steering Assembly

Problem	Solution
Steering wheel does not respond or responds erratically.	<ol style="list-style-type: none"> 1. Go through the <i>Set Controls</i> screens in the self-test. 2. Check the <i>Control Inputs</i> screen to see if the potentiometer input to the board is functioning correctly. The steering wheel and wheel lines, which both indicate steering wheel position, should smoothly appear and disappear as you turn the wheel. 3. Check the connections to the potentiometer and to the motor. 4. Check voltage level to main PCB. See Table 3-3.
Steering wheel is difficult to turn.	<p>Grease the threads.</p> <p>Check the steering assembly for broken parts.</p> <p>Check the motor bearings by turning the shaft and seeing if it spins freely.</p>
Steering has no feedback.	<ol style="list-style-type: none"> 1. Try the <i>Set Controls</i> screens in the self-test. 2. See Figure 3-2 to determine the cause of the problem.
Steering is very jerky.	<p>Some jerkiness is OK.</p> <ol style="list-style-type: none"> 1. Try the <i>Set Controls</i> screens in the self-test. 2. If you think the steering is very jerky, see Figure 3-4 for more information.
Steering wheel is turned all the way to one side or the other during play and stays there.	<ol style="list-style-type: none"> 1. Try the <i>Set Controls</i> screens in the self-test. 2. See Figure 3-3 for more information.
Steering wheel can spin more than three times around.	<p>Replace the stop assembly and the potentiometer.</p>
Force on the steering wheel changes.	<p>The force on the steering wheel should be lighter when the seat is closer to the dashboard and harder when the seat is further away. This so children, who sit closer to the dashboard to drive, will be able to turn the steering wheel easily.</p>

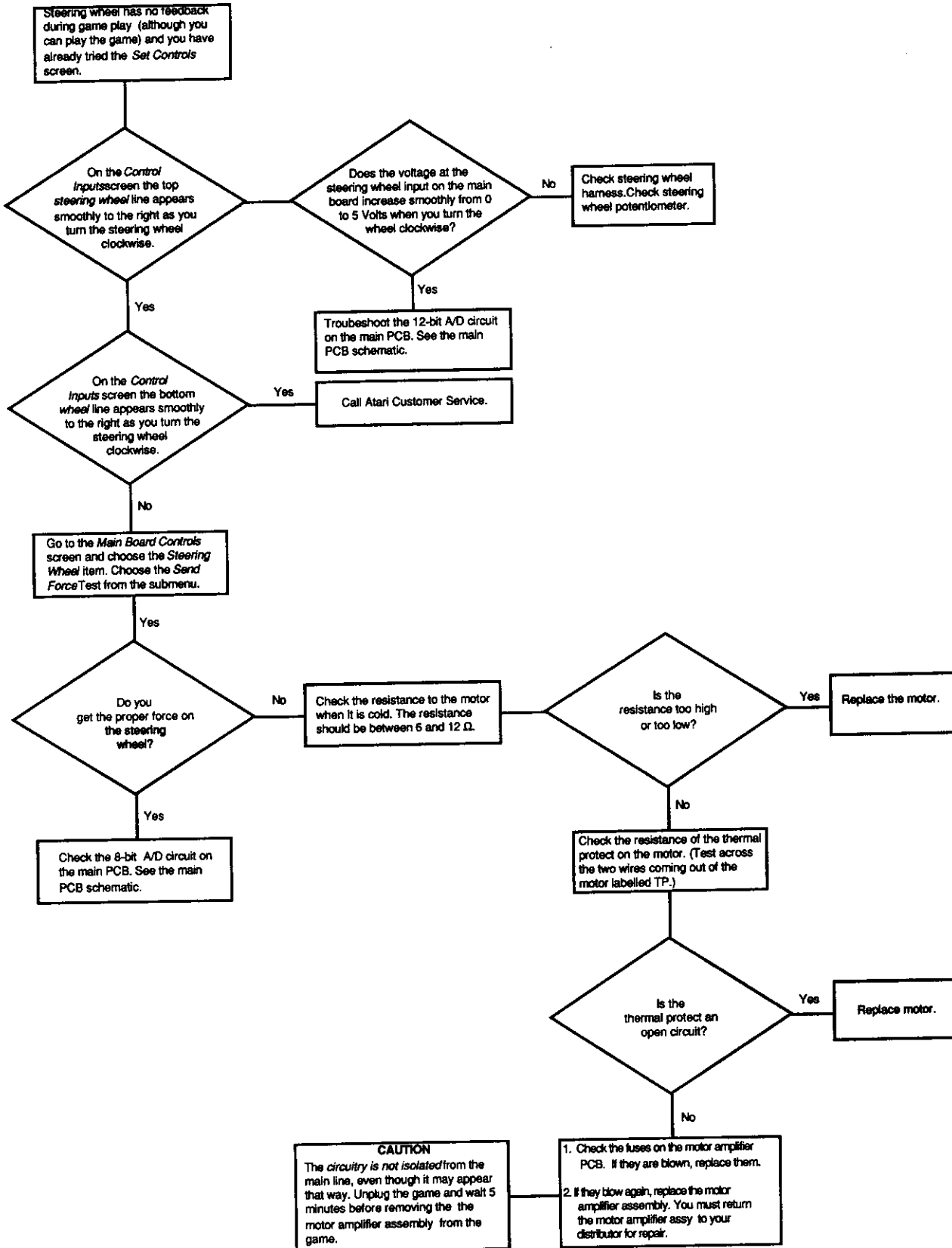


Figure 3-2 Steering Wheel Has No Feedback and You Have Tried the Set Controls Screens

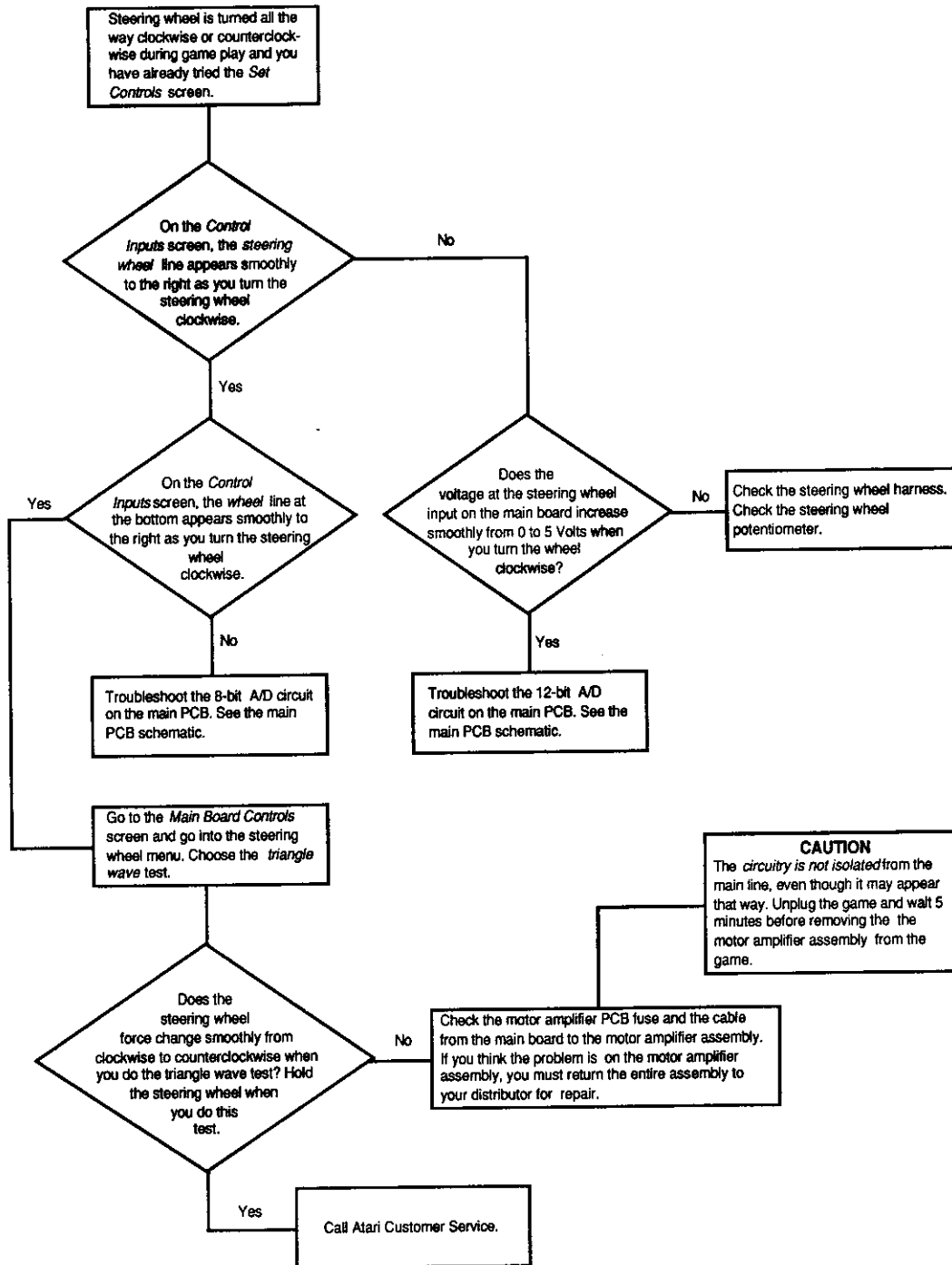


Figure 3-3 Steering Wheel is Turned All the Way to One Side and You Have Tried the Set Controls Screens

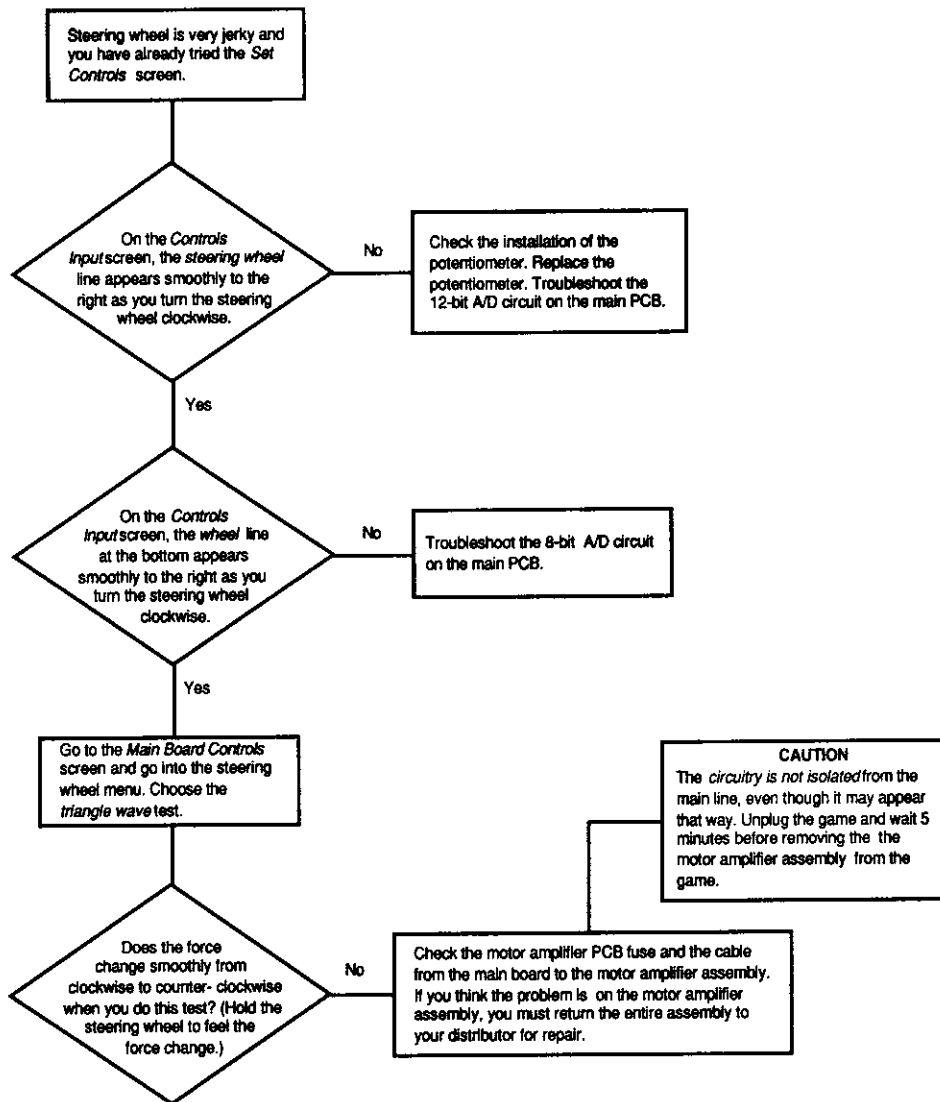


Figure 3-4 Steering Wheel Is Jerky and You Have Tried the Set Controls Screens

- far as it can go in the counterclockwise direction. Then turn the shaft back about 15 degrees.
5. Face the stop bracket on the end of the motor; then turn the motor shaft as far as it will go in the clockwise direction.
 6. Apply one drop of light oil to the potentiometer shaft before you install it in the bracket.
 7. Install the potentiometer into the potentiometer bracket with the flat of the shaft facing down and the tab in the keyhole.
 8. Put the lock washer and nut on the potentiometer shaft and tighten the nut. Do not turn the potentiometer shaft from the position at which you set it.
 9. Insert the potentiometer shaft into the motor shaft; tighten the socket-head screw.
 10. Check the alignment of the potentiometer and the motor by carefully turning the motor shaft as far as it will go clockwise and counterclockwise. Check that the potentiometer shaft turns as far as the motor shaft turns in both directions. If the potentiometer

ter shaft stops turning before the motor shaft stops turning, then do steps 4 through 9 again.

11. Put the dashboard back in the simulator, following the instructions in the section *Installing the Dashboard*.
12. Go to the *Set Controls* screens in the self-test and re-initialize all the controls.

NOTE

You must go through the Set Controls screens in the self-test because you replaced the potentiometer. If you do not do this, the simulator will not work right.

Replacing the Steering Assembly Motor

Replace the steering assembly motor if you have followed the flowchart in Figure 3-2 and you are sure that the motor is the problem. Another reason to replace the motor is if the steering wheel is difficult to turn and the problem is not lubrication or the mechanical parts.

Before you replace the motor, check the harness connections to make sure they are good.

Removing the Steering Assembly Motor

1. Take out the dashboard. Follow the instructions in the section *Removing the Dashboard*.
2. Carefully peel off the Atari Games decal on the hub of the steering wheel. The steering assembly is shown in Figure 3-5.
3. Unscrew the socket-head screw under the decal. Remove the screw, the washer and the hub cover.
4. Remove the large nut under the hub cover with a 1 1/16-inch socket. The nut is torqued to 50 foot-pounds.
5. Take off the washer and the steering wheel.
6. At the other end of the steering assembly, remove the potentiometer from the end of the motor shaft by loosening the small screw at the end of the shaft. Take off the potentiometer and the potentiometer bracket.
7. Remove the nut at the end of the motor shaft which holds the stops on the shaft. This nut requires a 1 1/16-inch socket and is torqued to 50 foot-pounds. Remove the washer.
8. Remove the four tamperproof screws that hold the steering assembly on the dashboard. These are torqued to 340 inch-pounds. Take the steering as-

sembly and the motor support plate off the dashboard.

9. Use a puller to loosen the stop assembly on the tapered shaft. You must remove the stop assembly at the same time as you remove the stop bracket.
10. Remove the four socket-head screws and washers that hold the stop bracket on the motor. Pull the stop bracket and the stop assembly off the motor shaft.

Checking the Steering Assembly Motor

11. Do the following tasks before you re-assemble the parts on the new motor:
 - a. Tighten the socket-head screws that hold the rubber stops in place.
 - b. Generously grease the threads.
 - c. Check the spring that holds the potentiometer shaft on the stop bracket. If it is broken, replace it.
 - d. Check the round stops on the corners of the large rectangular stops on the stop assembly. Make sure the round stops are not cracked or broken.

Replacing the Steering Assembly Motor

12. Put the stop assembly into the holes in sides of the stop bracket. Push the stop bracket and the stop assembly on the shaft of the new motor. (When you tighten the nut on the end of the shaft the stop assembly will be correctly seated.) Put the key slot on the stop assembly over the key on the shaft.
13. Screw the four socket-head screws and washers into the stop bracket and motor. Install the ground wire under the wide washer at the top left screw.
14. Replace the nut and the washer at the end of the motor shaft. Torque the nut to 50 foot-pounds.
15. Set up the potentiometer. Hold the new potentiometer with its shaft facing you and turn the shaft as far as it can go in the counterclockwise direction. Then turn the shaft back about 15 degrees clockwise.
16. Face the stop bracket on the end of the motor; turn the motor shaft as far as it will go in the clockwise direction.
17. Apply one drop of light oil to the potentiometer shaft before you install it in the bracket.
18. Install the potentiometer into the potentiometer bracket with the flat of the shaft facing down and with the tab in the keyhole.
19. Put the lock washer and nut on the potentiometer shaft and tighten the nut. Do not turn the potentiometer shaft from the position at which you set it.

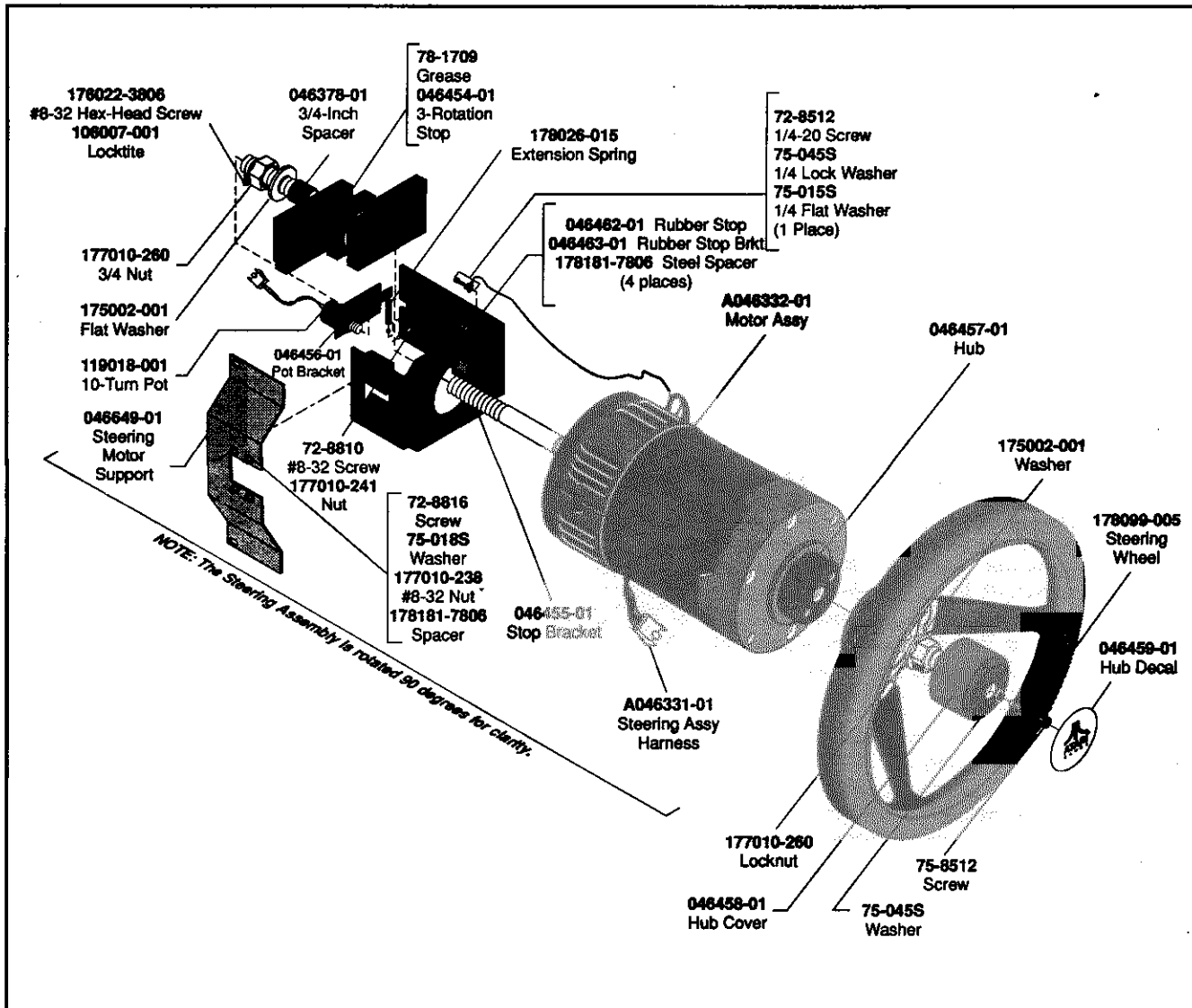


Figure 3-5 Maintaining the Steering Wheel

20. Insert the potentiometer shaft into the motor shaft; tighten the socket-head screw.
21. Check the alignment of the potentiometer and the motor by carefully turning the motor shaft as far as it will go clockwise and counterclockwise. Check that the potentiometer shaft turns as far as the motor shaft turns in both directions. If the potentiometer stops turning before the shaft stops turning, then do steps 15 through 20 again.
22. Using the four tamperproof screws, install the steering assembly and the motor support plate on the dashboard. Put Loktite on the carriage bolts before you put the nuts on them. Tighten the nuts to 340 ± 10 inch-pounds so the steering assembly will not twist on the dashboard.
23. Install the steering wheel on the steering hub. Put the hole in the steering wheel over the alignment stud on the hub. (See Figure 3-5.)
24. Put on the washer and the large nut. Torque the nut to 50 foot-pounds.
25. Install the hub cover, split-lock washer, and the socket-head screw. Put Loktite on the screw before installing it. Tighten it to 95 inch-pounds.
26. Replace the Atari Games decal on the hub.
27. Put the dashboard back in the simulator, following the instructions in the section *Installing the Dashboard*.
28. Go to the *Set Controls* screens in the self-test and re-initialize all the controls.

Replacing the Steering Assembly Stop

It is unlikely that the steering assembly stop will have to be replaced. If it does, follow the instructions in *Replacing the Steering Assembly Motor* for assembly and disassembly. You also must replace the potentiometer on the steering assembly.

Key Switch Assembly

Table 3-5 lists what can go wrong with the key switch assembly.

Oiling the Key Switch Assembly

Oil the key switch bezel ring and shaft regularly, when turning the key switch becomes difficult, or when the key squeaks.

1. Take out the dashboard. See the procedure in the section *Removing the Dashboard*.
2. Lightly oil the bezel, shaft, and spring of the key switch. See Figure 3-6. Check that the spring is not broken. If it is, then replace the spring following the procedure under *Repairing the Key Switch*.
3. Put the dashboard back in. See the procedure in the section *Installing the Dashboard*.

Replacing the Spring in the Key Switch Assembly

If nothing happens when the key turns, and there is no resistance to turning, you may need to replace the spring.

1. Remove the dashboard. Follow the procedure in the section *Removing the Dashboard*.

2. Take the key switch assembly off the dashboard by removing the two carriage bolts and locknuts.
3. Remove the retaining ring from the back of the key switch case. See Figure 3-6.
4. Loosen the socket-head screw on the brass actuator with a 5/32-inch Allen-head wrench.
5. Remove the other retaining ring inside the case. Pull out the key. Take out the brass actuator, the old spring, and the nylon washer.
6. Put lithium grease (Atari Games part no. 107029-001) inside the collar. Wipe off the excess grease.
7. Put one end of the spring into the hole in the side of the case.
8. Push the shaft back into the case far enough to mount the spring on the shaft. You may have to cut the legs of the spring to the correct length so that they do not interfere with the operation of the switch assembly.
9. Put the brass actuator into the case with the actuator pin facing the key and opposite the switch. Catch the free end of the spring under the pin. Push the actuator and the nylon washer onto the shaft.
10. Push the shaft through the case and install the two retaining rings.
11. Adjust the actuator on the shaft until it is parallel to the roller on the switch.
12. When the actuator is against the case opposite the switch, the key should be vertical. If the key is not vertical, turn it until it is. Tighten the screw on the actuator.
13. Now hold the actuator against the switch and move the switch so that when you turn the key, the switch clicks once. If the switch is too close, it will click twice instead of once when you turn the key. Tighten the screws on the switch when the position is correct.
14. Put the key switch assembly back on the dashboard. Install the dashboard as described in the section *Installing the Dashboard*.

Table 3-5 Troubleshooting the Key Switch

Problem	Solution
Key does not return when turned and has no resistance.	The actuator screw may be loose or the spring may need to be replaced.
Key turns more than 90°.	The actuator is loose; tighten the screw on the actuator.
Key turns, but nothing happens.	Check the snap-action switch, switch connectors, actuator location, and harness connections.
Key squeaks when turned.	Oil the collar and shaft.

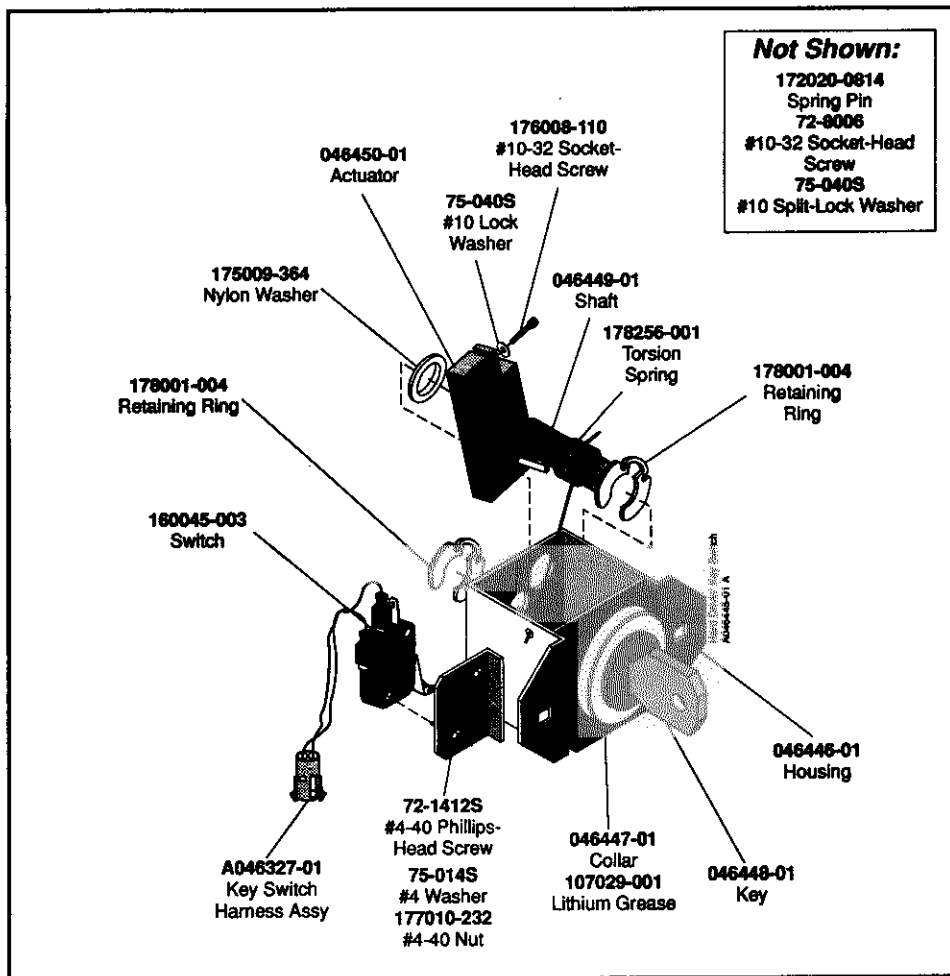


Figure 3-6 Maintaining the Key Switch Assembly

Tightening the Screw in the Key Switch Actuator

If nothing happens when the key turns, and it turns more than 90°, you may need to tighten the screw on the actuator.

1. Remove the dashboard. Follow the procedure in the section *Removing the Dashboard*.
2. Adjust the actuator on the shaft until it is parallel to the roller on the switch. See Figure 3-6.
3. When the actuator is against the case opposite the switch, the key should be vertical. If the key is not vertical, turn it until it is. Tighten the screw on the actuator.
4. Now hold the actuator against the switch and move the switch so that when you turn the key, the switch clicks once. If the switch is too close, it will click twice instead of once when you turn the key. Tighten the screws on the switch when the position is correct.

5. Install the dashboard as described in the section *Installing the Dashboard*.

Replacing the Switch on the Key Switch Assembly

Replace the switch if the key turns but nothing happens and the problem is not the spring, the actuator, or the connections. The key switch assembly is shown in Figure 3-6.

1. Remove the dashboard. Follow the procedure in the section *Removing the Dashboard*.
2. Take the key switch off the dashboard by removing the two carriage bolts and locknuts.
3. Remove the two Phillips-head screws that hold the snap-action switch on the key switch assembly. Take off the switch. Take the harness off the switch.

4. Install the switch on the assembly, but do not tighten the screws. The roller on the switch should face the brass switch actuator.
5. Loosen the screw on the brass actuator. Adjust the actuator on the shaft until it is parallel to the roller on the switch.
6. When the actuator is against the case opposite the switch, the key should be vertical. If the key is not vertical, turn it until it is. Tighten the screw on the actuator.
7. Now hold the actuator against the switch and move the switch so that when you turn the key, the switch clicks once. If the switch is too close, it will click twice instead of once when you turn the key. Tighten the screws on the switch when the position is correct.
8. Put the harness on the new switch. Connect the black wire to the C (or COM) terminal, and the white wire to the NO terminal.
9. Put the key switch assembly back into the dashboard and install the dashboard as described in the section *Installing the Dashboard*.

Clutch Pedal

The clutch is part of the clutch and brake pedal assembly. If you have trouble with the clutch, first go through the *Set Controls* screens. If that does not cure the problem, see Table 3-6, *Troubleshooting the Clutch Pedal*.

If you must repair the clutch, but you cannot do so immediately, you can disable the clutch circuit. All drivers must use the automatic transmission if you do this. *Do this only as a temporary measure*. Repair the clutch as soon as possible.

To disable the circuit, go to the *Disable Broken Controls* screen in the self-test and choose *broken* for the clutch.

Maintaining the Clutch and Brake Pedals

Take the pedals out of the simulator to maintain them. Regular maintenance includes oiling the pedals, which should be done with the pedals out of the simulator, since you cannot reach all the points and you may get oil on the PC boards below the pedals when they are in the game.

1. Turn off the power and unplug the game.
2. Take off the under-dash cover above the pedal assembly. Use a Phillips screwdriver to remove the four screws that hold the cover on.
3. Unlock the bottom service door. Take off the harness connector to the pedal.
4. The back of the pedal assembly is above the main PC board. Remove the four nuts and fender washers holding the pedal assembly to the cabinet. After you remove the nuts, the pedals will hang in the same position.
5. Go to the front. Twist and pull the pedal assembly counterclockwise to avoid the bottom of the dashboard.
6. Put light oil on the eight bearing points shown in Figure 3-8.
7. Before you install the pedal assembly, check the following.
 - a. Can you push the brake pedal 1/4 to 1/2 inch before you feel resistance? If you feel resistance before this point, first check the bearings to see if they are moving. If the bearings are moving, adjust the nut on the brake spring return shaft so that the pedal has at least 1/4 inch of free play.
 - b. Does the pedal return to its resting location? If not, check if the return spring is broken or the bearings are binding.

Table 3-6 Troubleshooting the Clutch Pedal

Problem	Solution
Clutch does not work or works erratically.	<ol style="list-style-type: none"> 1. Perform the <i>Set Controls</i> screens in the self-test. 2. Follow the flowchart in Figure 3-7 to find the cause of the problem. 3. Check connections. 4. Check voltage levels to the main PCB. See Table 3-3. 5. If you had disabled the clutch circuit, but the clutch is now repaired, choose <i>working</i> on the <i>Disable Broken Controls</i> screen.
Does not return.	<ol style="list-style-type: none"> 1. Check the bearings. 2. The springs may be broken or weak.

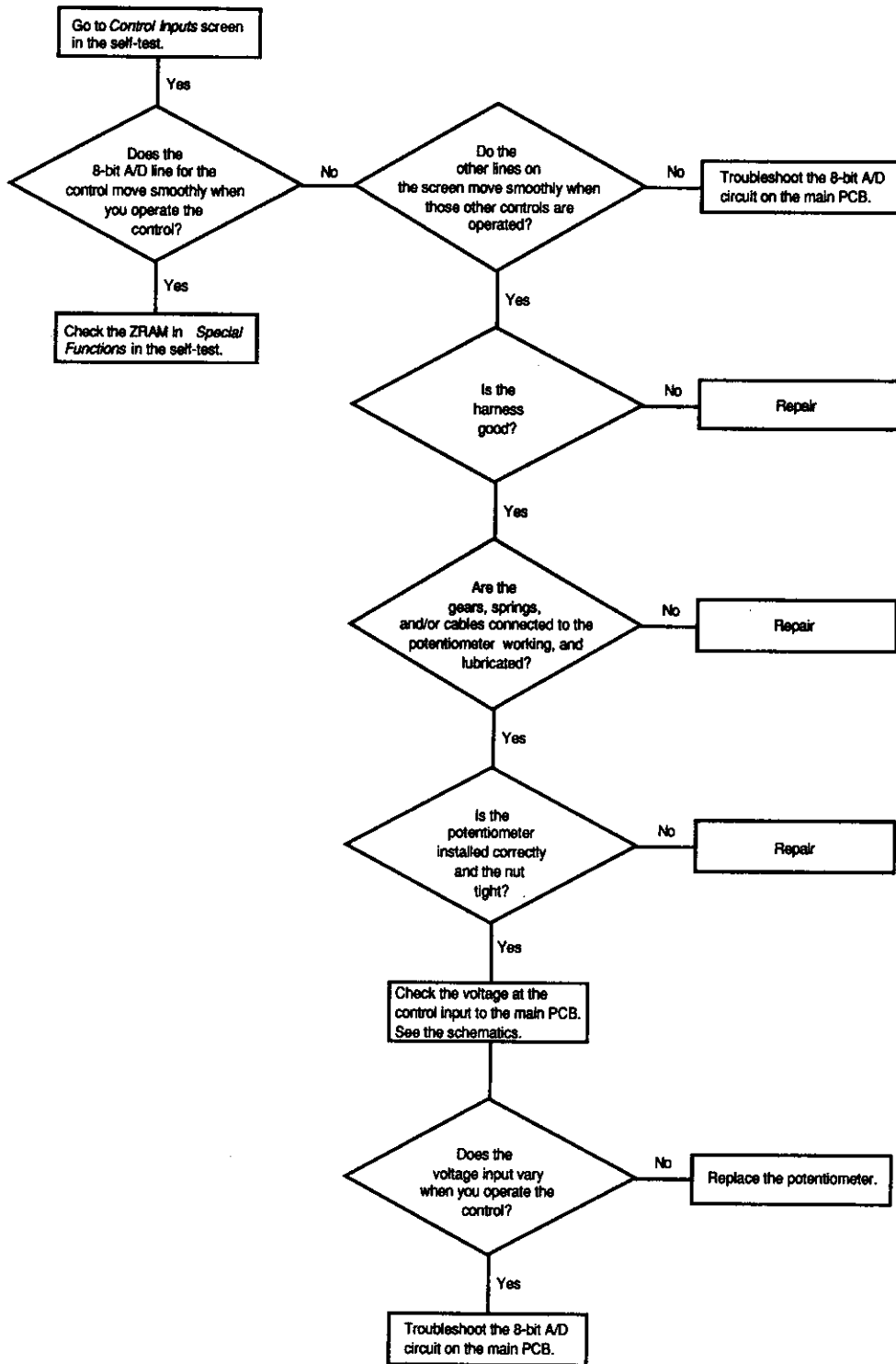


Figure 3-7 Clutch, Seat, or Gas Pedal Is Not Working or Working Erratically and You Have Tried the *Set Controls* Screens

- c. Does the brake pedal move at least 1/4 inch before the switch clicks? If not, adjust the clamp on the white plastic actuator until you have 1/4 inch of play in the pedal. Make sure the switch clicks before you feel resistance on the pedal.
8. Put the pedal assembly back in the simulator. Install the fender washers and the locknuts. Connect the simulator harness.

Replacing the Clutch Potentiometer

Do not replace the potentiometer until you have performed the *Set Controls* screens. Check to see if that solves the problem. If not, follow the flowchart in Figure 3-7 to make sure that the potentiometer is the problem.

1. Turn off the power and unplug the game.
2. Take off the cover above the pedal assembly under the dashboard. Use a Phillips screwdriver to remove the four screws that hold the cover on.
3. Unlock the bottom rear service door. The back of the pedal assembly is above the main PCB. Disconnect the simulator harness from the assembly. Remove the washers and nuts holding the pedal assembly to the cabinet. After you remove the nuts, the pedals will hang in the same position.
4. Go to the front of the simulator. Twist and pull pedal assembly counterclockwise to avoid the bottom of the dashboard.
5. See Figure 3-8 for an illustration of the pedals. The clutch potentiometer is mounted on the brake side of the pedal assembly. Loosen the locknut on the potentiometer with a 1/2-inch flat wrench.
6. Loosen the screw on the small gear with a 3/32-inch Allen wrench.
7. Take off the gear, nut, washer, and potentiometer. Remove the wires on the potentiometer.
8. With the shaft of the new potentiometer facing you and the terminals pointing up, solder the black wire on the left terminal, the yellow on the middle, and the red to the right terminal.
9. Put on the new potentiometer. Insert the key into the key hole in the assembly frame. The potentiometer terminals must point up. Put the nut and washer on, but do not tighten the nut all the way.
10. Put the gear on the potentiometer shaft. The screw must be vertical and over the flat part of the shaft. Make sure that the gear meshes with and is directly over the gear below. Tighten the screw. Tighten the nut on the potentiometer.

11. Carefully press the clutch pedal and make sure that the potentiometer shaft turns until the pedal reaches its stop. If it does not, re-install the potentiometer, following steps 9 and 10.
12. Put the pedal assembly back in the simulator. Install the fender washers and the locknuts. Re-connect the simulator harness.
13. Now switch on the self-test and go through the *Set Controls* screens.

NOTE


You must enter the self-test and go through the Set Controls screens because you repaired the pedal assembly. Otherwise the simulator will not work right.

Replacing the Clutch Springs

Replace the clutch springs if the clutch does not return to position and the springs are weak or broken. See Figure 3-8 for an illustration of the pedals.

1. Turn off the power and unplug the game.
2. Take off the under-dash cover above the pedal assembly. Use a Phillips screwdriver to remove the four screws that hold the cover on the cabinet.
3. Open the bottom rear service door. The back of the pedal assembly is above the main PC board. Disconnect the simulator harness from the assembly. Remove the washers and nuts holding the pedal assembly to the cabinet. After you remove the nuts, the pedals will hang in the same position.
4. Go to the front of the simulator. Twist and pull the pedal assembly counterclockwise to avoid the bottom of the dashboard.
5. Remove the metal stop bracket on the assembly with the rubber bumper pads attached to it. Remove the two socket-head screws, one on either side, which hold the bracket to the frame. (You do not need to remove the rubber bumper pads.) Pull the stop bracket out the assembly.
6. Take off the locking tabs on the end of the spring shafts. Use an Allen wrench to remove the socket-head screws on the tabs.
7. Push the shafts out through the assembly frame and remove the springs.
8. Install the new springs, making sure the ends are hooked over the cut-out areas on the nylon shaft covers.

Not Shown:
 178012-004
 Clip Ring on Clutch Shaft & Pedal
 176022-3604
 Set Screw on 60-Tooth Gear
 107013-001
 Light Oil

 **Lubricate on both ends of shafts.**

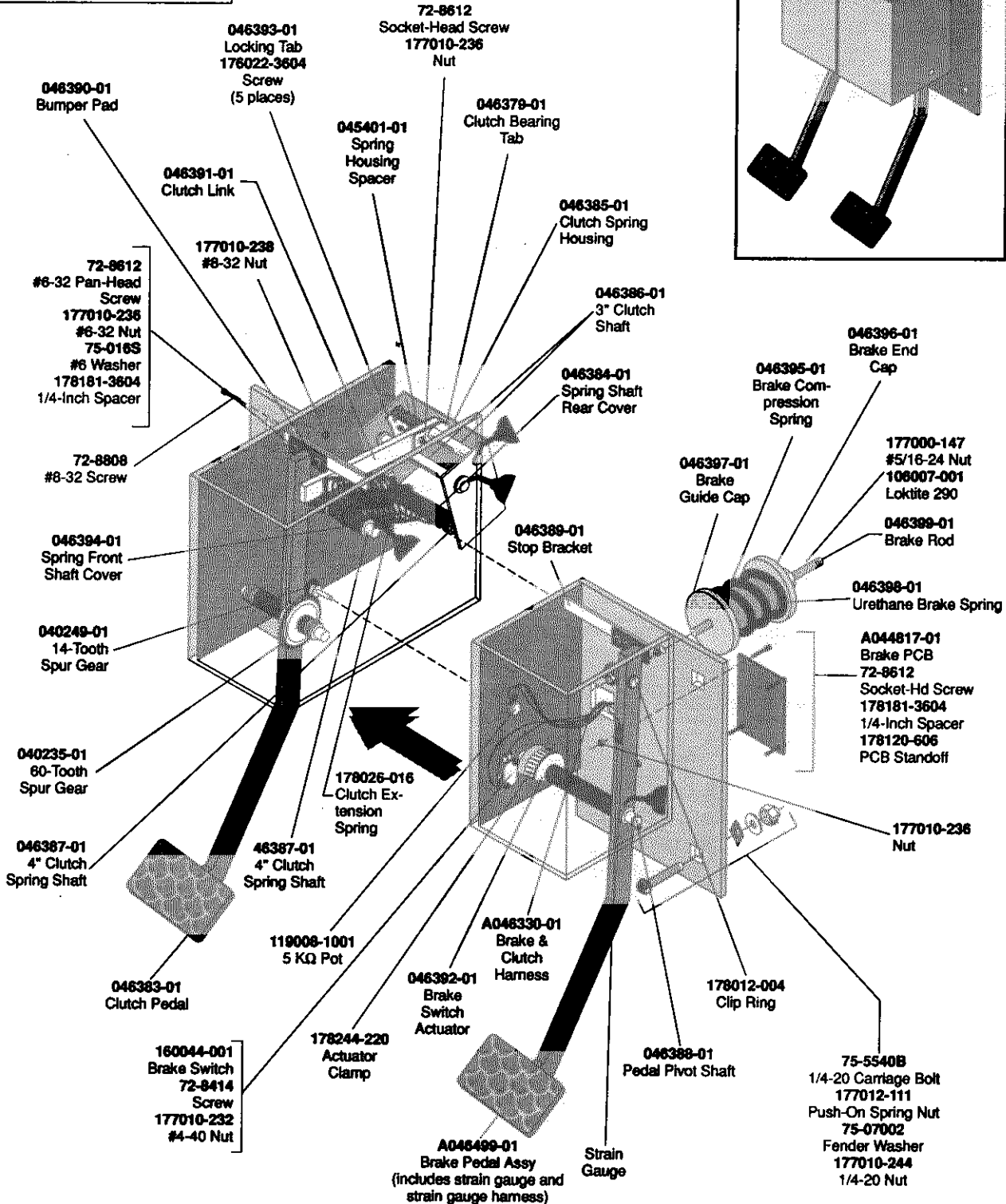
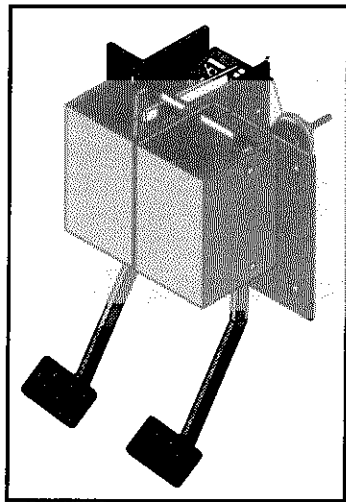


Figure 3-8 Maintaining the Clutch and Brake Assembly

9. Push the spring shafts back into place and reinstall the locking tabs.
10. Install the stop bracket. Make sure the pedal shafts rest against the rubber bumpers.
11. Put the pedal assembly back in the simulator. Install the fender washers and the locknuts. Re-connect the simulator harness.
12. Now switch on the self-test and go through the *Set Controls* screens.

NOTE

Enter the self-test and go through the *Set Controls* screens when you replace the pedal assembly. Otherwise the simulator will not work right.

Brake Pedal

The brake is part of the clutch and brake pedal assembly. For maintenance procedures, see *Maintaining the Clutch and Brake Pedals*, above.

Repairing the Brake

The brake may not work for several reasons. Before you do any repairs, always perform the *Set Controls* screens in the self-test; then try the brake to see if this corrects the problem. If that does not repair the problem see Table 3-7, *Troubleshooting the Brake Pedal*

and follow the flowchart in Figure 3-9. The test procedures in the flowchart are explained below.

If you must repair the brake, but you cannot do so immediately, and you want to continue to use your game, you can disable the brake circuit. When you disable the brake, a screen appears before each race which tells drivers that the brake does not work and to slow down, just take their foot off the accelerator.

Disable the brake *only* as a temporary measure. Repair the brake as soon as possible since this is an essential part of the game.

To disable the brake circuit, go to the *Disable Broken Controls* screen in the self-test and choose *broken* for the brake.

Testing the Switch, Switch Actuator Distance, and Pedal Movement

If you have brake problems, see the flowchart in Figure 3-9. If necessary, do the following tests to check the switch actuator distance and the switch.

1. Check the actuator adjustment. The pedal should move at least 1/4 inch before the switch clicks. If not, then adjust the clamp on the white plastic actuator until you have 1/4 inch of play in the pedal. The switch must click before you feel resistance on the pedal.
2. Check the resistance on the pedal. It should begin after the switch clicks, but no further than 1/2 inch from the pedal resting place. If you feel resistance before this point, check if the bearings are moving. If the bearings are moving freely, adjust the nut on

Table 3-7 Troubleshooting the Brake Pedal

Problem	Solution
Brake does not work or is working erratically.	<ol style="list-style-type: none"> 1. Go through the <i>Set Controls</i> screens in the self-test. 2. Check the F4 fuse on the power supply. (If this fuse is blown, the shifter will not work either.) 3. Check the brake force on the 12-bit A/D item in the <i>Control Inputs</i> screen. As you press down on the brake, the line should disappear, in relation to how much force you are putting on the brake. 4. Check the harness connections. 5. Check the distance adjustment for the switch actuator. 6. Check the switch. <ol style="list-style-type: none"> a. The connections to the brake snap-action switch are incorrect. Harness connections should be on C and NC. b. Check the switch with an ohmmeter as described in <i>Checking and Adjusting the Brake</i>. 7. Check the brake PCB. 8. Check the strain gauge by connecting an ohmmeter as described in <i>Testing the Strain Gauge and Strain Gauge Bonding</i>. 9. Check voltage level to the main PCB. See Table 3-3. 10. If the brake was not working, and you disabled the brake circuit, but now the brake is repaired, go to the <i>Disable Broken Controls</i> screen and choose <i>working</i>.

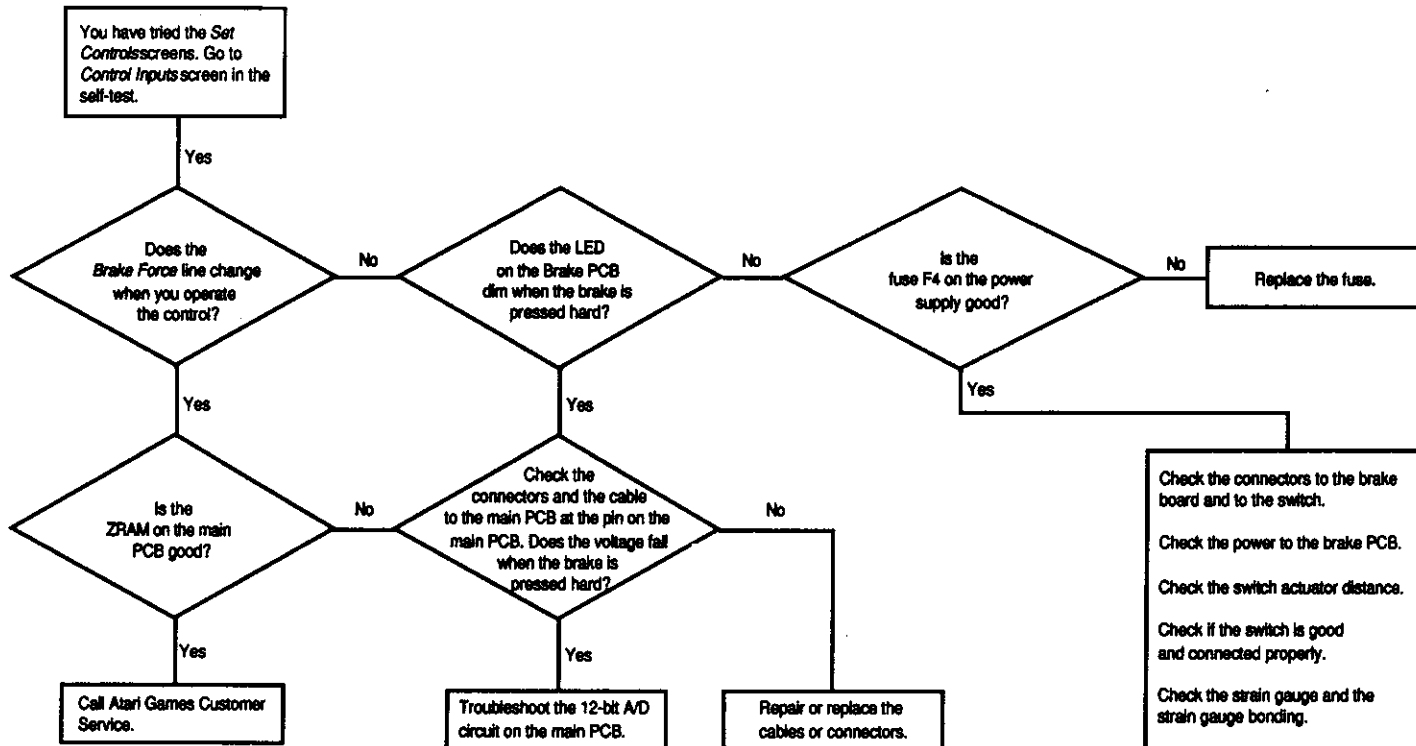


Figure 3-9 Brake Is Not Working or Working Erratically and You Have Tried the Set Controls Screens

the brake spring return shaft so that the pedal has at least 1/4 inch of free play, and the switch clicks before the resistance begins.

3. If the pedal does not return to its resting location, check if the return spring is broken or if the bearings are not moving.
4. Check the switch. Disconnect the connector from the Brake PCB and connect an ohmmeter across pins 6 and 7 of the harness connector. If the switch is good, the switch closes when the pedal is *not* pressed, and opens when the pedal is pressed.

Testing the Strain Gauge and Strain Gauge Bonding

If you have brake problems, see the flowchart in Figure 3-9. If necessary, do the following tests to check the strain gauge and strain gauge bonding.

1. Remove the connector from the brake PCB in the back of the simulator and put an ohmmeter across pins 1 and 2 of the harness connector. If the ohmmeter does not measure $350 \Omega \pm 10\%$, then replace the brake pedal assembly because the strain gauge is bad.
2. If the ohmmeter does measure $350 \Omega \pm 10\%$, then check the bonding. Attach a digital volt-ohmmeter to pins 1 and 2 and have someone press hard on

the brake. If the resistance does not change as the pressure on the brake pedal changes, then the bonding has failed and you must replace the brake pedal assembly.

Replacing the Brake Switch

Before you replace the brake switch, do the *Set Controls* screens in the self-test and follow the flowchart in Figure 3-9. Test the switch as explained above in *Testing the Switch, Switch Actuator Distance, and Pedal Movement*. If you are sure that you must replace the switch, do the following procedure.

1. Turn off the power and unplug the game.
2. With the pedal assembly out of the simulator, remove the two nuts that hold the switch against the wall. Take out the screws and the switch.
3. Replace the switch with the terminals pointing towards the top of the pedal assembly. Adjust the actuator position so the brake pedal has at least 1/4 inch of play in it before the switch clicks. Loosen or tighten the clamp on the white plastic actuator to adjust this distance. The switch must click before you feel resistance while pushing the pedal.
4. Connect the wires to the switch. The two wires attach to the C and NC terminals.

5. Put the pedal assembly back in the simulator. Install the fender washers and the locknuts. Re-connect the simulator harness.
6. Now switch on the self-test and go through the *Set Controls* screens.

NOTE

You must enter the self-test and go through the Set Controls screens since you repaired the brake. Otherwise the simulator will not work right.

Replacing the Brake Strain Gauge and Pedal Assembly

Before you replace the brake pedal assembly because you suspect the strain gauge, do the *Set Controls* screens in the self-test and follow the flowchart in Figure 3-9. Test the strain gauge as explained above in *Testing the Strain Gauge and Strain Gauge Bonding*. If you are sure that you must replace the brake pedal assembly, do the following procedure.

NOTE

The strain gauge is mounted on the pedal at the factory because special bonding is required. Therefore, you must replace the entire brake pedal assembly if the strain gauge or bonding is bad.

1. Turn off the power and unplug the game.
2. To replace the brake pedal assembly, take off the under-dash cover above the pedal assembly. Use a Phillips screwdriver to remove the screws that hold the cover on the cabinet.
3. Open the lower rear service door. The back of the pedal assembly is above the main PCB. Disconnect the simulator harness from the assembly. Remove the washers and nuts holding the pedal assembly to the cabinet. After you remove the nuts, the pedals will hang in the same position.
4. Go to the front of the simulator. Twist and pull the pedal assembly counterclockwise to avoid the bottom of the dashboard.
5. On the pedal assembly, disconnect the strain gauge wires from the Brake PCB. See Figure 3-8 for an illustration of the pedals.
6. Remove the metal stop bracket with the rubber bumper pads attached to it. Take out the two screws, one on either side, which hold the bracket

to the frame. (You do not need to remove the rubber bumper pads.) Pull the bracket out the assembly.

7. Remove the retaining ring at the top of the brake shaft that holds the shaft and brake springs together.
8. Take off the locking tab on the end of the pedal pivot shaft. Use a 3/16-inch Allen wrench to remove the socket-head screw.
9. Push the pivot shaft towards the clutch. Remove the brake pedal assembly.
10. Put the new brake pedal assembly into position. Push the pivot shaft through the brake shaft and into the case. Install the locking tab and the socket-head screw.
11. Replace the retaining ring at the top of the brake shaft that holds the shaft and the brake springs together.
12. Replace the metal stop bracket. Put in the two screws that hold the bracket to the frame.
13. Re-connect the strain gauge wires to the brake PCB.
14. Check the following to make sure the brake is set up properly:
 - a. Check the actuator adjustment. The pedal should move at least 1/4 inch before the switch clicks. If not, adjust the clamp on the white plastic actuator until you have 1/4 inch of play in the pedal. Make sure the switch clicks before you feel resistance on the pedal.
 - b. Check the resistance on the pedal. It should begin sometime after the switch clicks, but no further than 1/2 inch from the starting point. If you feel resistance before this point, check if the bearings are moving. If the bearings are moving freely, then adjust the nut on the brake spring return shaft so that the pedal has at least 1/4 inch of free play. Check that the switch clicks before resistance begins.
15. Put the pedal assembly back in the simulator. Install the fender washers and the locknuts. Re-connect the simulator harness.
16. Now switch on the self-test and go through the *Set Controls* screens.

NOTE

Enter the self-test and go through the Set Controls screens since you replaced the brake pedal assembly. Otherwise the simulator will not work right.

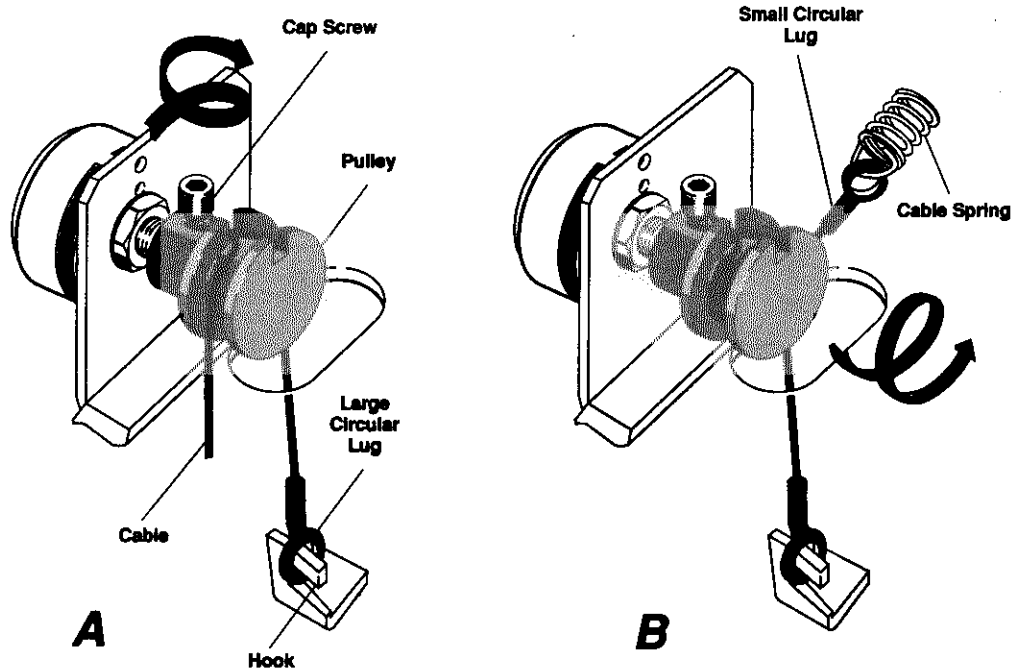


Figure 3-10 Rewinding the Gas Pedal Pulley Cable

Gas Pedal Assembly

The most likely cause of gas pedal assembly failure is the pulley cable breaking or unwinding. Check the suggestions in Table 3-8 before repairing the gas pedal.

Lubricating the Gas Pedal

Maintain the gas pedal assembly by lubricating at the points shown in Figure 3-11.

1. Turn off the power and unplug the game.
2. From the front of the cabinet, unscrew the seven Phillips-head screws and pull the gas pedal assembly forward. Disconnect the simulator harness from the assembly. Take the assembly out.
3. Lubricate the pivot pin and surrounding area, the spring cable, and pulley with dry Teflon spray. Check that the cable is wound correctly. See Figure 3-10.
4. Put the gas pedal back in the simulator and re-connect it to the simulator harness connector. Make sure that the ground wire is connected. Screw in the Phillips-head screws that hold the assembly in the simulator.

Rewinding the Gas Pedal Pulley Cable

The pulley cable may become disconnected during normal use and must be rewound. If you remove or replace the cable spring, you may also have to rewind the pulley cable. If the cable is cut or frayed, replace it.

1. Turn off the power and unplug the game.
2. Remove the pedal assembly from the simulator by taking out the seven Phillips-head screws that hold the pedal assembly box in the simulator. Disconnect the pedal from the simulator harness.
3. Lay the pedal assembly on the bench, with the extension spring at the front. See Figure 3-11 for an illustration of the pedal.
4. Put the large circular lug on one end of the cable around the hook on the pedal. See Figure 3-10, Step A. Thread the rest of the cable up through the hole in the base plate.

Wrap the cable counterclockwise around the pulley up to the cap screw. Put the cable through the notch and wrap it once, clockwise, around the cap screw in the pulley. (This screw must be at the top of the pulley. If it is not, turn the pulley so it is.)

5. Bring the cable back through the notch and wrap it twice, counterclockwise, around the pulley. Do not wrap the cable over itself. See Figure 3-10, Step B. Hook the small circular lug onto the cable spring. The cable spring should be stretched out. Push the pedal a few times to make sure the cable returns the pedal to the rest position.
6. Lubricate the pivot pin, springs, cable, and pulley with dry Teflon spray.
7. Install the pedal in the simulator and re-connect the harness. Make sure the ground wire is attached.
8. Go to the *Set Controls* screens in the self-test and re-initialize all the controls.

NOTE

You must go through the Set Controls screens in the self-test because you re-paired the pedal. Otherwise, the simulator will not work right.

Replacing the Gas Pedal Cable Spring

The gas pedal cable spring may break or become weak. Before you replace the spring, first make sure the cable is wound correctly around the pulley since this is a more likely cause of gas pedal failure.

1. Turn off the power and unplug the game.
2. Remove the pedal assembly from the simulator by taking out the seven Phillips-head screws that hold the pedal assembly box in the simulator. Disconnect the pedal from the simulator harness.
3. Lay the pedal assembly on the bench, with the extension spring pointing up at the front. See Figure 3-11 for an illustration of the pedal.
4. Disconnect the cable from the cable spring. Remove the spring and replace it.

5. If the cable is frayed or cut, replace it.
6. Put the large circular lug on one end of the cable around the hook on the pedal. See Figure 3-10, Step A. Thread the rest of the cable up through the hole in the base plate.

Wrap the cable counterclockwise around the pulley up to the cap screw. Put the cable through the notch and wrap it once, clockwise, around the cap screw in the pulley. (This screw must be at the top of the pulley. If it is not, turn the pulley so it is.)

7. Bring the cable back through the notch and wrap it twice, counterclockwise, around the pulley. Do not wrap the cable over itself. See Figure 3-10, Step B. Hook the small circular lug onto the cable spring. The cable spring should be stretched out. Push the pedal a few times to make sure the cable returns the pedal to the rest position.
8. Lubricate the pivot pin, springs, cable, and pulley with dry Teflon spray.
9. Install the pedal in the simulator and re-connect the harness. Make sure the ground wire is attached.
10. Go to the *Set Controls* screens in the self-test and re-initialize all the controls.

Replacing the Gas Pedal Potentiometer

Replace the potentiometer if you have followed the flowchart in Figure 3-7 and decided that the potentiometer is the problem. However, when you take the gas pedal out of the simulator, first check if the springs are broken or if the cable is broken or unwound from the pulley before you replace the potentiometer.

1. Turn off the power and unplug the game.
2. Remove the pedal assembly from the simulator by taking out the seven Phillips-head screws that hold the pedal assembly box in the simulator. Disconnect the pedal from the simulator harness.

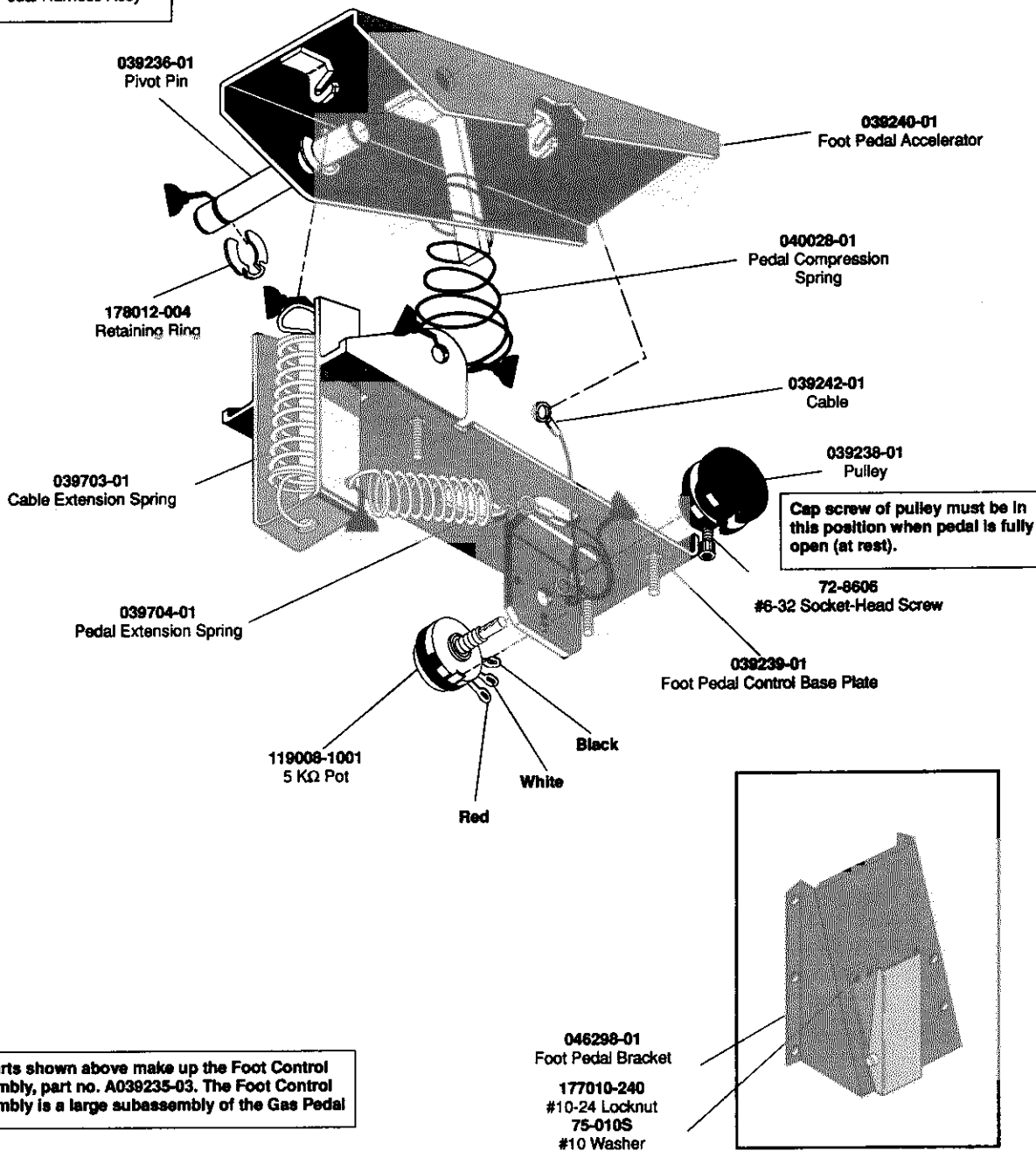
Table 3-8 Troubleshooting the Gas Pedal Assembly

Problem	Solution
Gas pedal does not work or works erratically.	<ol style="list-style-type: none"> 1. Go through the <i>Set Controls</i> screen in the self-test. 2. If that doesn't work, see Figure 3-7 for more information. 3. Check the <i>Control Inputs</i> screen. If the gas line does not change as you press the pedal down, then you may need to replace the potentiometer, rewind or replace the pulley cable, or replace a broken spring. 4. Check voltage level to boards. See Table 3-3.
Does not return to rest position.	<ol style="list-style-type: none"> 1. Is the gas pedal lubricated? Follow the procedure under <i>Lubricating the Gas Pedal</i>. 2. Check the pulley cable. 3. Check for a broken extension spring, shown in Figure 3-9.

Not Shown:
A043947-01
Gas Pedal Harness Assy



107012-001
Dry Teflon Spray Lubricant



All parts shown above make up the Foot Control Assembly, part no. A039235-03. The Foot Control Assembly is a large subassembly of the Gas Pedal

Figure 3-11 Maintaining the Gas Pedal

3. Lay the pedal assembly on the bench, with the extension spring pointing up at the front. See Figure 3-11 for an illustration of the pedal.
4. Disconnect the cable from the cable spring. Loosen the screw on the pulley and remove the pulley from the potentiometer shaft.
5. Take off the potentiometer by removing the nut with a 1/2-inch wrench. Take the wires off the potentiometer.

6. Put a new potentiometer on the bracket in the base plate, with the three terminals facing towards you and the flat of the potentiometer shaft facing up. Tighten the nut.
7. Solder the harness wires onto the potentiometer in this order: red on the left terminal, white on the middle, and black on the right.
8. Put the pulley on the potentiometer shaft and tighten the screw in the hub on the flat of the potentiometer shaft.
9. Put the large circular lug on one end of the cable around the hook on the pedal. See Figure 3-10, Step A. Thread the rest of the cable up through the hole in the base plate.
Wrap the cable counterclockwise around the pulley up to the cap screw. Put the cable through the notch and wrap it once, clockwise, around the cap screw in the pulley. (This screw must be at the top of the pulley. If it is not, turn the pulley so it is.)
10. Bring the cable back through the notch and wrap it twice, counterclockwise, around the pulley. Do not wrap the cable over itself. See Figure 3-10, Step B. Hook the small circular lug onto the cable spring. The cable spring should be stretched out. Push the pedal a few times to make sure the cable returns the pedal to the rest position.
11. Lubricate the pivot pin, springs, cable, and pulley with dry Teflon spray.
12. Install the pedal in the simulator and re-connect the harness. Make sure the ground wire is attached.
13. Go to the *Set Controls* screens in the self-test and re-initialize all the controls.

NOTE

You must go through the Set Controls screens in the self-test because you replaced the potentiometer. The simulator will not work right if you do not set the controls.

Replacing a Broken Spring on the Gas Pedal

It is unlikely that these springs will be sprung or fatigued. However, if they are, follow the instructions below.

1. Turn off the power and unplug the game.
2. Remove the pedal assembly from the simulator by taking out the seven Phillips-head screws that hold

the pedal assembly box in the simulator. Disconnect the pedal from the simulator harness.

3. Lay the pedal assembly on the bench, with the extension spring pointing up at the front. See Figure 3-11 for an illustration of the pedal.
4. Disconnect the cable from the cable spring.
5. Remove the two retaining rings from either end of the pivot pin and take out the pivot pin.
6. Take out the springs. If you replace the compression spring, be sure that the large end of the spring is against the base plate when you put the pedal assembly together again.
7. Install the new spring and replace the pivot pin.
8. Rewind the pulley cable in the following way:
 - a. Put the large circular lug on one end of the cable around the hook on the pedal. See Figure 3-10, Step A. Thread the rest of the cable up through the hole in the base plate.

Wrap the cable counterclockwise around the pulley up to the cap screw. Put the cable through the notch and wrap it once, clockwise, around the cap screw in the pulley. (This screw must be at the top of the pulley. If it is not, turn the pulley so it is.)

- b. Bring the cable back through the notch and wrap it twice, counterclockwise, around the pulley. Do not wrap the cable over itself. See Figure 3-10, Step B. Hook the small circular lug onto the cable spring. The cable spring should be stretched out. Push the pedal a few times to make sure the cable returns the pedal to the rest position.
9. Lubricate the pivot pin, springs, cable, and pulley with dry Teflon spray before you put the assembly back in the simulator.
10. Install the pedal in the simulator and re-connect the harness. Make sure the ground wire is attached.
11. Go to the *Set Controls* screens in the self-test and re-initialize the controls.

NOTE

You must go through the Set Controls screens in the self-test because you replaced the potentiometer. The simulator will not work right if you do not set the controls.

Shifter Assembly

If you have problems with the shifter, check Table 3-9, *Troubleshooting the Shifter Assembly*.

If the shifter is not working but you cannot repair it immediately, you can disable the shifter circuit. When the shifter circuit is disabled, the simulator drives only with the automatic transmission, even if the driver chooses manual transmission. The driver can shift, but this has no effect. Disable the shifter circuit only as a temporary measure. Repair the shifter as soon as possible.

To disable the shifter, go to the screen *Disable Broken Controls* in the self-test. Choose *broken* under shifter. Remember to change this setting back to *working* when you repair the shifter.

Installing a New Shifter Boot

If you replace the boot, you must replace the foam cushion inside it too. The foam should come with wide double-sided tape wrapped around it. However, if the foam cushion comes without the tape, order Atari Games part number 178051-001.

The shifter is shown in Figure 3-12.

1. Loosen the self-locking screw in the shifter knob and take off the knob.
2. Remove the four tamperproof screws that hold the boot cover plate on the shifter case. Lift off the boot and the cover plate.
3. Discard the boot and the foam cushion.
4. If the cushion does not have tape on it, remove the covering on one side of the tape and put it around the outside of cushion. Make sure it is securely attached.
5. With the tape on the cushion, take the outside cov-

er off the tape and install the cushion in the boot. Press the foam against the boot so the tape holds the foam securely in place.

6. Replace the boot.
7. Install the cover plate and the screws. Put the knob on.

Removing the Reverse Latch Pin

See the information in Chapter 2, in the *Game Options* section, under the *Reverse* option. Reverse is not required for the simulator to work correctly.

Replacing a Shifter Potentiometer

If the shifter acts erratically, follow the flowchart in Figure 3-10 to make sure that the problem is with the potentiometers. Before you replace the potentiometers, check that the screws on the ends of the roll link and the pitch link are tight but still allow free movement. If you tighten these screws, do the *Set Controls* screens in the self-test to see if the problem is solved.

The shifter is shown in Figure 3-12.

1. Loosen the self-locking screw in the shifter knob and take off the knob.
2. Remove the four tamperproof screws that hold the boot cover plate on the shifter case. Lift off the boot, the cover plate, and the shifter gate, which has the shift pattern in it.
3. Remove the screw on the tie wrap that holds the clutch harness on the side of the case.
4. Unscrew the nut on the carriage bolt on the left side of the case and slip the long thin pitch bar off the bolt.

Table 3-9 Troubleshooting the Shifter Assembly

Problem	Solution
Shifter does not work or works erratically.	<ol style="list-style-type: none"> 1. Go through the <i>Set Controls</i> screen in the self-test. 2. See Figure 3-10 to determine the cause of the problem. 3. Check voltage level to the main PCB. See Table 3-3. 4. Check the F4 fuse on the power supply. (If this is blown, then the brake pedal will not work either.) 5. Check the setting of the shifter option on the <i>Disable Broken Controls</i> screen. If the shifter potentiometer is not working, set it to <i>broken</i> and repair as soon as possible. If it is working, set the option to <i>working</i>.
Moves in and out of gear freely without using the clutch.	Check the shifter PCB and magnet.
Shifter squeaks and squeals.	Some noise is normal. If you think the noise is excessive, replace the magnet or the magnet plate.

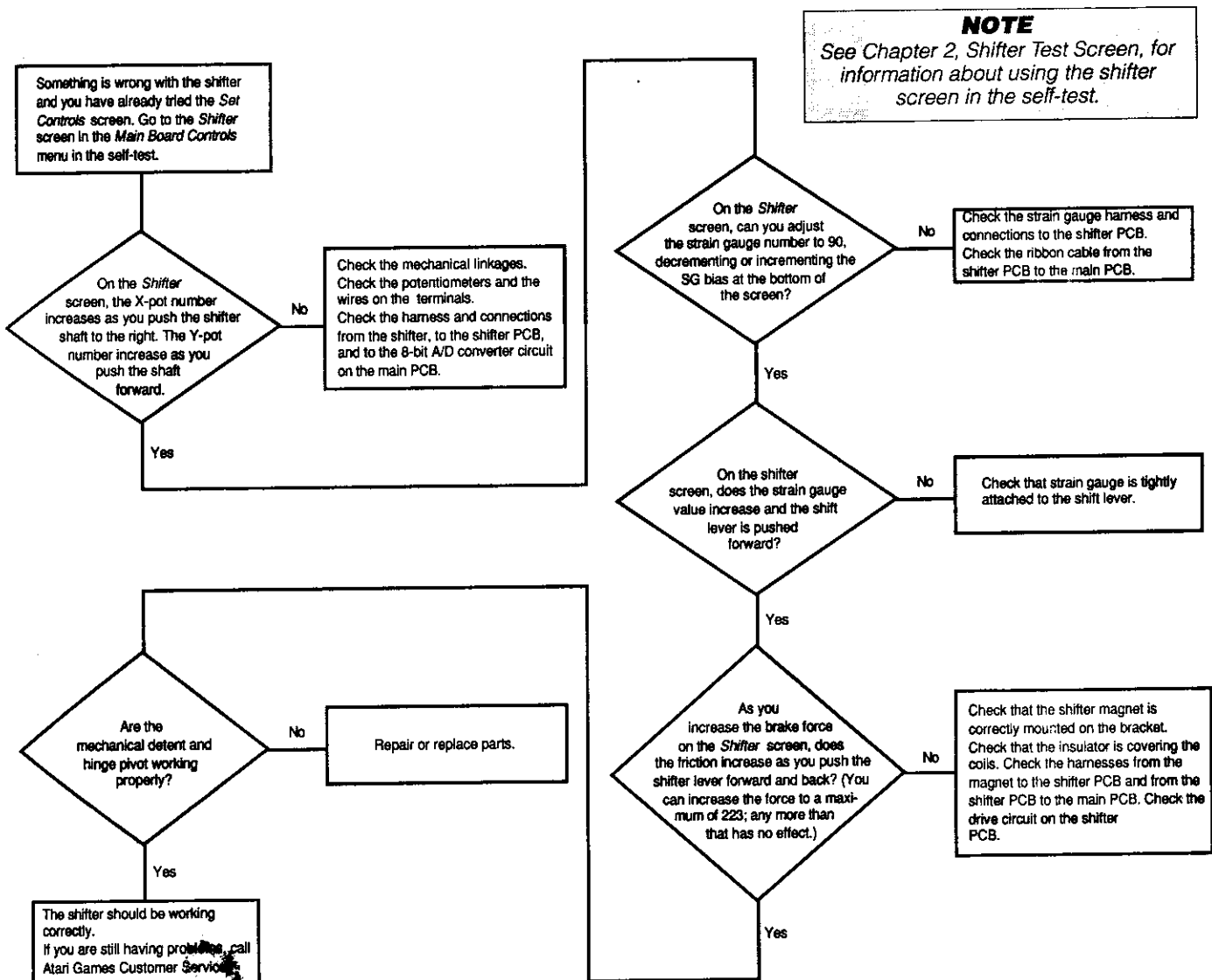


Figure 3-12 Shifter Is Not Working or Working Erratically and You Have Already Tried the Set Controls Screens

5. Inside the case, remove the cotter pin on the right side of the pivot shaft.
6. Push the pivot shaft out of the case through the hole on the outside of the cabinet. Use a screwdriver or a pencil. Disconnect the six-pin connector on the simulator harness from the shifter. Lift the shifter assembly out of the case.
7. Test the locknuts on the end of the roll link and the pitch link and the shoulder screws on the thin roll bar and pitch bar. These should be tight but still allow free movement of the bar and attached link. If these are fine, then go to the next steps. Otherwise, tighten them, assemble the shifter, do the *Set Controls* screens, and check the results on the *Control Inputs* screen.
8. If the screws and nuts are tight, disconnect the harness from the potentiometer that you are replacing. Loosen the nut on the potentiometer shaft with a 1/2-inch flat wrench. Remove the potentiometer.
9. Solder the harness to the new potentiometer. With the shaft facing you and the terminals pointing down, solder the black wire to the left terminal, the white to the middle, and the red to the right.
10. Install the new potentiometer. Put the potentiometer key in the key slot in the shifter. Tighten the nut.

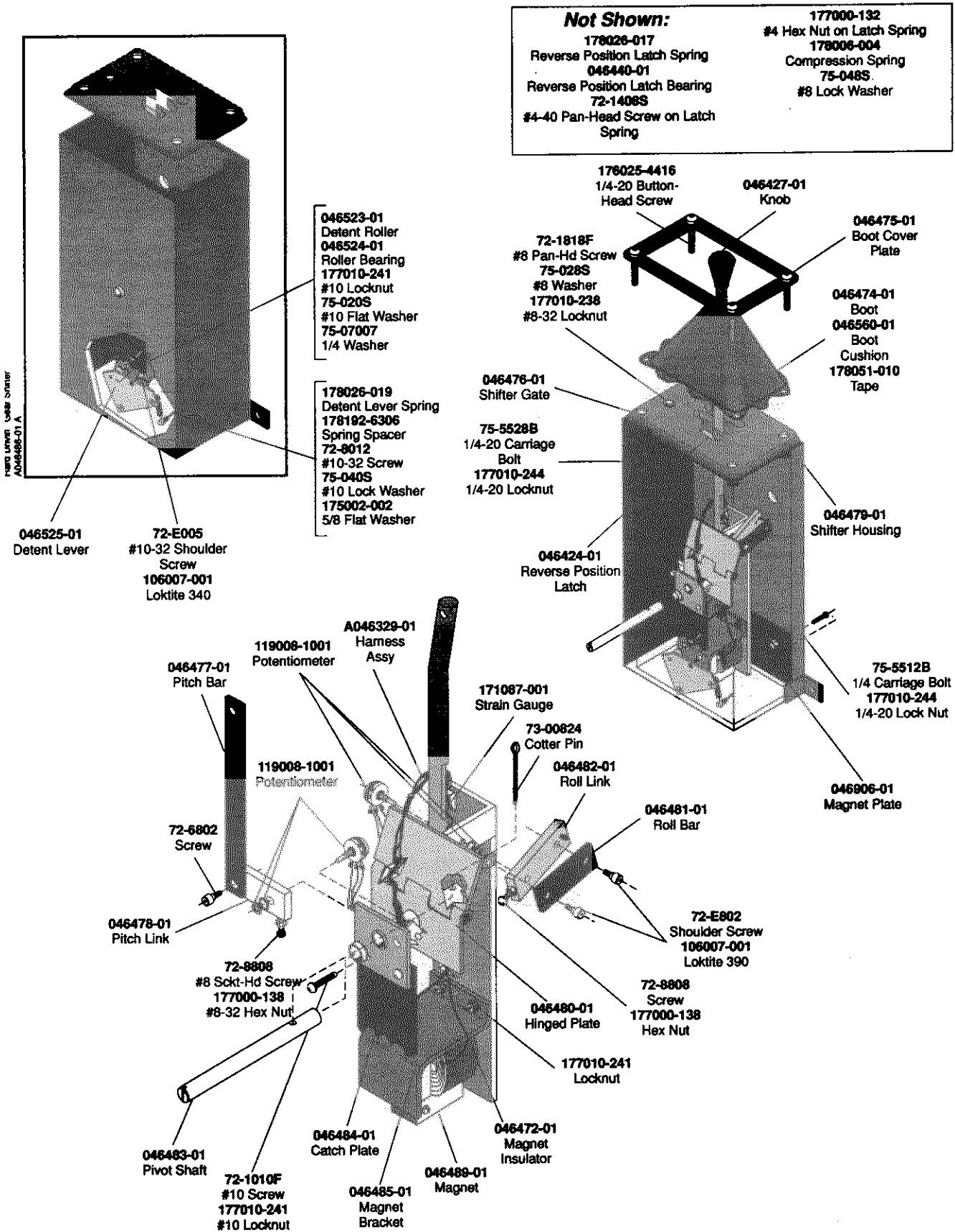


Figure 3-13 Maintaining the Shifter

11. Put the shifter assembly back in the case. Attach the pitch bar to the carriage bolt at the top of the case with the locknut.
12. Attach the simulator harness assembly. Install the screw through the tie wrap on the clutch harness on the side of the shifter case.
13. Line up the tube for the pivot shaft with the holes in the case for the pivot shaft. Insert the shaft into the case from the driver's side with the cotter pin hole on the right and the slotted end on the left.
14. With the pivot shaft through both sides of the case, put a screwdriver on the slotted end and turn the shaft until the holes in the shaft line up with the holes in the tube. Put in the cotter pin. Do not bend the legs of the cotter pin.
15. Put the shifter gate back on, with the latch and the spring facing down. Then put the boot with the foam cushion on, then the boot cover plate. Install the four tamperproof screws. Install the knob.
16. Go into the self-test and perform the *Set Controls* screens.

NOTE

You must perform the Set Controls screens because you replaced the potentiometer. Otherwise the simulator will not operate correctly.

Replacing the Shifter Magnet or Plate

If the shifter squeaks or squeals excessively, you may want to replace the shifter magnet or the plate it rides on. To determine which to replace, take the shifter out of its case, as described below, and check the magnet and the magnet plate. The shifter is shown in Figure 3-12.

1. Loosen the self-locking screw in the shifter knob and take off the knob.
2. Remove the four tamperproof screws that hold the boot cover plate on the shifter case. Lift off the boot, the cover plate, and the shifter gate, which has the shift pattern in it.
3. Unscrew the nut on the carriage bolt on the left side of the case and take the long thin pitch bar off the bolt.
4. Take out the cotter pin on the right side of the pivot shaft.
5. Push the pivot shaft out of the shifter case through the hole on the outside of the cabinet. Use a screwdriver or a pencil. Disconnect the six-pin connector on the simulator harness from the shifter. Lift the shifter assembly out of the case.

Check the the welded face of the magnet that rides on the plate. It should be smooth. The magnet laminates should not be separated or damaged.

The magnet plate should be smooth with no gouges or grooves.

Replacing the Magnet

1. Disconnect the wiring from the magnet to the shifter harness.
2. Unscrew the two locknuts that hold the magnet bracket on the hinged plate assembly. Remove the bracket, magnet, spring, and insulator.
3. Install the new magnet, with the insulator, in the bracket with the spring. Install the bracket on the hinged plate assembly and put on the locknuts.
4. Connect the magnet connectors to the shifter harness.

Replacing the Magnet Plate

1. Remove the two locknuts that hold the plate on the side of the case. Take out the plate.
2. Put in the new plate with the smooth finished side out. Tighten the locknuts to hold it.

Installing the Shifter Assembly in the Case

1. Put the shifter assembly back in the case. Attach the pitch bar to the carriage bolt at the top of the case. Attach the simulator harness assembly.
2. Line up the tube for the pivot shaft with the holes in the case for the pivot shaft. Insert the shaft into the case from the driver's side with the cotter pin hole on the right and the slotted end on the left.
3. With the pivot shaft through both sides of the case, use a screwdriver on the slotted end to turn the shaft until the hole in the shaft lines up with the holes in the tube. Put in the cotter pin. Do not bend the legs of the cotter pin.
4. Put the shifter gate back on, with the latch and the spring facing down. Then put on the boot with the foam and boot cover plate. Install the four tamperproof screws. Install the knob.

Seat Assembly

The seat assembly has two controls: the magnet, which locks the seat in position during the game and slows the seat movement if the driver pushes the seat out of the game very fast; and the potentiometer, which senses the position of the seat and adjusts the steering wheel force.

The steering wheel force becomes lighter as the seat is moved closer to the dashboard. This is so small children, who sit very close, can turn the wheel easily.

The seat assembly does not require any regular maintenance, other than checking for obstructions around the seat movement area on the simulator floor and inside on the metal plate the magnet rides on. If you have difficulties with the seat, see Table 3-10, *Troubleshooting the Seat Assembly*.

Three flow charts help you troubleshoot seat assembly problems. Depending on the type of problem you have, use the following flow charts:

- If the seats moves erratically, follow the flowchart in Figure 3-7.
- If the seat does not lock when it should, follow the flowchart in Figure 3-13.
- If the seat locks when it should not, follow the flowchart in Figure 3-14.

Replacing the Seat Rod End Bearings

Replace both rod ends if the seat turns with difficulty, or the seat squeaks as it rotates. The seat assembly is shown in Figure 3-15.

1. Remove the four tamperproof screws that hold each end plate on the mounting box. Take off the

end plates. Also remove the bottom cover on the mounting box.

2. The rod ends are attached to the pivot blocks with shoulder screws. Use an Allen-head wrench and a flat wrench to remove the screws and nuts.
3. Take out the rod ends and the pivot arm. Remove both rod ends from the pivot arm. Save the nut on the right rod end.
4. Insert the new right rod end into the pivot arm with the nut on the threads. (The left rod end has left-hand threads and will not fit on the right end.)
5. Carefully set the rod ends and pivot arm length to the following dimensions so that the seat assembly rotates correctly.
 - The distance from the center of the hole in left rod end to the point where it goes into the end of the pivot arm must be exactly 1.25 inches. This is for clearance.
 - The distance from center of the hole in one rod end to the center of the hole in the other rod end should be exactly 11.25 inches.
6. Do not tighten the nut on the right rod end yet.
7. Put the rod ends and pivot arm into the seat mounting box, with the right rod end on the right side as you face the simulator. Tighten the socket-head screws and nuts to hold the rod ends on the pivot blocks.

Table 3-10 Troubleshooting the Seat Assembly

Problem	Solution
Action is erratic.	<ol style="list-style-type: none"> 1. Go through the <i>Set Controls</i> screen in the self-test. 2. See Figure 3-7, 3-12, or 3-13 to determine the cause of the problem. 3. Check voltage level to the main PCB. See Table 3-3. 4. Check the setting of the seat option on the <i>Disable Broken Controls</i> screen. If the seat potentiometer is not working, set it to <i>broken</i> and repair as soon as possible. If it is working, set the option to <i>working</i>.
Does not turn easily, does not push in and out, or squeaks.	<ol style="list-style-type: none"> 1. Check for obstructions on the simulator floor and inside the bottom of the simulator. 2. Check the rod end bearings. 3. Check the shaft bearings on the seat shaft. 4. Check the main seat bearings. 5. Check the gears on the seat assembly.
Seat does not lock in place when it should.	<ol style="list-style-type: none"> 1. Go through the <i>Set Controls</i> screen in the self-test. 2. See Figure 3-12 to find out the cause. 3. Check the APU PCB.
Seat is locked when it should not be.	<ol style="list-style-type: none"> 1. Go through the <i>Set Controls</i> screen in the self-test. 2. See Figure 3-14 to find out the cause. 3. Check the APU PCB.
Seat jiggles or twists excessively, and can be pulled up and down.	Does the seat alone do this, or do the seat and the mounting arm jiggle and twist together? If only the seat does it, replace the bearings on the seat pivot. If both the seat and the mounting arm jiggle, twist, and move up and down, replace the main seat bearings.

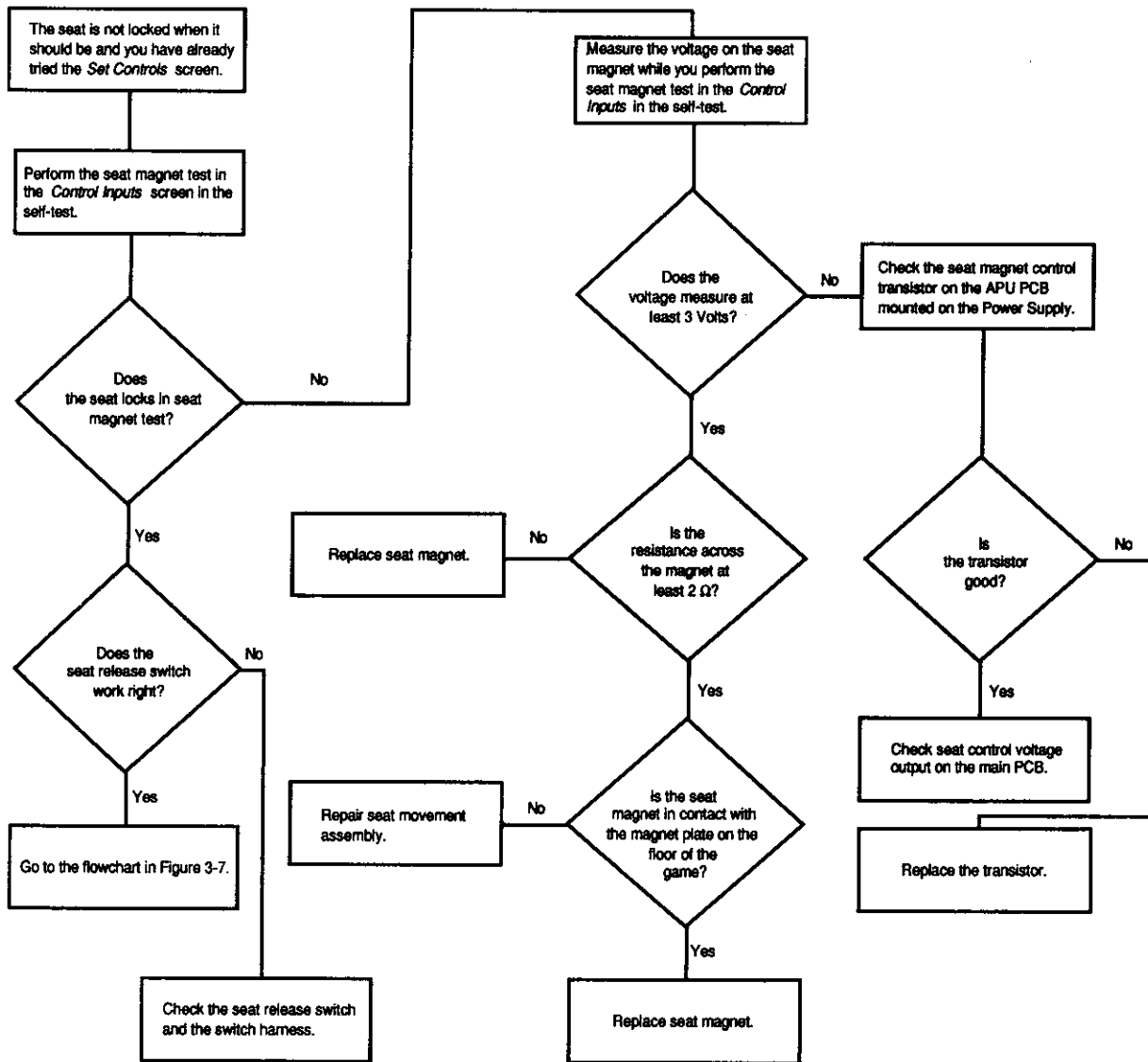


Figure 3-14 Seat Is Not Locked When It Should Be And You Have Already Tried the Set Controls Screens

8. Turn the mounting box until it is parallel to the front of the simulator. The sides of the seat mounting platform should be parallel with the sides of the mounting box too.

If they are not, then screw the pivot arm in or out of the pivot blocks until the sides are parallel. When the mounting box and seat mounting platform sides are parallel to each other and to the sides of the simulator, tighten the nut on the right rod end.

Check the alignment a final time.

9. Install the end plates on the mounting box with the tamperproof screws. Put the bottom cover back on.

Replacing Bearings on the Seat Pivot

The seat pivot bearings turns the seat (not the mounting box). Replace the seat pivot bearings if the seat twists or jiggles excessively or you can pull the seat up and down. (If both the seat *and* the mounting box twist and move up and down, the main bearings may need to be replaced.) The seat assembly is shown in Figure 3-15.

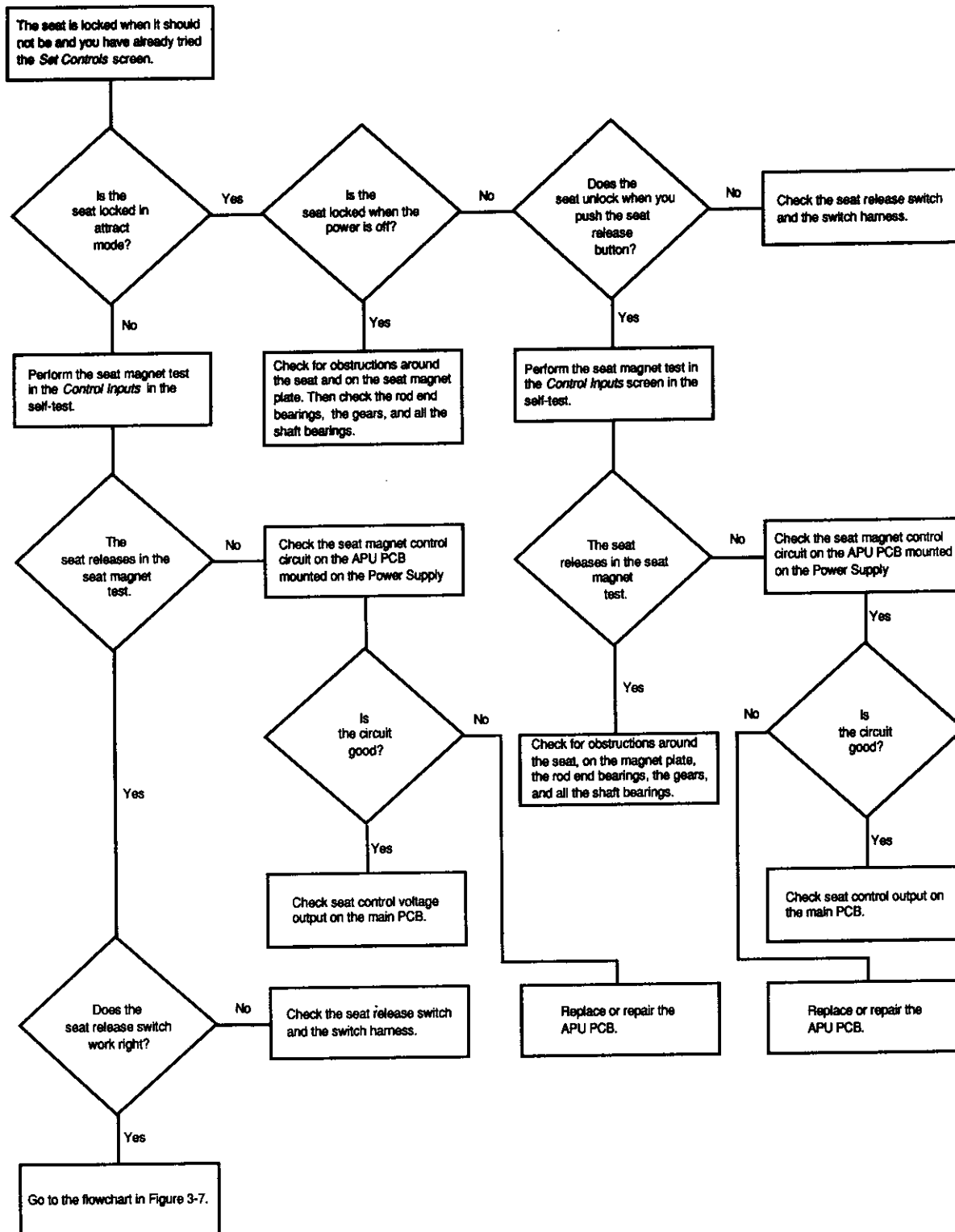


Figure 3-15 Seat Is Locked When It Should Not Be And You Have Already Tried the Set Controls Screens

1. Remove the tamperproof screws that hold each end plate of the mounting box on the seat assembly. Take off the end plates. Remove the bottom cover on the mounting block.
2. Using a punch, hammer out the spring pin in the seat pivot.
3. When the pin is out of the seat pivot, pull up on the seat and remove it.
4. You will need to take the seat mounting box to a machine shop to do the following items:
 - a. Remove the old bearings. (They are press fit.)
 - b. Cut down one of the new bearings to 0.6 inch long. This will be the bottom bearing. (You can use a bearing on the bottom that has not been cut down, but it may catch someone's foot.)
 - c. Turn the bearings to the following specifications.
 - A shaft with a diameter of 1.249 inches should rotate freely in the bearing when a torque of 10 inch-pounds is applied.
 - A shaft with a diameter of 1.254 inches must *not* fit in the bearing.
 - d. Press the bearings on the pivot of the seat mounting plate.
5. Insert the pivot through the new top bearing, the spacer tube, the pivot block, two washers, and the new bottom bearing.
6. Line up the holes for the spring pin in the seat pivot with the holes in the pivot block. Make sure the seat faces the right direction. Put in the spring pin. (You might want to use a 3/8-inch shaft or shoulder screw to hold the position while you are putting in the spring pin.)
7. Make sure the pin is flush with the outer edges of the pivot block.
8. Put the end plate back on and install the four tamperproof screws in each plate.

Replacing the Main Seat Bearings

The main seat bearings are located between the base of the simulator and the seat mounting box. Replace them if the seat mounting box is twisting or jiggling or you can pull the box up and down. (If *only* the seat twists and moves up and down, the seat pivot bearings, not the main bearings, may need to be replaced.) The seat assembly is shown in Figure 3-15.

To replace these bearings, remove the simulator floor and take out the seat assembly. You will need someone to help you.

1. Take out the Phillips-head screws on the back edge

of the floor trim, which is the strip of metal across the middle of the floor. Remove the three Phillips-head screws along the front of the simulator under the rubber floor mat.

2. Turn the seat out of the simulator as far as it will go. Use two screwdrivers to lift and pry up the front corner of the floor. Take out the floor.
3. Before you can take out the seat mechanism, take out the coin module and the shifter. Open the top and bottom coin doors and take off the four locknuts on the carriage bolts on the side of the cabinet.
4. Disconnect the harness from the coin module. Remove the bolts and the coin module.
5. Now take out the shifter. Loosen the self-locking screw in the shifter knob and take off the knob.
6. Remove the four tamperproof screws that hold the shifter boot cover plate on the shifter case. Lift off the boot, the cover plate, and the shifter gate. Disconnect the shifter harness.
7. Take off the locknuts on the two tamperproof screws that hold the shifter on the side of the cabinet and remove the screws.
8. Remove the locknuts that hold the shifter on the seat assembly frame. Remove the shifter.
9. Disconnect the simulator harness from the seat assembly. Remove all the screws and nuts that hold the seat assembly in the simulator. Tip the seat back until the seat frame clear the floor. Push the seat assembly towards the pedals until the assembly is out from under the floor.

CAUTION

The gears and potentiometer are on the bottom of the assembly under the floor in front of the license plate. Do not damage these parts when you push the seat assembly forward and up.

-
10. When the assembly is clear of the floor, pull the assembly out of the simulator.

WARNING

The seat assembly is heavy. Be careful.

-
11. Remove the four tamperproof screws that hold each end plate of the mounting box on the seat assembly. Take off the end plates. Remove the bottom cover on the mounting block.
 12. Remove the rod ends and the pivot arm from the pivot block inside the mounting box. The rod ends are attached to the pivot blocks with shoulder

- screws. Use an Allen-head wrench and a flat wrench to remove the screws and nuts. Take out the rod ends and pivot arm and lay the assembly aside.
13. Remove the potentiometer bracket with the potentiometer gear and small gear from the bottom of the seat assembly.
 14. Remove the large half gear on the bottom of the main shaft. You may want to turn the assembly on its side to do this.
 15. Using a punch, hammer out the spring pin in the bottom of the main shaft in the magnet arm. Remove the magnet arm.
 16. Turn the seat until you can pull the seat mounting box off the seat assembly frame.
 17. Take the seat assembly frame to a machine shop to do the following items:
 - a. Remove the old bearings. (They are press fit.)
 - b. Turn the new bearings to the following specifications.
 - A shaft with a diameter of 1.624 inches should rotate freely in the bearing when a torque of 10 inch-pounds is applied.
 - A shaft with a diameter of 1.629 inches must *not* fit in the bearings.
 - c. Press the new bearings into the seat frame.
 18. Insert the main shaft through the top bearing, the shaft holder, the bottom bearing, and the magnet arm.
 19. Line up the hole in the shaft for the spring pin with the hole in the magnet arm. Make sure the seat faces the right direction. Install the spring pin.
 20. Put the rod ends and pivot arm assembly back into the seat mounting box, with the right rod end on the right side. Tighten the shoulder screws and nuts to hold the rod ends on the pivot blocks. Do not install the end plates or the bottom cover on the mounting box until the seat assembly is in the simulator.
 21. Install the potentiometer bracket tightly on the bottom of the assembly.
 22. Turn the small gear on the potentiometer shaft until its set screw is directly below the center terminal on the potentiometer.
 23. Turn the seat so that when the large half gear is installed, the flat edge is opposite the small gear and is parallel to the sides of the assembly. Install the gear. Tighten the screws well.
 24. Lift the assembly into the simulator. Push it forward and then back to ease it into position, under the floor. Be careful not to damage the gears and the potentiometer.
 25. Install all the screws and nuts that hold the seat assembly in the simulator.
 26. Reinstall the coin box and re-connect the harness.
 27. Put the shifter back in the simulator. Put the lock-nuts on the tamperproof screws and the carriage bolts. Re-connect the harness.
 28. Put the shifter gate back on, with the latch and the spring facing down. Then put on the boot with the foam cushion and install boot cover plate over the boot. Install the four tamperproof screws in the cover plate. Install the knob.
 29. Re-install the floor. Put in the screws in the front of the floor and in the metal floor trim.
 30. Turn the mounting box until it is parallel to the front of the simulator. The sides of the seat mounting platform should be parallel with the sides of the mounting box too.

If they are not, then screw the pivot arm in or out of the pivot blocks until the sides are parallel. When the mounting box and seat mounting platform sides are parallel to each other and to the sides of the simulator, tighten the nut on the right rod end.

Check the alignment a final time.
 31. Install the end plates on the mounting box with the tamperproof screws. Put the bottom cover back on.
 32. Enter the self-test and go through the *Set Controls* screens.

NOTE

You must go through the Set Controls screen in the self-test because you repaired the seat assembly. If you do not do this, the seat will not work right.

Replacing the Gears on the Seat Assembly

If the seat is not turning easily or does not turn at all, do the following:

- Check for obstructions on the simulator floor.
- Check for obstructions on the magnet plate below the floor. Do the following:
 1. Take out the Phillips-head screws on the back edge of the floor trim, which is the strip of metal across the middle of the floor. Remove the three

Not Shown:

- A046334-01
Seat Flex Harness Assy
- 175012-0155
2-Inch O.D. Washer
- 046371-01
Tube (between pivot block and upper bearing in seat mounting box)
- A046333-01
Seat Harness
- 106007-001
Loktite

Seat is rotated for illustration purposes.

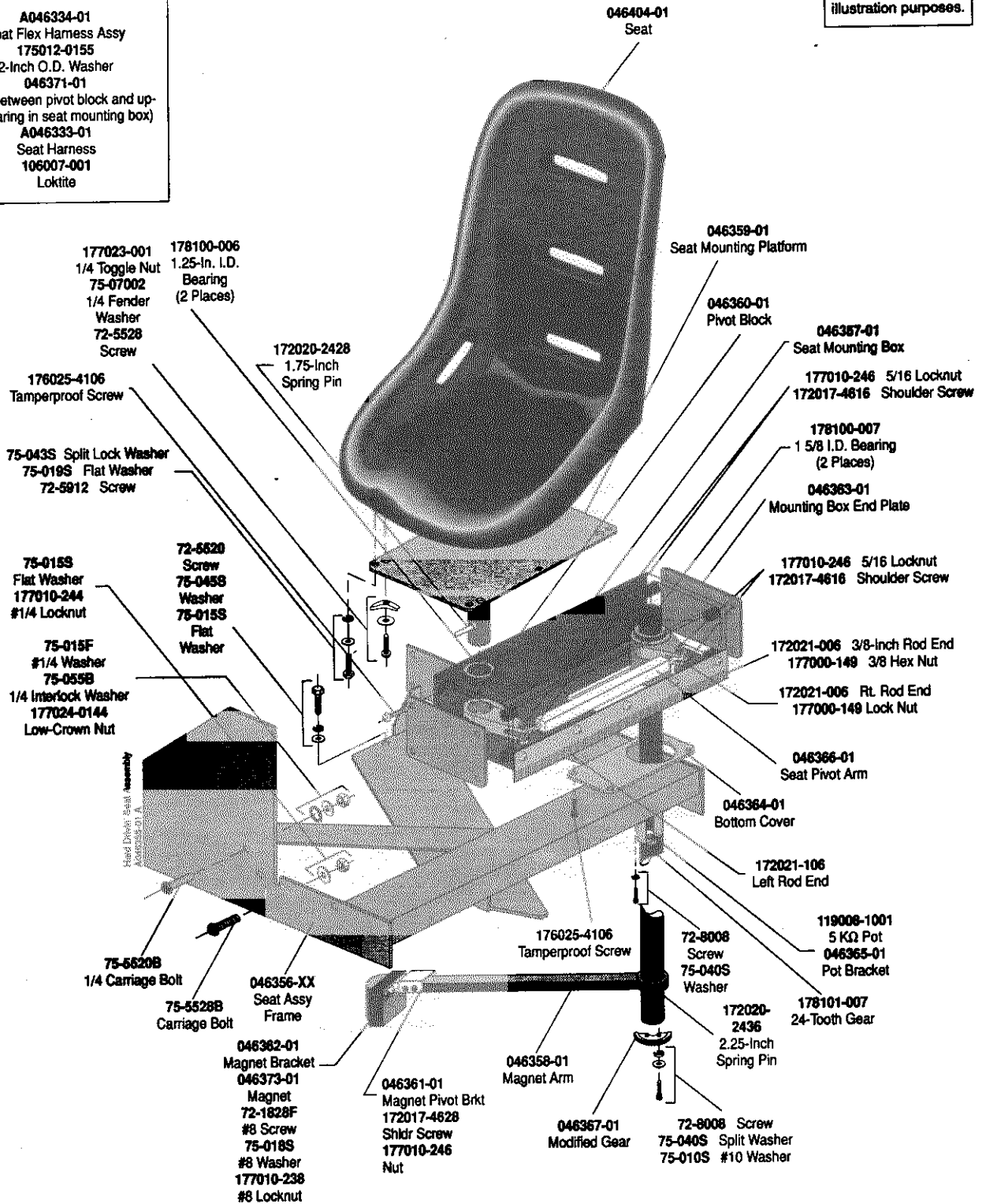


Figure 3-16 Maintaining the Seat Assembly

Phillips-head screws along the front of the simulator under the rubber floor mat.

2. Turn the seat out of the simulator as far as it will go. Use two screwdrivers on the front corner of the floor to lift and pry the floor up. Take out the floor.
 3. Check for obstructions on the metal plate.
- Check the rod end bearings to make sure they are turning.
 - Check for broken or missing gears. Lift up the simulator or turn it on its side, with the seat high, and look through the hole in the bottom of the simulator at the gears.

WARNING

This simulator weighs 750 pounds. Be extremely careful when you lift it, turn it, or work on it so that it does not fall.

Look in the hole directly underneath the main seat shaft. You should see two gears. The small gear is mounted on the potentiometer. The large gear is mounted on the bottom of the main shaft.

If the gears are broken, cracked, or missing, you must replace them.

Replacing the Small Gear

1. Remove socket-head screws which hold the potentiometer bracket in the simulator and pull the potentiometer bracket and the small gear a little ways out of the simulator. See Figure 3-15.
2. Loosen the small set screw on the small gear hub. Use a 5/64-inch Allen wrench. Pull off the gear.
3. Turn the potentiometer in the bracket until the flat of the potentiometer shaft is directly below the center terminal.
4. Install the bracket in the simulator. Make sure the socket-head screws in the bracket are tight so it will not fall off.
5. Turn the seat so that the flat edge of the large half gear is opposite the potentiometer and is parallel to the sides of the simulator.
6. Install the new gear on the potentiometer shaft. Do not turn the shaft while you are putting the gear on. Put Loktite on the set screw. Tighten the set screw.
7. Put the simulator back on the floor.
8. Go into the self-test and perform the *Set Controls* screens.

NOTE

You must go through the Set Controls screen in the self-test. If you do not do this, the seat will not work right.

Replacing the Large Gear

1. Turn the seat so it will not move.
2. Remove the two socket-head screws holding the large gear on the main shaft. Take off the gear.
3. Install the new gear. Make sure that it meshes with the small gear. Tighten the socket-head screws so the gear will not fall off.
4. If the seat did not turn or move while you were replacing this gear, you are done. If the seat *did* move, do the following:
 - a. Take out the potentiometer bracket. Turn the small gear until its set screw is directly below the center terminal on the potentiometer.
 - b. Turn the seat so that the flat edge of the large half gear is parallel to the front of the simulator and is opposite the place where the potentiometer bracket is installed.
 - c. Install the potentiometer bracket in the simulator. Make sure the gears do not turn from the position they are set in. Tighten the socket-head screws on the bracket.
 - d. Put the simulator back on the floor.
5. Go into the self-test and perform the *Set Controls* screen.

NOTE

You must go through the Set Controls screen in the self-test. If you do not do this, the seat will not work right.

Replacing the Magnet on the Seat Assembly

Before you replace the magnet because the seat does not lock, go through the flowchart in Figure 3-13 to make sure the magnet is the problem.

You must remove the floor as described in steps 1 and 2, below, to get access to the magnet.

1. Remove the Phillips-head screws on the back of the floor trim, which is the strip of metal across the middle of the floor.

2. Remove the three Phillips-head screws along the front of the simulator under the rubber floor mat. Turn the seat out of the simulator as far as it will go. Pry up the floor using two screwdrivers. Remove the floor.
3. Turn the seat so you can see the magnet. The magnet is attached to the arm by a bracket that permits the magnet to move freely. Check the harness to the magnet.
4. After going through the flowchart in Figure 3-13 and determining that the magnet must be replaced, do the following steps.
5. Unscrew the two Phillips-head screws that hold the magnet on the magnet bracket and disconnect the harness.
6. Discard all the hardware that came with the new magnet and install the magnet with the Phillips-head screws and nuts. Re-connect the harness.
7. Re-install the floor. Insert the screws that hold the floor and the metal floor trim in the simulator.

Replacing the Seat Potentiometer

Replace seat potentiometer if you have tried the *Set Controls* screens, you have followed the flowchart in Figure 3-7, and you are sure the problem is the potentiometer. (If the seat does not lock or locks when it should not, the problem is *not* the potentiometer.)

If you cannot repair the seat immediately, you can disable the seat potentiometer circuit. Read about what the seat potentiometer circuit does before you disable it with the *Disable Broken Controls* screen.

The seat potentiometer senses the location of the seat which determines the steering wheel force. The closer the seat is to the dashboard, the lighter the force is on the steering wheel. This is so small children, who sit very close, can turn the steering wheel easily. If you disable the seat potentiometer circuit, the steering wheel force is light in all positions. (If the *Steering Wheel Force* in the *Game Options* screen is set to *medium* (the default) the force will be light. If it is set to *light*, the force will be very light.)

Operate the simulator with the seat potentiometer circuit disabled *only a temporary measure*. Repair the seat potentiometer as soon as possible. Disable the circuit by going to the screen *Disable Broken Controls* in the self-test and choosing *broken* under *seat pot*. After you repair the potentiometer, remember to choose *working* again.

The potentiometer is mounted next to the end of the main shaft on the seat and has soldered connections. The seat is shown in Figure 3-15.

To replace the potentiometer, turn the simulator on its side or securely prop up the front of the simulator. In either case, you will need help, since the simulator is very heavy. You may find it easier to work on the simulator by turning it on its side, with the corner with the seat shaft high.

WARNING

This simulator weighs 750 pounds. Be extremely careful when you lift it, turn it, or work on it so that it does not fall.

1. In the hole directly underneath the main seat shaft, you can see two gears. The small gear is mounted on the potentiometer in the potentiometer bracket. Remove the socket-head screws that hold the potentiometer bracket in the simulator and bring the potentiometer bracket out of the simulator.
2. Loosen the set screw on the small gear hub. Use a 5/64-inch Allen wrench.
3. Loosen the locknut on the potentiometer shaft and take the potentiometer out of the bracket. Take off the harness wires. Leave the ground wire attached to the bracket.
4. Put the new potentiometer in the bracket, and put the key in the hole in the bracket. The connectors should be on the same side as the ground wire bracket. Tighten the nut on the shaft.
5. Bend the potentiometer connectors up, but not so they touch the bracket. Solder the black wire nearest the ground wire, the yellow wire in the middle, and the red wire on the other side.
6. Install the bracket back in the game. Tighten the socket-head screws on the bracket so it will not fall off.
7. Turn the potentiometer until the flat of the potentiometer shaft is directly below the center terminal.
8. Turn the seat so that the flat edge of the large half gear is opposite the potentiometer and is parallel to the sides of the simulator.
9. Install the new gear on the potentiometer shaft. Do not turn the shaft or the seat while you are putting the gear on. Put Loktite on the set screw. Tighten the set screw.
10. Put the simulator back on the floor.
11. Go into the self-test and perform the *Set Controls* screens.

Video Display

If you have problems with the video display, check Table 3-11, *Troubleshooting the Video Display*, before you remove the display.

Removing the Video Display

Perform the following procedure to remove the video display. (See Figure 3-16.)

1. Turn the simulator power off and wait two minutes. Leave the power cord plugged in.

WARNING
High Voltage

The video display contains lethal high voltages. To avoid injury, do not service this display until you observe all precautions necessary for working on high-voltage equipment.

X-Radiation

The video display is designed to minimize X-radiation. However, to avoid possible exposure to soft X-radiation, never modify the high-voltage circuitry.

Implosion Hazard

The cathode-ray tube may implode if struck or dropped. The shattered glass from the tube may cause injury up to six feet away. Use care when handling the display.

4. Discharge the high voltage from the cathode-ray tube (CRT). The display assembly contains a circuit for discharging the high voltage to ground when power is removed. However, to make certain, always discharge the display as follows:
 - a. Attach one end of a solid 18-gauge wire to a well-insulated screwdriver or wooden handle.
 - b. Attach the other end of the wire to an earth ground.
 - c. Quickly touch the blade end of the screwdriver to the CRT anode by sliding it under the anode cap.
 - d. Wait two minutes and repeat part c.
5. Disconnect the harness connectors from the video display.
6. Remove the motor amplifier assembly from the cabinet side.
7. Remove the four screws and washers that hold the video display on the shelf.
8. Pull the video display out of the back of the cabinet.

WARNING

When you take the video display out of the cabinet, do not drop it! The display is heavy. Be careful!

Wear gloves to protect your hands from the sheet-metal edges.

9. Replace the video display as described in the following procedure.

Replacing the Video Display

Perform the following procedure to replace the video display in the cabinet. (See Figure 3-16.)

2. While you wait, remove the six screws that hold the small top service panel on the simulator.
3. Disconnect the simulator harness to the attraction sign. Remove the large outside panel that the attraction sign is mounted on by taking off the carriage bolts that hold the panel on the simulator.

Table 3-11 Troubleshooting the Video Display

Problem	Solution
Any problem.	Determine if the problem is with the display or the simulator hardware by performing the self-test. If you cannot perform the self-test, use the DIP switch diagnostics to narrow down the source of the problem.
Convergence, purity or color problems.	Check the voltage level to the video display PCB. Check the video display settings with the Monitor Test Screens in the self-test.

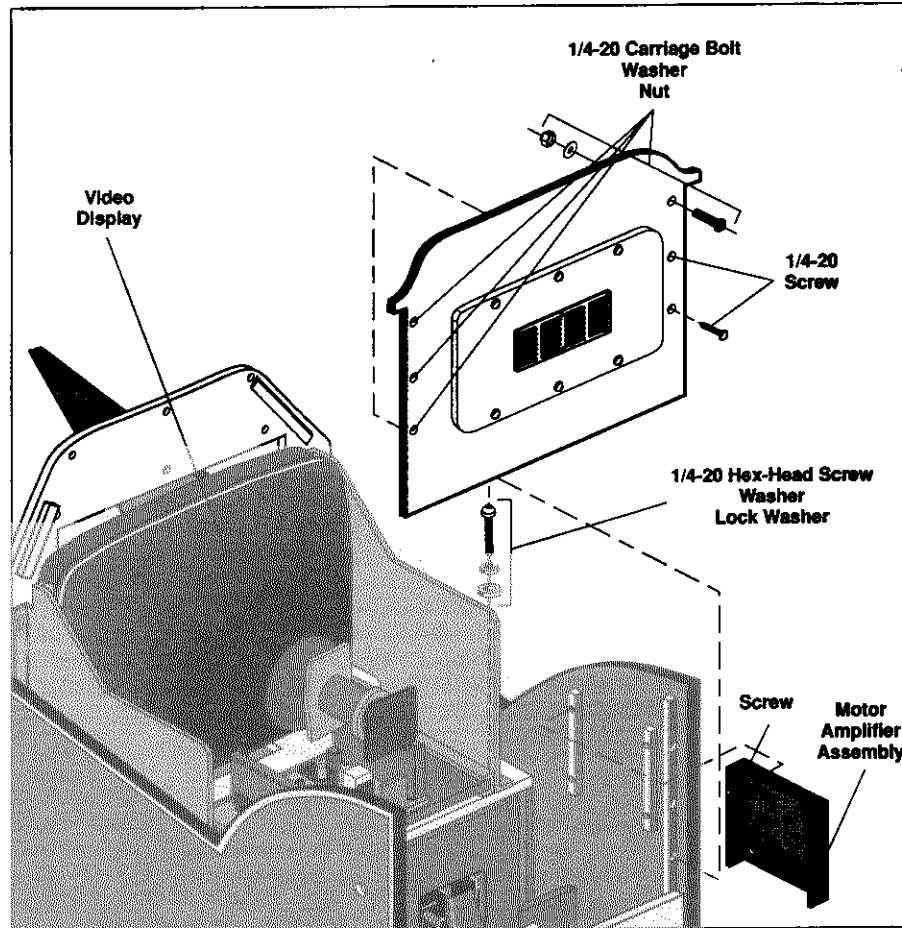


Figure 3-17 Removing the Video Display

NOTE

Before you replace the display in the simulator, clean the screen and the inside of the shield. Carbon particles from the motor collect on the surfaces and obscure the view.

1. Carefully lift the video display onto the display shelf in the cabinet.

NOTE

When you replace the cathode-ray tube and yoke together, adjust the brightness, size, and centering as described in the video display service manual.

Check the purity and convergence according to the service manual instructions, but adjust both only if required.

2. Position the display so that the four holes in the video display mounting brackets line up with the four holes in the video display shelf.
3. Loosely install the four hex-head screws and washers through the mounting brackets and into the video display shelf.
4. Push the video display forward against the bezel.
5. Be sure that the display is centered horizontally in the bezel. Tighten the screws.
6. Install the motor amplifier assembly on the side of the cabinet.
7. Connect the harness connectors to the video display.
8. Replace the large and small top service panels.

Motor Amplifier Assembly

Removing the Motor Amplifier Assembly

1. Turn the simulator power off and wait two minutes. Leave the power cord plugged in.

WARNING

The PCBs in this assembly contain lethal high voltages. To avoid injury, do not remove the assembly until you observe all precautions necessary for working on high-voltage equipment.

2. Unplug the power cord.
3. Take off the harness to the PC boards.
4. Remove the entire assembly from the cabinet. Do not remove the PC boards from the heat sink.
5. Send the entire assembly back to your distributor for trade-in.

Speakers

If you have problems with a speaker, check Table 3-12, *Troubleshooting the Speakers*, before you replace it.

Removing a Speaker

1. Turn the simulator power off.
2. Remove the dashboard, following the directions in the section *Removing the Dashboard*.

CAUTION

Be careful when handling the speaker. The cone material is fragile and can be easily damaged.

3. Remove and replace the speaker.
4. Install the dashboard, following the directions in the section *Installing the Dashboard*.

Static-Sensitive Devices

Replacing Static-Sensitive Devices

Be careful when you work with static-sensitive devices on the simulator PCBs. These devices can be microprocessors, field-effect transistors (FET), complementary metal-oxide semiconductors (CMOS), and other large-scale integration (LSI) devices that use metal-oxide semiconductor (MOS) technology.

These devices can fail from a static charge that has built up in your body. They can also fail because of leakage from an improperly grounded soldering iron.

Before you handle a static-sensitive device or a PCB with such devices attached to it, ground any static voltage that may have accumulated in your body by touching an object that is earth-grounded. If you solder a static-sensitive device, use a soldering iron with a properly grounded three-wire cord.

Before you replace a static-sensitive device, make sure that the device actually is defective. A static-sensitive device can appear defective due to leakage on a PCB.

Table 3-12 Troubleshooting the Speakers

Problem	Solution
No sound	Make sure the volume is turned up. If the volume is turned up, do the following: Do the self-test to make sure you do not have a sound PCB problem. Check the voltage level to the sound PCB. Check the wiring. Replace the speaker if defective. If none of the above work, the problem may be on the APU PCB or the main PCB.

To check if a device is defective, ground any static voltages as described in the paragraph above. Clean both sides of the PCB with flux remover or an eraser. For discrete FETs, clean thoroughly between the gate, drain, and source leads. Then test the device.

A new static sensitive device may be packaged in conductive foam or may have a protective shorting wire attached to the pins. Remove the conductive foam just prior to inserting the device into its socket or soldering it to a PCB. Remove the shorting wire only after the device is inserted into its socket or after all the leads are soldered in place.

Cleaning the Coin Mechanism

Use a soft-bristled brush to remove loose dust or foreign material from the coin mechanism. Use a toothbrush to remove any stubborn build-up of residue in the coin path. After cleaning the coin mechanism, blow out the dust with compressed air.

Cleaning the Interior Components

Perform the following procedure to clean the components inside the cabinet.

1. Open the small top service panel and bottom service door.
2. Discharge the high voltage from the cathode-ray tube (CRT) before proceeding. The display assembly contains a circuit for discharging the high volt-

age to ground when power is removed. However, to make certain, always discharge the display as follows:

WARNING

Turn off the AC power, but do not unplug the power cord before cleaning inside the cabinet. The power cord provides a ground path for stray static voltages that can be present on the cleaning tools.

- a. Attach one end of a solid gauge wire to a well-insulated screwdriver or wooden handle.
 - b. Attach the other end of the wire to an earth ground.
 - c. Quickly touch the blade end of the screwdriver to the CRT anode by sliding it under the anode cap.
 - d. Wait two minutes and repeat part c.
3. Use a vacuum cleaner with a soft long-bristled brush attachment or use a soft-bristled paint brush to remove loose dirt and dust accumulated on the inside of the cabinet. Be sure to clean the power supply, PCB assemblies, and video display thoroughly.
-

CAUTION

Be extremely careful when cleaning the electrical components inside the cabinet. Do not touch the electrical components with any solid object other than the soft bristles of the vacuum attachment or paint brush.

Illustrated Parts Lists

This chapter provides information you need to order parts for your game.

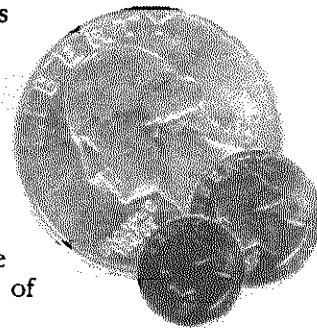


The parts lists (except for the PCB parts lists) are arranged alphanumerically by Atari part number. All A-prefix numbers, which are assemblies, come first. Next are part numbers with six numbers followed by a hyphen (000598- through 201000-). Ending the list are part numbers with a two-number designation followed by a hyphen (00- through 99-).

The PCB parts lists are arranged in alphabetical order by component. Within each section the parts are arranged numerically by part number.

When you order parts, give the part number, part name, the number of this manual, and the serial number of your game. With this information, we can fill your order rapidly and correctly. We hope this will create less downtime and more profit from your games.

Atari Games
Customer Service
phone numbers
are listed on the
inside front cover of
this manual.



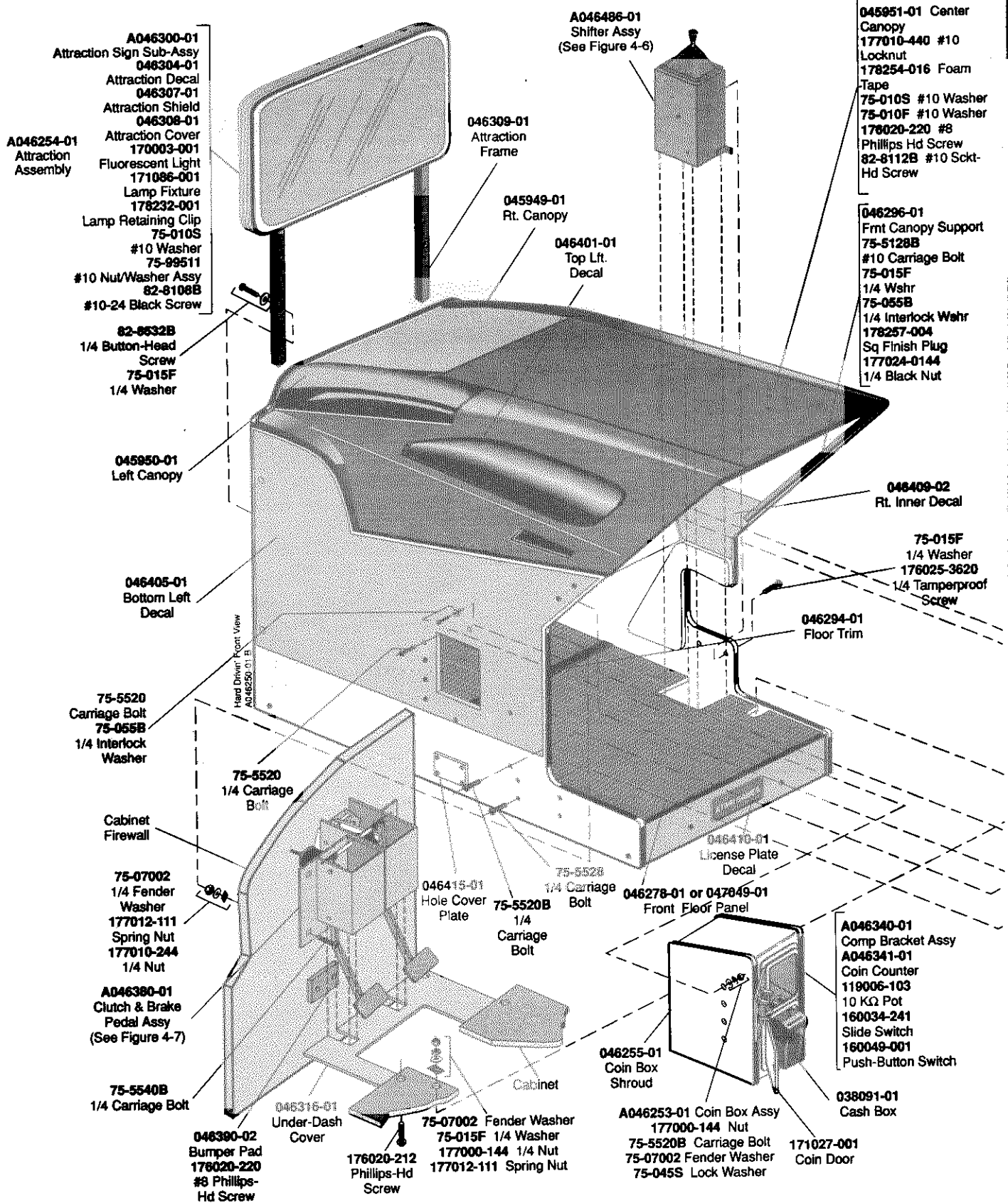
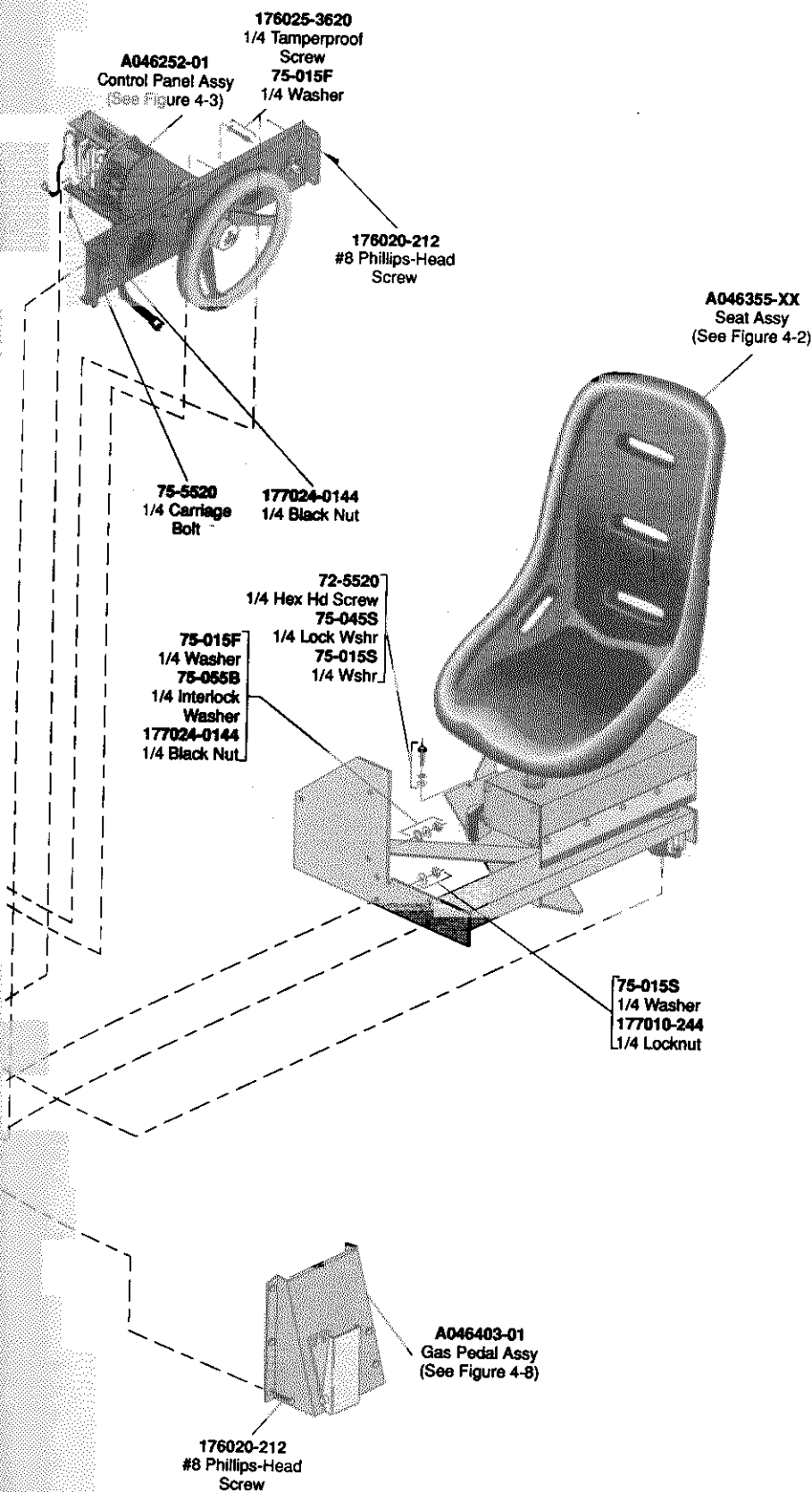


Figure 4-1 Cabinet-Mounted Assemblies, Front View
A046250-01 F



- Not Shown:**
- A043705-01 Fan Cord Assy
 - A046338-01 Attraction Harness Assy
 - A046321-01 Main Harness Assy
 - A046322-01 Power Harness Assy
 - A046323-01 AC Harness Assy
 - A046324-01 Video Harness Assy
 - A046325-01 Motor Interconnect Harness Assy
 - A046326-01 PCB Interconnect Harness Assy
 - A046335-01 Shifter Ribbon Cable Assy
 - A046336-01 Motor Ribbon Cable Assy
 - A046337-01 PCB Ribbon Cable Assy
 - A039254-01 Component Bracket Harness Assy
 - 048401-02 Top Rt. Decal
 - 048409-01 Lft. Inner Decal
 - 148007-104 Speaker
 - 178126-002 Tamperproof Hex Key Driver
 - 75-015F 1/4 Black Washer
 - 82-8532B 1/4 Button-Hd Screw (holding attraction frame to attraction sign sub-assy)

Figure 4-1 Cabinet-Mounted Assemblies, Front View, Continued
A046250-01 F

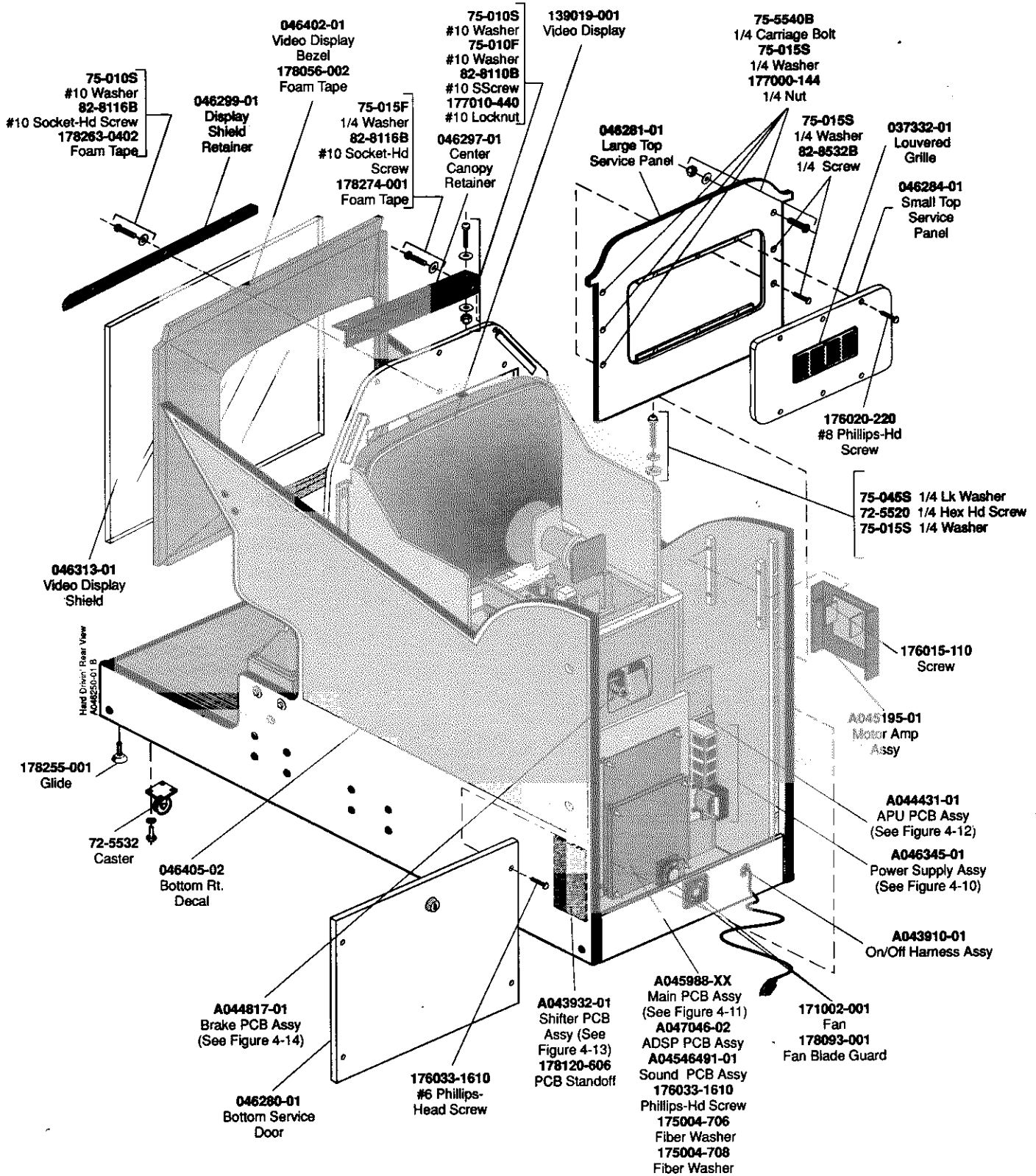


Figure 4-1 Cabinet-Mounted Assemblies, Rear View
A046250-01 F

Cabinet-Mounted Assemblies Parts List

Part No.	Description	Part No.	Description
A043705-01	12-Inch Fan Cord Assembly	045949-01	Right Canopy
A043910-01	On/Off Harness Assembly	045950-01	Left Canopy
A043932-01	Shifter PCB Assembly (See Figure 4-13)	045951-01	Center Canopy
A044431-01	APU PCB Assembly (mounted on Power Supply Assembly) (See Figure 4-12)	046255-01	Coin Box Shroud
A044817-01	Brake PCB Assembly (mounted on Clutch and Brake Assembly) (See Figure 4-14)	046278-01	Front Floor Panel ³ (for Seat Assembly A046355-01)
A045195-01	Motor Amplifier Assembly	046280-01	Bottom Service Door
A045988-XX	Hard Drivin' Main PCB Assembly ¹ (See Figure 4-11)	046281-01	Large Top Service Panel
A047046-02	ADSP PCB Assembly	046284-01	Small Top Service Panel
A046252-01	Control Panel Assembly (See Figure 4-3)	046294-01	Floor Trim
A046253-01	Coin Box Assembly	046296-01	Front Canopy Support
A046254-01	Attraction Assembly. Replaceable Parts:	046297-01	Center Canopy Retainer
A046300-01	Attraction Sign Sub-Assembly	046299-01	Display Shield Retainer
A046338-01	Attraction Harness Assembly	046309-01	Attraction Frame
046304-01	Attraction Decal	046313-01	Monitor Shield
046307-01	Attraction Shield	046316-01	Under-Dash Cover
046308-01	Attraction Cover	046390-02	Bumper Pad
170003-001	18-Inch, 15 Watt Fluorescent Light	046401-01	Top Left Decal
171086-001	18-Inch Fluorescent Lamp Fixture	046401-02	Top Right Decal
178232-001	Fluorescent Lamp Retaining Clip	046402-01	Video Display Bezel
75-010S	#10 Washer	046405-01	Bottom Left Decal
75-99511	#10 Nut/Washer Assembly	046405-02	Bottom Right Decal
82-8108B	#10-24 x 1/2-Inch Black Screw	046409-01	Left Inner Decal
A046256-01	Cabinet	046409-02	Right Inner Decal
A046321-01	Main Harness Assembly	046410-01	Number Plate Decal
A046322-01	Power Harness Assembly	046415-01	Hole Cover Plate
A046323-01	AC Harness Assembly	047049-01	Front Floor Panel ³ (for Seat Assembly A046355-03)
A046324-01	Video Harness Assembly	139019-001	25-Inch Framed Color Raster, Medium Resolution Video Display
A046325-01	Motor Interconnect Harness Assembly	148007-104	4 1/2-Inch Diameter, 8Ω, 10W Shielded Speaker
A046326-01	PCB Interconnect Harness Assembly	171002-001	Exhaust Fan
A046335-01	Ribbon Cable Assembly to the Shifter	171027-001	Coin Door (See Figure 4-9)
A046336-01	Ribbon Cable Assembly to the Motor	175004-706	.154 I.D., .375 O.D. Fiber Washer
A046337-01	Ribbon Cable Assembly to the PCBs	175004-708	.190 I.D., .640 O.D. Fiber Washer
A046340-01	Component Bracket Assembly	176020-208	#8 x 1/2-Inch Black Phillips-Head Screw
A039254-01	Component Bracket Harness Assembly	176020-212	#8 x 3/4-Inch Black Phillips-Head Screw
A046341-01	Coin Counter Assembly	176020-220	#8 x 1 1/4-Inch Black Phillips-Head Screw
119006-103	10 KΩ Potentiometer Audio Taper	176025-3620	1/4 Black Tamperproof Screw
160034-241	Slide Switch	176033-1610	#6 x 5/8-Inch Phillips-Head Screw
160049-001	Push-Button Switch	177000-144	1/4 Hex Nut
A046345-01	Power Supply Assembly (See Figure 4-10)	177010-244	1/4-20 Polymer Locknut
A046355-XX	Seat Assembly ² (See Figure 4-2)	177010-440	#10-24 Polymer Locknut
A046380-01	Clutch And Brake Pedal Assembly (See Figure 4-7)	177012-111	Push On Spring Nut
A046403-01	Gas Pedal Assembly (See Figure 4-8)	177024-0144	1/4-20 Low Crown Black Nut
A046486-01	Shifter Assembly (See Figure 6-6)	178056-002	1/2-Inch Wide Foam Tape
A046491-01	Sound PCB Assembly	178093-001	Fan Blade Guard
038091-01	Cash Box		

Cabinet-Mounted Assemblies Parts List

Part No.	Description	Part No.	Description
178120-606	PCB Standoff	75-5520B	1/4-20 x 1 1/4-Inch Round Head, Square Neck Black Carriage Bolt
178126-002	Tamperproof Hex Key Driver	75-5528B	1/4-20 x 1 3/4-Inch Round Head, Square Neck Black Carriage Bolt
178254-016	Double-Coated Acrylic Foam Tape	75-5540B	1/4-20 x 2 1/2-Inch Black Carriage Bolt
178255-001	Adjustable Swivel Glide		
178257-004	Black Square Finish Plug	75-07002	1/4 Fender Washer
178263-0402	1/4-Inch Wide Foam Tape	75-99516	#6-32 Nut/Washer Assembly
178274-001	Black Adhesive Back Foam	75-99518	#8-32 Nut/Washer Assembly
72-5116	#10-24 Hex Head Screw	82-8112B	#10-24 x 5/8-Inch Black Hex Socket Button-Head Screw
72-5520	1/4-20 x 1 1/4 Hex Head Screw		
72-5532	4 1/2-Inch Swivel Caster	82-8116B	#10-24 x 1-Inch Black Hex Socket Button-Head Screw
72-5528	1/4 x 3/4 Inch Hex Head Screw	82-8532B	1/4-20 x 2-Inch Black Button-Head Screw
75-010F	#10 Flat Black Washer		
75-010S	#10 Flat Washer		
75-015F	1/4 Steel Flat Black Washer		
75-015S	1/4 Flat Washer		
75-040S	#10 Steel Split-Lock Washer		
75-045S	1/4 Steel Split-Lock Washer		
75-055B	1/4 Steel Black Oxide Interlock Washer		
75-5128B	#10-24 x 1 3/4-Inch Black Carriage Bolt		
			<i>Documentation for the Hard Drivin' simulator:</i>
		SP-327	Hard Drivin' Schematic Package
		ST-327	Hard Drivin' Self-Test Label
		TM-295	Wells-Gardner 25-Inch, Med Res, Color Display Service Manual (for Model 25K5515)
		TM-327	Hard Drivin' Operator's Manual

- ¹ A045988-01 is the U.S. version.
A045988-02 is the German version.
A045988-03 is the right-hand drive British version.
- ² A046355-01 is the seat assembly with a 1/4-inch metal plate that is bolted to the left side of the cabinet (as shown in Figure 4-2).
A046355-03 is the seat assembly without a 1/4-inch metal plate that is bolted to the left side of the cabinet.
A046355-03 replaces A046355-01.
- ³ Front floor panel 046278-01 goes with seat assembly A046355-01. It has the cutout for the metal plate on the seat assembly that is bolted to the left side of the cabinet.
Front floor panel 047049-01 goes with seat assembly A046355-03. However, seat assembly A046355-03 can use front floor panel 046278-01 if it is already installed.

Not Shown:
A046334-01
 Seat Flex Harness Assy
175012-0155
 2-inch O.D. Washer
046371-01
 Tube (between pivot block and upper bearing in seat mounting box)
A046333-01
 Seat Harness
106007-001
 Loktite

Seat is rotated for illustration purposes.

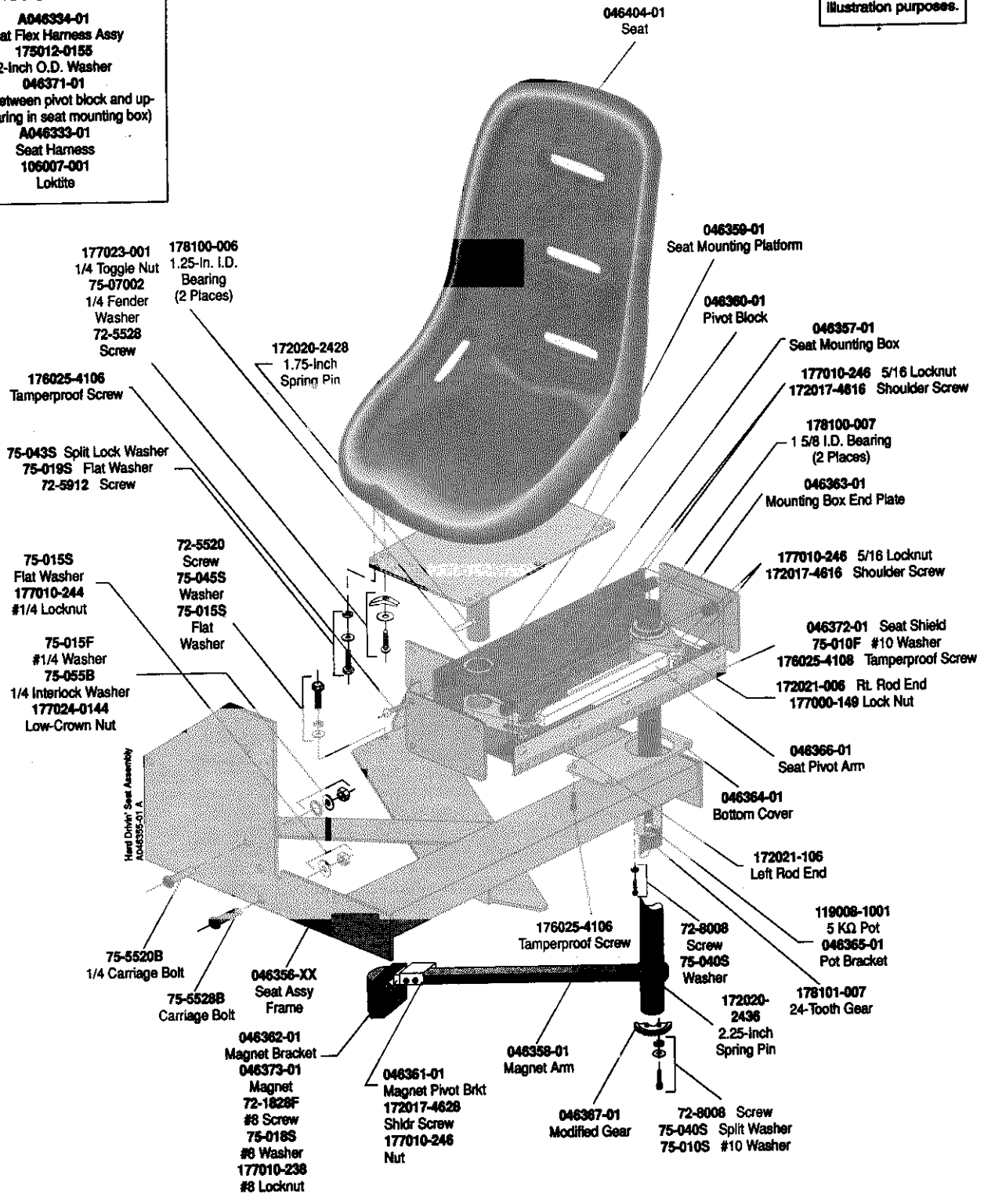


Figure 4-2 Seat Assembly
A046355-XX¹ E

Seat Assembly Parts List

Part No.	Description	Part No.	Description
A046333-01	Seat Harness Assembly	176025-4106	#10-32 x 3/8-Inch Tamperproof Screw
A046334-01	Seat Flex Harness Assembly	176025-4108	#10-32 x 1/2-Inch Tamperproof Screw
046356-01	Metal Seat Frame	177000-149	3/8-24 Hex Nut
046357-01	Seat Mounting Box	177010-238	#8-32 Polymer Locknut
046358-01	Magnet Arm	177010-244	#1/4-20 Polymer Locknut
046359-XX	Seat Mounting Platform ²	177010-246	5/16-18 Polymer Lock Nut
046360-01	Seat Pivot	177023-001	1/4-20 Toggle Nut
046361-01	Magnet Pivot Bracket	177024-0144	Low-Crown Nut
046362-01	Magnet Bracket	178100-007	1 5/8-Inch I.D. Bronze Bearing
046363-01	Mounting Box End Plate	178100-006	1.25-Inch I.D. Bronze Bearing
046364-01	Bottom Cover for Mounting Box	178101-007	24-Tooth Spur Gear
046365-01	Potentiometer Bracket	72-1828F	#8-32 x 1 3/4-Inch Phillips-Head Screw
046366-01	Seat Pivot Arm	72-5516	#1/4-20 x 1-Inch Hex-Head Screw
046367-01	Modified Gear	72-5528	#1/4-20 x 1 3/4-Inch Hex-Head Screw
046371-01	Tube	72-5520	1/4-20 x 1 1/4-Inch Hex-Head Screw
046372-01	Seat Shield	72-5912	5/16-18 x 3/4-Inch Hex-Head Screw
046404-01	Seat	72-8008	#10-32 x 1/2-Inch Socket-Head Screw
046373-01	Magnet	75-010F	#10 Flat Black Washer
106007-001	Loktite 290	75-010S	#10 Flat Washer
119008-1001	5 K Ω Potentiometer	75-015F	#1/4 Flat Black Steel Washer
172017-4616	5/16-18 x 1-Inch Long Shoulder Socket-Head Screw	75-015S	#1/4 Flat Washer
172017-4628	5/16-18 x 1.75-Inch Long Shoulder Socket-Head Screw	75-018S	#8 Flat Washer
172020-2428	.375-Inch Diameter x 1.75-Inch Slotted Spring Pin	75-019S	5/16 Flat Steel Washer
172020-2436	.375-Inch Diameter x 2.25-Inch Slotted Spring Pin	75-040S	#10 Split Lock Washer
172021-006	3/8-Inch Diameter, 3/8-24 Rod End	75-043S	5/16 Steel Split-Lock Washer
172021-106	3/8-Inch Diameter, 3/8-24 Rod End—Left Hand Thread	75-045S	1/4 Steel Split-Lock Washer
175012-0155	1.25-Inch I.D. Washer	75-055B	1/4 Interlock Washer
		75-5520B	1/4-20 x 1 1/4-Inch Round Head, Square Neck Black Carriage Bolt
		75-5528B	1/4-20 x 1 1/2-Inch Round Head, Square Neck Black Carriage Bolt
		75-07002	1/4 Fender Washer

¹ A046355-01 is the seat assembly with 046359-01, the seat mounting platform, which has a 1/4-inch vertical metal plate that is bolted to the left side of the cabinet (as shown in Figure 4-2).

A046355-03 is the seat assembly with 046359-03, the seat mounting platform, without the vertical metal plate on the left side.

A046355-03 replaces A046355-01.

² 046359-01 is the seat mounting platform with the 1/4-inch vertical metal plate that is bolted to the left side of the cabinet.

046359-03 is the seat mounting platform without the 1/4-inch vertical metal plate.

046359-03 replaces 046359-01.

Not Shown:
A046327-01
 Key Switch Harness Assy
177010-240
 #10-24 Locknut

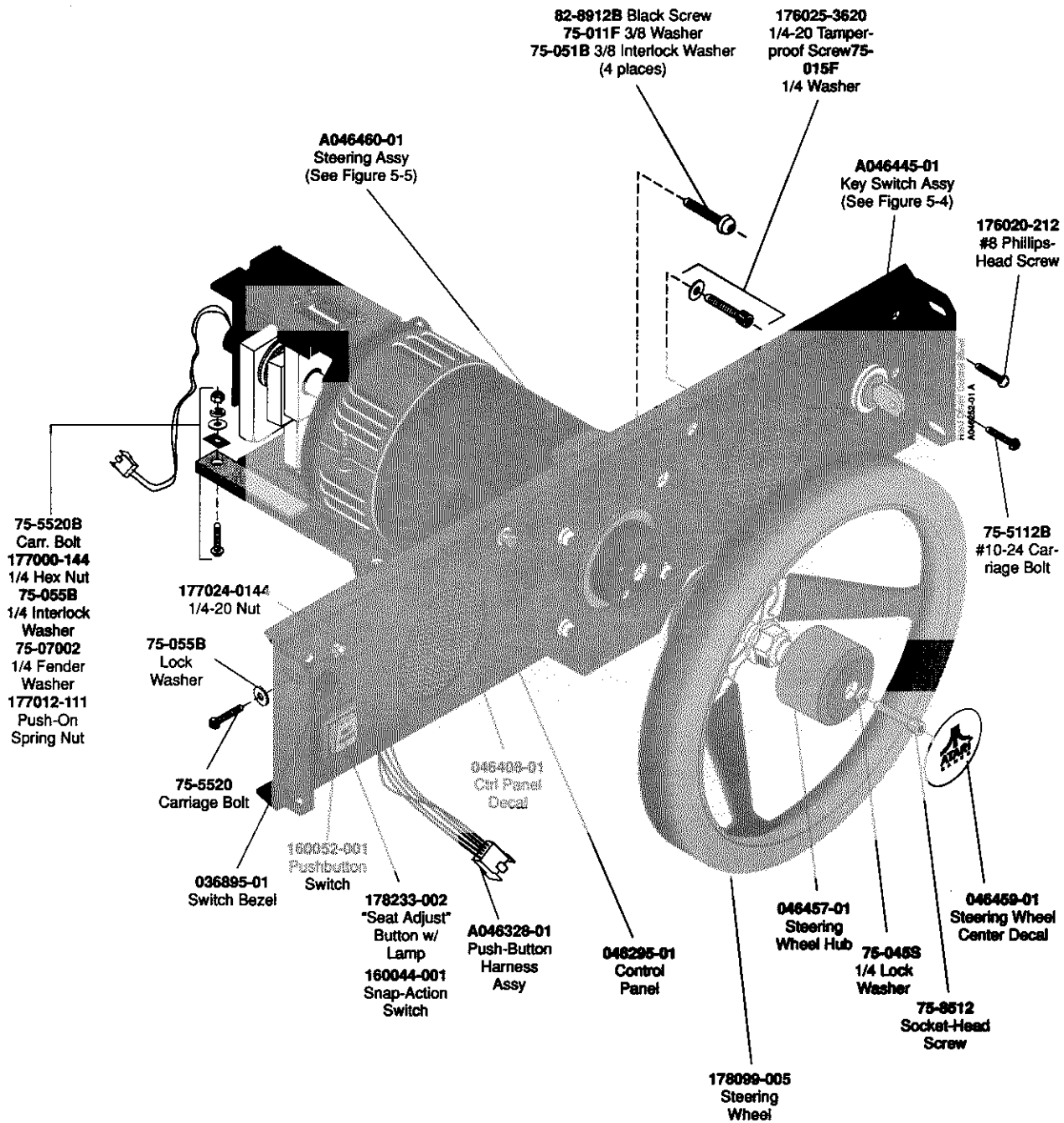
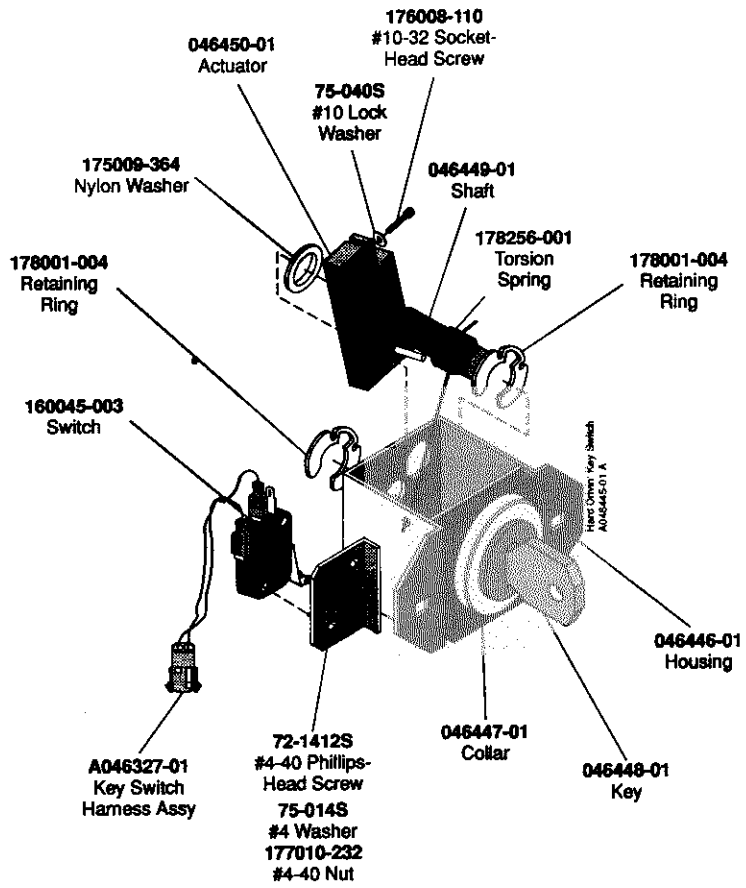


Figure 4-3 Dashboard Assembly
A046252-01 C

Dashboard Assembly Parts List

Part No.	Description	Part No.	Description
A046327-01	Key Switch Harness Assembly	177000-144	1/4 Hex Nut
A046328-01	Push Button Harness Assembly	177010-240	#10-24 Polymer Locknut
A046445-01	Key Switch Assembly	177012-111	Push-On Spring Nut
A046460-01	Steering Assembly	177024-0144	1/4-20 Low Crown Nut
036895-01	Push Button Switch Bezel	178233-002	6.3 V "Seat Adjust" Button With Lamp Assembly
046295-01	Control Panel	72-8512	1/4-20 x 3/4-Inch Socket-Head Screw
046408-01	Control Panel Decal	75-015F	1/4 Flat Steel Washer
046654-01	Motor Support Plate	75-045S	1/4 Split-Lock Washer
106007-001	Loktite 390	75-055B	1/4 Interlock Washer
160044-001	5V/5mA SPDT Snap-Action Switch	75-5108B	#10-24 x 1/2-Inch Black Carriage Bolt
160052-001	Red, Lighted, SPDT Pushbutton Switch	75-5520B	1/4-20 x 1 1/4-Inch Black Carriage Bolt
176020-212	8 x 3/4-Inch Phillips-Head Screw	75-07002	1/4 Fender Washer
176025-3620	1/4-20 x 1 1/4-Inch Black Tamperproof Screw	82-8916B	3/8-16 x 1-Inch Black Button-Head Screw

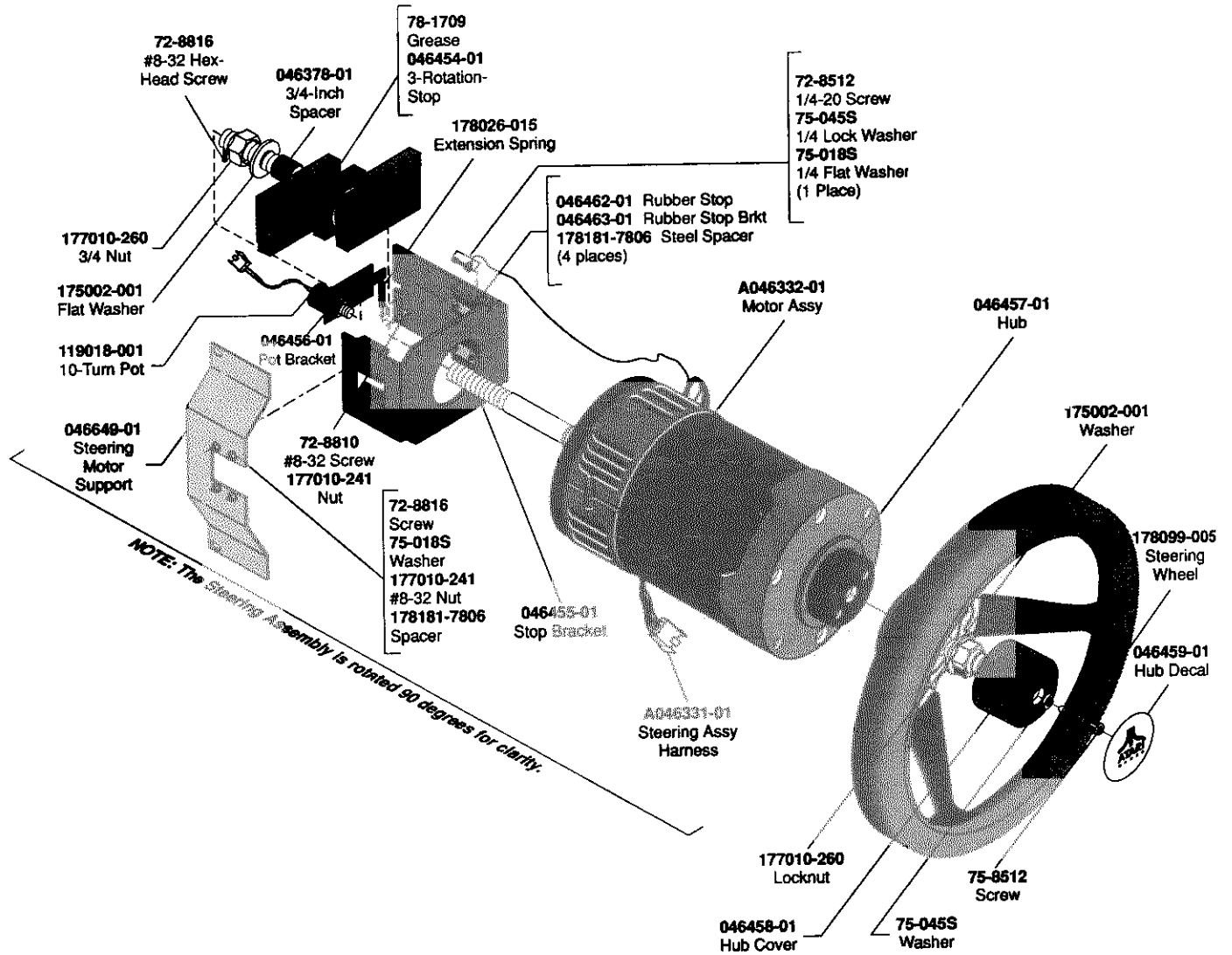
Not Shown:
 172020-0814
 Spring Pin
 72-8006
 #10-32 Socket-Head
 Screw
 75-040S
 #10 Split-Lock Washer



**Figure 4-4 Key Switch Assembly
 A046445-01 C**

Key Switch Assembly Parts List

Part No.	Description	Part No.	Description
046446-01	Housing	177010-232	#4-40 Nut
046447-01	Collar	175009-364	Nylon Washer
046448-01	Key	178001-004	1/2-Inch Retaining Ring
046449-01	Shaft	178256-001	Torsion Spring
046450-01	Actuator	72-1412S	#4-40 x 3/4-Inch Phillips-Head Screw
107029-001	Lithium Grease	72-8006	#10-32 x 3/8-Inch Socket-Head Screw
160045-003	SPDT Switch	75-014S	#4 Flat Washer
172020-0814	0.125-Inch x 0.875-Inch Slotted Spring Pin	75-040S	#10 Split-Lock Washer
176008-110	#10-32 x 5/8-Inch Nyloc Socket-Head Screw		



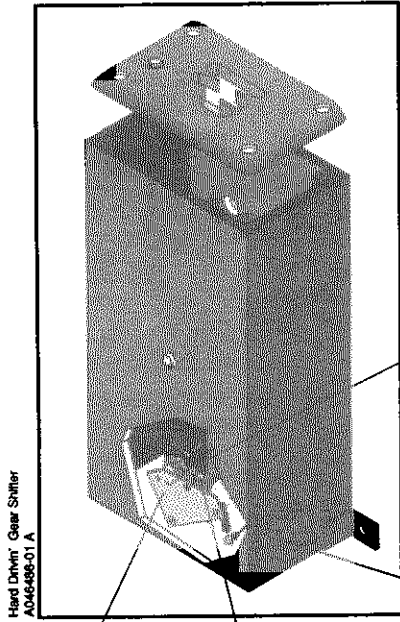
**Figure 4-5 Steering Assembly
A046460-01 C**

Steering Assembly Parts List

Part No.	Description	Part No.	Description
A046331-01	Steering Assembly Harness	177010-238	#8-32 Nyloc Nut
A046332-01	Motor Assembly	177010-260	3/4-16 Nyloc Nut
046378-01	3/4-Inch Spacer	177011-260	3/4-16 Thin Nyloc Nut
046454-01	3-Rotation Stop	178026-015	3/16-Inch O.D. x 1 3/8-Inch Extension Spring
046455-01	Stop Bracket	178099-005	12-Inch Steering Wheel
046456-01	Potentiometer Bracket	178181-7806	3/8-Inch Long Steel Spacer
046457-01	Steering Wheel Hub	72-8512	1/4-20 x 3/4-Inch Hex-Head Screw
046458-01	Hub Cover	176022-3806	#8-32 x 3/8-Inch Hex-Head Screw
046459-01	Steering Wheel Hub Decal	72-8810	#8-32 x 5/8-Inch Hex-Head Screw
046462-01	Rubber Stop	72-8816	#8-32 x 1-Inch Hex-Head Screw
046463-01	Rubber Stop Bracket	75-015S	1/4 Flat Washer (for ground wire)
046649-01	Steering Motor Support	75-018S	#8 Flat Washer
106007-001	Loktite 390	75-045S	1/4 Split-Lock Washer
119018-001	10-Turn Potentiometer	78-1709	Grease
175002-001	0.750-Inch Flat Shaft Washer		
176022-3806	#8-32 x 3/8-Inch Thread Lock Hex-Head Screw		

Not Shown:

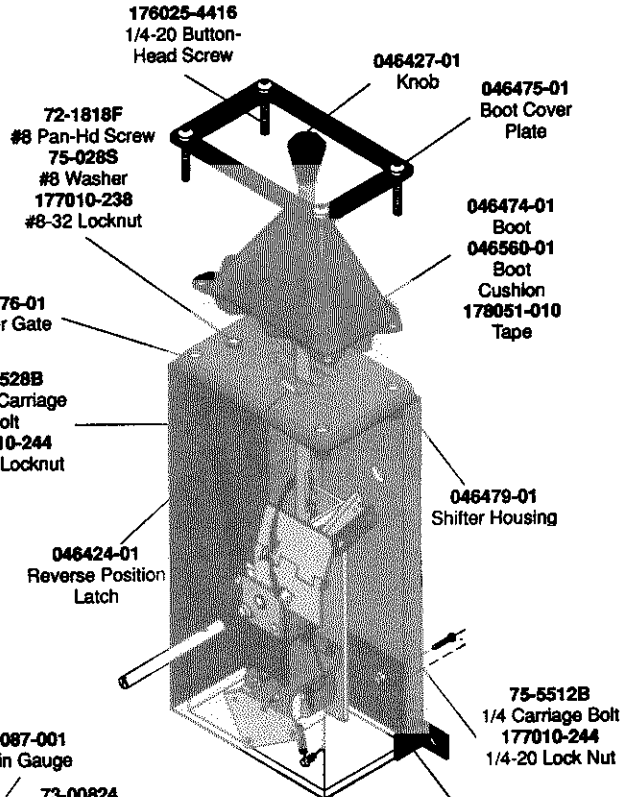
178026-017 Reverse Position Latch Spring	177000-132 #4 Hex Nut on Latch Spring
046440-01 Reverse Position Latch Bearing	178006-004 Compression Spring
72-1408S #4-40 Pan-Head Screw on Latch Spring	75-048S #8 Lock Washer
	178026-017 Latch Extension Spring



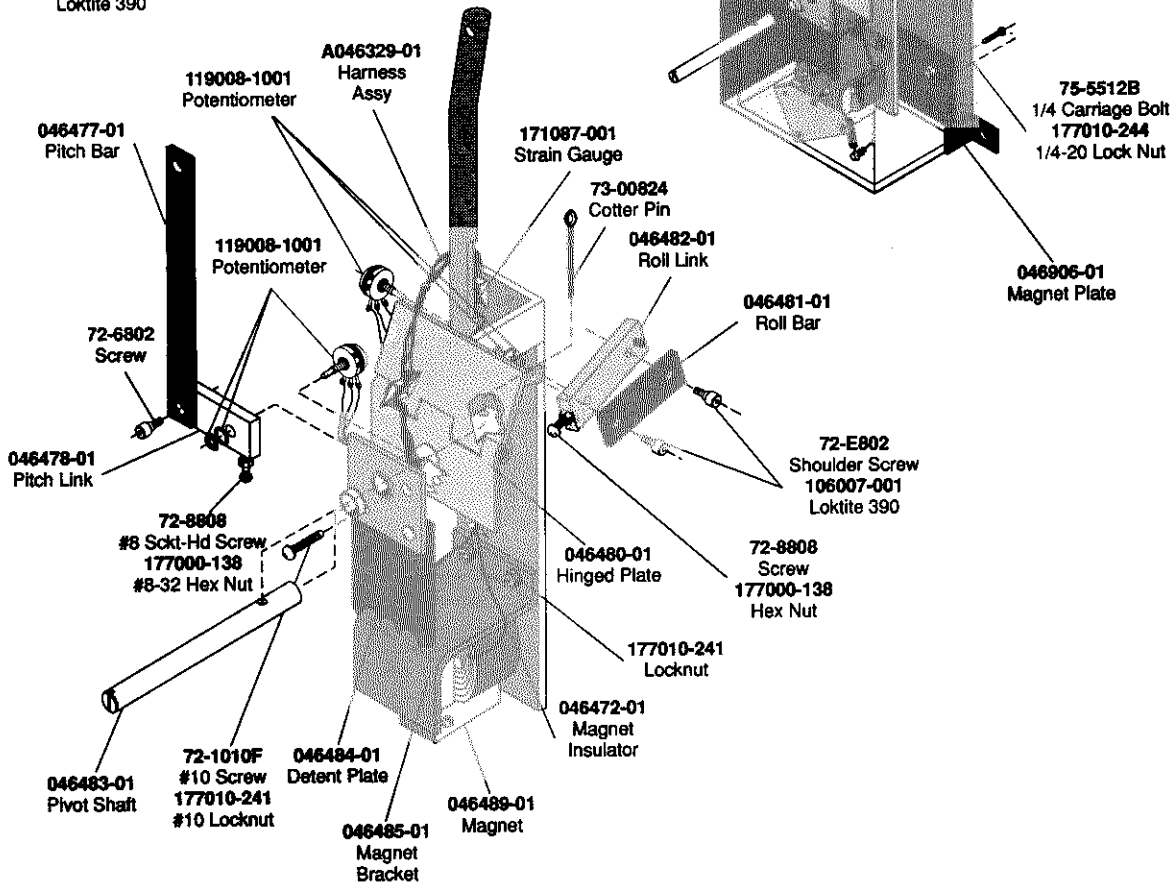
Hard Drive Gear Shifter
A046486-01 A

- 046523-01 Detent Roller
- 046524-01 Roller Bearing
- 177010-241 #10 Locknut
- 75-020S #10 Flat Washer
- 75-07007 1/4 Washer
- 178026-019 Detent Lever Spring
- 178192-6306 Spring Spacer
- 72-8012 #10-32 Screw
- 75-040S #10 Lock Washer
- 175002-002 5/8 Flat Washer

- 046525-01 Detent Lever
- 72-E005 #10-32 Shoulder Screw
- 106007-001 Loktite 390



- 176025-4416 1/4-20 Button-Head Screw
- 046427-01 Knob
- 046475-01 Boot Cover Plate
- 046474-01 Boot
- 046560-01 Boot Cushion
- 178051-010 Tape
- 046476-01 Shifter Gate
- 75-5528B 1/4-20 Carriage Bolt
- 177010-244 1/4-20 Locknut
- 046424-01 Reverse Position Latch
- 046479-01 Shifter Housing
- 75-5512B 1/4 Carriage Bolt
- 177010-244 1/4-20 Lock Nut




- 119008-1001 Potentiometer
- A046329-01 Harness Assy
- 046477-01 Pitch Bar
- 119008-1001 Potentiometer
- 72-6802 Screw
- 046478-01 Pitch Link
- 72-8808 #8 Sckt-Hd Screw
- 177000-138 #8-32 Hex Nut
- 046483-01 Pivot Shaft
- 72-1010F #10 Screw
- 177010-241 #10 Locknut
- 046484-01 Detent Plate
- 046485-01 Magnet Bracket
- 046489-01 Magnet
- 171087-001 Strain Gauge
- 73-00824 Cotter Pin
- 046482-01 Roll Link
- 046481-01 Roll Bar
- 72-E802 Shoulder Screw
- 106007-001 Loktite 390
- 72-8808 Screw
- 177000-138 Hex Nut
- 046480-01 Hinged Plate
- 177010-241 Locknut
- 046472-01 Magnet Insulator
- 046906-01 Magnet Plate

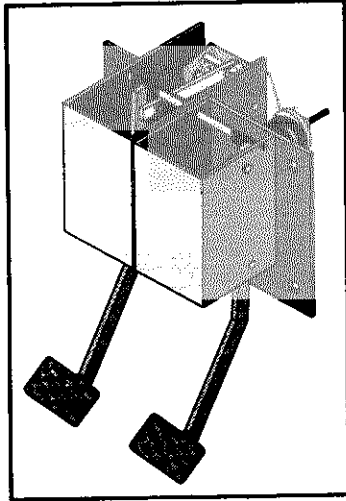
Figure 4-6 Shifter Assembly
A046486-01 C

Shifter Assembly Parts List

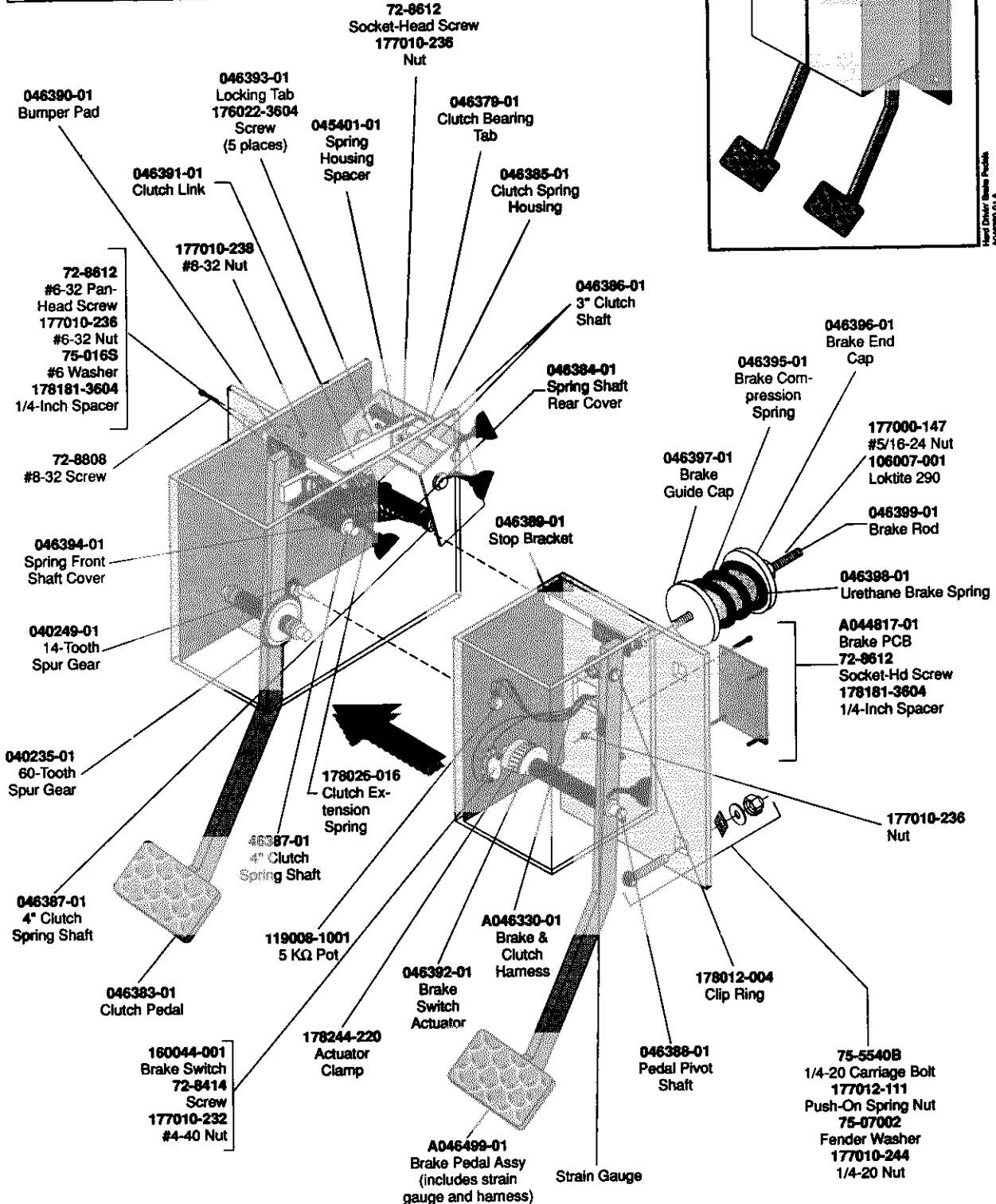
Part No.	Description	Part No.	Description
A046329-01	Harness Assembly	177000-132	#4 Hex Nut
046424-01	Reverse Position Latch	177000-136	#6-32 Hex Nut
046427-01	Knob	177000-138	#8-32 Hex Nut
046440-01	Reverse Position Latch Bearing	177010-238	#8-32 Polymer Locknut
046472-01	Magnet Insulator	177010-241	#10-32 Polymer Locknut
046474-01	Boot	177010-244	1/4-20 Polymer Locknut
046475-01	Boot Cover Plate	178006-004	Compression Spring
046476-01	Shifter Gate	178026-017	Reverse Position Latch Spring
046477-01	Pitch Bar	178026-019	Detent Lever Spring
046478-01	Pitch Link	178051-010	Wide Double-Sided Tape
046479-01	Shifter Housing	178192-6306	Spring Spacer
046480-01	Hinged Plate (assembled at factory with strain gauge)	72-1010F	#10-32 x 5/8-Inch Pan-Head Screw
046481-01	Roll Bar	72-1408S	#4-40 x 1/2-Inch Pan-Head Screw
046482-01	Roll Link	72-1608F	#6-32 x 1/2-Inch Pan-Head Screw
046483-01	Pivot Shaft	72-1818F	#8-32 x 1 1/8-Inch Pan-Head Screw
046484-01	Detent Plate	72-8806	#8-32 x 3/8-Inch Socket-Head Screw
046485-01	Magnet Bracket	72-8808	#8-32 x 1/2-Inch Socket-Head Screw
046489-01	Magnet	72-8810	#8-32 x 5/8-Inch Socket-Head Screw
046523-01	Detent Roller	72-8012	#10-32 x 3/4-Inch Socket-Head Screw
046524-01	Roller Bearing	72-E005	#10-32 x .312-Inch Shoulder Screw
046525-01	Detent Lever	72-E802	0.187-Inch O.D. Shoulder Screw
046560-01	Boot Cushion	73-00824	1/8-Inch Diameter x 1 1/2-Inch Cotter Pin
046906-01	Magnet Plate	75-020S	#10 Flat Washer
106007-001	Loktite 390	75-028S	#8 Flat Washer
119008-1001	5 K Ω Potentiometer	75-040S	#10 Lock Washer
171087-001	Strain Gauge (assembled at factory with hinged plate)	75-048S	#8 Lock Washer
175002-002	5/8-Inch Flat Washer	75-07007	1/4 Flat Washer
176024-4108	#10-32 x 1/2-Inch Self-Locking Socket-Head Screw	75-5512B	1/4-20 x 3/4-Inch Carriage Bolt
		75-5528B	1/4-20 x 1 3/4-Inch Carriage Bolt

Not Shown:
 178012-004
 Clip Ring on Clutch Shaft & Pedal
 176022-3604
 Set Screw on 60-Tooth Gear
 107013-001
 Light Oil

 **Lubricate on both ends of shafts.**



Hard Drivin' Brake Pedals
A046380-01 A



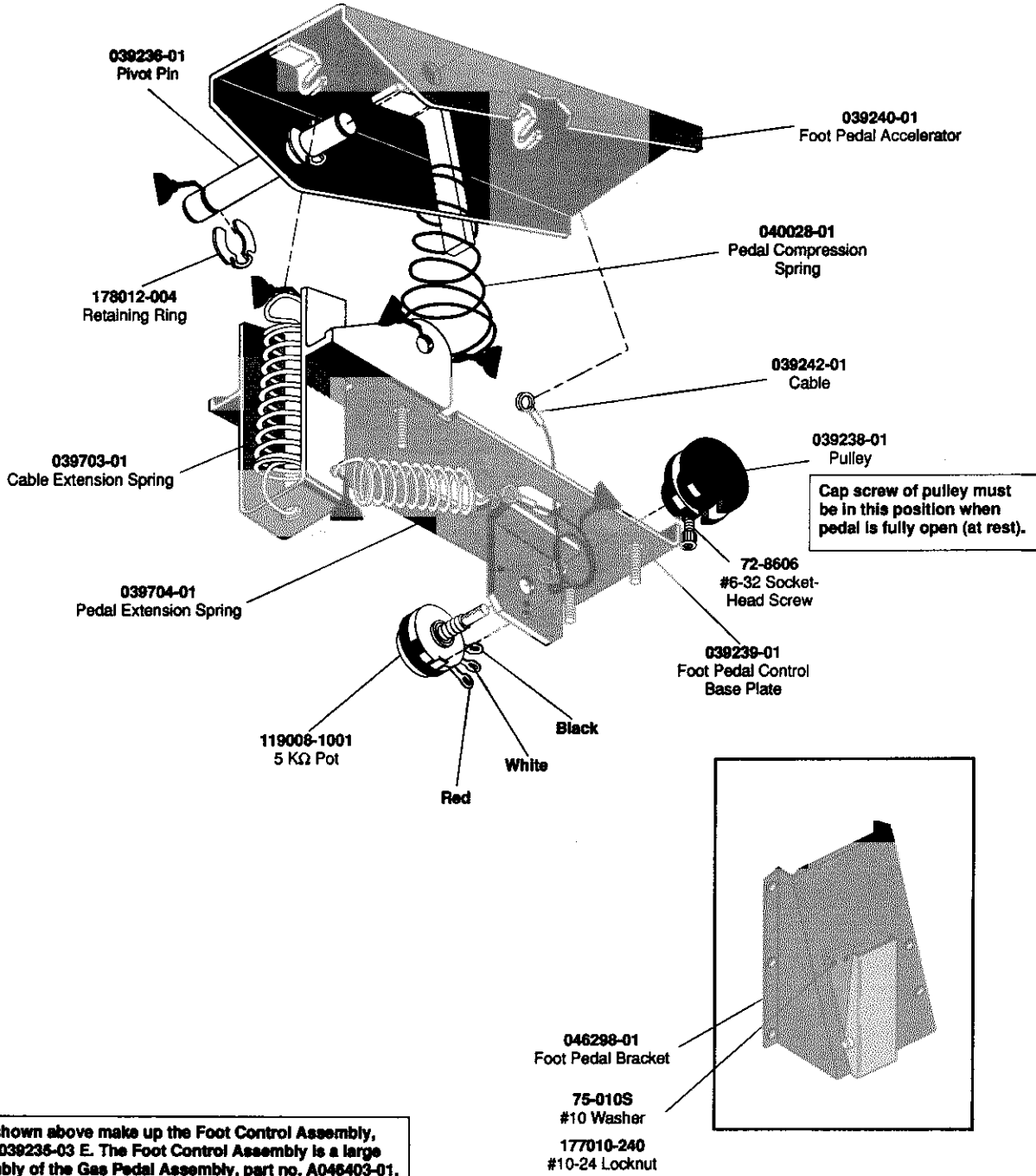
**Figure 4-7 Clutch And Brake Pedal Assembly
 A046380-01 D**

Clutch and Brake Pedal Assembly Parts List

Part No.	Description	Part No.	Description
A044817-01	Brake PCB Assembly	046399-01	Brake Rod
A046330-01	Brake/Clutch Harness Assembly	106007-001	Loktite 390
A046499-01	Brake Pedal Assembly (includes strain gauge and strain gauge harness)	107013-001	Light Oil
040249-01	14-Tooth Spur Gear with Hub (Acceptable substitute is part no. 046050-02 when used with part no. 72-8404, screw cap, and part no. 106007-001, adhesive.)	119008-1001	5 K Ω Clutch Potentiometer
045401-01	Spring Housing Spacer (Acceptable substitutes are part nos. 178266-6620, 178266-3620, 178266-7620, 178266-0620, 178266-2620.)	160044-001	Snap-Action Brake Switch
046379-01	Clutch Bearing Tab	171087-001	Strain Gauge (assembled at factory with brake pedal and shaft)
046383-01	Clutch Pedal	176022-3604	#6-32 x 1/4-Inch Socket-Head Screw
046384-01	Cover over Rear Spring Shaft	177000-147	#5/16-24 Nut
046385-01	Clutch Spring Housing	177010-232	#4-40 Nyloc Nut
046386-01	3-Inch Clutch Shaft	177010-236	#6-32 Nyloc Nut
046387-01	4-Inch Clutch Shaft	177010-238	#8-32 Nyloc Nut
046388-01	Pedal Pivot Shaft	177010-244	1/4-20 Nyloc Nut
046389-01	Stop Bracket	177012-111	Push-On Spring Nut
046390-01	Bumper Pad	178012-004	3/8-Inch Diameter Clip Ring
046391-01	Clutch Link	178026-016	Clutch Extension Spring
046392-01	Brake Switch Actuator	178120-606	PCB Standoff
046393-01	Locking Tab	178181-3604	1/4-Inch Spacer
046394-01	Cover over the Front Spring Shaft	178244-220	Actuator Clamp
046395-01	Brake Compression Spring	72-8412	#4-40 x 3/4-Inch Socket-Head Screw
046396-01	Brake End Cap	72-8612	#6-32 x 3/4-Inch Pan-Head Screw
046397-01	Brake Guide Cap	72-8808	#8-32 x 1/2-Inch Pan-Head Screw
046398-01	Urethane Brake Spring	75-015S	1/4 Flat Washer
		75-016S	#6 Flat Washer
		175-5520B	1/4-20 x 1 1/4-Inch Black Carriage Bolt
		75-5540B	1/4-20 x 2 1/2-Inch Carriage Bolt
		75-07002	Fender Washer

Not Shown:
A043947-01
Gas Pedal Harness Assy

 **107012-001**
Dry Teflon Spray Lubricant

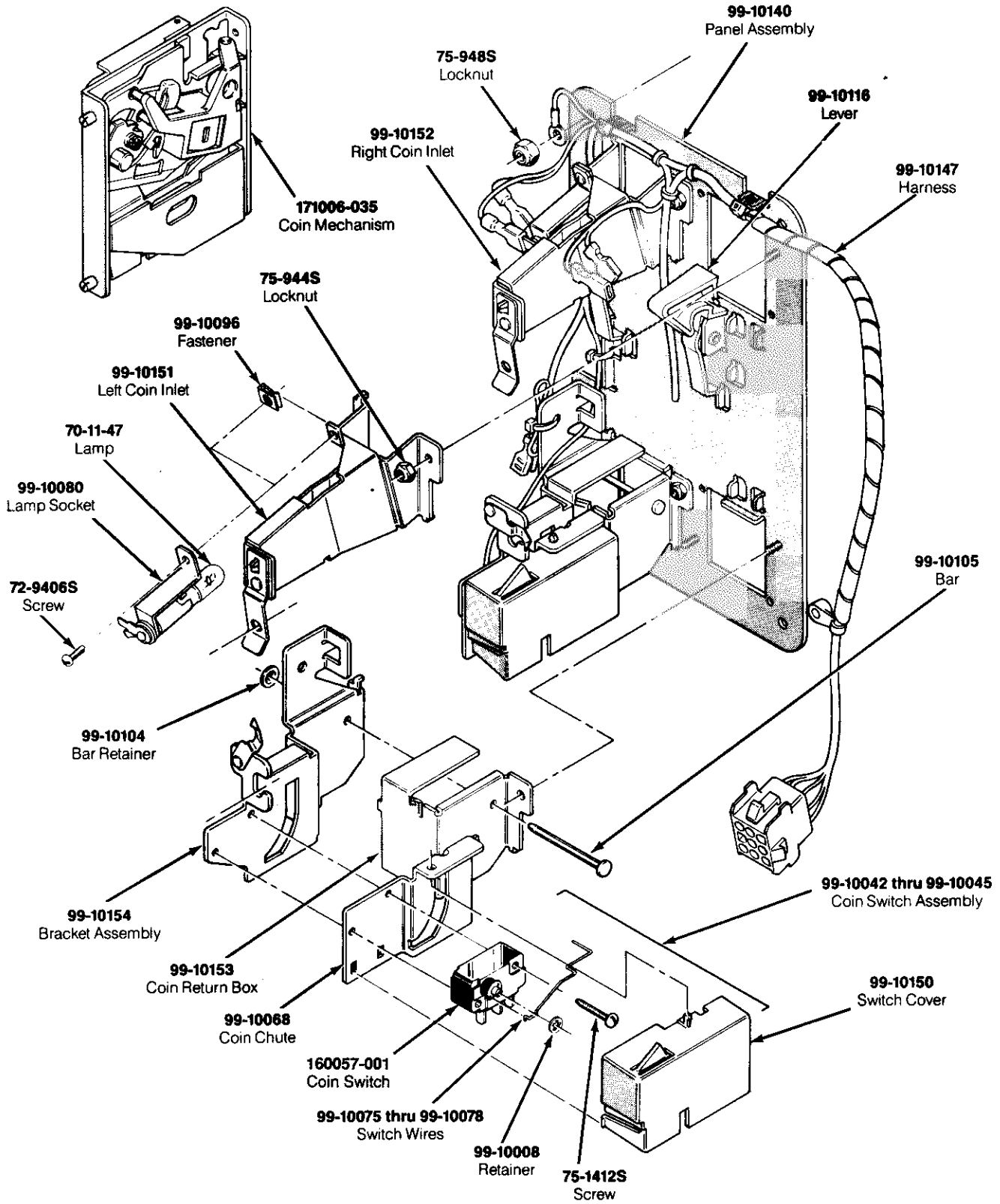


All parts shown above make up the Foot Control Assembly, part no. A039235-03 E. The Foot Control Assembly is a large subassembly of the Gas Pedal Assembly, part no. A046403-01.

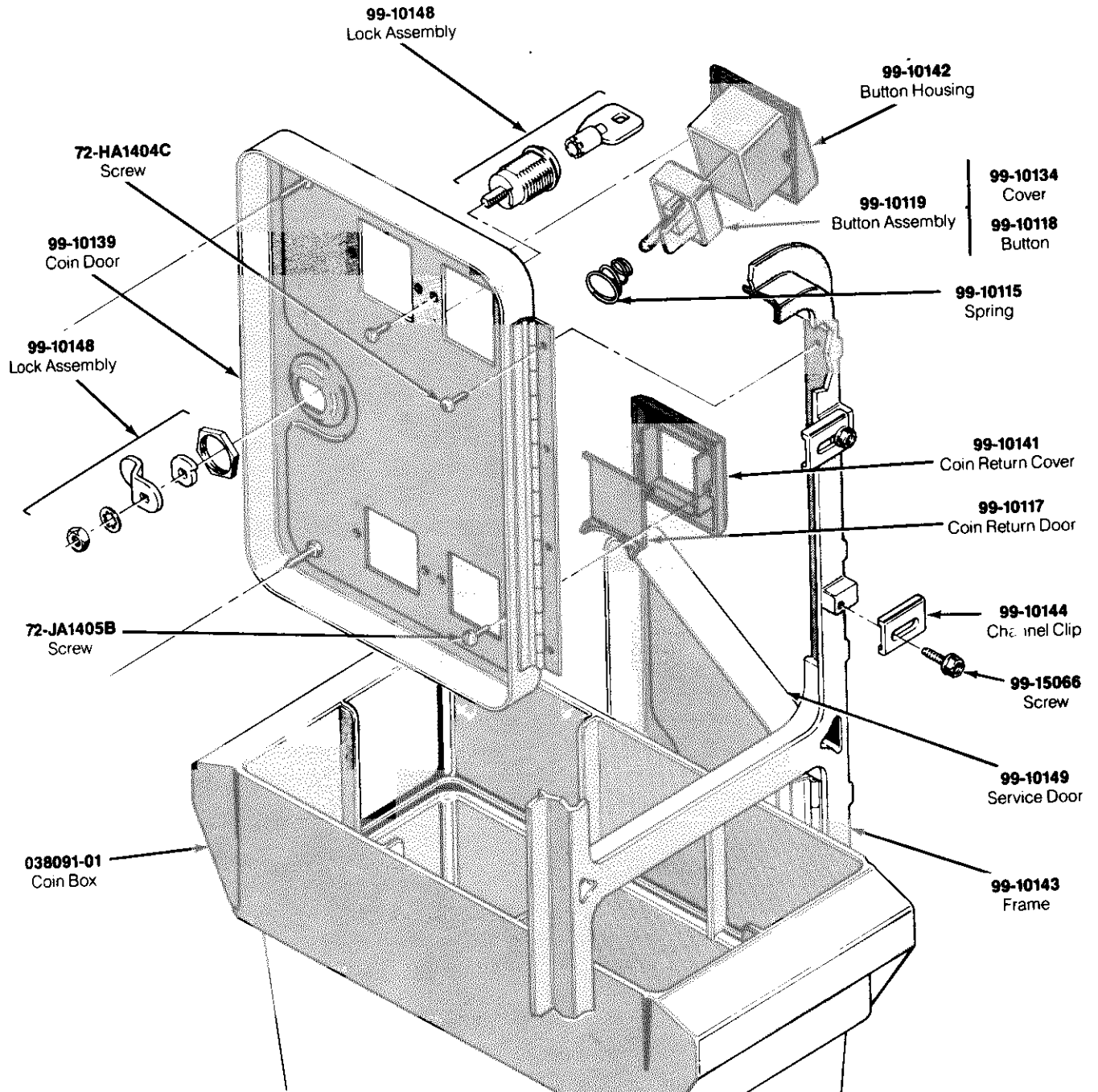
Figure 4-8 Gas Pedal Assembly
A046403-01 A

Gas Pedal Assembly Parts List

Part No.	Description	Part No.	Description
A039235-03	Foot Control Assembly. Replaceable Parts:	107012-001	Dry Teflon Spray Lubricant
039236-01	Pivot Pin	178012-004	Retaining Ring for 3/8-Inch-Diameter Shaft
039238-01	Pulley	119008-1001	5 K Ω Potentiometer
039239-01	Foot Pedal Control Base Plate	72-8606	#6-32 x .38-Inch Socket-Head Screw
039240-01	Foot Pedal Accelerator		
039242-01	Cable	A043947-01	Gas Pedal Harness Assembly
039703-01	Cable Extension Spring	046298-01	Foot Pedal Bracket
039704-01	Pedal Extension Spring	177010-240	#10-24 Polymer Locknut
040028-01	Pedal Compression Spring	75-010S	#10 Flat Washer



**Figure 4-9 Coin Acceptors, Inc. Coin Door Assembly
171027-001**



NOTE
The acceptable substitute for this door (and the one used in games manufactured in Ireland) is the Coin Controls, Inc. Coin Door Assembly, part number 171034-001.

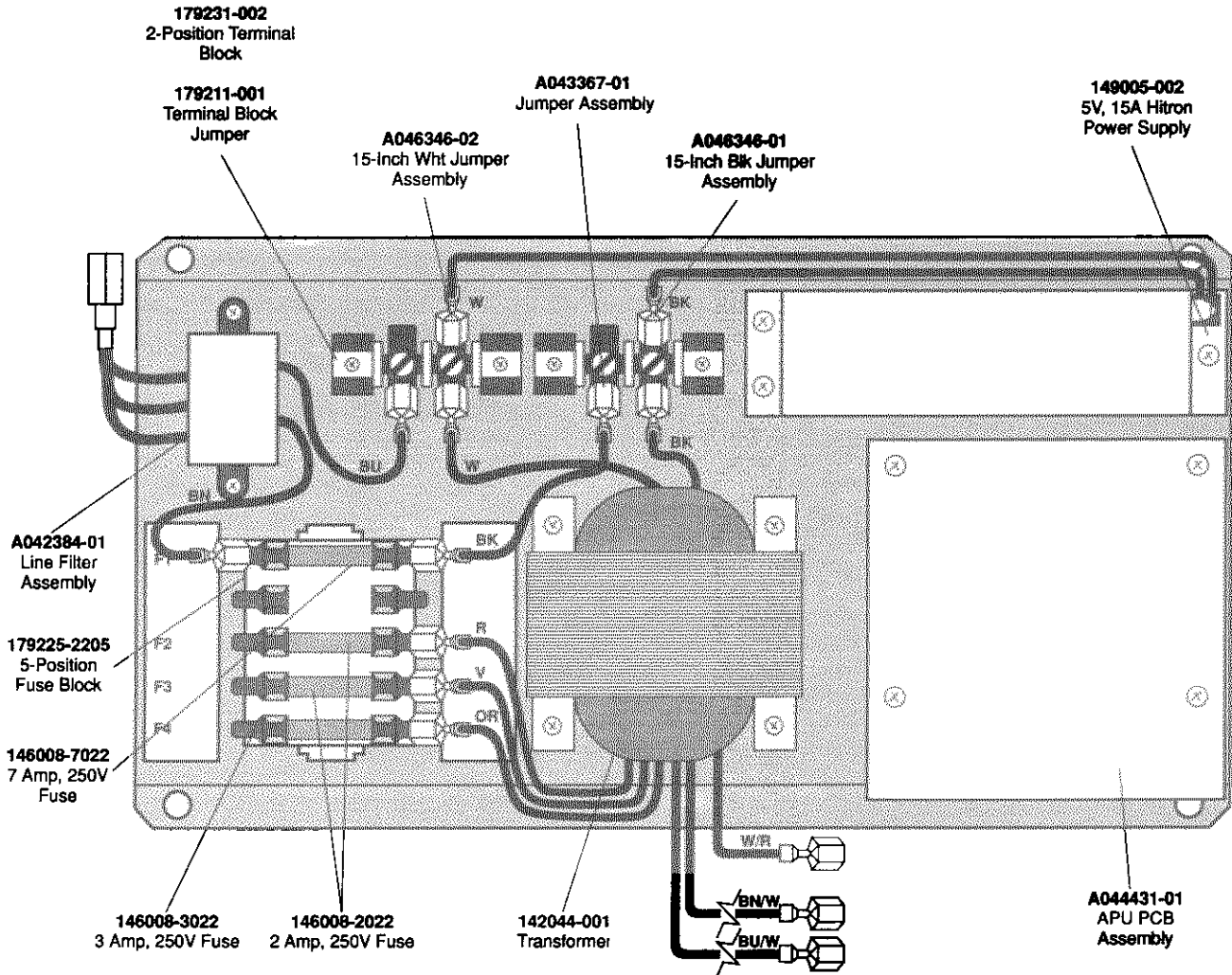
**Figure 4-9 Coin Acceptors, Inc. Coin Door Assembly, Continued
171027-001**

Coin Acceptors , Inc. Coin Door Assembly Parts List

Part No.	Description	Part No.	Description
160057-001	Coin Switch	99-10081	Key Holder
70-11-47	Miniature Bayonet Lamp	99-10096	Fastener
72-9406S	#4-40 x 3/8-Inch Truss-Head Screw	99-10104	Bar Retainer
72-HA1404C	#4-40 x 1/4-Inch Pan-Head Screw	99-10105	Bar
72-JA1405B	#4-40 x .31-Inch Pan-Head Screw	99-10115	Spring
75-1412S	#4-40 x 3/4-Inch Pan-Head Screw	99-10116	Plastic Coin Return Lever
75-994S	#4-40 Locknut	99-10117	Steel Coin Return Door
99-10008	Retainer	99-10139	Coin Door
99-10042	Coin Switch Assembly for Belgian 5 Fr and U.S. 25¢	99-10140	Coin Door Inner-Panel Assembly
99-10043	Coin Switch Assembly for German 1 DM, Japanese 100 Yen, Swiss 1 Fr	99-10141	Die-Cast Coin Return Cover
99-10044	Coin Switch Assembly for German 2 DM, Italian 100 L, U.S. \$1.00	99-10143	Coin Door Frame
99-10045	Coin Switch Assembly for Australian \$.20, German 5 DM, British 10 P	99-10144	Channel Clip
99-10068	Coin Return Chute	99-10147	Harness
99-10075	Switch Wire (included in coin switch assembly 99-10043)	99-10148	Lock Assembly
99-10076	Switch Wire (included in coin switch assembly 99-10042)	99-10149	Service Door
99-10077	Switch Wire (included in coin switch assembly 99-10044)	99-10150	Switch Cover
99-10078	Switch Wire (included in coin switch assembly 99-10045)	99-10151	Left Coin Inlet
99-10080	Lamp Socket	99-10152	Right Coin Inlet
		99-10153	Coin Return Box
		99-10154	Bracket Assembly
		99-10160	1-Inch Wide Die-Cast Coin Inlet Housing
		99-10161	25¢ Amber Side-Entry Coin Button Assembly
		99-15066	Screw for Clamp
		171006-035	Metal Coin Mechanism for U.S. 25¢

N O T E S

Not Shown
034544-01
Fuse Block Cover



**Figure 4-10 Power Supply Assembly
A046345-01 B**

Power Supply Assembly Parts List

Part No.	Description	Part No.	Description
A042384-01	Line Filter Assembly	146008-2022	2 Amp, 250V Slow Blow Fuse
A043367-01	Jumper Assembly	146008-3022	3 Amp, 250 V, Slow Blow Fuse
A044431-01	Hard Drivin' Audio Power Unit (APU) PCB Assembly	146008-7022	7 Amp, 250 V, Slow Blow Fuse
A046346-01	15-Inch Black Jumper Assembly	149005-002	5 V, 15 A Hitron Switching Power Supply (see below)
A046346-02	15-Inch White Jumper Assembly	179211-001	Terminal Block Jumper
034544-01	Fuse Block Cover	179225-2205	5-Position Fuse Block
142044-001	Transformer	179231-002	2-Position Terminal Block

Hitron 5V, 15 A Switching Power Supply Sub-Assembly Parts List

Part No.	Description	Part No.	Description
Transistors		99-211026	Resistor, Carbon Film, 330 Ohm, 5%, 1/4W
99-211002	Transistor, NPN, 2SC1413A	99-211027	Resistor, Carbon Film, 5.6 Ohm, 5%, 1/4W
99-211003	Transistor, NPN, PE8050B	99-211028	Resistor, Carbon Film, 8.2 Ohm, 5%, 1/4W
99-211004	Transistor, PNP, PE8550B	99-211029	Resistor, Carbon Film, 10 Ohm, 5%, 1/4W
99-211062	Transistor, 2SD725	99-211030	Resistor, Carbon Film, 39 Ohm, 5%, 1/4W
99-211063	Transistor, Pe8550B	99-211031	Resistor, Carbon Film, 56 Ohm, 5%, 1/4W
Diodes		99-211032	Resistor, Carbon Film, 1K Ohm, 5%, 1/4W
99-211005	Diode, Schottky, S10SC4M	99-211033	Resistor, Metal Film, 2K Ohm, 2%, 1/4W
99-211006	Diode, Fast Recovery, 30DF1	99-211034	Resistor, Carbon Film, 180K Ohm, 5%, 1W
99-211007	Diode, Zener, 1N752A	99-211035	Resistor, Carbon Film, 2K Ohm, 5%, 1/4W
99-211008	Diode, Rectifier, 1N4006	99-211065	Resistor, Wire Wound, 27 Ohm, 5%, 2W
99-211009	Diode, Fast Recovery, Rpg10B	99-211066	Resistor, Carbon Film, 6.8 Ohm, 5%, 1/2W
99-211010	Diode, Fast Recovery, Rpg10K	99-211067	Resistor, Carbon Film, 12 Ohm, 5%, 1/4W
99-211011	Diode, Fast Recovery, Rpg15B	99-211068	Resistor, Carbon Film, 2.4 Ohm, 5%, 1/2W
99-211012	Diode, Switching, 1N4148	99-211077	Resistor, 470 Ohm, 1/2W, 5%
99-211064	Diode, S15SC4M	99-211078	Resistor, 120K Ohm, 1W, 5%
99-211076	Diode, 31DQ04	Capacitors	
99-211013	Rectifier, Silicon Controlled, S2800	99-211036	Capacitor, Metal Film, 0.047UF, 250V
Resistors		99-211037	Capacitor, Metal Film, 0.22UF, 100V
99-211014	Potentiometer, Trimming, 3K Ohm	99-211038	Capacitor, Metal Film, 0.1UF, 400V
99-211015	Resistor, Wire Wound, 50 Ohm, 5%, 2W	99-211039	Capacitor, Metal Film, 0.022UF, 100V
99-211016	Resistor, Wire Wound, 150 Ohm, 5%, 2W	99-211040	Capacitor, Ceramic, 1800PF, 2KV, Z5V
99-211017	Resistor, Wire Wound, 33 Ohm, 5%, 2W	99-211041	Capacitor, Ceramic, 0.01UF, 1KV, Z5U
99-211018	Resistor, Wire Wound, 0.47 Ohm, 5%, 2W	99-211042	Capacitor, Ceramic, 0.001UF, 2KV
99-211019	Resistor, Wire Wound, 120 Ohm, 5%, 2W	99-211043	Capacitor, Ceramic, 470PF, 1KV, Z5P
99-211020	Thermistor, 0.5 Ohm, 5%, 5W	99-211044	Capacitor, Electrolytic, 470UF, 25V
99-211021	Resistor, 2.2K Ohm, 2%, 1/4W	99-211045	Capacitor, Electrolytic, 220UF, 25V
99-211022	Resistor, Carbon Film, 330 Ohm, 5%, 1/2W	99-211046	Capacitor, Electrolytic, 100UF, 200V
99-211023	Resistor, Carbon Film, 270 Ohm, 5%, 1/2W	99-211047	Capacitor, Electrolytic, 1000UF, 25V
99-211024	Resistor, Carbon Film, 470 Ohm, 5%, 1/4W	99-211048	Capacitor, Electrolytic, 2200UF, 16V
99-211025	Resistor, Carbon Film, 47 Ohm, 5%, 1/4W	99-211049	Capacitor, Ceramic, 4700UF, 400V

Hitron Power Supply Sub-Assembly, Continued
Parts List

Part No.	Description	Part No.	Description
99-211069	Capacitor, Electrolytic, 2200UF, 16V		
99-211070	Capacitor, Electrolytic, 220UF, 25V		
99-211079	Capacitor, De7100F22M		
99-211080	Capacitor, 1000UF, 35V		
99-211081	Capacitor, 470UF, 25V		
99-211082	Capacitor, 220UF, 16V		
99-211090	Capacitor, Ceramic, 1000PF, 2KV		
99-211091	Capacitor, Electrolytic, 2200UF, 10V		
	Inductors		
99-211050	Inductor, 7UH		
99-211051	Inductor, 7UH, 35MM		
99-211052	Inductor, 15MH		
99-211053	Inductor, 1.5MH		
99-211054	Inductor, 2.2UH		
99-211071	Inductor, 9.8UH		
99-211084	Inductor, 8UH		
99-211085	Inductor, 9.8UH		
99-211086	Inductor, 0.75MH		
99-211087	Inductor, 2.2UH		
99-211088	Inductor, 60MH		
			Transformers
		99-211075	Transformer, Power
		99-211083	Transformer, Power
		99-211089	Transformer, 4.75MH
		99-211092	Transformer
		99-211055	Transformer
			Miscellaneous
		99-211001	Regulator, UA431AWC
		99-211056	Fuse, 2A, 250V
		99-211057	Terminal Block, 8CKT
		99-211058	Fuse, 2A, 250V, Semko
		99-211059	Heatsink
		99-211060	Fuse Holder, 6.35MM
		99-211061	Heatsink, 1.5MM
		99-211072	Fuse Holder, 5.2X20
		99-211073	Fuse, 2A, 125V
		99-211074	Terminal Block, 9CKT

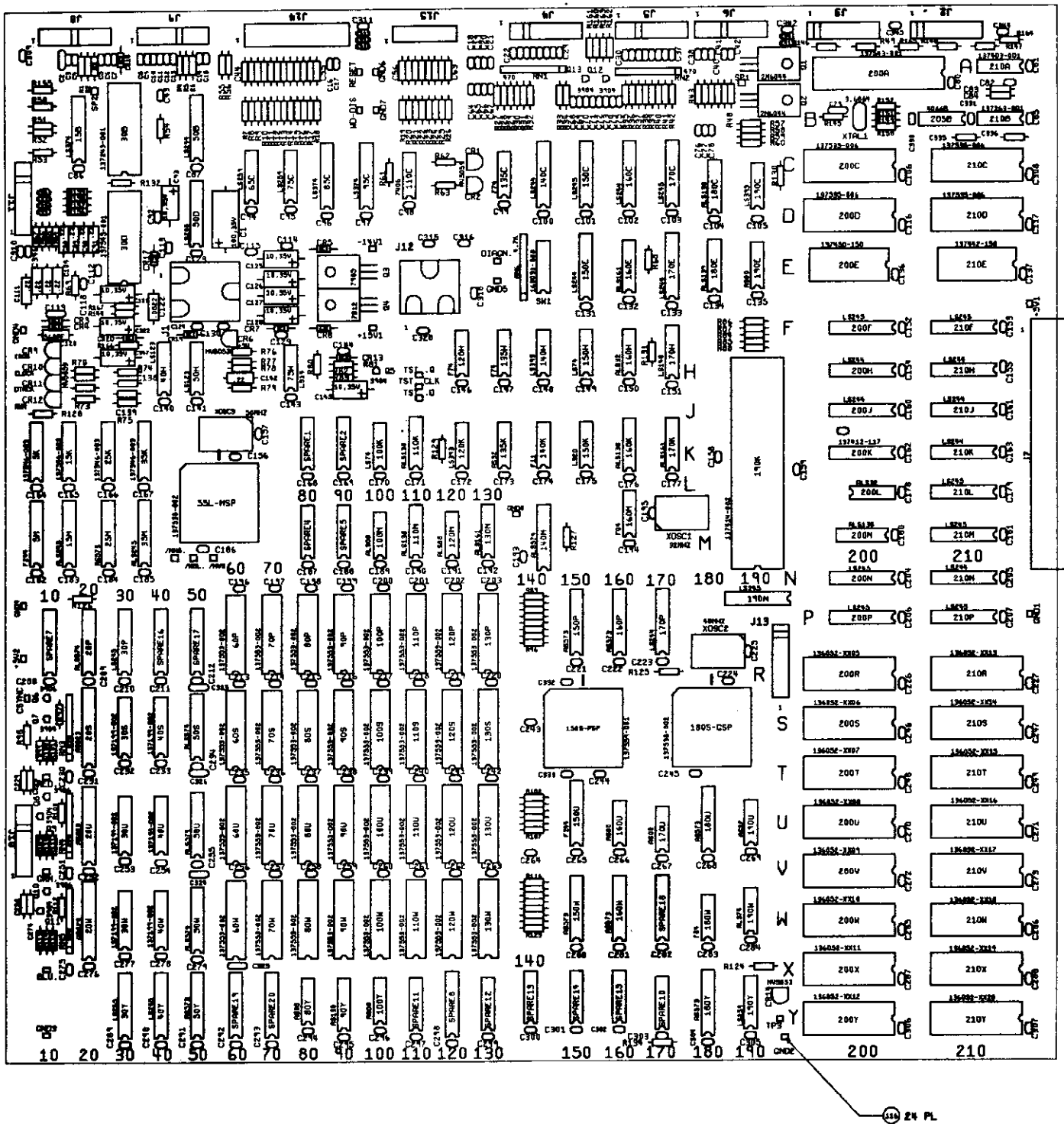


Figure 4-11 Hard Drivin' Main PCB Assembly
A044425-01 G

Hard Drivin' Main PCB Assembly Parts List

Designator	Description	Part No.	Designator	Description	Part No.
Integrated Circuits					
5K	Integrated Circuit, 4464, 64K X 4, DRAM	137546-003	80P, 80S	Integrated Circuit, VRAM, 64KX4, 150 nsec (Acceptable substitute is part no. 137553-001, Integrated Circuit, 64X4, VRAM, 120 nsec.)	137553-002
5M	Integrated Circuit, 74F244	137502-001	80U, 80W	Integrated Circuit, VRAM, 64KX4, 150 nsec (Acceptable substitute is part no. 137553-001, Integrated Circuit, 64X4, VRAM, 120 nsec.)	137553-002
15B	Integrated Circuit, 74LS374	137144-001	80Y	Integrated Circuit, 74AS08	137484-001
15K	Integrated Circuit, 4464, 64K X 4, DRAM	137546-003	85C	Integrated Circuit, 74LS374	137144-001
15M	Integrated Circuit, 74ALS245	137440-001	90P, 90S	Integrated Circuit, VRAM, 64KX4, 150 nsec (Acceptable substitute is part no. 137553-001, Integrated Circuit, 64X4, VRAM, 120 nsec.)	137553-002
20P	Integrated Circuit, 74ALS574	137548-001	90U, 90W	Integrated Circuit, VRAM, 64KX4, 150 nsec (Acceptable substitute is part no. 137553-001, Integrated Circuit, 64X4, VRAM, 120 nsec.)	137553-002
20S, 20U	Integrated Circuit, 74AS823	137513-001	95C	Integrated Circuit, 74LS374	137144-001
20W	Integrated Circuit, 74AS823	137513-001	100K	Integrated Circuit, 74LS74	137023-001
25K	Integrated Circuit, 4464, 64K X 4, DRAM	137546-003	100M	Integrated Circuit, 74ALS08	137460-001
25M	Integrated Circuit, 74AS573	137547-001	100P, 100S	Integrated Circuit, VRAM, 64KX4, 150 nsec (Acceptable substitute is part no. 137553-001, Integrated Circuit, 64X4, VRAM, 120 nsec.)	137553-002
30B	Integrated Circuit, ADC0809	137243-001	100U, 100W	Integrated Circuit, VRAM, 64KX4, 150 nsec (Acceptable substitute is part no. 137553-001, Integrated Circuit, 64X4, VRAM, 120 nsec.)	137553-002
30D	Integrated Circuit, AD7582	137545-001	100Y	Integrated Circuit, 74AS08	137484-001
30P	Integrated Circuit, 74LS245	137134-001	110C	Integrated Circuit, 7406	137052-001
30S, 30U	Integrated Circuit, 2149, 45 nsec	137199-002	110K	Integrated Circuit, 74ALS138	137517-001
30W	Integrated Circuit, 2149, 45 nsec	137199-002	110M	Integrated Circuit, 74ALS138	137517-001
30Y	Integrated Circuit, 74LS245	137134-001	110P, 110S	Integrated Circuit, VRAM, 64KX4, 150 nsec (Acceptable substitute is part no. 137553-001, Integrated Circuit, 64X4, VRAM, 120 nsec.)	137553-002
35K	Integrated Circuit, 4464, 64K X 4, DRAM	137546-003	110U, 110W	Integrated Circuit, VRAM, 64KX4, 150 nsec (Acceptable substitute is part no. 137553-001, Integrated Circuit, 64X4, VRAM, 120 nsec.)	137553-002
35M	Integrated Circuit, 74ALS245	137440-001	120H	Integrated Circuit, 74F74	137436-001
40H	Integrated Circuit, 74LS123	137268-001	120K	Integrated Circuit, 74LS393	137146-001
40S, 40U	Integrated Circuit, 2149, 45 nsec	137199-002	120M	Integrated Circuit, 74ALS08	137460-001
40Y	Integrated Circuit, 74LS245	137134-001	120P, 120S	Integrated Circuit, VRAM, 64KX4, 150 nsec (Acceptable substitute is part no. 137553-001, Integrated Circuit, 64X4, VRAM, 120 nsec.)	137553-002
50B, 50D	Integrated Circuit, 74LS244	137038-001	120U, 120W	Integrated Circuit, VRAM, 64KX4, 150 nsec (Acceptable substitute is part no. 137553-001, Integrated Circuit, 64X4, VRAM, 120 nsec.)	137553-002
50H	Integrated Circuit, 74LS123	137268-001			
50S, 50U	Integrated Circuit, 74ALS574	137548-001			
50W	Integrated Circuit, 74ALS574	137548-001			
50Y	Integrated Circuit, 74AS573	137547-001			
55L-MSP	Integrated Circuit, 34010-50	137538-002			
60P, 60S	Integrated Circuit, VRAM, 64KX4, 150 nsec (Acceptable substitute is part no. 137553-001, Integrated Circuit, 64X4, VRAM, 120 nsec.)	137553-002			
60U, 60W	Integrated Circuit, VRAM, 64KX4, 150 nsec (Acceptable substitute is part no. 137553-001, Integrated Circuit, 64X4, VRAM, 120 nsec.)	137553-002			
65C	Integrated Circuit, 74LS259	137137-001			
70P, 70S	Integrated Circuit, VRAM, 64KX4, 150 nsec (Acceptable substitute is part no. 137553-001, Integrated Circuit, 64X4, VRAM, 120 nsec.)	137553-002			
70U, 70W	Integrated Circuit, VRAM, 64KX4, 150 nsec (Acceptable substitute is part no. 137553-001, Integrated Circuit, 64X4, VRAM, 120 nsec.)	137553-002			
75C	Integrated Circuit, 74LS259	137137-001			
75H	Integrated Circuit, 74LS14	137056-001			

Hard Drivin' Main PCB Assembly Parts List

Designator	Description	Part No.	Designator	Description	Part No.
130M	Integrated Circuit, 74ALS161	137470-001	190N	Integrated Circuit, 74LS245	137134-001
130P, 130S	Integrated Circuit, VRAM, 64KX4, 150 nsec (Acceptable substitute is part no. 137553-001, Integrated Circuit, 64X4, VRAM, 120 nsec.)	137553-002	190U	Integrated Circuit, 74AS32	137487-001
130U, 150W	Integrated Circuit, VRAM, 64KX4, 150 nsec (Acceptable substitute is part no. 137553-001, Integrated Circuit, 64X4, VRAM, 120 nsec.)	137553-002	190W	Integrated Circuit, 74ALS74	137156-001
135C	Integrated Circuit, 74F74	137436-001	190Y	Integrated Circuit, 74LS259	137137-001
135H	Integrated Circuit, 74F74	137436-001	200A	Integrated Circuit, 68681	137543-001
135K	Integrated Circuit, 74AS32	137487-001	200C, 200D	Integrated Circuit, RAM, 8KX8, 150 nsec	137535-006
140C	Integrated Circuit, 74LS244	137038-001	200E	Integrated Circuit, 48T02-15, RAM	137540-150
140H	Integrated Circuit, 74LS393	137146-001	200F	Integrated Circuit, 74LS245	137134-001
140K	Integrated Circuit, 74F11	137583-001	200H, 200J	Integrated Circuit, 74LS244	137038-001
140M	Integrated Circuit, 74ALS574	137548-001	200K	Integrated Circuit, Slapstic 17	137412-117
150C	Integrated Circuit, 74LS245	137134-001	200L	Integrated Circuit, 74ALS32	137464-001
150E	Integrated Circuit, 74LS244	137038-001	200M	Integrated Circuit, 74ALS138	137517-001
150H	Integrated Circuit, 74LS74	137023-001	200N, 200P	Integrated Circuit, 74LS245	137134-001
150K	Integrated Circuit, 74LS20	137060-001	200R	Integrated Circuit, PR EPROM, 421, 137444-200	136052-7105
150P	Integrated Circuit, 74AS573	137547-001	200S	Integrated Circuit, PR EPROM, 137444-200	136052-2106
150S-PSP	Integrated Circuit, 34012-50	137559-001	200T	Integrated Circuit, PR EPROM, 137444-200	136052-1107
150U	Integrated Circuit, 74F244	137502-001	200U	Integrated Circuit, PR EPROM, 137444-200	136052-1108
150W	Integrated Circuit, 74AS573	137547-001	200V	Integrated Circuit, PR EPROM, 137444-200	136052-1109
160C	Integrated Circuit, 74LS244	137038-001	200W	Integrated Circuit, PR EPROM, 137444-200	136052-1110
160E	Integrated Circuit, 74ALS161	137470-001	200X	Integrated Circuit, PR EPROM, 137444-200	136052-1111
160H	Integrated Circuit, 74ALS32	137464-001	200Y	Integrated Circuit, PR EPROM, 137444-200	136052-1112
160K	Integrated Circuit, 74ALS138	137517-001	205B	Integrated Circuit, 4066B	137580-001
160M	Integrated Circuit, 74F04	137437-001	210A	Integrated Circuit, MC1488	137403-001
160P	Integrated Circuit, 74AS573	137547-001	210B	Integrated Circuit, MC1489AL	137263-001
160U	Integrated Circuit, 74AS00	137480-001	210C	Integrated Circuit, RAM, 8KX8, 150 nsec	137535-006
160W	Integrated Circuit, 74AS573	137547-001	210D	Integrated Circuit, RAM, 8KX8, 150 nsec	137535-006
170C	Integrated Circuit, 74LS245	137134-001	210E	Integrated Circuit, 48Z02-15, RAM	137442-150
170E	Integrated Circuit, 74LS244	137038-001	210F	Integrated Circuit, 74LS245	137134-001
170H	Integrated Circuit, 74LS148	137417-001	210H	Integrated Circuit, 74LS244	137038-001
170K	Integrated Circuit, 74ALS161	137470-001	210J	Integrated Circuit, 74LS244	137038-001
170P	Integrated Circuit, 74LS244	137038-001	210K	Integrated Circuit, 74LS244	137038-001
170U	Integrated Circuit, 74AS08	137484-001	210L	Integrated Circuit, 74LS245	137134-001
180C	Integrated Circuit, 74ALS138	137517-001	210M	Integrated Circuit, 74LS245	137134-001
180E	Integrated Circuit, 74ALS139	137467-001	210N	Integrated Circuit, 74LS244	137038-001
180S-GSP	Integrated Circuit, 34010-50	137538-002	210P	Integrated Circuit, 74LS245	137134-001
180U	Integrated Circuit, 74AS573	137547-001	210R	Integrated Circuit, PR EPROM, 137444-200	136052-7113
180W	Integrated Circuit, 74F04	137437-001			
180Y	Integrated Circuit, 74AS573	137547-001			
190C	Integrated Circuit, 74LS393	137146-001			
190E	Integrated Circuit, 74AS00	137480-001			
190K	Integrated Circuit, 68010	137414-002			

Hard Drivin' Main PCB Assembly Parts List, Continued

Designator	Description	Part No.	Designator	Description	Part No.
210S	Integrated Circuit, PR EPROM, 137444-200	136052-2114	C230-C249	Capacitor, .1 μ F, 50 V, Ceramic	122002-104
210T	Integrated Circuit, PR EPROM, 137444-200	136052-1115	C250	Capacitor, 47 pF, 100 V, Ceramic	122016-470
210U	Integrated Circuit, PR EPROM, 137444-200	136052-1116	C251-C273	Capacitor, .1 μ F, 50 V, Ceramic	122002-104
210V	Integrated Circuit, PR EPROM, 137444-200	136052-1117	C274	Capacitor, 47 pF, 100 V, Ceramic	122016-470
210W	Integrated Circuit, PR EPROM, 137444-200	136052-1118	C275-C320	Capacitor, .1 μ F, 50 V, Ceramic	122002-104
210X	Integrated Circuit, PR EPROM, 137444-200	136052-1119	C322	Capacitor, 10 μ F, 35 V, Electrolytic	124000-106
210Y	Integrated Circuit, PR EPROM, 137444-200	136052-1120	C323-C326	Capacitor, 10 pF, 100 V, Ceramic	122016-100
			C330-C333	Capacitor, .1 μ F, 50 V, Ceramic	122002-104
			C335	Capacitor, 100 pF, 100 V, Ceramic	122016-101
			C336	Capacitor, 100 pF, 100 V, Ceramic	122016-101
			C337-C342	Capacitor, .1 μ F, 50 V, Ceramic	122002-104
			C344-C346	Capacitor, .1 μ F, 50 V, Ceramic	122002-104
			C347	Capacitor, 10 μ F, 35 V, Electrolytic	124000-106
Capacitors			Diodes		
C1	Capacitor, 100 μ F, 35 V, Electrolytic	124000-107	CR1, CR2	Diode, MV5053, Light Emitting	131027-002
C2	Capacitor, .01 μ F, 50 V, Ceramic	122002-103	CR3, CR4	Diode, 1N914	131052-001
C3-C43	Capacitor, .1 μ F, 50 V, Ceramic	122002-104	CR5	Diode, 1N4002	131048-002
C44-C63	Capacitor, .001 μ F, 50 V, \pm 10%	122015-102	CR6	Diode, MV5053, Light Emitting	131027-002
C64-C78	Capacitor, .1 μ F, 50 V, Ceramic	122002-104	CR7, CR8	Diode, 1N4002	131048-002
C79	Capacitor, 10 pF, 100 V, Ceramic	122016-100	CR9-CR12	Diode, MV5053, Light Emitting	131027-002
C80-C82	Capacitor, .1 μ F, 50 V, Ceramic	122002-104	CR13	Diode, 1N4002	131048-002
C83, C84	Capacitor, 100 pF, 100 V, Ceramic	122016-101	CR14	Diode, MV5053, Light Emitting	131027-002
C85-C87	Capacitor, .1 μ F, 50 V, Ceramic	122002-104	CR17	Diode, 1N4733 A, 5.1 V, Zener	131009-206
C88-C91	Capacitor, .22 μ F, 50 V, Ceramic	122015-224	CR18, CR19	Diode, 1N4002	131048-002
C92	Capacitor, .1 μ F, 50 V, Ceramic	122002-104	CR20	Diode, 1N4742 A, 12 V, Zener	131009-215
C93	Capacitor, 10 μ F, 35 V, Electrolytic	124000-106			
C94-C106	Capacitor, .1 μ F, 50 V, Ceramic	122002-104	Transistors		
C108-C111	Capacitor, .22 μ F, 50 V, Ceramic	122015-224	Q1, Q2	Transistor, 2N6044	133042-001
C112-C118	Capacitor, .1 μ F, 50 V, Ceramic	122002-104	Q3	Integrated Circuit, 7905	137581-001
C119	Capacitor, 3900 pF, 50 V, Ceramic	122020-392	Q4	Integrated Circuit, 7812	137597-001
C120	Capacitor, 560 pF, 50 V, Ceramic	122020-561	Q5	Transistor, 2N3904	133041-001
C121	Capacitor, 10 μ F, 35 V, Electrolytic	124000-106	Q6	Transistor, 2N3906	133040-001
C122	Capacitor, .0022 μ F, 100 V, Plastic	121022-222	Q7	Transistor, 2N3904	133041-001
C123	Capacitor, .1 μ F, 50 V, Ceramic	122002-104	Q8	Transistor, 2N3906	133040-001
C124	Capacitor, .1 μ F, 50 V, Ceramic	122002-104	Q9	Transistor, 2N3904	133041-001
C125-C128	Capacitor, 10 μ F, 35 V, Electrolytic	124000-106	Q10	Transistor, 2N3906	133040-001
C129-C137	Capacitor, .1 μ F, 50 V, Ceramic	122002-104	Q11-Q13	Transistor, 2N3904	133041-001
C138	Capacitor, 1000 pF, 100 V, Ceramic	122016-102	Resistors		
C139	Capacitor, 1000 pF, 100 V, Ceramic	122016-102	R1-R26	Resistor, 100 Ω , \pm 5%, 1/4 W	110000-101
C140	Capacitor, .1 μ F, 50 V, Ceramic	122002-104	R27-R45	Resistor, 1 K Ω , \pm 5%, 1/4 W	110000-102
C141	Capacitor, .1 μ F, 50 V, Ceramic	122002-104	R46-R48	Resistor, 470 Ω , \pm 5%, 1/4 W	110000-471
C142	Capacitor, .22 μ F, 50 V, Ceramic	122015-224	R49-R54	Resistor, 4.7 K Ω , \pm 5%, 1/4 W	110000-472
C143	Capacitor, .1 μ F, 50 V, Ceramic	122002-104	R55, R56	Resistor, 100, \pm 5%, 1/4 W	110000-101
C144	Capacitor, .1 μ F, 50 V, Ceramic	122002-104	R57, R58	Resistor, 1 K Ω , \pm 5%, 1/4 W	110000-102
C145	Capacitor, 10 μ F, 35 V, Electrolytic	124000-106	R61	Resistor, 4.7 K Ω , \pm 5%, 1/4 W	110000-472
C146-C227	Capacitor, .1 μ F, 50 V, Ceramic	122002-104	R62, R63	Resistor, 220 Ω , \pm 5%, 1/4 W	110000-221
C228	Capacitor, .001 μ F, 50 V, \pm 10%	122015-102	R64-R67	Resistor, 5.6 K Ω , \pm 5%, 1/4 W	110000-562
C229	Capacitor, 47 pF, 100 V, Ceramic	122016-470			

Hard Drivin' Main PCB Assembly Parts List, Continued

Designator	Description	Part No.	Designator	Description	Part No.
R68	Resistor, 1 K Ω , $\pm 5\%$, 1/4 W	110000-102	R164, R165	Resistor, 10 Ω , $\pm 5\%$, 1/4 W	110000-100
R69	Resistor, Metal Film, 56 K Ω , $\pm 1\%$ 1/4 W	110011-5602	R166	Resistor, 68 Ω , $\pm 5\%$, 1/4 W	110000-680
R70-R73	Resistor, 220 Ω , $\pm 5\%$, 1/4 W	110000-221	R167	Resistor, 91 Ω , $\pm 5\%$, 1/4 W	110000-910
R74, R75	Resistor, 10 K Ω , $\pm 5\%$, 1/4 W	110000-103	RN1, RN2	Resistor Network, 470X9, $\pm 5\%$, 1/8 W, SIP(10PIN)	118010-471
R76	Resistor, 220 Ω , $\pm 5\%$, 1/4 W	110000-221	RN3-RN5	Resistor Network, R2R Ladder	118015-001
R77, R78	Resistor, 4.7 K Ω , $\pm 5\%$, 1/4 W	110000-472	RN6	Resistor Network, 4.7KX9, $\pm 5\%$, 1/8 W, SIP(10PIN)	118010-472
R79	Resistor, 47 K Ω , $\pm 5\%$, 1/4 W	110000-473		Crystals	
R80, R81	Resistor, 1 K Ω , $\pm 5\%$, 1/4 W	110000-102	XOSC1	Osc, 32MHZ	144008-002
R82, R83	Resistor, 470 Ω , $\pm 5\%$, 1/4 W	110000-471	XOSC2	Crystal, 48 Mhz, Oscillator Module	144008-003
R84-R88	Resistor, 10 K Ω , $\pm 5\%$, 1/4 W	110000-103	XOSC3	Crystal, 50 Mhz, Oscillator Module	144008-005
R89-R96	Resistor, 33 Ω , $\pm 5\%$, 1/4 W	110000-330	XTAL1	Crystal, 3.6864, Standup	144000-011
R98-R101	Resistor, 100 Ω , $\pm 5\%$, 1/4 W	110000-101		Miscellaneous	
R102-R107	Resistor, 33 Ω , $\pm 5\%$, 1/4 W	110000-330		Socket, 28 Pin, .600"	179257-028
R109-R111	Resistor, 100 Ω , $\pm 5\%$, 1/4 W	110000-101		Socket, 68 Pin	179237-068
R113-R115	Resistor, 100 Ω , $\pm 5\%$, 1/4 W	110000-101		Socket, 64 Pin, .900"	179256-064
				Socket, 40 Pin, .600"	179257-040
R116-R123	Resistor, 33 Ω , $\pm 5\%$, 1/4 W	110000-330		Socket, 20 Pin	179259-020
R124	Resistor, 220 Ω , $\pm 5\%$, 1/4 W	110000-221		Socket, 24 Pin, .600"	179257-024
R125-R131	Resistor, 1 K Ω , $\pm 5\%$, 1/4 W	110000-102		Test Point	179051-001
R132	Resistor, 4.7 K Ω , $\pm 5\%$, 1/4 W	110000-472	J1	Connector, 12 Circuit, Header .250 Ctr	179069-012
R134	Resistor, 1 K Ω , $\pm 5\%$, 1/4 W	110000-102	J2-J6	Connector, 11 Circuit, Header, .100 Ctr	179118-011
R144	Resistor, 620 Ω , $\pm 5\%$, 1/4 W	110000-621	J7	Connector, 60 Circuit, Header, .100 Ctr	179021-060
R145, R146	Resistor, 10 K Ω , $\pm 5\%$, 1/4 W	110000-103	J8-J11	Connector, 11 Circuit, Header, .100 Ctr	179118-011
R147, R148	Resistor, 100 K Ω , $\pm 5\%$, 1/4 W	110000-104	J12	Connector, 9 Circuit, Header, .250 Ctr	179069-009
R149, R150	Resistor, 10 K Ω , $\pm 5\%$, 1/4 W	110000-103	J14	Connector, 26 Circuit, Header, .1 X . 1 Dual	179261-026
R151, R152	Resistor, 220 Ω , $\pm 5\%$, 1/4 W	110000-221	J15	Connector, 16 Circuit, Header, .1 X . 1 Dual	179261-016
R155	Resistor, 0 Ω , $\pm 5\%$, 1/4 W	110005-001	SW1	Switch, 8 Pos DIP	160031-008
R156-R159	Resistor, 5.6 K Ω , $\pm 5\%$, 1/4 W	110000-562			
R160, R161	Resistor, 10 K Ω , $\pm 5\%$, 1/4 W	110000-103			
R162, R163	Resistor, 150 Ω , $\pm 5\%$, 1/4 W	110000-151			

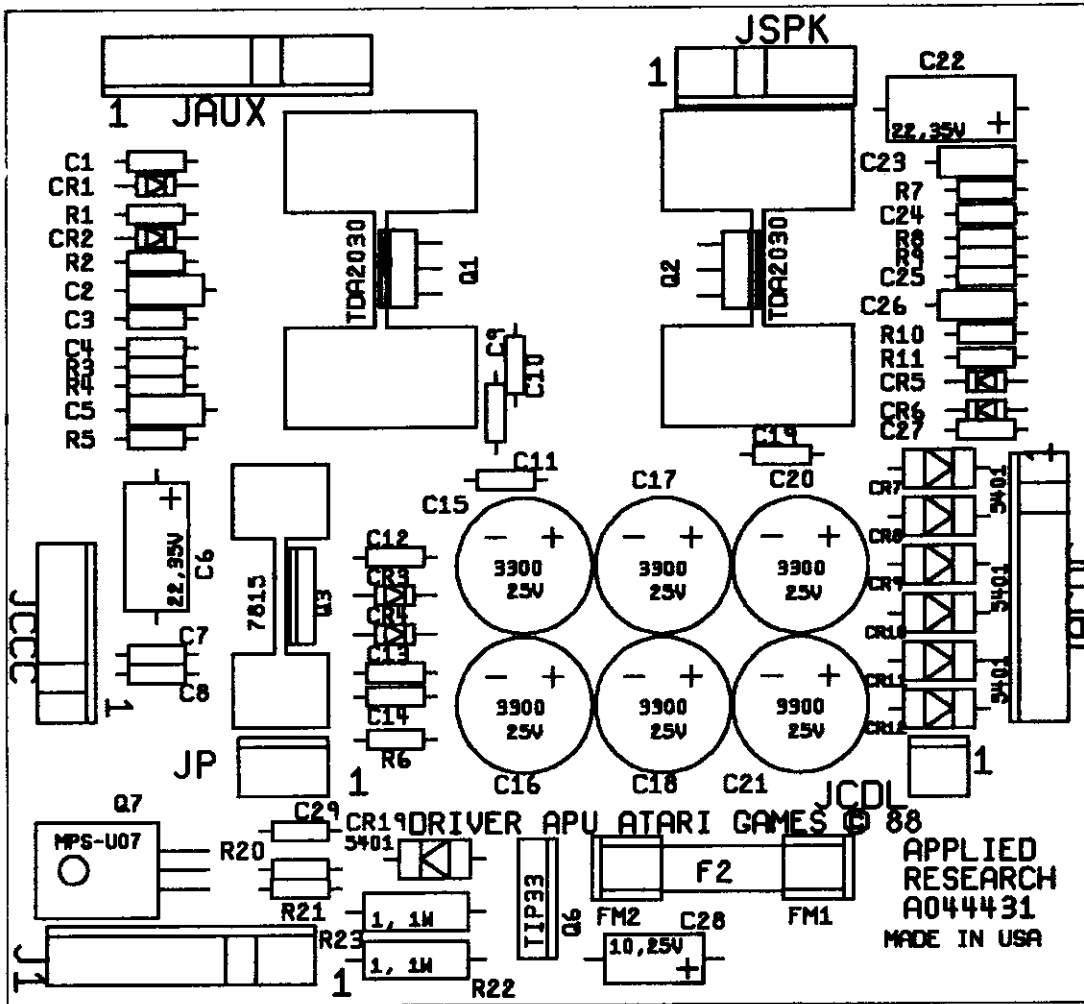


Figure 4-12 APU PCB Assembly
A044431-01 D

APU PCB Assembly Parts List

Designator	Description	Part No.	Designator	Description	Part No.
Capacitors			Transistors		
C1	Capacitor, .1 μ F, 50 V, Ceramic	122002-104	Q1, Q2	Integrated Circuit, TDA2030	137301-001
C2	Capacitor, .22 μ F, 50 V, Ceramic	122015-224	Q3	Integrated Circuit, 7815, Standup	137598-001
C3	Capacitor, .1 μ F, 50 V, Ceramic	122002-104	Q6	Transistor, TIP33, 40 V, 80 W	133044-001
C4	Capacitor, .001 μ F, 50 V, Ceramic	122002-102	Q7	Transistor, Mps-U07, 100 V, 2 A	133003-001
C5	Capacitor, .22 μ F, 50 V, Ceramic	122015-224	Resistor		
C6	Capacitor, 22 μ F, 35 V, Electrolytic	124000-226	R1	Resistor, 10 K Ω , \pm 5%, 1/4 W	110000-103
C7-C14	Capacitor, .1 μ F, 50 V, Ceramic	122002-104	R2	Resistor, 1 Ω , \pm 5%, 1/4 W	110000-010
C15-C18	Capacitor, 3300 μ F, 25 V, Electrolytic, Radial	123003-338	R3, R4	Resistor, 22 K Ω , \pm 5%, 1/4 W	110000-223
C19	Capacitor, .1 μ F, 50 V, Ceramic	122002-104	R5	Resistor, 1 K Ω , \pm 5%, 1/4 W	110000-102
C20, C21	Capacitor, 3300 μ F, 25 V, Electrolytic, Radial	123003-338	R6	Resistor, 10 Ω , \pm 5%, 1/4 W	110000-100
C22	Capacitor, 22 μ F, 35 V, Electrolytic	124000-226	R7	Resistor, 1 K Ω , \pm 5%, 1/4 W	110000-102
C23	Capacitor, .22 μ F, 50 V, Ceramic	122015-224	R8, R9	Resistor, 22 K Ω , \pm 5%, 1/4 W	110000-223
C24	Capacitor, .1 μ F, 50 V, Ceramic	122002-104	R10	Resistor, 1 Ω , \pm 5%, 1/4 W	110000-010
C25	Capacitor, .001 μ F, 50 V, Ceramic	122002-102	R11	Resistor, 10 K Ω , \pm 5%, 1/4 W	110000-103
C26	Capacitor, .22 μ F, 50 V, Ceramic	122015-224	R20	Resistor, 47 Ω , \pm 5%, 1/4 W	110000-470
C27	Capacitor, .1 μ F, 50 V, Ceramic	122002-104	R21	Resistor, 1 K Ω , \pm 5%, 1/4 W	110000-102
C28	Capacitor, 10 μ F, 25 V, Electrolytic	124009-106	R22, R23	Resistor, 1 Ω , \pm 5%, 1 W, Carbon Film	110030-010
C29	Capacitor, .1 μ F, 50 V, Ceramic	122002-104	R24	Resistor, 2.2 Ω , \pm 5%, 1/2 W	110001-022
C31	Capacitor, 1000 μ F, 25 V, Radial	123003-108	Miscellaneous		
Diodes			FM1, FM2	Fuseclip	179050-002
CR1-CR6	Diode, 1N4001	131048-001	HS1, HS2	Heatsink, TDA2030	178190-032
CR7-CR12	Diode, 1N5401	131051-002	HS3	Heatsink, 7815	178190-124
CR19	Diode, 1N5401	131051-002	Connector, 2 Ckt, Header, .156 Ctr		
Fuse			Connector, 9 Circuit, Header, .156 Ctr		
FU2	Fuse, 3 Amp, 250 V, Norm	146007-3022	Connector, 3 Ckt, Header, .156 Ctr		
			Connector, 6 Ckt, Header, .156 Ctr		
			Connector, 9 Circuit, Header, .156 Ctr		

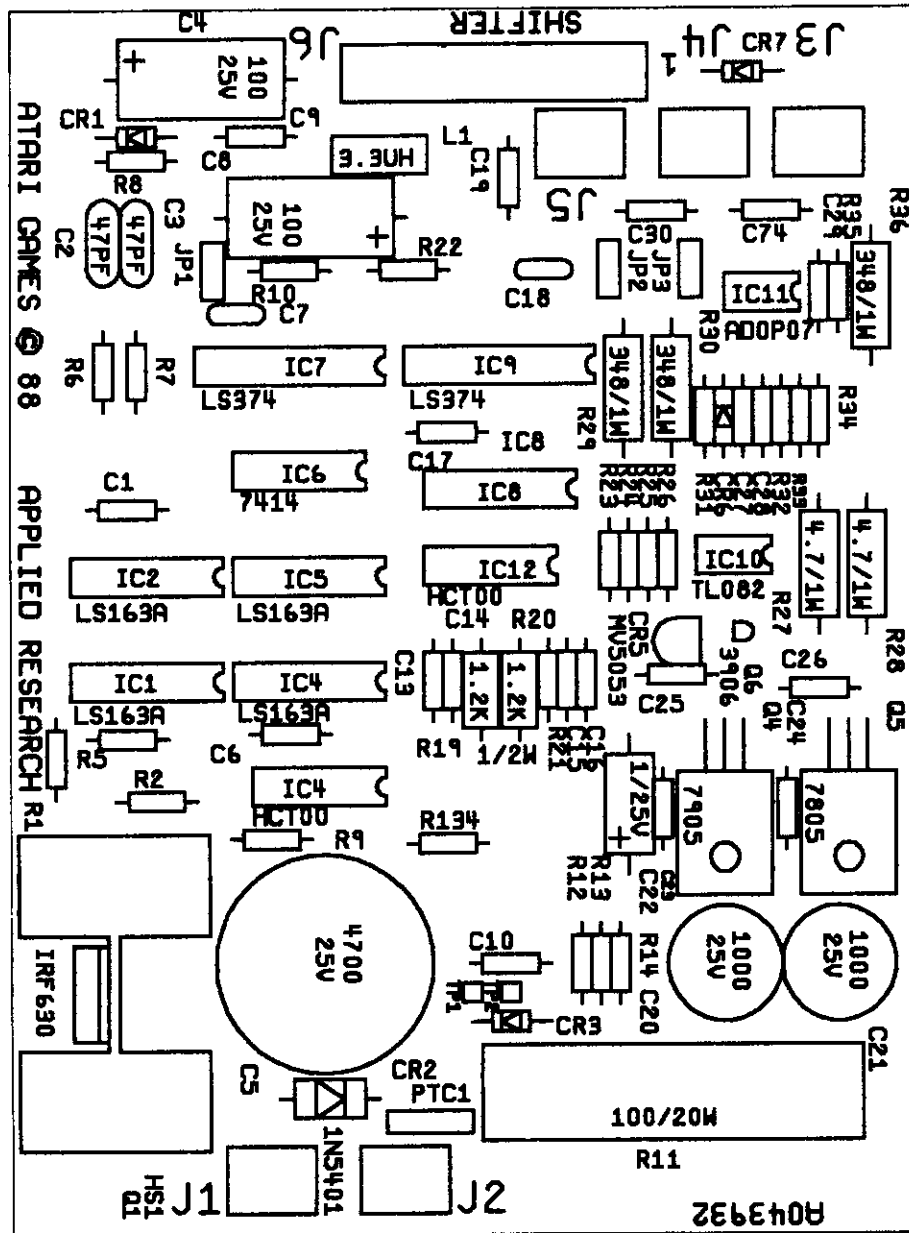


Figure 4-13 Shifter PCB Assembly
A043932-01 E

Shifter PCB Assembly Parts List

Designator	Description	Part No.	Designator	Description	Part No.
Capacitors			Transistors		
C1	Capacitor, .1 μ F, 50 V, Ceramic	122002-104	Q1	Transistor, FET, IRF630	133039-001
C2, C3	Capacitor, 47 pF, 100 V, Mica	128002-470	Q4	Integrated Circuit, 7905	137581-001
C4	Capacitor, 100 μ F, 25 V, Electrolytic	124010-107	Q5	Integrated Circuit, 7805	137596-001
C5	Capacitor, 4700 μ F, 25 V, Electrolytic, Radial	123021-478	Q6	Transistor, 2N3906	133040-001
C6	Capacitor, .1 μ F, 50 V, Ceramic	122002-104	Resistors		
C7	Capacitor, 100 pF, 100 V, Ceramic	122016-101	R1	Resistor, 100 K Ω , \pm 5%, 1/4 W	110000-104
C8	Capacitor, 100 μ F, 25 V, Electrolytic	124010-107	R2	Resistor, 270 Ω , \pm 5%, 1/4 W	110000-271
C9, C10	Capacitor, .1 μ F, 50 V, Ceramic	122002-104	R5	Resistor, 1 K Ω , \pm 5%, 1/4 W	110000-102
C13-C17	Capacitor, .1 μ F, 50 V, Ceramic	122002-104	R6, R7	Resistor, 510 Ω , \pm 5%, 1/4 W	110000-511
C19	Capacitor, .1 μ F, 50 V, Ceramic	122002-104	R8	Resistor, 10 K Ω , \pm 5%, 1/4 W	110000-103
C18	Capacitor, 100 pF, 100 V, Ceramic	122016-101	R9	Resistor, 1 K Ω , \pm 5%, 1/4 W	110000-102
C20, C21	Capacitor, 1000 μ F, 25 V, Electrolytic, Radial	123003-108	R10	Resistor, 2.2 K Ω , \pm 5%, 1/4 W	110000-222
C22	Capacitor, 1 μ F, 50 V, Electrolytic	124001-105	R11	Resistor, 100 Ω , \pm 5%, 20 W (Acceptable Substitute is part no. 116027-101)	116025-101
C23-C30, C74	Capacitor, .1 μ F, 50 V, Ceramic	122002-104	R12	Resistor, 68 K Ω , \pm 5%, 1/4 W	110000-683
Diodes			R13, R14	Resistor, 10 K Ω , \pm 5%, 1/4 W	110000-103
CR1	Diode, 1N4001	131048-001	R19, R20	Resistor, 1.2 K Ω , \pm 5%, 1/2 W	110001-122
CR2	Diode, 1N5401	131051-002	R21	Resistor, 22 K Ω , \pm 5%, 1/4 W	110000-223
CR3	Diode, 1N4005	131048-005	R22	Resistor, 2.2 K Ω , \pm 5%, 1/4 W	110000-222
CR5	Diode, MV5053, Light Emitting	131027-002	R23	Resistor, 4.7 K Ω , \pm 5%, 1/4 W	110000-472
CR6	Diode, 1N100	131053-001	R24, R25	Resistor, 3 K Ω , \pm 5%, 1/4 W	110000-302
CR7	Diode, 1N4001	131048-001	R26	Resistor, 330 Ω , \pm 5%, 1/4 W	110000-331
Integrated Circuits			R27, R28	Resistor, 4.7 Ω , 1 W	110030-047
IC1, IC2	Integrated Circuit, 74LS163 A	137114-001	R29, R30	Resistor, 348 Ω , 1 W	110029-3480
IC3	Integrated Circuit, 74HCT00	137606-001	R31	Resistor, 1 K Ω , \pm 5%, 1/4 W	110000-102
IC4, IC5	Integrated Circuit, 74LS163 A	137114-001	R32	Resistor, 47 K Ω , \pm 5%, 1/4 W	110000-473
IC6	Integrated Circuit, 7414	137017-001	R33	Resistor, 100 Ω , \pm 5%, 1/4 W	110000-101
IC7	Integrated Circuit, 74LS374	137144-001	R34	Resistor, 39 K Ω , \pm 5%, 1/4 W	110000-393
IC8	Integrated Circuit, DAC-08	137159-001	R35	Resistor, 2.2 Ω , \pm 5%, 1/4 W	110000-022
IC9	Integrated Circuit, 74LS374	137144-001	R36	Resistor, 348 Ω , 1 W	110029-3480
IC10	Integrated Circuit, TL082CP	137584-001	R37	Resistor, 2.7 K Ω , \pm 5%, 1/4 W	110000-272
IC11	Integrated Circuit, ADOP07CN	137523-001	R134	Resistor, 0 Ω , \pm 5%, 1/4 W	110005-001
IC12	Integrated Circuit, 74HCT00	137606-001	Miscellaneous		
L1	Inductor, 3.3 μ H	141023-001	HS1	Heatsink, TDA2030	178190-032
Fuse			JP1-3	Connector, Rcpt, 2 Ckt	179178-002
PTC1	Fuse, Current, PTC, .9 A, 50 V	146011-090	J1-J5	Connector, 3 Circuit, Header, .156 Ctr	179213-003
			J6	Connector, 26 Circuit, Header, .1 X .1 Dual	179261-026
			JP1-JP3	Connector, 3 Ckt, Header, .100 Ctr	179048-003

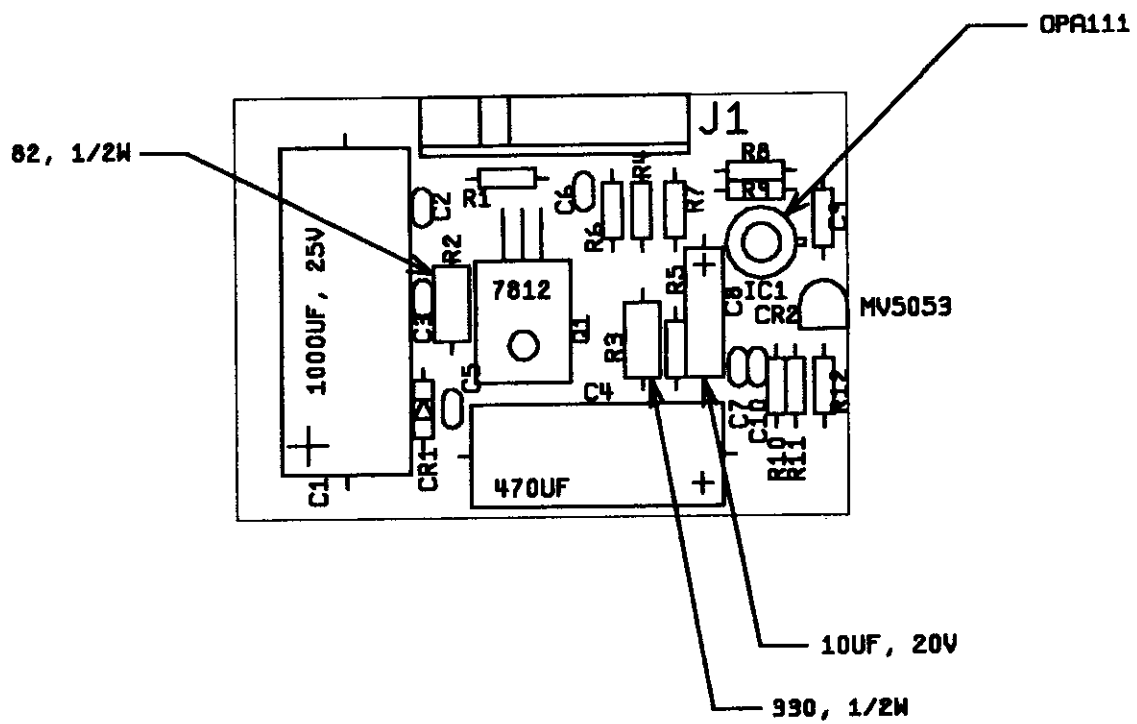


Figure 4-14 Brake PCB Assembly
A044817-01 F

Brake PCB Assembly Parts List

Designator	Description	Part No.	Designator	Description	Part No.
Capacitors			Resistors		
C1	Capacitor, 1000 μ F, 25 V, Electrolytic	24-250108	R1	Resistor, 10, \pm 5%, 1/4 W	110000-100
C2, C3	Capacitor, .1 μ F, 50 V, Ceramic	122002-104	R3	Resistor, 330 Ω , \pm 5%, 1/2 W	110001-331
C4	Capacitor, 470 μ F, 25 V, Electrolytic	123009-477	R4	Resistor, 1 K Ω , \pm 5%, 1/4 W	110000-102
C5-C7	Capacitor, .1 μ F, 50 V, Ceramic	122002-104	R5	Resistor, 2.2 M Ω , \pm 5%, 1/4 W	110000-225
C8	Capacitor, 10 μ F, 20 V, Tant	127001-106	R6	Resistor, 1 K Ω , \pm 5%, 1/4 W	110000-102
C9	Capacitor, .001 μ F, 50 V, \pm 10%	122015-102	R7	Resistor, 10 K Ω , \pm 5%, 1/4 W	110000-103
C10	Capacitor, .1 μ F, 50 V, Ceramic	122002-104	R8	Resistor, 1 K Ω , \pm 5%, 1/4 W	110000-102
Diodes			R9	Resistor, 270 K Ω , \pm 5%, 1/4 W	110000-274
CR1	Diode, 1N4740, 10 V, 5%, Zener	131009-213	R10-R12	Resistor, 1 K Ω , \pm 5%, 1/4 W	110000-102
CR2	Diode, MV5053, Light Emitting	131027-002	Miscellaneous		
Integrated Circuit			J1	Connector, 9 Circuit, Header, .156 Ctr, Key 3	179213-009
IC1	Integrated Circuit, OPA111	137576-002			
Transistor					
Q1	Integrated Circuit, 7812	137597-001			



Atari Games Corporation
675 Sycamore Drive
P.O. Box 361110
Milpitas, CA 95035

