

8

7

6

5

D

J2-4 >

+12V

J2-6 > +12V

C51  
.1



C

J2-5 > +5V

+5V1

+5V2

PR1

PR2

PR3

PR4

R26  
1K

R25  
1K

R44  
1K

R86  
1K

C55  
100/35V

C56  
.1

R81  
220

CR3  
MV5053

GND1

GND2

GND3

GND4

J2-1 >

J2-9 >



B

J2-2 > -5V

C52  
.1

-5V



B

CR4

IN4002

J2-3 > -15V/UNREGULATED

J2-7 >

C54  
10/35V

C53  
.1

Q1  
7915

CASE

C58  
10/35V

C57  
.1

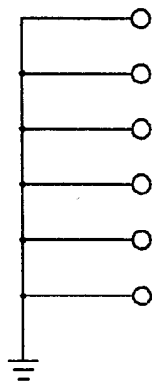
-15V



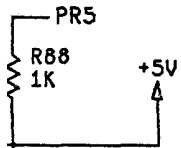
D

J2-8 >

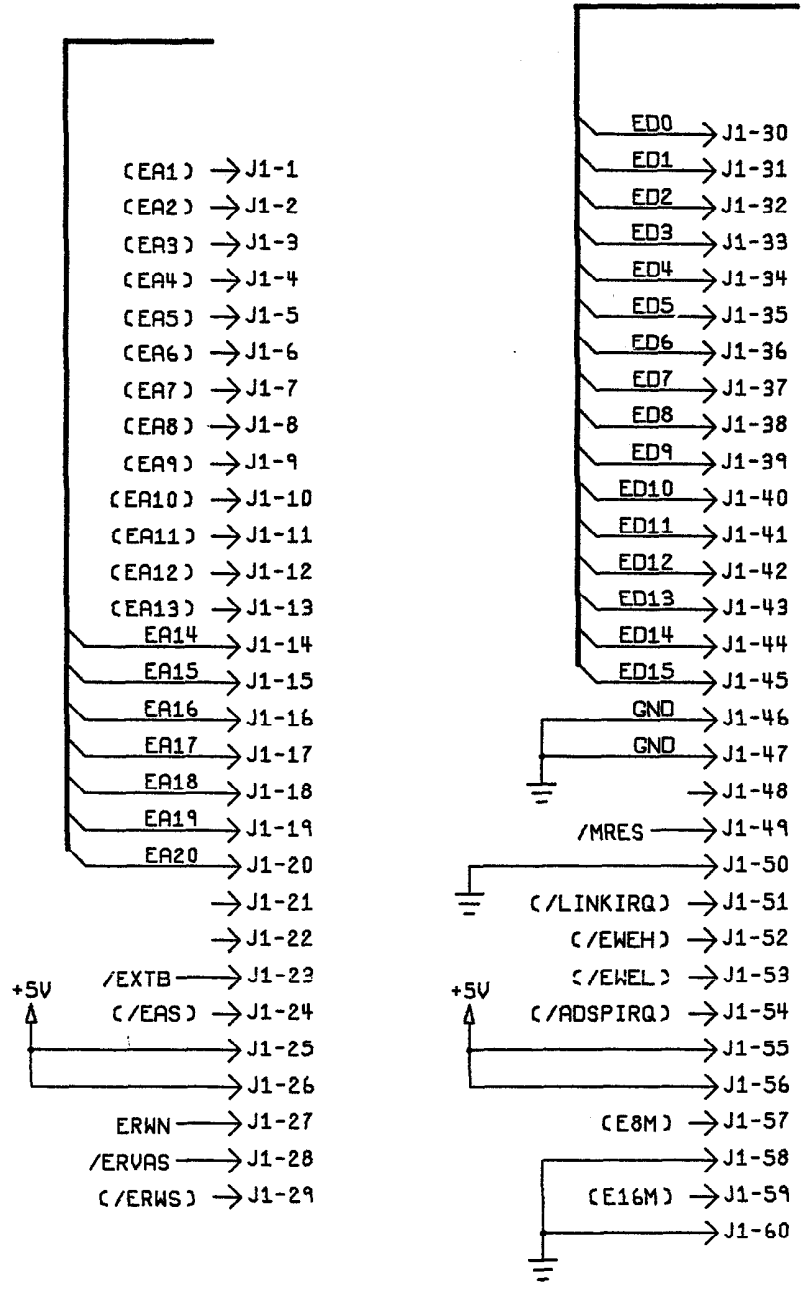
MOUNTING



| REVISIONS |                |         |       |       |          |
|-----------|----------------|---------|-------|-------|----------|
| BY        | DESCRIPTION    | DATE    | INCRP | CHECK | APPROVED |
| A         | PRODUCTION REL | 6-30-88 | STAFF |       |          |



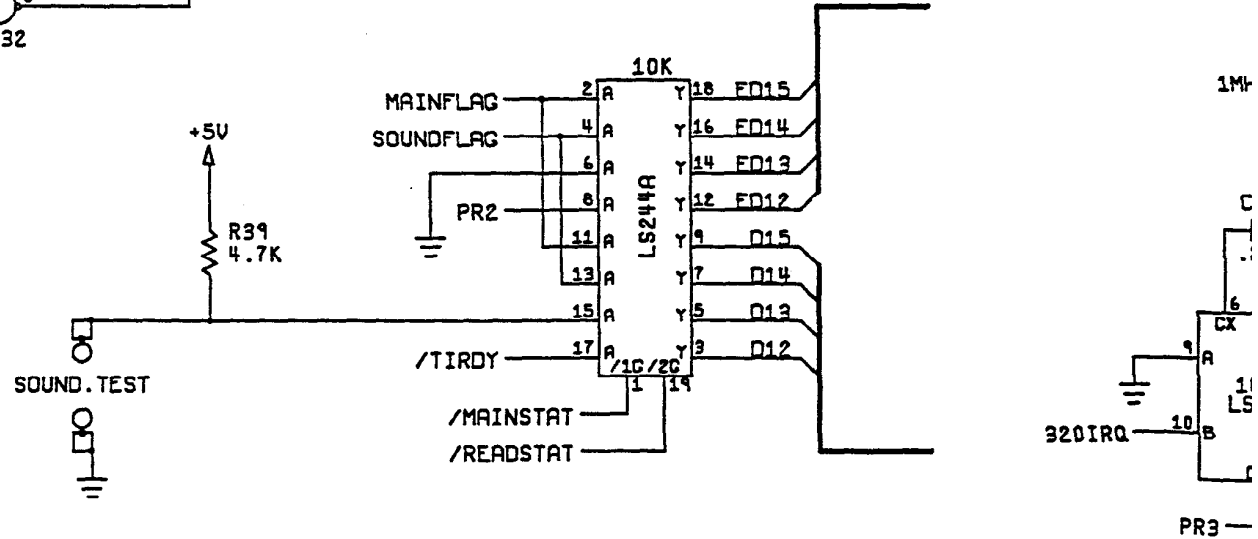
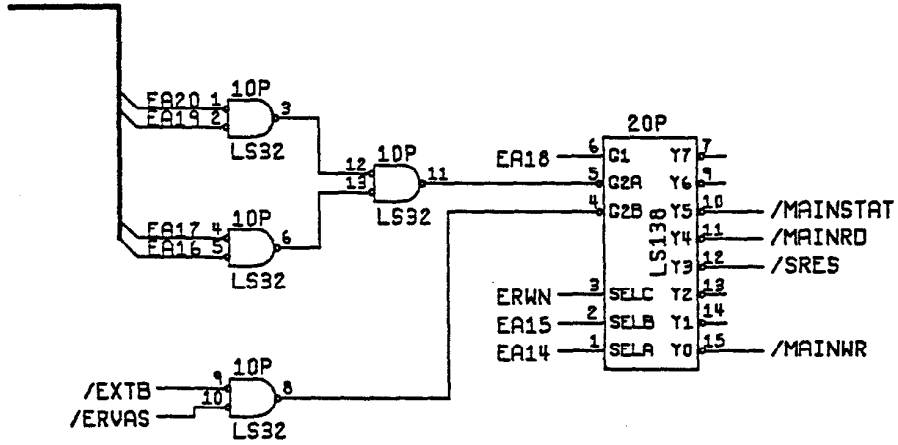
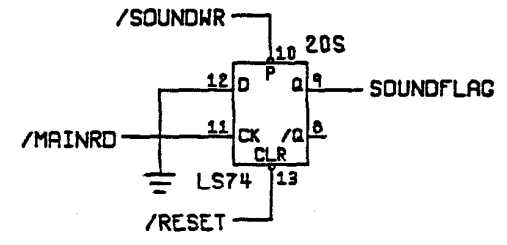
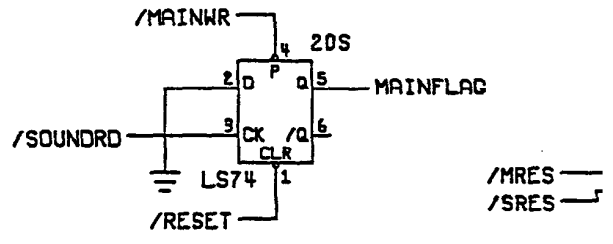
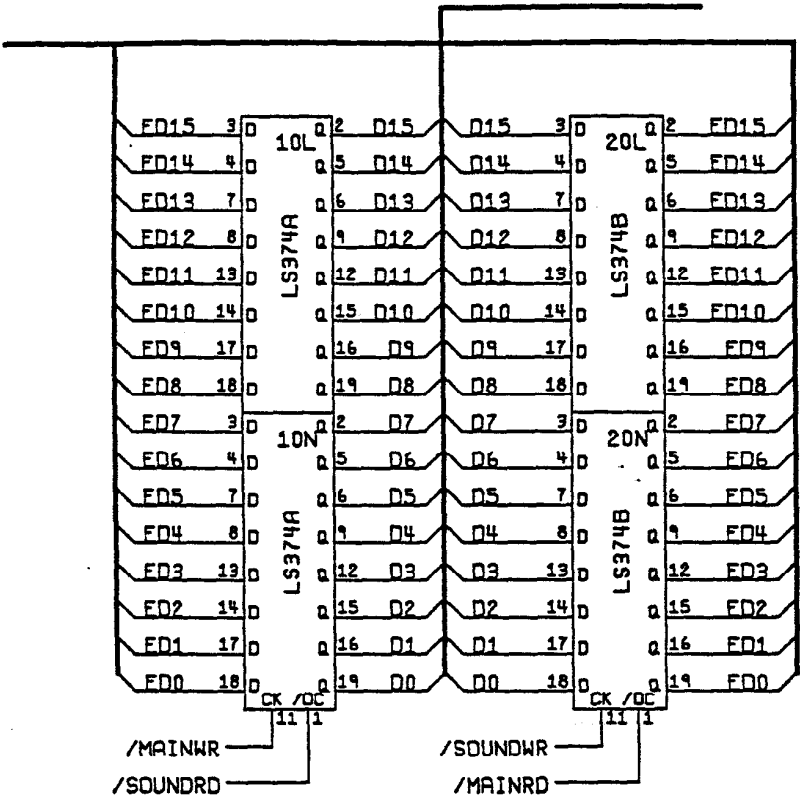
IG HOLES

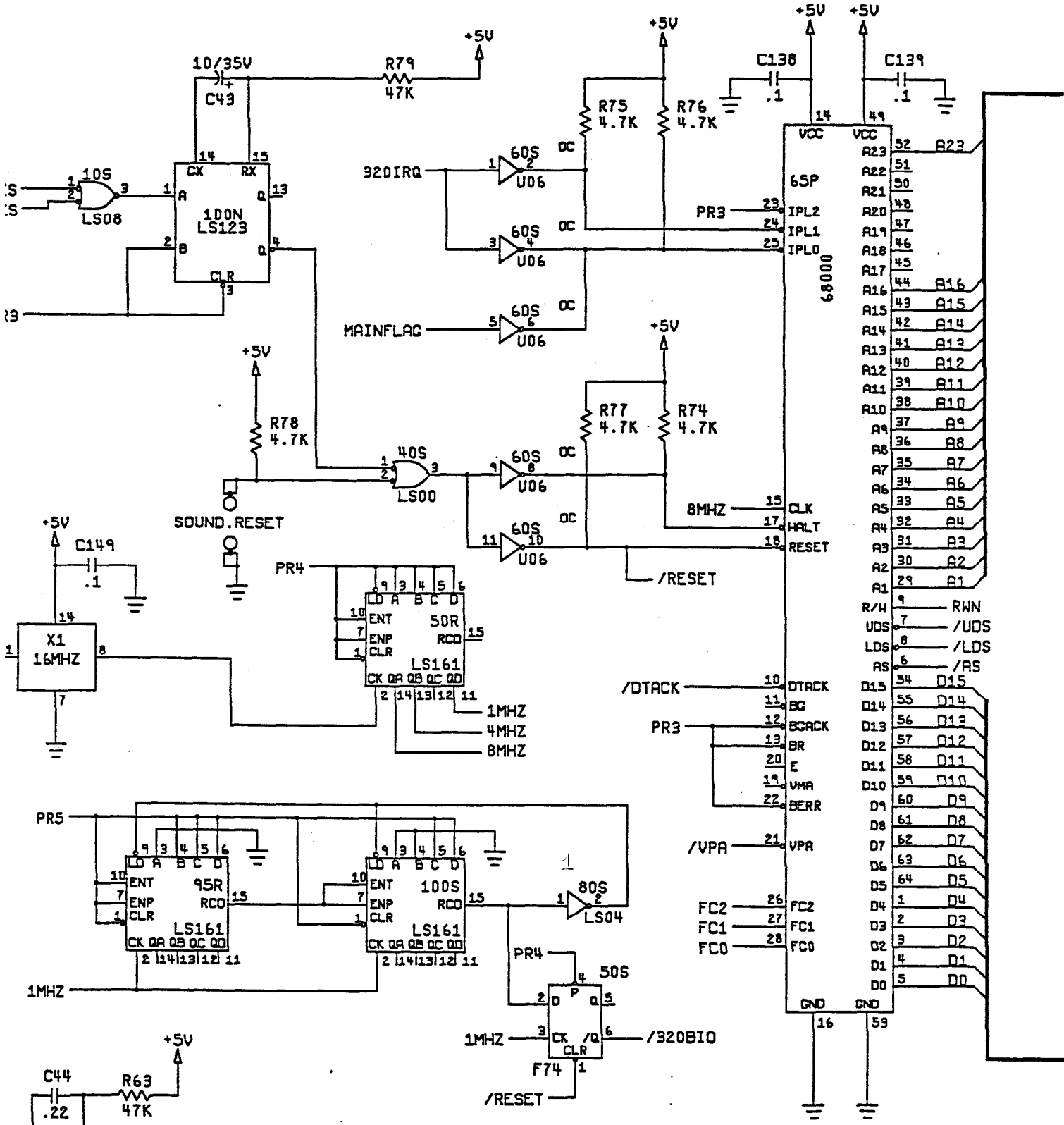


**NEXT ASSY**    **FIRST USED ON**

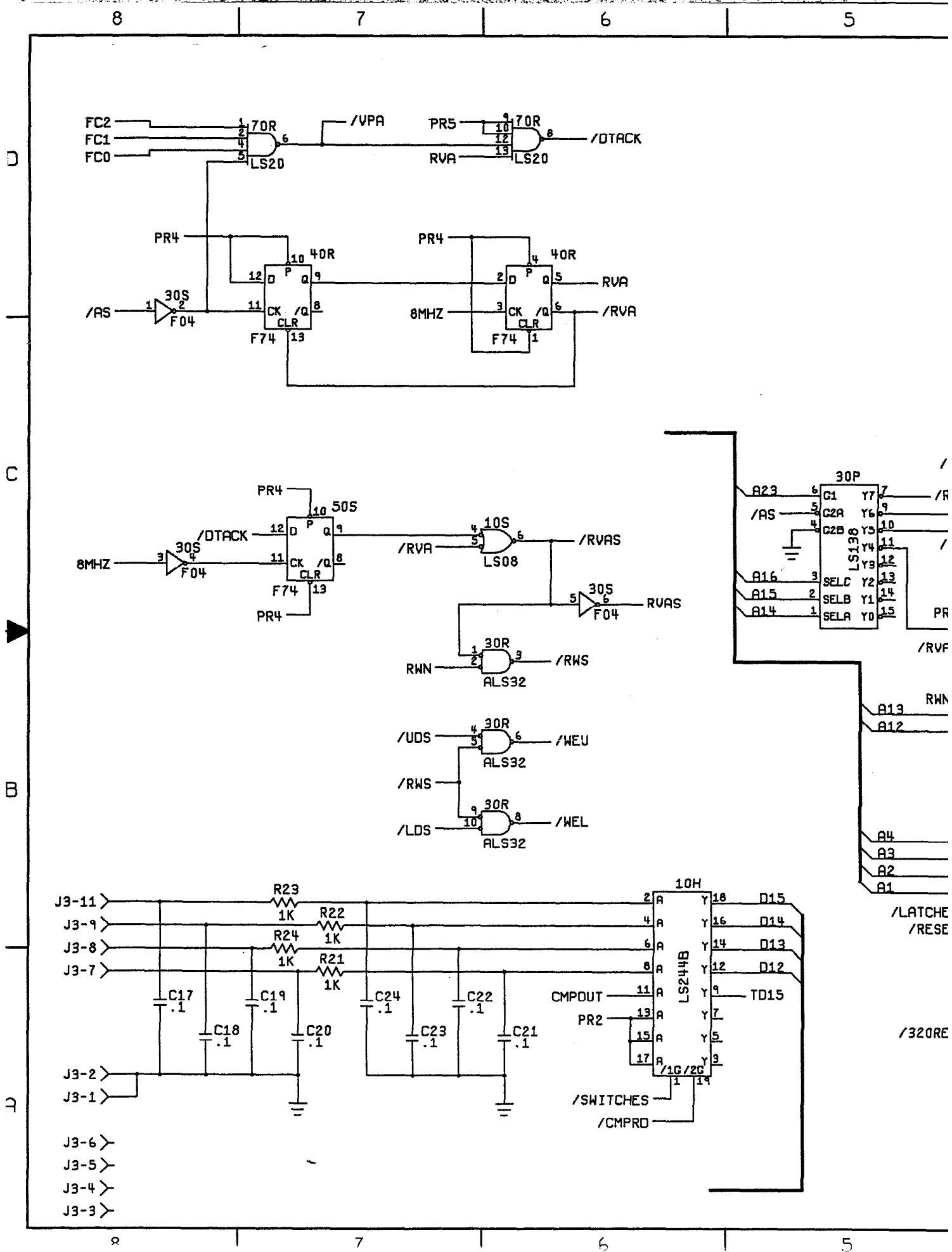
NOTICE TO ALL PERSONS RECEIVING THIS DRAWING: CONFIDENTIAL; REPRESENTATIVE FORNOSTON WITHOUT THE SPECIFIC WRITTEN PERMISSION OF ATARI GAMES CORPORATION, MILPITAS, CA. THIS DRAWING IS ONLY CONDITIONALLY LOANED, AND NEITHER RECEIPT NOR POSSESSION THEREOF CONFERES OR TRANSFERS ANY RIGHT IN, OR LICENSE TO USE, THE SUBJECT MATTER OF THE DRAWING OR ANY DESIGN OR TECHNICAL INFORMATION SHOWN THEREON, NOR ANY RIGHT TO REPRODUCE THIS DRAWING OR ANY PART THEREOF, EXCEPT FOR MANUFACTURE BY VENDORS OF ATARI GAMES CORPORATION, AND FOR MANUFACTURE UNDER THE CORPORATION'S WRITTEN LICENSE. NO RIGHT IS GRANTED TO REPRODUCE THIS DRAWING OR THE SUBJECT MATTER THEREOF, UNLESS BY WRITTEN AGREEMENT WITH OR WRITTEN PERMISSION FROM THE CORPORATION.

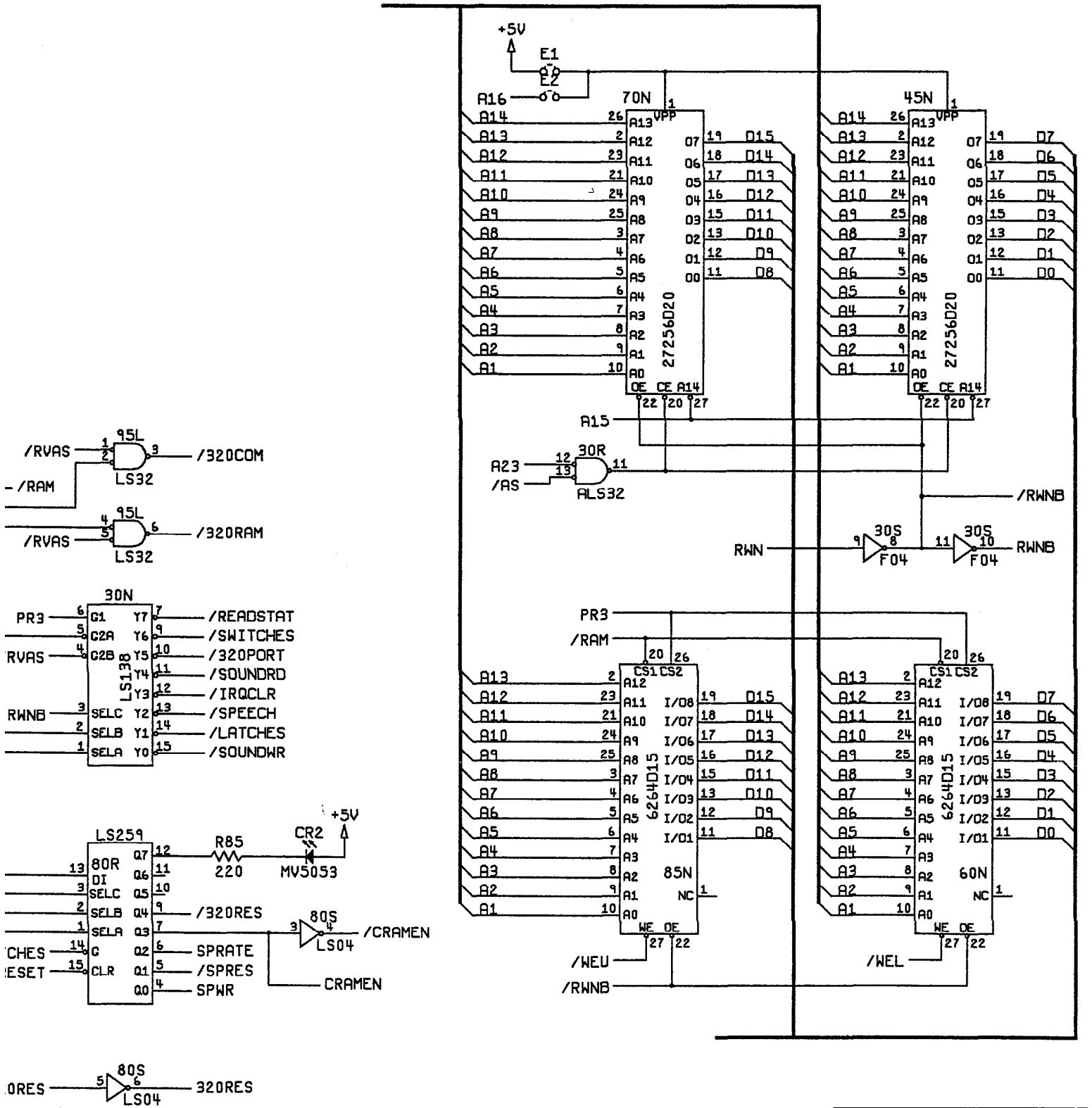
|  |   |  |
|--|---|--|
| <b>DO NOT SCALE DRAWING</b><br>UNLESS OTHERWISE SPECIFIED DIMENSIONS ARE IN INCHES<br>TOLERANCES ON:<br>HOLES ± 1°<br>.XX ± .01<br>.XXX ± .005 | <b>DRAWN BY</b><br>STAFF<br><b>6-30-88</b><br><b>DATE</b>               | <b>ATARI</b><br>ATARI GAMES CORP.<br>675 SYCAMORE DRIVE<br>MILPITAS, CA. 95035 |
| <b>CHECKED BY</b><br><i>J. Macpherson</i><br><b>6-2-88</b><br><b>DATE</b>  | <b>ENGR ELECT</b><br><i>D. Margolin</i><br><b>6-2-88</b><br><b>DATE</b> | <b>TITLE</b><br>SCHEMATIC<br>DRIVER SOUND                                      |
| <b>MATERIAL:</b>   | <b>PARL ENGR</b><br><i>D. Margolin</i><br><b>6-2-88</b><br><b>DATE</b>  | <b>SIZE</b><br>D   |
| <b>FINISH:</b>   | <b>MFG ENGR</b><br><i>Small</i><br><b>6-2-88</b><br><b>DATE</b>         | <b>DRAWING NO.</b><br>A044427  |
|  |   | <b>REV</b><br>A  |
|  | <b>SCALE</b><br>NONE  | <b>SHEET</b> 1 <b>OF</b> 10  |





|                                   |             |  |
|-----------------------------------|-------------|--|
| <b>ATARI</b>                      |             | ATARI GAMES CORP.<br>675 STOPPERS DRIVE<br>MILPITAS, CA. 95035 |
| TITLE                             |             |  |
| <b>SCHEMATIC<br/>DRIVER SOUND</b> |             |  |
| SIZE                              | DRAWING NO. | REV  |
| D                                 | A044427     | D  |
| SCALE                             | NONE        | SHEET 2 OF 10  |

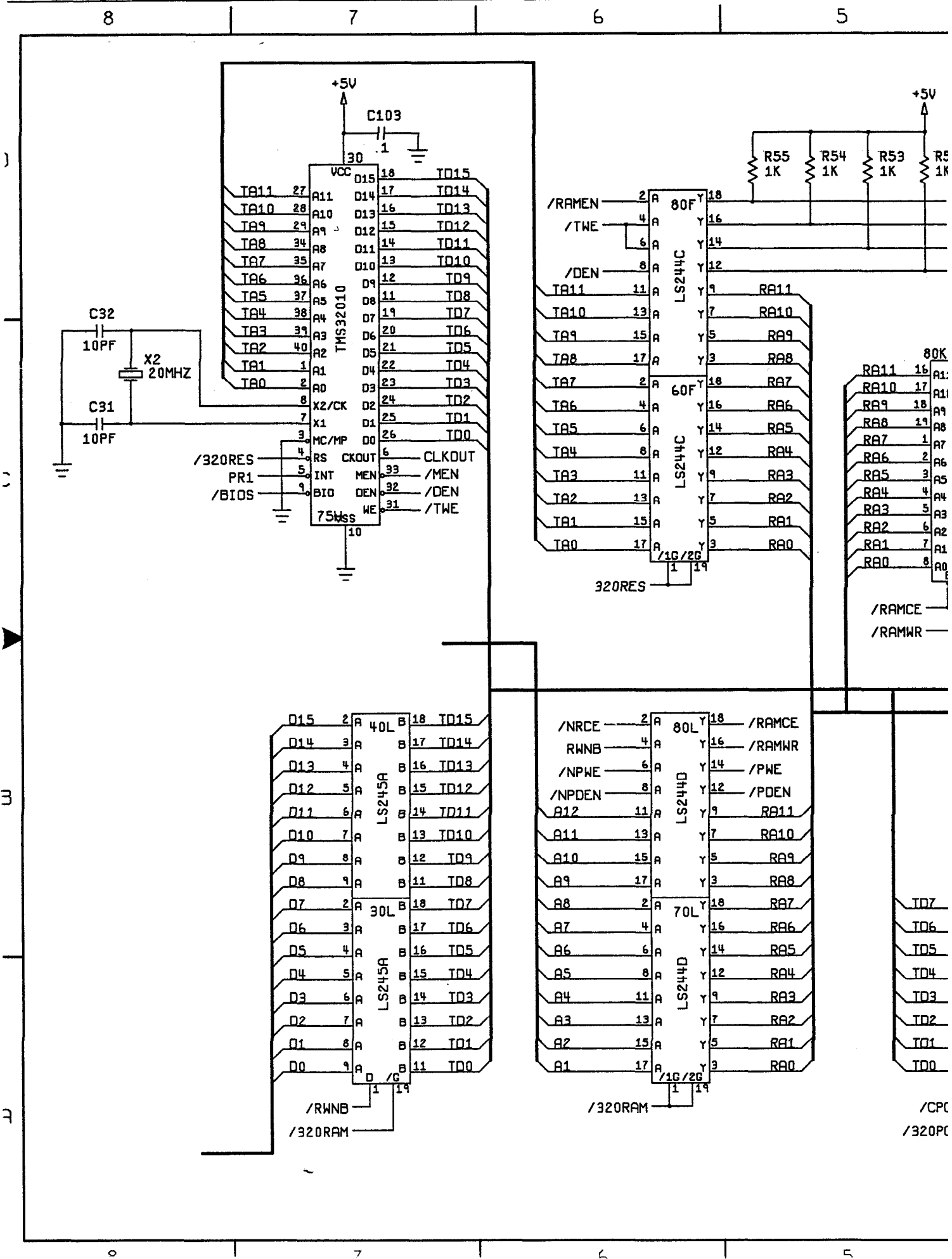




**ATARI** ATARI GAMES CORP.  
675 SYCAMORE DRIVE  
MELVILLE, CA. 94065

TITLE  
**SCHEMATIC  
DRIVER SOUND**

|               |                        |          |
|---------------|------------------------|----------|
| SIZE<br>D     | DRAWING NO.<br>A044427 | REV<br>A |
| SCALE<br>NONE | SHEET<br>3             | OF<br>10 |

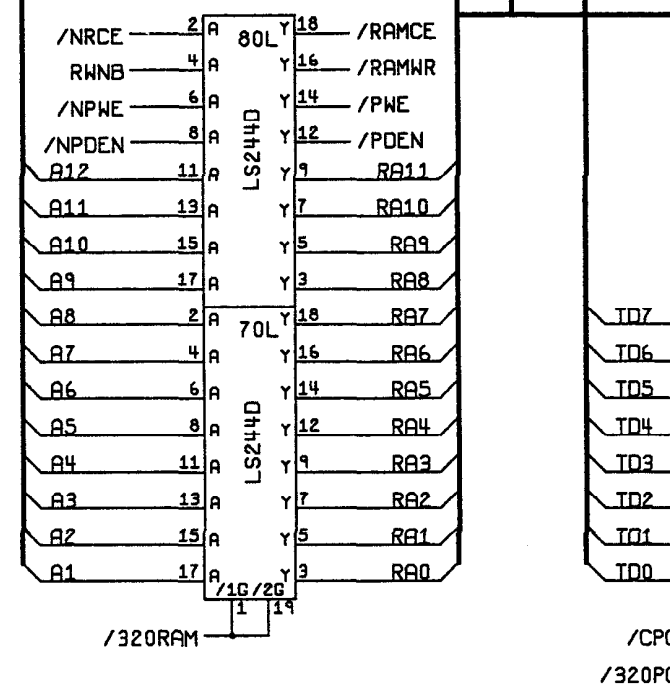
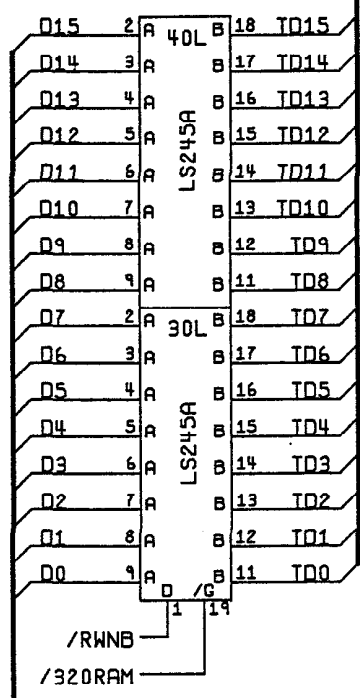
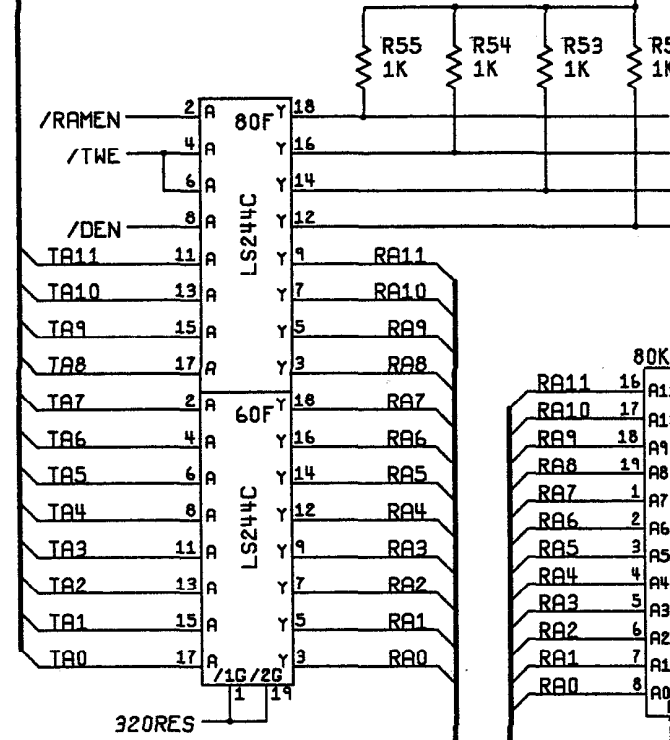
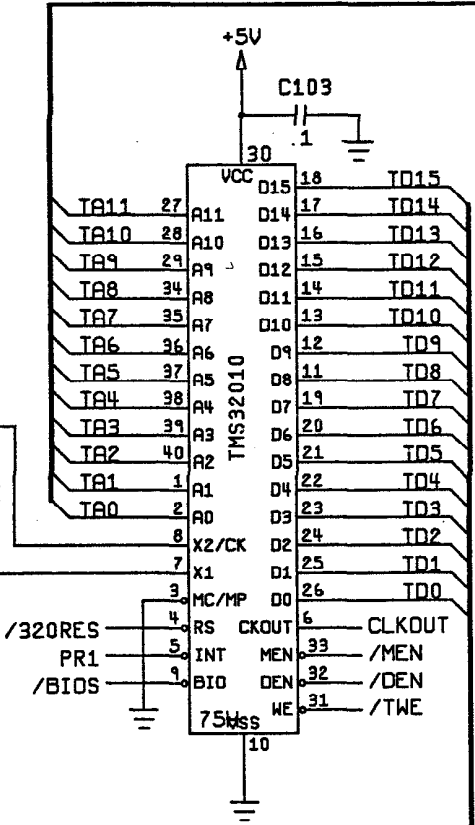
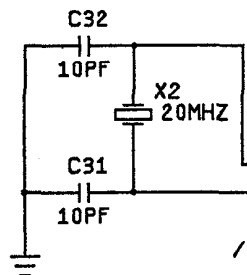


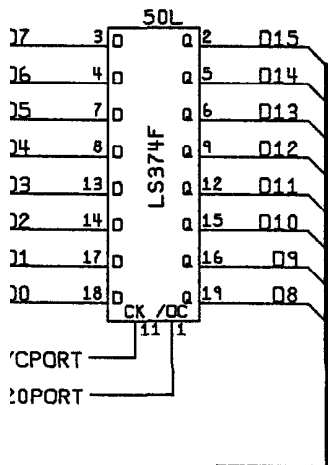
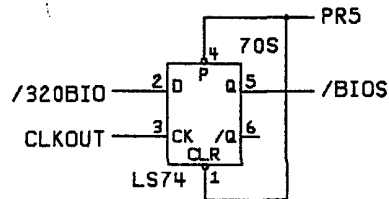
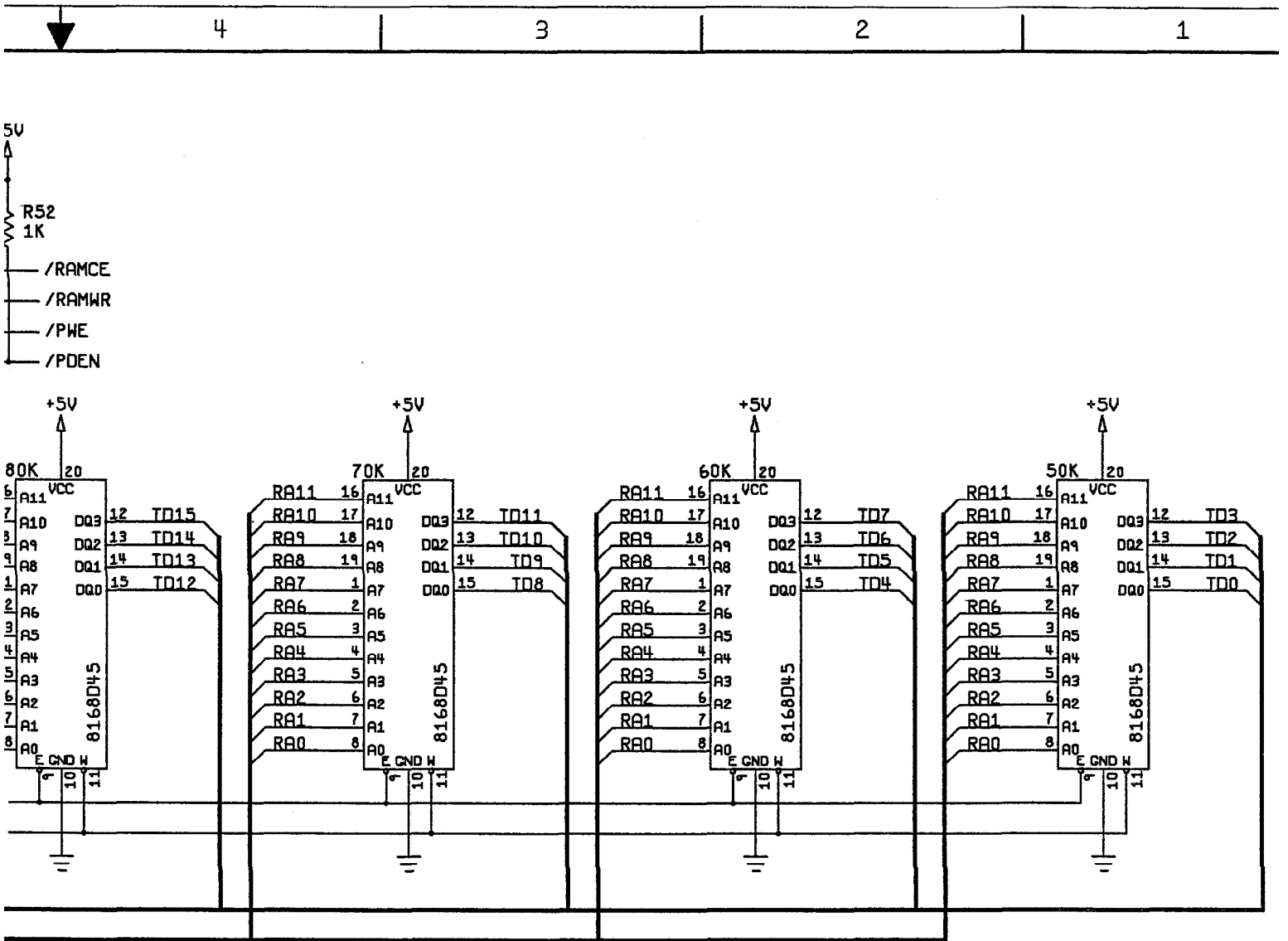
8

7

6

5





|                           |             |  |
|---------------------------|-------------|--|
| ATARI                     |             | ATARI GAMES CORP.<br>675 STEPHORE DRIVE<br>MILPITAS, CA. 95035 |
| TITLE                     |             |  |
| SCHEMATIC<br>DRIVER SOUND |             |  |
| SIZE                      | DRAWING NO. | REV  |
| D                         | A044427     | A  |
| SCALE                     | NONE        | SHEET 4 OF 10  |

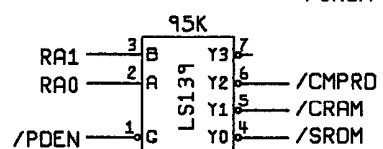
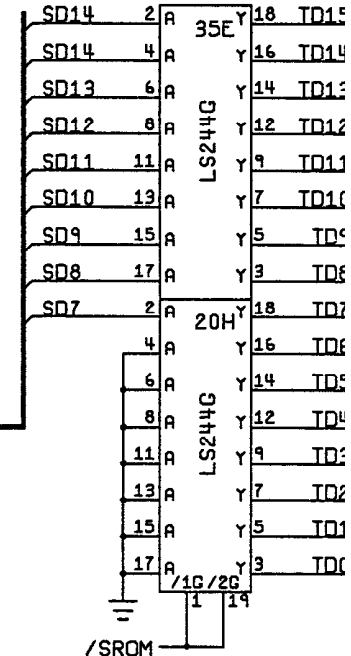
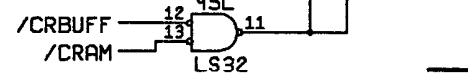
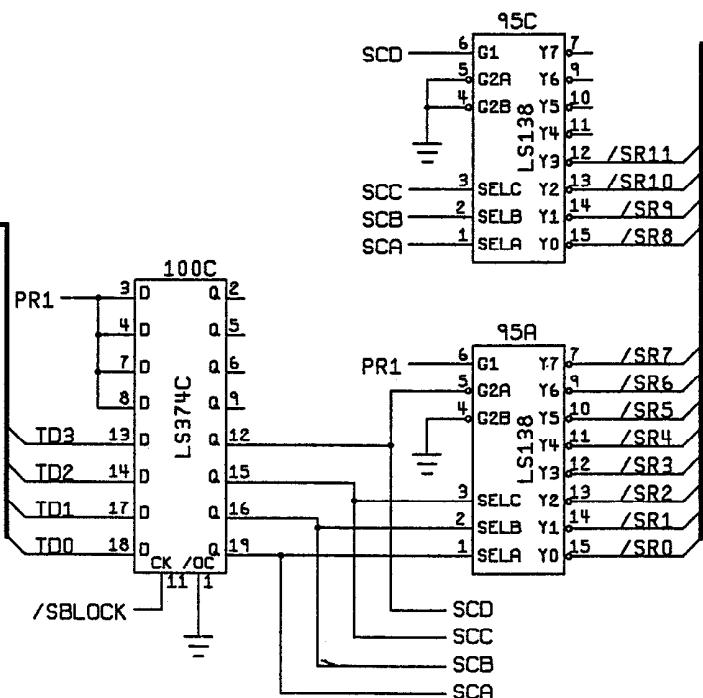
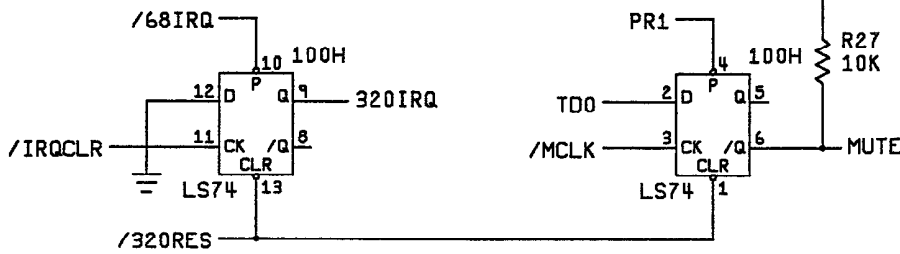
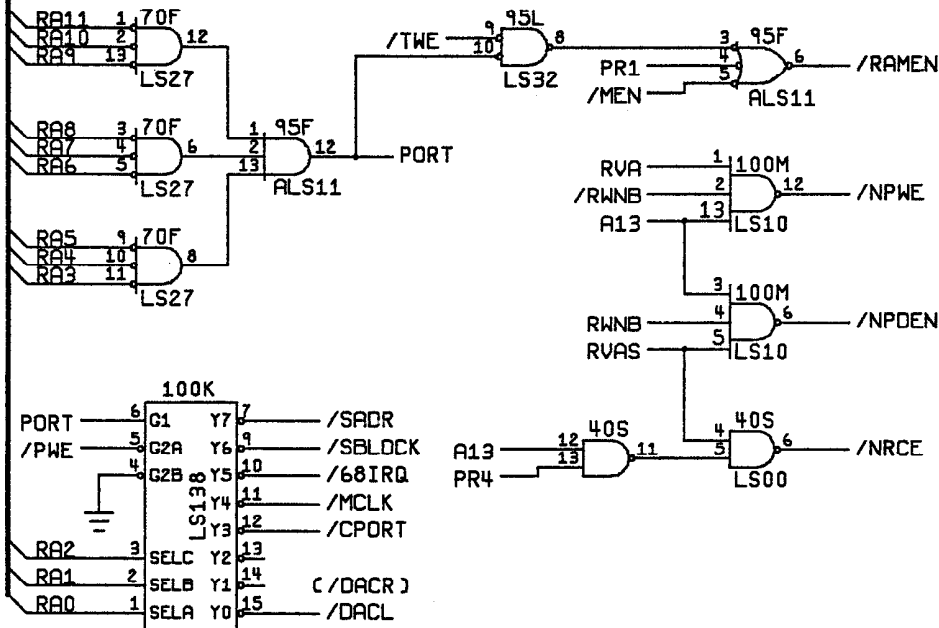


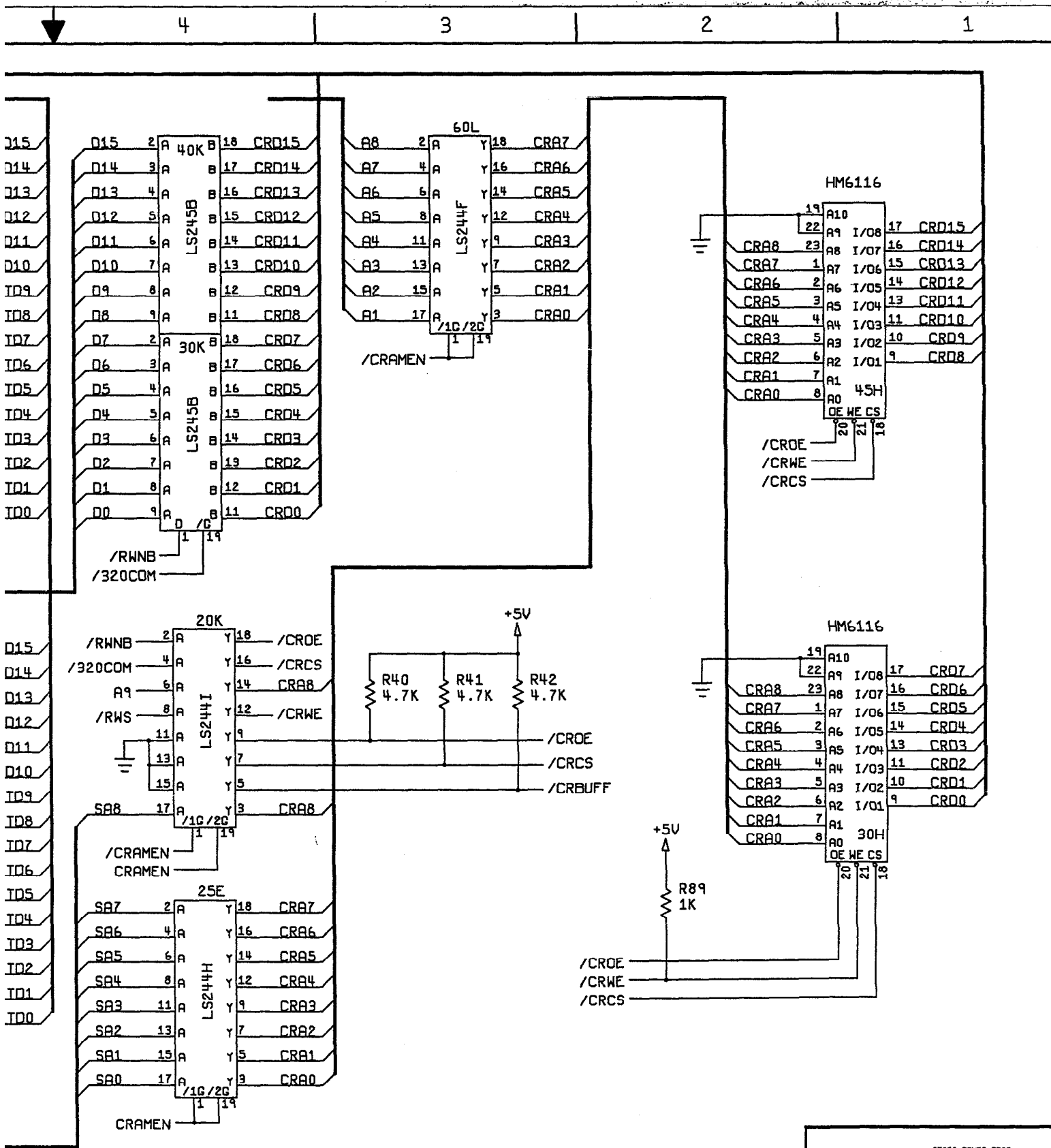
D

C

B

A

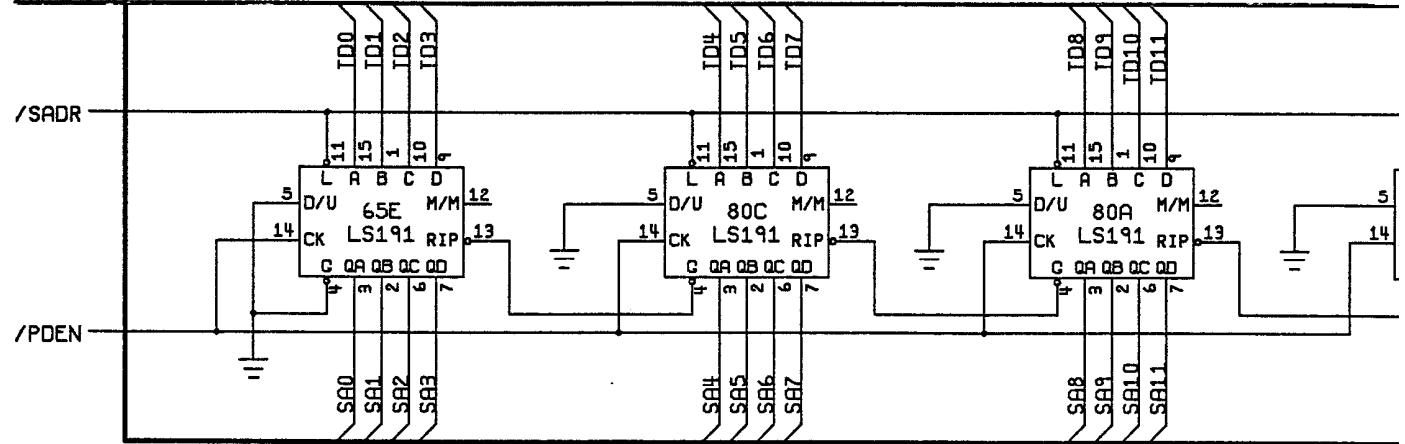
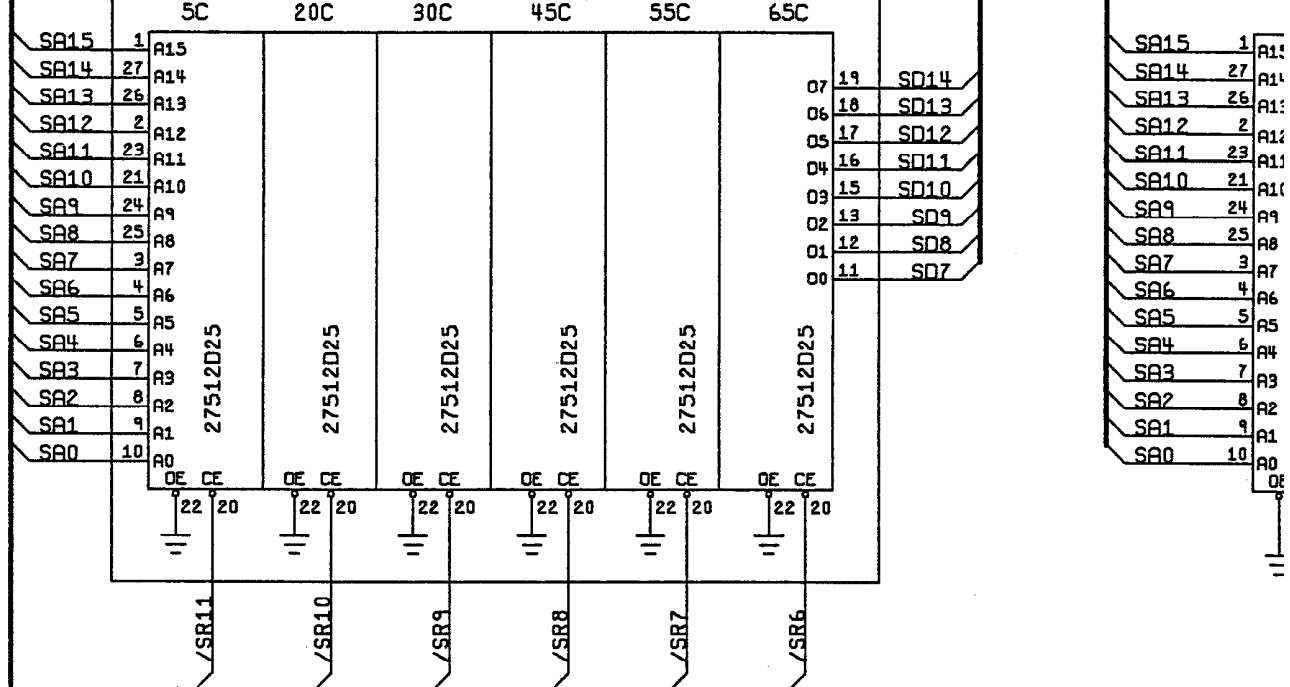




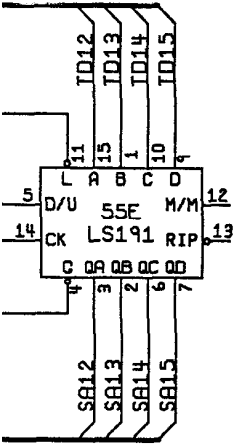
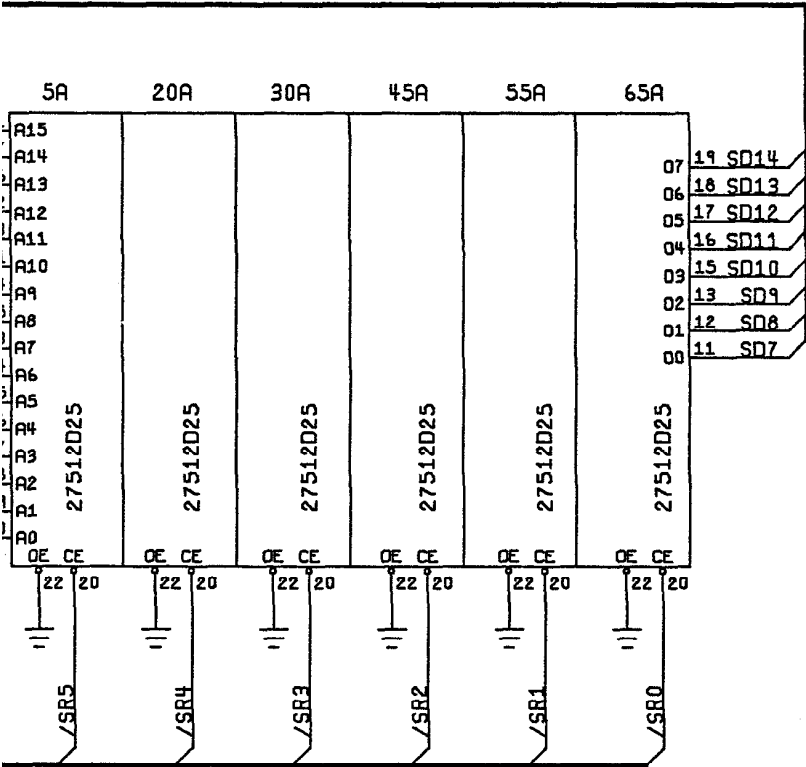
|  |             |  |
|--|-------------|--|
| <b>ATARI</b>                               |             | ATARI GAMES CORP.<br>673 SYCAMORE DRIVE<br>MILPITAS, CA. 95035 |
| TITLE<br><b>SCHEMATIC<br/>DRIVER SOUND</b> |             |  |
| SIZE                                       | DRAWING NO. | REV  |
| D  | A044427     | A  |
| SCALE                                      | SHEET       | OF   |
| NONE                                       | 5           | 10   |

8 7 6 5

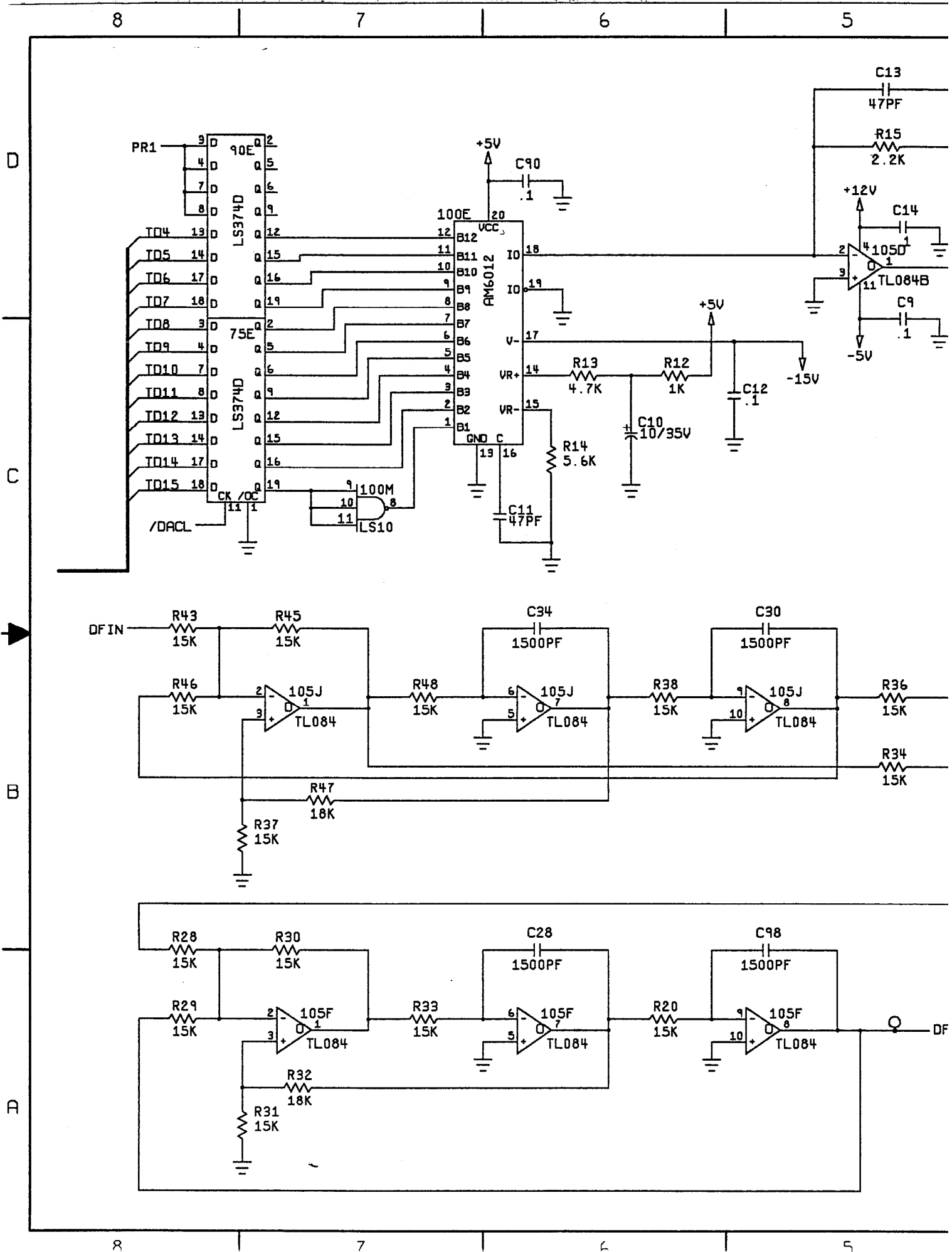
NOT LOADED

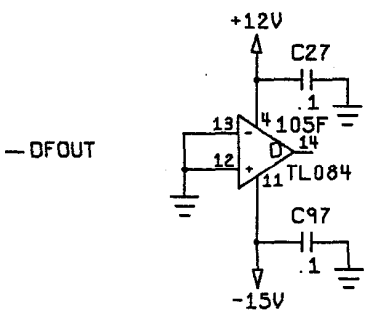
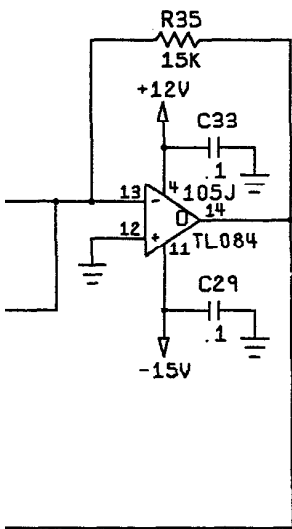
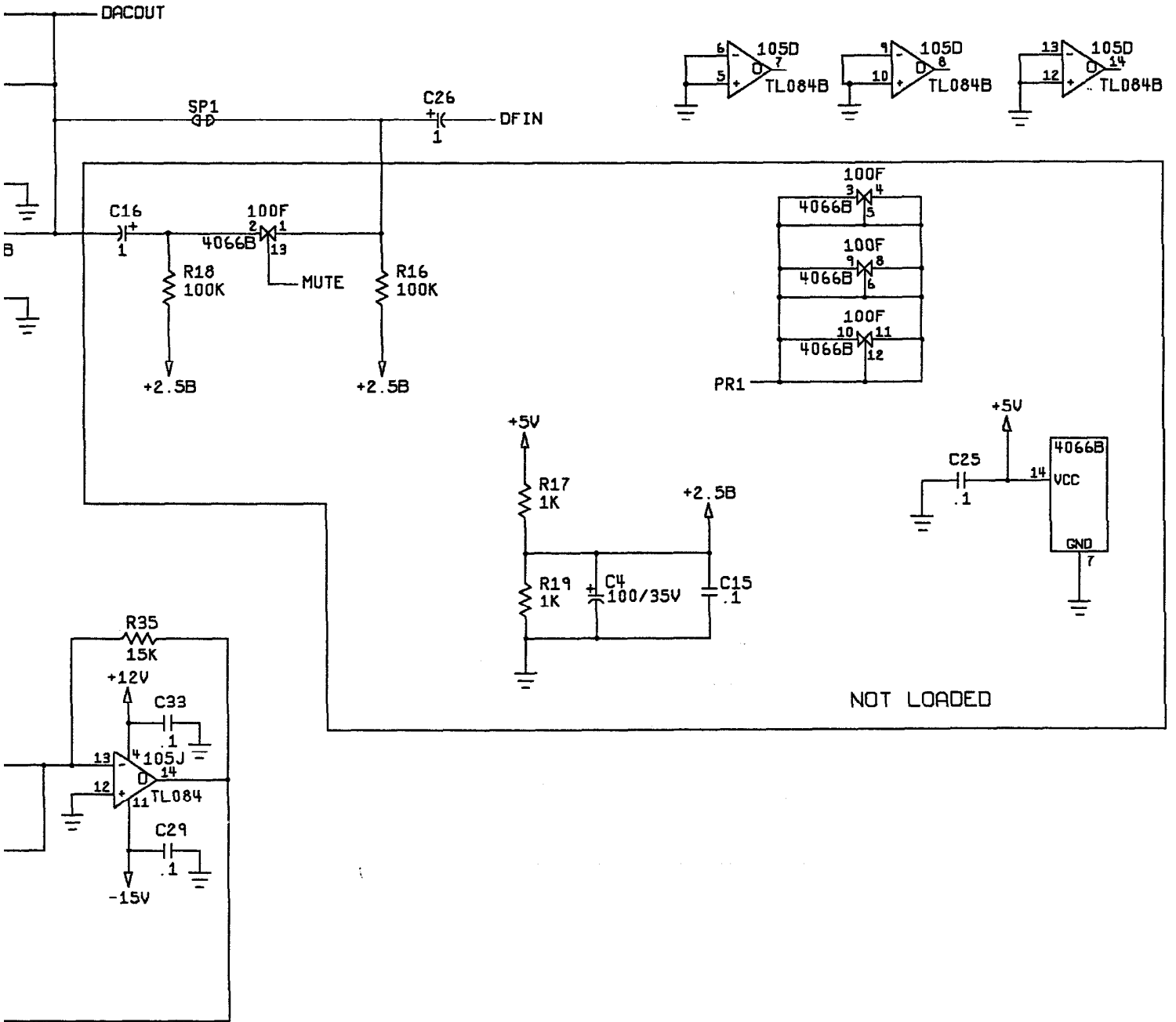


8 7 6 5



|                           |             |  |       |
|---------------------------|-------------|--|-------|
| ATARI                     |             | ATARI GAMES CORP.<br>673 SYCAMORE DRIVE<br>MILPITAS, CA. 95035 |       |
| TITLE                     |             |  |       |
| SCHEMATIC<br>DRIVER SOUND |             |  |       |
| SIZE                      | DRAWING NO. | REV  |       |
| D                         | A044427     | A  |       |
| SCALE                     | NONE        | SHEET 6  | OF 10 |





NOT LOADED

|                           |             |         |  |
|---------------------------|-------------|---------|--|
| ATARI                     |             |         | ATARI GAMES CORP.<br>675 SYCAMORE DRIVE<br>MILPITAS, CA. 95035 |
| TITLE                     |             |         |  |
| SCHEMATIC<br>DRIVER SOUND |             |         |  |
| SIZE                      | DRAWING NO. | REV.    |  |
| D                         | A044427     | A       |  |
| SCALE                     | NONE        | SHEET 7 | OF 10  |

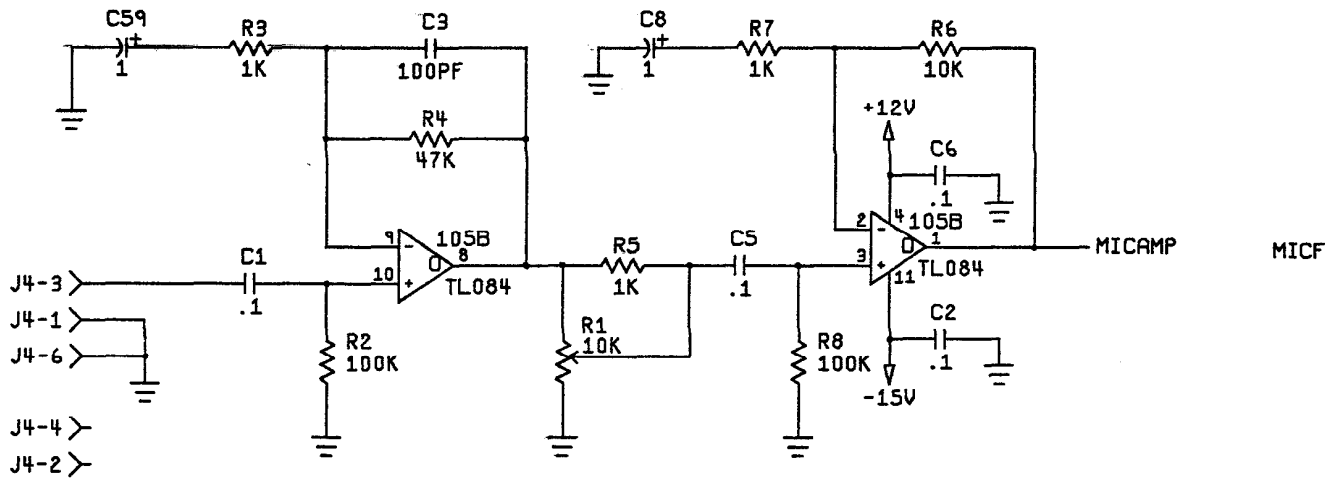
8

7

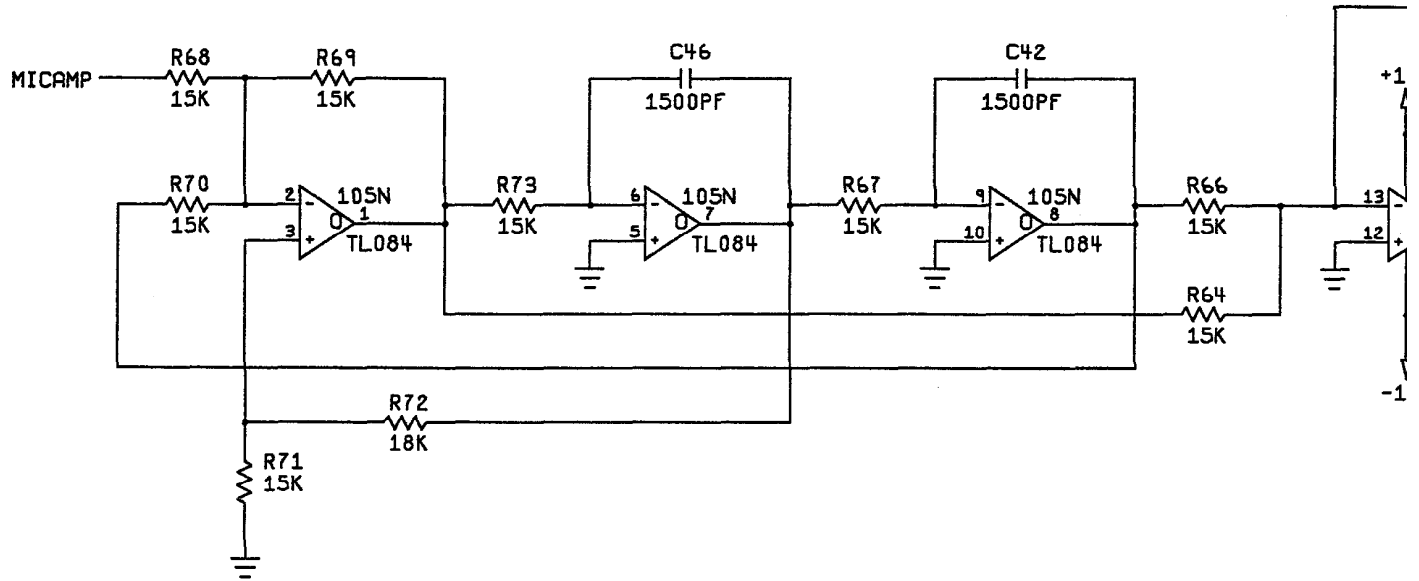
6

5

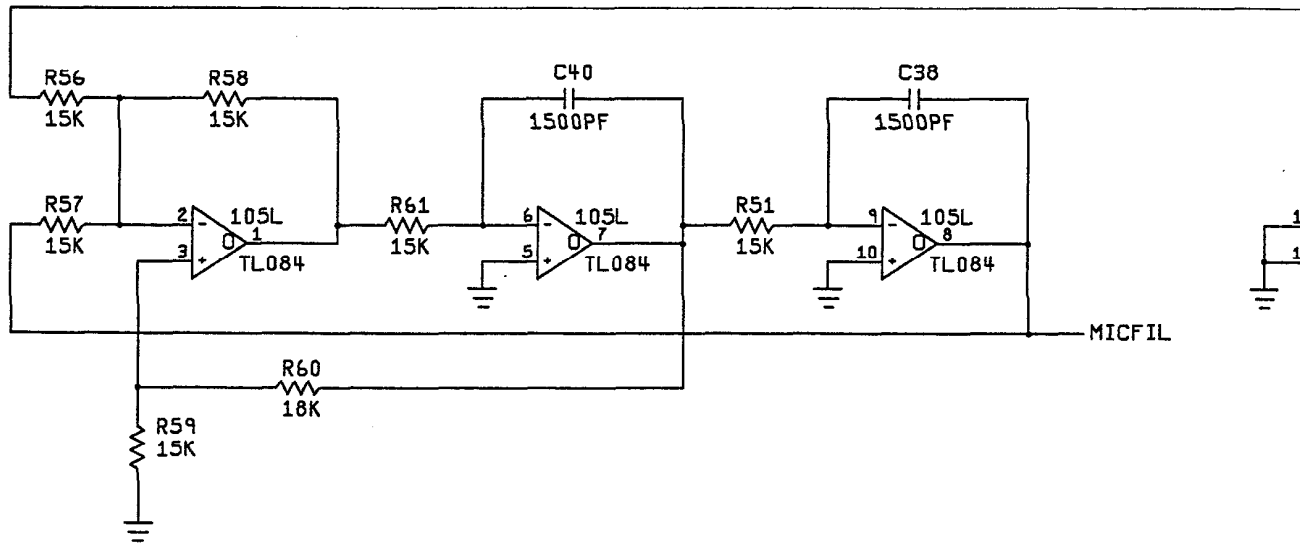
D



C



B



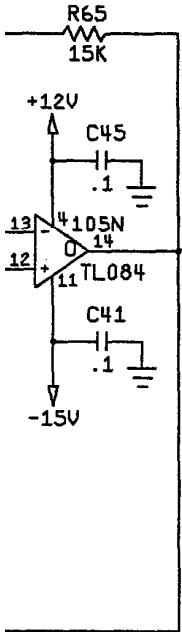
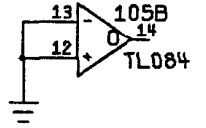
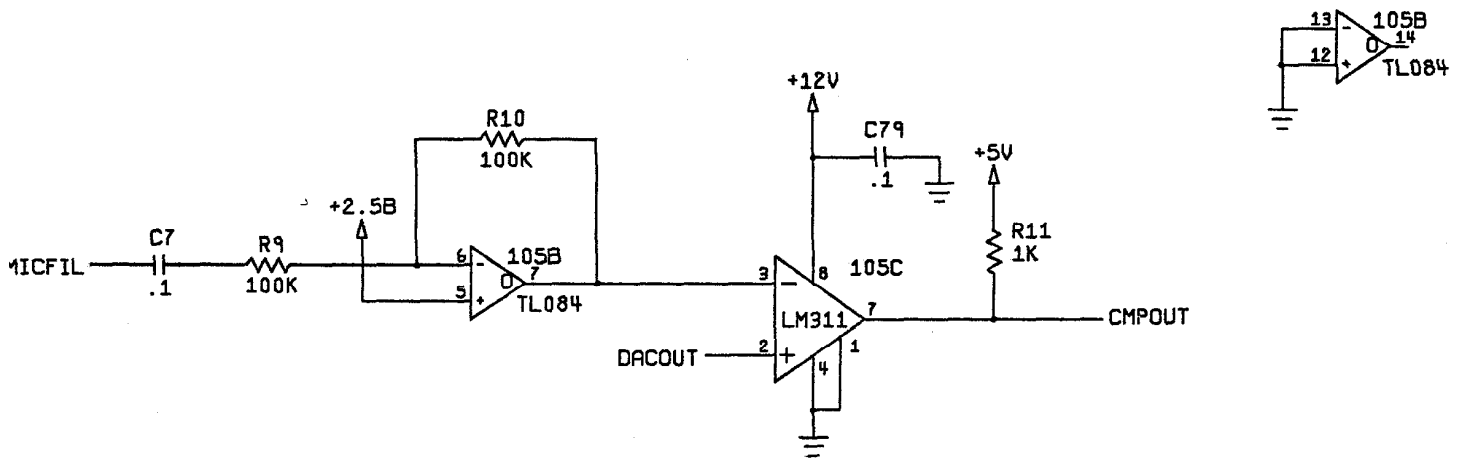
A

8

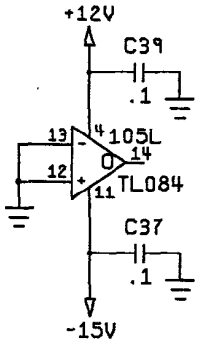
7

6

5



THIS SHEET NOT LOADED.



|                           |             |  |
|---------------------------|-------------|--|
| ATARI                     |             | ATARI GAMES CORP.<br>675 STANFORD DRIVE<br>MILPITAS, CA. 95035 |
| TITLE                     |             |  |
| SCHEMATIC<br>DRIVER SOUND |             |  |
| SIZE                      | DRAWING NO. | REV  |
| □                         | A044427     | A  |
| SCALE                     | NONE        | SHEET 8 OF 10  |



8

7

6

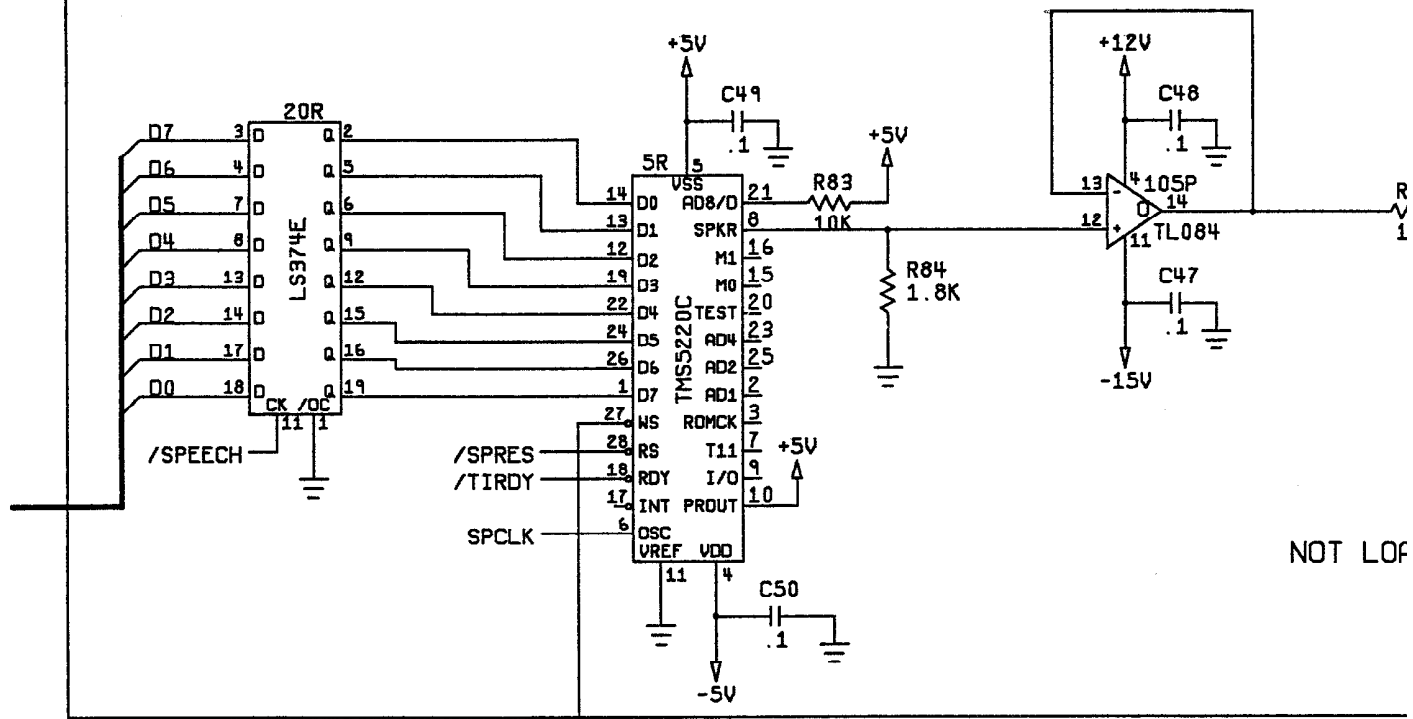
5

D

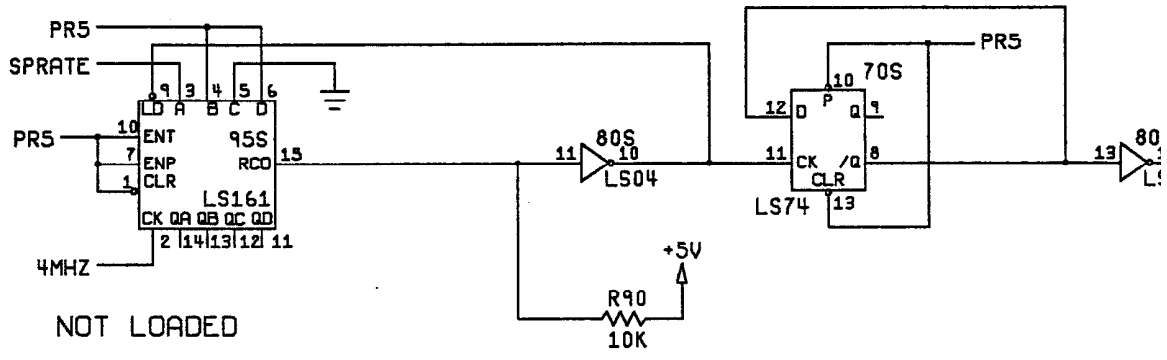
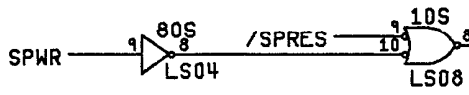
C

B

A



NOT LOF



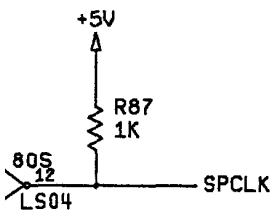
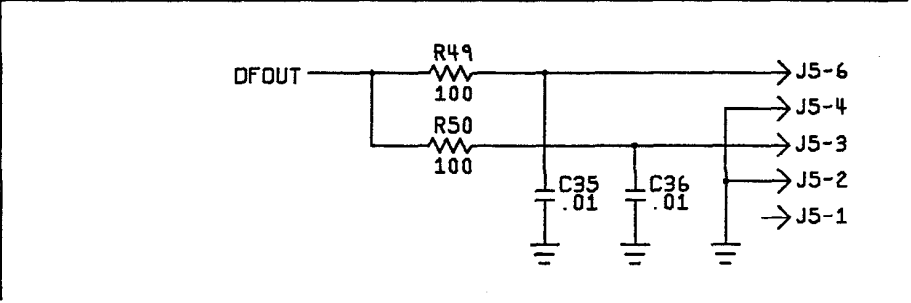
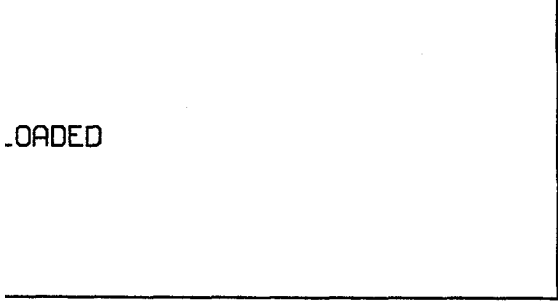
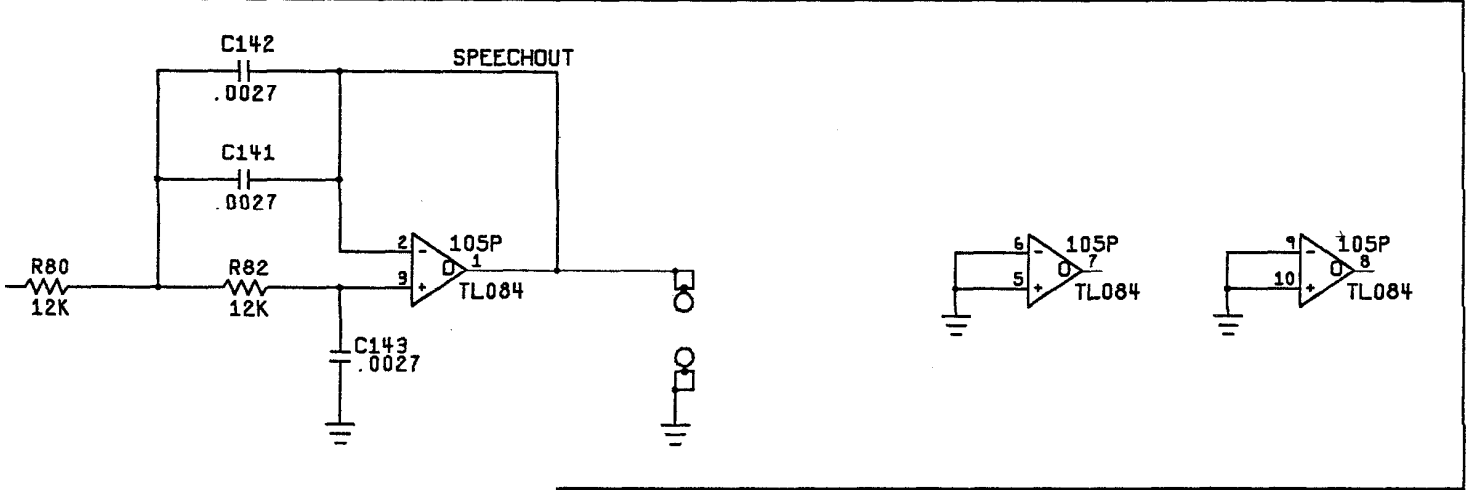
NOT LOADED

8

7

6

5



|                           |             |       |  |     |    |
|---------------------------|-------------|-------|--|-----|----|
| ATARI                     |             |       | ATARI GAMES CORP.<br>673 STORMORE DRIVE<br>MILPITAS, CA. 95035 |     |    |
| TITLE                     |             |       |  |     |    |
| SCHEMATIC<br>DRIVER SOUND |             |       |  |     |    |
| SIZE                      | DRAWING NO. |       |  | REV |    |
| D                         | A044427     |       |  | A   |    |
| SCALE                     | NONE        | SHEET | 9  | OF  | 10 |

8

7

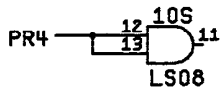
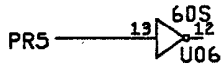
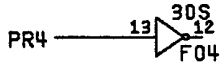
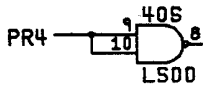
6

5

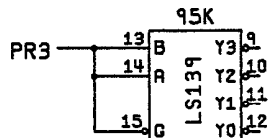
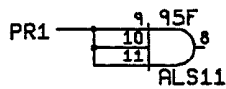
(BYPASS)

+5V

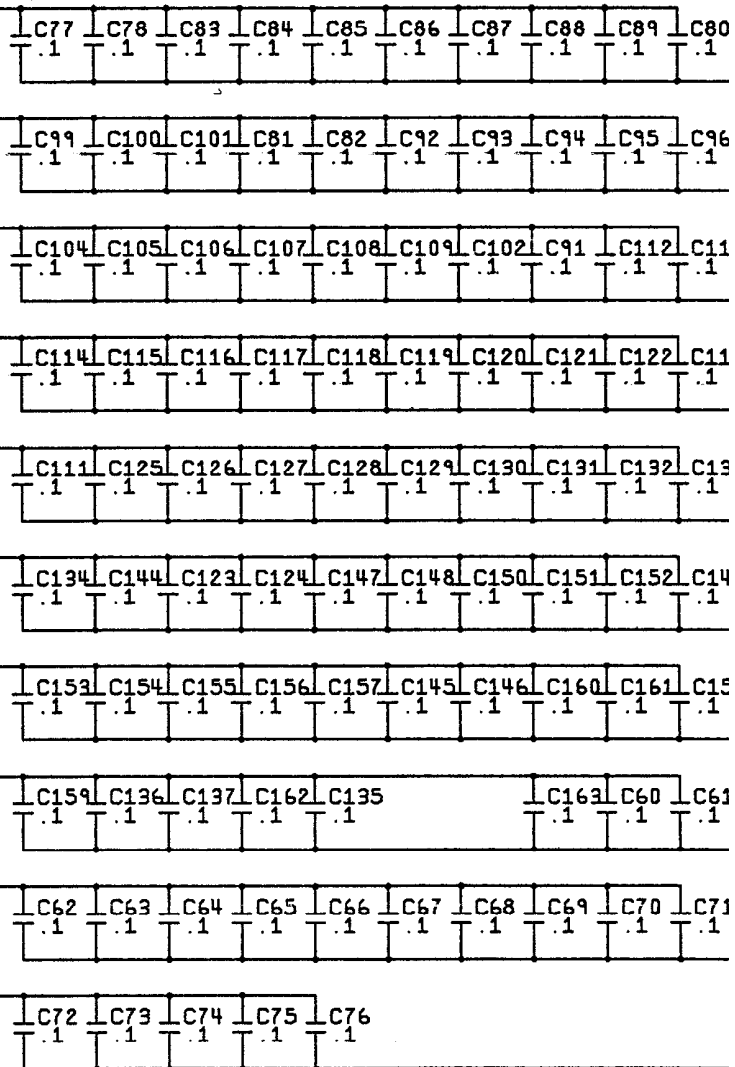
D



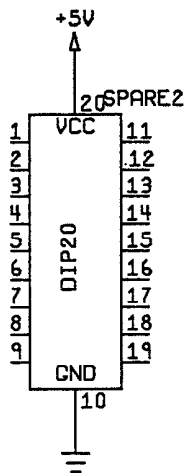
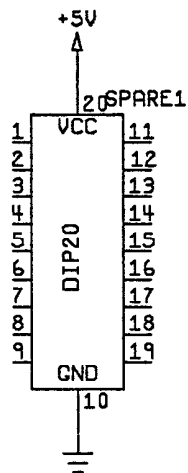
C



B



A



8

7

6

5

C80  
.1

C96  
.1

C113  
.1

C110  
.1

C139  
.1

C140  
.1

C158  
.1

C61  
.1

C71  
.1

|                           |             |  |       |
|---------------------------|-------------|--|-------|
| ATARI                     |             | ATARI GAMES CORP.<br>675 SYCAMORE DRIVE<br>MILPITAS, CA. 95035 |       |
| TITLE                     |             |  |       |
| SCHEMATIC<br>DRIVER SOUND |             |  |       |
| SIZE                      | DRAWING NO. | REV  |       |
| D                         | A044427     | A  |       |
| SCALE                     | NONE        | SHEET 10   | OF 10 |