

Table of Contents

Sheet 1A	Table of Contents
Sheet 1B	Food Fight Main Wiring Diagram—US (039908-01 A)
Sheet 2A	Food Fight Main Wiring Diagram—Ireland (039998-01 A)
Sheet 2B	Regulator/Audio II PCB Schematic Diagram (035435-01 G), Color Raster Power Supply Wiring Diagram (037669-01 E)
Sheet 3A	Coin Door Wiring Diagram (A037542-01 D), Utility Panel Wiring Diagram (A038004-01 E), Fluorescent Light Wiring Diagram (035833-01 A)
Sheet 3B	EMI Shield Schematic Diagram (037430-04 A)
Sheet 4A	Memory Map

Game PCB Schematics, Sheets 4B–10B

Sheet 4B	Food Fight Power/Ground and CPU Schematic Diagram
Sheet 5A	Food Fight Reset and Digital I/O Schematic Diagram
Sheet 5B	Food Fight Address Decoder Schematic Diagram
Sheet 6A	Food Fight Memory Schematic Diagram
Sheet 6B	Food Fight Sync Schematic Diagram
Sheet 7A	Food Fight Playfield RAM/ROM Schematic Diagram
Sheet 7B	Food Fight Motion Object RAM Schematic Diagram
Sheet 8A	Food Fight Vertical Position Schematic Diagram
Sheet 8B	Food Fight Motion Object ROM Schematic Diagram
Sheet 9A	Food Fight Line Buffers Schematic Diagram
Sheet 9B	Food Fight Color RAM Schematic Diagram
Sheet 10A	Food Fight Sound Schematic Diagram
Sheet 10B	Food Fight Analog Inputs

Display Schematics, Sheets 11A–11B

Sheet 11A	Electrohome Display Schematic Diagram (92-049)
Sheet 11B	Matsushita Display Schematic Diagram (139003-1004)



NOTE

This staple temporarily holds the schematic package together. Remove the staple before using these schematics.

Schematic Package Supplement to

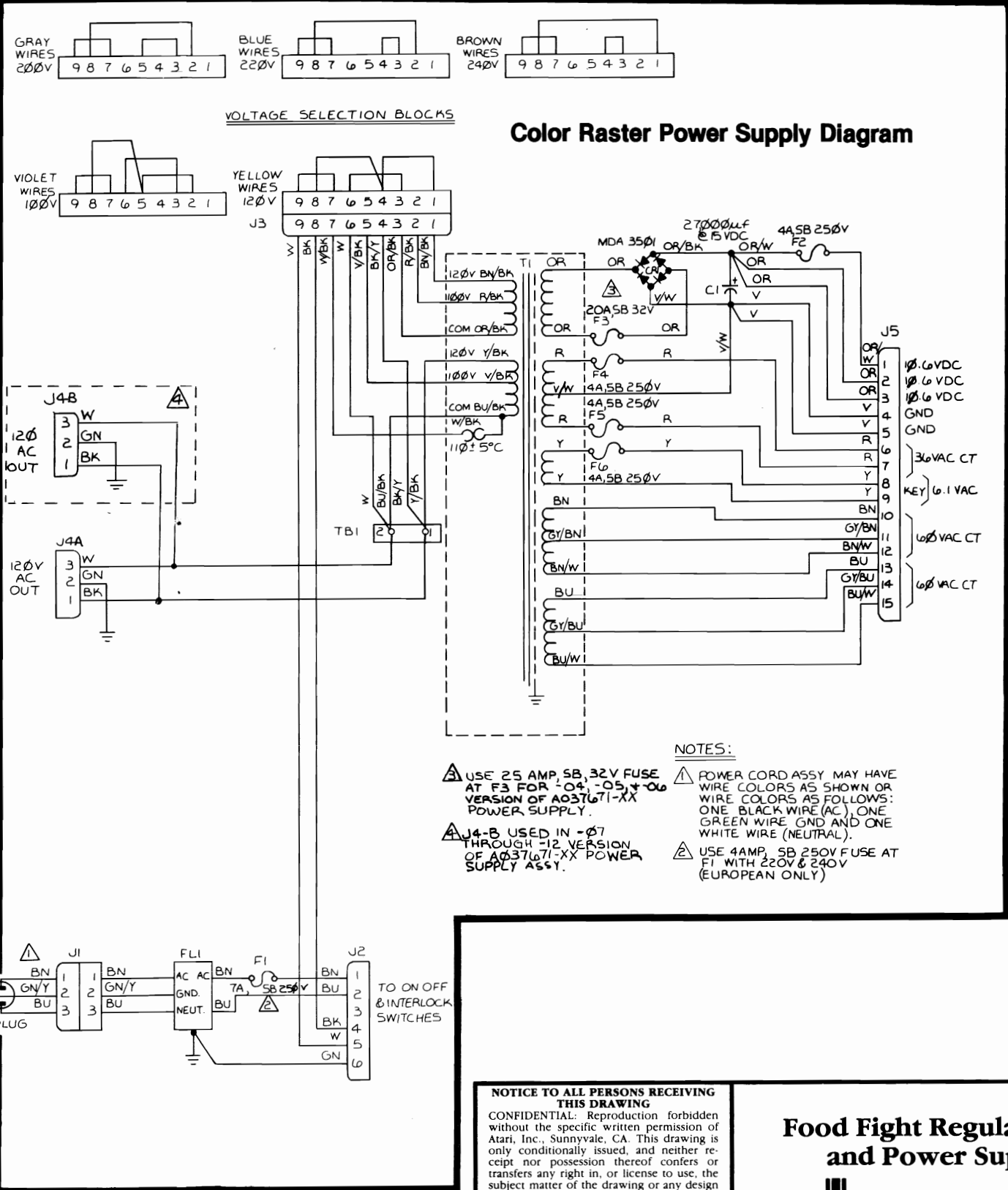
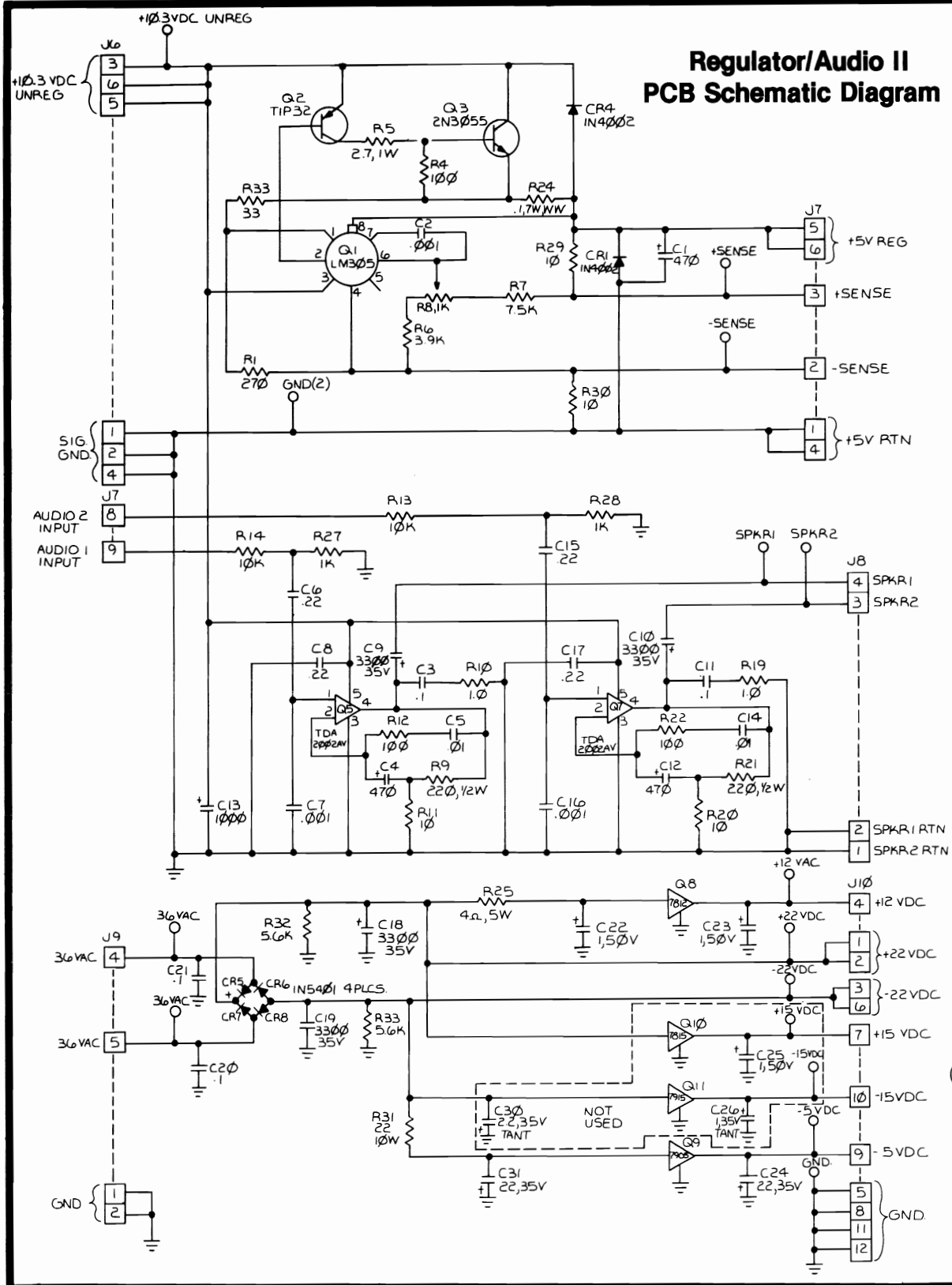
Charley Chuck's
FOOD FIGHT™

Operators Manual

2M

ATARI INC., 1983

SP-229 Sheet 1A
1st Printing



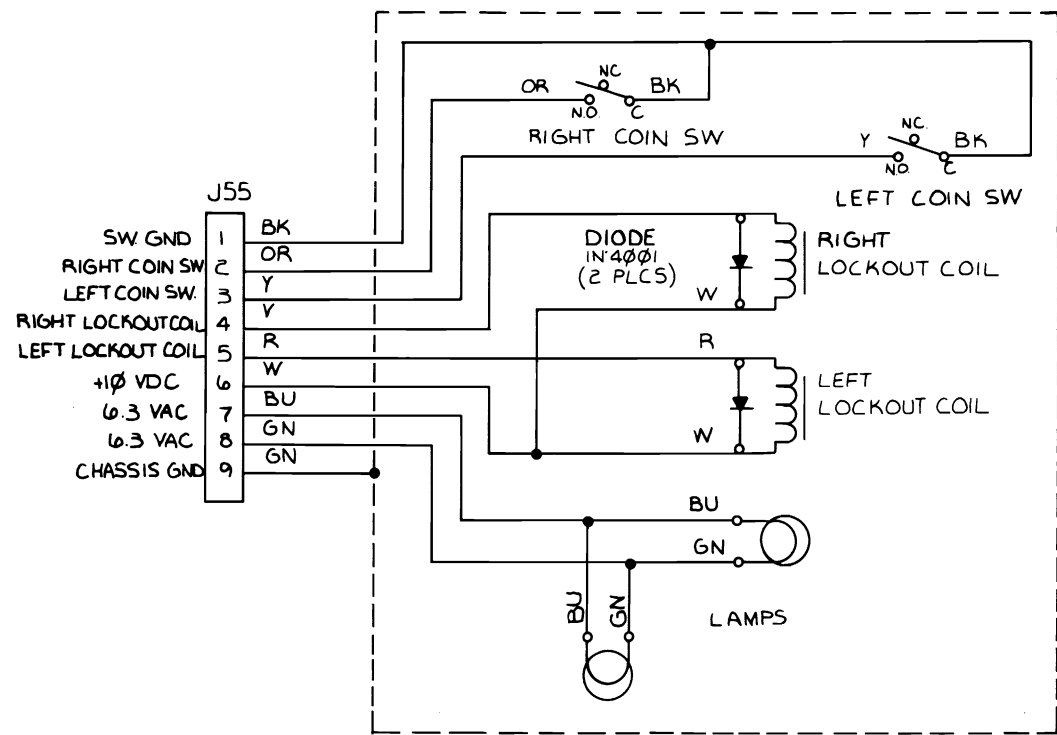
NOTICE TO ALL PERSONS RECEIVING THIS DRAWING
 CONFIDENTIAL: Reproduction forbidden without the specific written permission of Atari, Inc., Sunnyvale, CA. This drawing is only conditionally issued, and neither receipt nor possession thereof confers or transfers any right in, or license to use, the subject matter of the drawing or any design or technical information shown thereon, nor any right to reproduce this drawing or any part thereof. Except for manufacture by vendors of Atari, Inc., and for manufacture under the corporation's written license, no right is granted to reproduce this drawing or the subject matter thereof, unless by written agreement with or written permission from the corporation.

Food Fight Regulator/Audio II PCB and Power Supply Diagrams

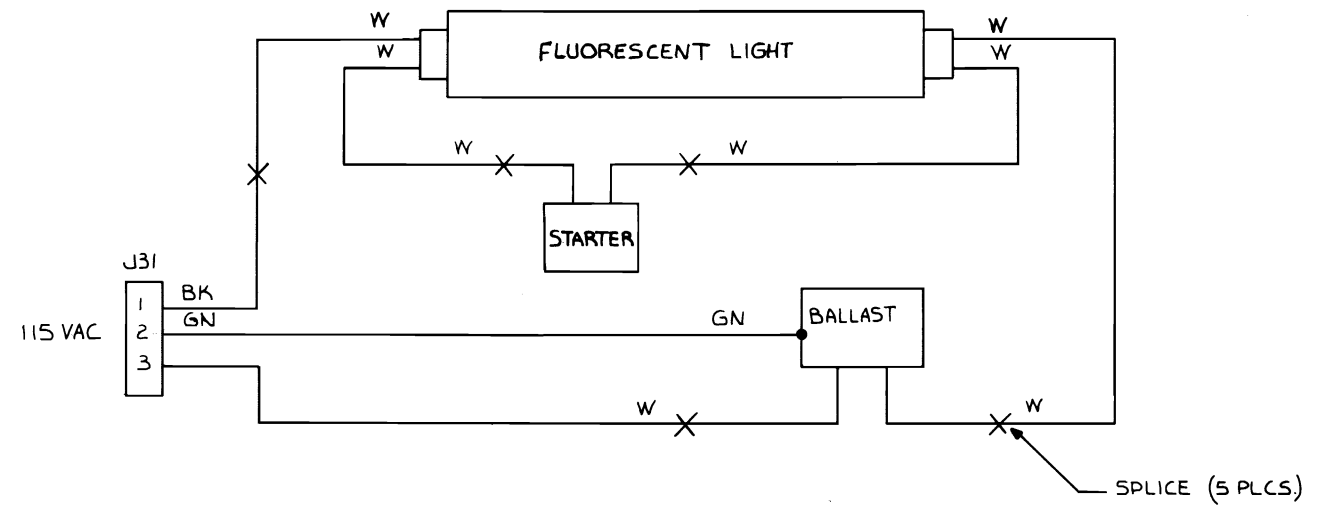
© ATARI INC. 1983

SP-229 Sheet 2B
1st Printing

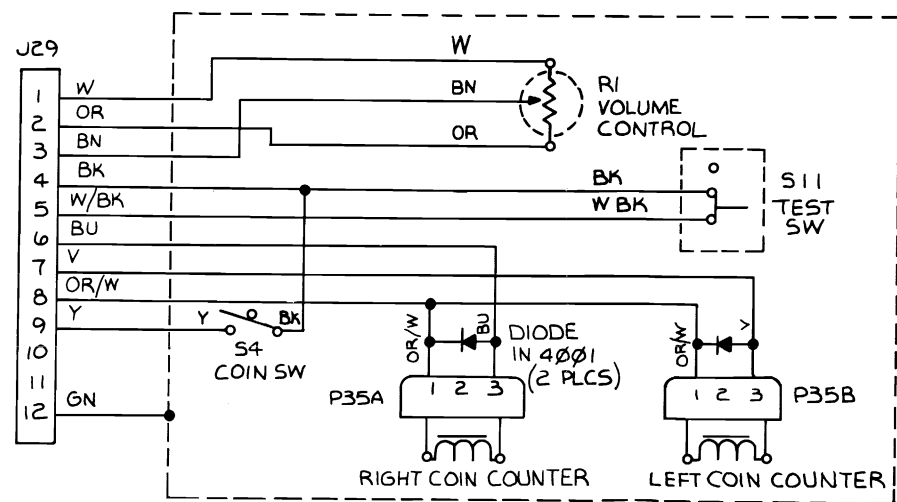
Coin-Door Wiring Diagram



Fluorescent Light Wiring Diagram



Utility Panel Wiring Diagram



NOTICE TO ALL PERSONS RECEIVING THIS DRAWING

CONFIDENTIAL: Reproduction forbidden without the specific written permission of Atari, Inc., Sunnyvale, CA. This drawing is only conditionally issued, and neither receipt nor possession thereof confers or transfers any right in, or license to use, the subject matter of the drawing or any design or technical information shown thereon, nor any right to reproduce this drawing or any part thereof. Except for manufacture by vendors of Atari, Inc., and for manufacture under the corporation's written license, no right is granted to reproduce this drawing or the subject matter thereof, unless by written agreement with or written permission from the corporation.

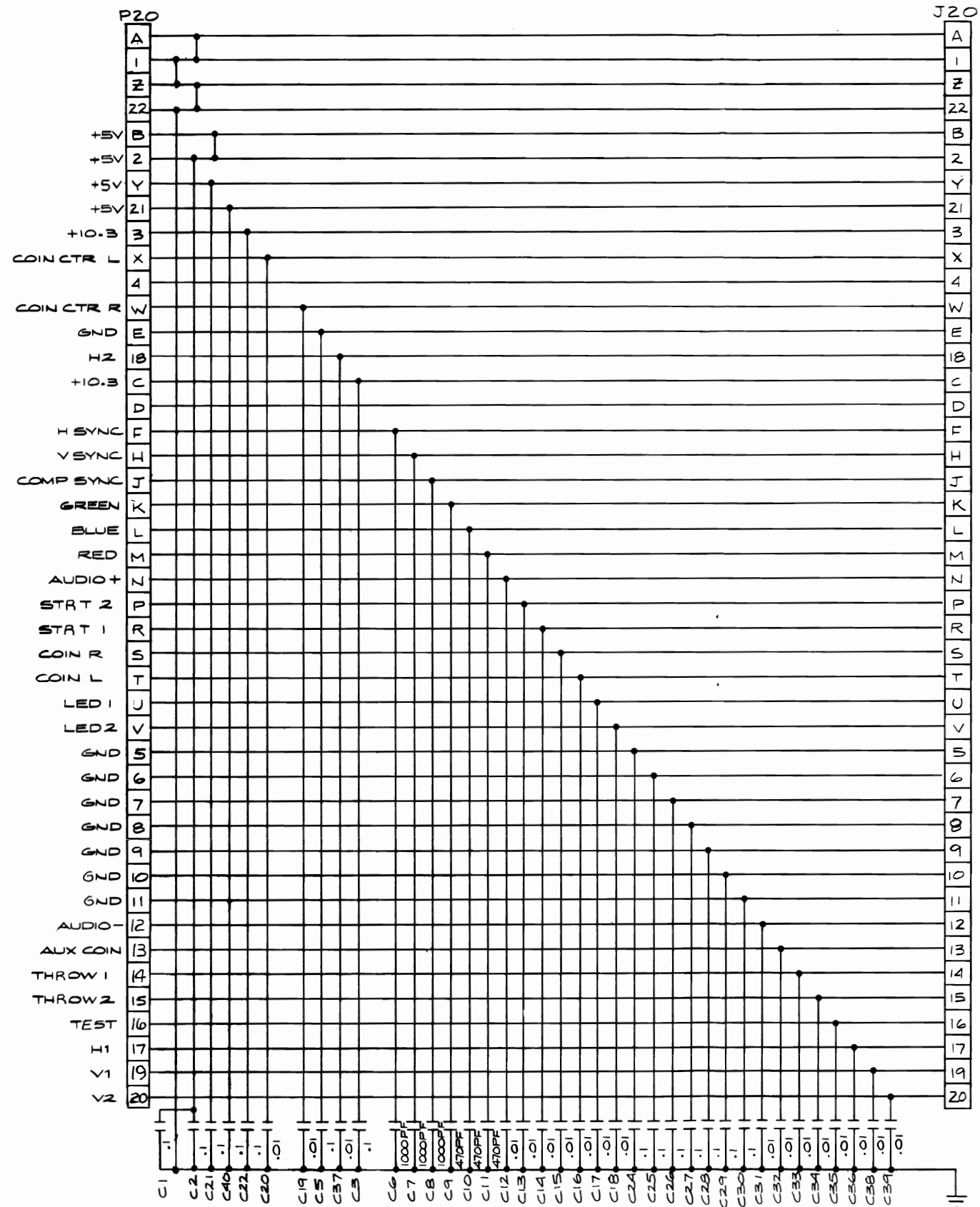
Food Fight Game Wiring Interfaces



A Warner Communications Company

© ATARI INC. 1983

SP-229 Sheet 3A
1st Printing



NOTICE TO ALL PERSONS RECEIVING THIS DRAWING
 CONFIDENTIAL: Reproduction forbidden without the specific written permission of Atari, Inc., Sunnyvale, CA. This drawing is only conditionally issued, and neither receipt nor possession thereof confers or transfers any right in, or license to use, the subject matter of the drawing or any design or technical information shown thereon, nor any right to reproduce this drawing or any part thereof. Except for manufacture by vendors of Atari, Inc., and for manufacture under the corporation's written license, no right is granted to reproduce this drawing or the subject matter thereof, unless by written agreement with or written permission from the corporation.

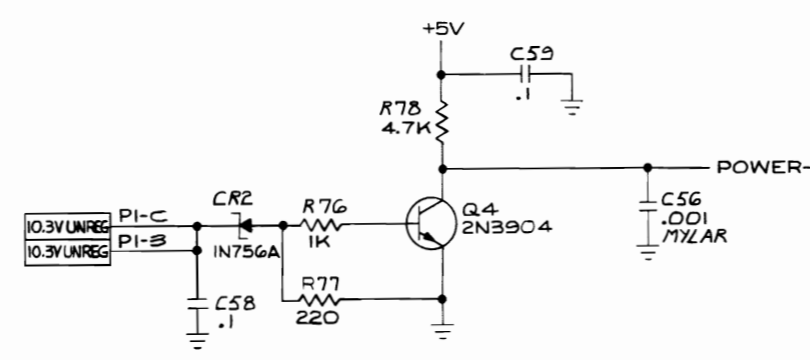
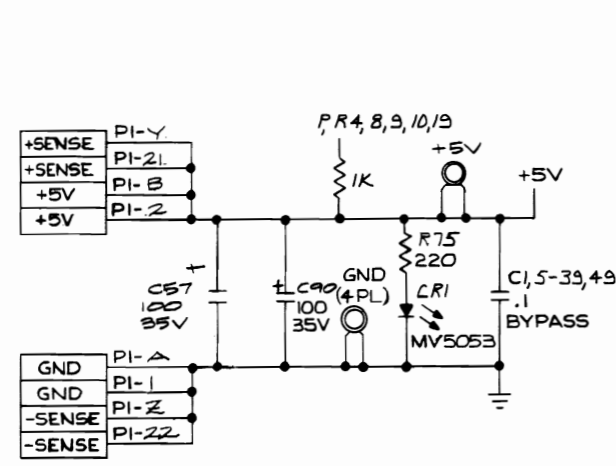
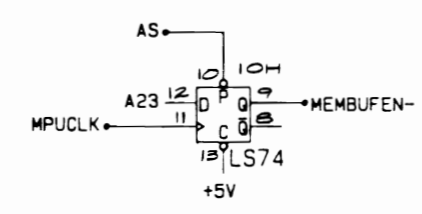
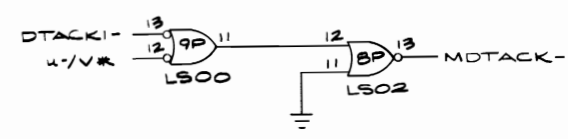
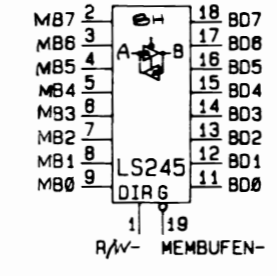
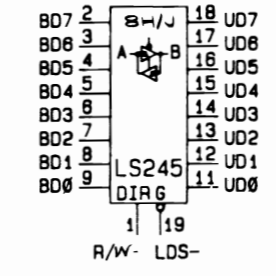
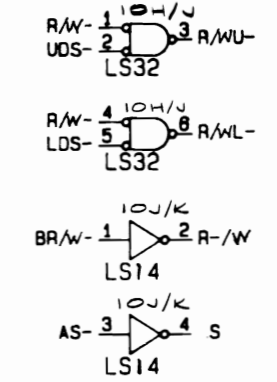
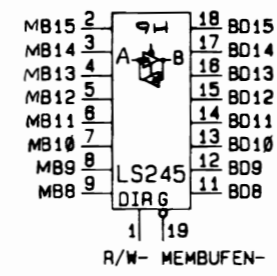
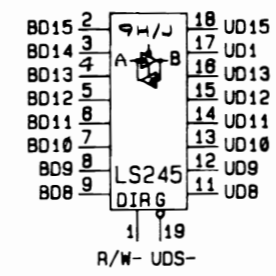
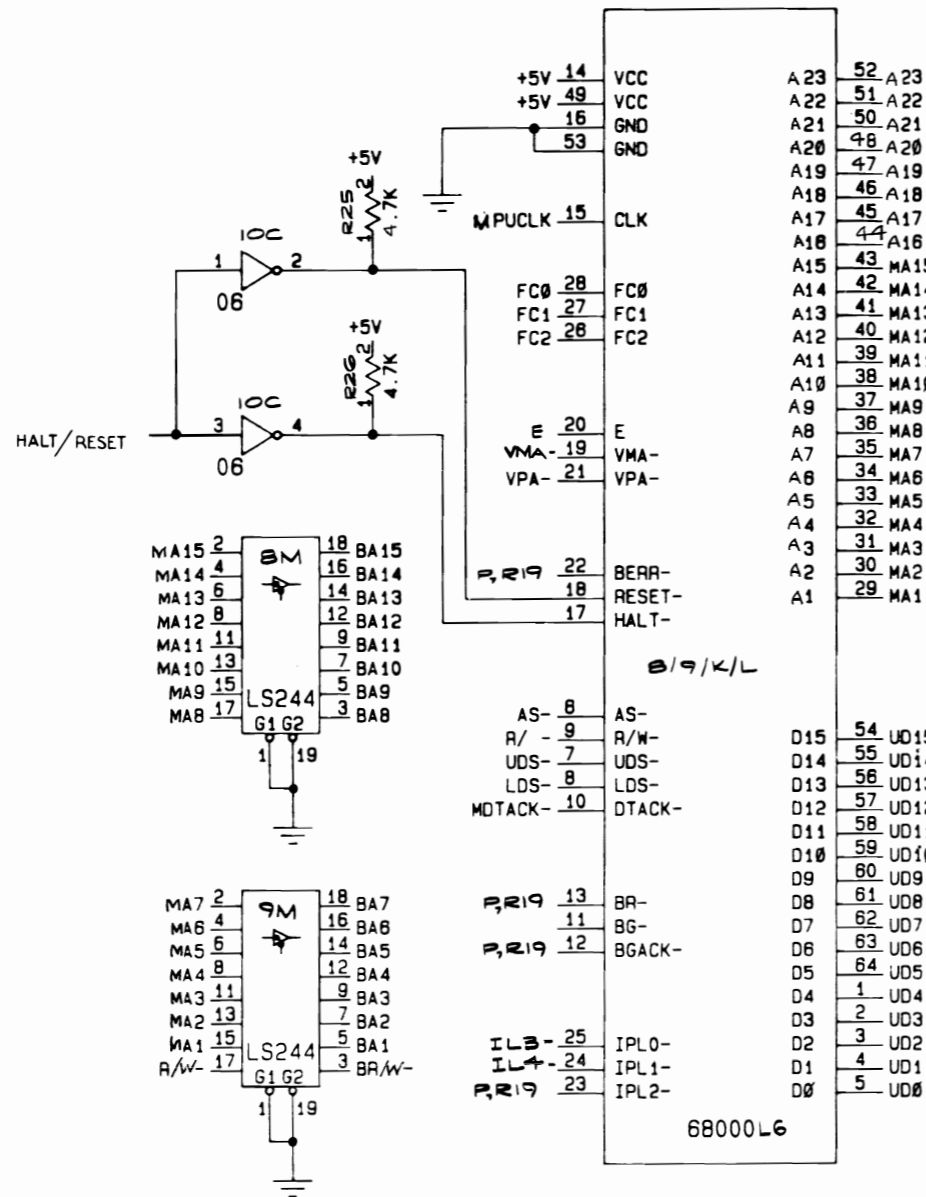
EMI Shield Schematic Diagram



A Warner Communications Company

© ATARI INC. 1983

SP-229 Sheet 3B
 1st Printing



NOTICE TO ALL PERSONS RECEIVING THIS DRAWING
 CONFIDENTIAL: Reproduction forbidden without the specific written permission of Atari, Inc., Sunnyvale, CA. This drawing is only conditionally issued, and neither receipt nor possession thereof confers or transfers any right in, or license to use, the subject matter of the drawing or any design or technical information shown thereon, nor any right to reproduce this drawing or any part thereof. Except for manufacture by vendors of Atari, Inc., and for manufacture under the corporation's written license, no right is granted to reproduce this drawing or the subject matter thereof, unless by written agreement with or written permission from the corporation.

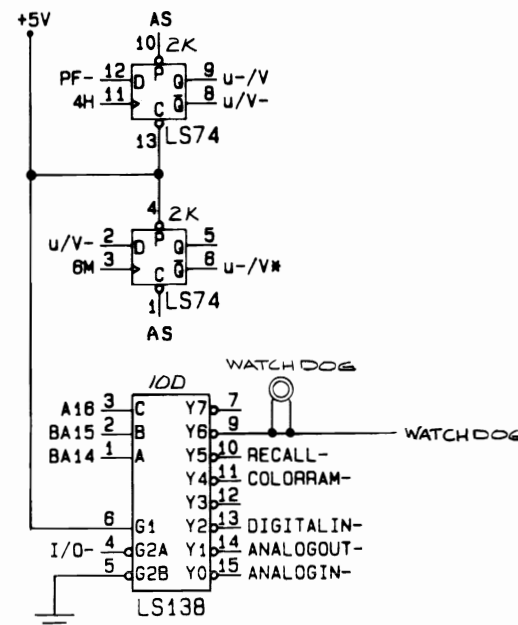
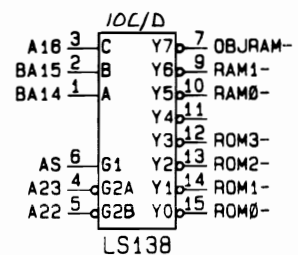
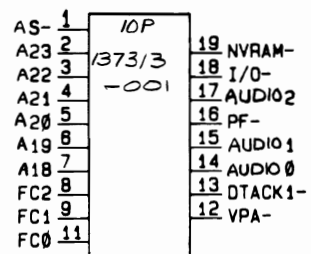
Food Fight Power/Ground and CPU Schematic Diagram

ATARI

© ATARI INC. 1983

SP-229 Sheet 4B
1st Printing

A Warner Communications Company



NOTICE TO ALL PERSONS RECEIVING THIS DRAWING
 CONFIDENTIAL: Reproduction forbidden without the specific written permission of Atari, Inc., Sunnyvale, CA. This drawing is only conditionally issued, and neither receipt nor possession thereof confers or transfers any right in, or license to use, the subject matter of the drawing or any design or technical information shown thereon, nor any right to reproduce this drawing or any part thereof. Except for manufacture by vendors of Atari, Inc., and for manufacture under the corporation's written license, no right is granted to reproduce this drawing or the subject matter thereof, unless by written agreement with or written permission from the corporation.

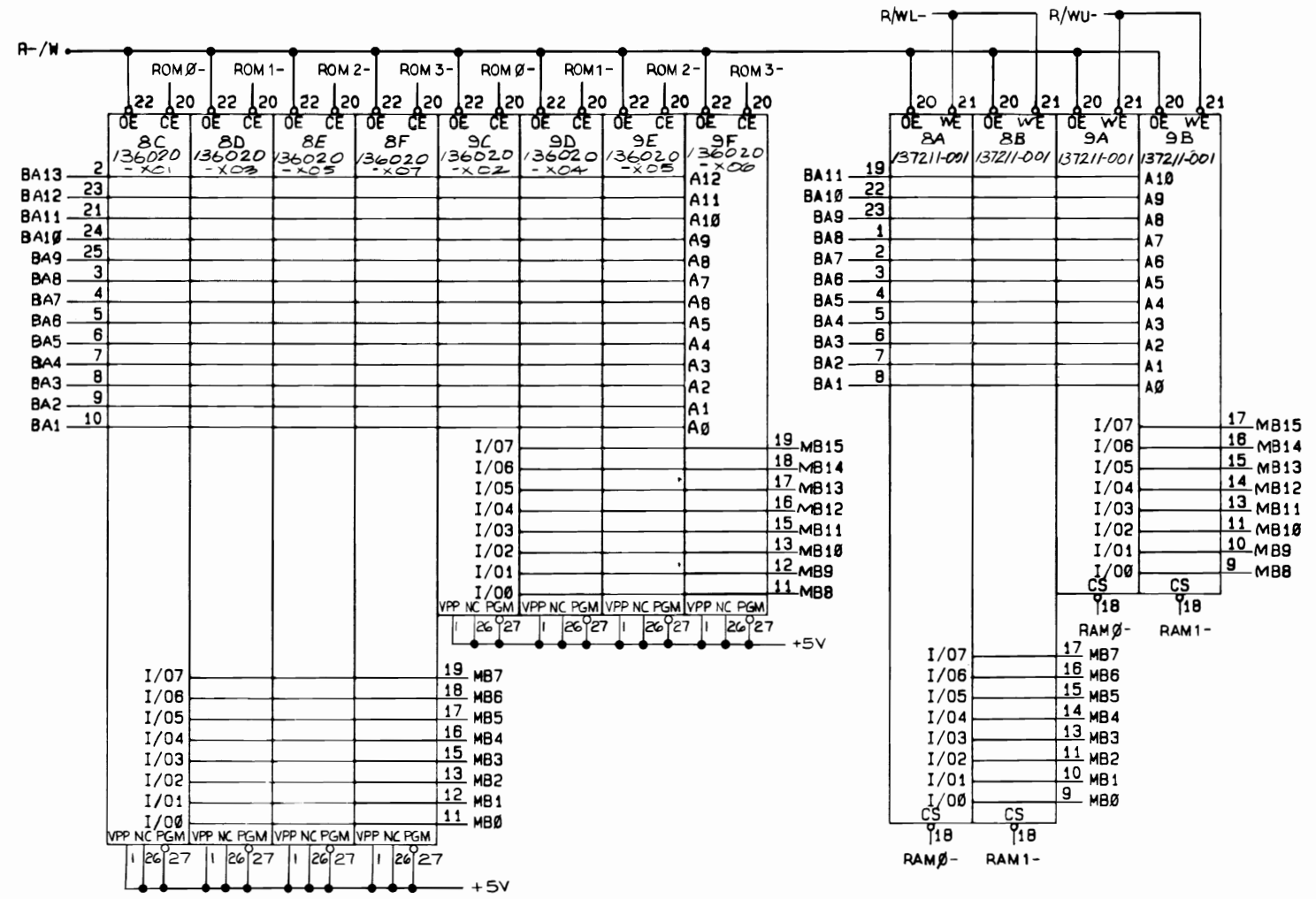
Food Fight Address Decoder Schematic Diagram


 ATARI®

© ATARI INC. 1983

SP-229 Sheet 5B
1st Printing

A Warner Communications Company



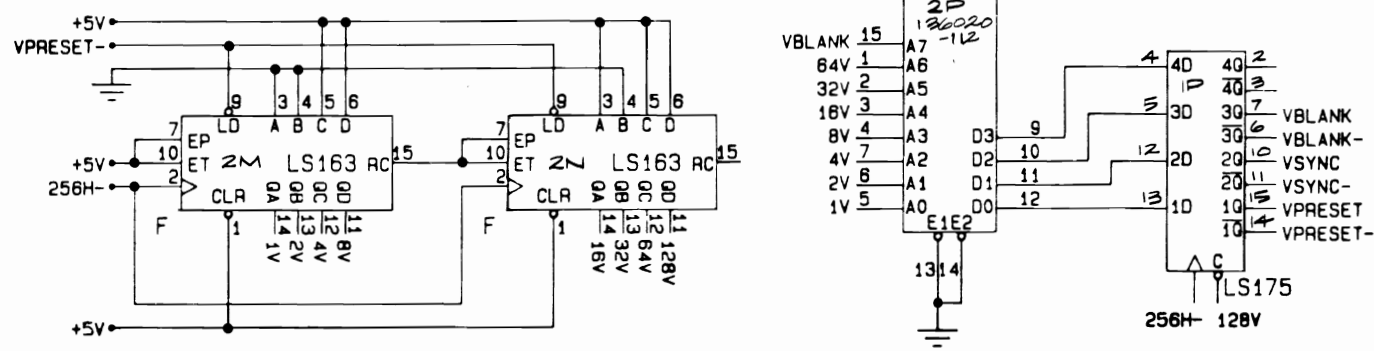
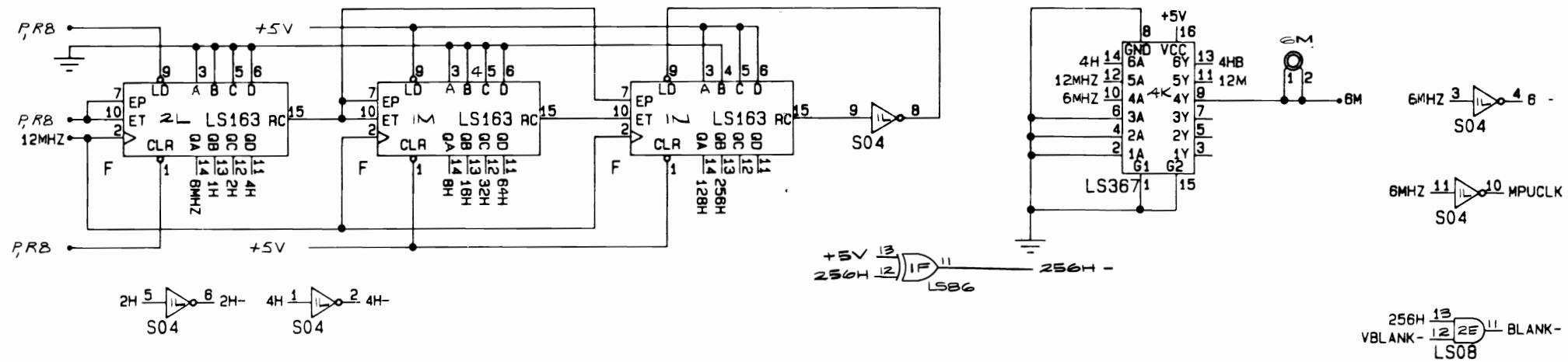
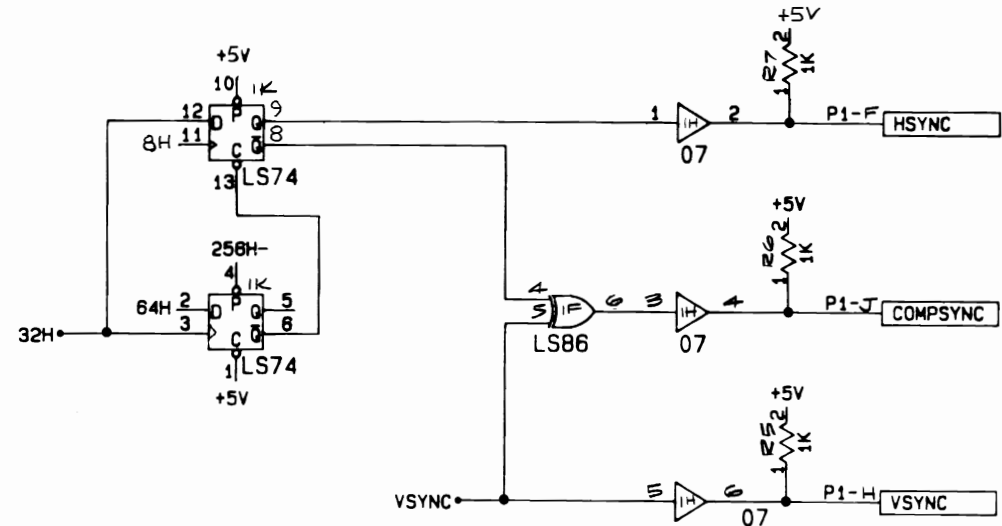
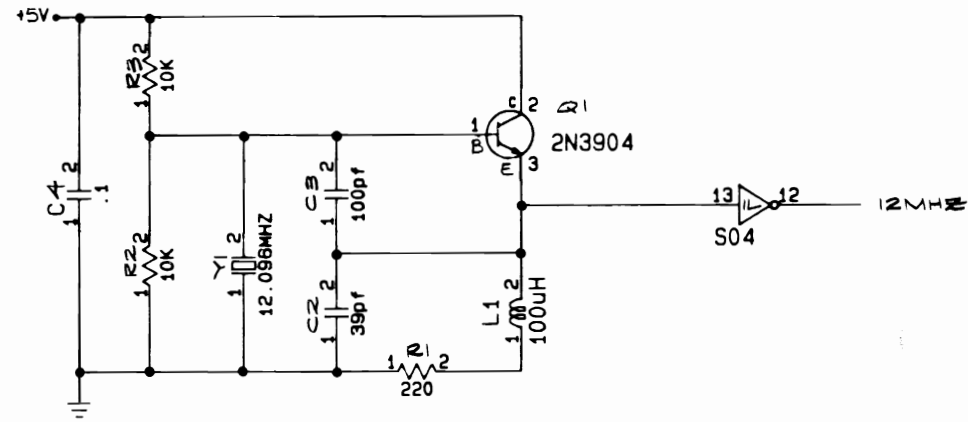
NOTICE TO ALL PERSONS RECEIVING THIS DRAWING
 CONFIDENTIAL: Reproduction forbidden without the specific written permission of Atari, Inc., Sunnyvale, CA. This drawing is only conditionally issued, and neither receipt nor possession thereof confers or transfers any right in, or license to use, the subject matter of the drawing or any design or technical information shown thereon, nor any right to reproduce this drawing or any part thereof. Except for manufacture by vendors of Atari, Inc., and for manufacture under the corporation's written license, no right is granted to reproduce this drawing or the subject matter thereof, unless by written agreement with or written permission from the corporation.

Food Fight Memory Schematic Diagram


ATARI[®]

© ATARI INC. 1983
 A Warner Communications Company

SP-229 Sheet 6A
1st Printing



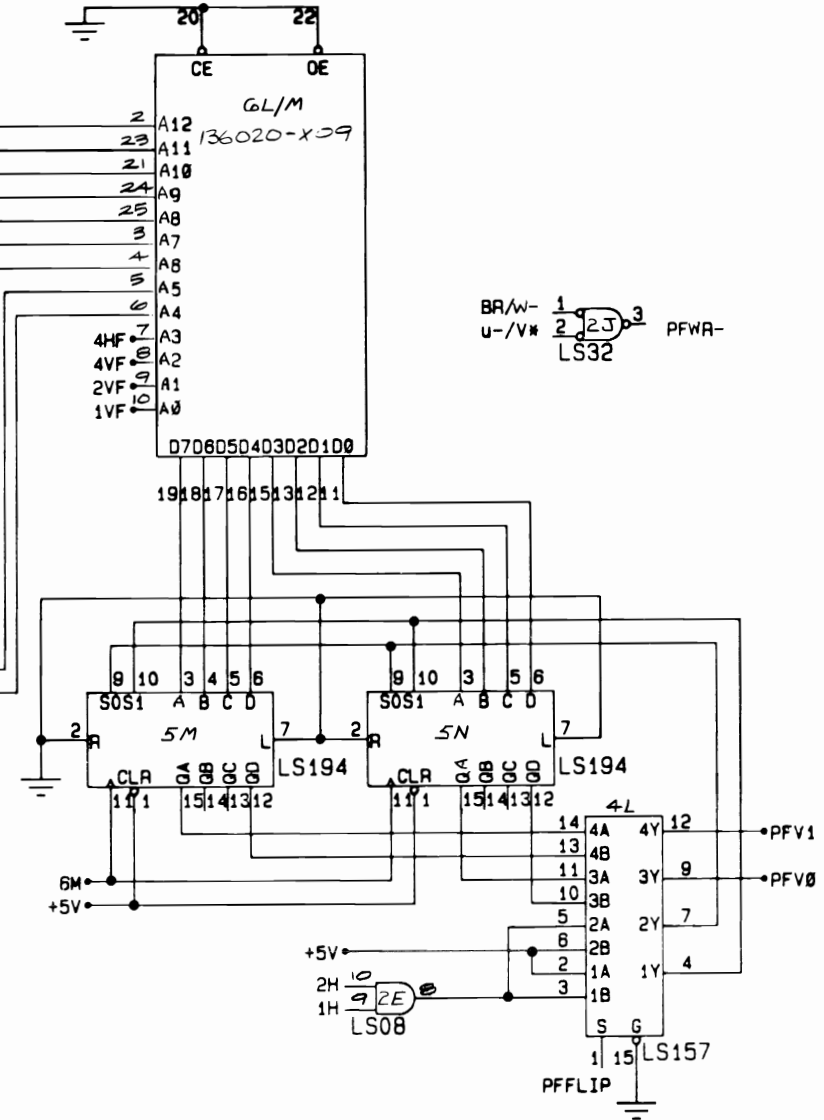
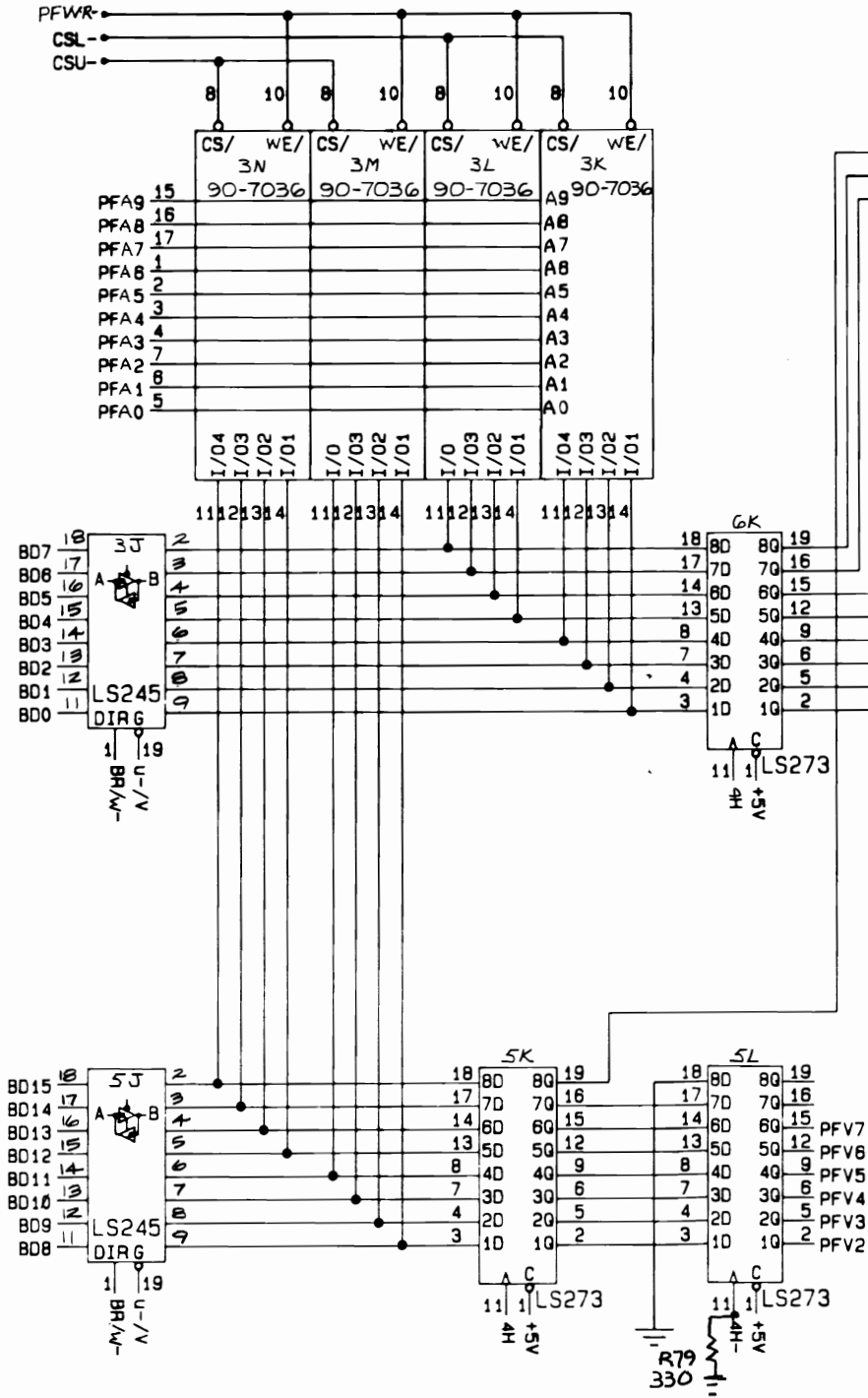
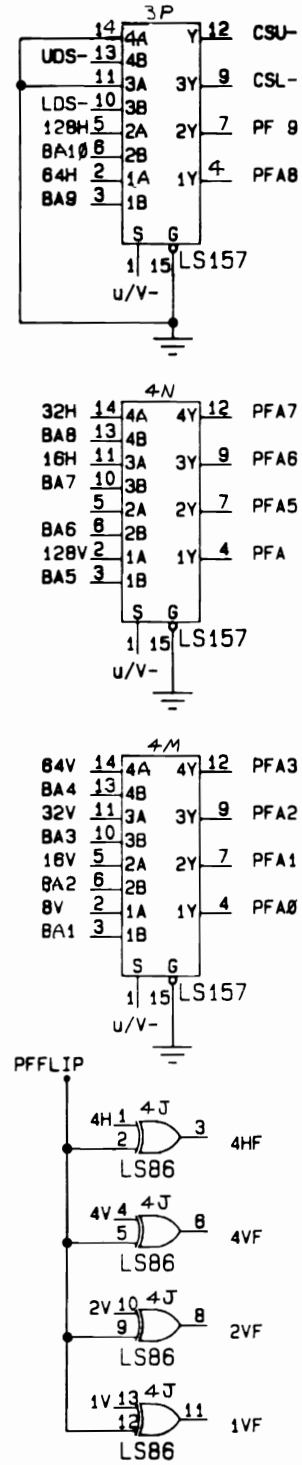
NOTICE TO ALL PERSONS RECEIVING THIS DRAWING
 CONFIDENTIAL: Reproduction forbidden without the specific written permission of Atari, Inc., Sunnyvale, CA. This drawing is only conditionally issued, and neither receipt nor possession thereof confers or transfers any right in, or license to use, the subject matter of the drawing or any design or technical information shown thereon, nor any right to reproduce this drawing or any part thereof. Except for manufacture by vendors of Atari, Inc., and for manufacture under the corporation's written license, no right is granted to reproduce this drawing or the subject matter thereof, unless by written agreement with or written permission from the corporation.

Food Fight Sync Schematic Diagram


ATARI[®]

© ATARI INC. 1983
 SP-229 Sheet 6B
 1st Printing

A Warner Communications Company



NOTICE TO ALL PERSONS RECEIVING THIS DRAWING
 CONFIDENTIAL: Reproduction forbidden without the specific written permission of Atari, Inc., Sunnyvale, CA. This drawing is only conditionally issued, and neither receipt nor possession thereof confers or transfers any right in, or license to use, the subject matter of the drawing or any design or technical information shown thereon, nor any right to reproduce this drawing or any part thereof. Except for manufacture by vendors of Atari, Inc., and for manufacture under the corporation's written license, no right is granted to reproduce this drawing or the subject matter thereof, unless by written agreement with or written permission from the corporation.

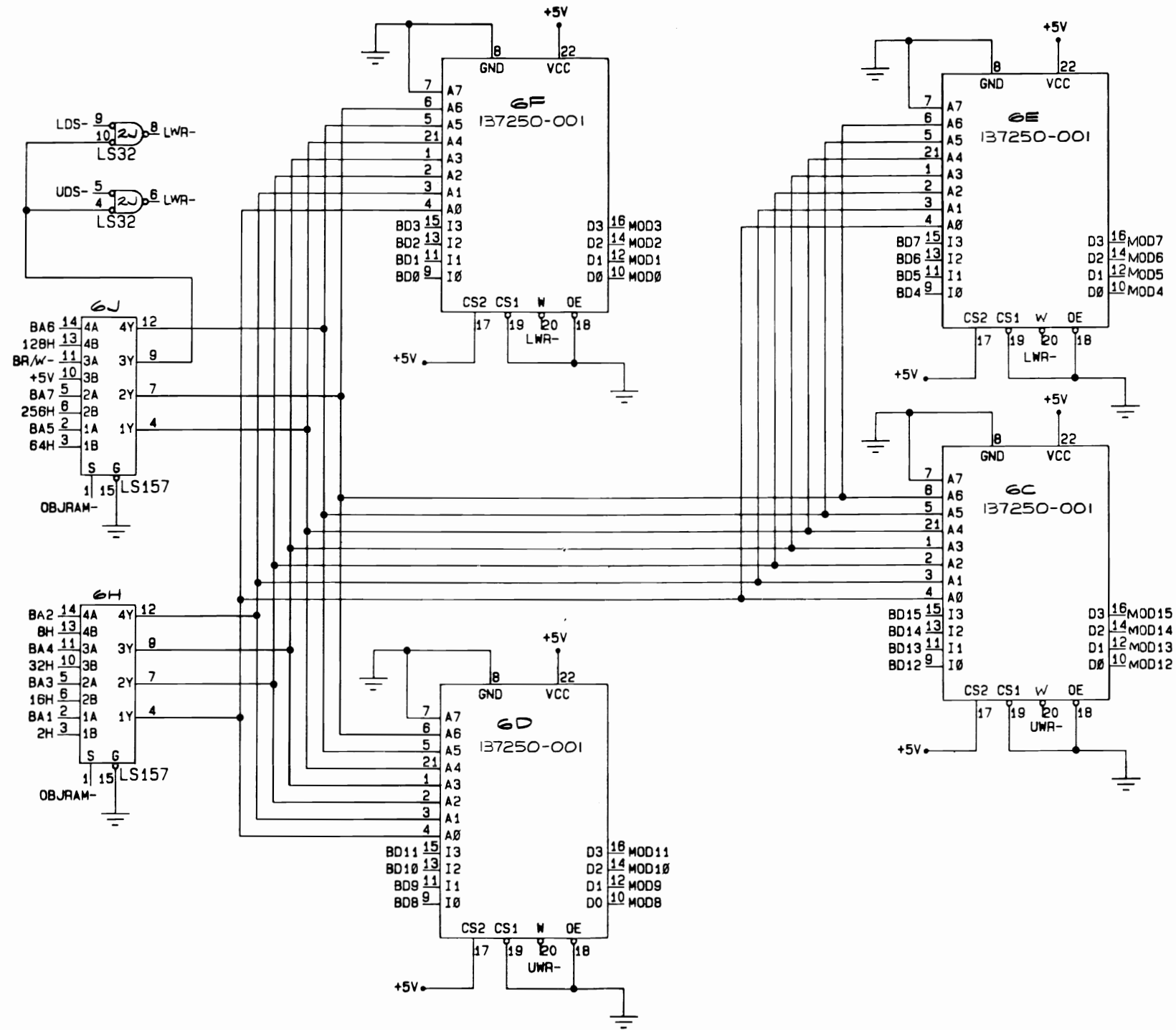
Food Fight Playfield RAM/ROM Schematic Diagram



A Warner Communications Company

© ATARI INC. 1983

SP-229 Sheet 7A
 1st Printing



NOTICE TO ALL PERSONS RECEIVING THIS DRAWING
 CONFIDENTIAL: Reproduction forbidden without the specific written permission of Atari, Inc., Sunnyvale, CA. This drawing is only conditionally issued, and neither receipt nor possession thereof confers or transfers any right in, or license to use, the subject matter of the drawing or any design or technical information shown thereon, nor any right to reproduce this drawing or any part thereof. Except for manufacture by vendors of Atari, Inc., and for manufacture under the corporation's written license, no right is granted to reproduce this drawing or the subject matter thereof, unless by written agreement with or written permission from the corporation.

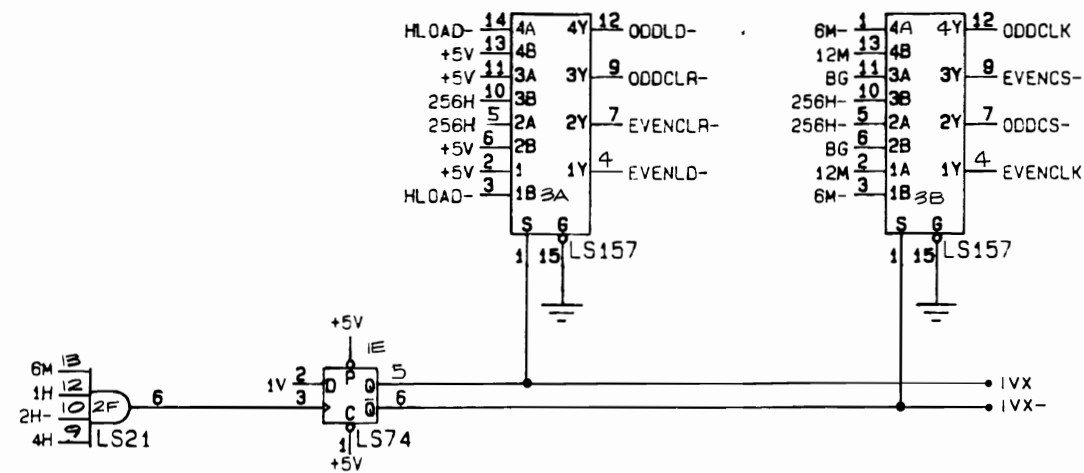
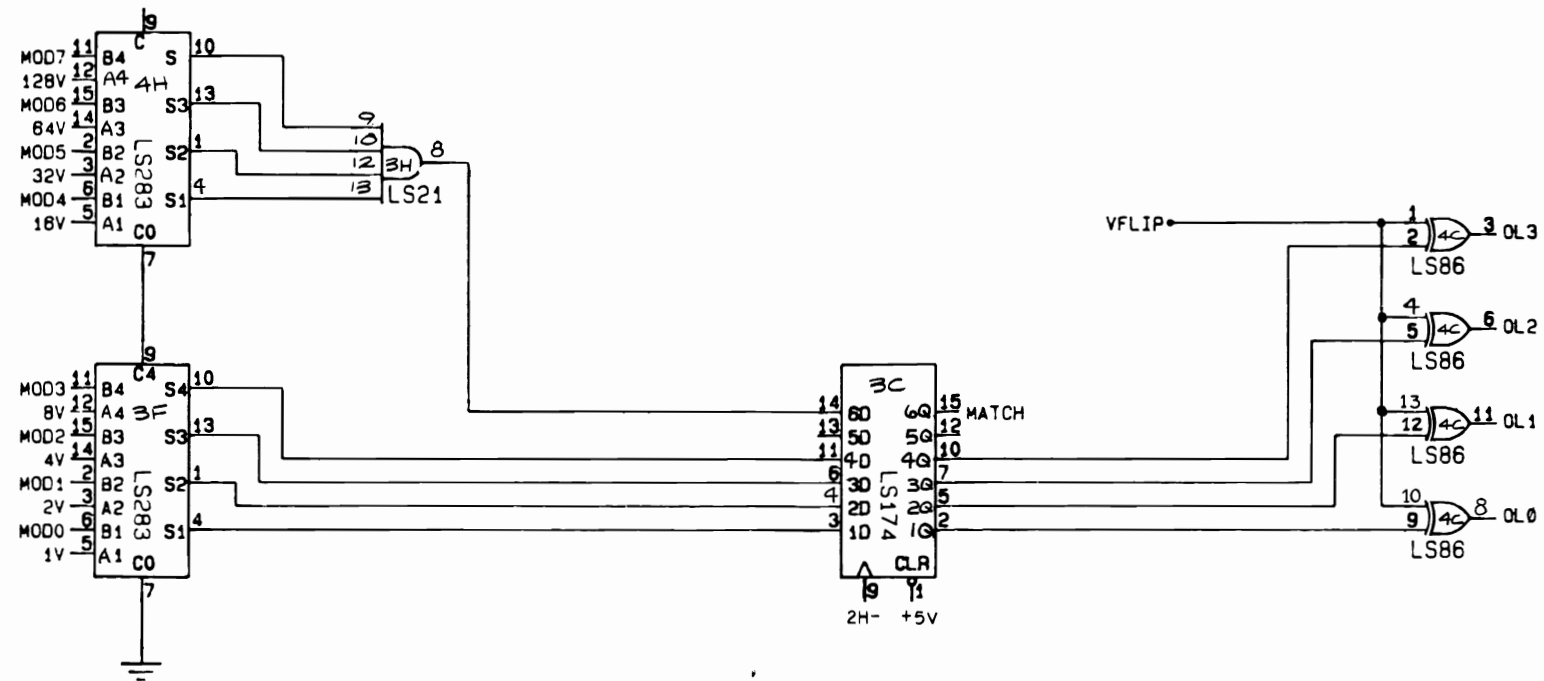
Food Fight Motion Object RAM Schematic Diagram



© ATARI INC. 1983


SP-229 Sheet 7B
 1st Printing

A Warner Communications Company



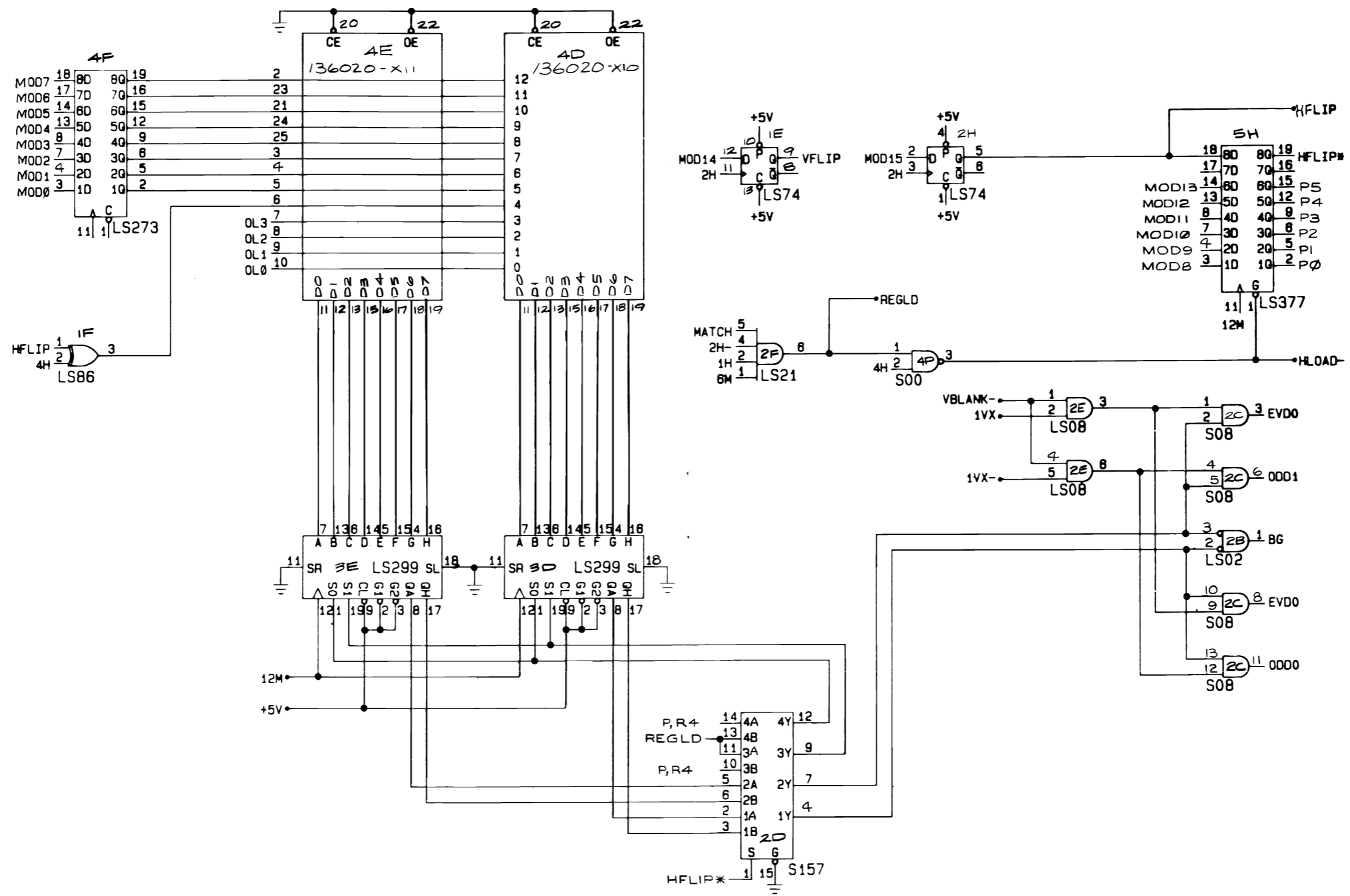
NOTICE TO ALL PERSONS RECEIVING THIS DRAWING
 CONFIDENTIAL: Reproduction forbidden without the specific written permission of Atari, Inc., Sunnyvale, CA. This drawing is only conditionally issued, and neither receipt nor possession thereof confers or transfers any right in, or license to use, the subject matter of the drawing or any design or technical information shown thereon, nor any right to reproduce this drawing or any part thereof. Except for manufacture by vendors of Atari, Inc., and for manufacture under the corporation's written license, no right is granted to reproduce this drawing or the subject matter thereof, unless by written agreement with or written permission from the corporation.

Food Fight Vertical Position Schematic Diagram


ATARI[®]

SP-229 Sheet 8A
 1st Printing

© ATARI INC. 1983
A Warner Communications Company

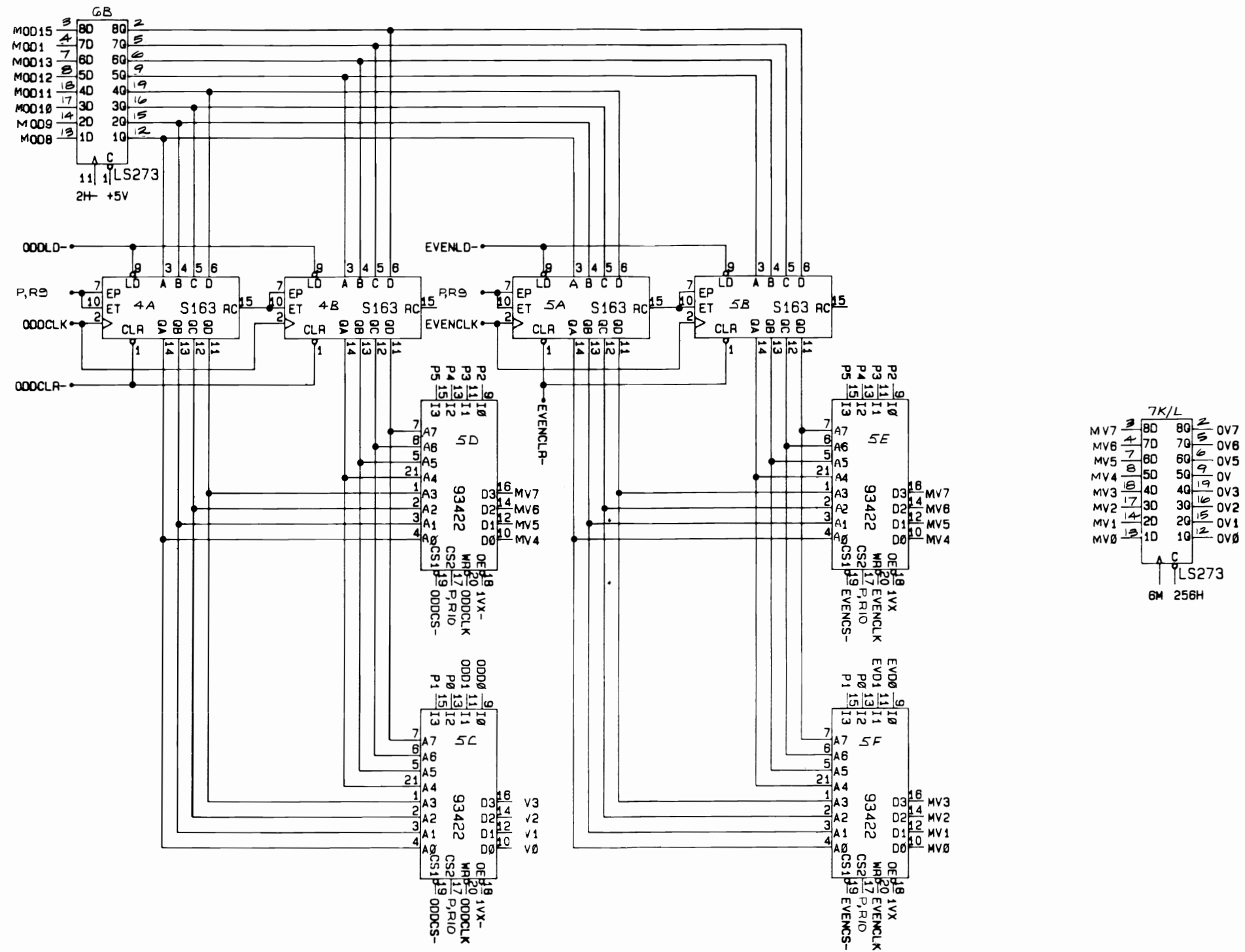


NOTICE TO ALL PERSONS RECEIVING THIS DRAWING
 CONFIDENTIAL: Reproduction forbidden without the specific written permission of Atari, Inc., Sunnyvale, CA. This drawing is only conditionally issued, and neither receipt nor possession thereof confers or transfers any right in, or license to use, the subject matter of the drawing or any design or technical information shown thereon, nor any right to reproduce this drawing or any part thereof. Except for manufacture by vendors of Atari, Inc., and for manufacture under the corporation's written license, no right is granted to reproduce this drawing or the subject matter thereof, unless by written agreement with or written permission from the corporation.

Food Fight Motion-Object ROM Schematic Diagram

ATARI
 A Warner Communications Company

© ATARI INC. 1983
 SP-229 Sheet 8B
 1st Printing



NOTICE TO ALL PERSONS RECEIVING THIS DRAWING
 CONFIDENTIAL: Reproduction forbidden without the specific written permission of Atari, Inc., Sunnyvale, CA. This drawing is only conditionally issued, and neither receipt nor possession thereof confers or transfers any right in, or license to use, the subject matter of the drawing or any design or technical information shown thereon, nor any right to reproduce this drawing or any part thereof. Except for manufacture by vendors of Atari, Inc., and for manufacture under the corporation's written license, no right is granted to reproduce this drawing or the subject matter thereof, unless by written agreement with or written permission from the corporation.

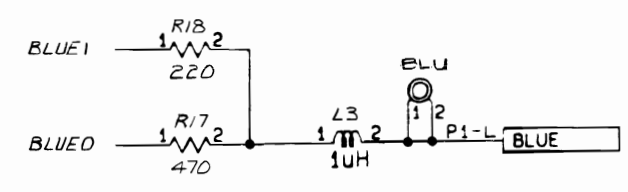
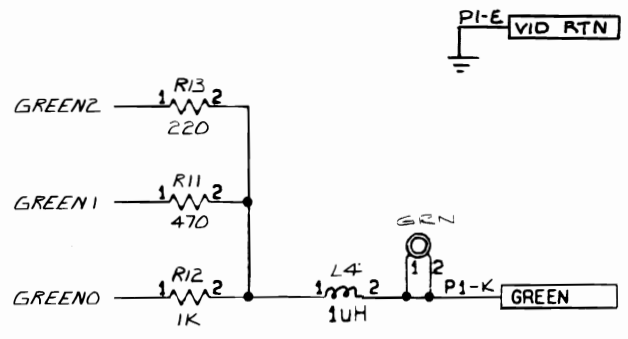
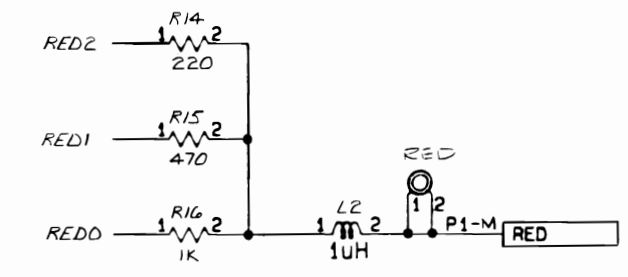
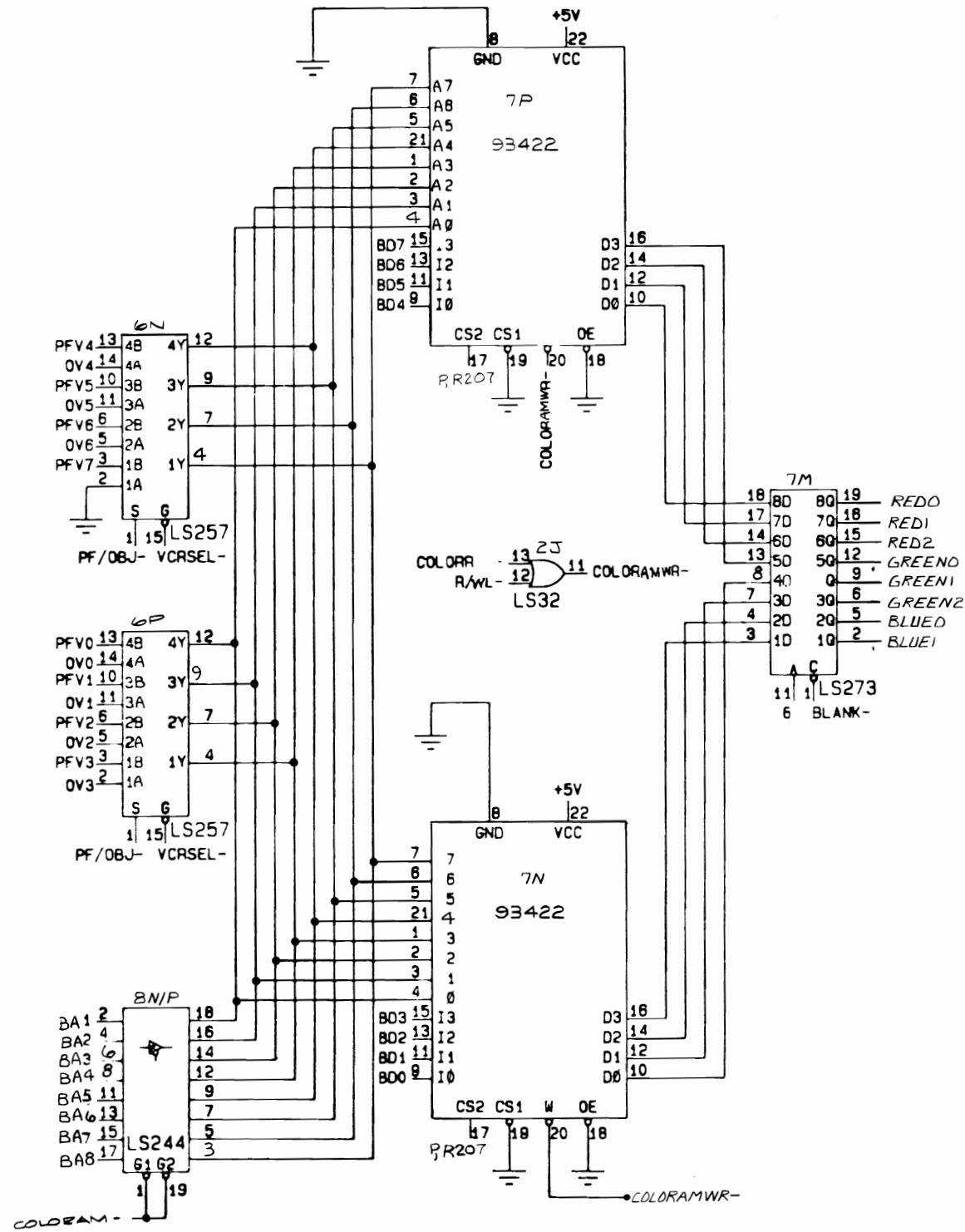
Food Fight Line Buffers Schematic Diagram



© ATARI INC. 1983

SP-229 Sheet 9A
 1st Printing

A Warner Communications Company

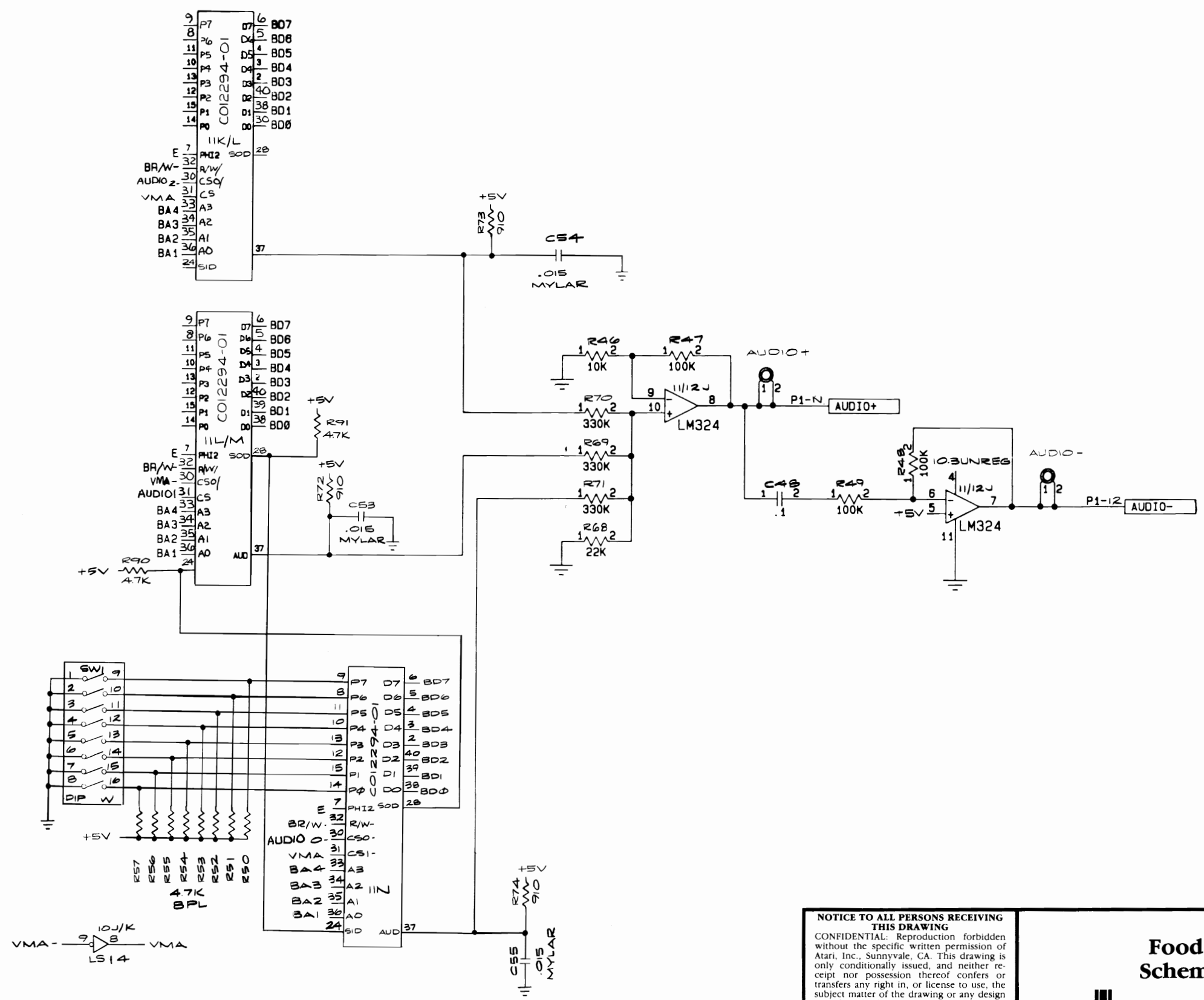


NOTICE TO ALL PERSONS RECEIVING THIS DRAWING
 CONFIDENTIAL: Reproduction forbidden without the specific written permission of Atari, Inc., Sunnyvale, CA. This drawing is only conditionally issued, and neither receipt nor possession thereof confers or transfers any right in, or license to use, the subject matter of the drawing or any design or technical information shown thereon, nor any right to reproduce this drawing or any part thereof. Except for manufacture by vendors of Atari, Inc., and for manufacture under the corporation's written license, no right is granted to reproduce this drawing or the subject matter thereof, unless by written agreement with or written permission from the corporation.

Food Fight Color RAM Schematic Diagram

ATARI
 A Warner Communications Company

© ATARI INC. 1983
 SP-229 Sheet 9B
 1st Printing

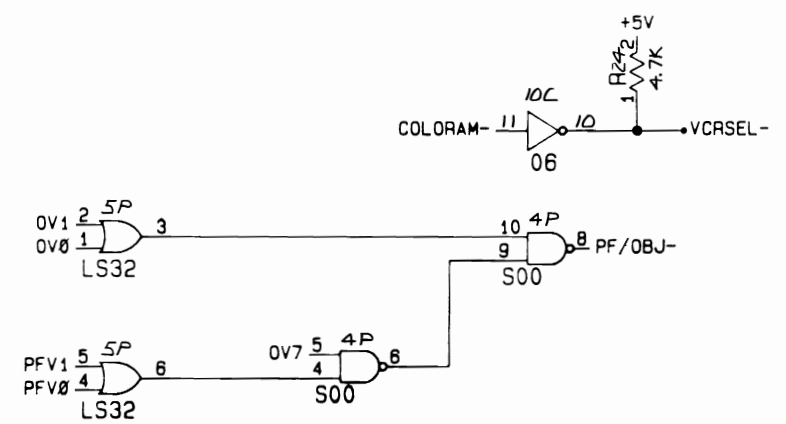
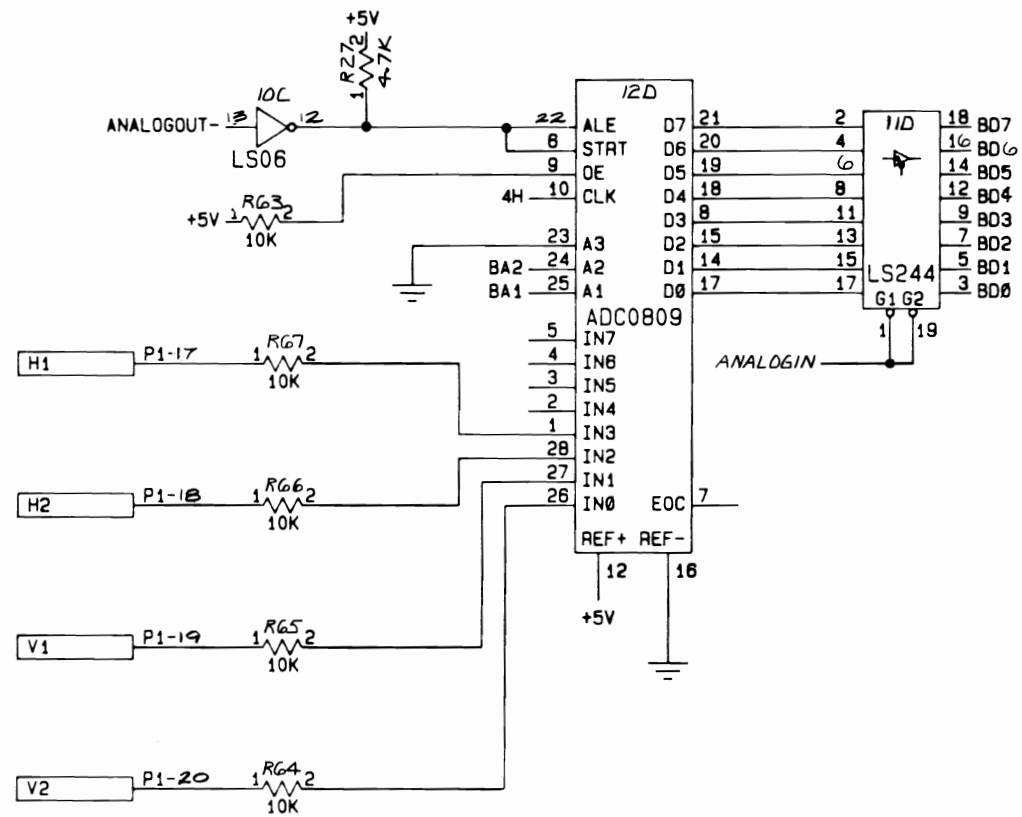


NOTICE TO ALL PERSONS RECEIVING THIS DRAWING
 CONFIDENTIAL: Reproduction forbidden without the specific written permission of Atari, Inc., Sunnyvale, CA. This drawing is only conditionally issued, and neither receipt nor possession thereof confers or transfers any right in, or license to use, the subject matter of the drawing or any design or technical information shown thereon, nor any right to reproduce this drawing or any part thereof. Except for manufacture by vendors of Atari, Inc., and for manufacture under the corporation's written license, no right is granted to reproduce this drawing or the subject matter thereof, unless by written agreement with or written permission from the corporation.

Food Fight Sound Schematic Diagram

ATARI
 A Warner Communications Company

© ATARI INC. 1983
 SP-229 Sheet 10A
 1st Printing



NOTICE TO ALL PERSONS RECEIVING THIS DRAWING
 CONFIDENTIAL. Reproduction forbidden without the specific written permission of Atari, Inc., Sunnyvale, CA. This drawing is only conditionally issued, and neither receipt nor possession thereof confers or transfers any right in, or license to use, the subject matter of the drawing or any design or technical information shown thereon, nor any right to reproduce this drawing or any part thereof. Except for manufacture by vendors of Atari, Inc., and for manufacture under the corporation's written license, no right is granted to reproduce this drawing or the subject matter thereof, unless by written agreement with or written permission from the corporation.

Food Fight Analog Inputs Schematic Diagram



A Warner Communications Company

© ATARI INC. 1983

SP-229 Sheet 10B
 1st Printing

Schematic Notes

Unless otherwise specified

Resistance: (Ω) (K→KΩ, M→MΩ), 1/4 (W) carbon resistor

Capacitance: 1 or higher → (pF), less than 1 → (μF)

working voltage → 50 (V)

ceramic capacitor

Inductance: (μH)

Electrolytic Cap: Capacitance Value (μF)/working voltage (V),

NP → non-polar (or bipolar) electrolytic cap.

Refer to the parts list for additional component information.

⊕ indicates test point connection

⊔ indicates chassis ground unless otherwise specified

Hz indicates cycles per second

For safety purposes (and continuing reliability)

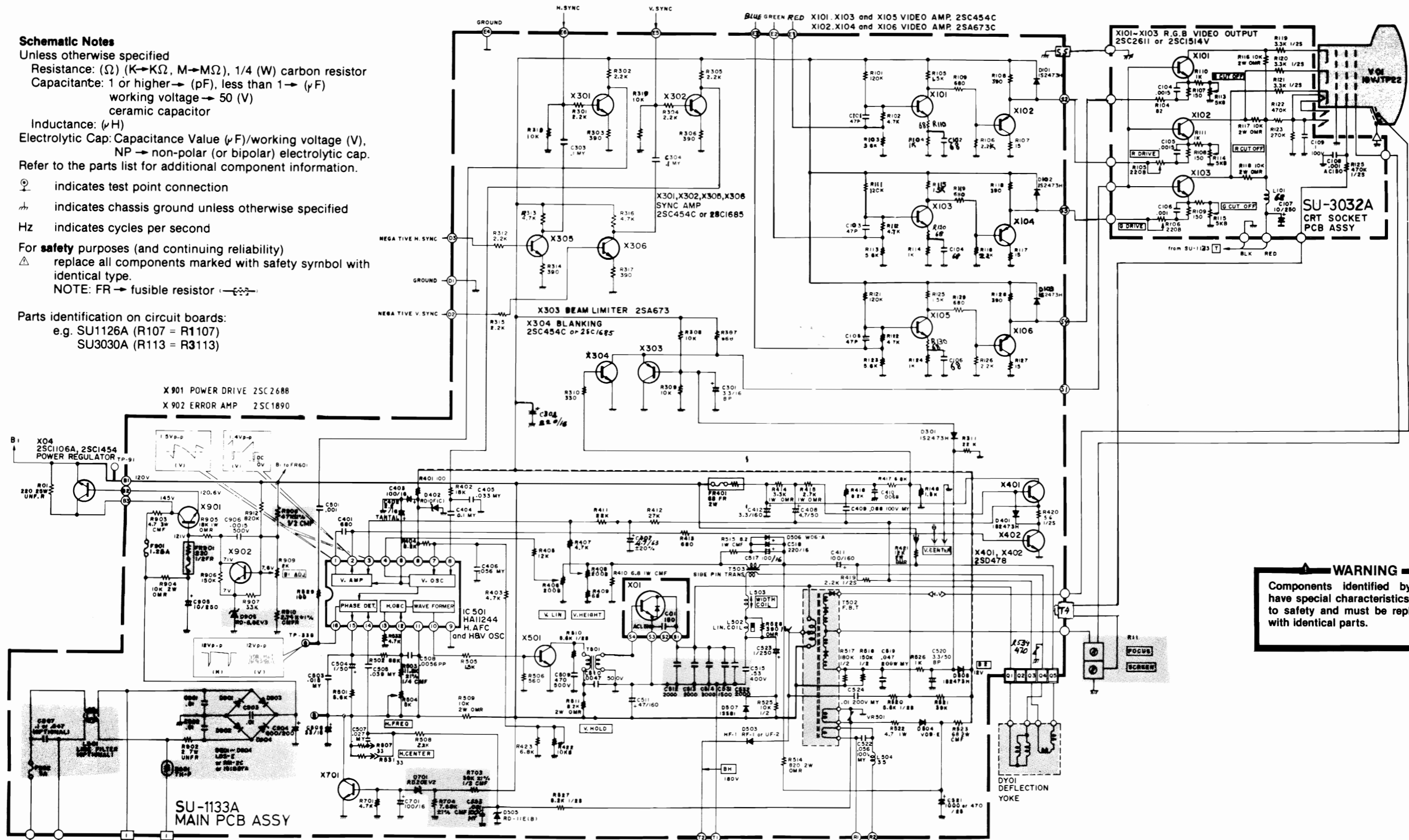
⚠ replace all components marked with safety symbol with identical type.

NOTE: FR → fusible resistor

Parts identification on circuit boards:

e.g. SU1126A (R107 = R1107)

SU3030A (R113 = R3113)



WARNING
Components identified by shading have special characteristics important to safety and must be replaced only with identical parts.

NOTICE TO ALL PERSONS RECEIVING THIS DRAWING
CONFIDENTIAL: Reproduction forbidden without the specific written permission of Atari, Inc., Sunnyvale, CA. This drawing is only conditionally issued, and neither receipt nor possession thereof confers or transfers any right in, or license to use, the subject matter of the drawing or any design or technical information shown thereon, nor any right to reproduce this drawing or any part thereof. Except for manufacture by vendors of Atari, Inc., and for manufacture under the corporation's written license, no right is granted to reproduce this drawing or the subject matter thereof, unless by written agreement with or written permission from the corporation.

Electrohome Color Raster Display Schematic Diagram

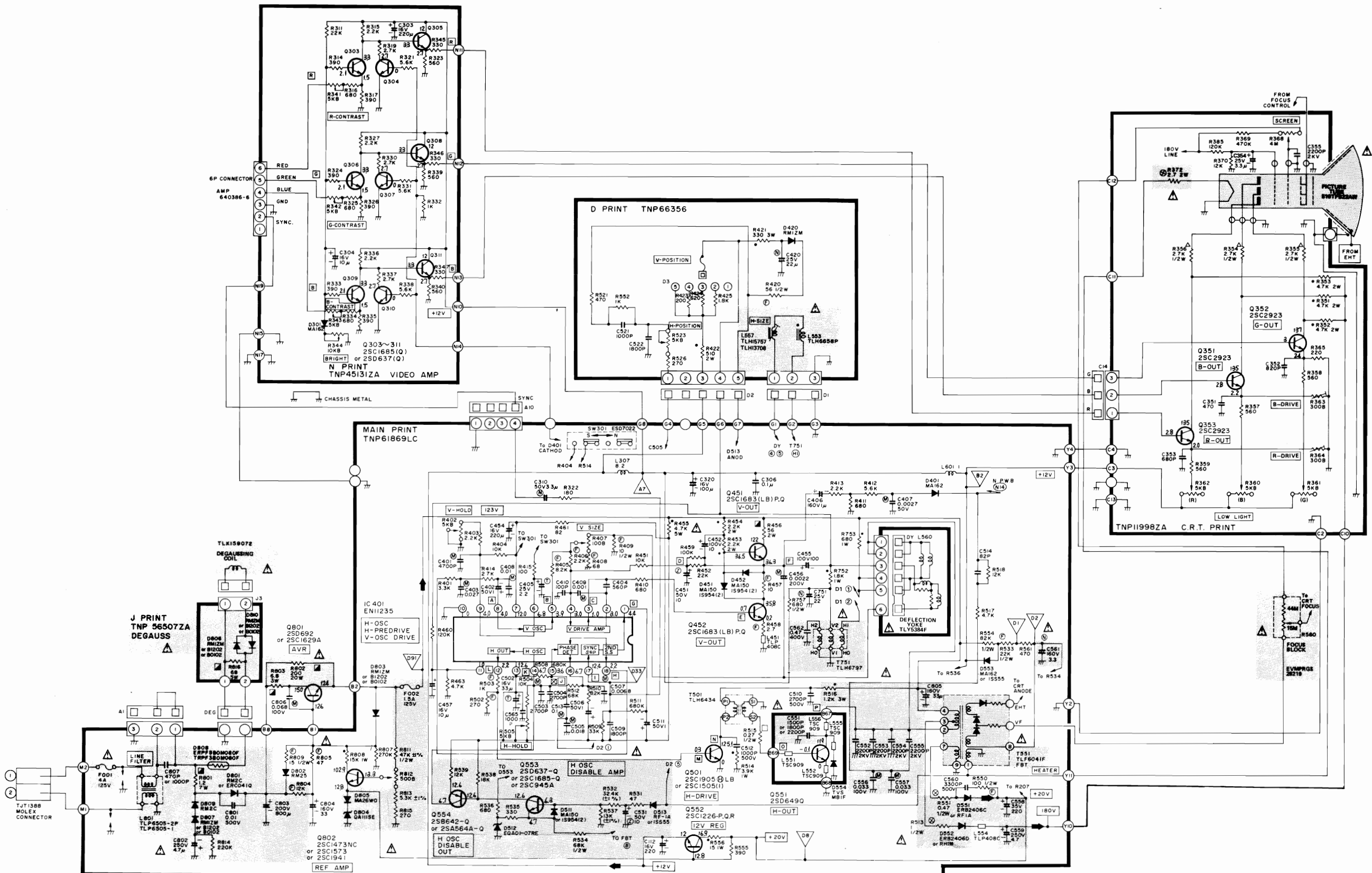


© ATARI INC. 1985

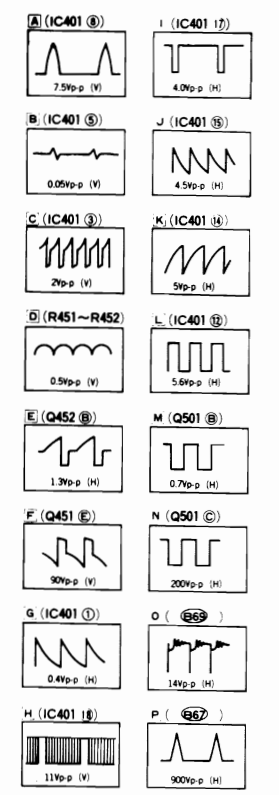
SP-229 Sheet 11A
1st Printing

A Warner Communications Company

1E
14
12
11
10
9
8
7
6
5
4
3
2
1



Waveform



NOTE:
 1. RESISTOR
 All resistors are carbon 1/4W resistor, unless otherwise noted the following marks:
 Unit of resistance is OHM (Ω), K = 1,000, M = 1,000,000.
 □ Solid
 ▨ Wire Wound
 Z Non-Flammable
 ⊕ Cement
 2. CAPACITOR
 All capacitors are ceramic 50V capacitor, unless otherwise noted the following marks:
 Unit of capacitance is μF, unless otherwise noted.
 * Electrolytic
 □ Bipolar
 Z Z type
 T Doped Tantalum
 Polypropylene
 Titanium Oxide
 Polystyrene
 Temp. Compensated
 Polyester
 3. COIL
 Unit of inductance is μH.
 4. TEST POINT
 Y Test point position

WARNING
 Components identified by shading have special characteristics important to safety and must be replaced only with identical parts.

NOTICE TO ALL PERSONS RECEIVING THIS DRAWING
 CONFIDENTIAL: Reproduction forbidden without the specific written permission of Atari, Inc., Sunnyvale, CA. This drawing is only conditionally issued, and neither receipt nor possession thereof confers or transfers any right in, or license to use, the subject matter of the drawing or any design or technical information shown thereon, nor any right to reproduce this drawing or any part thereof. Except for manufacture by vendors of Atari, Inc., and for manufacture under the corporation's written license, no right is granted to reproduce this drawing or the subject matter thereof, unless by written agreement with or written permission from the corporation.

Matsushita Color Raster Display Schematic Diagram

© ATARI INC. 1983

SP-229 Sheet 11B
1st Printing