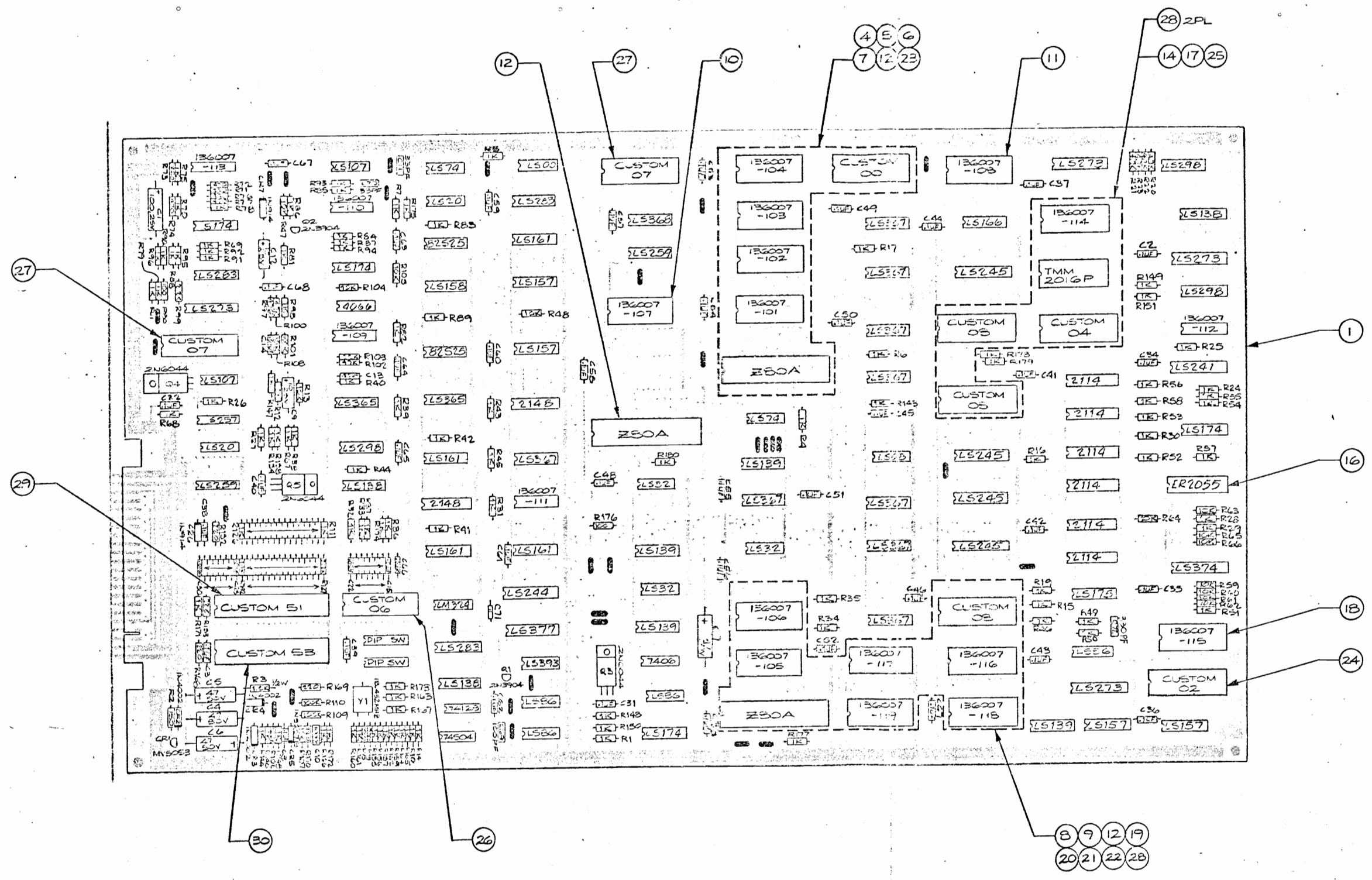
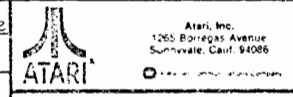


REVISIONS					
SYM	DESCRIPTION	DATE	INCRP	CHECK	APPROVED
A	FROD - REL	3/82	RH	RJ	
B	ECN 9436 9466 9523 9575	3/82	TP	RS	



DIS DUG		DO NOT SCALE DRAWING		DRAWN BY: <i>Base Build 2/20/82</i>		DATE: 3/12/82		ATARI	
NEXT ASSY		FIRST USED ON		CHECKED BY: <i>RJ</i>		DATE: 3/12/82		TITLE: ASSY DIG-DUG PC BD	
OUTSTANDING ECNS		UNLESS OTHERWISE SPECIFIED DIMENSIONS ARE IN INCHES TOLERANCES ON:		ENGR, MECH		DATE:		SCALE: 1:1	
		ANGLES: 30° ±0.1°		ENGR, ELECT		DATE: 3/12/82		SHEET: 1 OF 1	
		SURFACE FINISH: 0.0015"		INDUSTRIAL DESIGN		DATE:		REV: B	
		MATERIAL:		HARNES DESIGN		DATE:		DRAWING NO: A038156-01	
		FINISH:		PROJECT ENGR		DATE: 3/12/82		MFG ENGR	
				DATE: 3/12/82					

NOTICE TO ALL PERSONS RECEIVING THIS DRAWING: CONFIDENTIAL. Reproduction forbidden without the specific written permission of Atari, Inc., Sunnyvale, California. This drawing is not conditionally issued, and neither request nor possession thereof confers or warrants any right or license to use the subject matter of the drawing or any part thereof, or to reproduce the same, in whole or in part, for any purpose other than that shown thereon, nor any right to reproduce this drawing or any part thereof, except for manufacture by vendors of Atari, incorporated and for manufacture under the corporate's written license. No right to reproduce this drawing is granted or the subject matter thereof unless by written agreement with or written permission from the corporation.



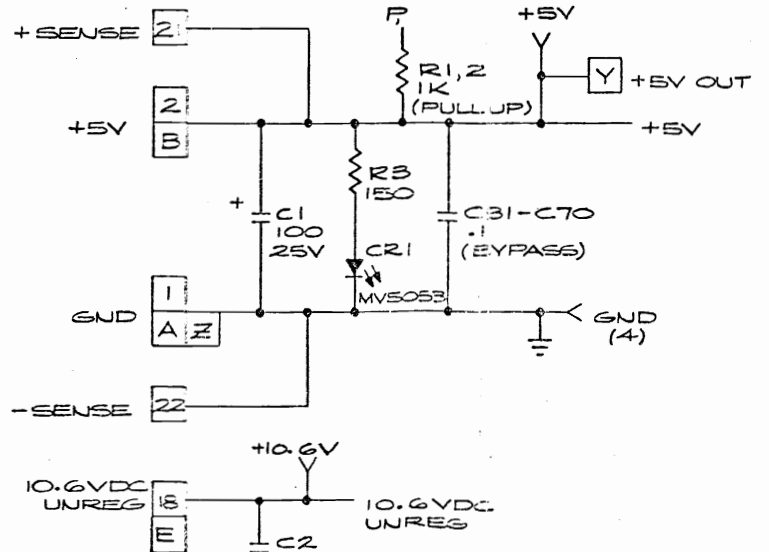
Atari, Inc.
1265 Elgin Avenue
Sunnyvale, Calif. 94086

PROJECT ENGR: *[Signature]*
DATE: 3/12/82
MFG ENGR: *[Signature]*
DATE: 3/12/82

IC CHART			VOLTAGE / PIN NO.		UNUSED GATES
DEVICE	GND	+5V	10.6V UNREG	-29V	
74LS00	7	14			6H
7406	7	14			11K, 11K
74LS08	7	14			
74LS20	7	14			
74LS32	7	14			
74LS74	7	14			
74LS86	7	14			
74LS107	7	14			
74128	7	14			
74LS138	8	16			
74LS139	8	16			
74LS157	8	16			
74LS158	8	16			
74LS161	8	16			
74LS166	8	16			
74LS174	8	16			
74LS175	8	16			
74LS241	10	20			
74LS244	10	20			
74LS245	10	20			
74LS257	8	16			
74LS259	8	16			
74LS273	10	20			
74LS283	8	16			
74LS293	8	16			
74LS345	8	16			
74LS367	8	16			
74LS368	8	16			
74LS374	10	20			
74LS377	10	20			
74LS393	7	14			
74S04	7	14			
74S174	8	16			
2532	12	24			
LMB24	11		4		11H, 11H
ER2055	19	6		14	
82S25	8	16			
82S123	8	16			
82S129	8	16			
2732	12	24			
2716	12	24			
2016	12	24			
2114	9	18			
2148	9	18			
4066	7	14			
380A	29	11			
2732A	12	24			
CUSTOM 00	14	28			
02	14	28			
04	14	28			
06	14	28			
07	14	28			
08	14	28			
51	21	42			
CUSTOM 53	21	42			

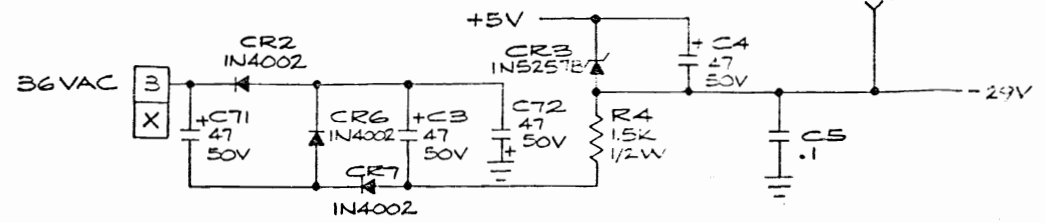
REVISIONS				
SYM	DESCRIPTION	DATE	INCORP	CHECK APPROVED
I	PROTO TYPE	4/29/82	JP	
A	PRE PROD	5/12/82	DUC	
B	PROD REL	5/14/82	JP	R/1.e.10

ADDRESS	DATA	FUNCTION
2000-3FFF	00000000000000000000000000000000	MASTER Z80 ROM (16K)
4000-7FFF	00000000000000000000000000000000	#2 Z80 ROM (8K)
6000-7FFF	00000000000000000000000000000000	#3 Z80 ROM (8K)
8000-80FF	01010101010101010101010101010101	AUDIO CONTROL
8010-801F	01010101010101010101010101010101	AUDIO CONTROL
C020	00000000000000000000000000000000	0 = RESET IRQ (LATCHED)
C021	00000000000000000000000000000000	0 = RESET IRQ
C022	00000000000000000000000000000000	0 = ENABLE NMIS
C023	00000000000000000000000000000000	0 = RESET Z80 #2 & #3
C024	00000000000000000000000000000000	CUSTOM SS MODE CONTROL
C025	00000000000000000000000000000000	" " " " " "
C026	00000000000000000000000000000000	" " " " " "
2800	01010101010101010101010101010101	WATCHDOG RESET
7000	00000000000000000000000000000000	CUSTOM MP-EATA
7100	00000000000000000000000000000000	CUSTOM MP-COMMAND
E000-8FFF	00000000000000000000000000000000	2K PLAYFIELD RAM
8500-85FF	00000000000000000000000000000000	MOTION RAM (PIC COLOR)
8505-85FF	00000000000000000000000000000000	MOTION RAM (VPOS #02)
850A-85FF	00000000000000000000000000000000	MOTION RAM (REF)
A000	00000000000000000000000000000000	PLAYFIELD SELECT (LATCHED)
A001	00000000000000000000000000000000	" " " " " "
A002	00000000000000000000000000000000	PLAYFIELD ENABLE
A003	00000000000000000000000000000000	A/N COLOR SELECT
A004	00000000000000000000000000000000	" " " " " "
A005	00000000000000000000000000000000	PLAYFIELD COLOR SELECT
A006	00000000000000000000000000000000	" " " " " "
A007	00000000000000000000000000000000	FLIP VIDEO
B800-B80F	00000000000000000000000000000000	WRITE EAROM ADDRESS DATA
B810	00000000000000000000000000000000	READ EAROM DATA
B840	00000000000000000000000000000000	WRITE EAROM CONTROL



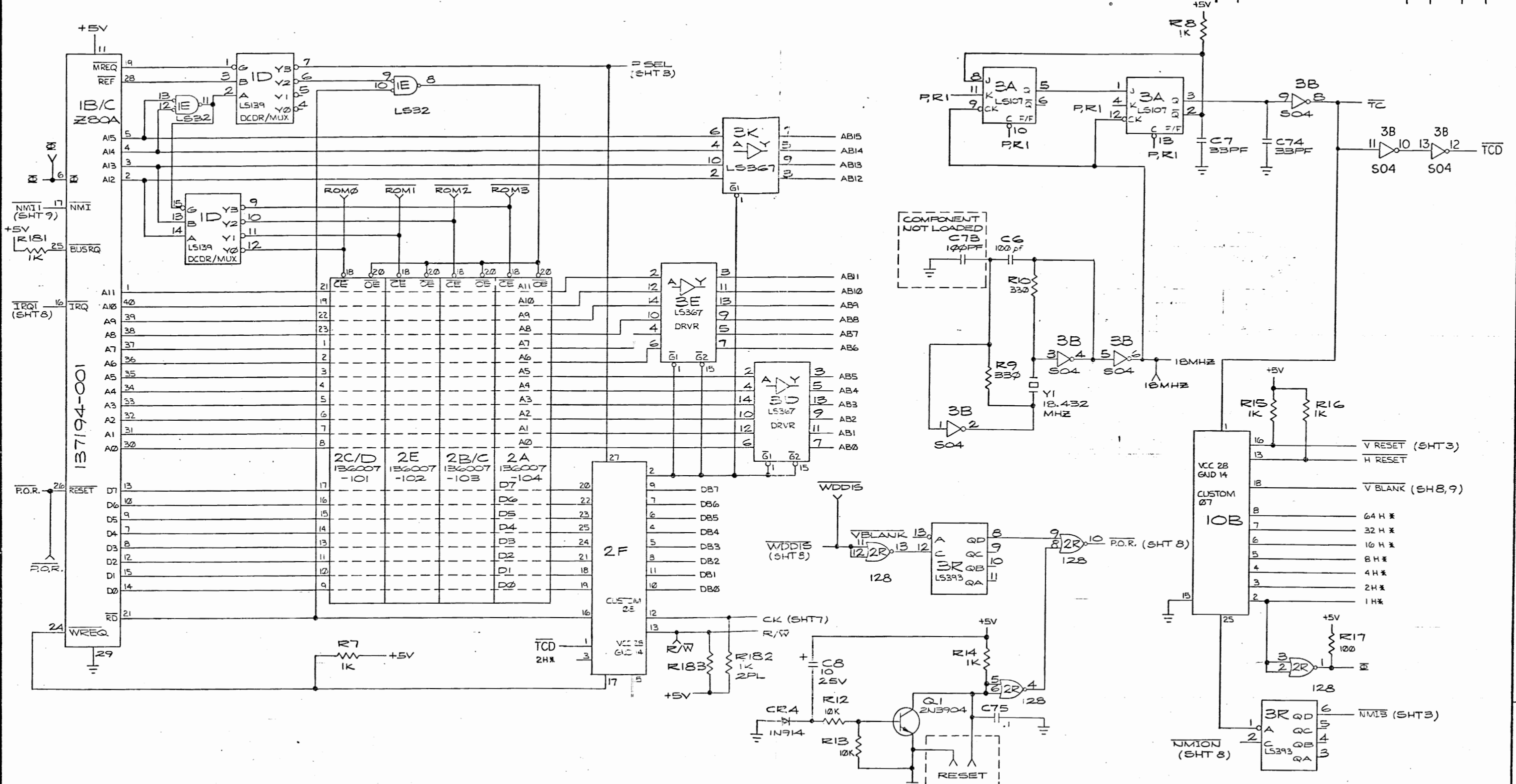
NOTE:
1. = J20 CONNECTOR

DESIGNATOR	
LAST USED	NOT USED
R185	R5, 6, 11, 38, 40, 41, 48, 173, 174
C75	C73
CR7	
Q5	



<table border="1"> <tr><td>NEXT ASSY</td><td>DIG-DUG</td></tr> <tr><td>FIRST USED ON</td><td></td></tr> </table>	NEXT ASSY	DIG-DUG	FIRST USED ON		<table border="1"> <tr><td>DO NOT SCALE DRAWING</td></tr> <tr><td>UNLESS OTHERWISE SPECIFIED DIMENSIONS ARE IN INCHES</td></tr> <tr><td>TOLERANCES ON:</td></tr> <tr><td>ANGLES .1"</td></tr> <tr><td>SURFACE FINISH .125"</td></tr> </table>	DO NOT SCALE DRAWING	UNLESS OTHERWISE SPECIFIED DIMENSIONS ARE IN INCHES	TOLERANCES ON:	ANGLES .1"	SURFACE FINISH .125"	<table border="1"> <tr><td>DRAWN BY</td><td>EN/RH/JD</td><td>DATE</td><td>5/19/82</td></tr> <tr><td>CHECKED BY</td><td>R</td><td>DATE</td><td>5/19/82</td></tr> <tr><td>ENGR. MECH</td><td></td><td>DATE</td><td></td></tr> <tr><td>ENGR. ELECT</td><td></td><td>DATE</td><td></td></tr> <tr><td>INDUSTRIAL DESIGN</td><td></td><td>DATE</td><td></td></tr> <tr><td>HARNES DESIGN</td><td></td><td>DATE</td><td></td></tr> </table>	DRAWN BY	EN/RH/JD	DATE	5/19/82	CHECKED BY	R	DATE	5/19/82	ENGR. MECH		DATE		ENGR. ELECT		DATE		INDUSTRIAL DESIGN		DATE		HARNES DESIGN		DATE		<p>Atari, Inc. 1265 Borregas Avenue Sunnyvale, Calif 94065</p>
NEXT ASSY	DIG-DUG																																			
FIRST USED ON																																				
DO NOT SCALE DRAWING																																				
UNLESS OTHERWISE SPECIFIED DIMENSIONS ARE IN INCHES																																				
TOLERANCES ON:																																				
ANGLES .1"																																				
SURFACE FINISH .125"																																				
DRAWN BY	EN/RH/JD	DATE	5/19/82																																	
CHECKED BY	R	DATE	5/19/82																																	
ENGR. MECH		DATE																																		
ENGR. ELECT		DATE																																		
INDUSTRIAL DESIGN		DATE																																		
HARNES DESIGN		DATE																																		
<table border="1"> <tr><td>PROJECT ENGR</td><td>DATE</td><td>5/21/82</td></tr> <tr><td>MFG ENGR</td><td>DATE</td><td></td></tr> </table>			PROJECT ENGR	DATE	5/21/82	MFG ENGR	DATE		<table border="1"> <tr><td>TITLE</td><td>SCHMATIC</td></tr> <tr><td>DRAWING NO.</td><td>DIG DUG</td></tr> <tr><td>PC BD</td><td></td></tr> </table>	TITLE	SCHMATIC	DRAWING NO.	DIG DUG	PC BD																						
PROJECT ENGR	DATE	5/21/82																																		
MFG ENGR	DATE																																			
TITLE	SCHMATIC																																			
DRAWING NO.	DIG DUG																																			
PC BD																																				
<table border="1"> <tr><td>SIZE</td><td>D</td></tr> <tr><td>DRAWING NO.</td><td>038575-01</td></tr> <tr><td>REV</td><td>B</td></tr> </table>		SIZE	D	DRAWING NO.	038575-01	REV	B	<table border="1"> <tr><td>SCALE</td><td></td></tr> <tr><td>SHEET</td><td></td></tr> </table>		SCALE		SHEET																								
SIZE	D																																			
DRAWING NO.	038575-01																																			
REV	B																																			
SCALE																																				
SHEET																																				

REVISIONS				
SYM	DESCRIPTION	DATE	INCC#	CHECK APPROVED
-	SEE SHEET 1			



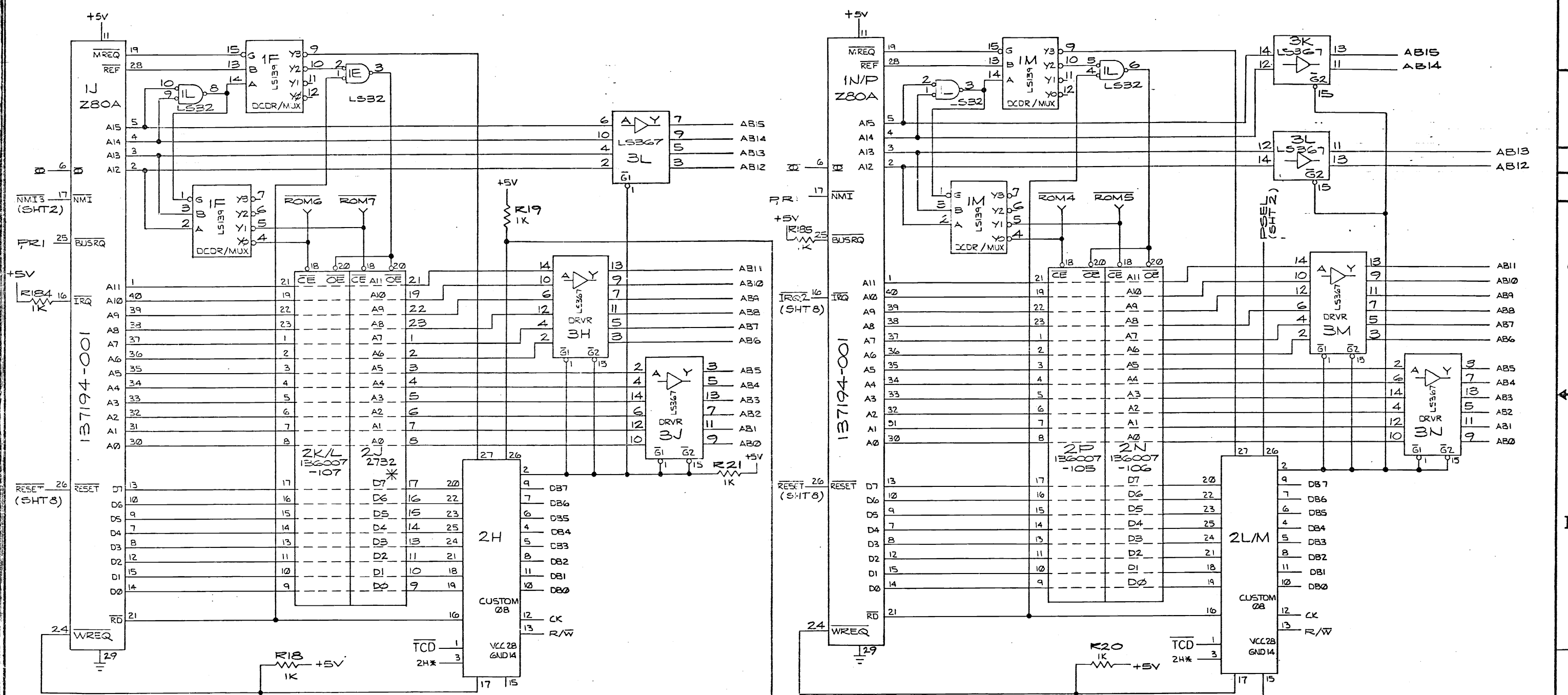
ATARI, Inc.
1265 Borregas Avenue
Sunnyvale, Calif 94086

ATARI

TITLE
SCHEMATIC
DIG DUG
PCBD

SIZE D	DRAWING NO. 033575-01	REV B
-----------	--------------------------	----------

SYM	DESCRIPTION	REVISIONS	DATE	INCRP	CHECK	APPROVED
	SEE SHEET 1					



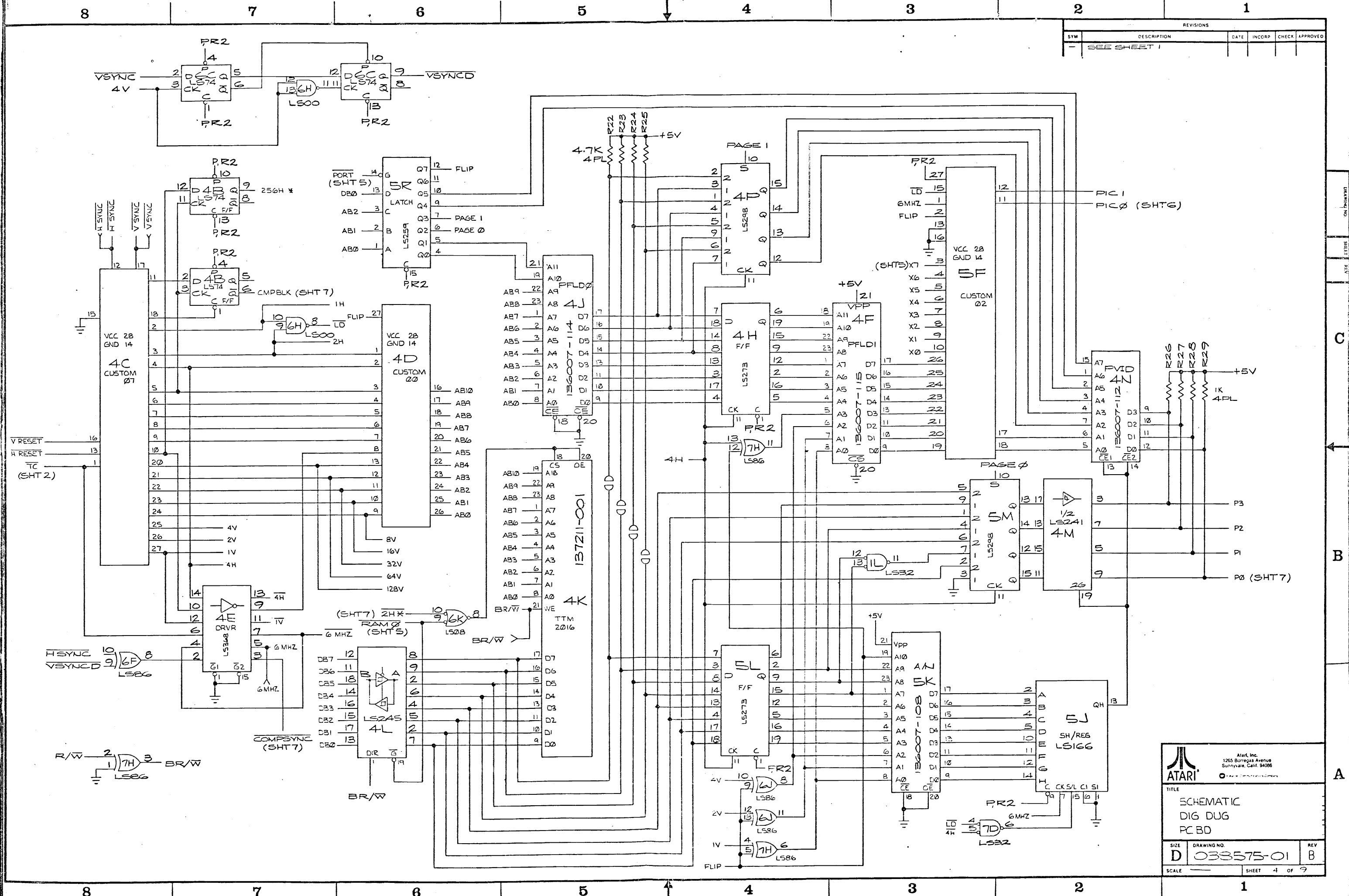
* DO NOT LOAD COMPONENT POSITION 2J (2732)


ATARI, Inc.
1265 Borregas Avenue
Sunnyvale, Calif. 94066

TITLE
SCHEMATIC
DIG DUG
PCBD

SIZE D	DRAWING NO. 038575-01	REV B
SCALE		SHEET 3 OF 7

REVISIONS				
SYM	DESCRIPTION	DATE	INCRP	CHECK APPROVED
-	SEE SHEET 1			



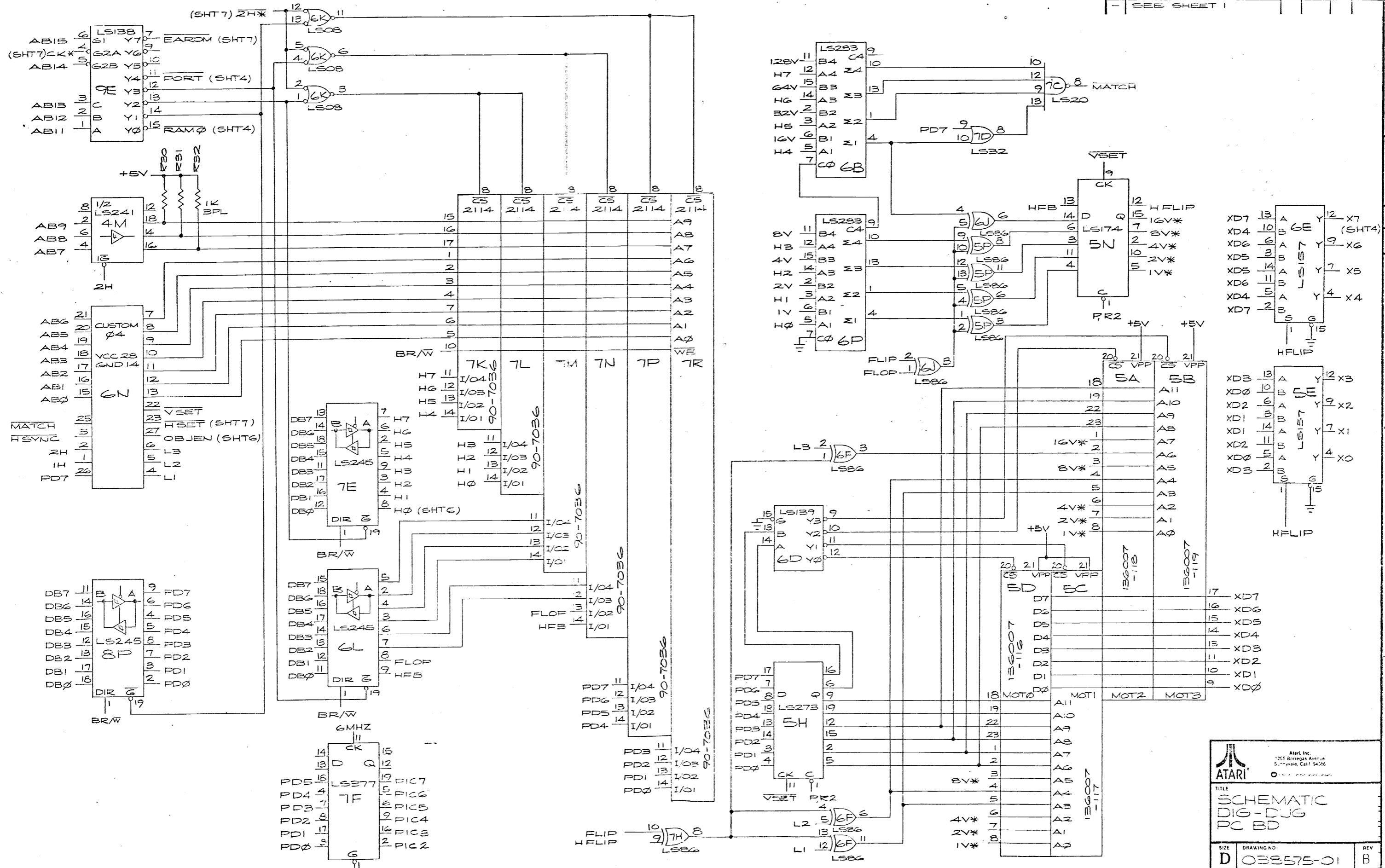

 Atari, Inc.
 1265 Borregas Avenue
 Sunnyvale, Calif. 94086

TITLE
 SCHEMATIC
 DIG DUG
 PCB 00

SIZE	DRAWING NO.	REV
D	033575-01	B

SCALE _____ SHEET 4 OF 9

REVISIONS				
SYM	DESCRIPTION	DATE	INCRP	CHECK APPROVED
-	SEE SHEET 1			

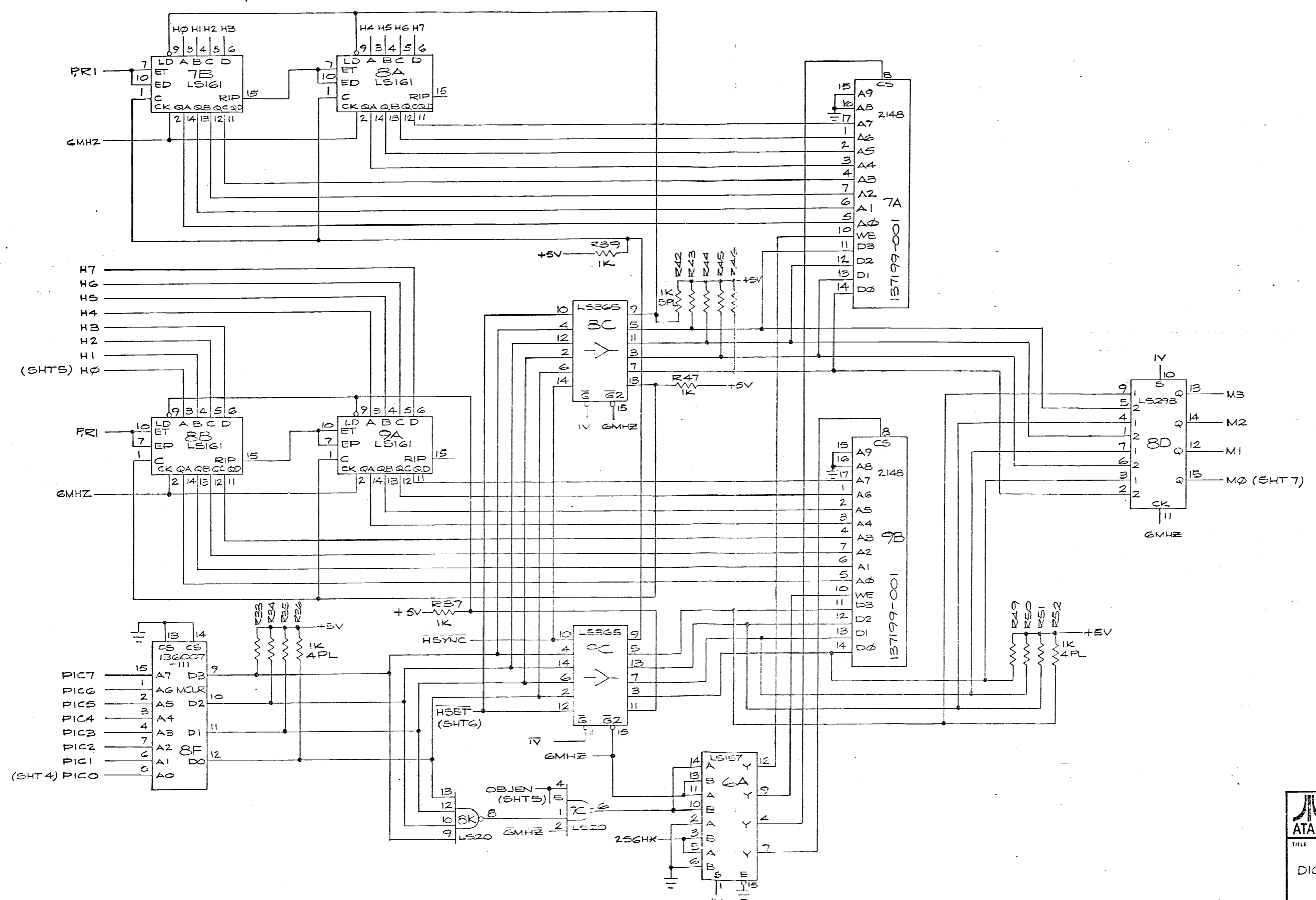


ATARI
 TITLE
SCHEMATIC
DIG-DUG
PC BD

SIZE	DRAWING NO	REV
D	038575-01	B

SCALE - SHEET 3 OF 9

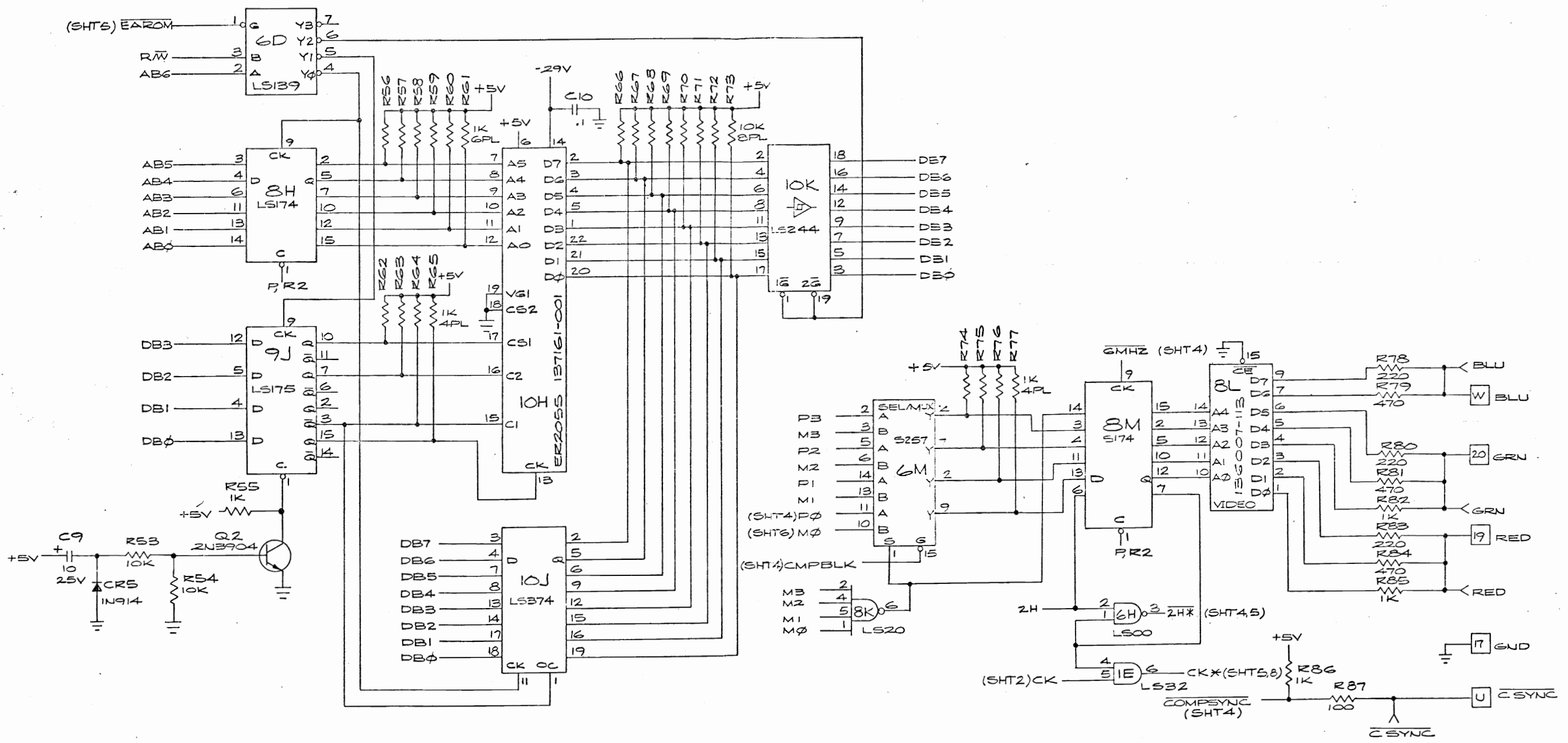
REVISIONS				
SYM	DESCRIPTION	DATE	INCRP	CHECK APPROVED
-	SEE SHEET 1			




TITLE SCHEMATIC
DIG DUG PC BD

SIZE D	DRAWING NO. 038575-01	REV B
SCALE	SHEET 6 OF 7	

REVISIONS					
SYM	DESCRIPTION	DATE	INCRP	CHECK	APPROVED
-	SEE SHEET 1				



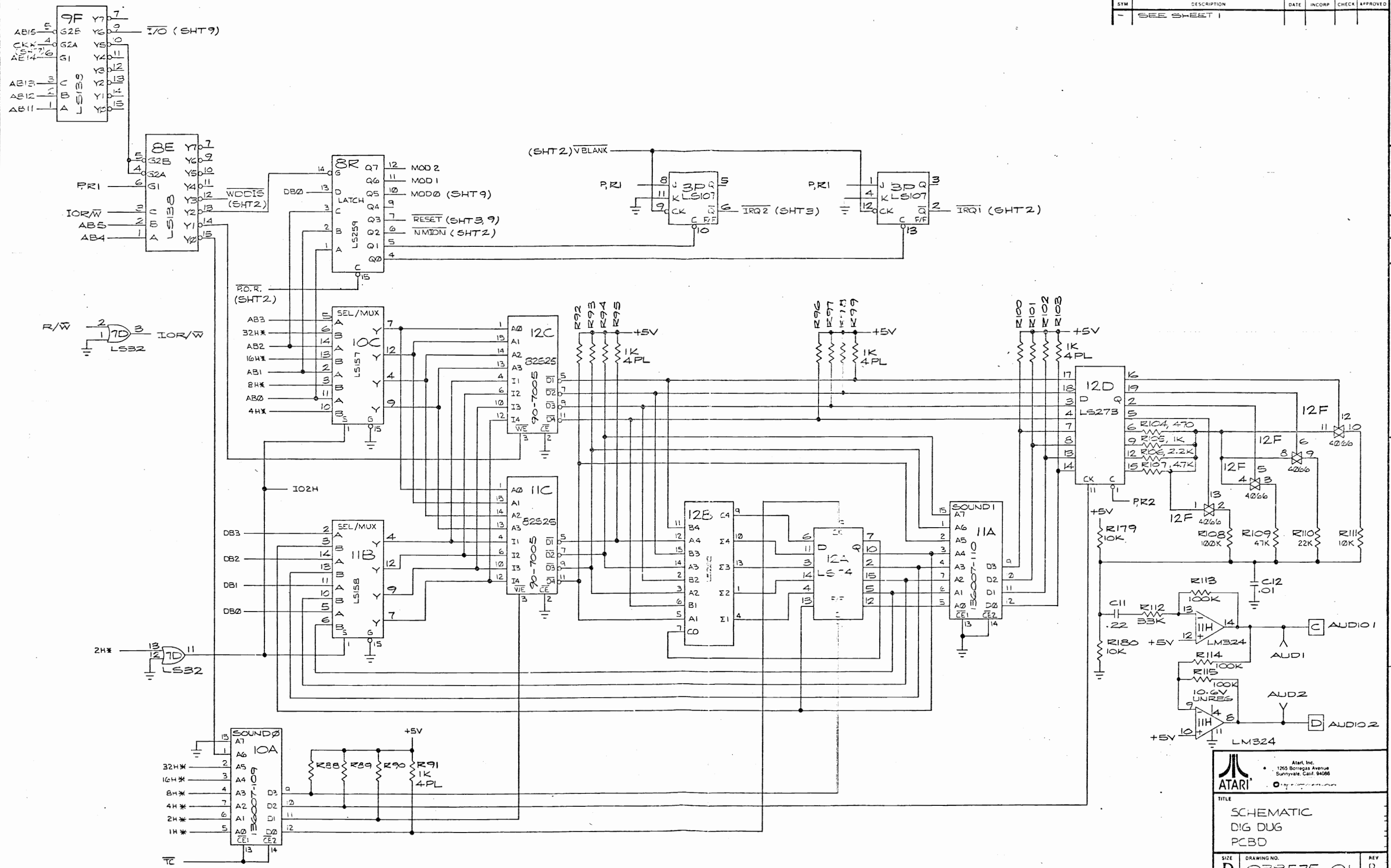
 Atari, Inc.
 1265 Borregas Avenue
 Sunnyvale, Calif. 94086

TITLE
SCHEMATIC
DIG DUG PC BD

SIZE	DRAWING NO.	REV
D	033575-01	B

SCALE — SHEET 7 OF 9

REVISIONS				
SYM	DESCRIPTION	DATE	INCORP	APPROVED
-	SEE SHEET 1			



8 7 6 5 4 3 2 1

ATARI
 1265 Borregas Avenue
 Sunnyvale, Calif. 94086

TITLE
 SCHEMATIC
 DIG DUG
 PCB

SIZE	DRAWING NO.	REV
D	033575-01	B

SCALE SHEET 2 OF 7

DRAWING NO. SHEET REV. C B A