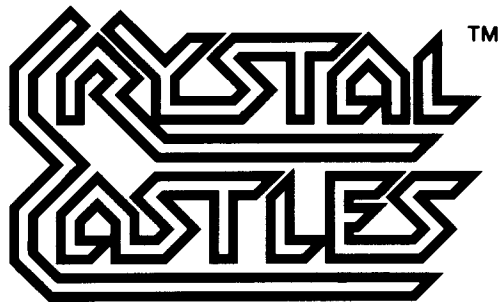


NOTE
Remove this staple to separate the
schematic diagrams from the
Troubleshooting Guide.



Schematic Package Supplement to



Operators Manual

Includes
Troubleshooting Guide

7M

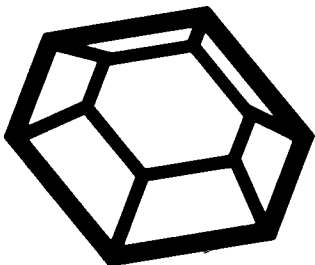


 A Warner Communications Company

SP-241 Sheet 1A
2nd printing

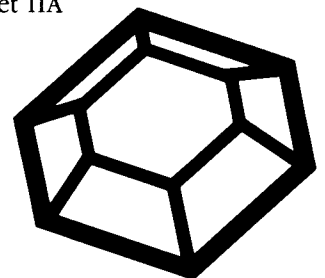
Table of Contents

Table of Contents	Sheet 1A
Crystal Castles Main Wiring Diagram (040694-01 A)	Sheet 1B
Crystal Castles Regulator/Audio II PCB Schematic Diagram (035435-01 F), Color Raster Power Supply Wiring Diagram (037669-01 F)	Sheet 2A
Crystal Castles Coin Door Wiring Diagram (A037542-01 E), Utility Panel Wiring Diagram (A038004-01 F), Fluorescent Light Wiring Diagram (035833-01 A)	Sheet 2B
Crystal Castles Memory Map	Sheet 3A
Game PCB Schematics, Sheets 3B–9A	
Crystal Castles Power Input, Clock, Horizontal Sync Chain, Vertical Sync Chain	Sheet 3B
Crystal Castles Power-On Reset, Watchdog, Microprocessor	Sheet 4A
Crystal Castles Address Decoders, Program Memory	Sheet 4B
Crystal Castles Bit-Mode Decoder, Bit-Mode Read/Write, Auto Increment	Sheet 5A
Crystal Castles Dynamic RAM Control, Dynamic RAM Write Protection, Horizontal Scrolling	Sheet 5B
Crystal Castles Address Selectors, Dynamic RAM	Sheet 6A
Crystal Castles Working RAM and Motion-Object RAM, Non-Volatile RAM, Position Control	Sheet 6B
Crystal Castles Motion-Object Vertical Control, Motion-Object Picture ROM .	Sheet 7A
Crystal Castles Motion-Object Horizontal Control, Motion-Object Buffer	Sheet 7B
Crystal Castles Color Memory, Color Output	Sheet 8A
Crystal Castles Trak-Ball™ Input, Player Switches Input, Audio Output, Coin Counter, and LED Output	Sheet 8B
Crystal Castles EMI Shield	Sheet 9A
Display Schematics, Sheets 9B–11A	
Atari Color Raster Display Wiring Diagram (200002-01 A)	Sheet 9B
Atari Color Raster Display Deflection PCB (201022-01 A)	Sheet 10A
Atari Color Raster Display Neck PCB (201020-01 A)	Sheet 10B
Matsushita Color Raster Display PCB (139003-1004)	Sheet 11A

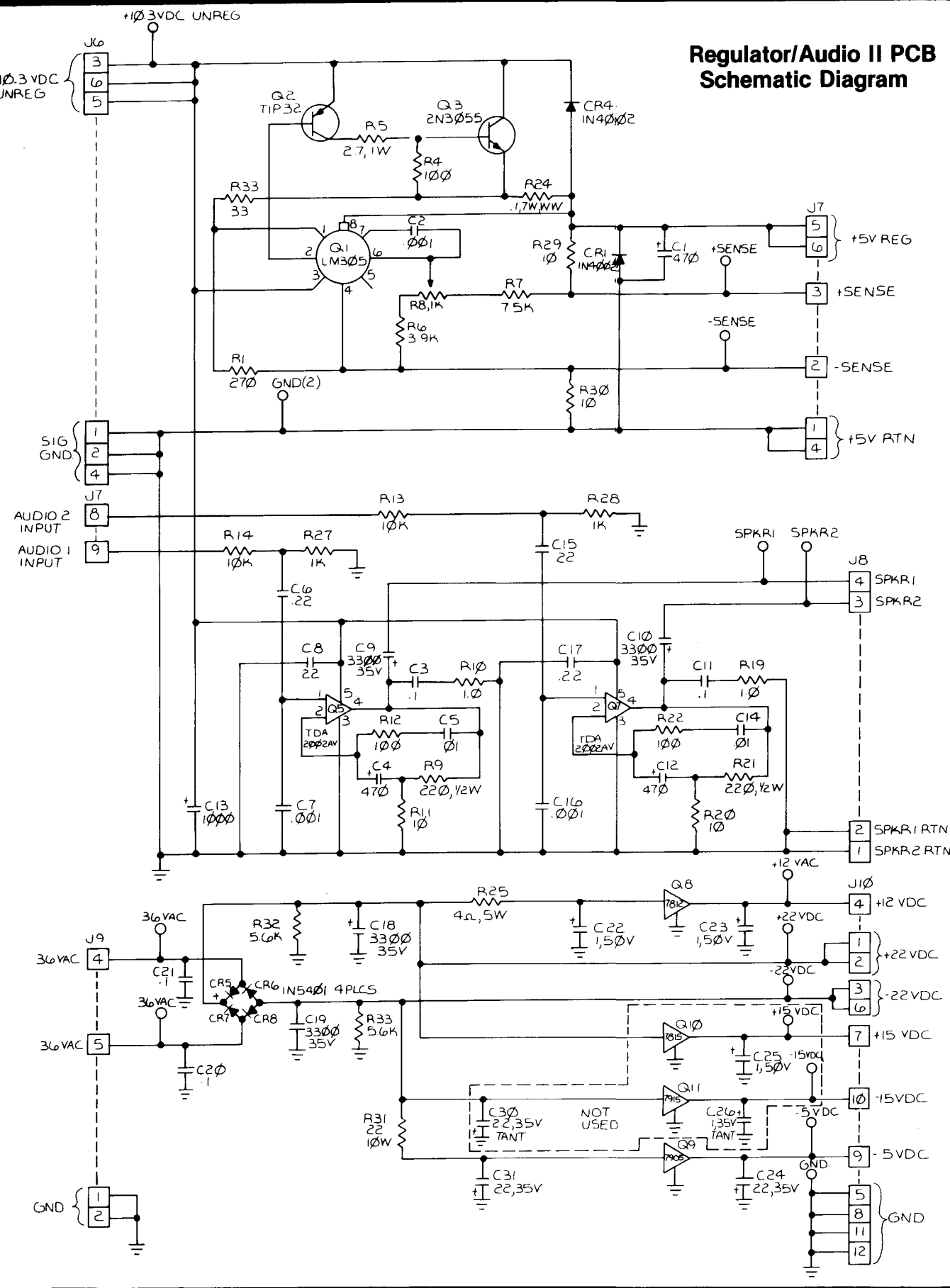


NOTE

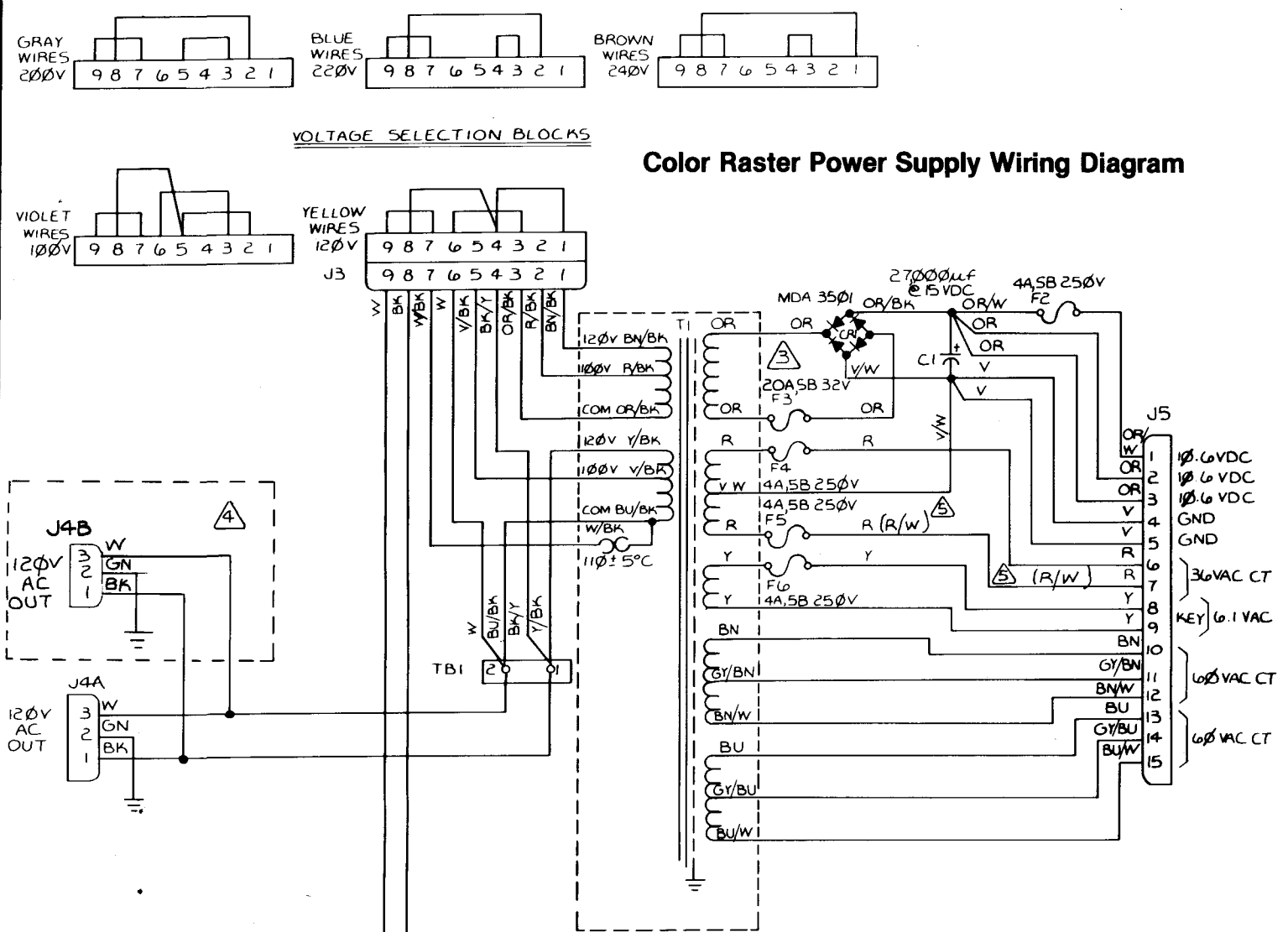
A Crystal Castles Troubleshooting Guide is included as part of this Schematic Package Supplement. The Troubleshooting Guide contains Atari CAT Box troubleshooting procedures.



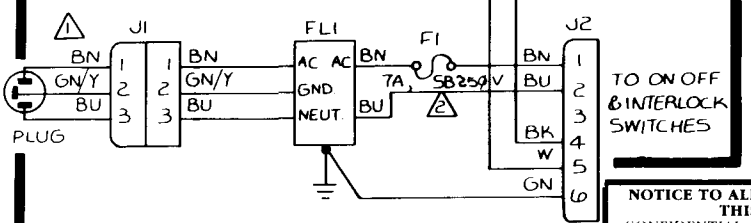
Regulator/Audio II PCB Schematic Diagram



Color Raster Power Supply Wiring Diagram



- NOTES:**
- ⚠ USE 25 AMP SB 32 FUSE AT F3 FOR -04, -05, +06 VERSION OF A037671-XX POWER SUPPLY.
 - ⚠ J4B USED IN -07 THROUGH -12 VERSION OF A037671-XX POWER SUPPLY ASSY.
 - ⚠ ALTERNATE WIRE COLOR IS IN PARENTHESES ().
 - ⚠ POWER CORD ASSY MAY HAVE WIRE COLORS AS SHOWN OR WIRE COLORS AS FOLLOWS: ONE BLACK WIRE (AC), ONE GREEN WIRE GND AND ONE WHITE WIRE (NEUTRAL).
 - ⚠ USE 4AMP SB 250V FUSE AT F1 WITH 220V & 240V (EUROPEAN ONLY)



NOTICE TO ALL PERSONS RECEIVING THIS DRAWING
 CONFIDENTIAL: Reproduction forbidden without the specific written permission of Atari, Inc., Sunnyvale, CA. This drawing is only conditionally issued, and neither receipt nor possession thereof confers or transfers any right in, or license to use, the subject matter of the drawing or any design or technical information shown thereon, nor any right to reproduce this drawing or any part thereof. Except for manufacture by vendors of Atari, Inc., and for manufacture under the corporation's written license, no right is granted to reproduce this drawing or the subject matter thereof, unless by written agreement with or written permission from the corporation.

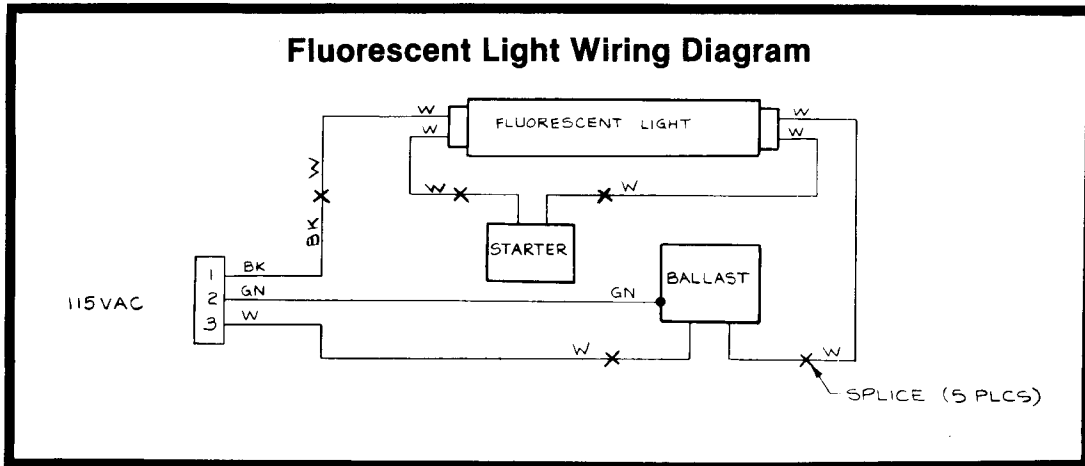
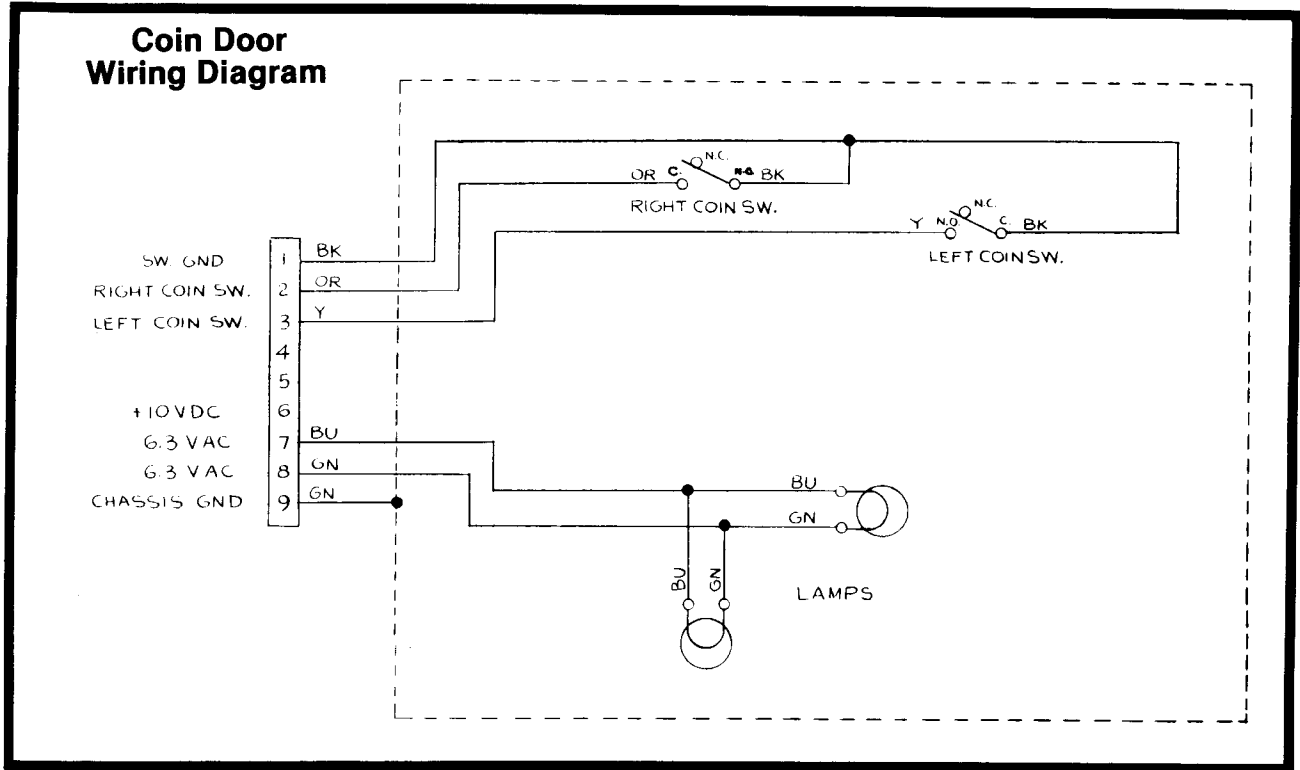
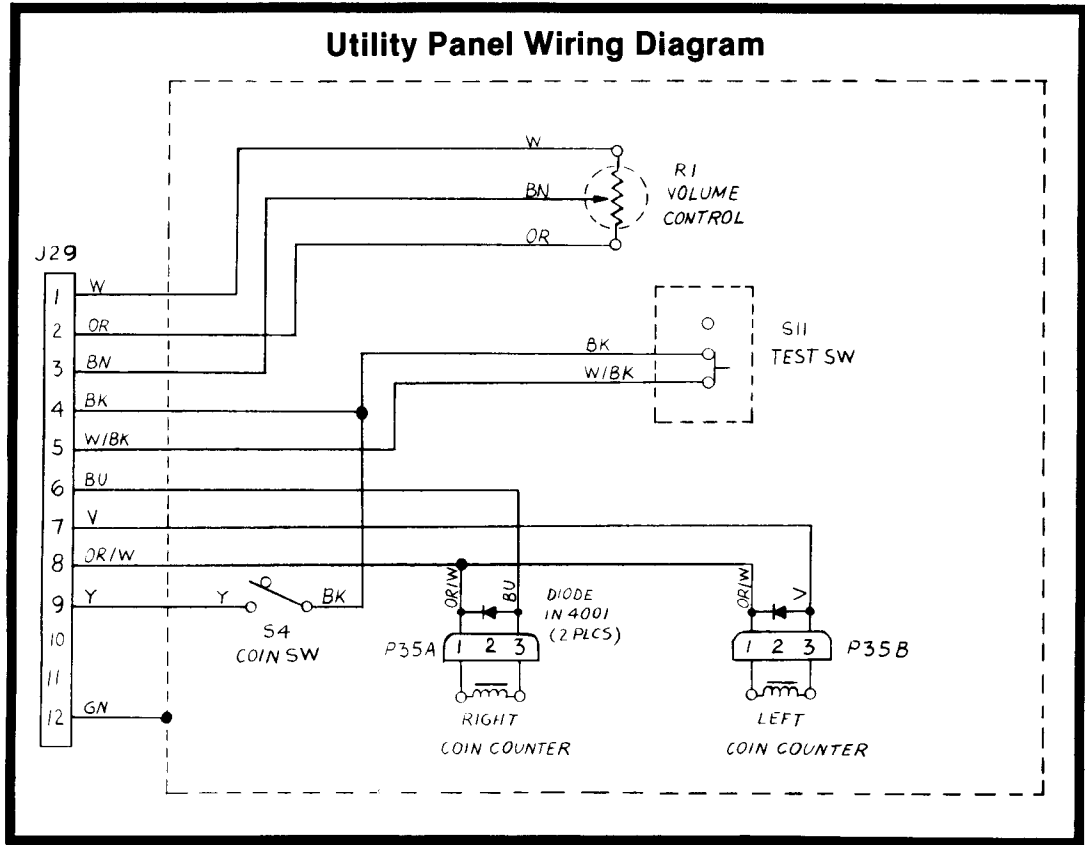
Crystal Castles Regulator/Audio II PCB and Power Supply Diagrams



A Warner Communications Company

© ATARI INC. 1983

SP-241 Sheet 2A
 2nd printing






NOTICE TO ALL PERSONS RECEIVING THIS DRAWING
 CONFIDENTIAL. Reproduction forbidden without the specific written permission of Atari, Inc., Sunnyvale, CA. This drawing is only conditionally issued, and neither receipt nor possession thereof confers or transfers any right in, or license to use, the subject matter of the drawing or any design or technical information shown thereon, nor any right to reproduce this drawing or any part thereof. Except for manufacture by vendors of Atari, Inc., and for manufacture under the corporation's written license, no right is granted to reproduce this drawing or the subject matter thereof, unless by written agreement with or written permission from the corporation.

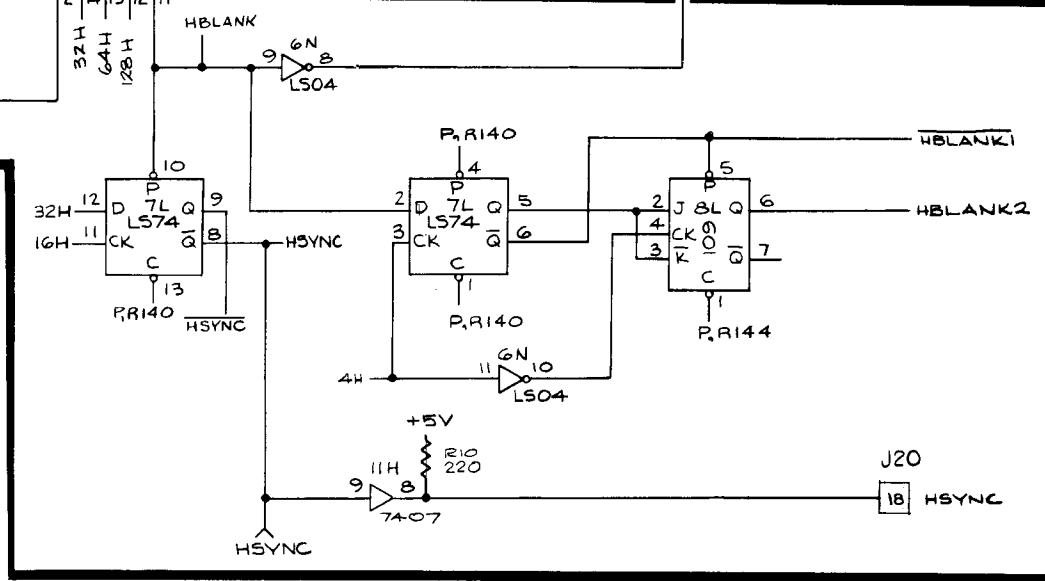
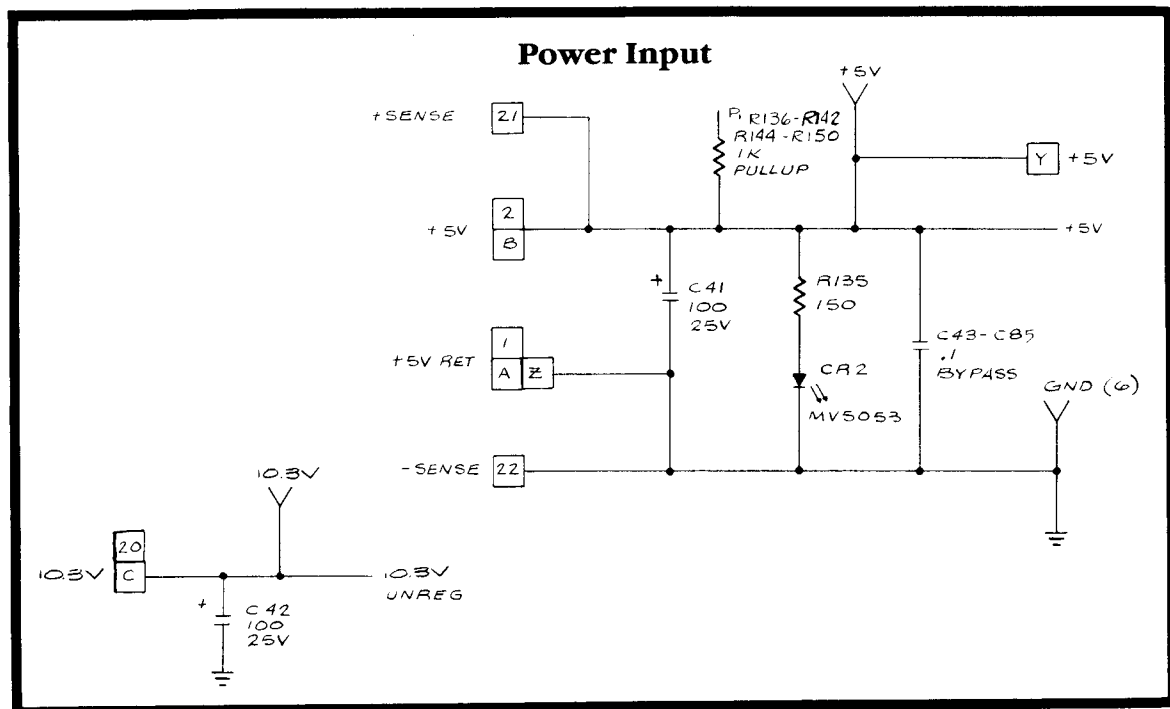
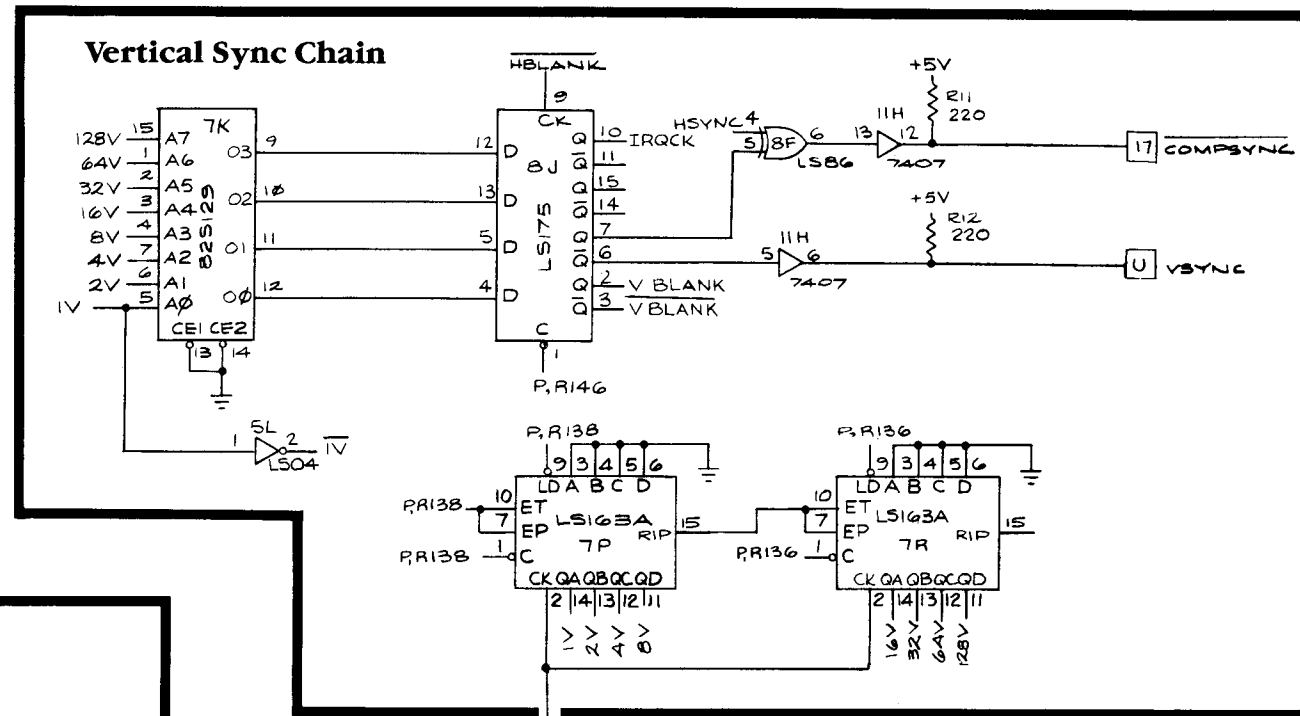
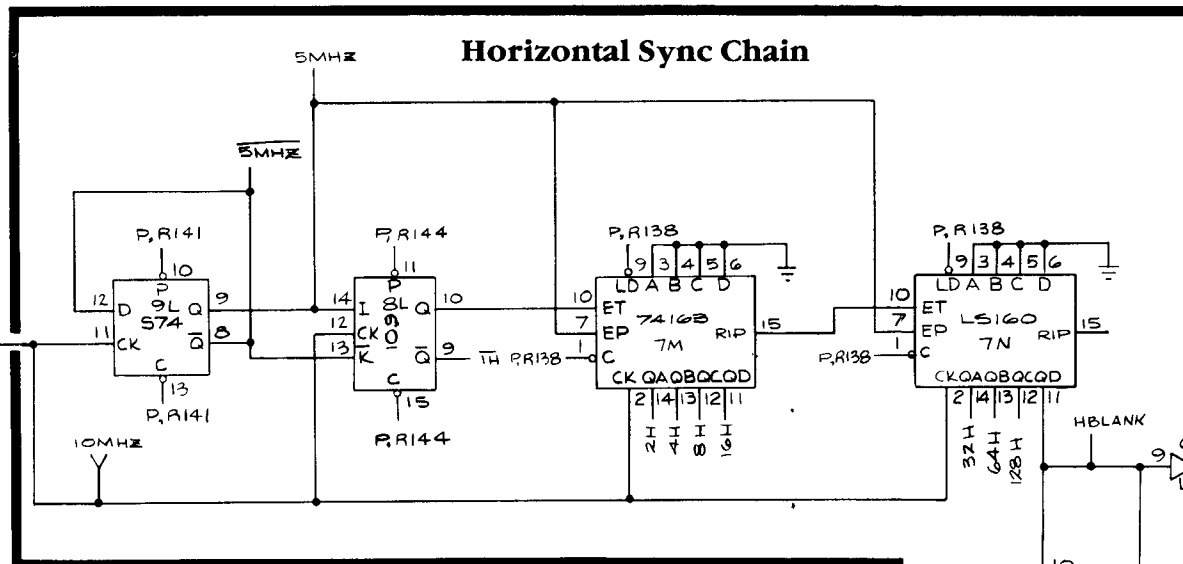
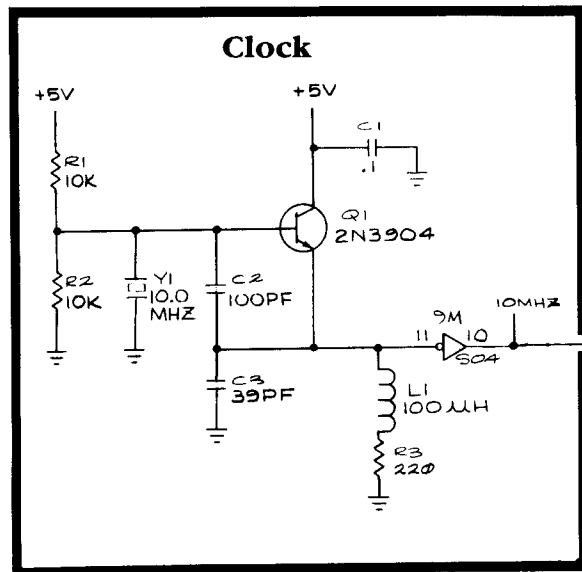
Crystal Castles Game Interfaces

© ATARI INC. 1983

SP-241 Sheet 2B
2nd printing


Connector Symbols

1.  DENOTES J20 CONNECTOR.
2.  DENOTES J19 CONNECTOR.
3.  DENOTES TEST CONNECTOR.



NOTICE TO ALL PERSONS RECEIVING THIS DRAWING
 CONFIDENTIAL: Reproduction forbidden without the specific written permission of Atari, Inc., Sunnyvale, CA. This drawing is only conditionally issued, and neither receipt nor possession thereof confers or transfers any right in, or license to use, the subject matter of the drawing or any design or technical information shown thereon, nor any right to reproduce this drawing or any part thereof. Except for manufacture by vendors of Atari, Inc., and for manufacture under the corporation's written license, no right is granted to reproduce this drawing or the subject matter thereof, unless by written agreement with or written permission from the corporation.

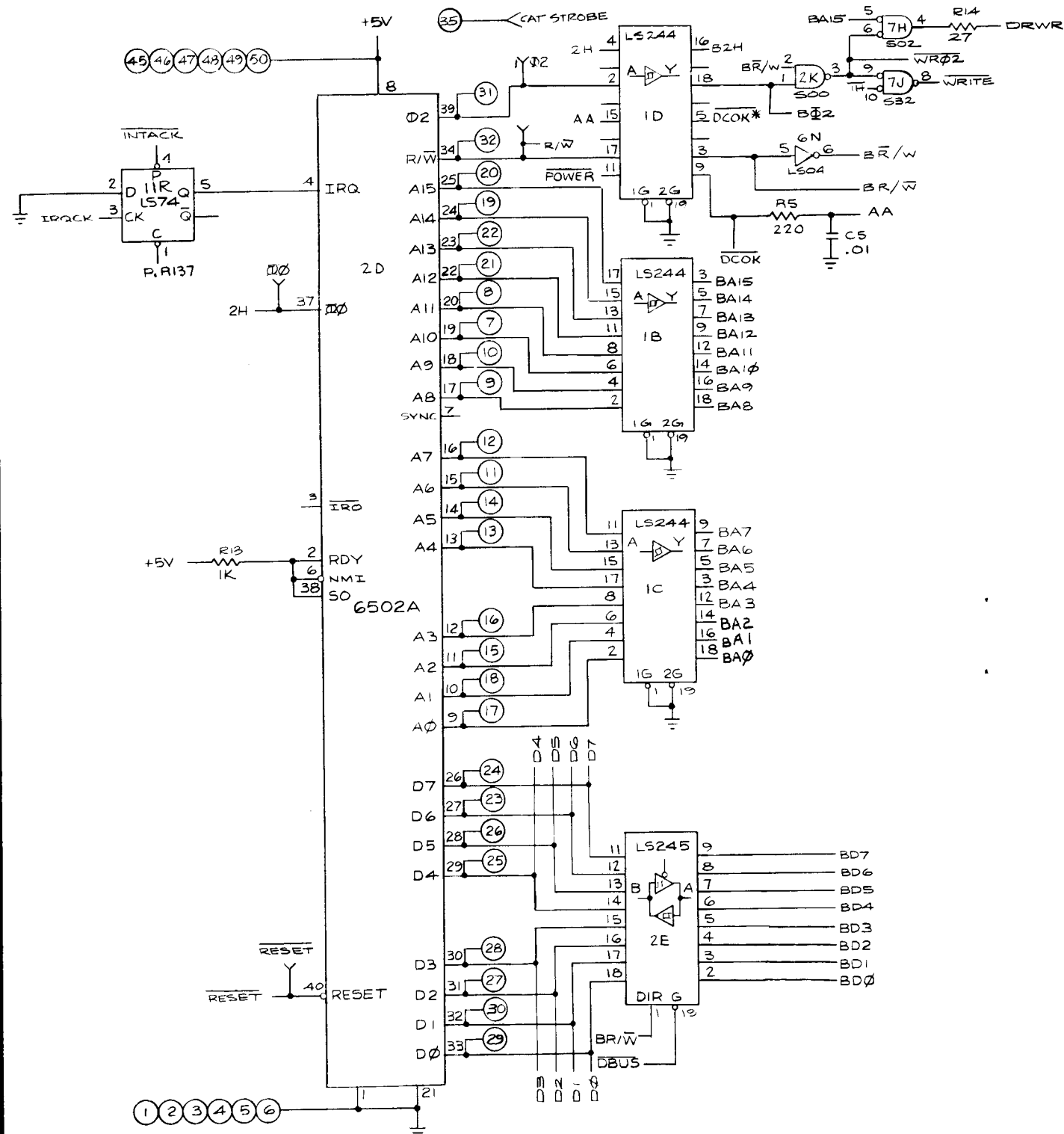
Crystal Castles PCB Schematic Diagram



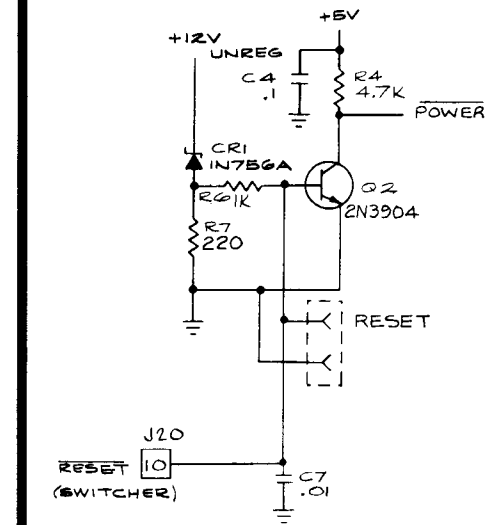
© ATARI INC. 1983

SP-241 Sheet 3B
2nd printing

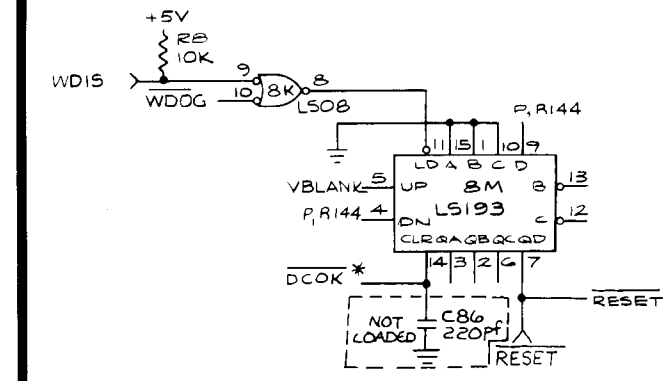
Microprocessor



Power-On Reset




Watchdog



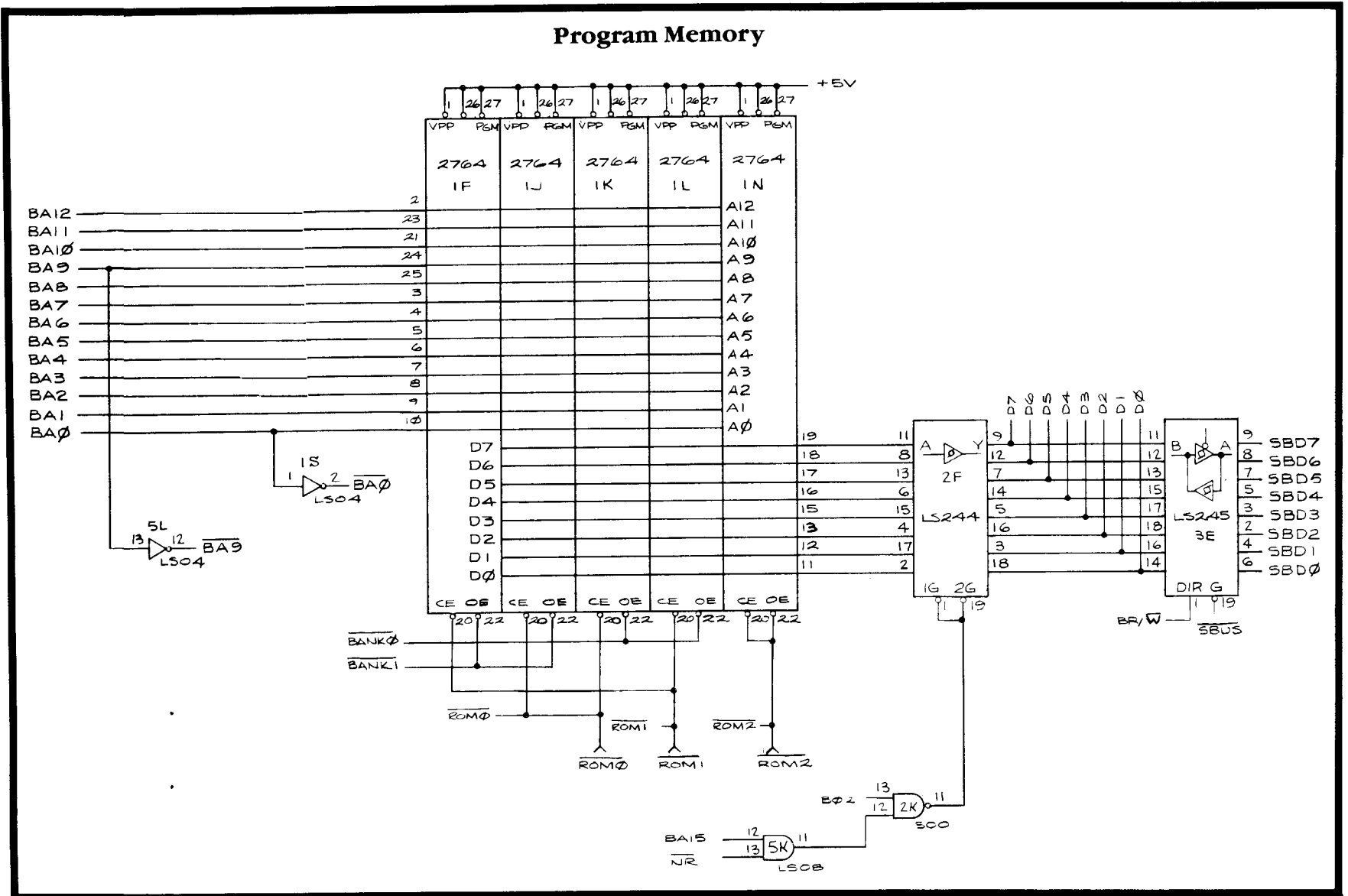
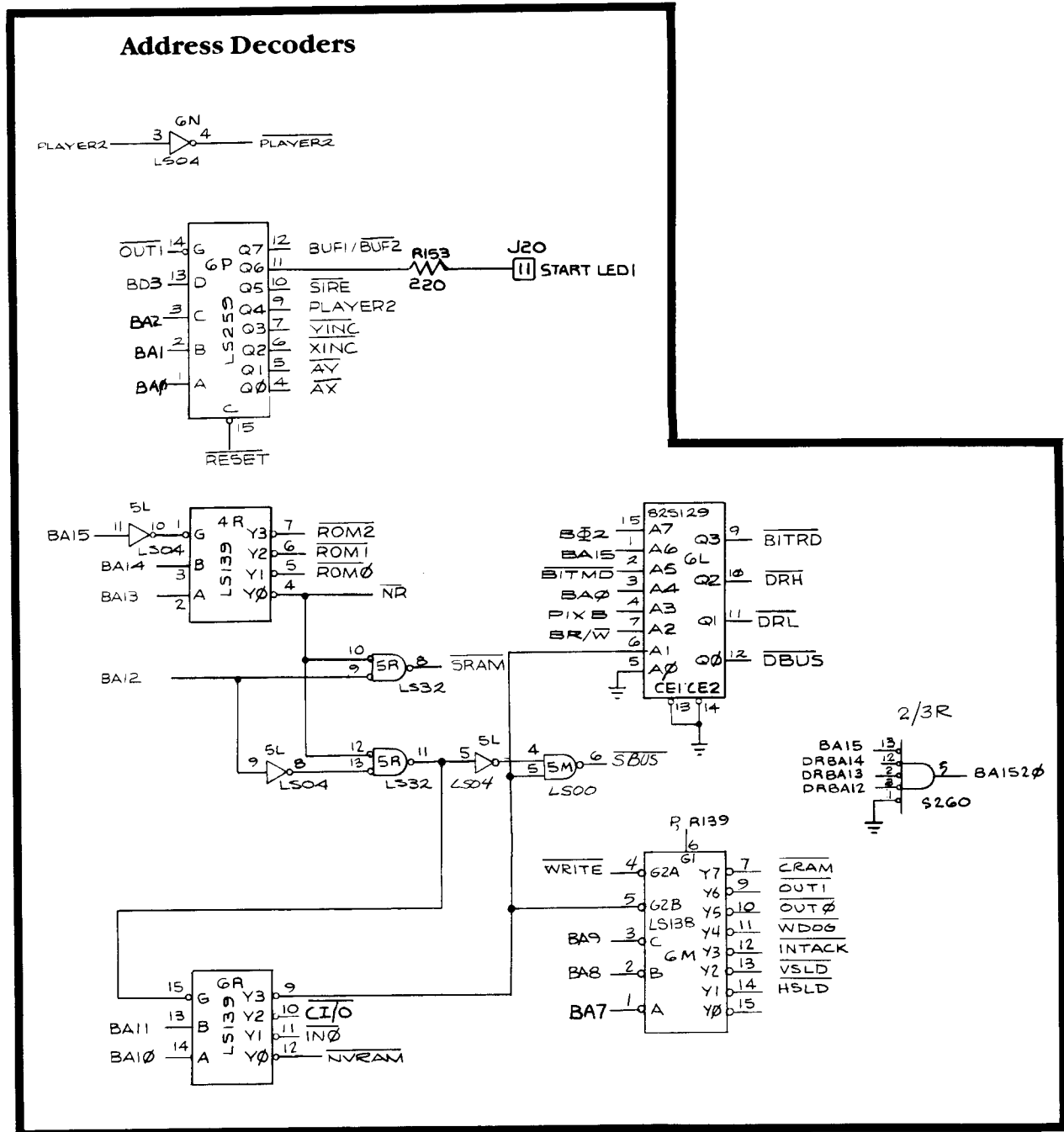
NOTICE TO ALL PERSONS RECEIVING THIS DRAWING
 CONFIDENTIAL: Reproduction forbidden without the specific written permission of Atari, Inc., Sunnyvale, CA. This drawing is only conditionally issued, and neither receipt nor possession thereof confers or transfers any right in, or license to use, the subject matter of the drawing or any design or technical information shown thereon, nor any right to reproduce this drawing or any part thereof. Except for manufacture by vendors of Atari, Inc., and for manufacture under the corporation's written license, no right is granted to reproduce this drawing or the subject matter thereof, unless by written agreement with or written permission from the corporation.

Crystal Castles PCB Schematic Diagram



© ATARI INC. 1983

SP-241 Sheet 4A
2nd printing

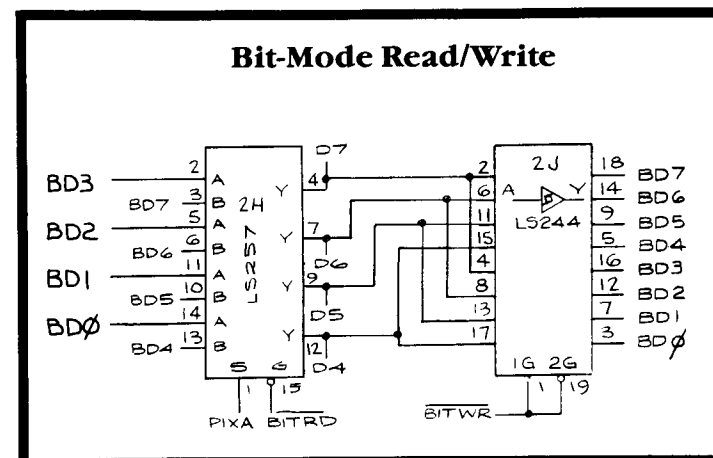
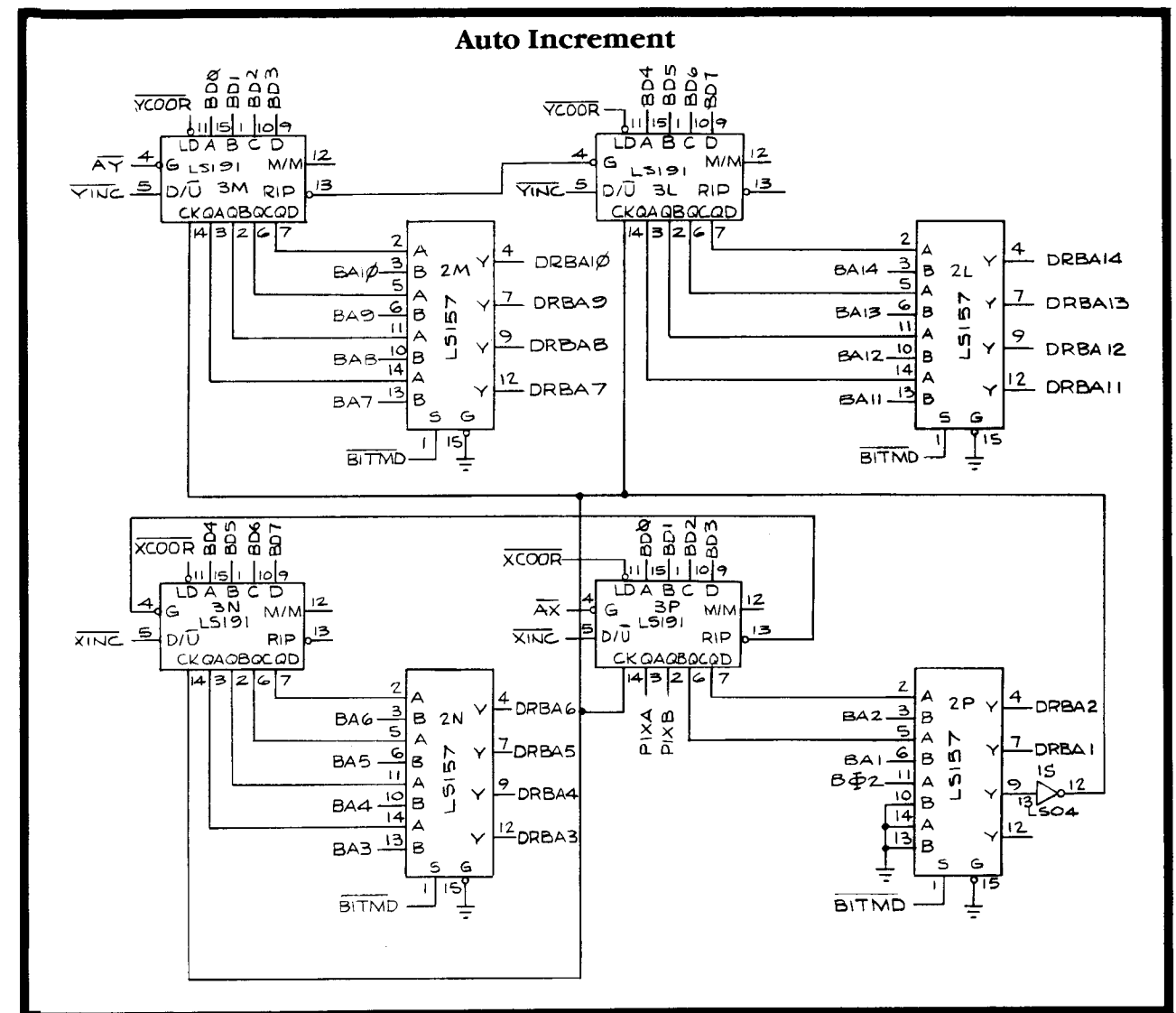
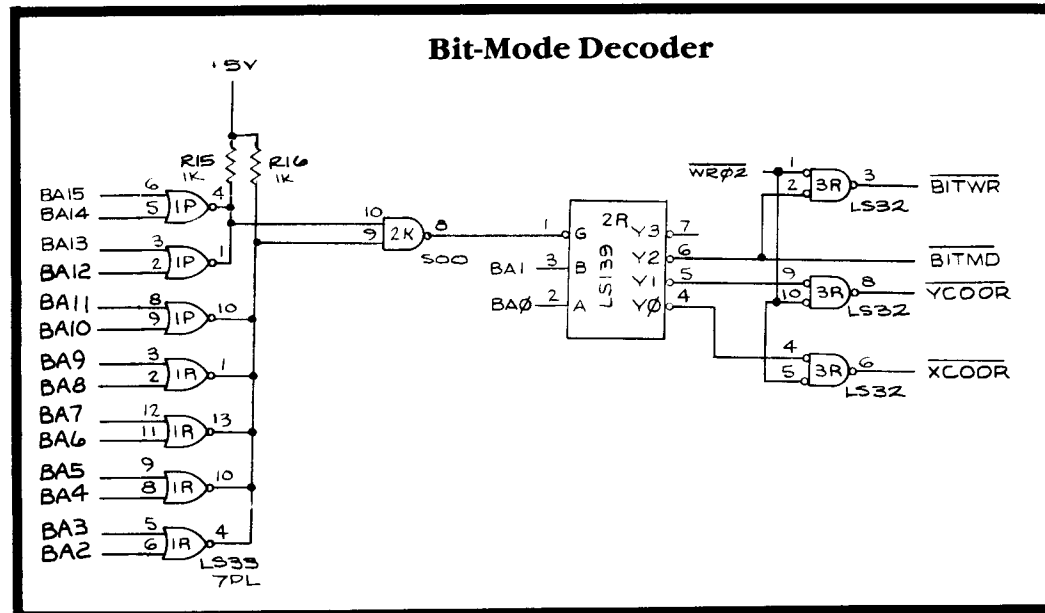


NOTICE TO ALL PERSONS RECEIVING THIS DRAWING
 CONFIDENTIAL. Reproduction forbidden without the specific written permission of Atari, Inc., Sunnyvale, CA. This drawing is only conditionally issued, and neither receipt nor possession thereof confers or transfers any right in, or license to use, the subject matter of the drawing or any design or technical information shown thereon, nor any right to reproduce this drawing or any part thereof. Except for manufacture by vendors of Atari, Inc., and for manufacture under the corporation's written license, no right is granted to reproduce this drawing or the subject matter thereof, unless by written agreement with or written permission from the corporation.

Crystal Castles PCB Schematic Diagram

© ATARI INC. 1983

SP-241 Sheet 4B
2nd printing



NOTICE TO ALL PERSONS RECEIVING THIS DRAWING
 CONFIDENTIAL: Reproduction forbidden without the specific written permission of Atari, Inc., Sunnyvale, CA. This drawing is only conditionally issued, and neither receipt nor possession thereof confers or transfers any right in, or license to use, the subject matter of the drawing or any design or technical information shown thereon, nor any right to reproduce this drawing or any part thereof. Except for manufacture by vendors of Atari, Inc., and for manufacture under the corporation's written license, no right is granted to reproduce this drawing or the subject matter thereof, unless by written agreement with or written permission from the corporation.

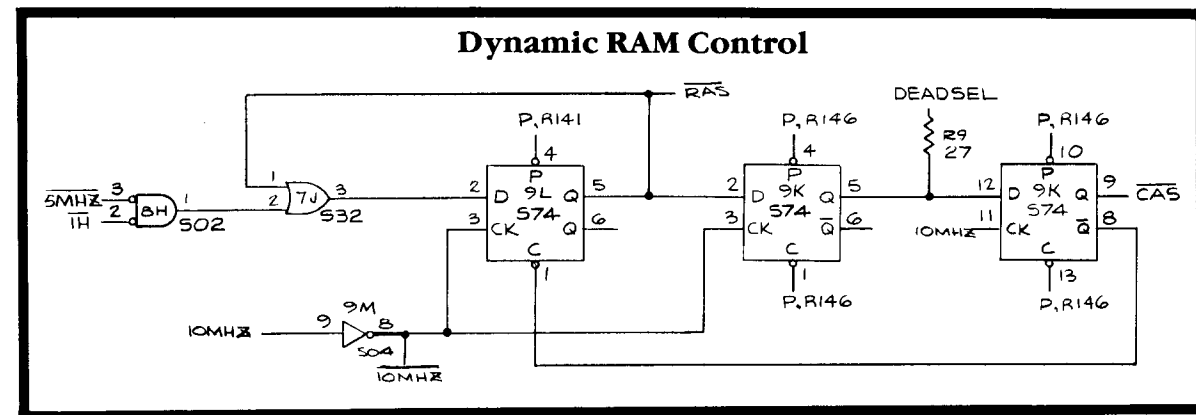
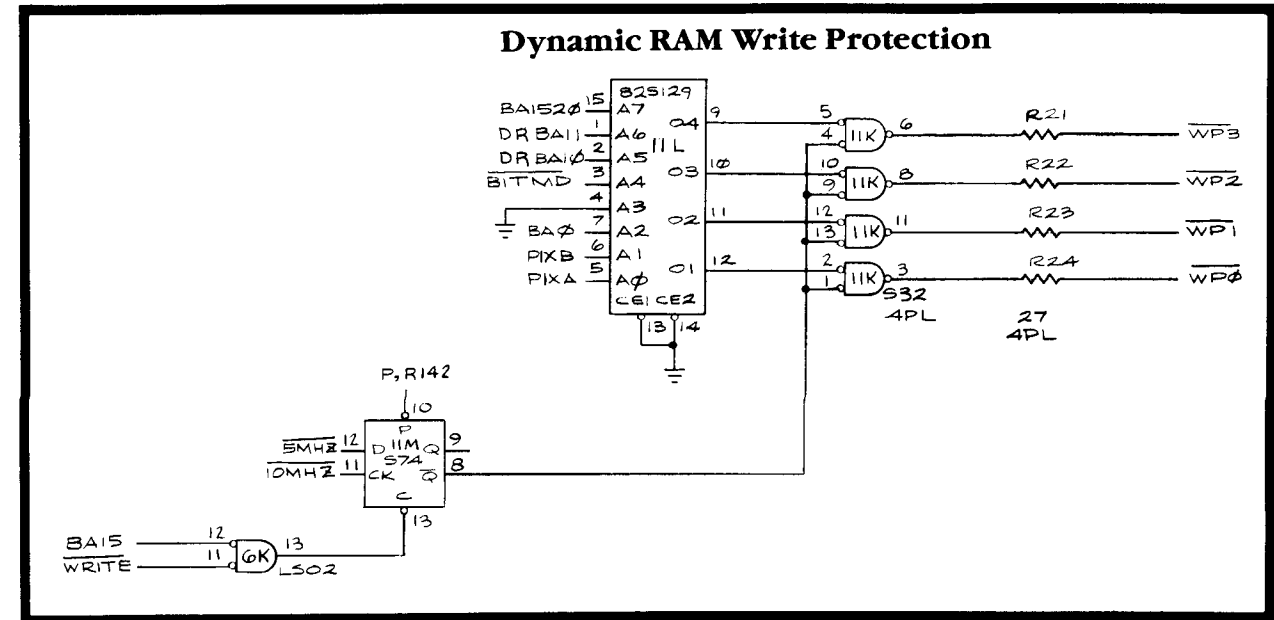
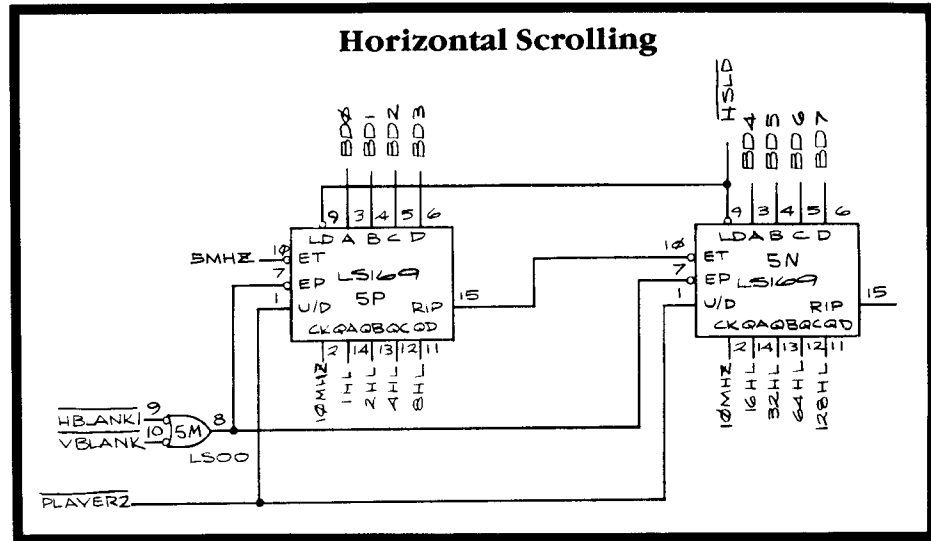
Crystal Castles PCB Schematic Diagram



© Atari Inc. 1983

© ATARI INC. 1983

SP-241 Sheet 5A
2nd printing



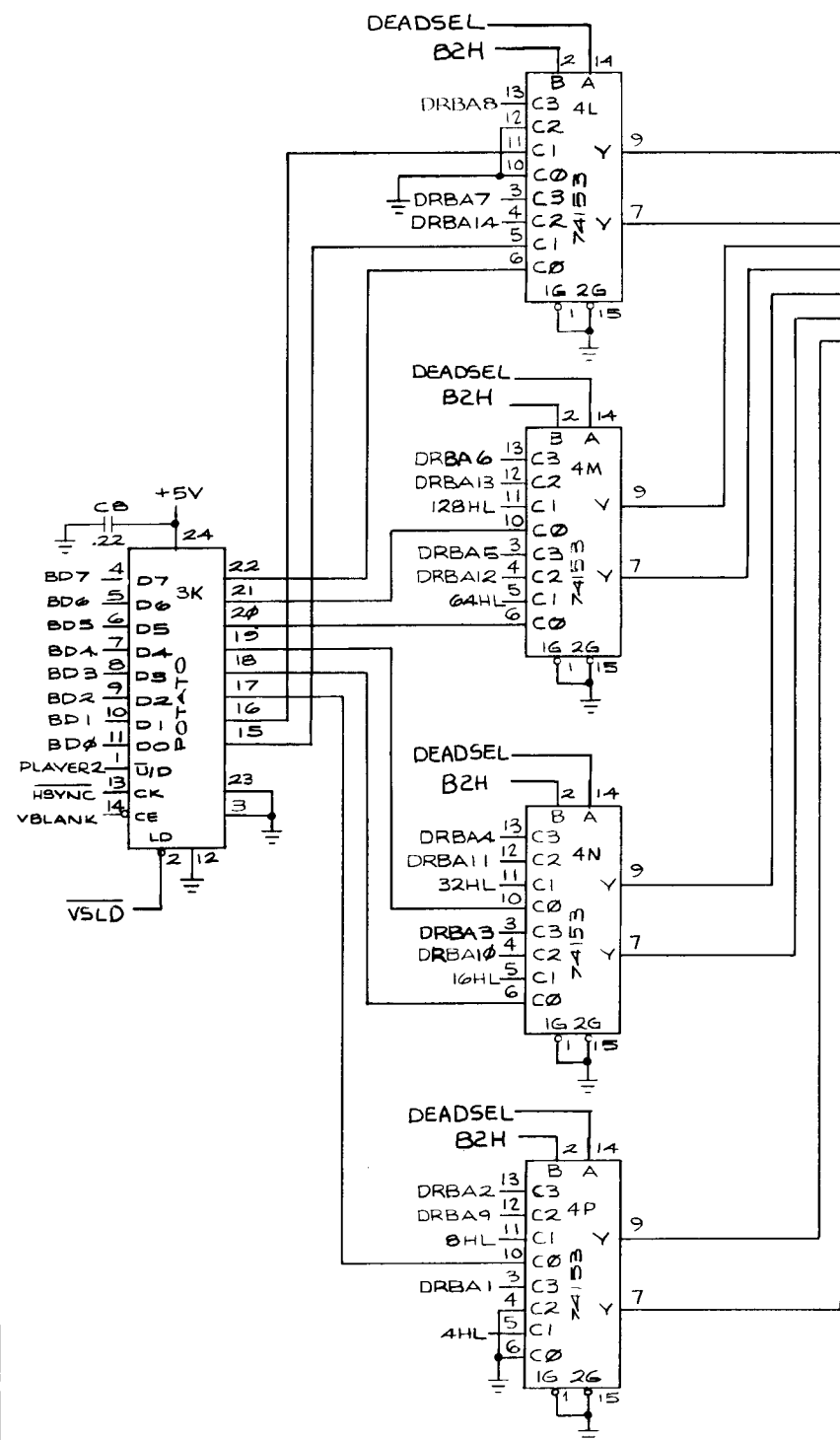
NOTICE TO ALL PERSONS RECEIVING THIS DRAWING
 CONFIDENTIAL: Reproduction forbidden without the specific written permission of Atari, Inc., Sunnyvale, CA. This drawing is only conditionally issued, and neither receipt nor possession thereof confers or transfers any right in, or license to use, the subject matter of the drawing or any design or technical information shown thereon, nor any right to reproduce this drawing or any part thereof. Except for manufacture by vendors of Atari, Inc., and for manufacture under the corporation's written license, no right is granted to reproduce this drawing or the subject matter thereof, unless by written agreement with or written permission from the corporation.

Crystal Castles PCB Schematic Diagram

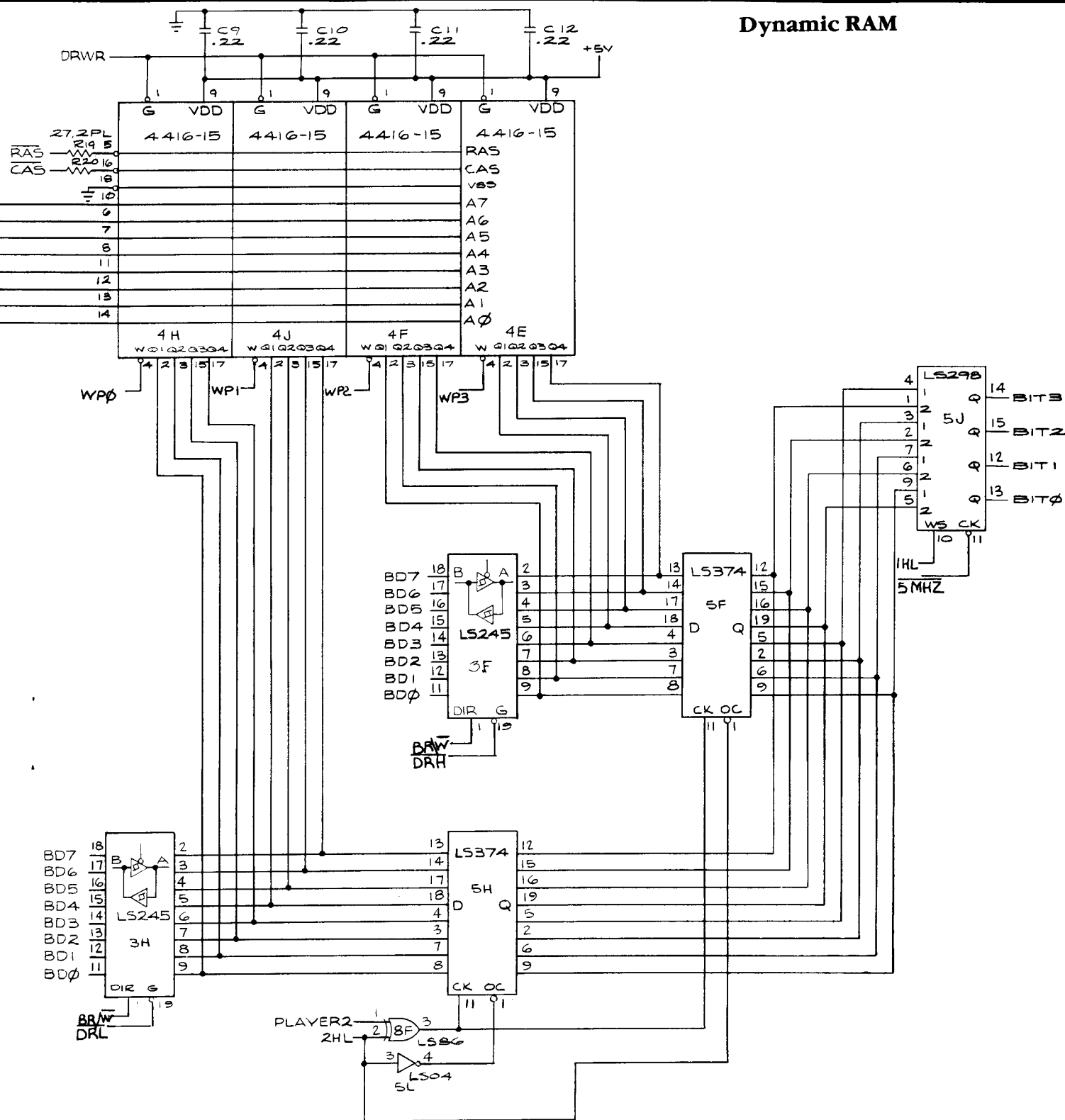
© ATARI INC. 1983

SP-241 Sheet 5B
2nd printing

Address Selectors




Dynamic RAM



NOTICE TO ALL PERSONS RECEIVING THIS DRAWING
 CONFIDENTIAL: Reproduction forbidden without the specific written permission of Atari, Inc., Sunnyvale, CA. This drawing is only conditionally issued, and neither receipt nor possession thereof confers or transfers any right in, or license to use, the subject matter of the drawing or any design or technical information shown thereon, nor any right to reproduce this drawing or any part thereof. Except for manufacture by vendors of Atari, Inc., and for manufacture under the corporation's written license, no right is granted to reproduce this drawing or the subject matter thereof, unless by written agreement with or written permission from the corporation.

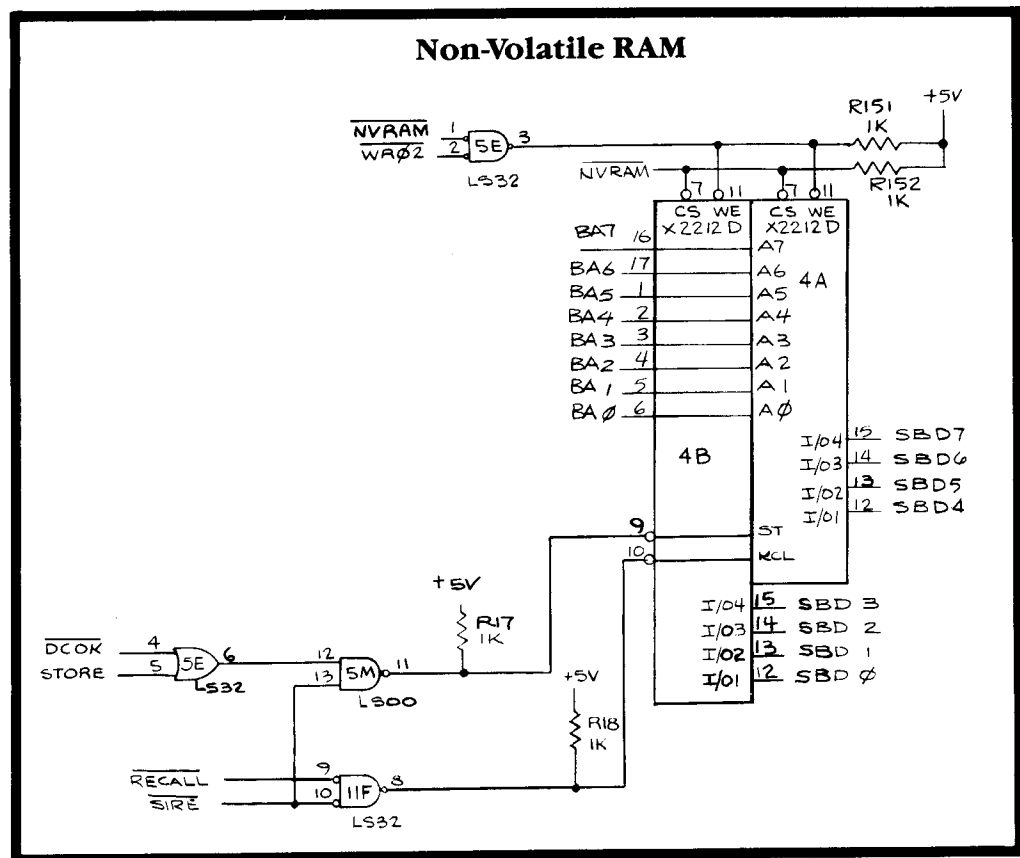
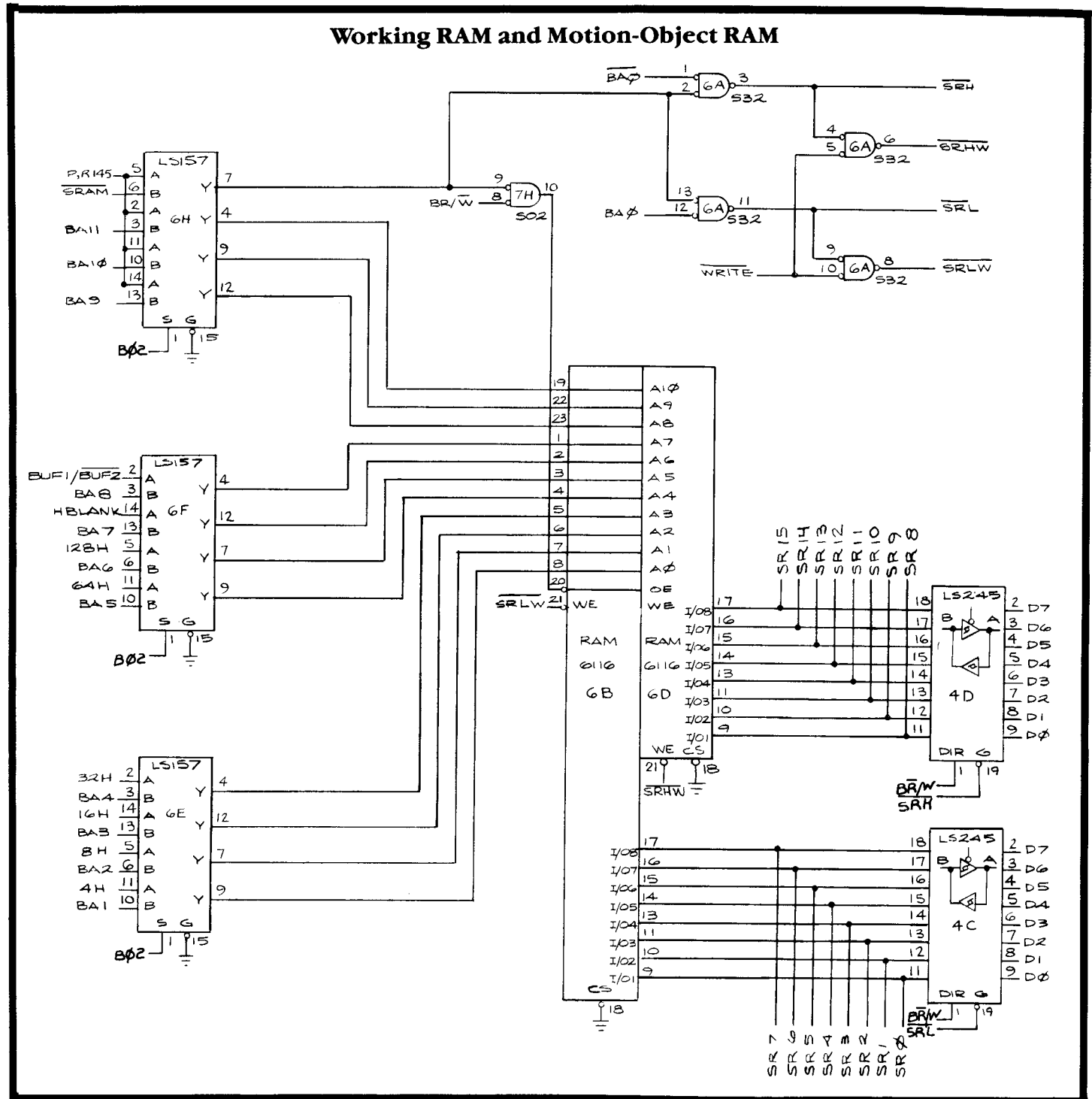
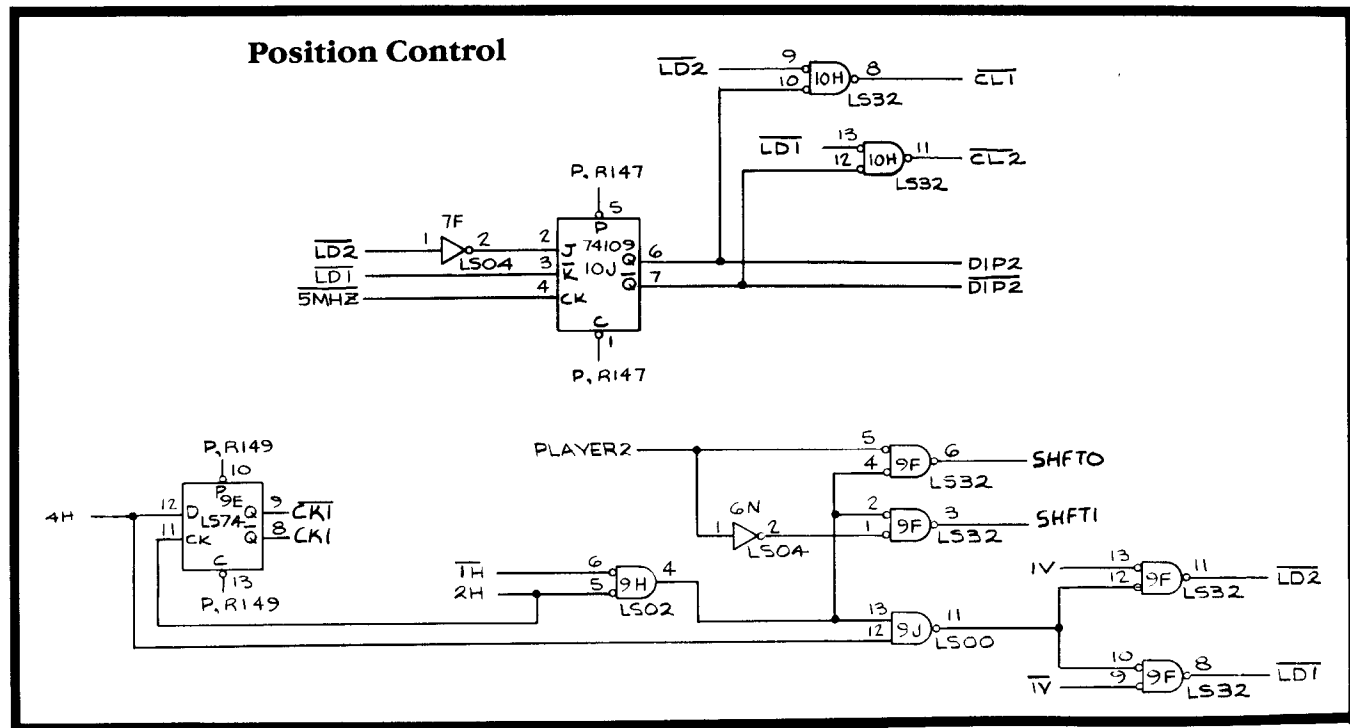
Crystal Castles PCB Schematic Diagram



© ATARI INC. 1983

SP-241 Sheet 6A
2nd printing

A Warner Communications Company



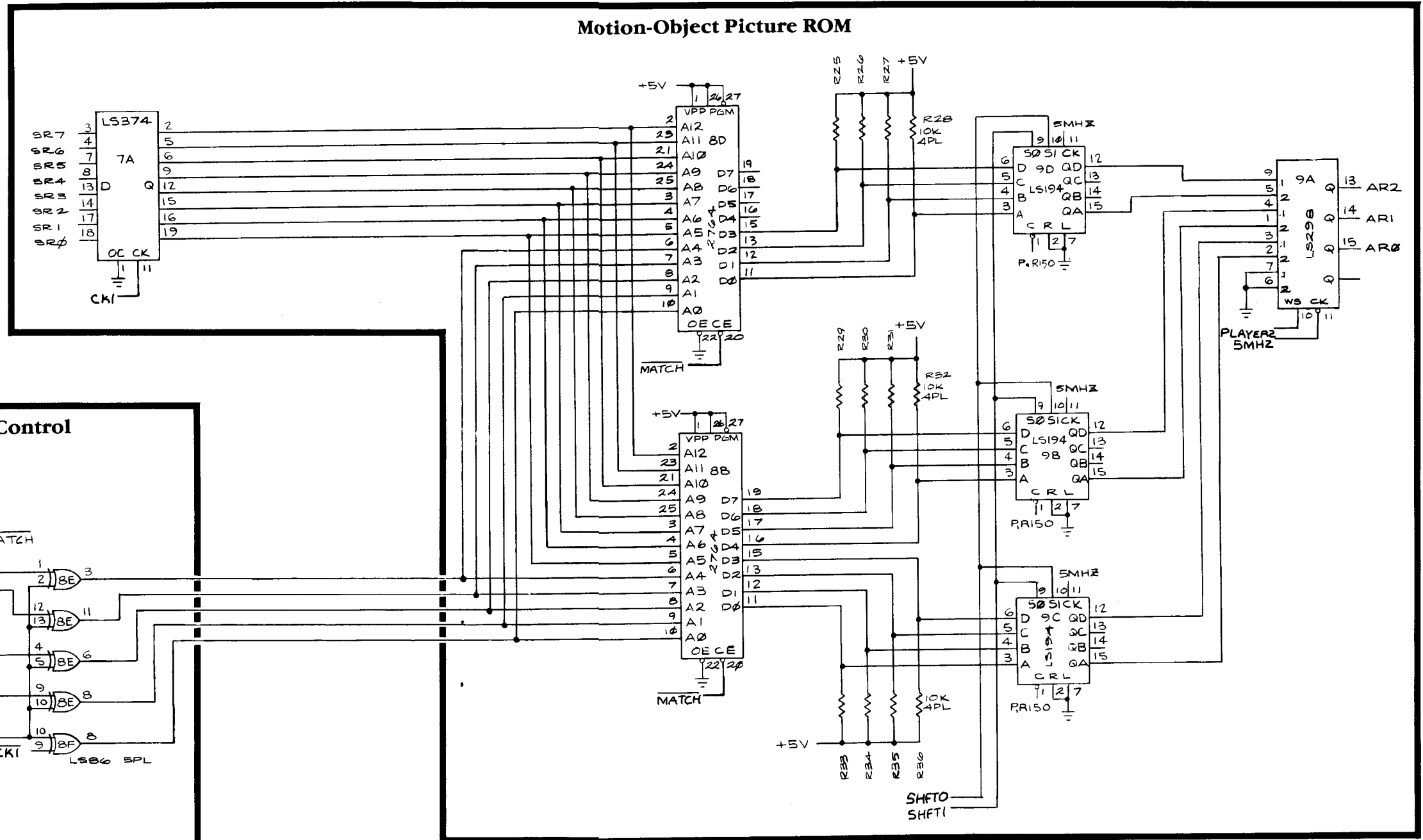
NOTICE TO ALL PERSONS RECEIVING THIS DRAWING
 CONFIDENTIAL: Reproduction forbidden without the specific written permission of Atari, Inc., Sunnyvale, CA. This drawing is only conditionally issued, and neither receipt nor possession thereof confers or transfers any right in, or license to use, the subject matter of the drawing or any design or technical information shown thereon, nor any right to reproduce this drawing or any part thereof. Except for manufacture by vendors of Atari, Inc., and for manufacture under the corporation's written license, no right is granted to reproduce this drawing or the subject matter thereof, unless by written agreement with or written permission from the corporation.

Crystal Castles PCB Schematic Diagram

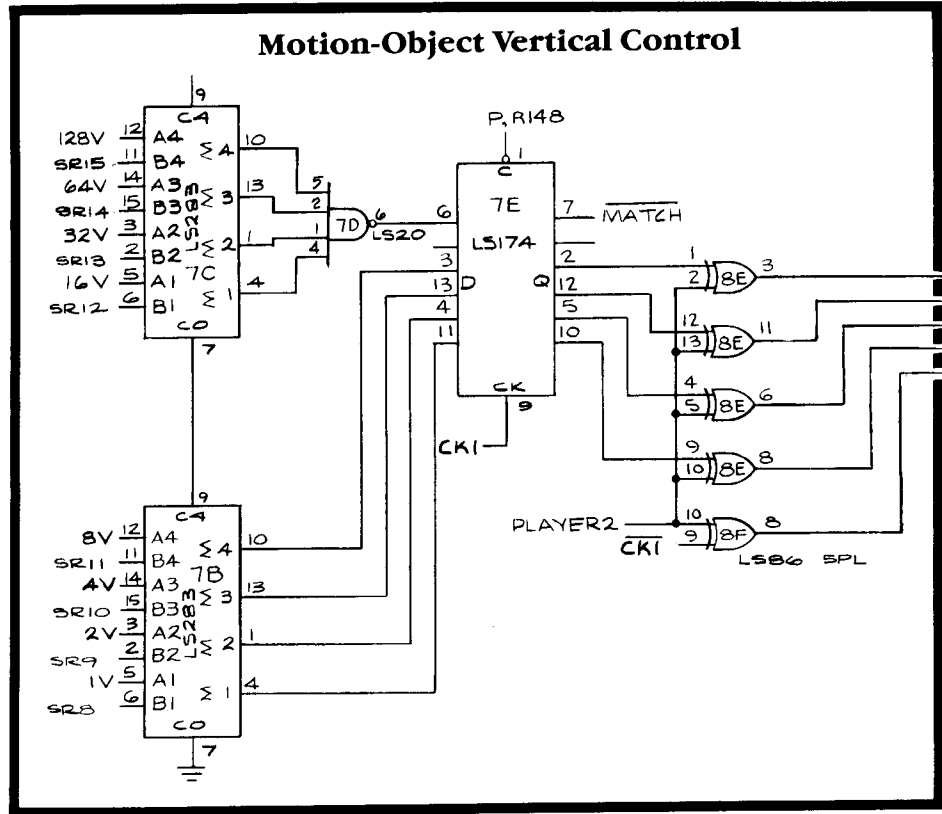
© ATARI INC. 1983

SP-241 Sheet 6B
2nd printing

Motion-Object Picture ROM



Motion-Object Vertical Control

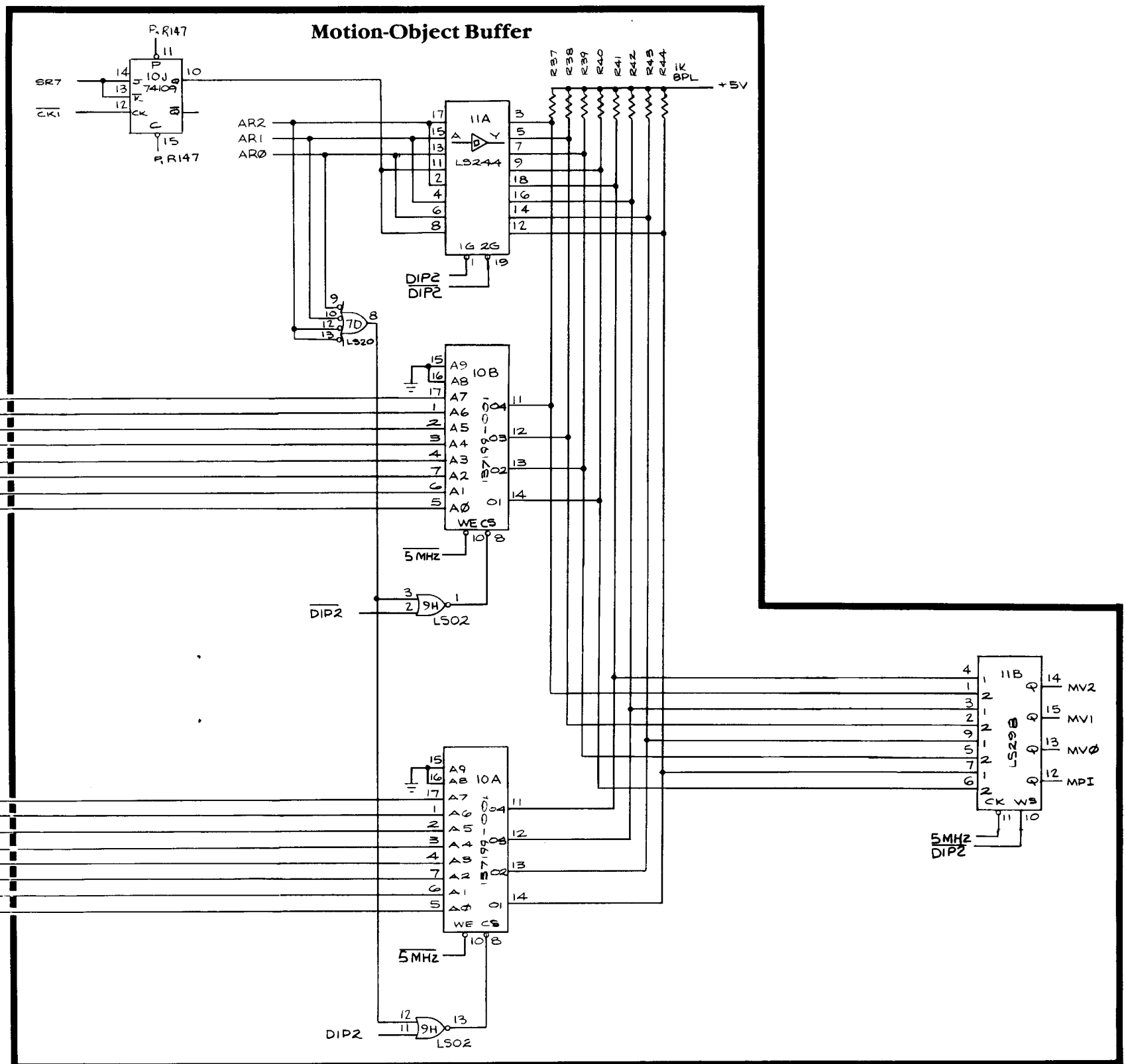
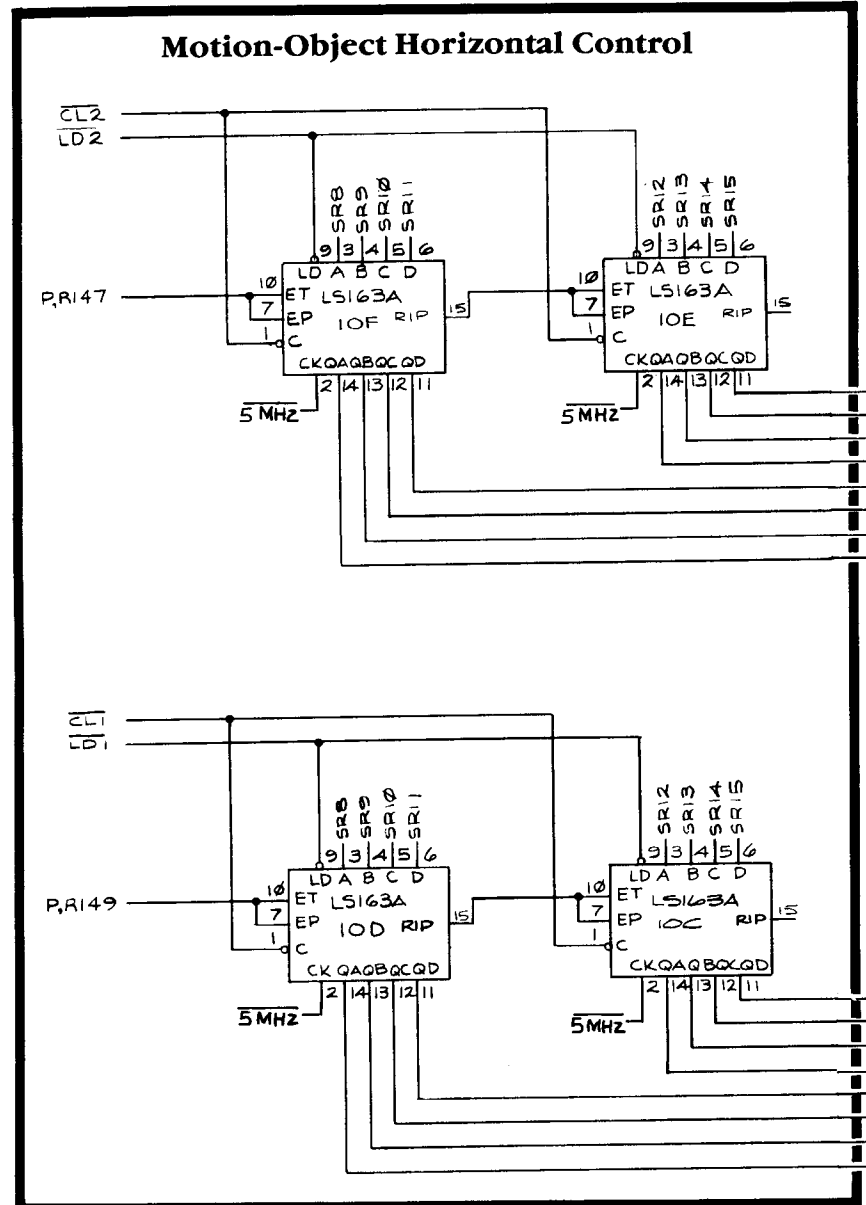


NOTICE TO ALL PERSONS RECEIVING THIS DRAWING
 CONFIDENTIAL: Reproduction forbidden without the specific written permission of Atari, Inc., Sunnyvale, CA. This drawing is only conditionally issued, and neither receipt nor possession thereof confers or transfers any right in, or license to use, the subject matter of the drawing or any design or technical information shown thereon, nor any right to reproduce this drawing or any part thereof. Except for manufacture by vendors of Atari, Inc., and for manufacture under the corporation's written license, no right is granted to reproduce this drawing or the subject matter thereof, unless by written agreement with or written permission from the corporation.

Crystal Castles PCB Schematic Diagram


© ATARI INC. 1983

SP-241 Sheet 7A
2nd printing



NOTICE TO ALL PERSONS RECEIVING THIS DRAWING
 CONFIDENTIAL: Reproduction forbidden without the specific written permission of Atari, Inc., Sunnyvale, CA. This drawing is only conditionally issued, and neither receipt nor possession thereof confers or transfers any right in, or license to use, the subject matter of the drawing or any design or technical information shown thereon, nor any right to reproduce this drawing or any part thereof. Except for manufacture by vendors of Atari, Inc., and for manufacture under the corporation's written license, no right is granted to reproduce this drawing or the subject matter thereof, unless by written agreement with or written permission from the corporation.

Crystal Castles PCB Schematic Diagram

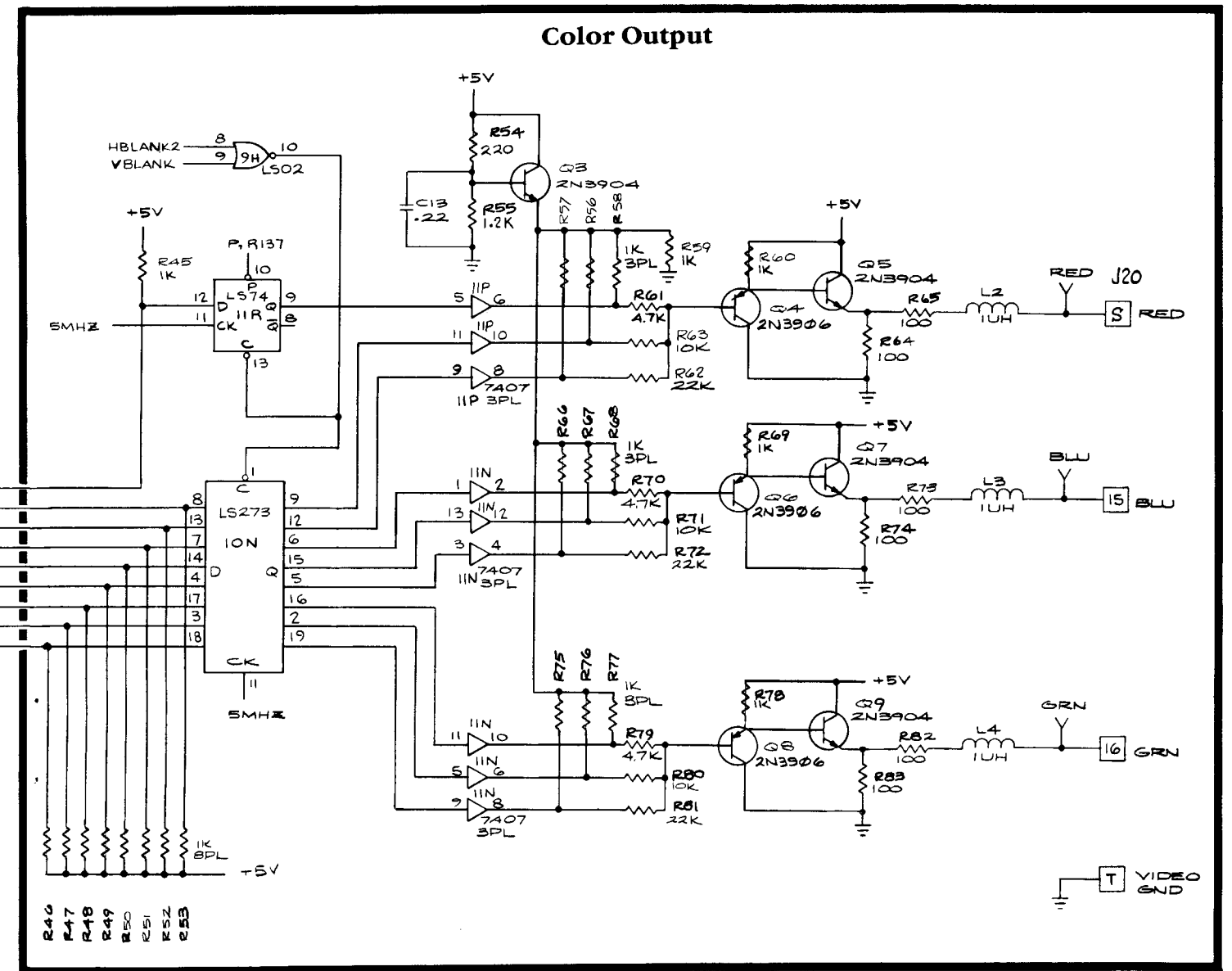
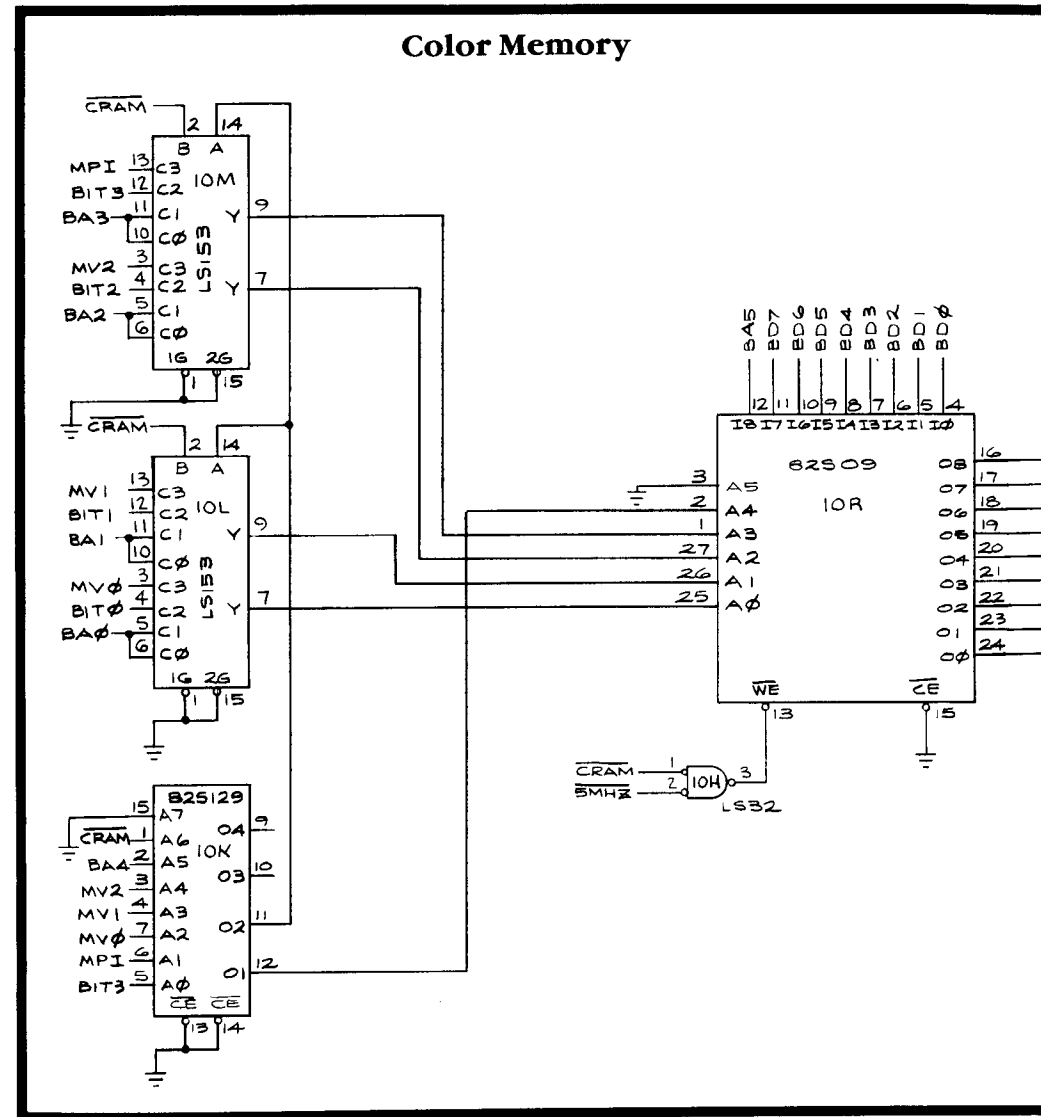


ATARI[®]

© ATARI INC. 1983


SP-241 Sheet 7B
2nd printing

A Warner Communications Company



NOTICE TO ALL PERSONS RECEIVING THIS DRAWING
 CONFIDENTIAL. Reproduction forbidden without the specific written permission of Atari, Inc., Sunnyvale, CA. This drawing is only conditionally issued, and neither receipt nor possession thereof confers or transfers any right in, or license to use, the subject matter of the drawing or any design or technical information shown thereon, nor any right to reproduce this drawing or any part thereof. Except for manufacture by vendors of Atari, Inc., and for manufacture under the corporation's written license, no right is granted to reproduce this drawing or the subject matter thereof, unless by written agreement with or written permission from the corporation.

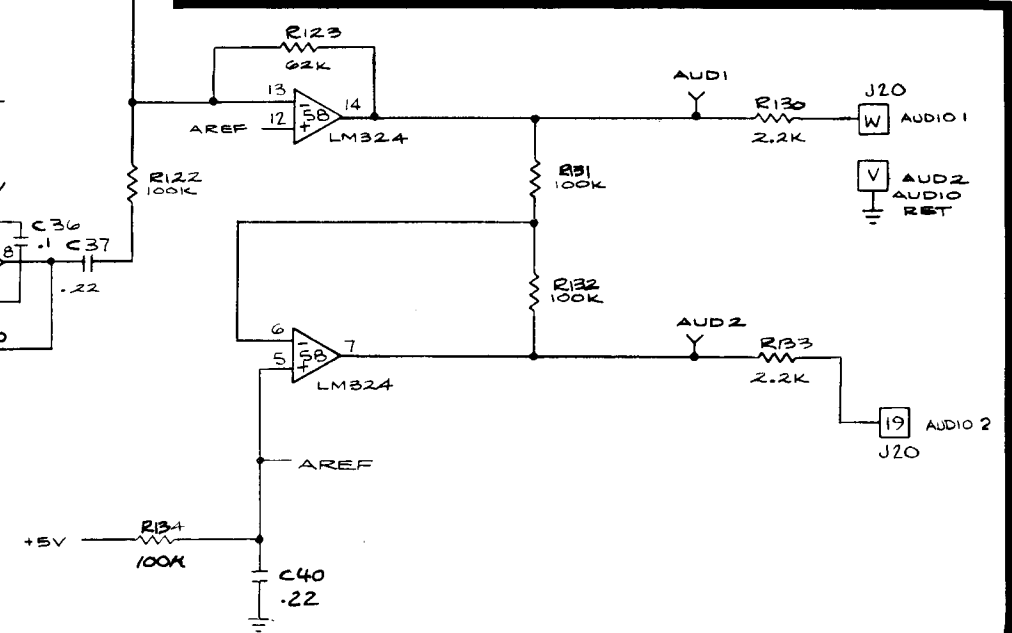
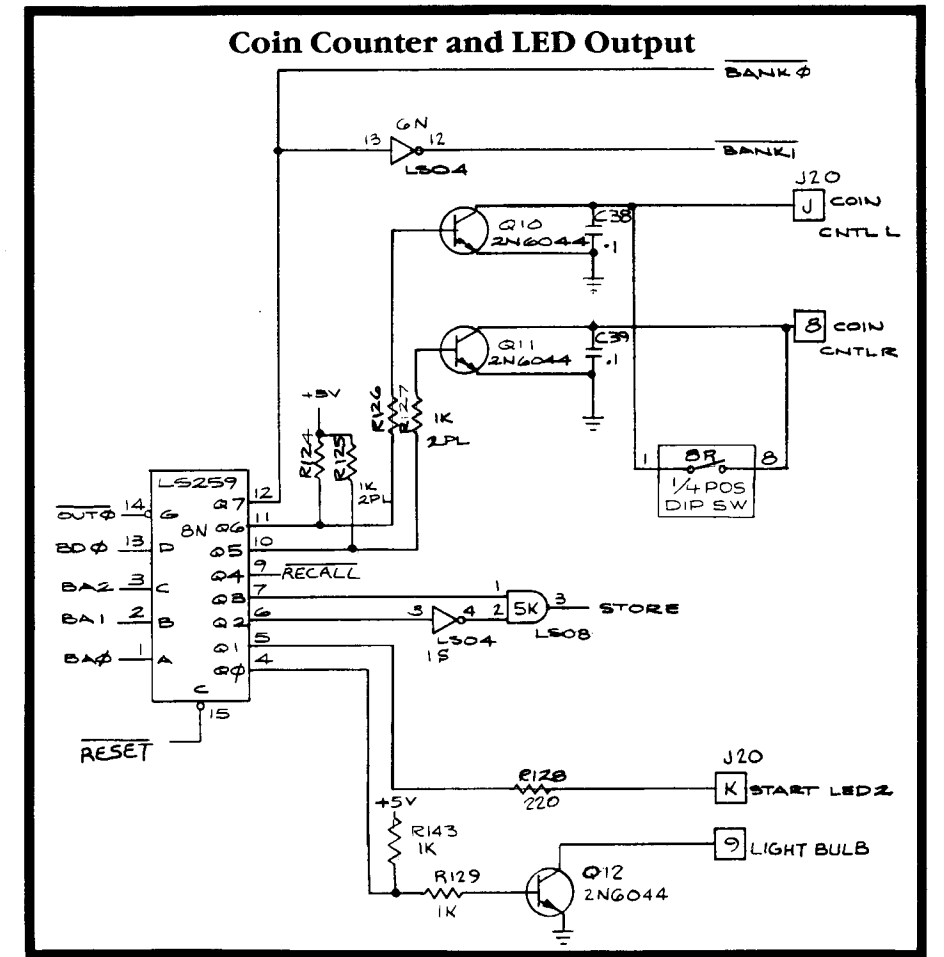
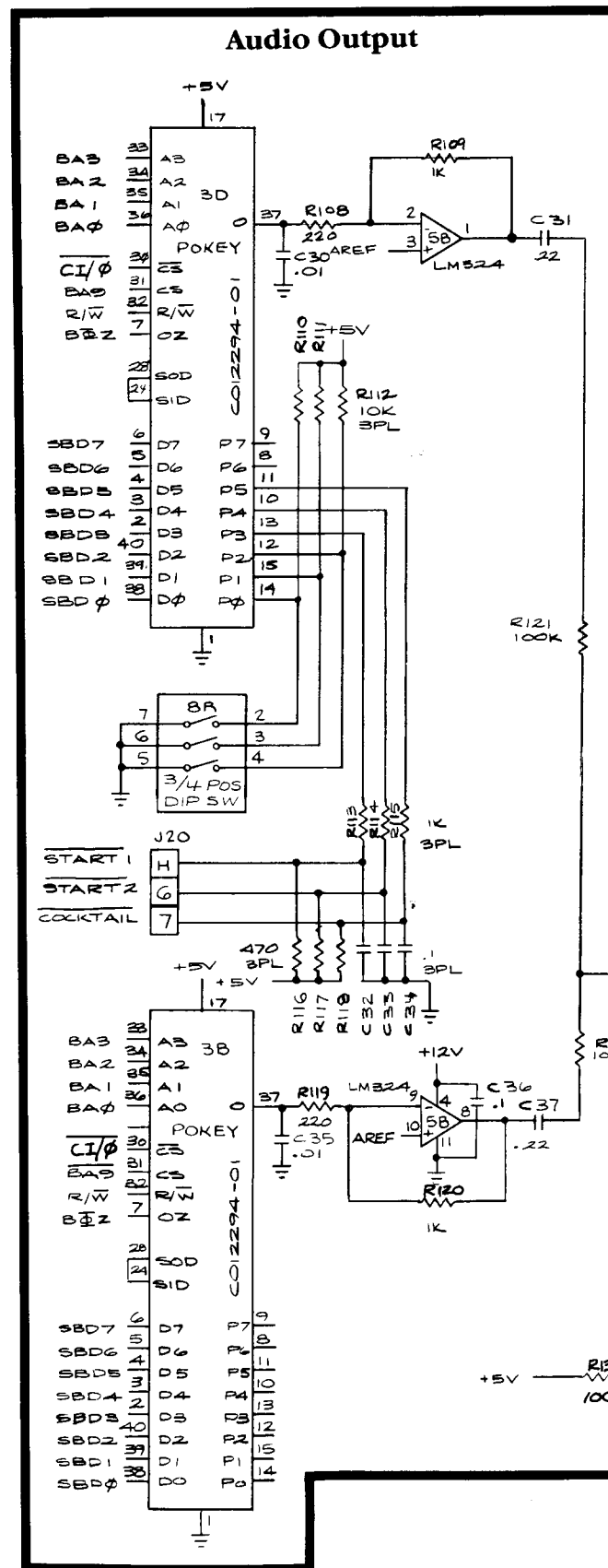
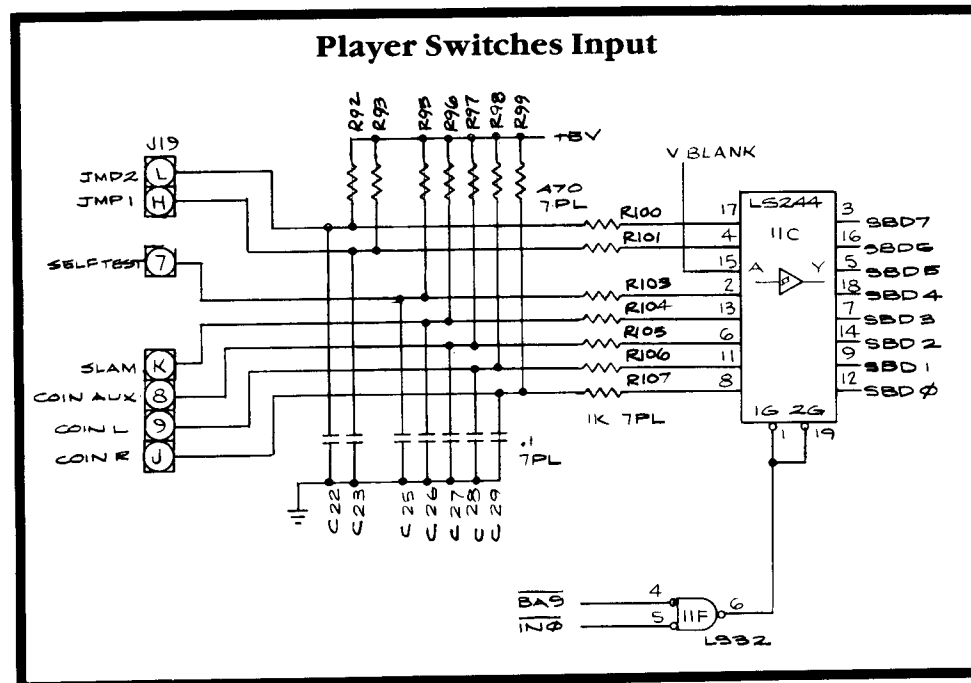
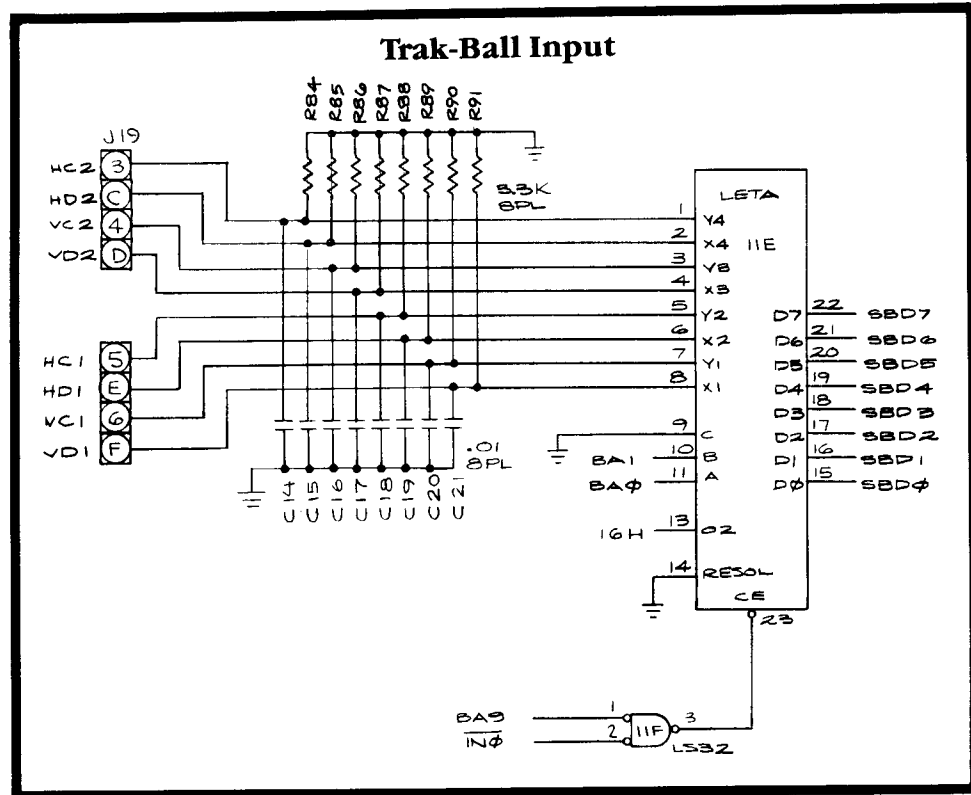
Crystal Castles PCB Schematic Diagram


ATARI[®]

© ATARI INC. 1983

SP-241 Sheet 8A
 2nd printing

A Warner Communications Company

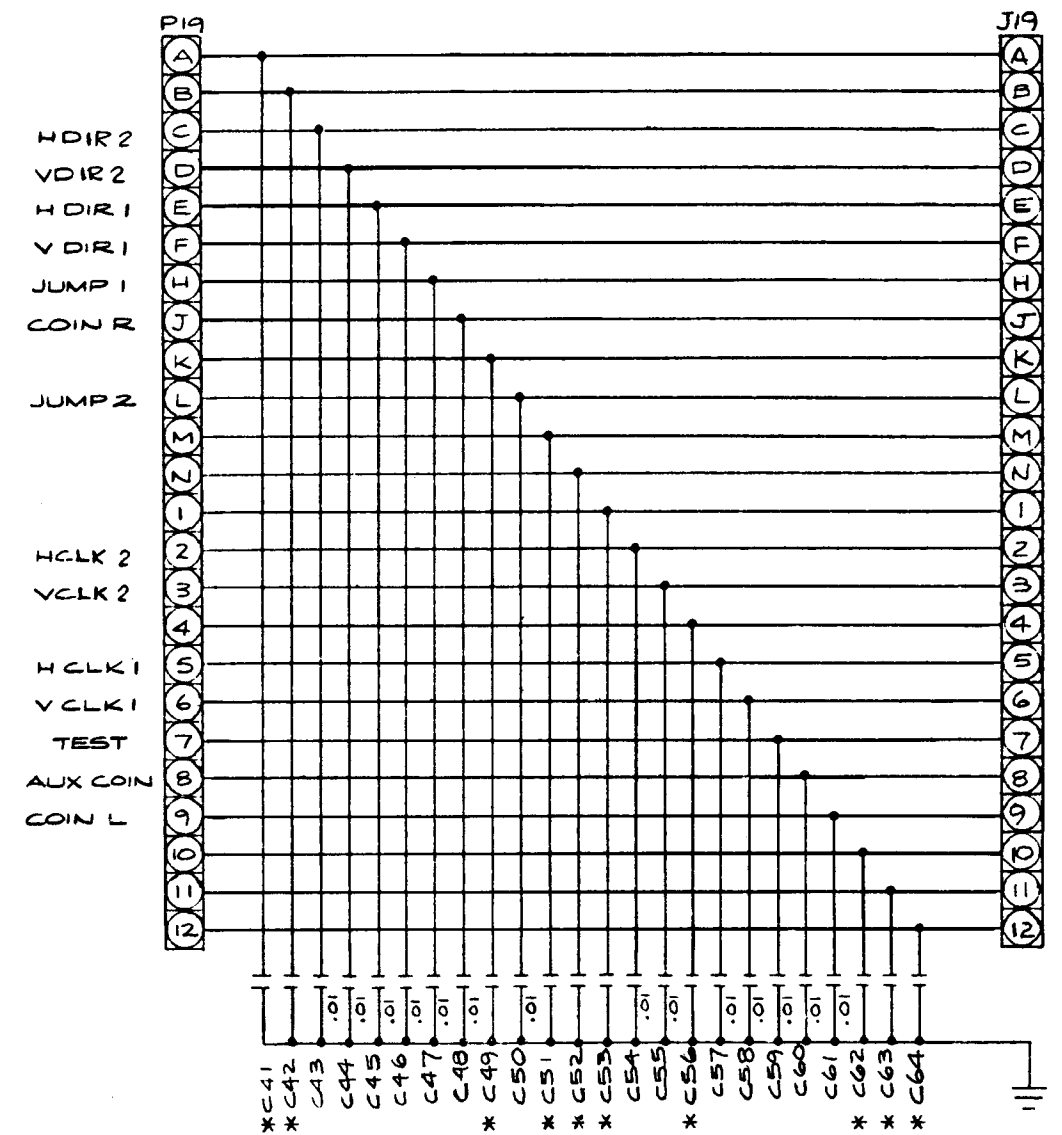
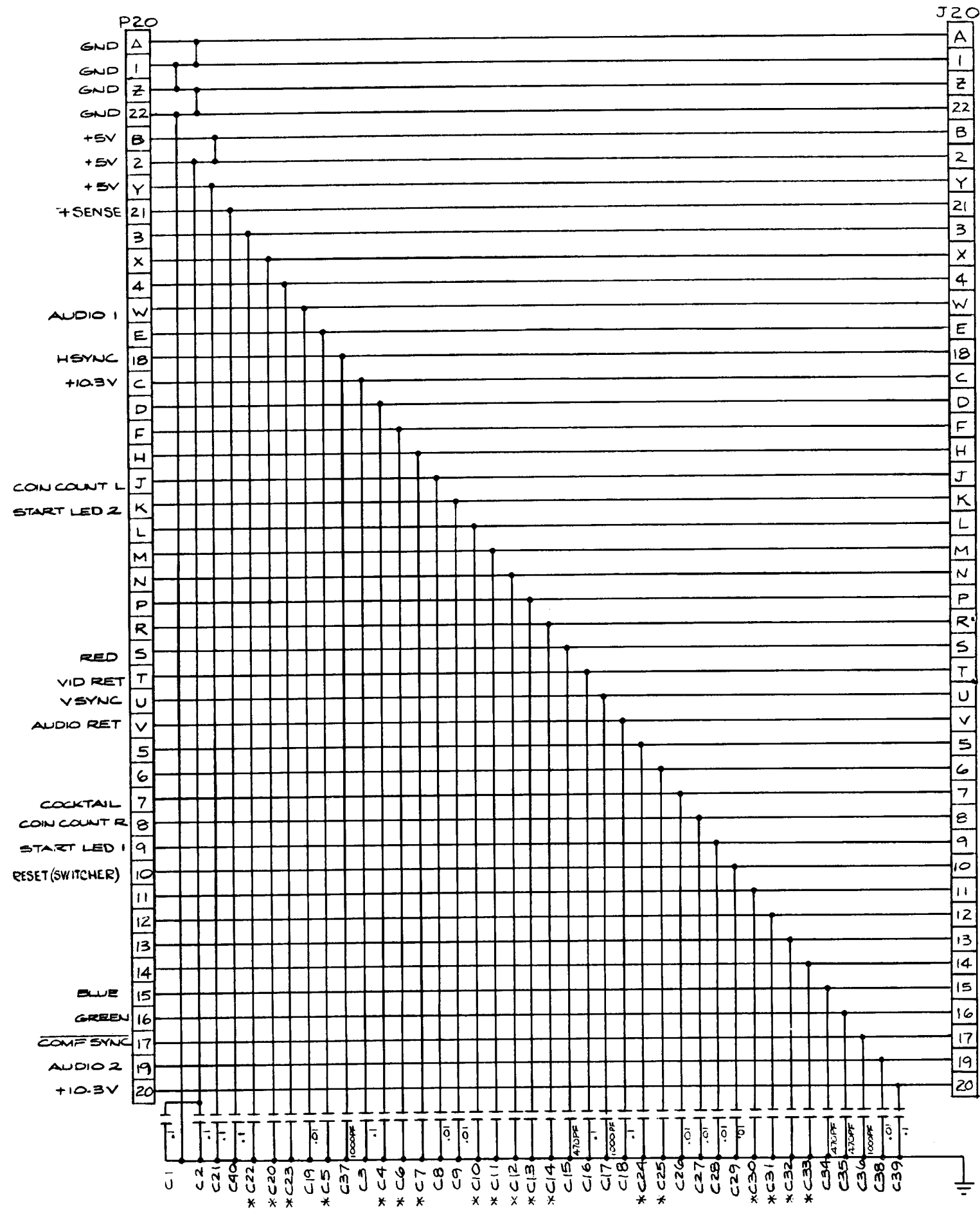


NOTICE TO ALL PERSONS RECEIVING THIS DRAWING
 CONFIDENTIAL: Reproduction forbidden without the specific written permission of Atari, Inc., Sunnyvale, CA. This drawing is only conditionally issued, and neither receipt nor possession thereof confers or transfers any right in, or license to use, the subject matter of the drawing or any design or technical information shown thereon, nor any right to reproduce this drawing or any part thereof. Except for manufacture by vendors of Atari, Inc., and for manufacture under the corporation's written license, no right is granted to reproduce this drawing or the subject matter thereof, unless by written agreement with or written permission from the corporation.

Crystal Castles PCB Schematic Diagram

© ATARI INC. 1983

SP-241 Sheet 8B
2nd printing



NOTES:

- 1. * DENOTES NOT LOADED CAPACITOR.

NOTICE TO ALL PERSONS RECEIVING THIS DRAWING

CONFIDENTIAL: Reproduction forbidden without the specific written permission of Atari, Inc., Sunnyvale, CA. This drawing is only conditionally issued, and neither receipt nor possession thereof confers or transfers any right in, or license to use, the subject matter of the drawing or any design or technical information shown thereon, nor any right to reproduce this drawing or any part thereof. Except for manufacture by vendors of Atari, Inc., and for manufacture under the corporation's written license, no right is granted to reproduce this drawing or the subject matter thereof, unless by written agreement with or written permission from the corporation.

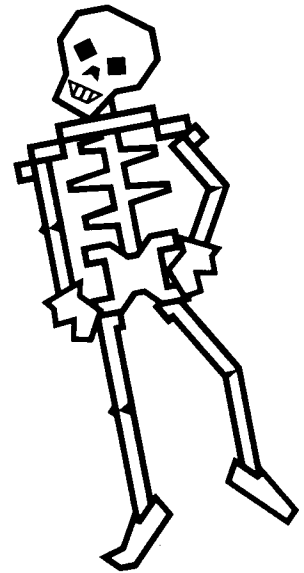
Crystal Castles EMI Shield PCB



A Warner Communications Company

© ATARI INC. 1983

SP-241 Sheet 9A
2nd printing



Crystal Castles™ Troubleshooting Guide



 A Warner Communications Company

7M

SP-241
1st printing

Crystal Castles™

Troubleshooting with the CAT Box

Troubleshooting with the Read/Write Controller

A. CAT Box Preliminary Set-Up

1. Remove the electrical power from the game and the CAT Box.
2. Remove the wiring harness from the game PCB.
3. Remove the game PCB from the game cabinet.
4. Remove Microprocessor 2C from the game PCB.
5. Connect the harness from the game to the game PCB.
6. Connect together the $\Phi 0$ and $\Phi 2$ test points on the game PCB with the shortest possible jumper.
7. Connect the \overline{WDDIS} test point to ground.
8. Connect the CAT Box flex cable to the game PCB edge test connector.
9. Apply power to the game and to the CAT Box.
10. Set CAT Box switches as indicated:
 - a. TESTER SELF-TEST: OFF
 - b. TESTER MODE: R/ \overline{W}
11. Press TESTER RESET.
12. Connect the DATA PROBE to the CAT Box. Connect the DATA PROBE ground clip to a game PCB ground test point.

B. Checking the Address Lines

1. Perform the CAT Box preliminary set-up.
2. Set CAT Box switches as indicated:
 - a. BYTES: 1
 - b. PULSE MODE: UNLATCHED
 - c. R/ \overline{W} MODE: (OFF)
 - d. R/ \overline{W} : READ
3. Key in the address pattern given in Table 1 (use AAAA to start) with the CAT Box keyboard.
4. Set R/ \overline{W} MODE to STATIC.
5. Probe each IC-pin listed in Table 1 with the DATA PROBE and check that the CAT Box 1 or 0 LED for the corresponding address line lights up.
6. Repeat parts 2-c through 5 using address 5555 in part 3.

Table 1 Address Lines

Logic State for Address AAAA	IC-Pin	Logic State for Address 5555
BA15 1	1B3	0
BA14 0	1B5	1
BA13 1	1B7	0
BA12 0	1B9	1
BA11 1	1B12	0
BA10 0	1B14	1
BA9 1	1B16	0
BA8 0	1B18	1
BA7 1	1C9	0
BA6 0	1C7	1
BA5 1	1C5	0
BA4 0	1C3	1
BA3 1	1C12	0
BA2 0	1C14	1
BA1 1	1C16	0
BA0 0	1C18	1

C. Checking the Data Lines

1. Perform the CAT Box preliminary set-up.
2. Set CAT Box switches as indicated:
 - a. BYTES: 1
 - b. R/ \overline{W} MODE: (OFF)
 - c. R/ \overline{W} : WRITE
3. Key in address 0000 with the keyboard.
4. Press DATA SET. Key in data AA with the keyboard.
5. Set R/ \overline{W} MODE to STATIC.
6. Probe each IC-pin listed in Table 2 with the DATA PROBE and check that the CAT Box 1 or 0 LED for the corresponding address line lights up.
7. Set R/ \overline{W} MODE to (OFF).
8. Repeat parts 4 through 6 using data 55 in part 4.

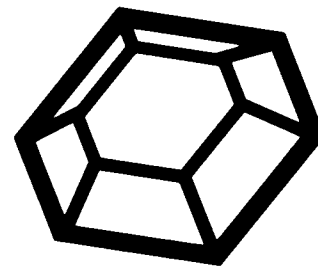
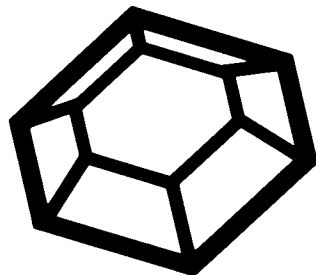


Table 2 Data Lines

Logic State for Data AA	IC-Pin	Logic State for Data 55
D7 1	2E-11	0
D6 0	2E-12	1
D5 1	2E-13	0
D4 0	2E-14	1
D3 1	2E-15	0
D2 0	2E-16	1
D1 1	2E-17	0
D0 0	2E-18	1
BD7 1	2E-9	0
BD6 0	2E-8	1
BD5 1	2E-7	0
BD4 0	2E-6	1
BD3 1	2E-5	0
BD2 0	2E-4	1
BD1 1	2E-3	0
BD0 0	2E-2	1

D. Checking the RAM

1. Perform the CAT Box preliminary set-up.
2. Set CAT Box switches as indicated:
 - a. DBUS SOURCE: ADDR
 - b. BYTES:1024
 - c. R/W MODE: (OFF)
 - d. R/W: WRITE
3. Enter address 0003 with the keyboard.
4. Set the CAT Box switches as indicated:
 - a. R/W MODE to PULSE and back to (OFF)
 - b. R/W to READ
 - c. R/W MODE to PULSE and back to (OFF)
5. If the CAT Box reads an address that doesn't compare with that written, the COMPARE ERROR LED will light up. The ADDRESS/SIGNATURE display of the CAT Box will show the failing address location and the ERROR DATA DISPLAY switch is enabled. Using this switch, determine if the error is in the high-order or low-order RAM.
6. Repeat this test with DBUS SOURCE set to ADDR.
7. Set the CAT Box switches as indicated:
 - a. BYTES: 256
 - b. DBUS SOURCE: ADDR
 - c. R/W: (OFF)
 - d. R/W: WRITE
8. Repeat parts 5 through 6 to check addresses from 1000 through 8FFF.

NOTE

The two custom audio I/O chips must be tested separately by performing the self-test, substituting a known good part, or performing the following procedure.

E. Checking the Custom Audio I/O Chips

1. Perform the CAT Box preliminary set-up.
2. Set CAT Box switches as indicated:
 - a. BYTES: 1
 - b. R/W: WRITE
 - c. R/W MODE: (OFF)
3. Enter the address from Table 3 with the keyboard.
4. Press DATA SET and enter the data from Table 3 with the keyboard.
5. Set R/W to PULSE and back to (OFF).
6. Repeat parts 3 through 5 for each address and data listed in Table 3. Check for the response indicated.

Table 3 Custom Audio I/O Chips

Address	Data	Test Results
98	00	Custom Audio I/O Chip 4D channel 1 produces pure tone.
98	03	
98	55	
98	AF	
98	00	Custom Audio I/O Chip 4D channel 1 turns off.
98	55	Custom Audio I/O Chip 4D channel 2 produces pure tone.
98	AF	
98	00	Custom Audio I/O Chip 4D channel 2 turns off.
9A	00	Custom Audio I/O Chip 4B channel 1 produces pure tone.
9A	03	
9A	55	
9A	AF	
9A	00	Custom Audio I/O Chip 4B channel 1 turns off.
9A	55	Custom Audio I/O Chip 4B channel 2 produces pure tone.
9A	AF	
9A	00	Custom Audio I/O Chip 4B channel 2 turns off.

F. Checking the Player Switch, Option Switch, and Trak-Ball™ Inputs

1. Perform the CAT Box preliminary set-up.
2. Set CAT Box switches as indicated:
 - a. BYTES: 1
 - b. R/W: WRITE
 - c. R/W MODE: (OFF)
3. Enter address 9600 with the keyboard.
4. Press DATA SET and enter data FF with the keyboard.
5. Set R/W to PULSE and back to (OFF).
6. For each entry listed in Table 4, do the following:
 - a. Set R/W MODE to (OFF).
 - b. Set R/W WRITE.
 - c. Enter the first address with the keyboard.
 - d. Press DATA SET and enter the data for that address with the keyboard.
 - e. Set R/W MODE to PULSE and back to (OFF).
 - f. Set R/W to READ.
 - g. Enter the next address.
 - h. Set R/W MODE to STATIC.
 - i. Activate the input switch or signal indicated in Table 4 and check the test result.
 - j. Set R/W MODE to (OFF).
 - k. Repeat parts g through j for each subsequent address given for the entry.

Table 4 Player Switches, Option Switches, and Trak-Ball™ Inputs

Address	Input Switches/Signals	Test Results
9400	Trak-Ball™ VERT	
9401	Trak-Ball™ HORIZ	
9402	Trak-Ball™ VERT (Player 2)	
9403	Trak-Ball™ HORIZ (Player 2)	
9600	D0 COIN R D1 COIN L D2 COIN AUX D3 SLAM D4 SELF TEST D5 SPARE D6 JMP1 D7 JMP2	
00-9A0B	SW2 D0 SW3 D1 SW4 D2	Read switches at address 9A08. DATA display changes when any of these switches or signals are activated.

G. Checking the Coin Counter and Trak-Ball Light

1. Perform the CAT Box preliminary set-up.
2. Set CAT Box switches as indicated:
 - a. DBUS SOURCE: DATA
 - b. BYTES: 1
 - c. R/W: WRITE
 - d. R/W MODE: (OFF)
3. Enter the address in Table 5 with the keyboard.

CAUTION
If you write ON data to activate a solenoid, *deactivate the solenoid immediately* by writing the OFF data. If you leave a solenoid activated for more than 10 seconds, you may have to replace the solenoid and/or its driver, due to overheating.

4. For each address listed in Table 5, do the following:
 - a. To activate the output:
 - Press DATA SET.
 - Enter the ON data with the keyboard.
 - Set R/W MODE to STATIC and back to (OFF).
 - b. To deactivate the output:
 - Press DATA SET.
 - Enter the OFF data with the keyboard.
 - Set R/W MODE to STATIC and back to (OFF).

Table 5 LED and Coin Counter Outputs

Address	On Data	Off Data	Output Device
9E86	FF	00	Left Coin Counter
9E85	FF	00	Right Coin Counter
9E80	FF	00	Trak-Ball™ Light



Troubleshooting the Watchdog Circuit

The Watchdog circuit will send continuous reset pulses to the microprocessor if a problem exists within the microprocessor circuit. If the self-test fails to run, it is a good practice to check the $\overline{\text{RESET}}$ line.

$\overline{\text{RESET}}$ is a microprocessor input (pin 40). In a properly operating game, reset should occur during power-up or when the $\overline{\text{RESET}}$ test point is grounded. A pulsing $\overline{\text{RESET}}$ line indicates that something is causing the microprocessor to lose its place within the program. Typical causes are:

1. Open or shorted address or data bus lines.

2. Bad microprocessor chip.
3. Bad bus buffers.
4. Bad ROM.
5. Bad RAM.
6. Any bad input or output that causes an address or data line to be held in a constant high or low state.

A pulsing $\overline{\text{RESET}}$ signal indicates a problem exists somewhere within the microprocessor circuitry. To aid in troubleshooting, the $\overline{\text{WDDIS}}$ test point can be connected to a ground test point to prevent resets. This will sometimes allow the Self-Test to be used to diagnose the failure during a $\overline{\text{RESET}}$ condition.

