

Supplement to

# CRYSTAL CASTLES™

**Operators Manual (TM-241, 1st printing)  
and Schematic Package (SP-241, 1st printing)**

This Supplement contains Crystal Castles cocktail game information and is intended to be used with the game manual (TM-241). The specific portions of TM-241 affected by the changes are referenced in this Supplement.





 A Warner Communications Company

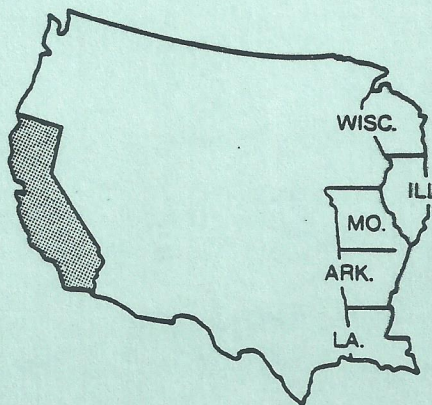
If reading through this manual does not lead to solving a certain maintenance problem, call TELEHELP® at the Atari Customer Service office in your geographical area, as shown below.

## WEST and CENTRAL U.S.A.

### Parts and Service

Atari, Inc.  
California Customer Service Office  
1105 N. Fair Oaks Avenue  
P. O. Box 427, Sunnyvale, CA 94086  
Telex 17-1103  
(Monday-Friday, 7:30-4:00 pm Pacific Time)



-  From California, Alaska, or Hawaii  
(408) 745-2900
-  Service from anywhere in the area shown in white  
toll-free (800) 538-1611

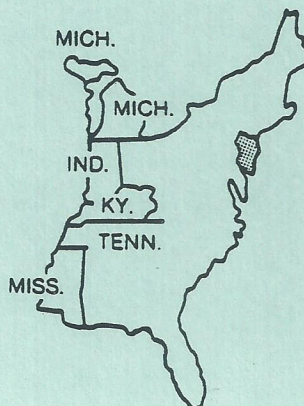


## EAST U.S.A.

### Service only

Atari, Inc.  
New Jersey Customer Service Office  
12A World's Fair Drive, Somerset, NJ 08873  
Telex 37-9347  
(Monday-Friday, 7:30-4:00 pm Eastern time)

-  From New Jersey  
(201) 469-5993
-  From anywhere else in this area  
toll-free (800) 526-3849



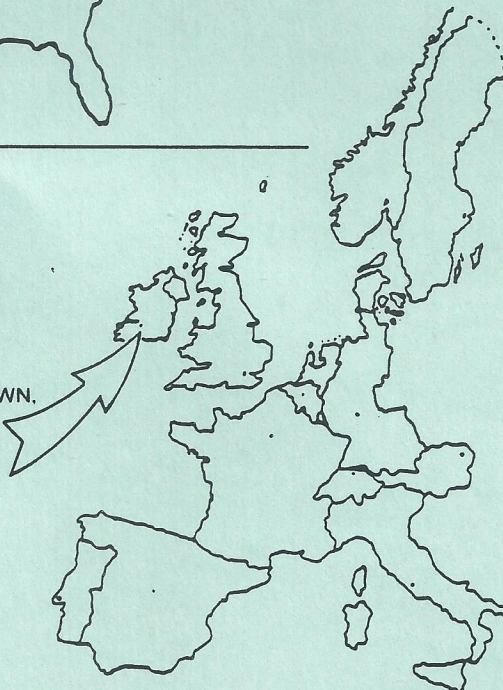
## EUROPE

### Parts and Service

Atari Ireland Limited  
European Customer Service Office  
Tipperary Town, Ireland  
Telex 28165  
(Monday-Friday, 9:00-6:00 pm GMT)

-  062-52155

TIPPERARY TOWN,  
IRELAND



# Table of Contents

## 1 Set Up

Opening the Cocktail Cabinet .....	1
Cocktail Table Legs .....	3

## 2 Illustrated Parts Lists

For a list of all illustrations in this manual, see List of Illustrations

# List of Illustrations

Figure 1	Game Overview—Cocktail Game .....	2
Figure 2	Adjusting the Table Legs .....	3
Figure 3	Cabinet-Mounted Assemblies .....	6
Figure 4	Control Panel and Start-Switch Bracket Assemblies .....	10
Figure 5	Video Display Assembly .....	12
Figure 6	Utility Panel Assembly .....	13
Figure 7	Dual Entry Face Plate Assembly .....	14
	Main Wiring Diagram—Cocktail Game .....	16

### *Illustrated Parts Lists*

Figure 1	Cabinet-Mounted Assemblies .....	6
Figure 4	Control Panel and Start-Switch Bracket Assemblies .....	10
Figure 5	Video Display Assembly .....	12
Figure 6	Utility Panel Assembly .....	13
Figure 7	Dual Entry Face Plate Assembly .....	14

# Set-Up

## Opening the Cocktail Cabinet

### Opening the Table Top

1. To open the cocktail game cabinet, unlock the two key locks located immediately below the table top (see Figure 1).
2. Carefully lift the table top until the support arm locks into place. Do not jam the table top at the end of its upward swing.

### Opening the Access Panel

1. Lift out the steel security bar that secures the panel to the cabinet wall (see Figure 1).
2. The access panel near the bottom of the cabinet will then come out.

### Closing the Table Top

1. Stand opposite the hinged end of the cocktail cabinet and grasp the table top with your right hand.
2. With your left hand, hold down the button at the middle of the support arm and push the center of the support arm down.
3. Gently lower the table top to the closed position.
4. Lock both key locks.

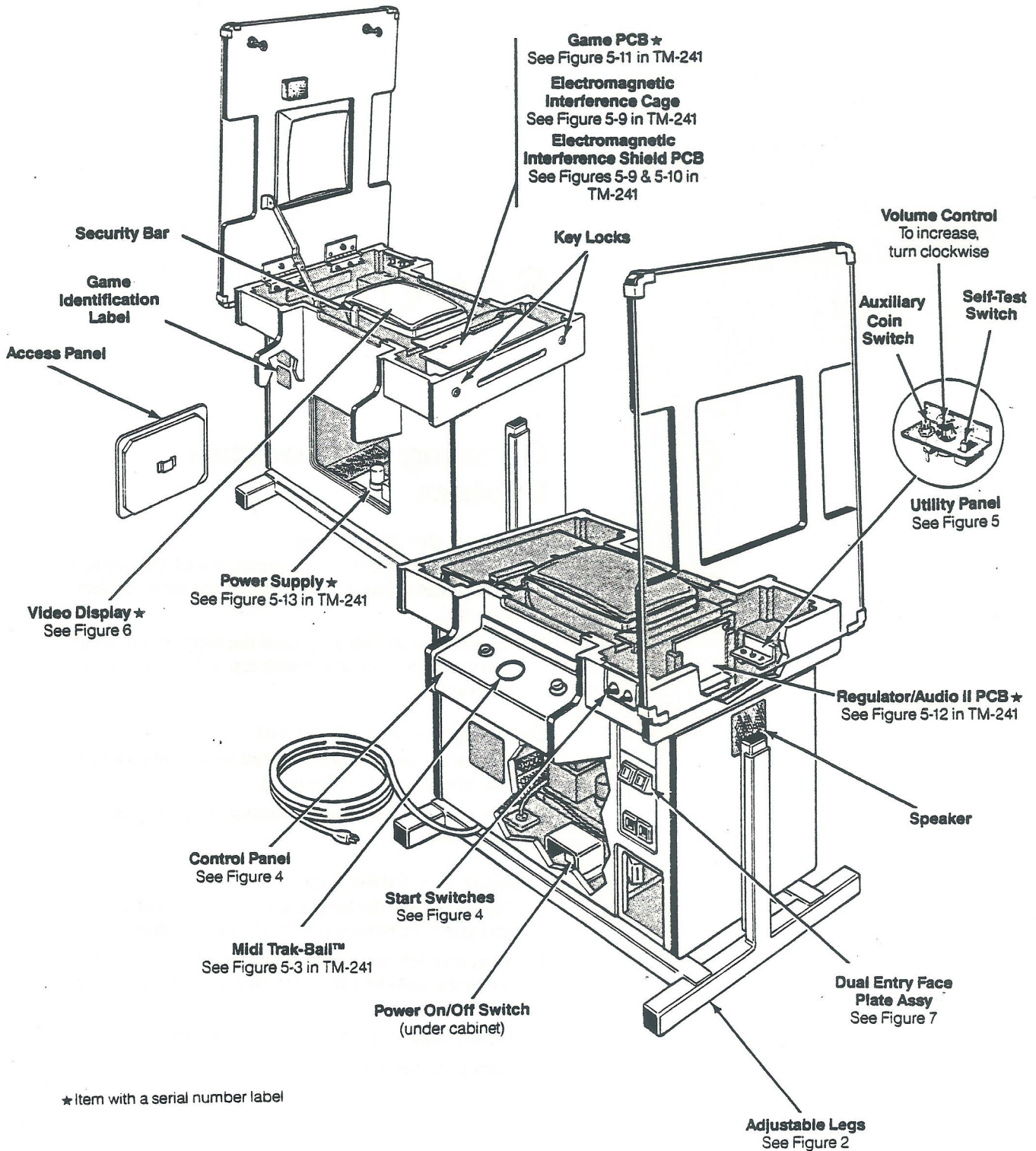


Figure 1 Game Overview—Cocktail Game

## Cocktail Table Legs

This cocktail cabinet may be adjusted to four heights—65, 70, 76, 101 cm (25¾, 27⅞, 30, or 39¾ inches) as shown in Figure 2. Adjust the table height as follows:

1. Remove or empty the coin box to prevent loose coins from sliding out of the box and into the game cabinet.
2. Lay the table on end as shown. Place a support (the coin box, books, or a tool box) under the recessed side of the cabinet.
3. Remove the two Allen-head screws on each leg.
4. Grasp the legs and slide them into the desired position. Replace the screws.



### CAUTION



To ensure cabinet strength, you must use two screws to attach each table leg. Using only one screw may damage the cabinet wall when moving the cabinet across the floor.

Add the following information to TM-241, **Table 1-1 Installation Specifications:**

<i>Cocktail Game</i>	
Space Required	62 ¼ x 82 ½ cm (24 ½ x 32 ½ in.)
Game Height	65 to 101 cm (25 ¾ to 39 ¾ in.)

Add the following note to TM-241, Figure 1-2 Voltage-Selection Plug and Fuse Locations:

### NOTE

The cocktail game also uses the 7A, 250 V fuse at F1.

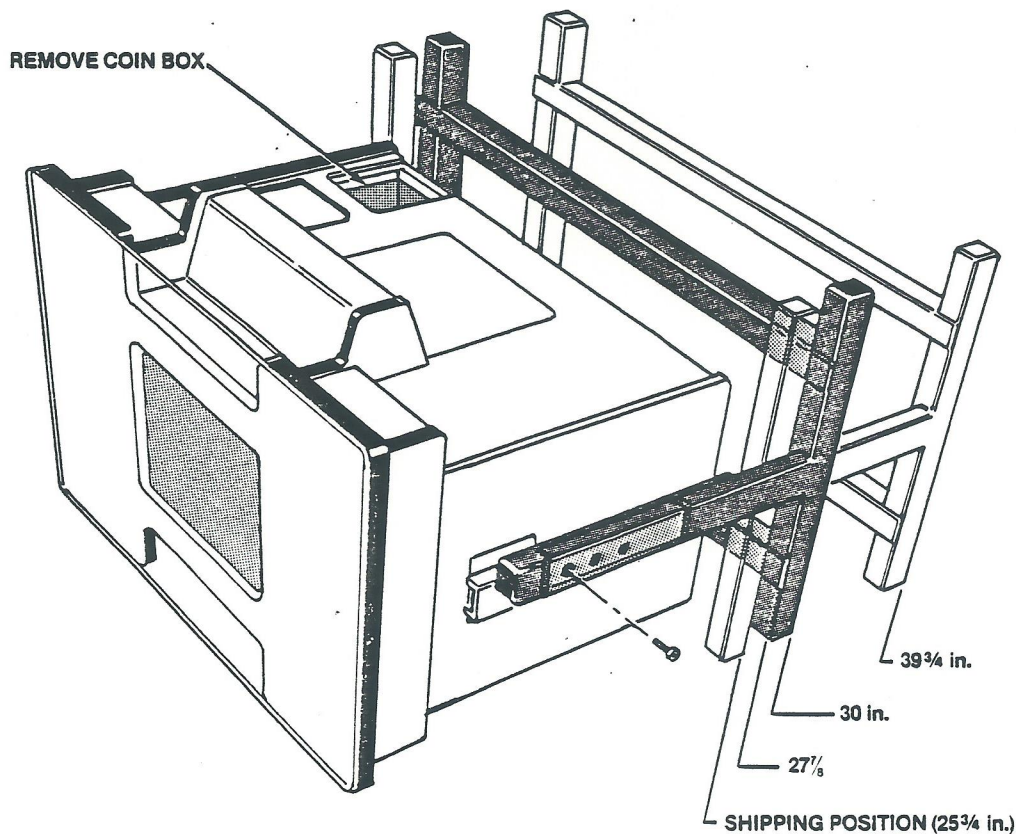
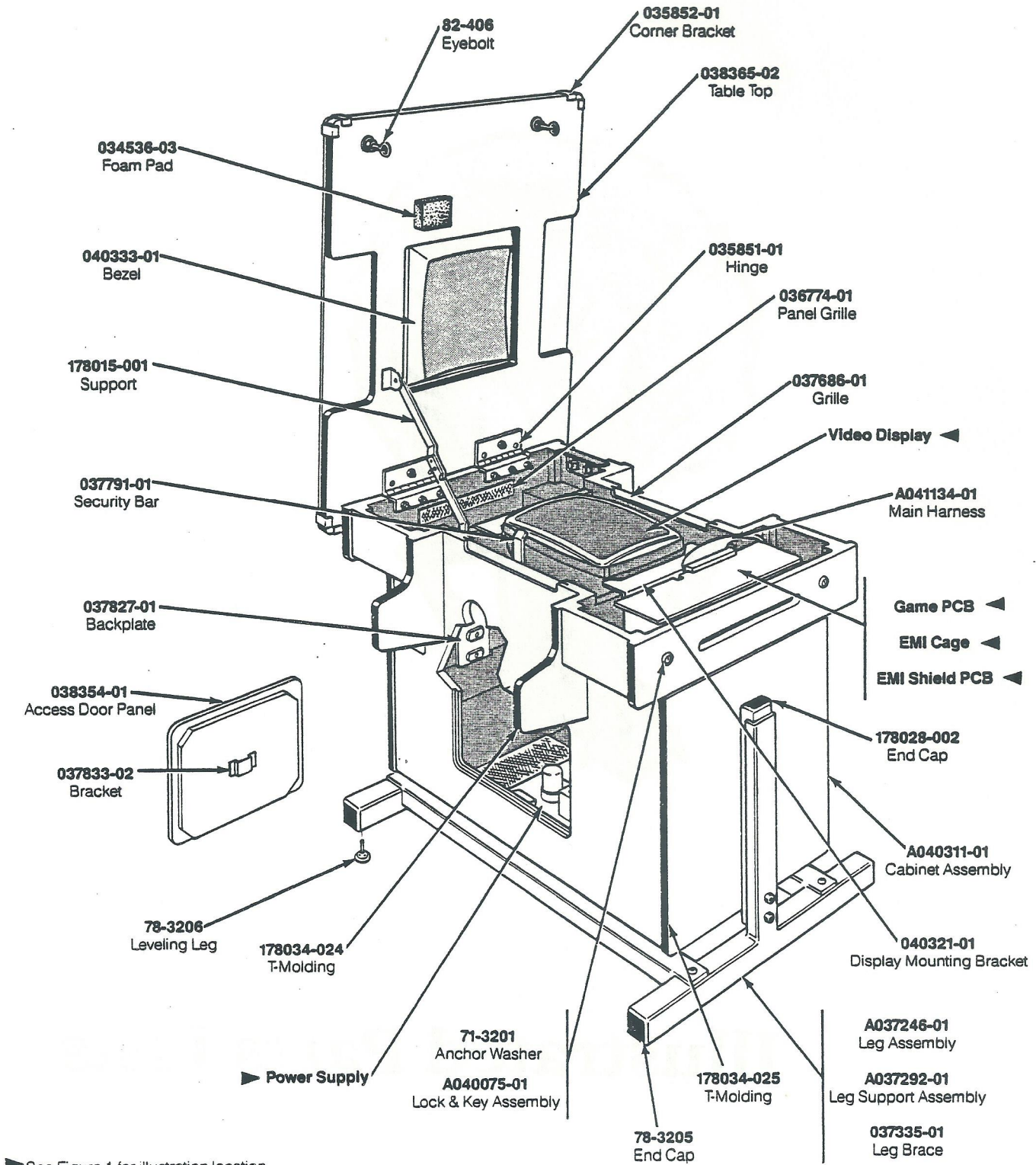


Figure 2 Adjusting the Table Legs



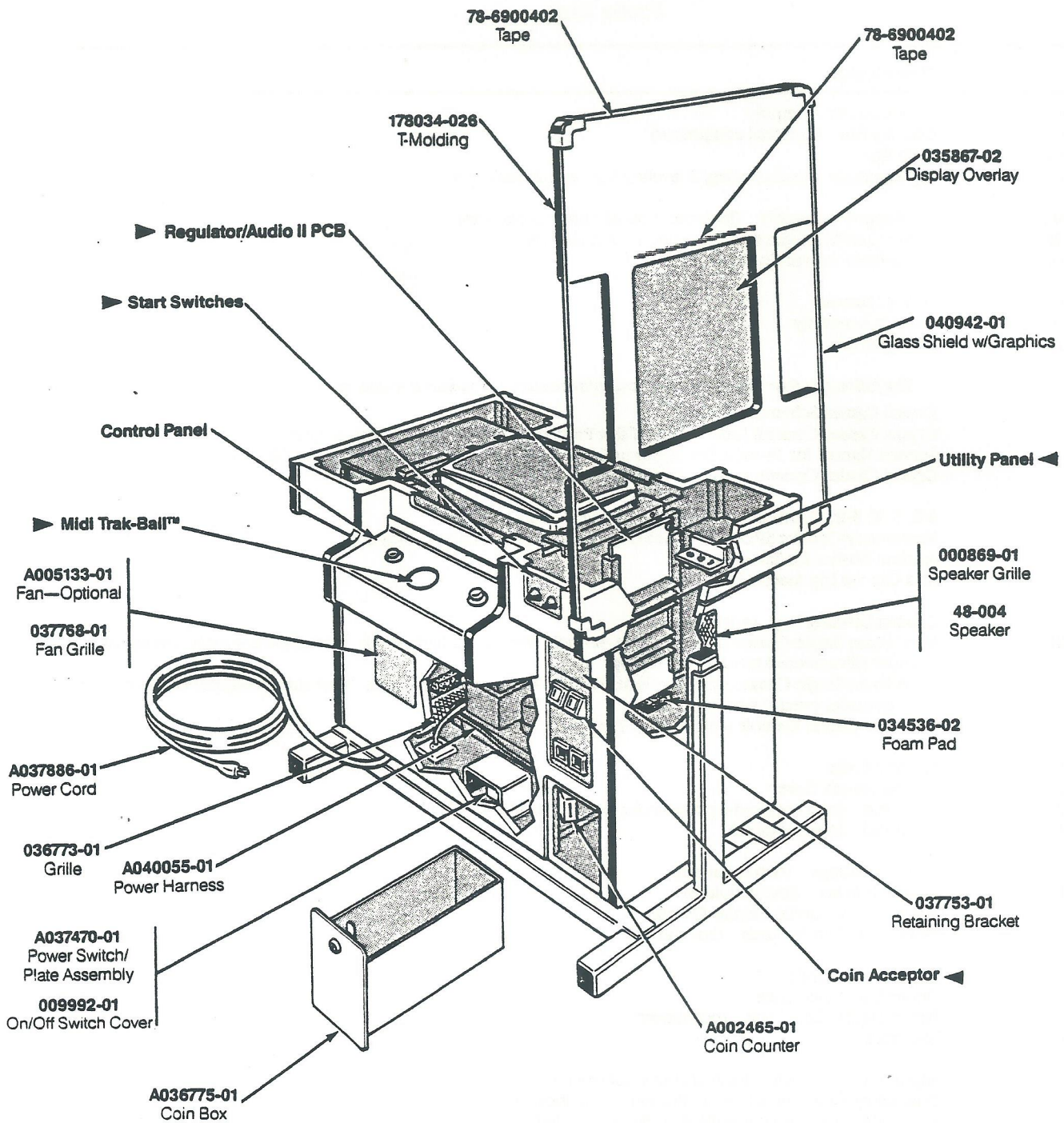
# **Illustrated Parts Lists**

**Chapter 2**



**Figure 3 Cabinet-Mounted Assemblies**  
**Cocktail Game A040941-01 A**





▶ See Figure 1 for illustration location.

**Figure 3 Cabinet-Mounted Assemblies, continued**  
**Cocktail Game A040941-01 A**

## Cabinet-Mounted Assemblies, Cocktail Game Parts List

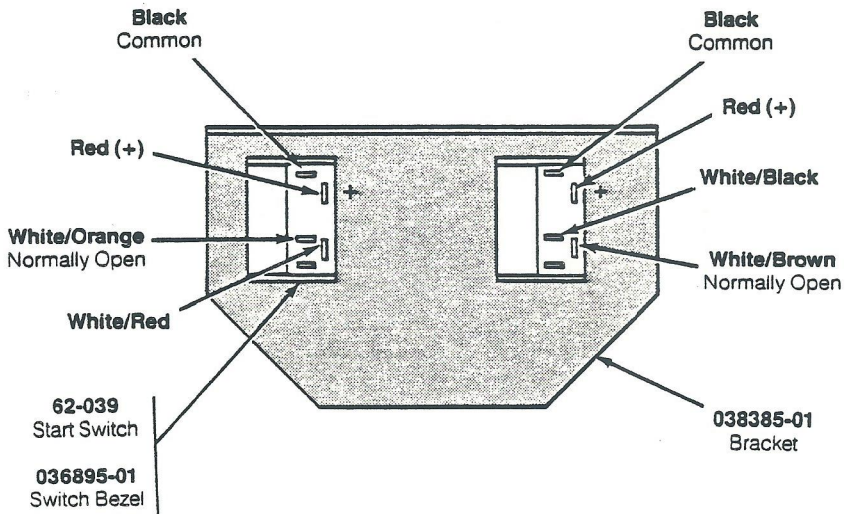
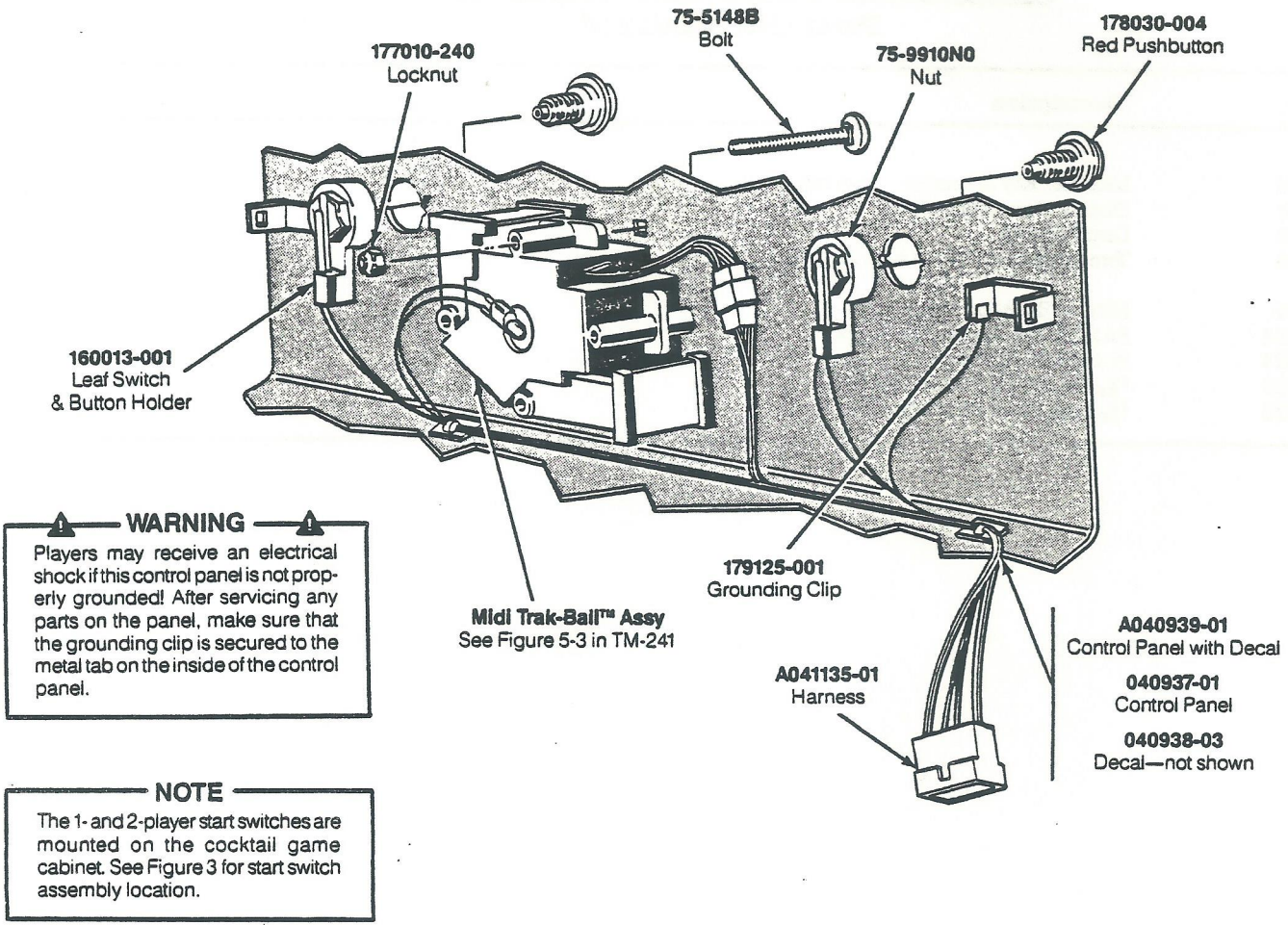
Part No.	Description
A002465-01	Coin Counter Assembly
A005133-01	Cooling Fan (optional equipment)
A036775-01	Coin Box
A037246-01	Leg Assembly (includes leg, 2 leveling legs, and 2 end caps)
A037292-01	Leg Support Assembly (includes 2 panel nuts and end cap)
A037470-01	Power On/Off Switch and Mounting Plate Assembly
A037886-01	Strain-Relief Power Cord (U.S.)
A040055-01	Power Harness
A040311-01	Cabinet Assembly
A041134-01	Main Harness
<i>The following four items are technical information supplements to this game:</i>	
SP-241	Crystal Castles Schematic Package
ST-241	Crystal Castles Cocktail Label with Self-Test Procedures and Option Switch Settings
TM-187	Service Manual for 14-Inch Electrohome Color Raster Display (use with part no. 92-056)
TM-241	Crystal Castles Operators Manual with Illustrated Parts Lists
48-004	8 $\Omega$ , 5 W, 5-Inch Round High-Fidelity Speaker (not shown)
62-039	Momentary-Contact SPDT Light-Emitting Diode Start Switch with Red Cap
71-3201	Anchor Washer for Table-Top Lock
78-3205	End Cap for Leg Assembly
78-3206	Cabinet-Leveling Leg (not shown)
78-6900401	Vinyl Foam Single-Coated Adhesive Tape, 1/4-Inch Wide $\times$ 1/16-Inch Thick (not shown—apply 126 inches under silk-screened border of table top)
78-6900402	Vinyl Foam Single-Coated Adhesive Tape, 1/4-Inch Wide $\times$ 1/16-Inch Thick (not shown—apply two 6-inch strips under overlay border)
82-406	#1/4-20 $\times$ 2-Inch Eyebolt with 3/4-Inch Threads
000869-01	Speaker Grille
009992-01	On/Off Switch Cover
034536-02	Foam Pad (two required—place under Regulator/Audio II PCB)
034536-03	Foam Pad (two required)
035851-01	Table Top Hinge (two required)
035852-01	Corner Bracket (four required)
035867-02	Smoke-Color Acrylic Display Overlay
036764-01	Hook-Type Cam for Lock (not shown)
036773-01	Cabinet Base Grille
036774-01	Upper End-Panel Grille
037243-01	Power Supply Base Plate (not shown)
037335-01	Leg Brace
037686-01	Slip-In Cabinet Grille (located above control panels)
037753-01	Dual Entry Face Plate Retaining Bracket (not shown)
037768-01	Fan Grille (used as vent grille if no fan is included)
037791-01	Security Bar
037827-01	Back Plate for Attaching Leg
037833-02	Security Bar Bracket
038354-01	Access Panel
038365-02	Table Top

**Cabinet-Mounted Assemblies, Cocktail Game  
Parts List, continued**

---

<b>Part No.</b>	<b>Description</b>
040075-01	Lock and Key Assembly (two required)
040321-01	Display Mounting Bracket
040333-01	Display Bezel
040942-01	Tempered-Glass Shield with Graphics
178015-001	Hinged Table-Top Support
178028-002	End Cap for Upright Leg Support
178034-024	3/4-Inch Black Plastic T-Molding
178034-025	2 1/2-Inch Black Plastic T-Molding
178034-026	1 1/6-Inch Black Plastic T-Molding

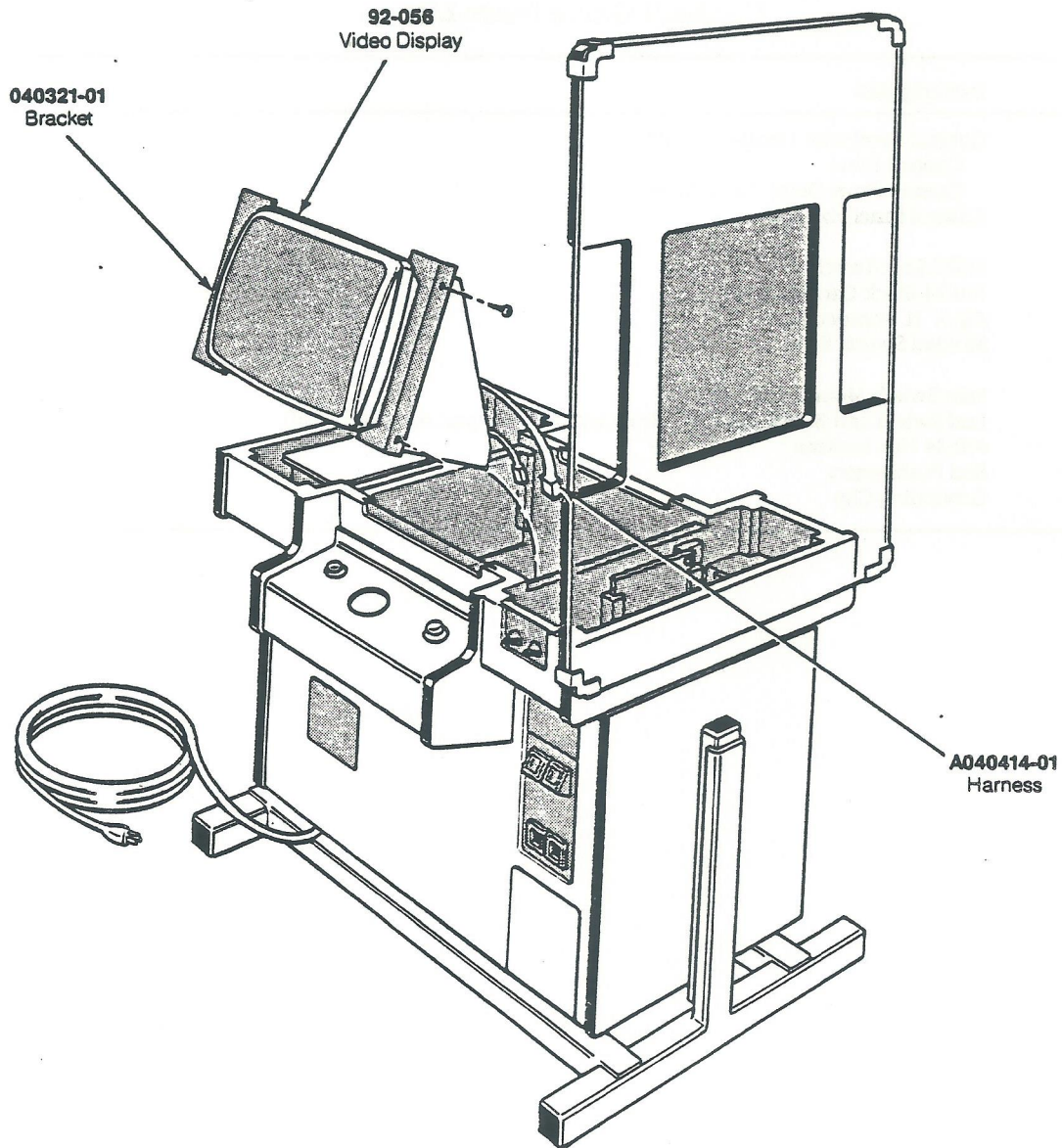
---



**Figure 4 Control Panel Assembly A040940-01 A  
Start-Switch Bracket Assembly A038384-01 A  
Cocktail Game**

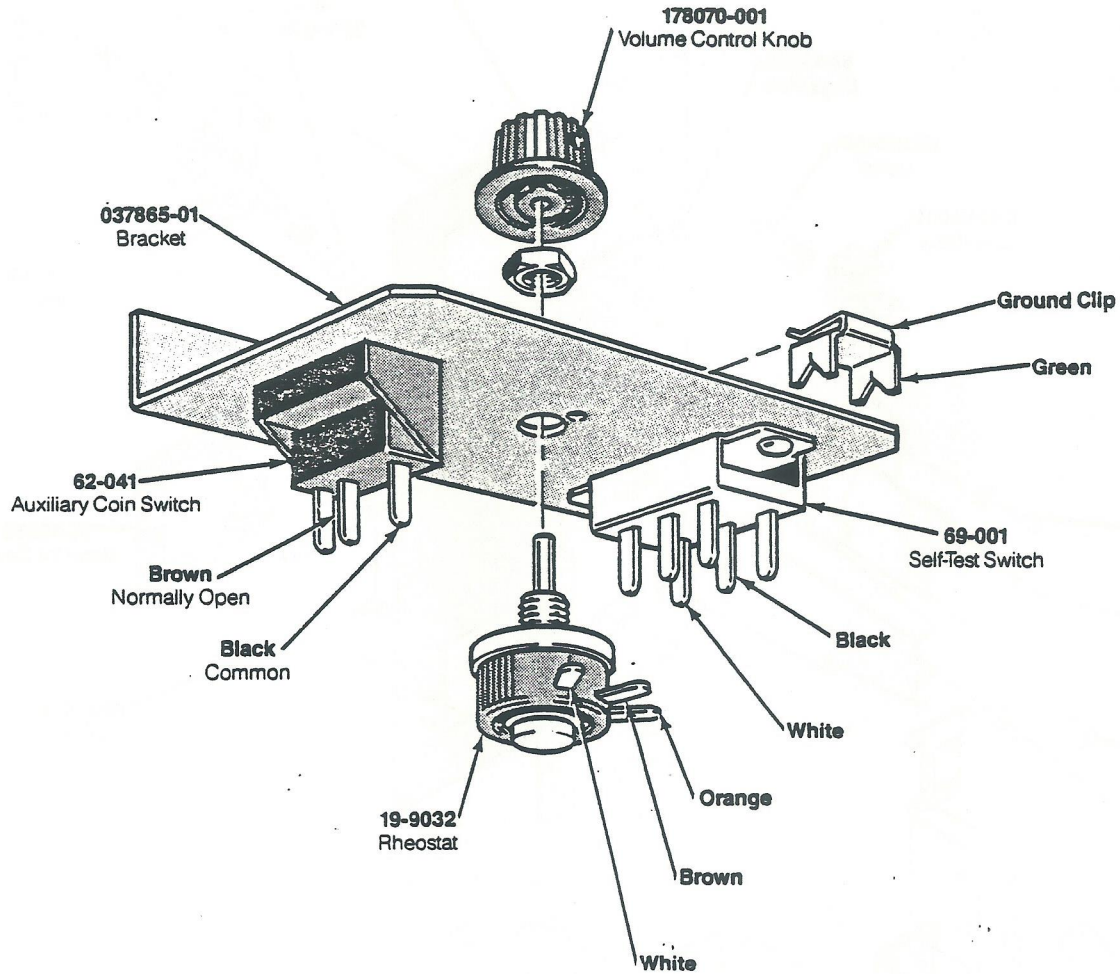
## Control Panel and Start Switch Bracket Assemblies Cocktail Game Parts List

Part No.	Description
A040939-01	Control Panel with Decal—includes
040937-01	Control Panel
040938-03	Control Panel Decal (not shown)
A041135-01	Control Panel Harness
62-039	SPDT Start Switch
75-5148B	#10-24 Black Carriage Bolt
75-9910N0	# $\frac{3}{8}$ × 11 Stamped Nut
036895-01	Molded Switch Bezel
038385-01	Start-Switch Mounting Bracket
160013-001	Leaf Switch and Button Holder (leaf switch only is part no. 160012-001)
177010-240	#10-24 Hex Locknut
178030-004	Red Pushbutton
179125-001	Grounding Clip



**Figure 5 Video Display Assembly  
Cocktail Game A040315-01 A  
Parts List**

Part No.	Description
A040414-01	Display Harness
92-056	14-Inch Electrohome Color Raster-Scan Video Display
040321-01	Display Mounting Bracket
040333-01	Display Bezel (not shown)



**Figure 6 Utility Panel Assembly  
Cocktail Game A037866-01 D  
Parts List**

Part No.	Description
19-9032	50 $\Omega$ , 12.5 W, Wirewound Rheostat
62-041	SPDT Momentary-Contact Push-button Auxiliary Coin Switch with Black Cap
69-001	DPDT Self-Test Slide Switch
72-6008S	10-32 x 1/2-Inch Thread-Forming Pan-Head Screw (not shown)
75-9910W0	1/32-32 Stamped Nut (not shown)
037865-01	Utility Panel Bracket
178070-001	Volume Control Knob

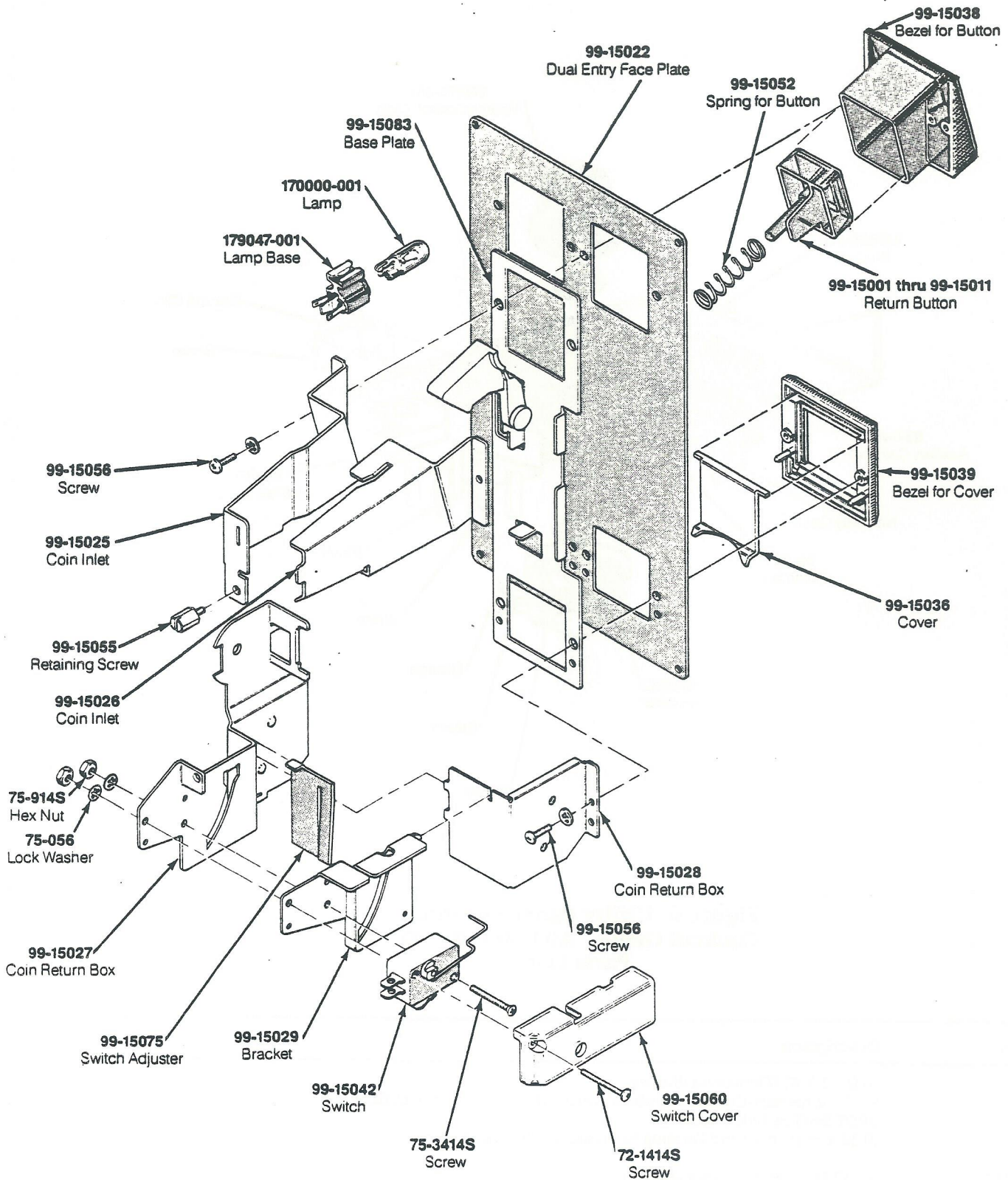


Figure 7 Dual Entry Face Plate Assembly, Cocktail Game  
171050-xxx A

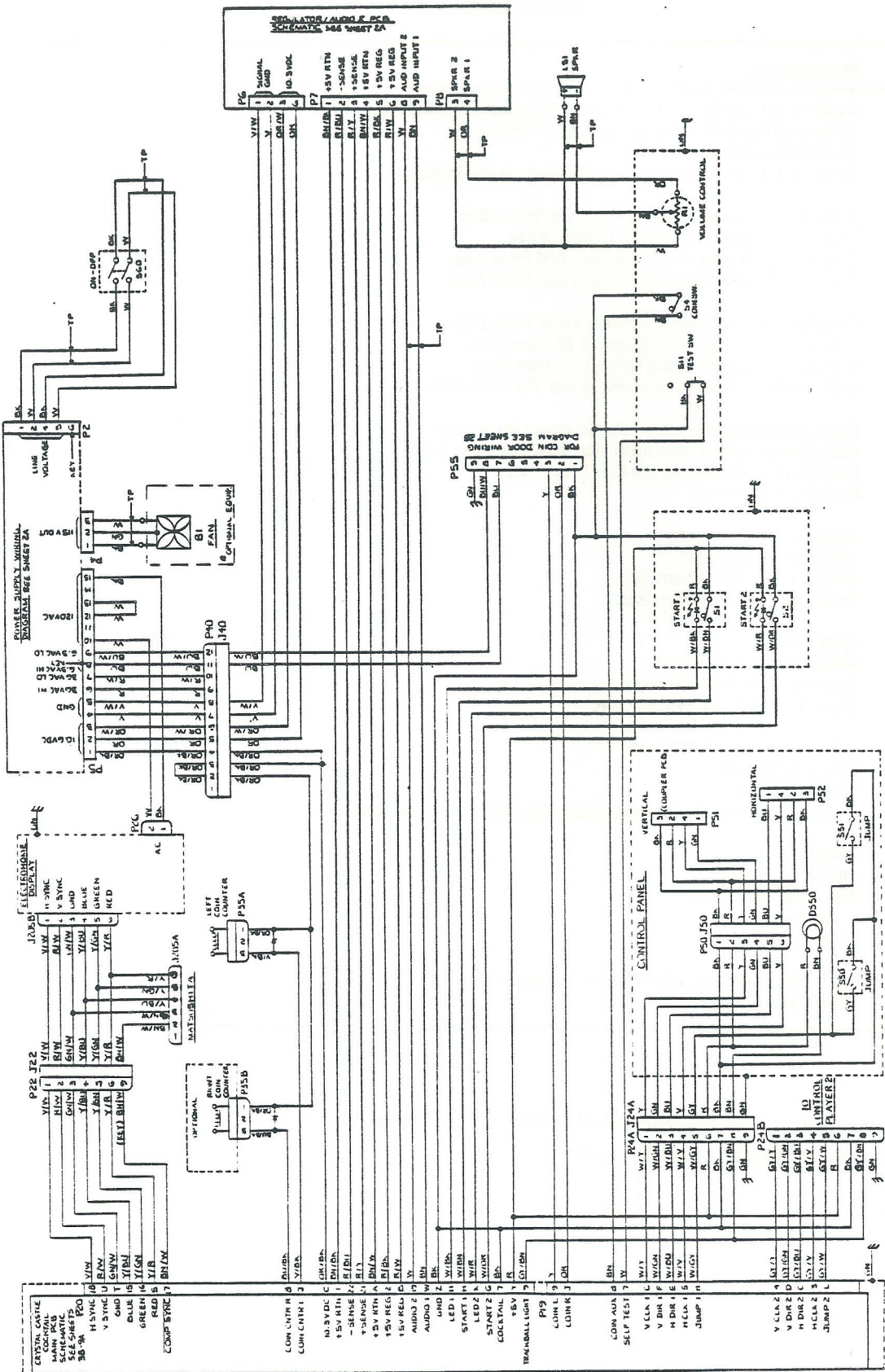


## Dual Entry Face Plate Assembly Parts List

Part No.	Description
72-1414S	#4-40 × 7/8-Inch Cross-Recessed Pan-Head Steel Machine Screw
75-056	#6 Internal-Tooth Zinc-Plated Steel Lock Washer
75-914S	#4-40 Steel Machine Hex Nut
75-3414S	#4-40 × 7/8-Inch Cross-Recessed Flat-Head Steel Machine Screw
99-15001	Coin Return Button with U.S. 25 Cents Price Plate
99-15002	Coin Return Button with U.S. \$1 Price Plate
99-15003	Coin Return Button with German 1 DM Price Plate
99-15004	Coin Return Button with German 2 DM Price Plate
99-15005	Coin Return Button with German 5 DM Price Plate
99-15006	Coin Return Button with Belgian 5 Fr Price Plate
99-15007	Coin Return Button with French 1 Fr Price Plate
99-15008	Coin Return Button with Japanese 100 Yen Price Plate
99-15009	Coin Return Button with British 10 Pence Price Plate
99-15010	Coin Return Button with Australian 20 Cents Price Plate
99-15011	Coin Return with Italian 100 Lire Price Plate
99-15022	Dual Entry Face Plate
99-15025	Right Half of Coin Inlet
99-15026	Left Half of Coin Inlet
99-15027	Side Plate of Coin Return Box
99-15028	Base Plate of Coin Return Box
99-15029	Switch Bracket
99-15036	Metal Coin Return Cover
99-15038	Bezel for Coin Return Button
99-15039	Metal Bezel for Coin Return Cover
99-15042	Coin Switch for U.S. 25 cents
99-15052	Spring for Button
99-15055	Retaining Screw
99-15056	#4-40 × 7/8-Inch Cross-Recessed Pan-Head Steel Machine Screw
99-15060	Switch Cover
99-15075	Switch Adjuster
99-15083	Base Plate—includes
99-15040	Lever
99-15054	Pivot for Lever
170000-001	6.3 V Miniature Wedge-Base Incandescent Lamp
179047-001	Lamp Base

Add the following information to TM-241, Figure 5-13 Power Supply Assembly:

- The Cocktail Game Power Supply Assembly number is A037672-01 E.
- Add Transformer Assembly part number A035888-03.



Main Wiring Diagram—Cocktail Game

